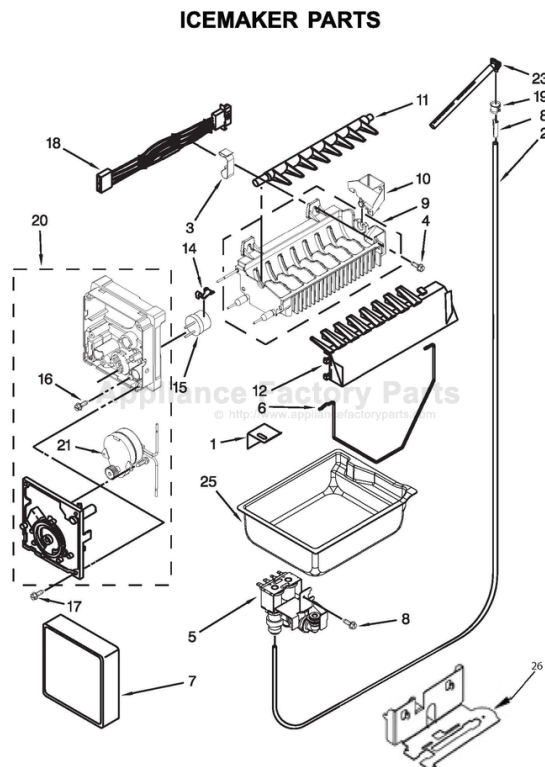


This Owner's Manual is provided and hosted by [Appliance Factory Parts](http://ApplianceFactoryParts.com).



VIKING VCFF236SS003_1 Owner's Manual

[Shop genuine replacement parts for VIKING
VCFF236SS003_1](#)



[Find Your VIKING Refrigerator Parts - Select From 341 Models](#)

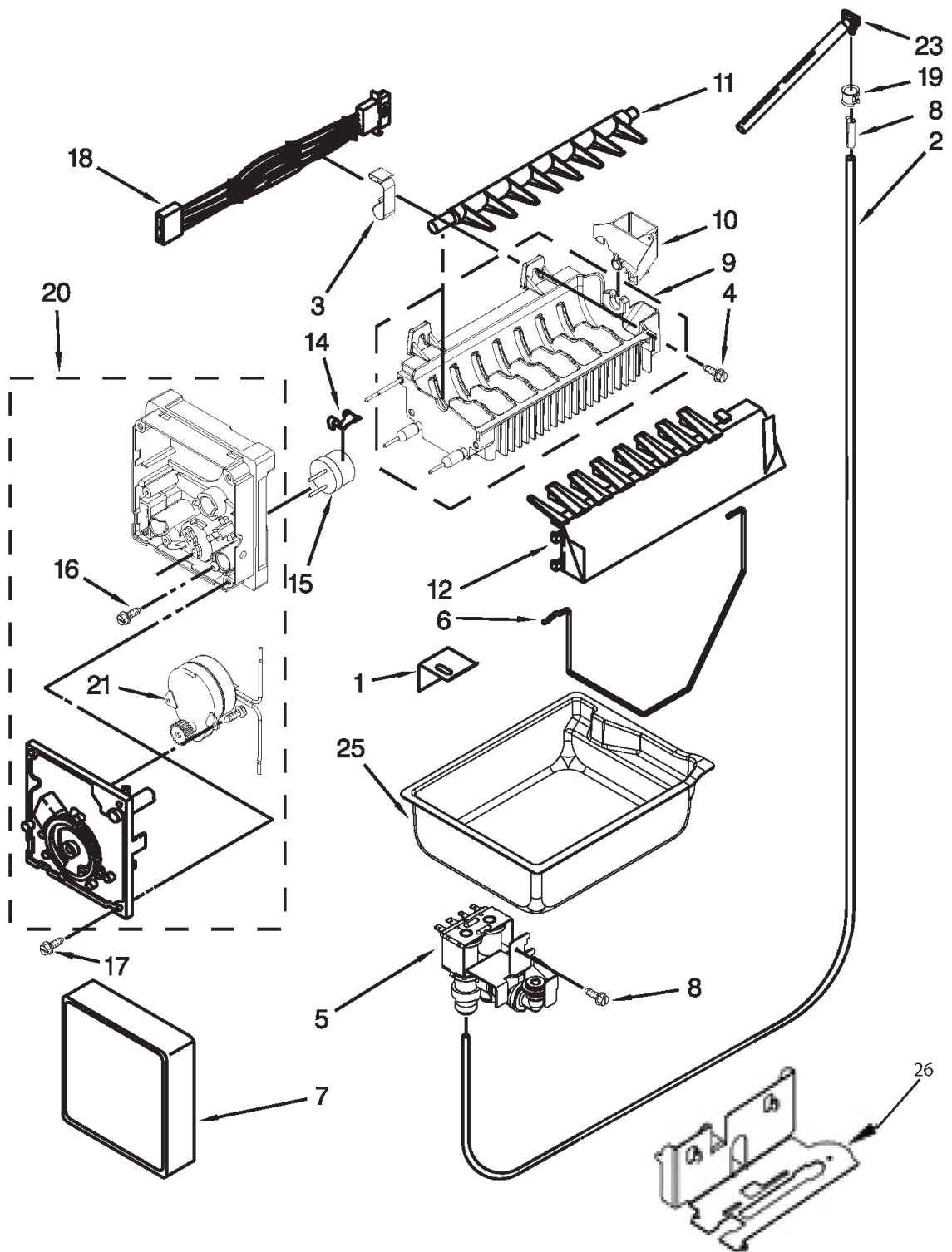
----- Manual continues below -----

VCFF236SS03

36" WIDE FRENCH DOOR BOTTOM FREEZER SS

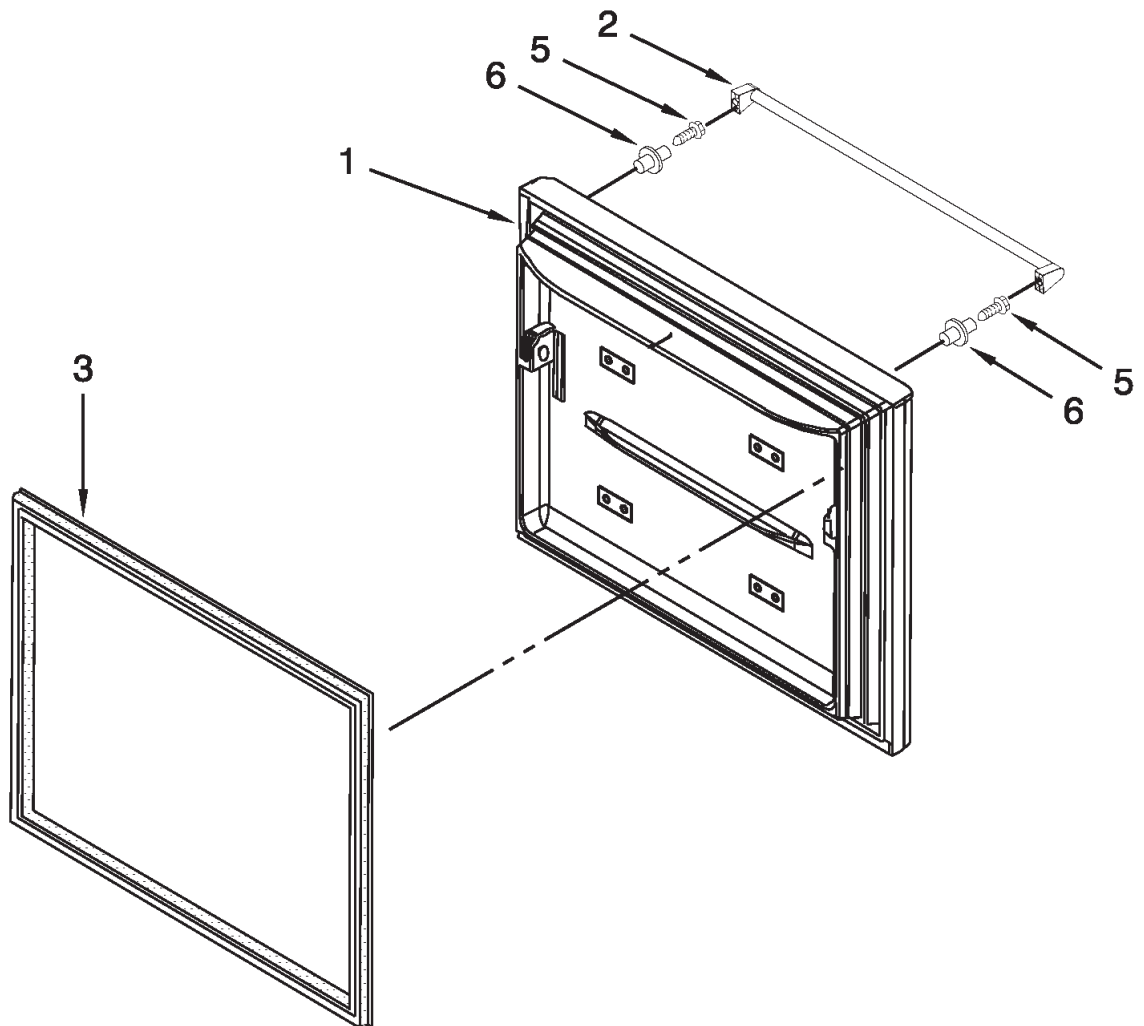
| | |
|---------------------------------|---|
| VCFF236SS03 Icemaker | 1 |
| VCFF236SS03 Freezer Door | 2 |
| VCFF236SS03 Shelf | 3 |
| VCFF236SS03 Unit | 4 |
| VCFF236SS03 Refrig Door | 5 |
| VCFF236SS03 Refrig Liner | 6 |
| VCFF236SS03 Freezer Liner | 7 |
| VCFF236SS03 Cabinet | 8 |
| Appendix A:Pages Index | A |
| Appendix B:Parts Index | B |

ICEMAKER PARTS



| Item | Part No. | Name | Qty | Uom | NOTES |
|------|------------|------------------------------------|-----|-----|-------|
| 1 | 011577-000 | BRACKET, ICE MAKER | 1 | EA | |
| 2 | 021789-000 | TUBING, PLASTIC | 1 | EA | |
| 3 | 022170-000 | CLAMP | 1 | EA | |
| 4 | 047039-000 | Screw (2) | 2 | EA | |
| 5 | 034536-000 | VALVE-INLET | 1 | EA | |
| 6 | 053808-000 | Arm?Shut Off | 1 | EA | |
| 7 | 039246-000 | COVER, ICE MAKER | 1 | EA | |
| 8 | PS400178 | INSERT, TUBE | 1 | EA | |
| 9 | 022658-000 | MOLD & HEATER ASSEMBLY | 1 | EA | |
| 10 | 053809-000 | Cup Water Fill | 1 | EA | |
| 11 | 022664-000 | ICE EJECTOR | 1 | EA | |
| 12 | 022659-000 | ICE STRIPPER | 1 | EA | |
| 14 | 017065-000 | CLIP | 1 | EA | |
| 15 | 047041-000 | Thermostat (also order 047034-000) | 1 | EA | |
| 16 | 011587-000 | SCREW | 1 | EA | |
| 17 | 011588-000 | SCREW | 1 | EA | |
| 18 | 039247-000 | HARNESS, ICE MAKER | 1 | EA | |
| 19 | PS400181 | CLIP, SPEED (M0114003) | 1 | EA | |
| 20 | 053811-000 | Module Assembly (Includes Item 21) | 1 | EA | |
| 21 | N/A | Motor (Not Available, Order #20) | | EA | |
| 23 | 053812-000 | Elbow, Fill Tube | 1 | EA | |
| 25 | 034519-000 | PAN, ICE | 1 | EA | |
| NI | 034541-000 | ICE MAKER ASSY | 1 | EA | |
| 26 | 057336-000 | ICEMAKER BRACKET | 1 | EA | |

VCFF236SS03 Freezer Door

FREEZER DOOR

01/18/2013

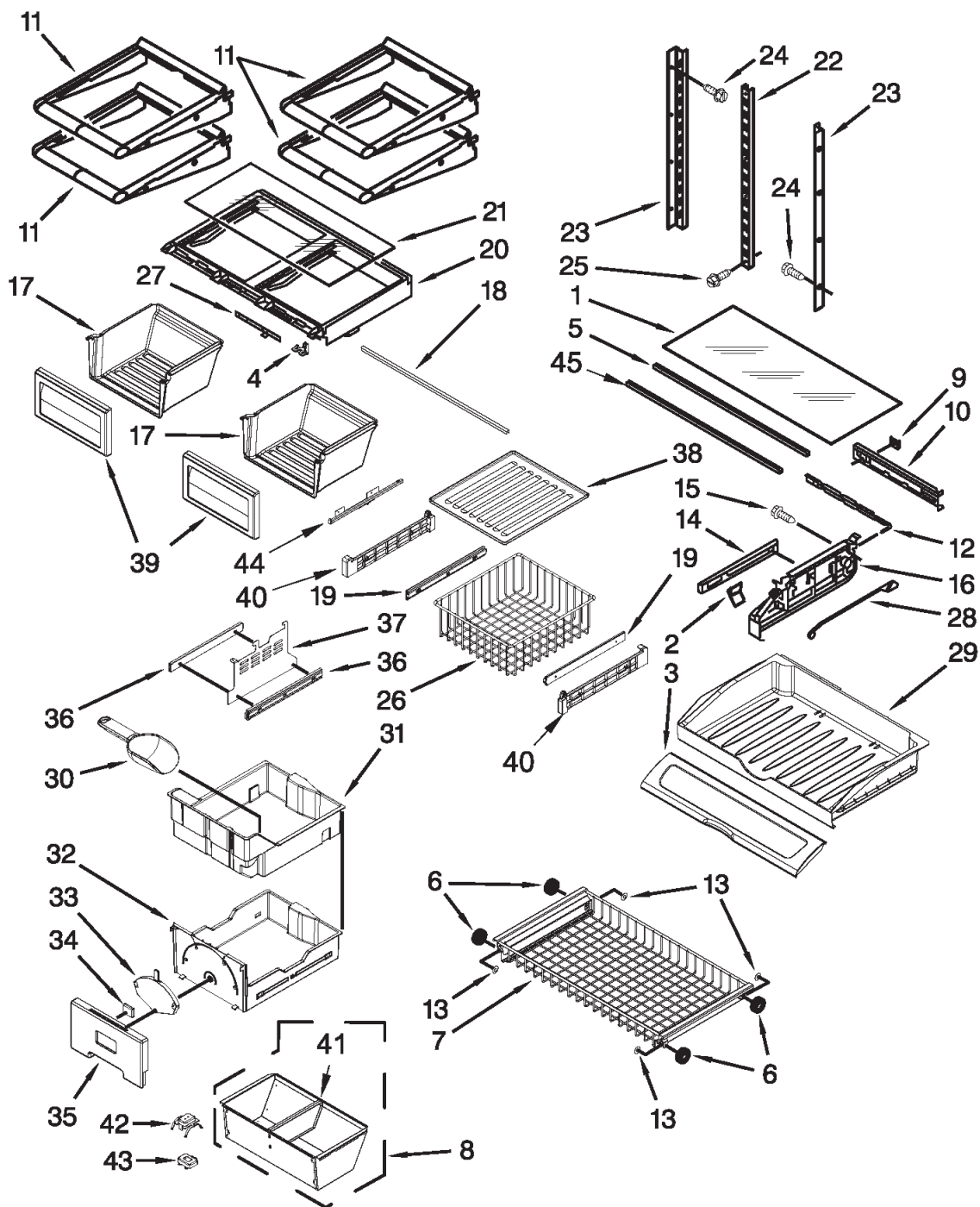
14

Part No. W10575409 Rev. A



| Item | Part No. | Name | Qty | Uom | NOTES |
|---|------------|---------------------------------------|-----|-----|-------|
| 1 | 034493-000 | DOOR, FREEZER (SS) | 1 | EA | |
| Comments for Part Num. 034493-000 | | | | | |
| olsonservice@frontier.com on Apr 8, 2016 | | | | | |
| This gasket is black, not grey as shown for the refrigerator section. As far as we can tell, the grey gasket for this freezer is part# 039240-000 | | | | | |
| 2 | 034483-000 | HANDLE, DOOR (STAINLESS) | 1 | EA | |
| 3 | 021869-000 | GASKET, FREEZER DOOR (APOLLO GREY) | 1 | EA | |
| 5 | 021598-000 | SCREW, HANDLE | 2 | EA | |
| 6 | 021567-000 | STUD, HANDLE | 2 | EA | |

SHELF PARTS



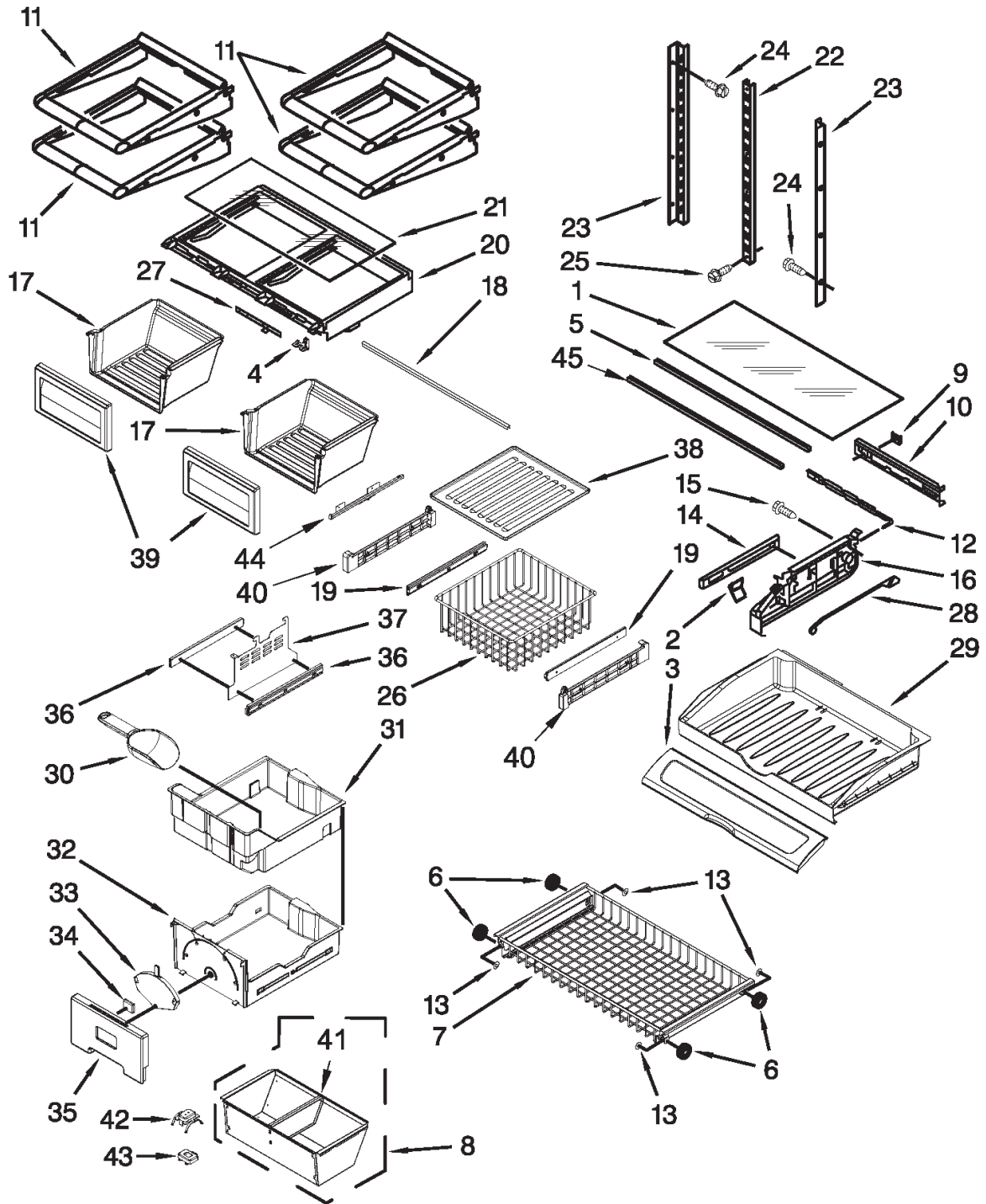
01/18/2013

12

Part No. W10575409 Rev. A

| Item | Part No. | Name | Qty | Uom | NOTES |
|-----------|------------|-------------------------|-----|-----|--|
| 1 | 021911-000 | GLASS, PANTRY | 1 | EA | |
| 2 | 053807-000 | Knob, Temp Control | 1 | EA | |
| 3 | 034508-000 | DOOR, PANTRY DRAWER | 1 | EA | |
| 4 | 034534-000 | SLIDE, HUMIDITY CONTROL | 1 | EA | |
| 5 | 028715-000 | BRACE, PANTRY | 1 | EA | |
| 6 | 034510-000 | ROLLER, BASKET | 4 | EA | |
| 7 | 034511-000 | BASKET, MIDDLE | 1 | EA | |
| 8 | 034512-000 | BIN ASSEMBLY | 1 | EA | |
| 9 | 021678-000 | GASKET, PANTRY | 1 | EA | |
| 10 | 021677-000 | HOUSING, CONTROL | 1 | EA | |
| 11 | 034530-000 | SHELF, STATIONARY | 4 | EA | |
| 12 | 021676-000 | SLIDE TEMPERATURE | 1 | EA | |
| 13 | 034509-000 | NUT, BASKET ROLLER | 4 | EA | |
| 14 | 034503-000 | GLIDE, DRAWER LEFT | 1 | EA | |
| Not Shown | 034504-000 | GLIDE, DRAWER RIGHT | 1 | EA | |
| 15 | 021711-000 | SCREW | 1 | EA | |
| 16 | 034505-000 | END CAP, PANTRY LEFT | 1 | EA | |
| Not Shown | 034506-000 | END CAP, PANTRY RIGHT | 1 | EA | |
| 17 | 034528-000 | CRISPER PAN | 2 | EA | |
| 18 | 063885-000 | BRACE, CRISPER FRAME | 1 | EA | |
| 19 | 034522-000 | GLIDE, UPPER BASKET | 2 | EA | |
| 20 | 034529-000 | FRAME, CRISPER | 1 | EA | |
| 21 | 034532-000 | GLASS, CRISPER COVER | 1 | EA | |
| 22 | 021846-000 | LADDER, CENTER | 1 | EA | |
| 23 | 021838-000 | LADDER, RH / LH | 2 | EA | Not available online / Call for pricing and availability |
| 24 | 021719-000 | SCREW | 8 | EA | |
| 25 | 021723-000 | SCREW | 4 | EA | |
| 26 | 034523-000 | BASKET, UPPER | 1 | EA | |
| 27 | 034531-000 | SLIDE, HUMIDITY CONTROL | 1 | EA | |
| 28 | 021675-000 | ROD, TEMP CONTROL | 1 | EA | |

SHELF PARTS



01/18/2013

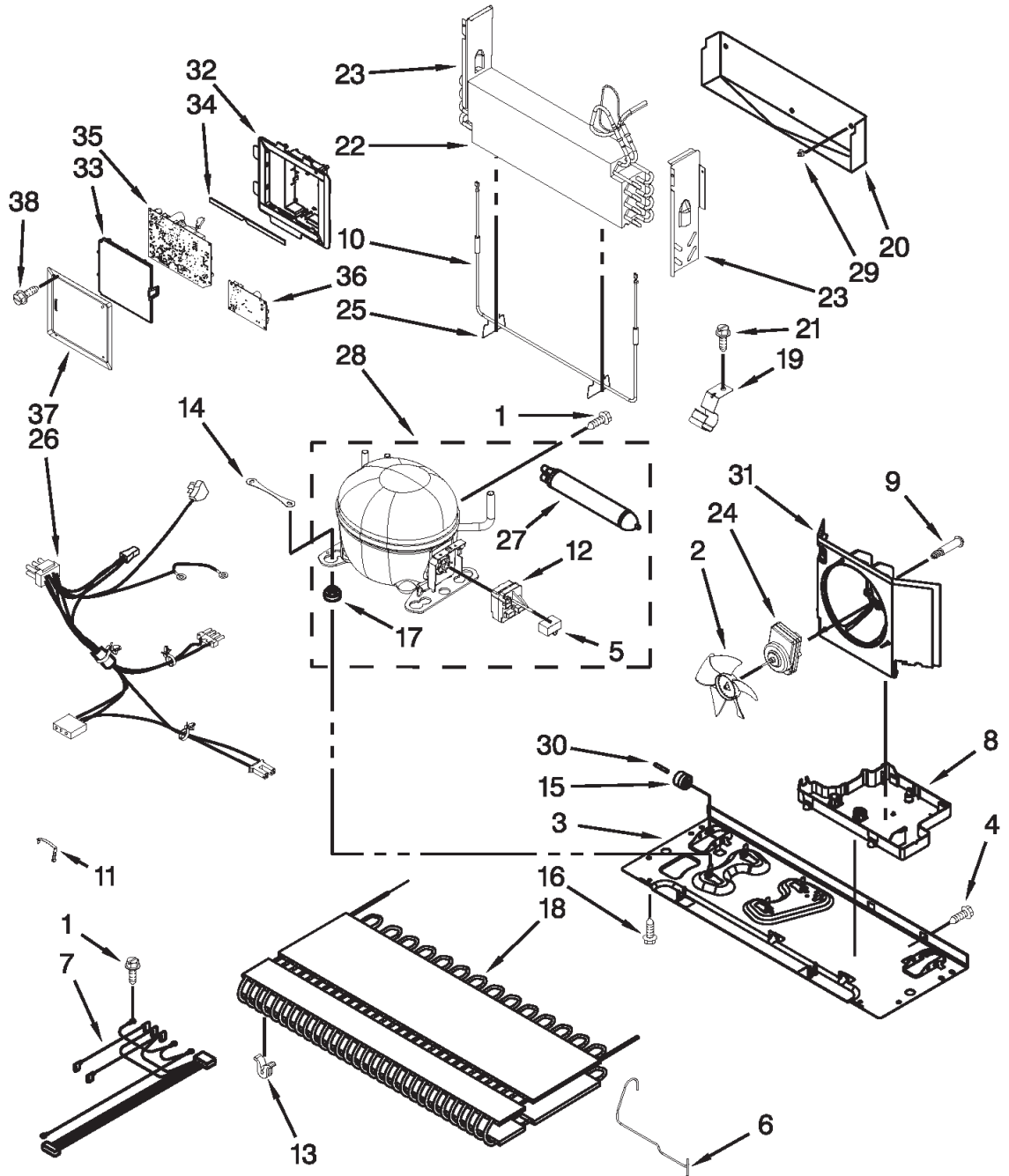
12

Part No. W10575409 Rev. A



| Item | Part No. | Name | Qty | Uom | NOTES |
|-----------|------------|--------------------------------|-----|-----|-------|
| 29 | 034507-000 | DRAWER, PANTRY | 1 | EA | |
| 30 | 034520-000 | SCOOP, ICE PAN | 1 | EA | |
| 31 | 034537-000 | PAN, ICE | 1 | EA | |
| 32 | 034518-000 | CARRIER, ICE PAN | 1 | EA | |
| 33 | 034517-000 | LEVER, ICE PAN | 1 | EA | |
| 34 | 034526-000 | LATCH, MAGNET | 1 | EA | |
| 35 | 034515-000 | FRONT, ICE PAN | 1 | EA | |
| 36 | 039245-000 | GLIDE, ICE PAN | 2 | EA | |
| 37 | 034525-000 | SUPPORT, FZ DOOR | 1 | EA | |
| 38 | 034535-000 | MAT, UPPER BASKET | 1 | EA | |
| 39 | 039244-000 | FRONT, CRISPER | 2 | EA | |
| 40 | 034524-000 | ADAPTER BASKET, LEFT | 2 | EA | |
| Not Shown | 034521-000 | ADAPTER BASKET, RIGHT | 1 | EA | |
| 41 | 051883-000 | DIVIDER, CENTER BIN | 1 | EA | |
| 42 | 034514-000 | LATCH, COUPLER | 1 | EA | |
| 43 | 034513-000 | HOUSING, COUPLER | 1 | EA | |
| 44 | 050362-000 | Slide, Crisper Pan, Left Hand | 1 | EA | |
| Not Shown | 050363-000 | Slide, Crisper Pan, Right Hand | 1 | EA | |
| 45 | 021773-000 | SUPPORT, PANTRY | 1 | EA | |

UNIT PARTS



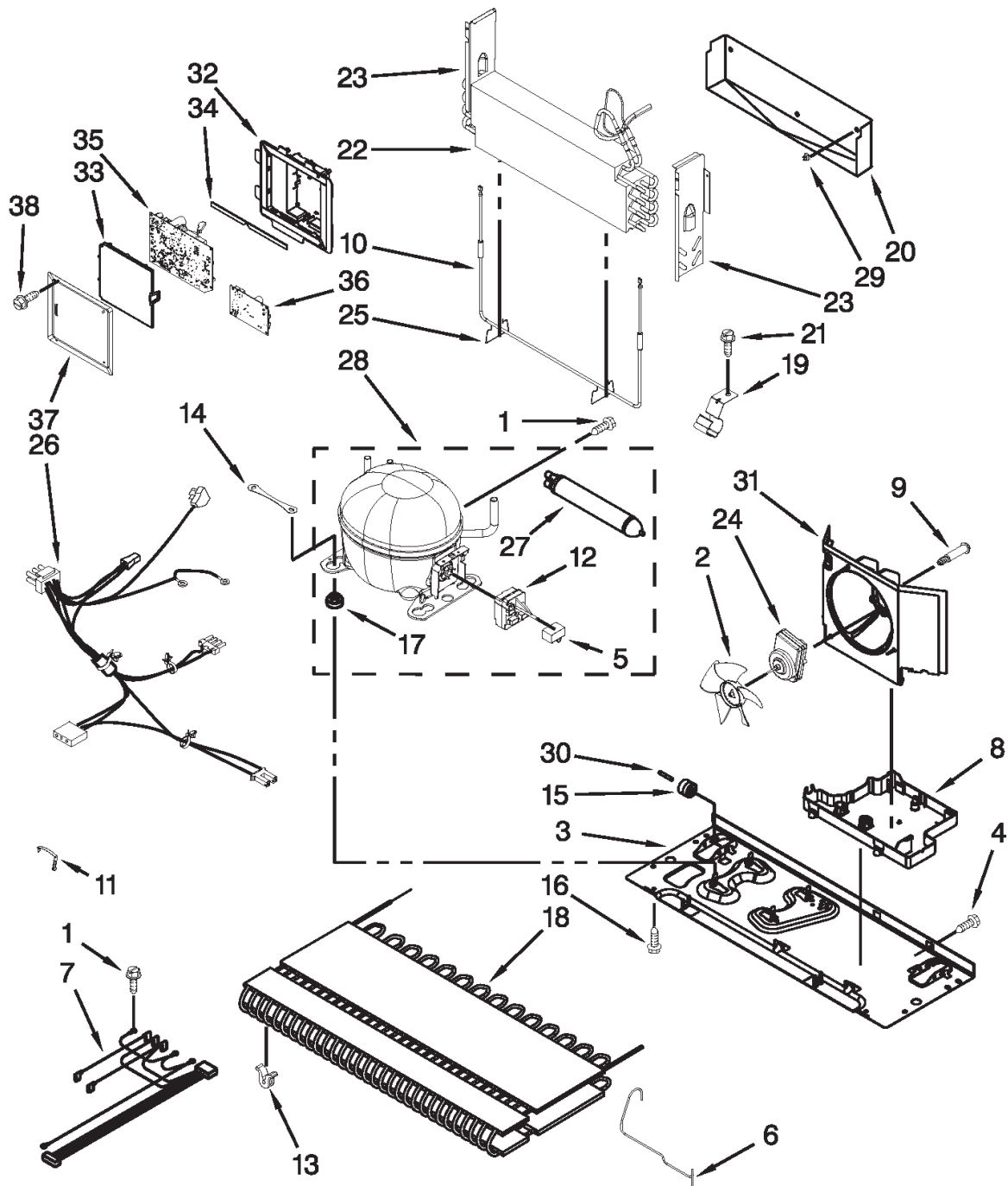
01/18/2013

10

Part No. W10575409 Rev. A

| Item | Part No. | Name | Qty | Uom | NOTES |
|--------------|------------|--|-----|-----|-------|
| 1 | 021731-000 | SCREW | 2 | EA | |
| 2 | 021699-000 | BLADE, FAN | 1 | EA | |
| 3 | 038452-000 | BASEPAN | 1 | EA | |
| 4 | 021714-000 | SCREW | 1 | EA | |
| 5 | 063884-000 | CAPACITOR | 1 | EA | |
| 6 | 028675-000 | TUBE, DISCHARGE | 1 | EA | |
| 7 | 034497-000 | HARNES, EVAP. HEATER (INCLUDES DEFROST TERMINATOR) | 1 | EA | |
| 8 | 021853-000 | PAN, DRAIN | 1 | EA | |
| 9 | 021824-000 | SCREW, SHOULDER | 1 | EA | |
| 10 | 021687-000 | HEATER, DEFROST | 1 | EA | |
| 11 | 034498-000 | STRAP, BALE | 1 | EA | |
| 12 | 039242-000 | START DEVICE | 1 | EA | |
| 13 | 011560-000 | GROMMET, COND | 1 | EA | |
| 14 | 053806-000 | Strap, Compressor | 1 | EA | |
| 15 | 021670-000 | ROLLER | 1 | EA | |
| 16 | 021743-000 | SCREW | 1 | EA | |
| 17 | 021750-000 | GROMMET | 1 | EA | |
| 18 | 028348-000 | CONDENSER | 1 | EA | |
| 19 | 022725-000 | CLIP, DRIER | 1 | EA | |
| 20 | 021885-000 | TRAY, DRIP | 1 | EA | |
| 21 | 021726-000 | SCREW | 1 | EA | |
| 22 | 026689-000 | EVAPORATOR | 1 | EA | |
| 23 | 021666-000 | DAM, RIGHT SIDE | 1 | EA | |
| Not Shown | 021665-000 | DAM, LEFT SIDE | 1 | EA | |
| 24 | 021893-000 | MOTOR, FAN | 1 | EA | |
| 25 | 011548-000 | CLIP, HEATER | 1 | EA | |
| 26 | 039243-000 | HARNES, UNIT WITH POWER CORD | 1 | EA | |
| 27 | 021606-000 | DRIER | 1 | EA | |
| 28 | 028673-000 | COMPRESSOR | 1 | EA | |

UNIT PARTS



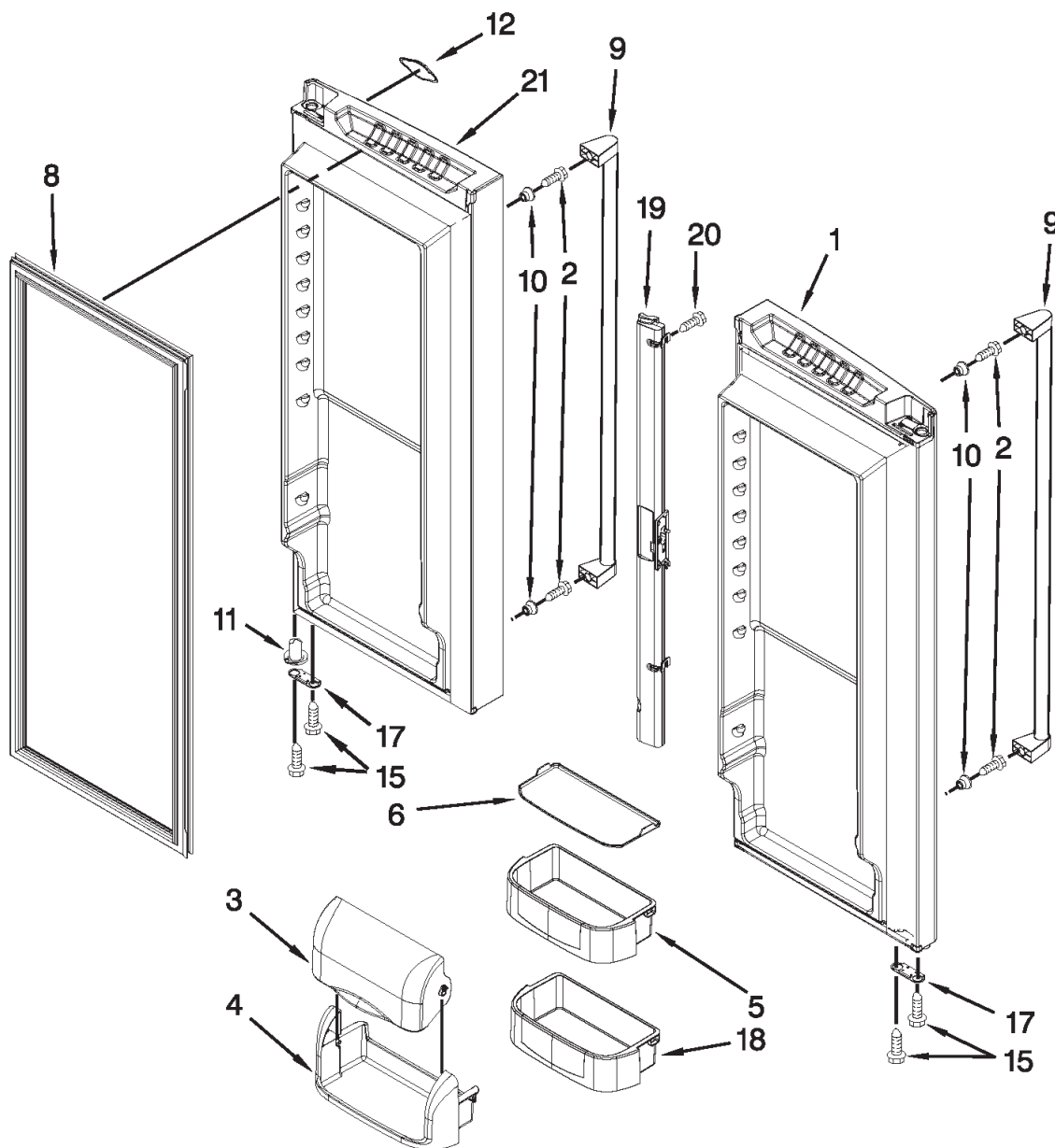
01/18/2013

10

Part No. W10575409 Rev. A

| Item | Part No. | Name | Qty | Uom | NOTES |
|------|------------|-----------------------|-----|-----|--|
| 29 | PS400124 | CLIP, EVAPORATOR | 1 | EA | Not available online / Call for pricing and availability |
| 30 | 021671-000 | AXLE, ROLLER | 1 | EA | |
| 31 | 021810-000 | SHROUD | 1 | EA | |
| 32 | 034501-000 | BOX, HV CONTROL | 1 | EA | |
| 33 | 021933-000 | LID, HV BOX | 1 | EA | |
| 34 | 038368-000 | GASKETÃHV CNTRLÃ2 | 1 | EA | |
| 35 | 034500-000 | BOARD, CONTROL | 1 | EA | |
| 36 | 034502-000 | BOARD, POWER | 1 | EA | |
| 37 | 021707-000 | COVER-CONTROL BOX | 1 | EA | |
| 38 | 021727-000 | SCREW | 1 | EA | |
| NI | 011564-000 | VALVE, ACCESS (1/4") | 1 | EA | Not available online / Call for pricing and availability |
| NI | 011566-000 | VALVE, ACCESS (5/16") | 1 | EA | |
| NI | 011567-000 | VALVE, ACCESS (3/8") | 1 | EA | |
| NI | 011568-000 | VALVE, ACCESS (1/2") | 1 | EA | |
| NI | 011569-000 | VALVE, ACCESS (5/8") | 1 | EA | |
| NI | 011571-000 | VALVE, ACCESS (3/4") | 1 | EA | |
| NI | 011572-000 | VALVE, ACCESS (3/16") | 1 | EA | |

REFRIGERATOR DOOR



01/18/2013

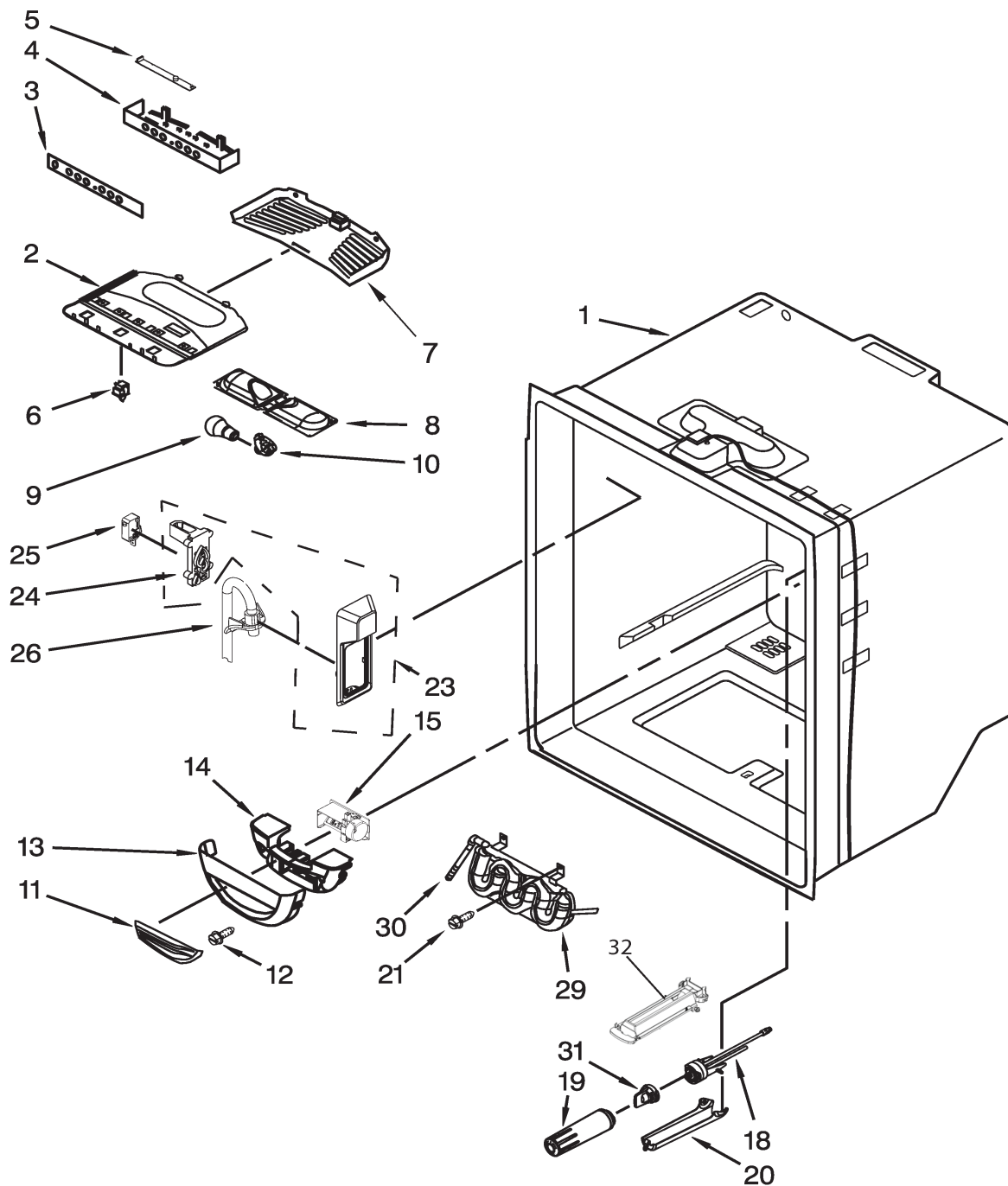
8

Part No. W10575409 Rev. A



| Item | Part No. | Name | Qty | Uom | NOTES |
|--------------|------------|-------------------------------|-----|-----|-------|
| 1 | 042467-000 | DOOR, LEFT STAINLESS | 1 | EA | |
| 2 | 021598-000 | SCREW, HANDLE | 4 | EA | |
| 3 | 034490-000 | DOOR, DAIRY | 1 | EA | |
| 4 | PS400017 | DAIRY TRAY (67001279) | 1 | EA | |
| 5 | 034488-000 | BUCKET, MEDIUM | 1 | EA | |
| 6 | 034487-000 | GRIPPER, MEDIUM BUCKET | 1 | EA | |
| Not Shown | 053804-000 | Gripper, Bucket Gallon | 1 | EA | |
| 8 | 039239-000 | GASKET, DOOR, APOLLO GREY | 2 | EA | |
| 9 | 034483-000 | HANDLE, DOOR (STAINLESS) | 2 | EA | |
| 10 | 021567-000 | STUD, HANDLE | 4 | EA | |
| 11 | 021860-000 | CLOSURE, DOOR, APOLLO GREY | 1 | EA | |
| 12 | 021569-000 | NAMEPLATE (CONTACT VIKING) | 1 | EA | |
| 15 | 021711-000 | SCREW | 4 | EA | |
| 17 | 034486-000 | STOP, DOOR, APOLLO GREY | 2 | EA | |
| 18 | 034489-000 | BUCKET, GALLON | 1 | EA | |
| 19 | 034484-000 | MULLION, DOOR, APOLLO GREY | 1 | EA | |
| 20 | 021708-000 | SCREW | 1 | EA | |
| 21 | 034482-000 | DOOR, RIGHT, STAINLESS | 1 | EA | |

REFRIGERATOR LINER PARTS



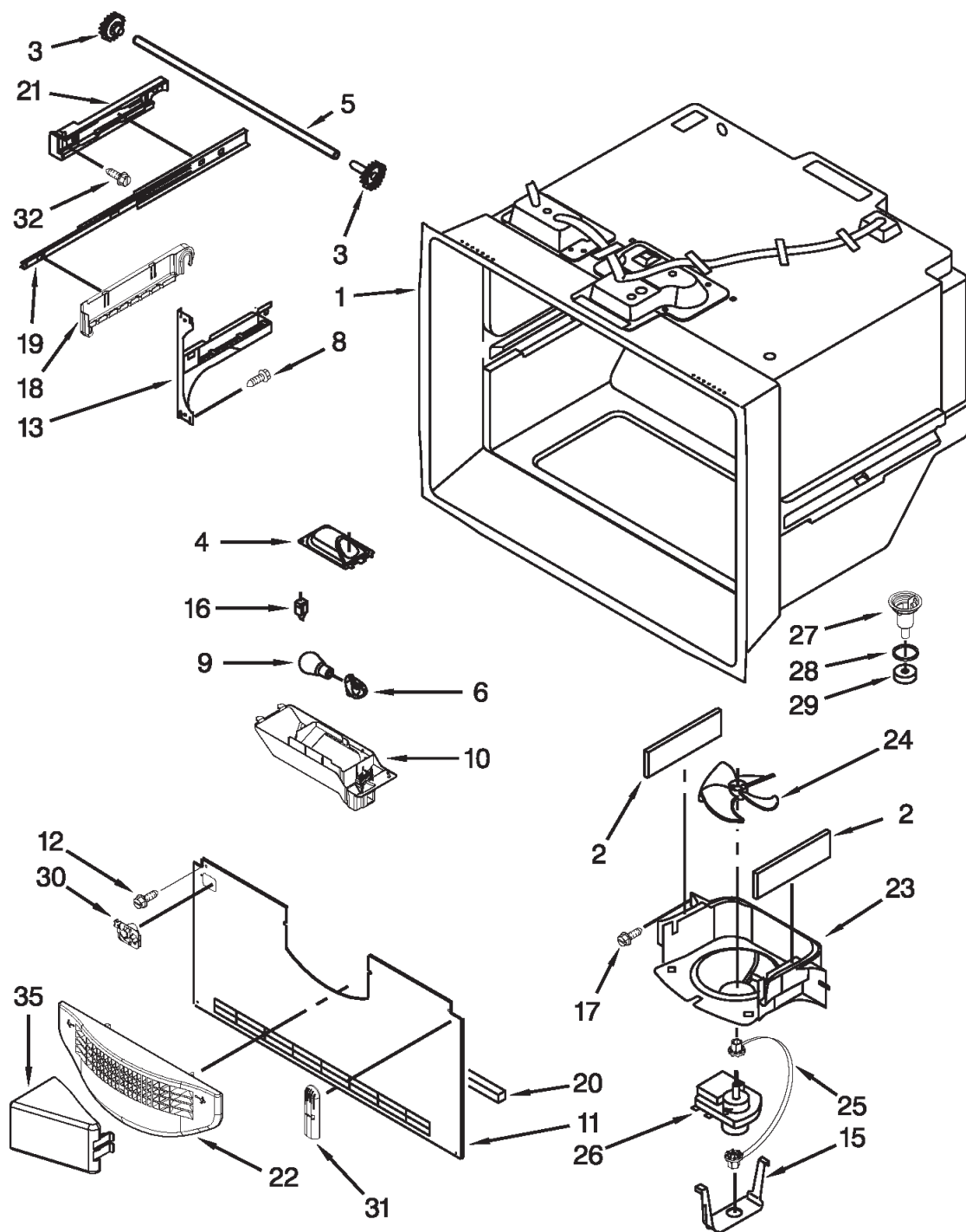
01/18/2013

6

Part No. W10575409 Rev. A

| Item | Part No. | Name | Qty | Uom | NOTES |
|-----------|------------|--|-----|-----|--|
| 1 | N/A | LINER (NOT A SERVICEABLE PART) | | EA | |
| 2 | 046159-000 | Module, Light | 1 | EA | |
| 3 | 053802-000 | Overlay | 1 | EA | |
| 4 | 039238-000 | HOUSING, CONTROL | 1 | EA | |
| 5 | 034470-000 | BOARD, CONTROL | 1 | EA | |
| 6 | PS400340 | SWITCH, REFRIGERATOR LIGHT (12466104) | 1 | EA | |
| 7 | 021693-000 | COVER, LIGHT | 1 | EA | |
| 8 | 028706-000 | HOUSING, LIGHT | 1 | EA | |
| 9 | 021955-000 | BULB, LIGHT | 1 | EA | |
| 10 | 021765-000 | SOCKET, LIGHT | 1 | EA | |
| 11 | 021695-000 | INSERT, DAMPER COVER | 1 | EA | |
| 12 | 021725-000 | SCREW | 1 | EA | Not available online / Call for pricing and availability |
| 13 | 021694-000 | COVER, DAMPER | 1 | EA | |
| 14 | 021735-000 | INSULATION | 1 | EA | |
| 15 | 021819-000 | CONTROL, DAMPER | 1 | EA | |
| 18 | 034461-000 | HEAD, WATER FILTER | 1 | EA | |
| 19 | 034463-000 | FILTER, WATER | 1 | EA | |
| 20 | 034462-000 | COVER, FILTER | 1 | EA | |
| 21 | 021711-000 | SCREW | 1 | EA | |
| 23 | 034464-000 | FACADE, DISPENCER | 1 | EA | |
| 24 | N/P | Plunger Switch | 1 | EA | |
| Not Shown | NOTE | MUST ORDER ITEM 23 | | EA | |
| 25 | PS400279 | LIMIT SWITCH (12575502) | 1 | EA | |
| 26 | 034465-000 | WATERLINE, DISPENSER | 1 | EA | |
| 29 | PS400039 | WATER TANK (W10153959) | 1 | EA | |
| 30 | 053803-000 | Union | 1 | EA | |
| 31 | 022157-000 | PLUG, BYPASS | 1 | EA | |
| NI | 044324-000 | Harness, Control Harness, Control (Refrigerator) (Includes Thermistor) | 1 | EA | |
| 32 | 021960-000 | BRACKET, FILTER BASE | 1 | EA | |

FREEZER LINER PARTS



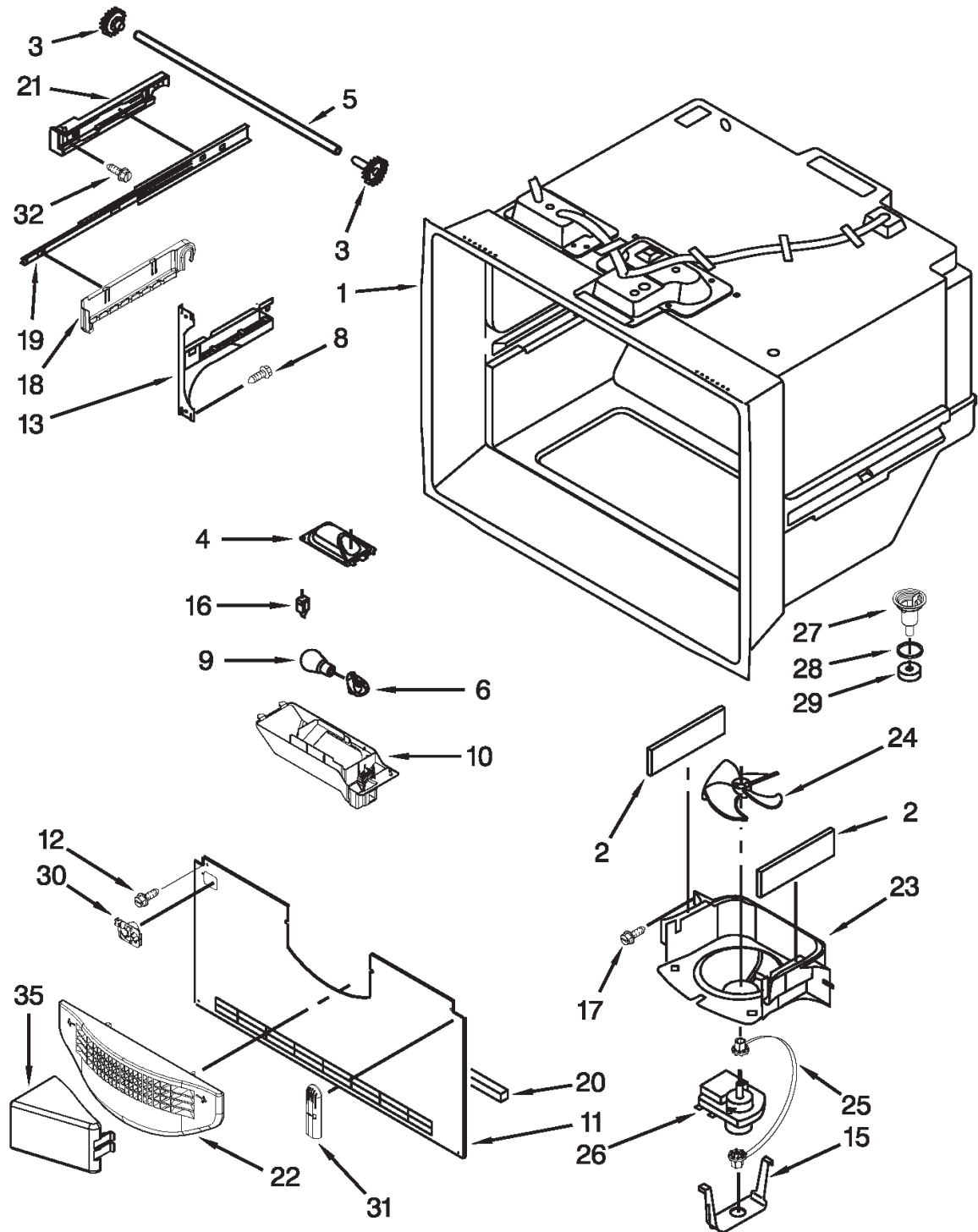
01/18/2013

4

Part No. W10575409 Rev. A

| Item | Part No. | Name | Qty | Uom | NOTES |
|--|------------|---------------------------------|-----|-----|-------|
| 1 | N/A | LINER (NOT A SERVICEABLE PARTS) | | EA | |
| 2 | 021787-000 | GASKET, FOAM | 1 | EA | |
| 3 | PS400100 | GEAR (LH / RH) | 2 | EA | |
| 4 | 021759-000 | HOUSING, LIGHT | 1 | EA | |
| 5 | 021917-000 | SHAFT, RACK | 1 | EA | |
| 6 | 021765-000 | SOCKET, LIGHT | 1 | EA | |
| NI | 028580-000 | P TRAP DRAIN | 1 | EA | |
| Comments for Part Num. 028580-000 bradleysapplianceservice@shaw.ca on Dec 9, 2016 028580-000 NEW STYLE P-TRAP DRAIN TUBE | | | | | |
| 8 | 021724-000 | SCREW | 1 | EA | |
| 9 | 038395-000 | BULB, LIGHT | 1 | EA | |
| 10 | 034473-000 | MODULE, LIGHT | 1 | EA | |
| 11 | 034472-000 | COVER, EVAPORATOR | 1 | EA | |
| 12 | 021714-000 | SCREW | 1 | EA | |
| 13 | 038448-000 | BRACKET, DOOR SLIDE, LEFT | 1 | EA | |
| Not Shown | 038445-000 | BRACKET, DOOR SLIDE, RIGHT | 1 | EA | |
| NI | 026692-000 | KIT, THERMISTOR REPLACEMENT | 1 | EA | |
| 15 | 021739-000 | CLIP, EVAP MOTOR | 1 | EA | |
| 16 | 021669-000 | SWITCH, LIGHT | 1 | EA | |
| 17 | 021711-000 | SCREW | 1 | EA | |
| 18 | 034476-000 | CRADLE, BASKET, LEFT | 1 | EA | |
| Not Shown | 034477-000 | CRADLE, BASKET, RIGHT | 1 | EA | |
| 19 | 021737-000 | SLIDE, DRAWER | 2 | EA | |
| 20 | 021977-000 | GASKET, FOAM | 1 | EA | |
| 21 | 063881-000 | ADAPTER, SLIDE LEFT HAND | 1 | EA | |
| Not Shown | 063882-000 | ADAPTER, SLIDE RIGHT HAND | 1 | EA | |
| 22 | 021736-000 | GRILLE, FZ AIR | 1 | EA | |
| 23 | 021738-000 | SHROUD, EVAPORATOR FAN | 1 | EA | |

FREEZER LINER PARTS



01/18/2013

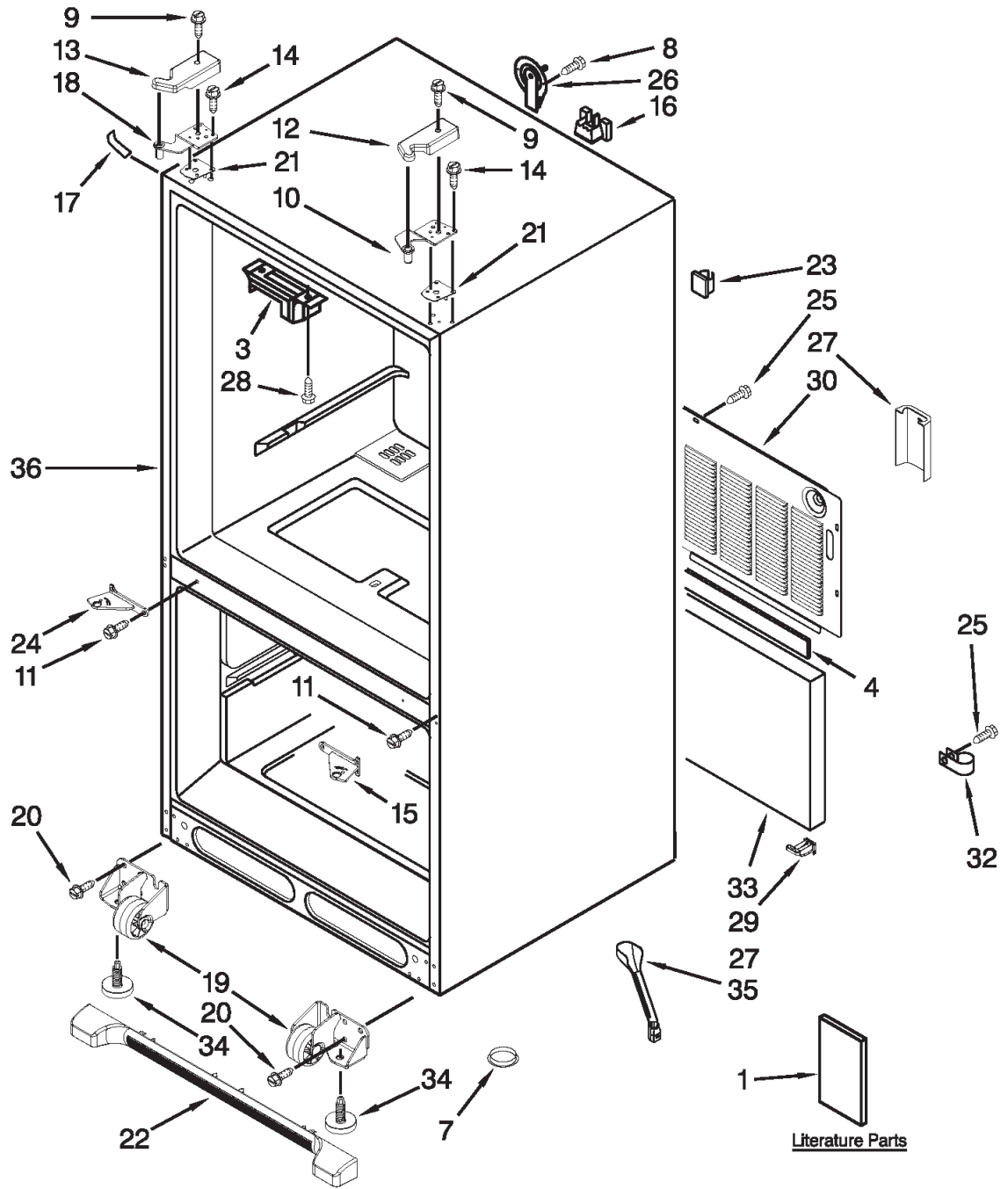
4

Part No. W10575409 Rev. A



| Item | Part No. | Name | Qty | Uom | NOTES |
|------|------------|-------------------------------------|-----|-----|-------|
| 24 | 011507-000 | BLADE, FAN | 1 | EA | |
| 25 | 011508-000 | GROMMET | 1 | EA | |
| 26 | PS400139 | MOTOR, EVAPORATOR FAN (67003636) | 1 | EA | |
| 27 | PS400092 | FUNNEL, DRAIN | 1 | EA | |
| 28 | PS400091 | SEAL, O-RING | 1 | EA | |
| 29 | PS400090 | GASKET, DRAIN TUBE | 1 | EA | |
| 30 | 053801-000 | Guide?Fill Tube | 1 | EA | |
| 31 | 021696-000 | COVER, THERMISTOR | 1 | EA | |
| 32 | 021710-000 | SCREW | 1 | EA | |
| 35 | 017115-000 | DIVERTER, AIR | 1 | EA | |
| NI | 034481-000 | HARNESS, FZ MODULE | 1 | EA | |

CABINET PARTS



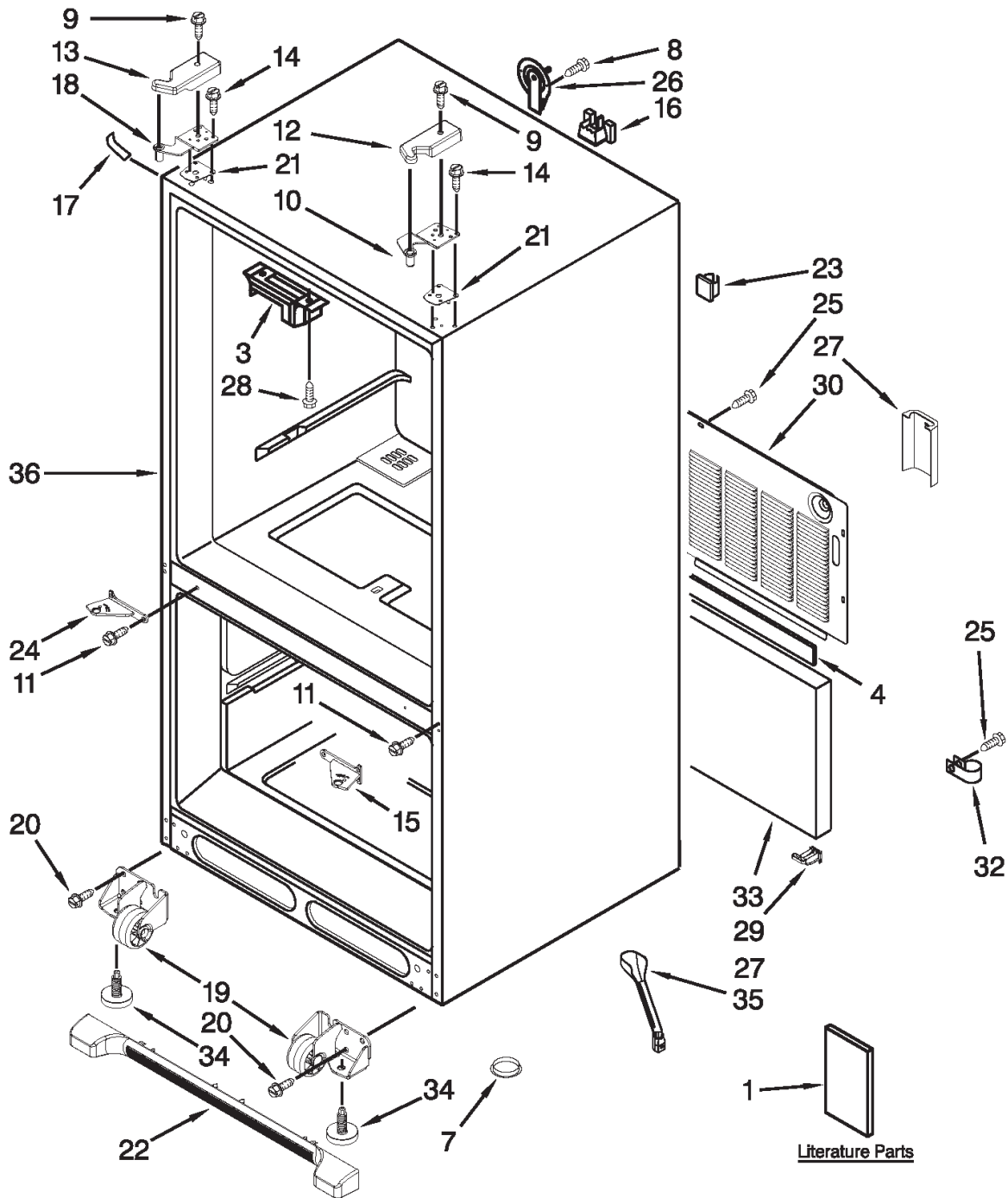
01/18/2013

2

Part No. W10575409 Rev. A

| Item | Part No. | Name | Qty | Uom | NOTES |
|-----------|------------|---------------------------------|-----|-----|--|
| 1 | N/A | (NOT A SERVICABLE PARTS) | | EA | |
| 3 | 034458-000 | BLOCK, PIVOT | 1 | EA | |
| 4 | 021790-000 | GASKET | 1 | EA | |
| 7 | PS400097 | PLUG, BUTTON | 1 | EA | |
| 8 | 021711-000 | SCREW | 1 | EA | |
| 9 | 034454-000 | SCREW | 2 | EA | |
| 10 | 034455-000 | HINGE, TOP RIGHT | 1 | EA | |
| Not Shown | 034459-000 | HINGE, TOP LEFT | 1 | EA | |
| 11 | 039234-000 | SCREW, CENTER HINGE | 2 | EA | |
| 12 | 034453-000 | COVER, RIGHT HINGE, APOLLO GREY | 1 | EA | |
| 13 | 034460-000 | COVER, LEFT HINGE, APOLLO GREY | 1 | EA | |
| 14 | 021733-000 | SCREW | 2 | EA | |
| 15 | 034456-000 | HINGE, CENTER (RT), STAINLESS | 1 | EA | |
| 16 | 017003-000 | BLOCK, FILTER | 1 | EA | |
| 17 | 047037-000 | Cover, Corner (2) Apollo Grey | 1 | EA | |
| 19 | 063876-000 | ROLLER ASSY FRONT RIGHT HAND | 1 | EA | |
| Not Shown | 063877-000 | ROLLER ASSY FRONT LEFT HAND | 1 | EA | |
| 20 | 021728-000 | SCREW | 2 | EA | |
| 21 | 021938-000 | SHIM, TOP HINGE, LEFT | 1 | EA | |
| Not Shown | 021939-000 | SHIM, TOP HINGE, RIGHT | 1 | EA | |
| 22 | PS400103 | GRILLE, TOE, BLACK | 1 | EA | |
| 23 | PS400180 | CLIP | 1 | EA | |
| 24 | 034457-000 | HINGE, CENTER (LT), STAINLESS | 1 | EA | |
| 25 | 021714-000 | SCREW | 1 | EA | |
| 26 | 021685-000 | COVER, WATER LINE | 1 | EA | Not available online / Call for pricing and availability |
| 27 | 021820-000 | COVER-WATER VALVE | 1 | EA | |
| 28 | 021946-000 | SCREW | 1 | EA | |

CABINET PARTS



01/18/2013

2

Part No. W10575409 Rev. A



| Item | Part No. | Name | Qty | Uom | NOTES |
|---|------------|---------------------------------|-----|-----|-------|
| 29 | 063878-000 | SWEEP, DUAL TUBE | 1 | EA | |
| 30 | 021823-000 | COVER, UNIT | 1 | EA | |
| 32 | 021794-000 | CLAMP, TUBE | 1 | EA | |
| 33 | 021697-000 | INSULATION, SOUND | 1 | EA | |
| 34 | 011488-000 | BRAKE, FOOT | 1 | EA | |
| 35 | 028580-000 | P TRAP DRAIN | 2 | EA | |
| Comments for Part Num. 028580-000 | | | | | |
| bradleysapplianceservice@shaw.ca on Dec 9, 2016 | | | | | |
| 028580-000 NEW STYLE P-TRAP DRAIN TUBE | | | | | |
| 36 | N/A | CABINET (NOT A SERVICABLE PART) | | EA | |



Appendix A:Pages Index

VCFF236SS03 Cabinet 8
VCFF236SS03 Freezer Door 2
VCFF236SS03 Freezer Liner 7
VCFF236SS03 Icemaker 1
VCFF236SS03 Refrig Door 5
VCFF236SS03 Refrig Liner 6
VCFF236SS03 Shelf 3
VCFF236SS03 Unit 4



Appendix B:Parts Index

| | | | |
|------------|------|------------|---------------|
| 011488-000 | 8 | 021708-000 | 5 |
| 011507-000 | 7 | 021710-000 | 7 |
| 011508-000 | 7 | 021711-000 | 3, 5, 6, 7, 8 |
| 011548-000 | 4 | 021714-000 | 4, 7, 8 |
| 011560-000 | 4 | 021719-000 | 3 |
| 011564-000 | 4 | 021723-000 | 3 |
| 011566-000 | 4 | 021724-000 | 7 |
| 011567-000 | 4 | 021725-000 | 6 |
| 011568-000 | 4 | 021726-000 | 4 |
| 011569-000 | 4 | 021727-000 | 4 |
| 011571-000 | 4 | 021728-000 | 8 |
| 011572-000 | 4 | 021731-000 | 4 |
| 011577-000 | 1 | 021733-000 | 8 |
| 011587-000 | 1 | 021735-000 | 6 |
| 011588-000 | 1 | 021736-000 | 7 |
| 017003-000 | 8 | 021737-000 | 7 |
| 017065-000 | 1 | 021738-000 | 7 |
| 017115-000 | 7 | 021739-000 | 7 |
| 021567-000 | 2, 5 | 021743-000 | 4 |
| 021569-000 | 5 | 021750-000 | 4 |
| 021598-000 | 2, 5 | 021759-000 | 7 |
| 021606-000 | 4 | 021765-000 | 6, 7 |
| 021665-000 | 4 | 021773-000 | 3 |
| 021666-000 | 4 | 021787-000 | 7 |
| 021669-000 | 7 | 021789-000 | 1 |
| 021670-000 | 4 | 021790-000 | 8 |
| 021671-000 | 4 | 021794-000 | 8 |
| 021675-000 | 3 | 021810-000 | 4 |
| 021676-000 | 3 | 021819-000 | 6 |
| 021677-000 | 3 | 021820-000 | 8 |
| 021678-000 | 3 | 021823-000 | 8 |
| 021685-000 | 8 | 021824-000 | 4 |
| 021687-000 | 4 | 021838-000 | 3 |
| 021693-000 | 6 | 021846-000 | 3 |
| 021694-000 | 6 | 021853-000 | 4 |
| 021695-000 | 6 | 021860-000 | 5 |
| 021696-000 | 7 | 021869-000 | 2 |
| 021697-000 | 8 | 021885-000 | 4 |
| 021699-000 | 4 | 021893-000 | 4 |
| 021707-000 | 4 | 021911-000 | 3 |
| | | 021917-000 | 7 |



| | | | |
|------------|------|------------|------|
| 021933-000 | 4 | 034483-000 | 2, 5 |
| 021938-000 | 8 | 034484-000 | 5 |
| 021939-000 | 8 | 034486-000 | 5 |
| 021946-000 | 8 | 034487-000 | 5 |
| 021955-000 | 6 | 034488-000 | 5 |
| 021960-000 | 6 | 034489-000 | 5 |
| 021977-000 | 7 | 034490-000 | 5 |
| 022157-000 | 6 | 034493-000 | 2 |
| 022170-000 | 1 | 034497-000 | 4 |
| 022658-000 | 1 | 034498-000 | 4 |
| 022659-000 | 1 | 034500-000 | 4 |
| 022664-000 | 1 | 034501-000 | 4 |
| 022725-000 | 4 | 034502-000 | 4 |
| 026689-000 | 4 | 034503-000 | 3 |
| 026692-000 | 7 | 034504-000 | 3 |
| 028348-000 | 4 | 034505-000 | 3 |
| 028580-000 | 7, 8 | 034506-000 | 3 |
| 028673-000 | 4 | 034507-000 | 3 |
| 028675-000 | 4 | 034508-000 | 3 |
| 028706-000 | 6 | 034509-000 | 3 |
| 028715-000 | 3 | 034510-000 | 3 |
| 034453-000 | 8 | 034511-000 | 3 |
| 034454-000 | 8 | 034512-000 | 3 |
| 034455-000 | 8 | 034513-000 | 3 |
| 034456-000 | 8 | 034514-000 | 3 |
| 034457-000 | 8 | 034515-000 | 3 |
| 034458-000 | 8 | 034517-000 | 3 |
| 034459-000 | 8 | 034518-000 | 3 |
| 034460-000 | 8 | 034519-000 | 1 |
| 034461-000 | 6 | 034520-000 | 3 |
| 034462-000 | 6 | 034521-000 | 3 |
| 034463-000 | 6 | 034522-000 | 3 |
| 034464-000 | 6 | 034523-000 | 3 |
| 034465-000 | 6 | 034524-000 | 3 |
| 034470-000 | 6 | 034525-000 | 3 |
| 034472-000 | 7 | 034526-000 | 3 |
| 034473-000 | 7 | 034528-000 | 3 |
| 034476-000 | 7 | 034529-000 | 3 |
| 034477-000 | 7 | 034530-000 | 3 |
| 034481-000 | 7 | 034531-000 | 3 |
| 034482-000 | 5 | 034532-000 | 3 |



| | | | |
|------------|---|------------|---|
| 034534-000 | 3 | 063878-000 | 8 |
| 034535-000 | 3 | 063881-000 | 7 |
| 034536-000 | 1 | 063882-000 | 7 |
| 034537-000 | 3 | 063884-000 | 4 |
| 034541-000 | 1 | 063885-000 | 3 |
| 038368-000 | 4 | PS400017 | 5 |
| 038395-000 | 7 | PS400039 | 6 |
| 038445-000 | 7 | PS400090 | 7 |
| 038448-000 | 7 | PS400091 | 7 |
| 038452-000 | 4 | PS400092 | 7 |
| 039234-000 | 8 | PS400097 | 8 |
| 039238-000 | 6 | PS400100 | 7 |
| 039239-000 | 5 | PS400103 | 8 |
| 039242-000 | 4 | PS400124 | 4 |
| 039243-000 | 4 | PS400139 | 7 |
| 039244-000 | 3 | PS400178 | 1 |
| 039245-000 | 3 | PS400180 | 8 |
| 039246-000 | 1 | PS400181 | 1 |
| 039247-000 | 1 | PS400279 | 6 |
| 042467-000 | 5 | PS400340 | 6 |
| 044324-000 | 6 | | |
| 046159-000 | 6 | | |
| 047037-000 | 8 | | |
| 047039-000 | 1 | | |
| 047041-000 | 1 | | |
| 050362-000 | 3 | | |
| 050363-000 | 3 | | |
| 051883-000 | 3 | | |
| 053801-000 | 7 | | |
| 053802-000 | 6 | | |
| 053803-000 | 6 | | |
| 053804-000 | 5 | | |
| 053806-000 | 4 | | |
| 053807-000 | 3 | | |
| 053808-000 | 1 | | |
| 053809-000 | 1 | | |
| 053811-000 | 1 | | |
| 053812-000 | 1 | | |
| 057336-000 | 1 | | |
| 063876-000 | 8 | | |
| 063877-000 | 8 | | |