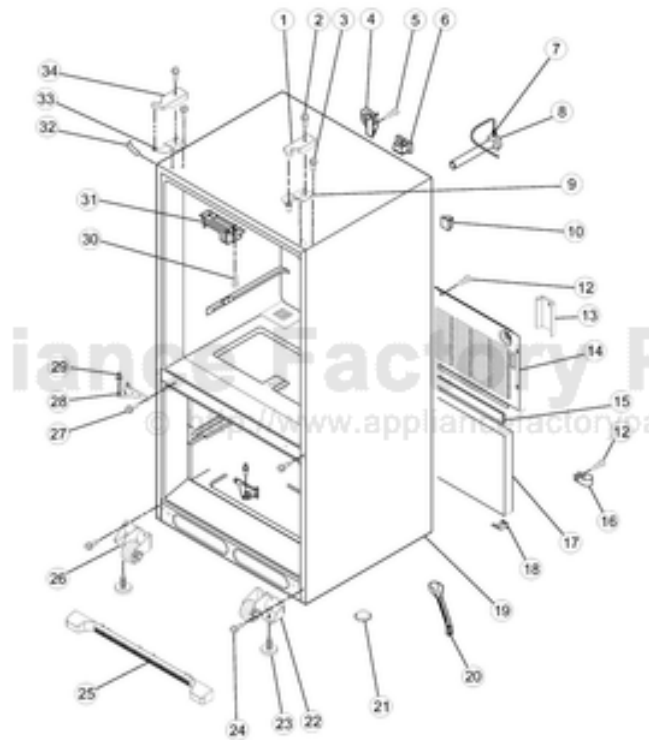


This Owner's Manual is provided and hosted by [Appliance Factory Parts](#).



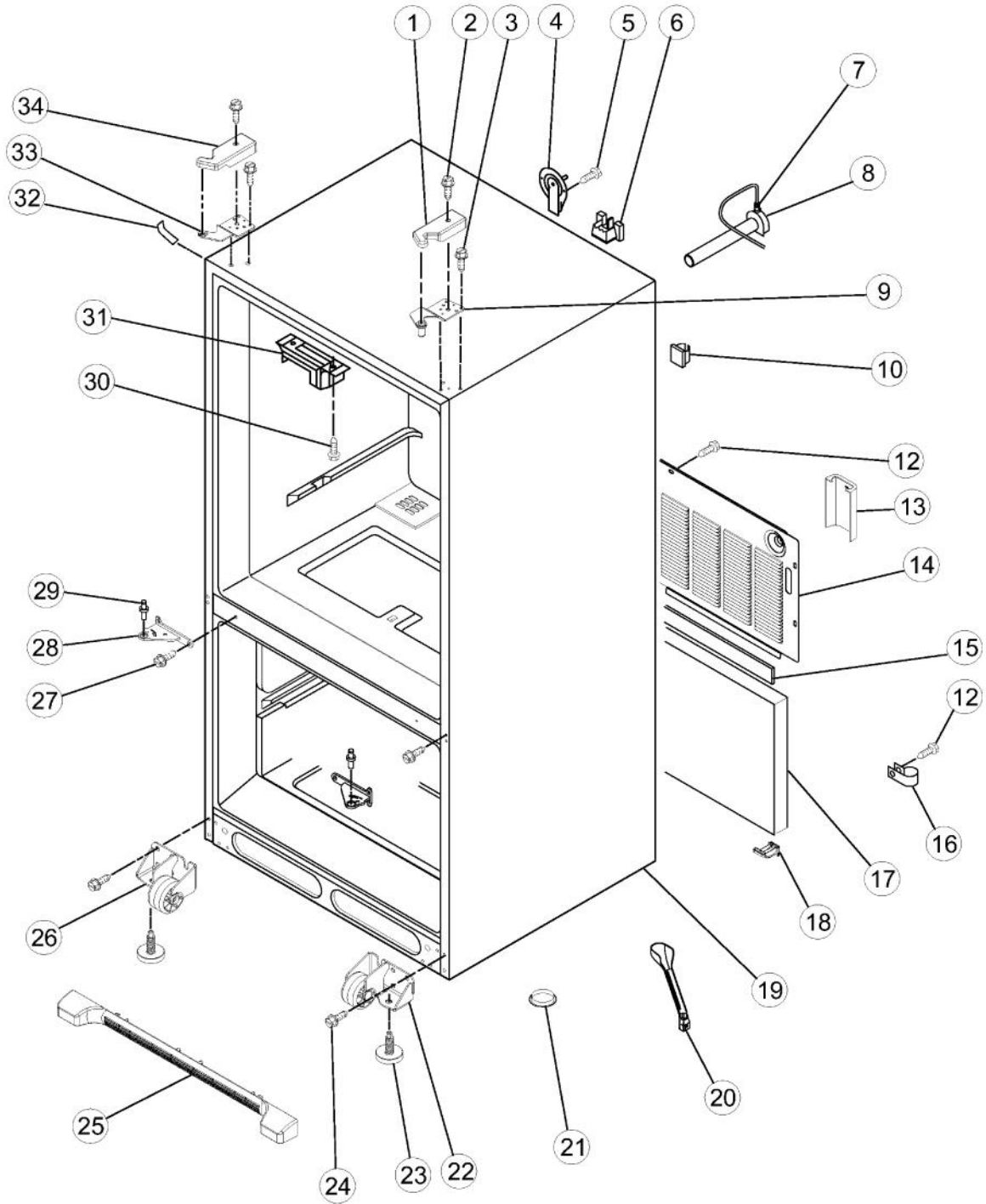
# VIKING VCFF136SSS8 Owner's Manual

[Shop genuine replacement parts for VIKING  
VCFF136SSS8](#)

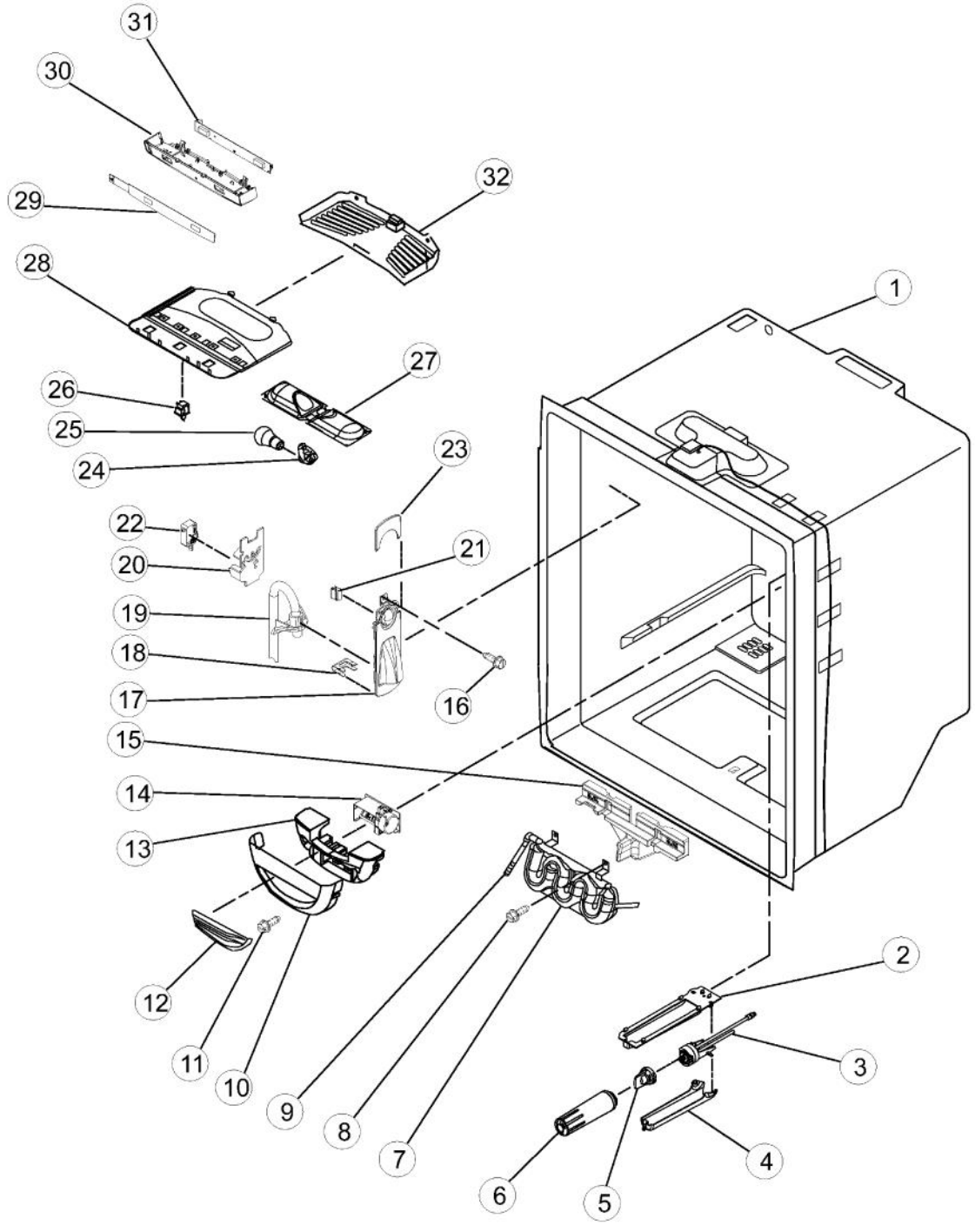


[Find Your VIKING Refrigerator Parts - Select From 341 Models](#)

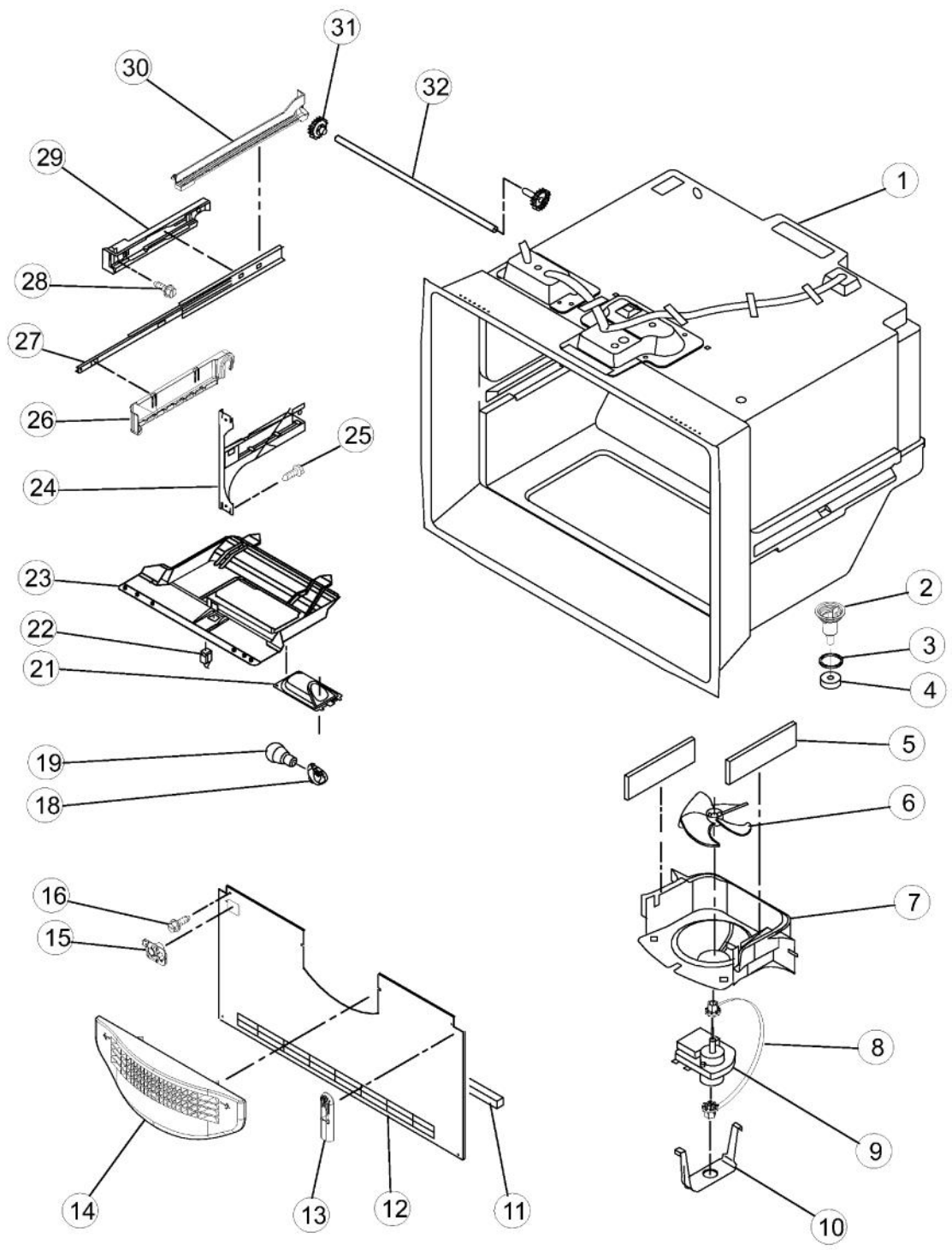
----- Manual continues below -----



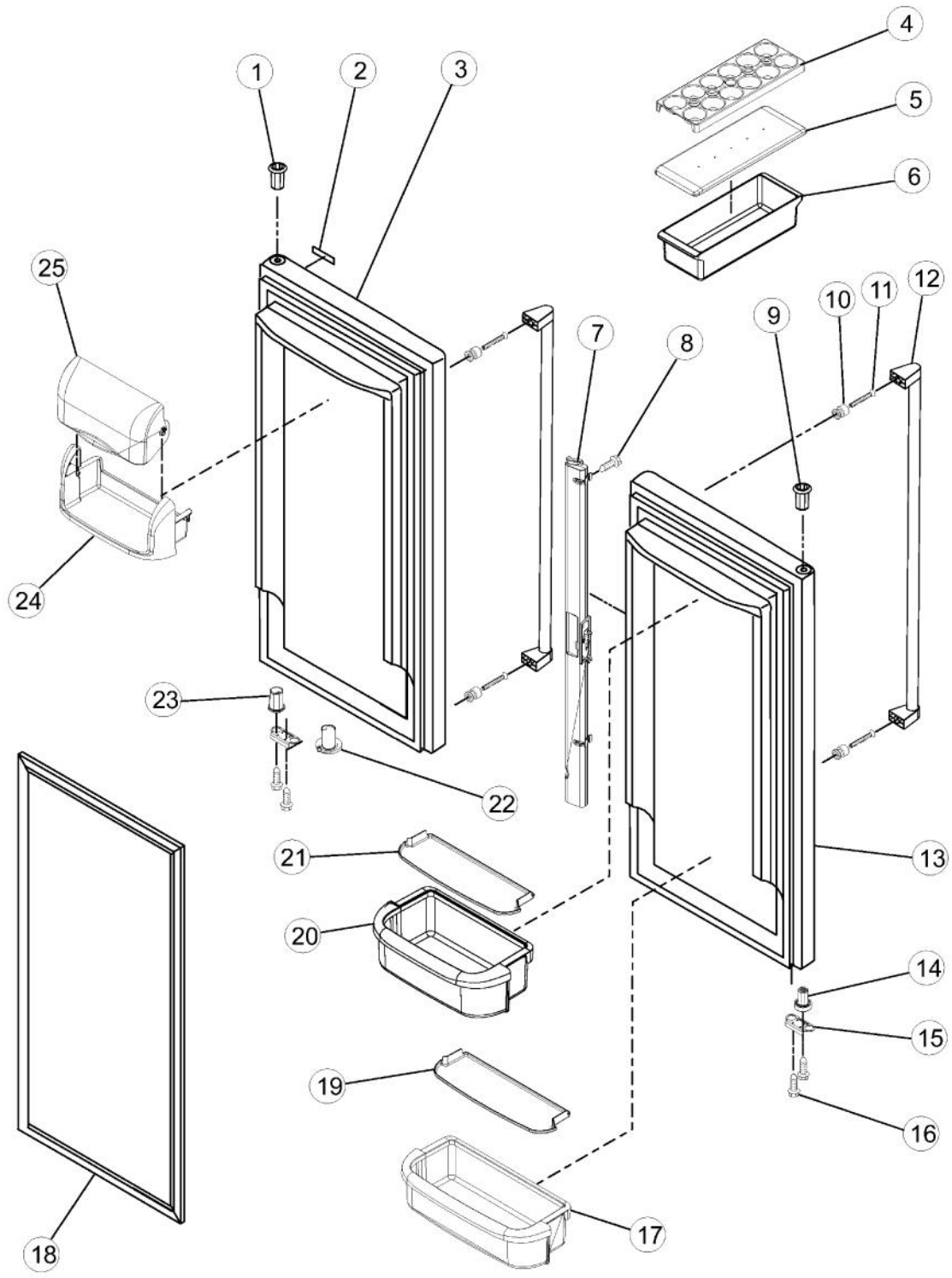
Ref #	Part Number	Qty.	Description
1	021452-000	1	COVER, RIGHT HINGE, APOLLO GREY
2	021734-000	2	SCREW
3	021733-000	6	SCREW
4	021685-000	1	COVER, WATER LINE
5	021711-000	1	SCREW
6	021688-000	1	BLOCK, FILL TUBE
7	021795-000	1	CLIP, SPEED
8	PS400185	1	ELBOW, FILL TUBE
9	PS400006	1	HINGE, TOP RIGHT
10	PS400180	2	CLIP
12	021714-000	10	SCREW
13	021820-000	1	COVER-WATER VALVE
14	021823-000	1	COVER, UNIT
15	021790-000	1	GASKET, MC BACK
16	021794-000	1	CLAMP, TUBE
17	021697-000	1	FIBER, ACOUSTIC
18	021700-000	1	DUAL TUBE SWEEP
19	N/P	1	CABINET (NOT FIELD REPLACEABLE)
20	021822-000	1	TUBE, DRAIN
21	PS400097	1	PLUG, BUTTON
22	021847-000	1	ROLLER ASSY., FRONT RIGHT
23	011488-000	1	BRAKE, FOOT
24	021728-000	8	SCREW
25	PS400103	1	TOE GRILLE (BLACK)
26	021848-000	1	ROLLER ASSY., FRONT LEFT
27	021730-000	6	SCREW
28	020629-000	2	HINGE, DOOR, APOLLO GRAY
29	021662-000	2	PIN, CENTER HINGE
30	021709-000	2	SCREW
31	021679-000	1	BLOCK, PIVOT
32	017004-000	2	CORNER COVER (APOLLO GREY)
33	021768-000	1	HINGE, TOP LEFT
34	021916-000	1	COVER, LEFT HINGE, APOLLO GREY



Ref #	Part Number	Qty.	Description
1	N/P	1	CABINET (NOT FIELD REPLACEABLE)
2	021681-000	1	PLATE
3	021674-000	1	HEAD, WATER FILTER
4	PS400031	1	COVER, FILTER
5	021963-000	1	PLUG, BYPASS
6	021796-000	1	FILTER, WATER
7	021682-000	1	TANK, WATER
8	021717-000	2	SCREW
9	PS400040	1	UNION (5/16 X 5/16)
10	021694-000	1	COVER, DAMPER
11	021725-000	1	SCREW
12	021695-000	1	INSERT, DAMPER COVER
13	021735-000	1	INSULATION
14	021819-000	1	CONTROL, DAMPER
15	005401-000	1	INSULATION, WATER TANK
16	021719-000	1	SCREW
17	017027-000	1	FA?ADE, DISPENSER
18	021757-000	1	WATER LINE CLIP
19	021776-000	1	GUIDE, WATERLINE
20	021777-000	1	PLATE, SWITCH
21	021791-000	2	CLIP, FA?ADE
22	PS400035	1	SWITCH, LIMIT
23	021683-000	1	FA?ADE, DISPENSER (TOP)
24	021765-000	2	SOCKET, LIGHT
25	021875-000	2	BULB. .LIGHT
26	021792-000	2	SWITCH, LIGHT
27	021781-000	1	LIGHT HOUSING
28	021691-000	1	MODULE, LIGHT
29	021826-000	1	OVERLAY
30	021692-000	1	HOUSING, CONTROL
31	022952-000	1	CONTROL BOARD
32	021693-000	1	COVER, LIGHT
NI	022840-000	1	HARNESS, CONTROL, REF. (INCLUDES THERMISTOR)

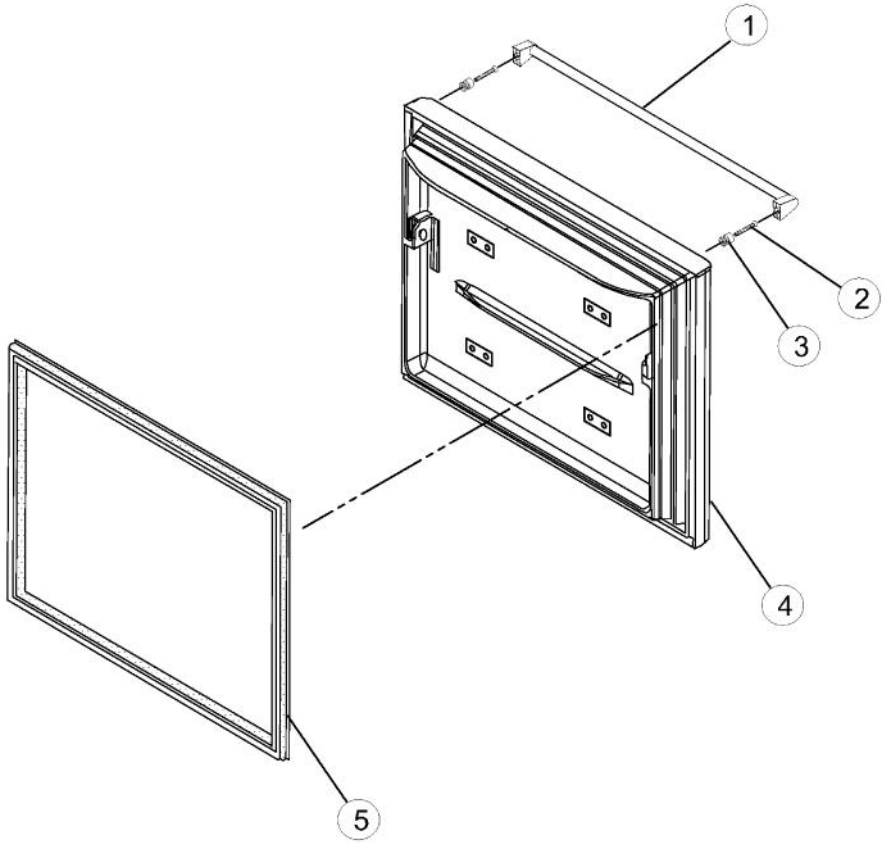


Ref #	Part Number	Qty.	Description
1	N/P	1	CABINET (NOT FIELD REPLACEABLE)
2	PS400092	1	FUNNEL, DRAIN
3	PS400091	1	SEAL, O-RING
4	PS400090	1	GASKET, DRAIN TUBE
5	021787-000	1	GASKET, FOAM
6	021741-000	1	BLADE, FAN (EVAPORATOR)
7	021738-000	1	SHROUD, EVAPORATOR FAN
8	011508-000	1	GROMMET
9	022959-000	1	MOTOR, EVAPORATOR
10	021739-000	1	CLIP, EVAP MOTOR
11	021788-000	1	GASKET, FOAM
12	021874-000	1	COVER, EVAPORATOR
13	021696-000	1	COVER, THERMISTOR
14	021736-000	1	GRILLE, FZ AIR
15	021704-000	1	GUIDE, FILL TUBE
16	021714-000	4	SCREW
18	021765-000	1	SOCKET, LIGHT
19	021875-000	1	BULB. .LIGHT
21	021934-000	1	FOIL-FZ LIGHT
22	021669-000	1	SWITCH, LIGHT
23	021932-000	1	MODULE, LIGHT
24	010915-000	1	BRACKET, DOOR, LEFT
24	010916-000	1	BRACKET, DOOR, RIGHT
25	021724-000	1	SCREW
26	021849-000	1	CRADLE, BASKET, LEFT
26	021850-000	1	CRADLE, BASKET, RIGHT
27	021737-000	1	SLIDE, DRAWER
28	021710-000	6	SCREW
29	021876-000	1	ADAPTER, SLIDE, LEFT
29	021877-000	1	ADAPTER, SLIDE, RIGHT
30	021851-000	1	RACK-SIDE-LEFT
30	021852-000	1	RACK-SLIDE, RIGHT
31	011497-000	2	GEAR, LT/RT
32	021917-000	1	SHAFT, RACK
NI	026692-000	1	KIT, THERMISTOR REPLACEMENT

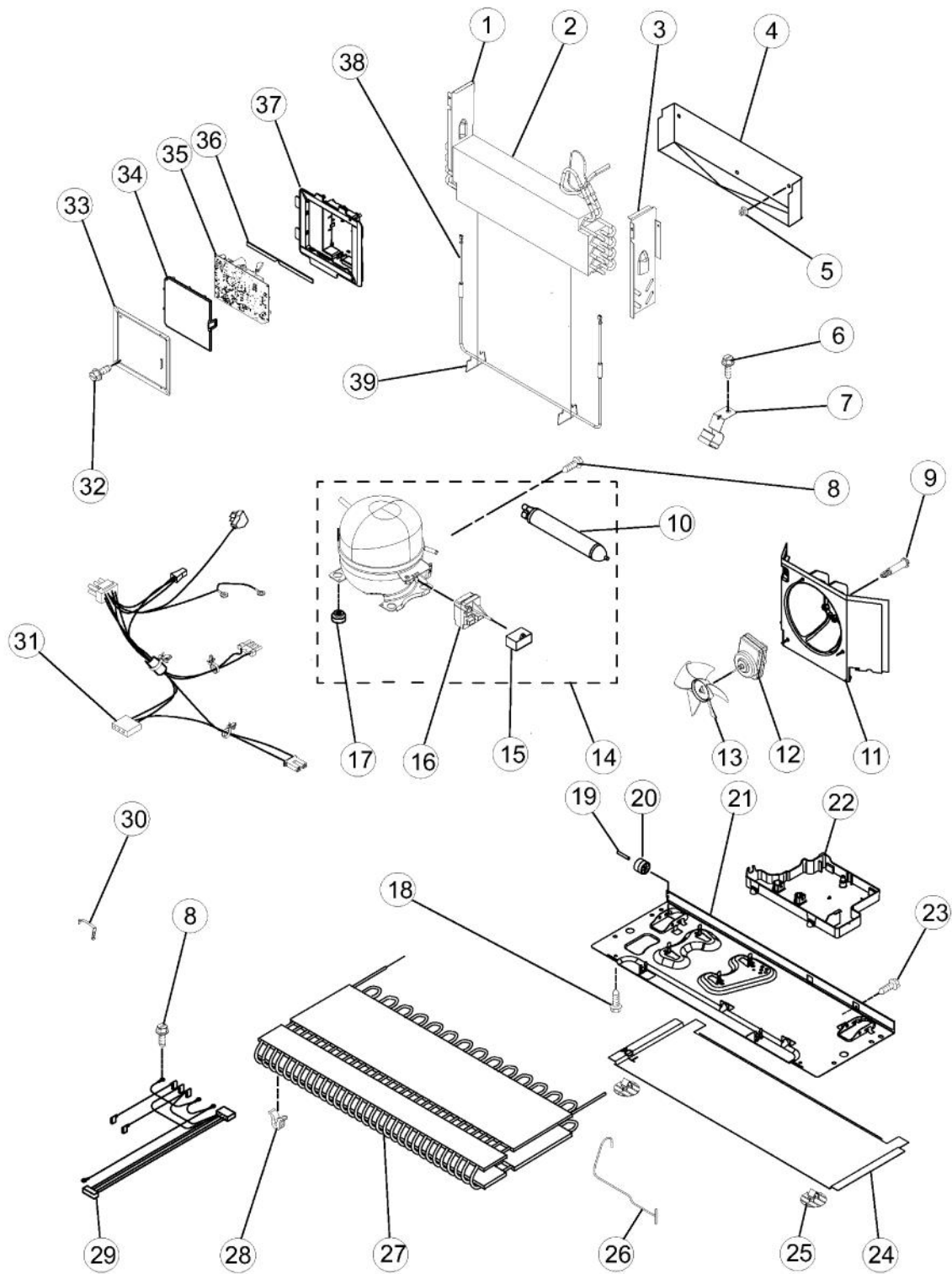




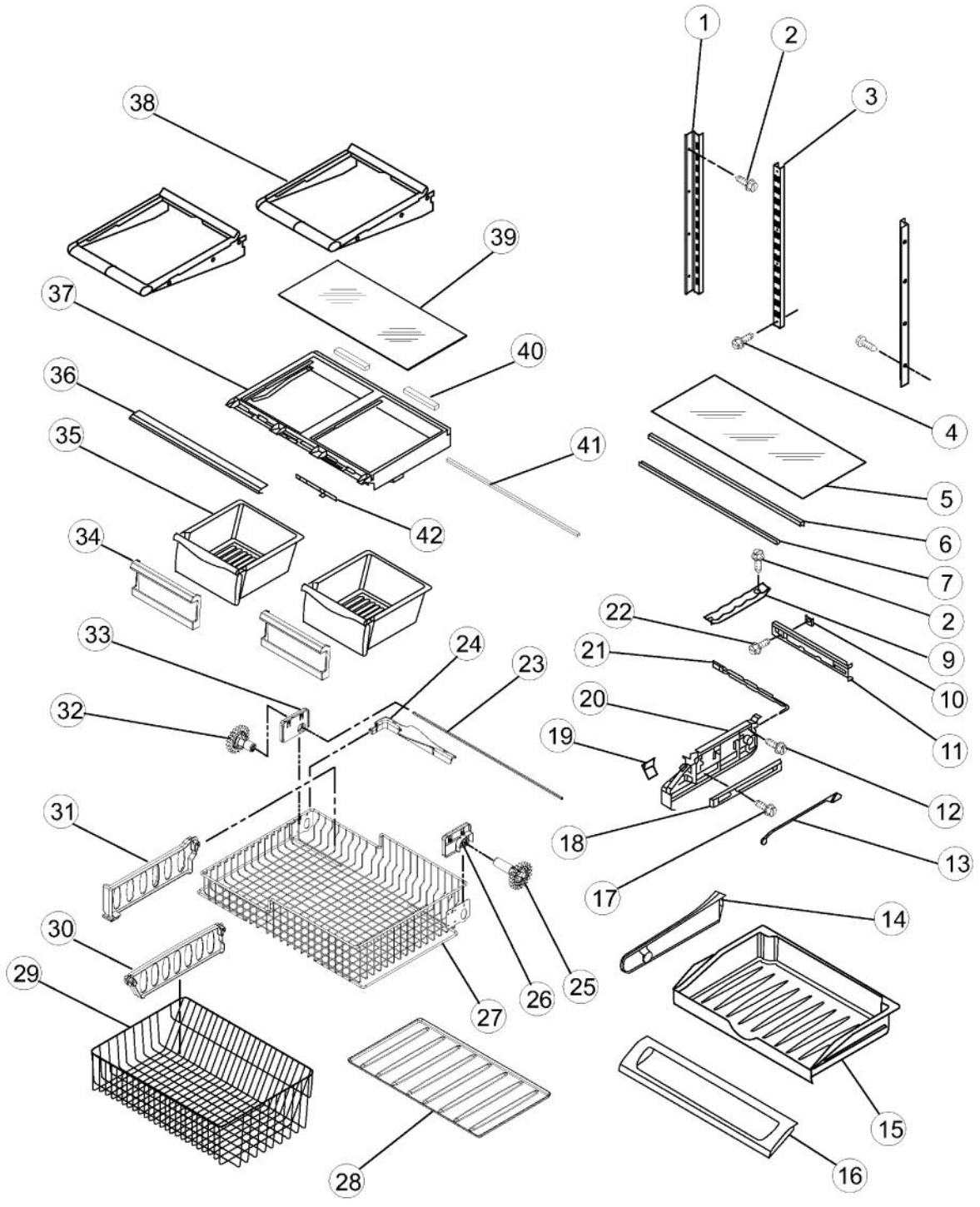
Ref #	Part Number	Qty.	Description
1	021859-000	1	BUSHING, DOOR, APOLLO GREY (UPPER RIGHT)
2	021569-000	1	NAMEPLATE (CONTACT VIKING)
3	028679-000	1	DOOR, RIGHT, STAINLESS
4	017162-000	1	TRAY, EGG
5	021747-000	1	LID, UTILITY
6	017097-000	1	BIN, UTILITY
7	021862-000	1	MULLION, DOOR, APOLLO GREY
8	021708-000	1	SCREW
9	021861-000	1	BUSHING, DOOR, APOLLO GREY (UPPER LEFT)
10	021567-000	4	STUD, HANDLE
11	021918-000	4	SCREW
12	021610-000	2	HANDLE, STAINLESS STEEL
13	028680-000	1	DOOR, LEFT, STAINLESS
14	021774-000	1	BUSHING, DOOR (BOTTOM LEFT)
15	021856-000	2	STOP, DOOR, APOLLO GREY
16	021711-000	4	SCREW
17	028347-000	3	BUCKET, MEDIUM
18	021868-000	2	GASKET, DOOR, APOLLO GREY
19	021763-000	3	GRIPPER, MEDIUM BUCKET
20	026687-000	2	BIN, SHELF (GAL-W/GRIPPER)
21	021764-000	2	GRIPPER, GALLON BUCKET
22	021860-000	2	CLOSURE, DOOR, APOLLO GREY
23	021753-000	1	BUSHING, DOOR (BOTTOM RIGHT)
24	021758-000	1	TRAY, DAIRY
25	021780-000	1	DOOR, DAIRY



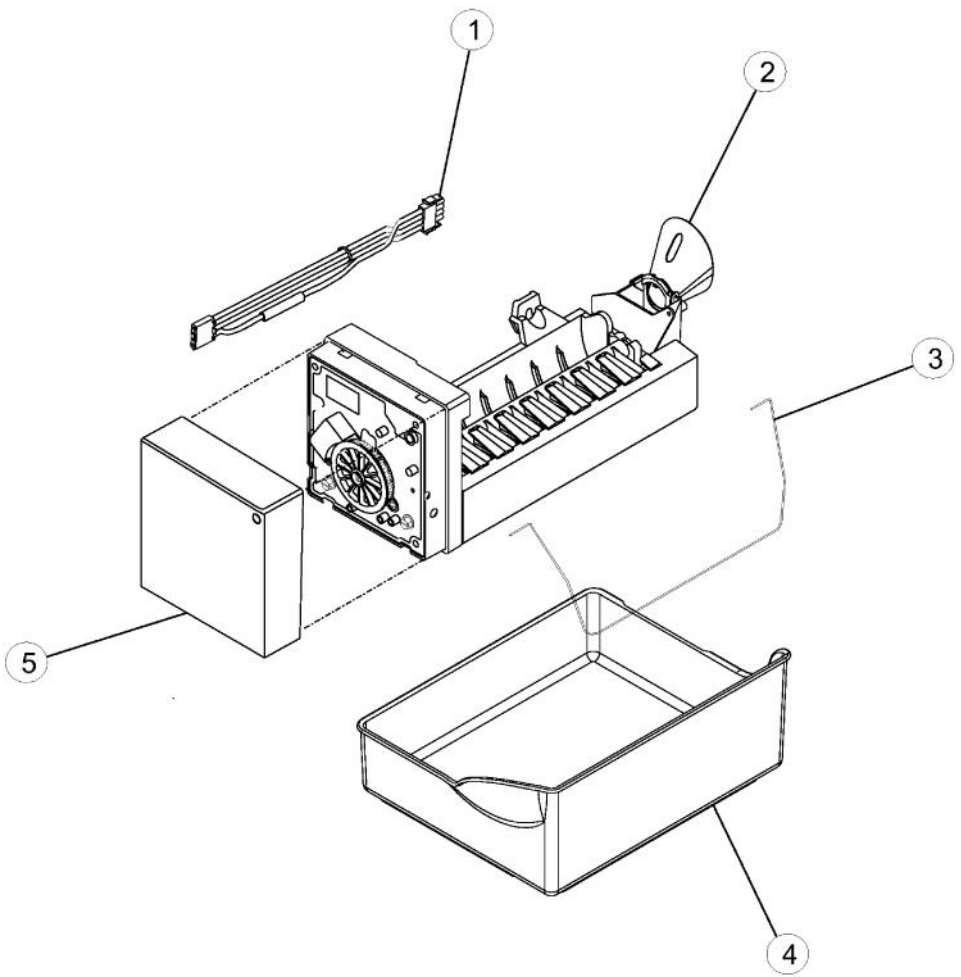
Ref #	Part Number	Qty.	Description
1	021610-000	1	HANDLE, STAINLESS STEEL
2	021918-000	2	SCREW
3	021567-000	2	STUD, HANDLE
4	028672-000	1	DOOR, FREEZER (SS)
5	021869-000	1	GASKET, FREEZER DOOR (BLACK)



Ref #	Part Number	Qty.	Description
1	021666-000	1	DAM, RIGHT SIDE
2	026689-000	1	EVAPORATOR
3	021665-000	1	DAM, LEFT SIDE
4	021885-000	1	TRAY, DRIP
5	PS400124	1	CLIP, EVAPORATOR
6	021726-000	1	SCREW
7	022725-000	1	CLIP, DRIER
8	021731-000	1	SCREW, GROUND
9	021824-000	1	SCREW, SHOULDER
10	021799-000	1	DRIER
11	021810-000	1	SHROUD
12	021893-000	1	MOTOR, FAN
13	021699-000	1	BLADE, FAN
14	028673-000	1	COMPRESSOR
15	021661-000	1	CAPACITOR
16	028674-000	1	START DEVICE
17	021750-000	4	GROMMET
18	021743-000	1	SCREW
19	021671-000	2	AXLE - ROLLER
20	021670-000	2	ROLLER ASSY., REAR
21	021821-000	1	BASEPAN
22	021853-000	1	PAN, DRAIN
23	021714-000	1	SCREW
24	021817-000	1	EXTENSION - BASEPAN
25	021818-000	2	FASTENER - BASEPAN
26	028675-000	1	TUBE, DISCHARGE
27	028348-000	1	CONDENSER
28	011560-000	2	GROMMET, CONDENSER
29	028349-000	1	HARNESS, EVAP. HEATER
30	028676-000	1	STRAP, BALE
31	021835-000	1	HARNESS, UNIT WITH POWER CORD
32	021727-000	1	SCREW
33	021707-000	1	COVER, CONTROL BOX
34	021933-000	1	LID, HV BOX
35	022962-000	1	BOARD, CONTROL
36	021706-000	1	GASKET, HV CONTROL
37	021839-000	1	BOX, HV CONTROL
38	021687-000	1	HEATER, DEFROST
39	011548-000	2	CLIP, HEATER



Ref #	Part Number	Qty.	Description
1	021838-000	2	LADDER, RH / LH
2	021719-000	6	SCREW
3	021846-000	1	LADDER, CENTER
4	021910-000	2	SCREW
5	021664-000	1	GLASS, PANTRY
6	021773-000	2	SUPPORT, PANTRY
7	021756-000	2	BRACE, PANTRY
9	021672-000	1	TRACK, PANTRY
10	021678-000	1	GASKET, PANTRY
11	021677-000	1	HOUSING, CONTROL
12	021717-000	4	SCREW
13	021675-000	1	ROD, TEMP CONTROL
14	021684-000	1	DIVIDER, PANTRY DRAWER
15	022021-000	1	DRAWER, PANTRY
16	021745-000	1	DOOR, PANTRY DRAWER
17	021711-000	4	SCREW
18	021912-000	2	GLIDE, DRAWER
19	021771-000	1	KNOB, TEMP CONTROL
20	PS400076	1	END CAP, LH PANTRY
20	PS400077	1	END CAP, RH PANTRY
21	021676-000	4	SLIDE TEMPERATURE
22	021719-000	1	SCREW
23	021782-000	1	SHAFT-RACK
24	021801-000	1	LIFT-BALL ARM
25	021800-000	1	GEAR, LONG-RIGHT
26	026690-000	1	MOUNT-GEAR - RIGHT
27	028677-000	1	BASKET, FREEZER (UPPER)
28	022965-000	1	TRAY, LOWER BASKET
29	021802-000	1	BASKET, FREEZER (LOWER)
30	021803-000	1	DIVIDER, LOWER BASKET
31	021837-000	1	DIVIDER, UPPER BASKET
32	021805-000	1	GEAR, SHORT-LEFT
33	026691-000	1	MOUNT-GEAR - LEFT
34	021778-000	1	FRONT, CRISPER PAN
35	021761-000	2	CRISPER PAN
36	021832-000	1	TRIM, CRISPER
37	021762-000	1	FRAME, CRISPER
38	017076-000	4	GLIDE, PANTRY DRAWER
39	021744-000	1	GLASS, CRISPER
40	021857-000	1	GASKET
41	021755-000	1	BRACE, CRISPER
42	021760-000	1	SLIDE, HUMIDITY CONTROL





Ref #	Part Number	Qty.	Description
1	021793-000	1	HARNESS, ICE MAKER
2	021811-000	1	ICEMAKER ASSY
3	021931-000	1	ARM, SHUTOFF
4	017060-000	1	PAN, ICE
5	PS400368	1	COVER, ICE MAKER
NI	026700-000	1	COUPLING