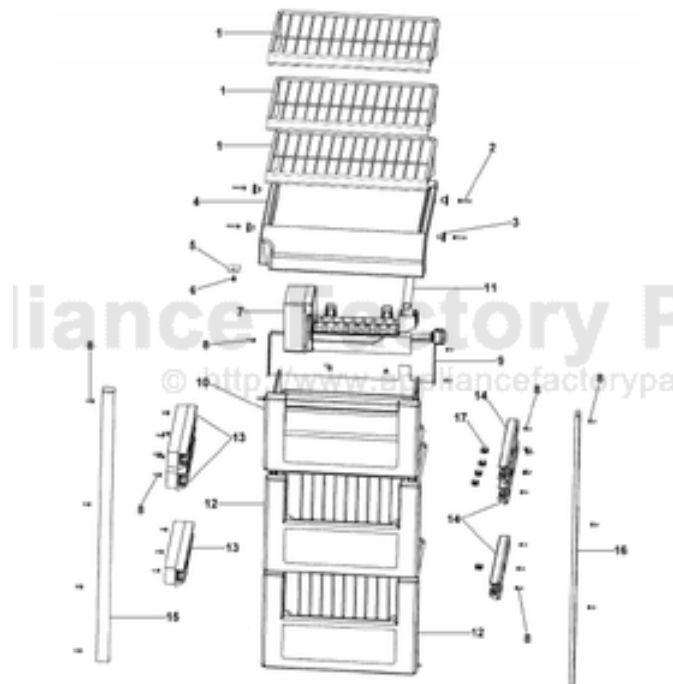


This Owner's Manual is provided and hosted by [Appliance Factory Parts](http://www.appliancefactoryparts.com).



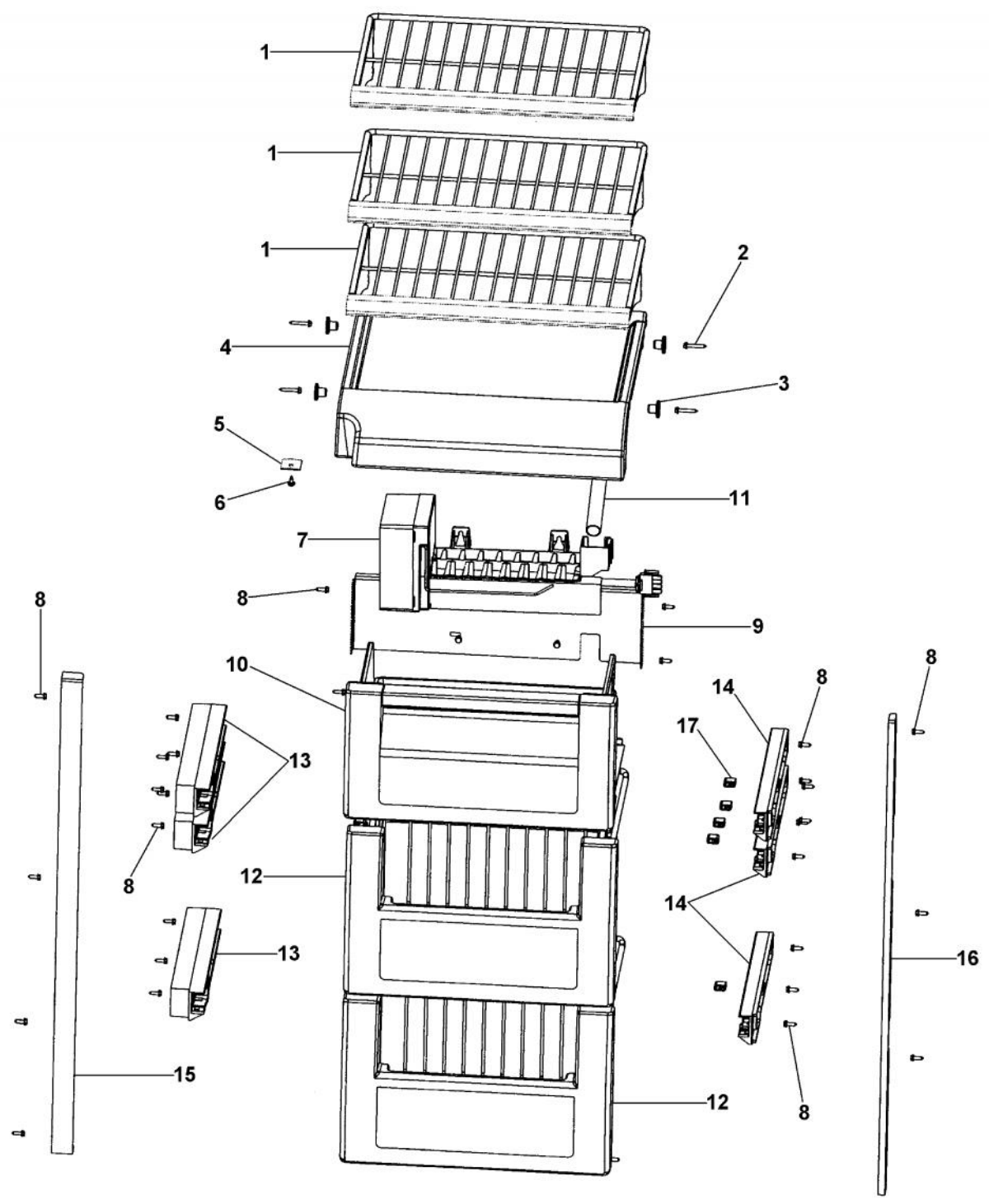
# VIKING VCSB483\_H\_SERIES Owner's Manual

[Shop genuine replacement parts for VIKING  
VCSB483 H SERIES](#)

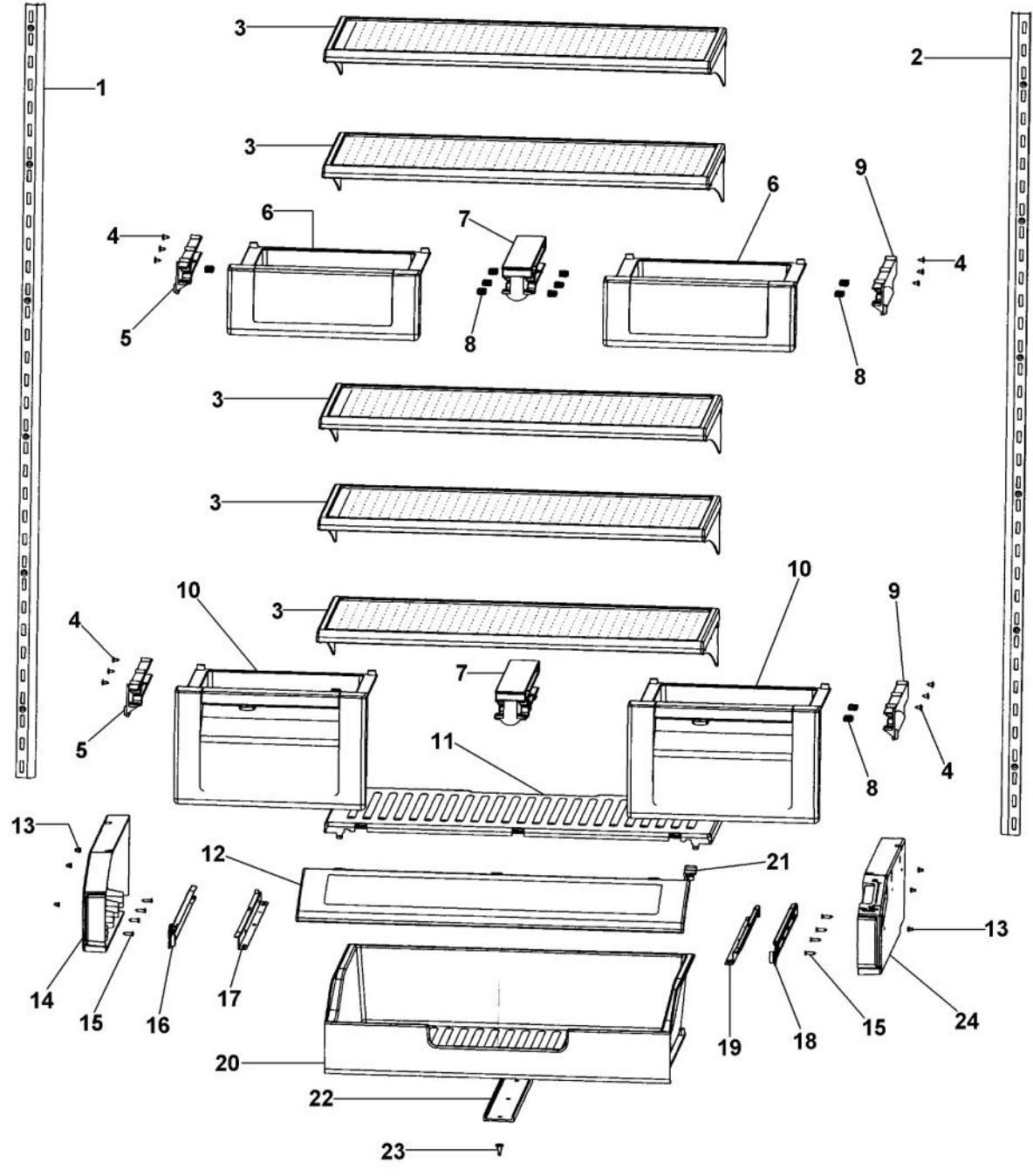


[Find Your VIKING Refrigerator Parts - Select From 341 Models](#)

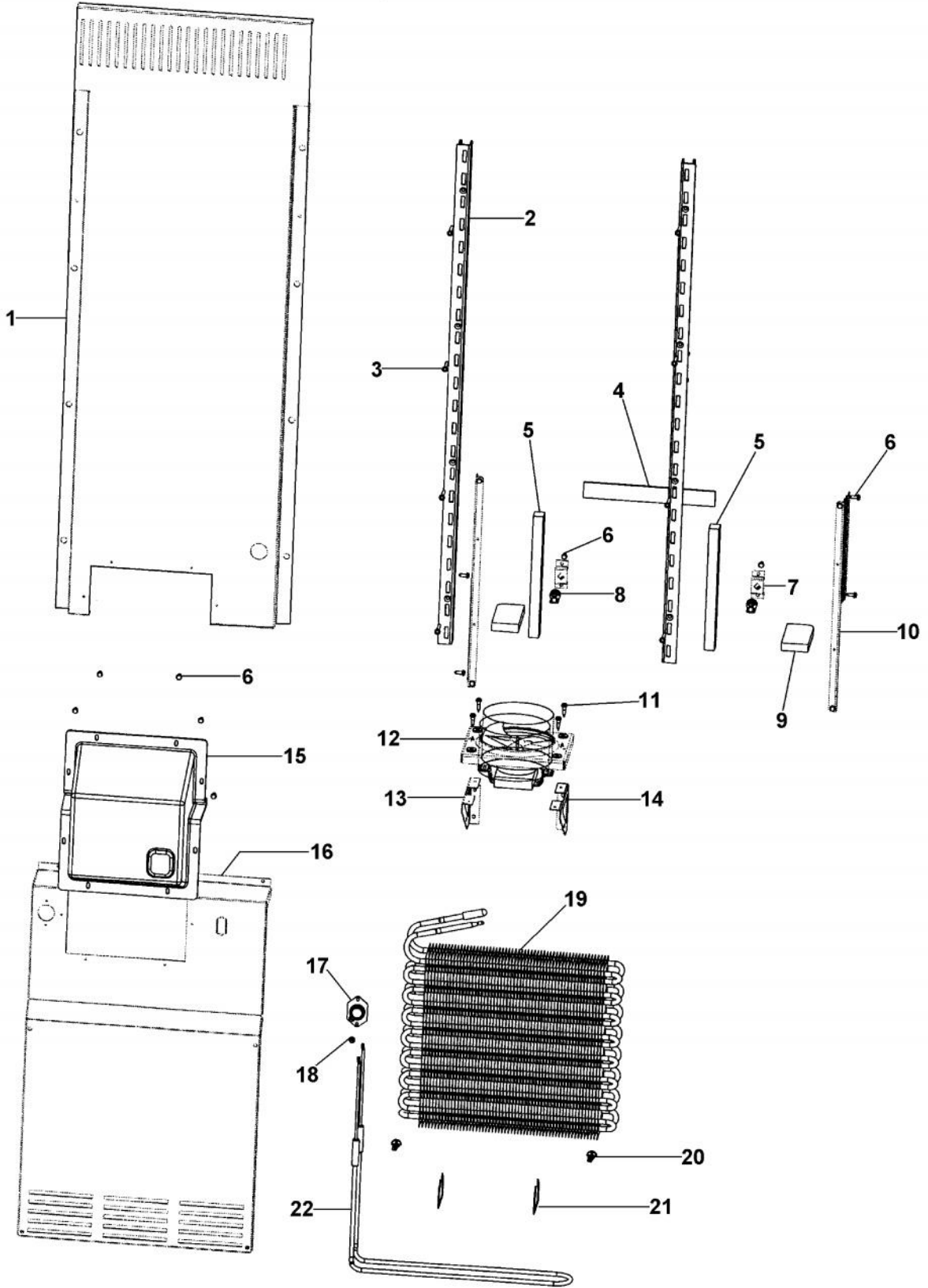
----- Manual continues below -----



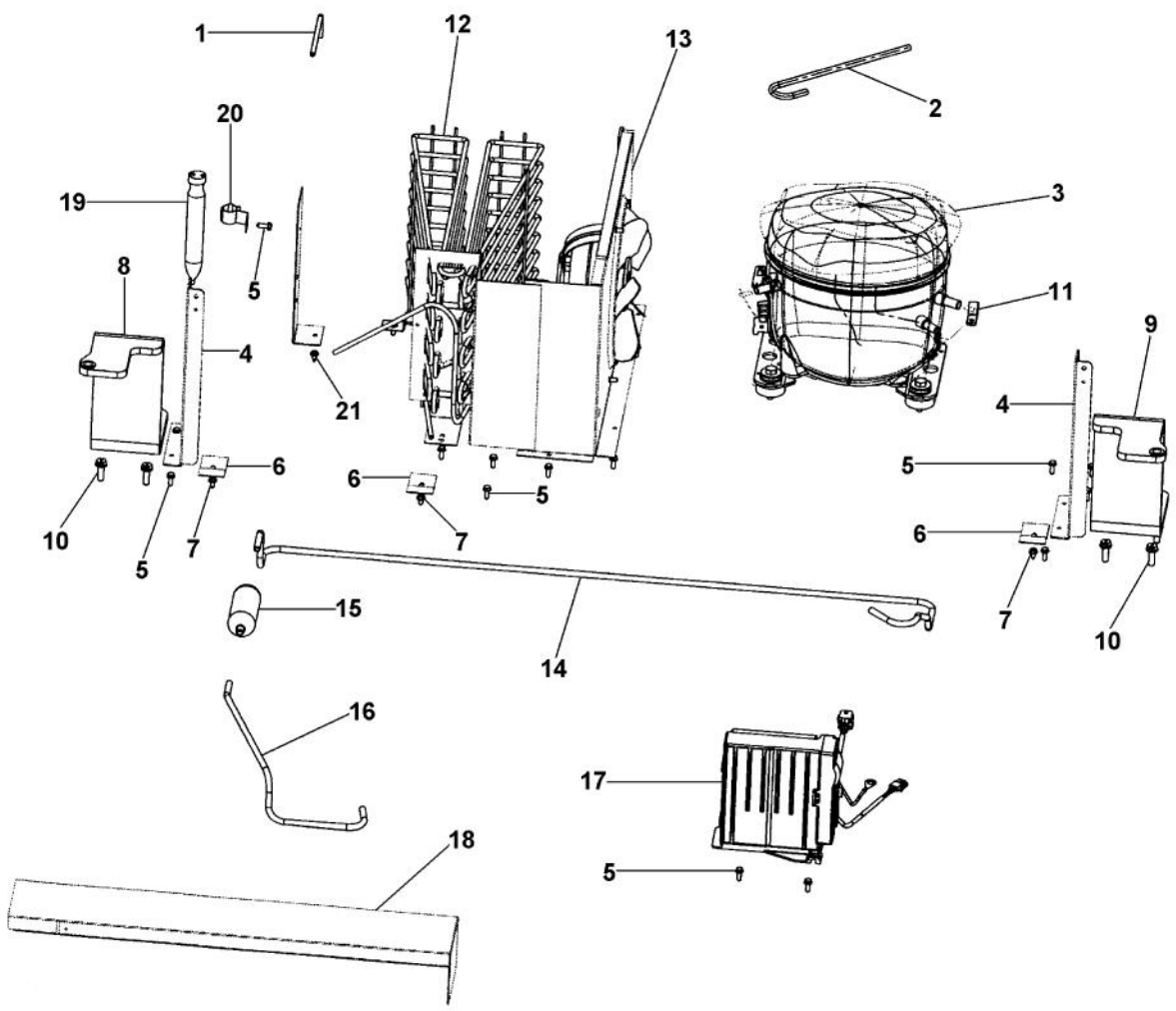
Ref #	Part Number	Qty.	Description
1	PM910189		SHELF WIRE FZ
2	M0211021		SCREW-SM
3	12258501		SUPPORT-SHELF
4	PK930079		SHELF COVER SXS 48 FZ
5	K2096494		BRACKET, ICE MAKER
6	M0224416		SCREW-SM
7	G50911858		ICE MAKER ASM, SXS ND, AF
NI	D7873501		WIRE-IM SHUTOFF BLU
8	M0238616		SCREW-SM
9	C9097183WH		SUPPORT IM ND SXS 48 WH
10	PK930076		ICE PAN ASM SXS 48
11	A3127415		EXT-FILL TUBE
12	PM910190		BASKET ASM FZ
13	PK930075		GLIDE SXS 48 FZ L
14	PK930074		GLIDE SXS 48 FZ R
15	PK930073		CLOSEOUT SIDE SXS 48 FZ L
16	V12304301		CLOSEOUT-FZ SIDE NO.
17	12064701		PAD-GLIDE V12064701



Ref #	Part Number	Qty.	Description
1	PK920023		LADDER FF L
2	PK920024		LADDER FF R
3	PM010529		SHELF ASM GLASS 30 AR 48 FF
4	M0210417		SCREW, SS SM
5	V12064501		GLIDE, LH CRISPER
6	V12183901		DAIRY DRAWER ASSY 48/48D
7	V12064601		GLIDE-CTR CRISPER NO.
8	12064701		PAD-GLIDE V12064701
9	V12064502		GLIDE, RH CRISPER
10	V12144302		CRISPER PAN ASSY 48/48 DISP
11	PK930044		SUB TO 000485-000 - DELI TOP SXS
NI	12486202		CLIP-DELI TOP 36 REPL V12486201
12	V12223208		SUB TO - 000485-000 DELI LID ASSY 48/48D
13	PD920162		SCR 8-16 PLASTITE PNP 1/4 S
14	PK930087		SUPPORT DRAWER SXS 48 L
15	M02103503		SCREW, SM
16	12073901		GLIDE-L SUPPORT V12073901
17	12073902		GLIDE-L DRAWER V12073902 -
18	12073903		GLIDE-R SUPPORT V12073903
19	12073904		GLIDE-R DRAWER V12073904
20	V12073304		DRAWER-DELI 48/48DISP
21	V12073401		KNOB-DELI CONT
NI	V12073601		SLIDE-DELI CONT
NI	V12231201		COVER-AIR CONTROL
22	12118901		TRACK-DELI DRAWER
23	M0581001		GROMMET-SCREW
24	V12073003		SUPPORT-R DRAWER NO.
NI	PM910332		ACCESORY ASSY

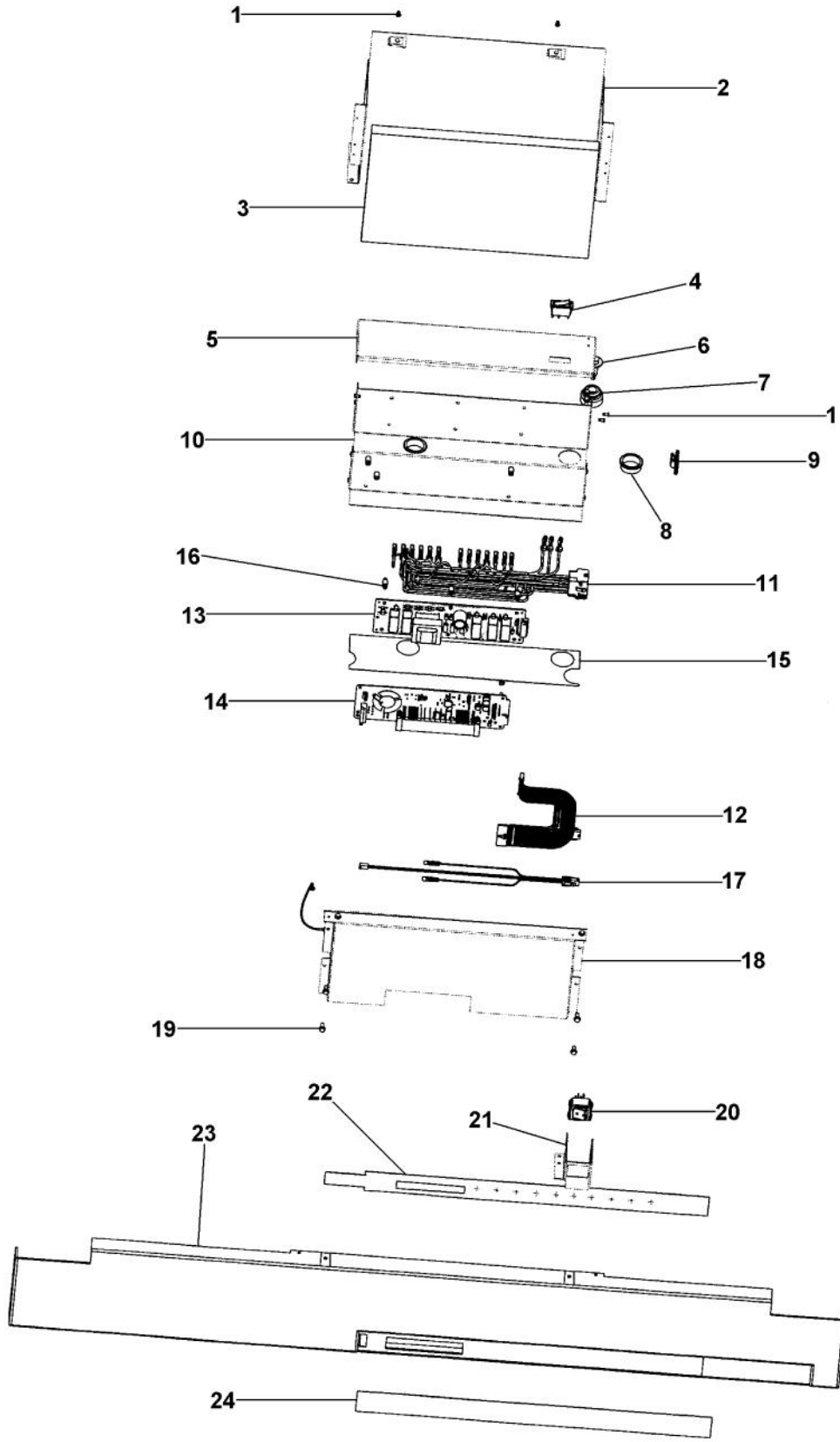


Ref #	Part Number	Qty.	Description
1	L2097181		COVER EVAP UPPER SXS 48
2	12231701		LADDER-FZ L/R SIDE
3	M0238535		SCREW-SM
4	A3189370		GASKET-FOAM VA3189370
5	A3030361		GASKET, RED
6	M0238616		SCREW-SM
7	K2096456		BRKT-EVAP CLIP 12215101
8	10623003		CLIP-EVAP
9	10629001		BLOCK-R AIR COIL RED
10	K2096461		BRKT-EVAP COVER 12234801
11	M0238859		SCREW-SHLDR
12	G5098660		FAN EVAP ASM
13	K2096458		BRKT-L-EVAP-FAN 12223102
14	K2096457		BRKT-R-EVAP FAN 12223101
15	PK930150		COVER CTR EVAP
16	L2097182		COVER EVAP LOWER SXS 48
17	C8983701		THERMISTOR
18	M0211014		SCREW-SM
19	PM910206		EVAPORATOR SXS 48
20	10527401		CLIP-EVAP
21	10428101		CLIP-EVAP HTR V10428101
22	PJ910031		HEATER EVAP SXS
NI	F20910021		HEAT EXCHANGER ASM SXS 48
NI	PB910259		THERMOSTAT DEFROST TERMINATOR
NI	PE970412		HARNESS JUMPER EVAP FAN MOTOR

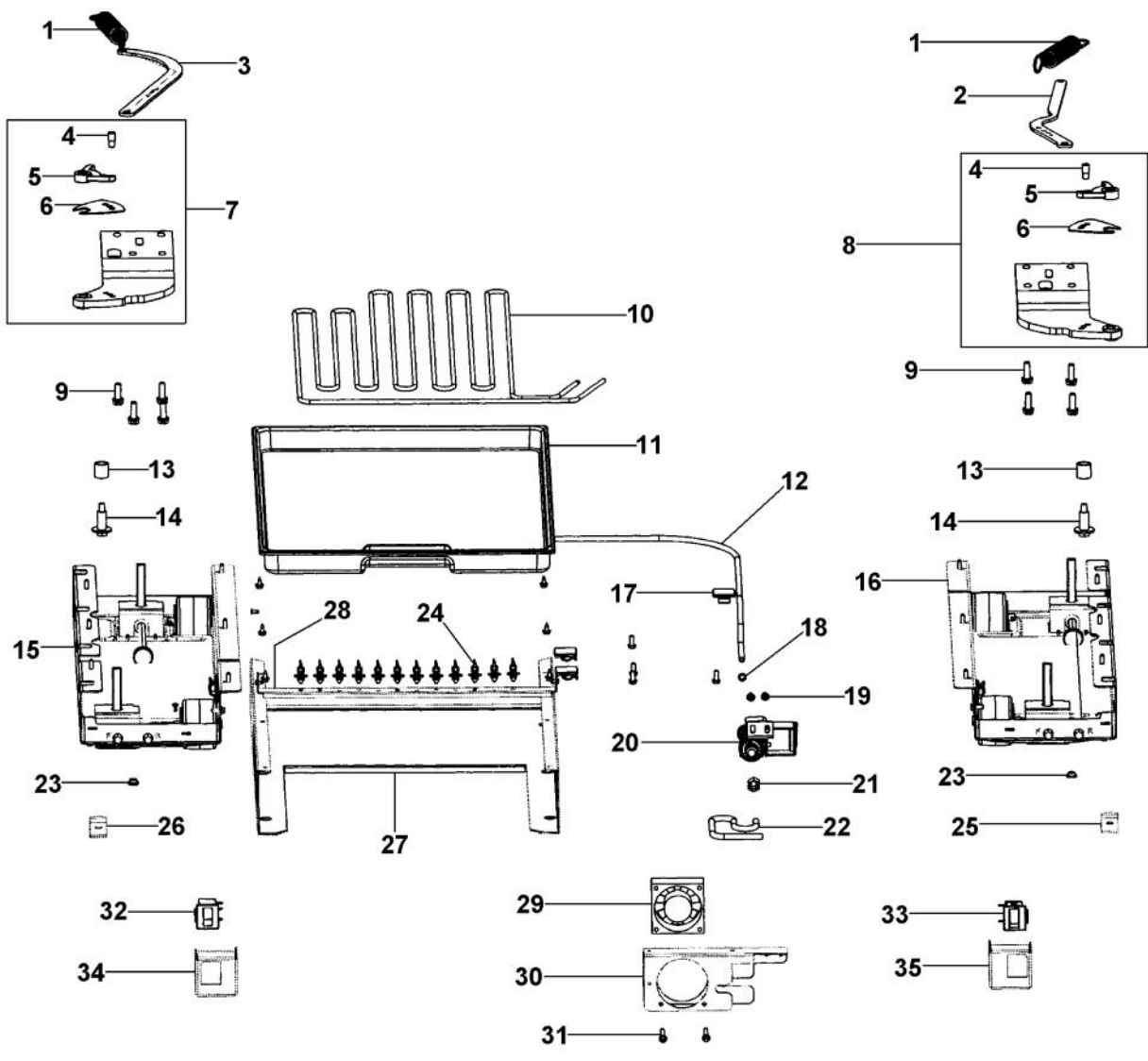




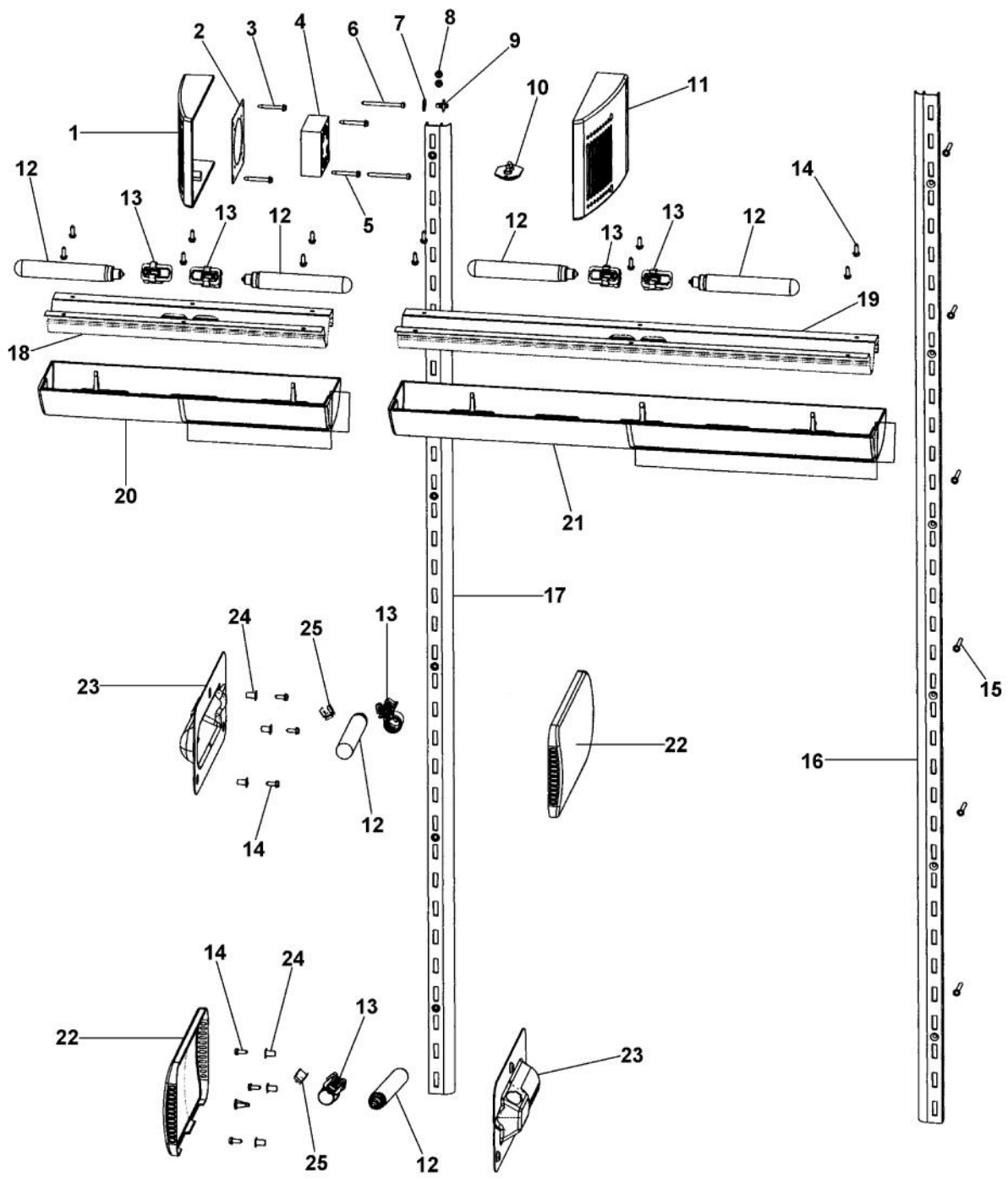
Ref #	Part Number	Qty.	Description
1	F2096504		TUBE-DRIER EXT
2	F2096507		TUBE-PROCESS GRN
3	G5097976		COMPRESSOR ASSEMBLY (363 AND 483)
4	K20912569		BRACKET GRILLE SUPPORT
5	M0238616		SCREW-SM
6	K2096943		PANEL BRACKET
7	M0211016		SCREW-SM
8	PC920204		HINGE ASM UL
9	PC920203		HINGE ASM UR
10	PD940088		SCREW, 1/4 X 20 HEX WASHER SERRATED
11	M0102303		CLAMP-TUBE VM0102303
12	PB920171		CONDENSER ASM
13	G5096494		COND. FAN ASSY
14	F2099443		TUBE DISCHARGE FORMED PRE ACCUM
15	PB920201		ACCUMULATOR
16	F2099444		TUBE DISCHARGE FORMED POST ACCUM
17	PE970449		INVERTER ASSEMBLY
18	K20912585		DIVERTER AIR HI SIDE SXS
19	10743201		DRIER, HI SIDE
20	10547001		CLIP-DRIER V10547001
21	M0232929		SCREW-SE



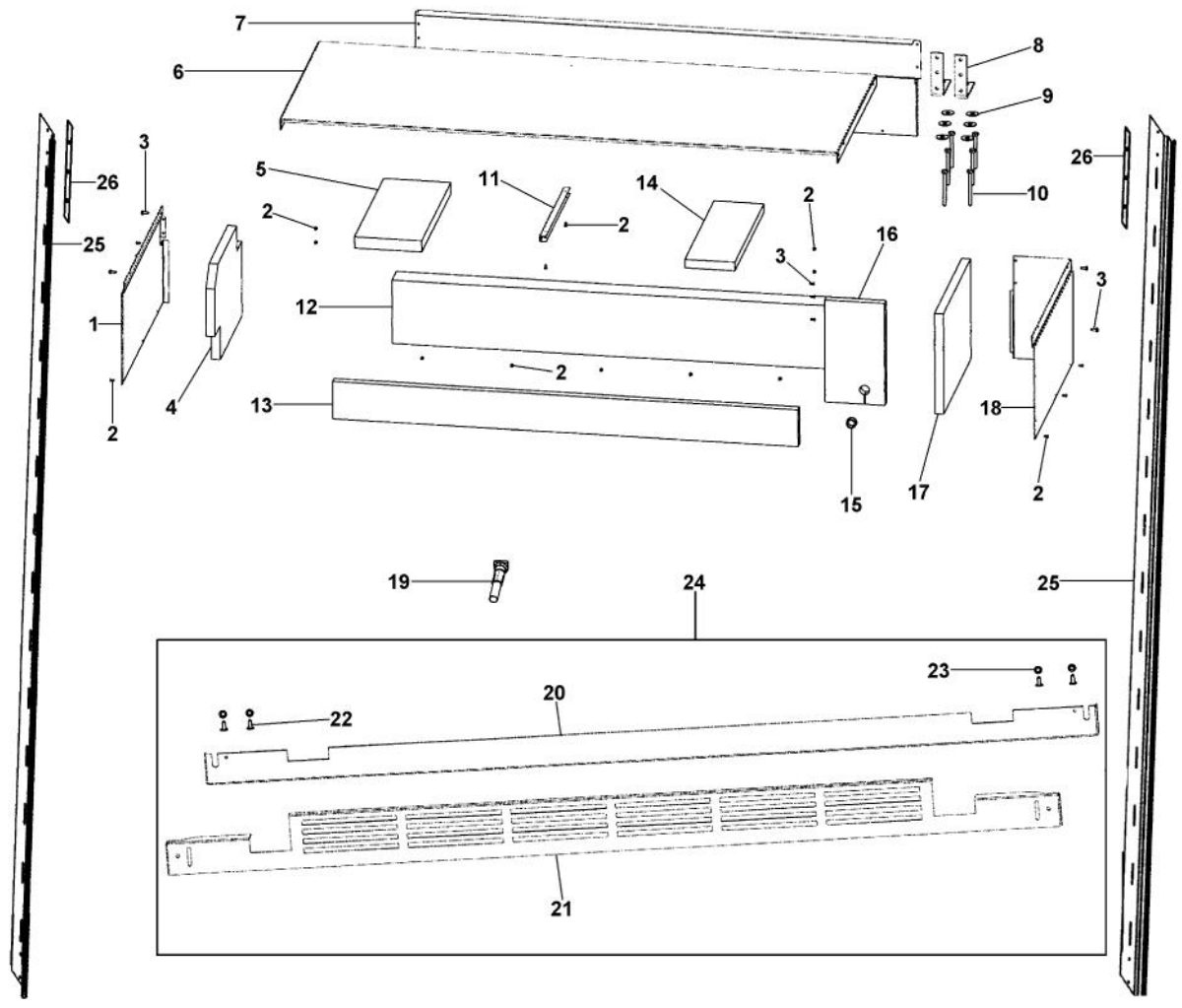
Ref #	Part Number	Qty.	Description
1	A4539601		SUB TO PC040010 - RIVET-POP VA4539601
2	K2099402		CONTROL BOX
3	12074703		INSUL-CONT BOX V12074703
4	PE950150		SPDT ROCKER SW. W/LEGEND
5	K20910062		CONTROL BOX TOP
6	M0238846		SCREW-SHLDR
7	10835901		GROMMET RUBBER V10835901
8	A4554817		BUSHING-SNAP VA4554817
9	M0104106		CLIP-CORD VM0104106
10	K20910060		BRACKET - PC
11	PE970465		HARNESS HIGH VOLT
12	PE970464		HARNESS LOW VOLT
13	PE970463		POWER CONTROL BOARD
14	PE970603		LOW VOLTAGE BOARD
	G50911825		LOW VOLT BOARD KIT (G SERIES)
15	PM910325		FILM PROTECTIVE
16	M0585504		SUPPORT
17	PE970609		HARNESS CONTROL BOARD
18	K20910061		CONTROL BOX FRONT
19	M0238616		SCREW-SM
20	PE950149		SWITCH POWER
21	K2098654		BRACKET SWITCH POWER
22	12235201		SWITCH-KEYBOARD
23	PK930248		COVER PANEL 48 SXS
24	PE980002		SUB TO PE950172 - OVERLAY KEYBOARD SXS 48
NI	10916507		TUBE-PROCESS GRN



Ref #	Part Number	Qty.	Description
1	PC910015		SPRING EXTENSION
2	PC920166		BAR-WC BOT HINGE RH
3	PC920149		BAR-WC BOT HINGE LH
4	PC920145		PIN - DOOR STOP
5	PD940091		BUSHING - DOOR STOP
6	PC920144		PLATE - WC DOOR SHIM
7	G3298649		HINGE ASM COMPLETE LL
8	G3298648		HINGE ASM COMPLETE LR
9	PD940088		SCREW, 1/4 X 20 HEX WASHER SERRATED
10	F2099467		SXS SERPENTINE
11	PK930348		PAN DRAIN (AFTER 2/23/05)
	12071301		PAN-DRAIN (NON-ANTIMICROBIAL) (BEFORE 2/23/05)
12	B5705313		TUBE-PLASTIC NO.
13	PD940107		ROUND SPRING SPACER
14	M0221523		SCREW - SHLDR
15	PM910399		LEVELER MODULE L
16	PM910398		LEVELER ASSEMBLY - R
17	M0104106		CLIP-CORD VM0104106
18	PM910498		SLEEVE COMPRESSION 1/4
19	M0220417		SCREW-TC
20	PA970012		SINGLE WATER VALVE
21	PD930135		NUT COMPRESSION 1/4
22	PB920202		TUBE WATER VALVE
23	PD940094		BUSHING
24	PD030146		STAND OFF LOCK CLIP
25	K2098044		BRKT GRILLE SUPPORT
26	K2098096		BRKT GRILLE SUPPORT
27	K20911386		RAIL SHIELD BOTTOM
28	K20913040		BRACKET, CONDENSATE SUPPORT
29	12075003		MOTOR-REF FAN
30	K2099464		BRACKET FAN & VALVE
31	M0218137		SCREW-SM
32	PE950146		SWITCH SPDT BLACK
33	PE950147		SWITCH SPST NC BLACK
34	C9098045BK		BASE GRILLE SWITCH MOUNT - LH
35	C9098046BK		BASE GRILLE SWITCH MOUNT - RH

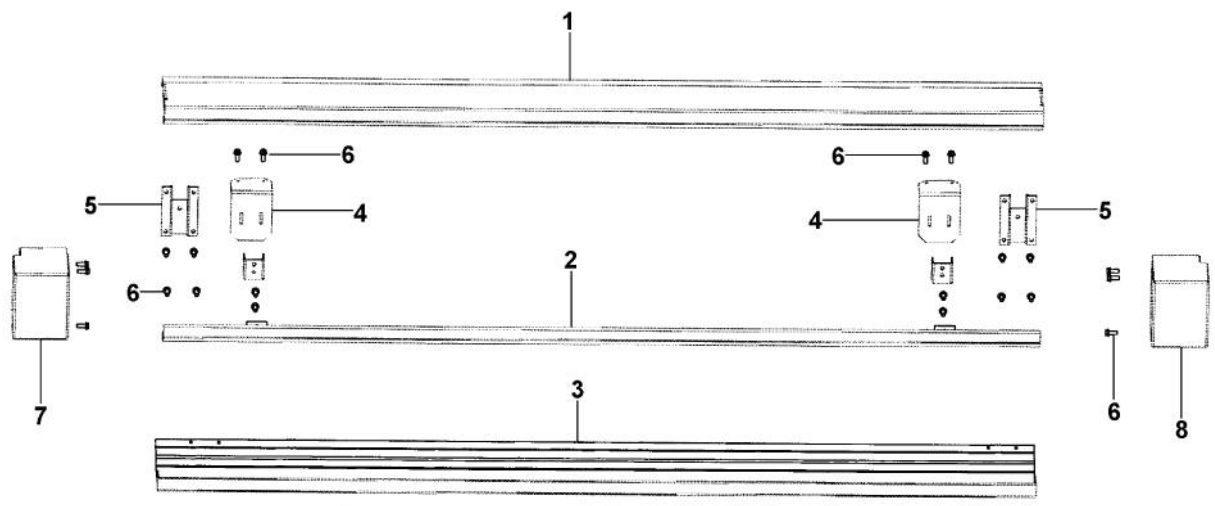


Ref #	Part Number	Qty.	Description
1	PK930086		COVER FAN SXS 48 FZ
2	K2096475		PLATE-FAN MNT 12404701
3	PD020188		SCR 8-18 BT HXWS 1 1/2
4	12075003		MOTOR-REF FAN
5	M0218136		SCREW-SM
6	M0221913		SCREW-SM
7	M0270528		WASHER
8	M0232903		SCREW-SE
9	12102501		RET-HARNESS
10	C8983701		THERMISTOR
11	PK930085		COVER FAN SXS 48 FF
12	A3079001		LAMP - 40W
13	PE950125		LIGHT SOCKET
14	M0238616		SCREW-SM
15	M0238535		SCREW-SM
16	PK920024		LADDER FF R
17	PK920023		LADDER FF L
18	L2099475		BRACKET LIGHT SXS FZ
19	L2099492		BRACKET LIGHT SXS 48 FF
20	PK930116		COVER LIGHT ASM SXS 42 FZ
21	PK930268		COVER LIGHT ASM AF AR 30 SXS 48 FF
22	PK930346		COVER LIGHT
23	10270203		HOUSING-LIGHT V10270203
24	M0580007		GROMMET-SCREW
25	B5733302		CLIP-GROUND

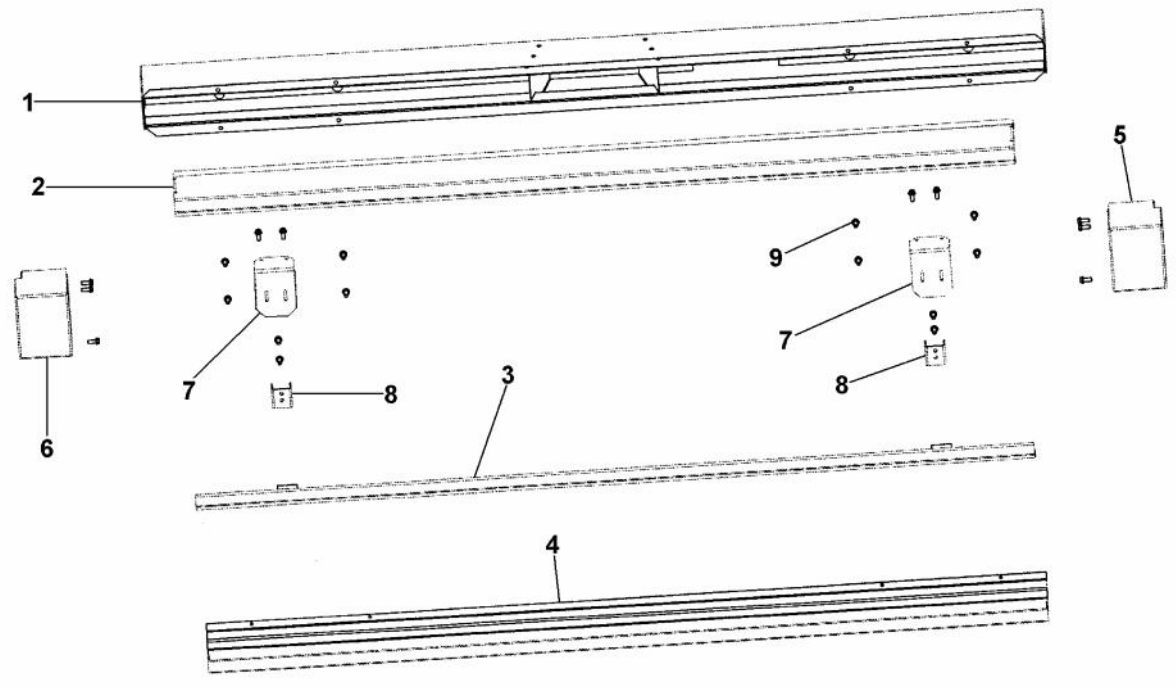




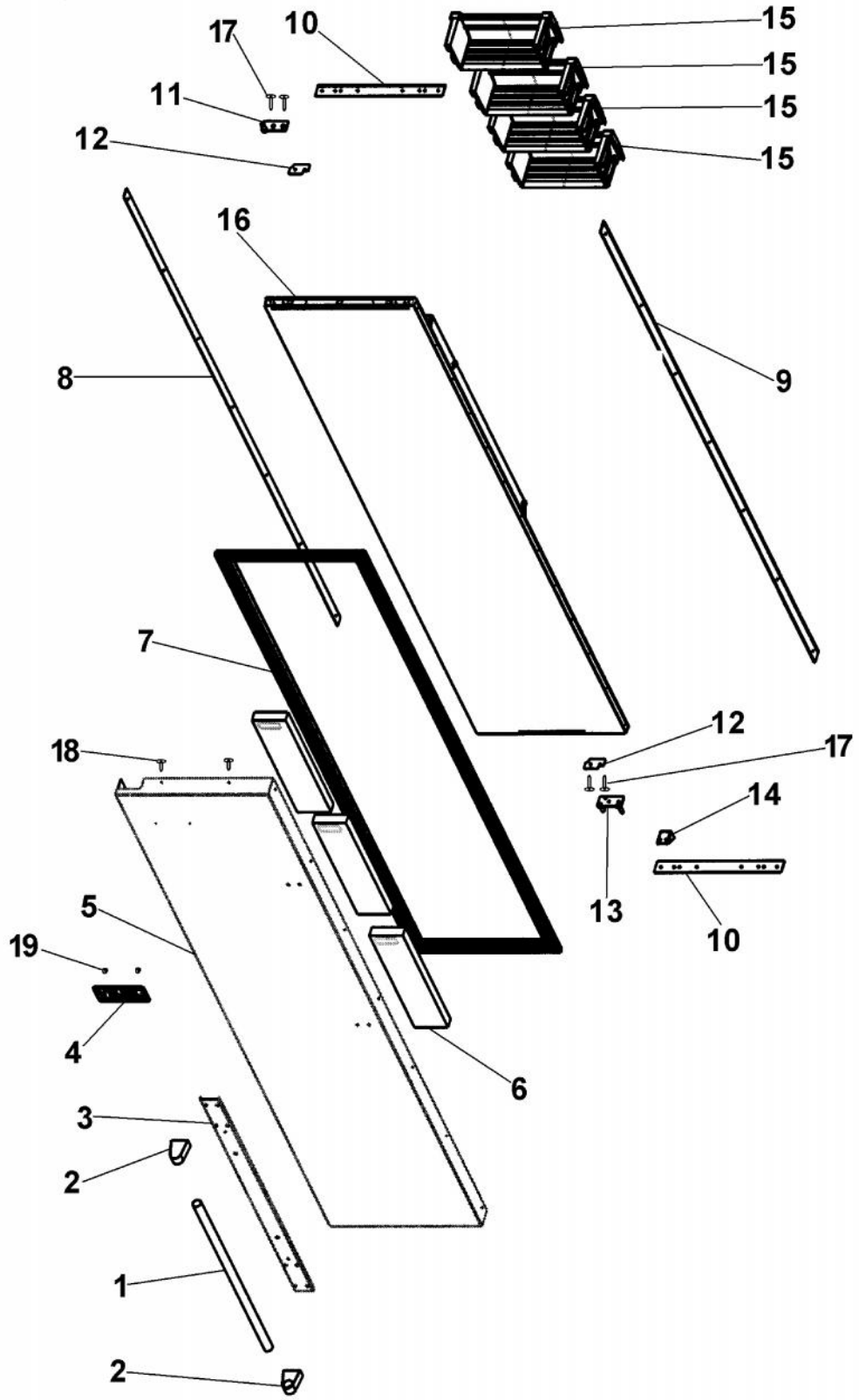
Ref #	Part Number	Qty.	Description
1	K2099460		MC SIDE L
2	A4539601		SUB TO PC040010 - RIVET-POP VA4539601
3	M0238616		SCREW-SM
4	12074601		INSUL-L MC CVR V12074601
5	12074704		INSUL-MC CVR
6	K20910007		MC TOP SXS 48
7	K20910008		MC BACK SXS 48
8	PK910089		BRACKET, ANTI - TIP
9	M0270510		WASHER
10	M0223509		SCREW-LAG
11	K2099455		SUPPORT MC Z
12	PB970174		INSUL MC BACK SXS 48 LOWER
13	PB970173		INSUL MC BACK SXS 48 UPPER
14	12074701		INSUL-MC CVR V12074701
15	A4554806		BUSHING-SNAP VA4554806
16	PB970171		MC INSULATION - BACK SIDE
17	12074702		INSUL-R MC CVR V12074702
18	K2099459		MC SIDE R
19	G5096419		FILL TUBE ASSY 10942511
20	C90910006BK		GRILLE TOE SOLID 48
21	C90910004BK		GRILLE TOE VENTED
22	M0210443		SCREW-E SM
23	4037P01		NYLON WASHER
24	G50910002		GRILLE TOE ASM COMPLETE SXS 48
25	PK910123		SIDE TRIM - PRO
	C9308011BR		CABINET SIDE TRIM - BR
26	12135402		SHIM-CAB TRIM



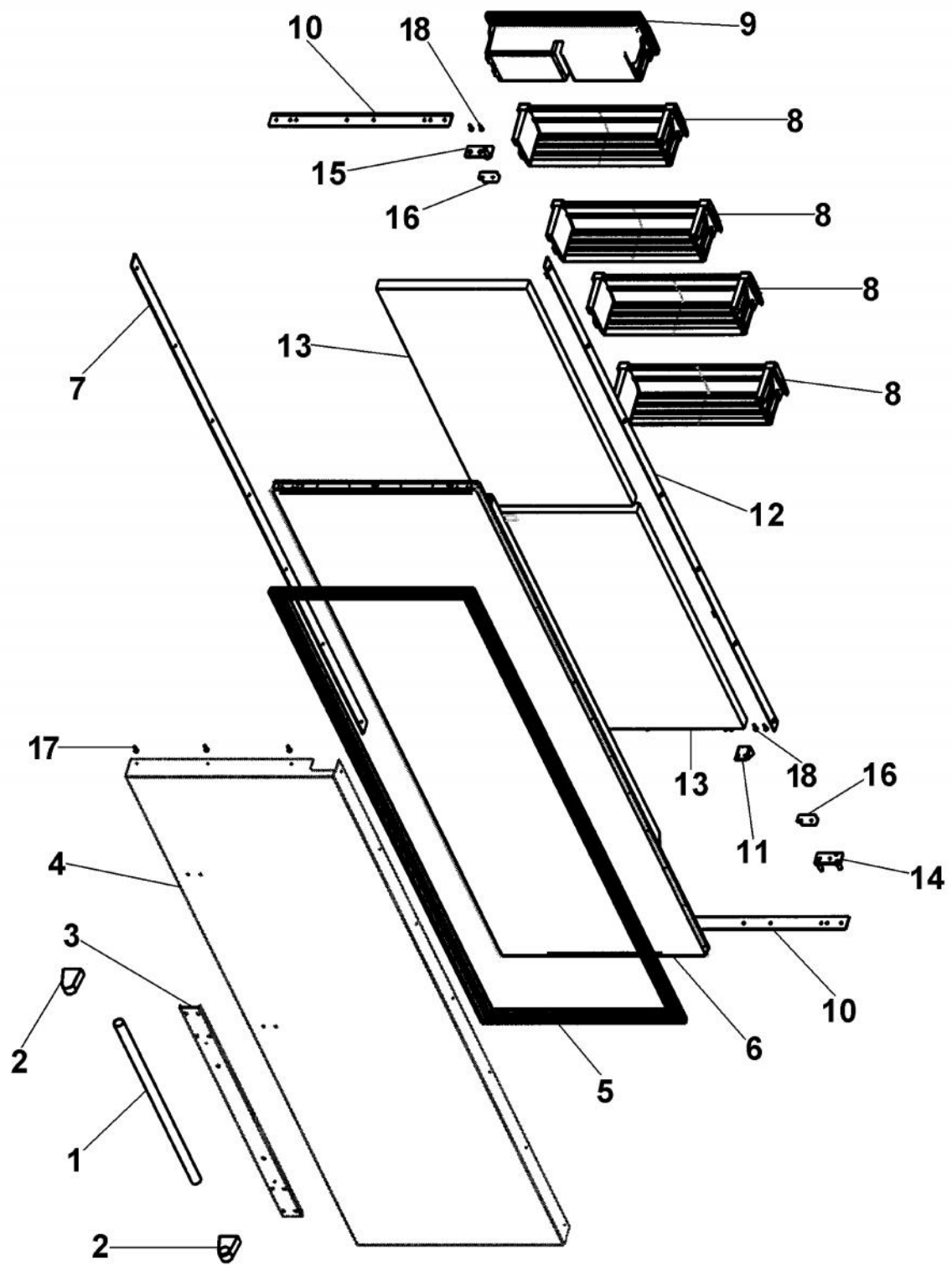
Ref #	Part Number	Qty.	Description
1	B20913079		GRILLE LOUVER TOP SXS 48 PRO
2	B20913081		GRILLE LOUVER MIDDLE SXS 48 PRO
3	B20913083		GRILLE LOUVER BOTTOM SXS 48 PRO
4	B2096962		BRACKET-LOUVER SUP
5	K20912362		BRACKET GRILLE
6	M0220417		SCREW-TC
7	B20911816		GRILLE ENDCAP PRO L
8	B20911817		GRILLE ENDCAP PRO R
NI	G32912578		GRILLE ASM SXS 48 PRO (ON OR AFTER 1/12/05)



Ref #	Part Number	Qty.	Description
1	G90910012BK		AIR DUCT WELD ASM COMPLETE 48
2	B2099021		LOUVER TOP 48 PRO
3	B2099022		LOUVER MID 48 PRO
4	B20910087		LOUVER BOTTOM SXS 48 PRO
5	B20911817		GRILLE ENDCAP PRO R
6	B20911816		GRILLE ENDCAP PRO L
7	B2096962		BRACKET-LOUVER SUP
8	B2096961		BRACKET-LOUVER
9	M0220417		SCREW-TC
NI	G32910013		GRILLE ASM SXS 48 PRO (BEFORE 1/12/05)



Ref #	Part Number	Qty.	Description
1	PE930101 PE030173PVD		VCSB482 HANDLE -(12466403) BRASS HANDLE
2	PE030001 PE030001PVD		BRACKET, DOOR, HANDLE END CAP DOOR HANDLE XBR
3	K2097526		BRACKET - HANDLE SUPPORT
4	PE010030 PE010068 PE010031 PE010076		LOGO, 6, PRO, BK LOGO, 6, PRO, BK/BR LOGO 6 (VGRC) XBK/WHX LOGO 6 (VGRC) XBR/WHX
5	B20910040 C90910040BK L20910040WH C90910040AL C90910040BT C90910040BU C90910040CB C90910040EP C90910040FG C90910040GG C90910040LE C90910040MJ C90910040SG C90910040VB		DOOR SKIN SXS 48 FZ PRO SS DOOR SKIN SXS 48 FZ PRO BK DOOR SKIN SXS 48 FZ PRO WH DOOR SKIN SXS 48 FZ PRO AL DOOR SKIN SXS 48 FZ PRO BT DOOR SKIN SXS 48 FZ PRO BU DOOR SKIN SXS 48 FZ PRO CB DOOR SKIN SXS 48 FZ PRO EP DOOR SKIN SXS 48 FZ PRO FG DOOR SKIN SXS 48 FZ PRO GG DOOR SKIN SXS 48 FZ PRO LE DOOR SKIN SXS 48 FZ PRO MJ DOOR SKIN SXS 48 FZ PRO SG DOOR SKIN SXS 48 FZ PRO VB
6	PM910332		ACCESORY ASSY
7	PB970186		GASKET FREEZER DOOR
8	PD940087		SPACER DOOR SKIN-HINGE SIDE (75.1)
9	PE940176		TRIM - DOOR SXS PRO SIDES
10	PK930269		DOOR TRIM BULL NOSE SXS 48 FZ
11	PC920132		PIVOT PLATE ASSY - LH
12	PD940092		SPACER - DOOR HINGE
13	PC920147		PIVOT PLATE ASSY - WC LH BOT
14	PD950007		STRIKER SWITCH
15	G5098676		DOORBIN ASM SXS 42 & 48 FZ
16	G50910036		DOOR ASM SXS 48 FZ
17	PD920174		10-32 TORX HEAD SCREW
18	M0210458		SCREW-SM
19	PD030006		CAPPED WASHER PAL NUT





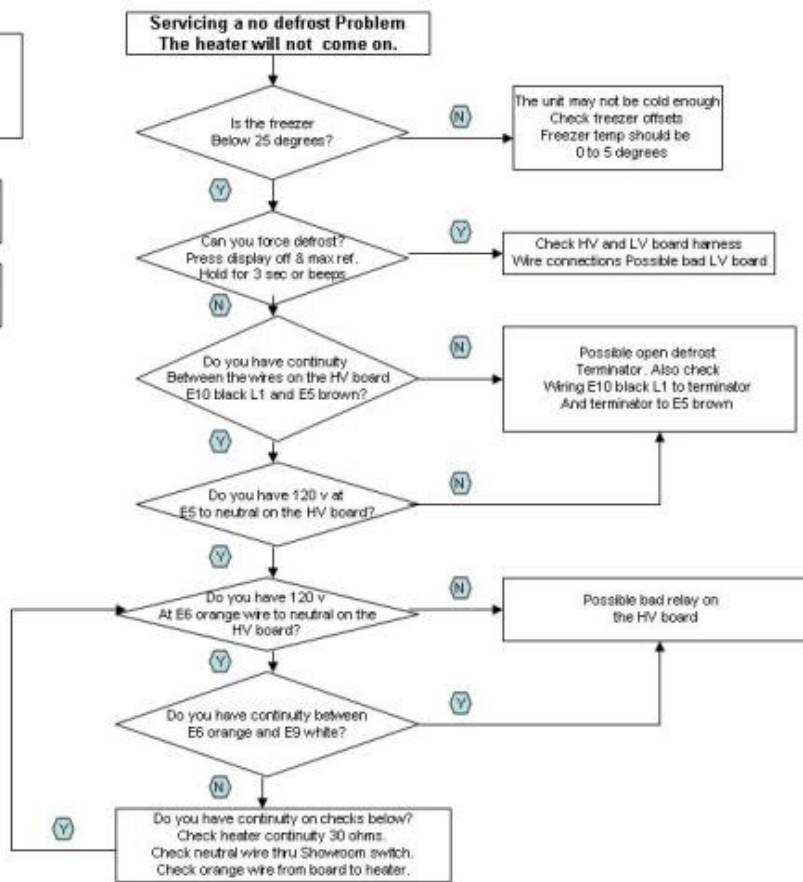
Ref #	Part Number	Qty.	Description
1	PE930101 PE030173PVD		VCSB482 HANDLE -(12466403) BRASS HANDLE
2	PE030001 PE030001PVD		BRACKET, DOOR, HANDLE END CAP DOOR HANDLE XBR
3	K2097526		BRACKET - HANDLE SUPPORT
4	B20910039 L20910039WH C90910039BK C90910039AL C90910039BT C90910039BU C90910039CB C90910039EP C90910039FG C90910039GG C90910039LE C90910039MJ C90910039SG C90910039VB		DOOR SKIN SXS 48 FF PRO DOOR SKIN SXS 48 FF PRO WH DOOR SKIN SXS 48 FF PRO BK DOOR SKIN SXS 48FF PRO AL DOOR SKIN SXS 48 FF PRO BT DOOR SKIN SXS 48 FF PRO BU DOOR SKIN SXS 48 FF PRO CB DOOR SKIN SXS 48 FF PRO EP DOOR SKIN SXS 48 FF PRO FG DOOR SKIN SXS 48 FF PRO GG DOOR SKIN SXS 48 FF PRO LE DOOR SKIN SXS 48 FF PRO MJ DOOR SKIN SXS 48 FF PRO SG DOOR SKIN SXS 48 FF PRO VB
5	PB970185		GASKET, REFRIGERATOR DOOR
6	G50910035		DOOR ASM SXS 48 FF
7	PE940176		TRIM - DOOR SXS PRO SIDES
8	G5099291		DOOR BIN ASM SXS 48 FF AND 30 AR
9	V12203602		DAIRY MODULE ASM
10	PK930270		DOOR TRIM BULL NOSE SXS 48 FF
11	PD950007		STRIKER SWITCH
12	PD940087		SPACER DOOR SKIN-HINGE SIDE (75.1)
13	PM910333		BLOCK EPS DOOR SKIN SXS 42 FF
14	PC920146		PIVOT PLATE ASSY - WC RH BOT
15	PC920133		PIVOT PLATE ASSY - RH
16	PD940092		SPACER - DOOR HINGE
17	M0210458		SCREW-SM
18	PD920174		10-32 TORX HEAD SCREW



## Refrigeration

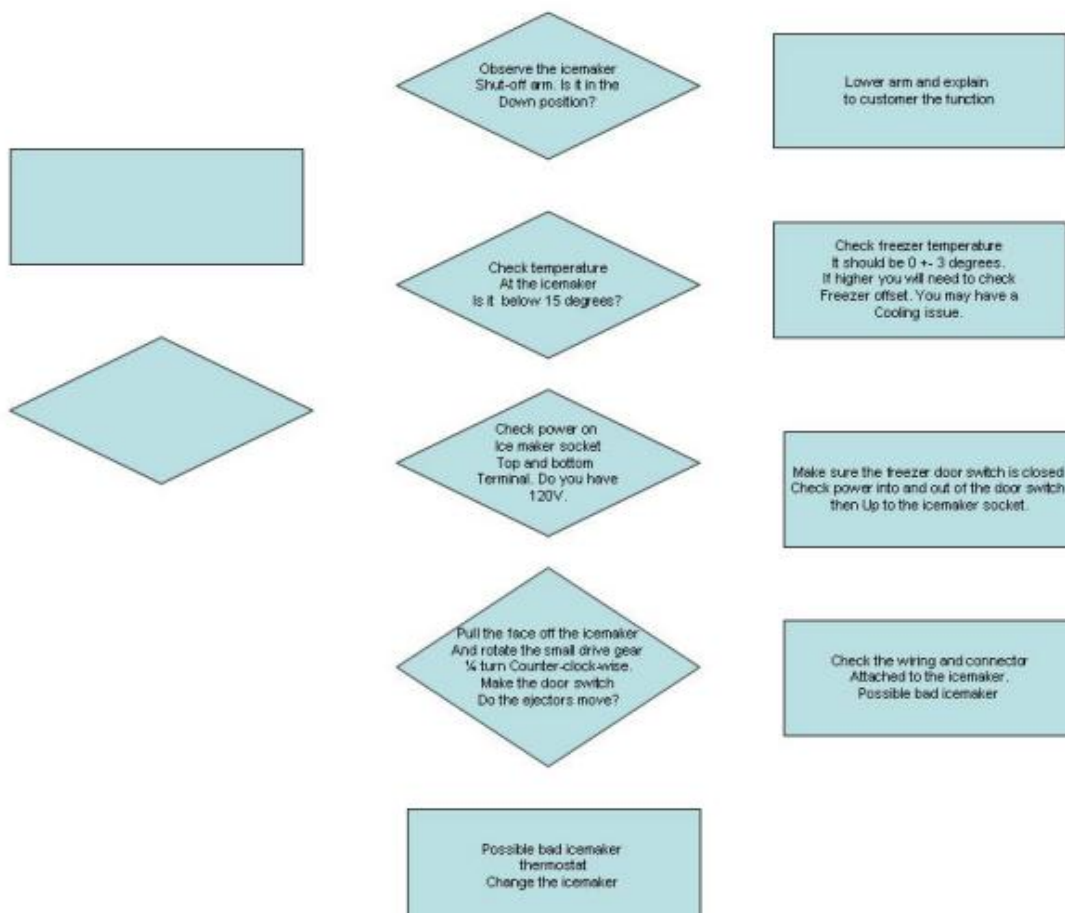
You must have a voltmeter that has ohm readings.

Do continuity checks with **power off**



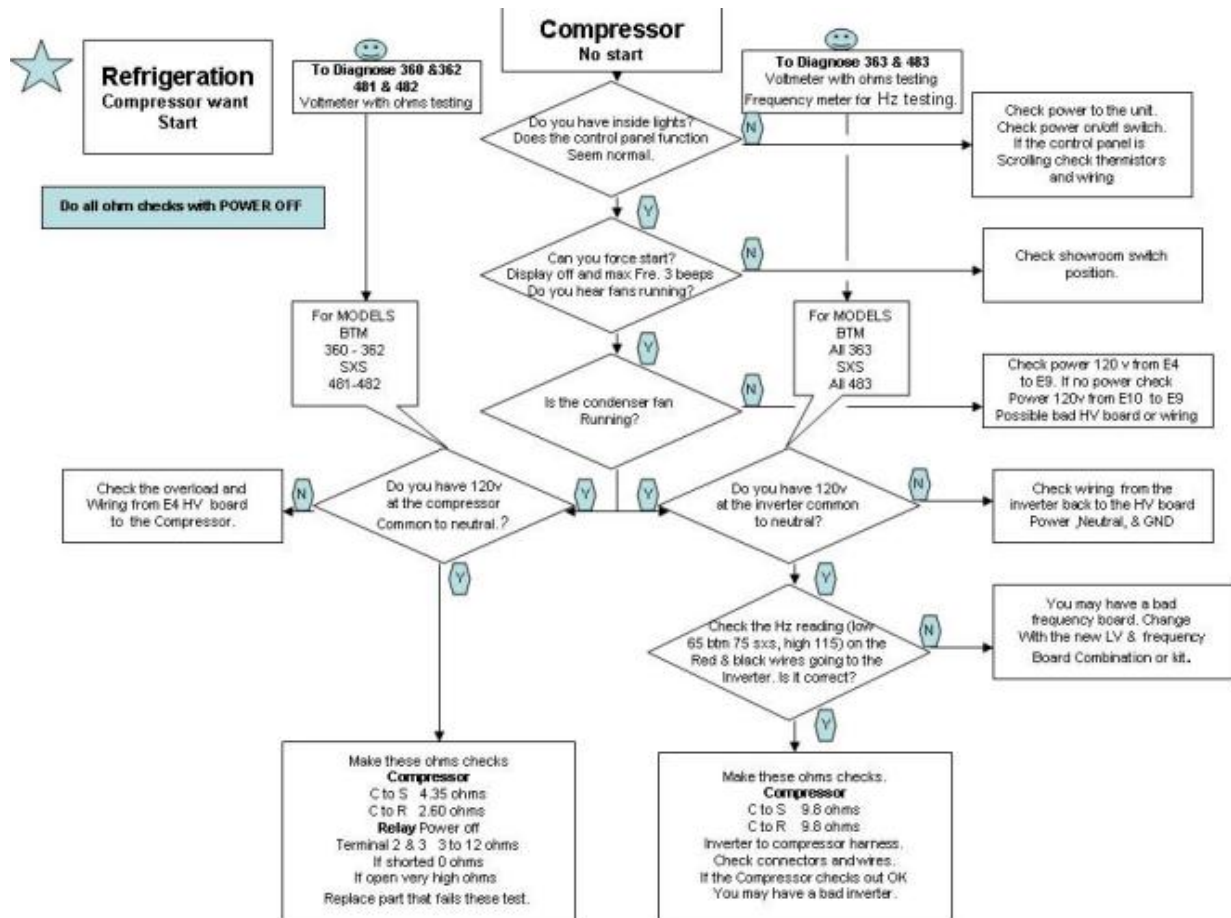
Ref #	Part Number	Qty.	Description
-------	-------------	------	-------------

---



Ref #	Part Number	Qty.	Description
-------	-------------	------	-------------

---



Ref #	Part Number	Qty.	Description
-------	-------------	------	-------------

---