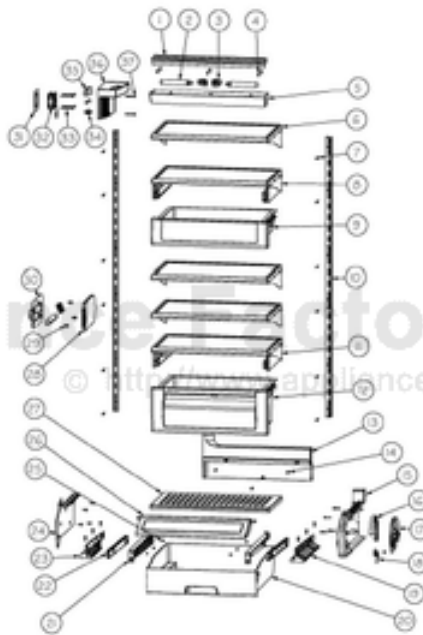


This Owner's Manual is provided and hosted by [Appliance Factory Parts](#).



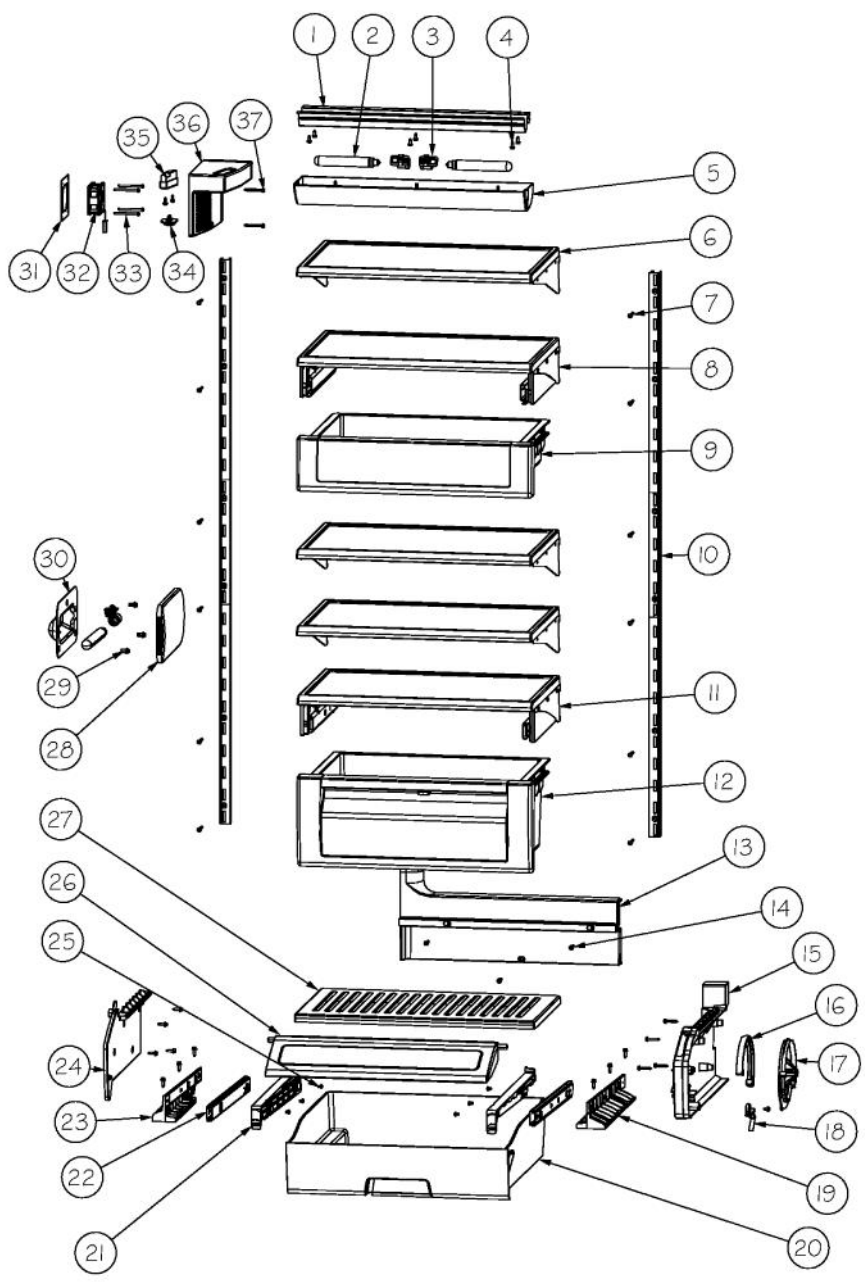
VIKING VCSB542 Owner's Manual

[Shop genuine replacement parts for VIKING VCSB542](#)

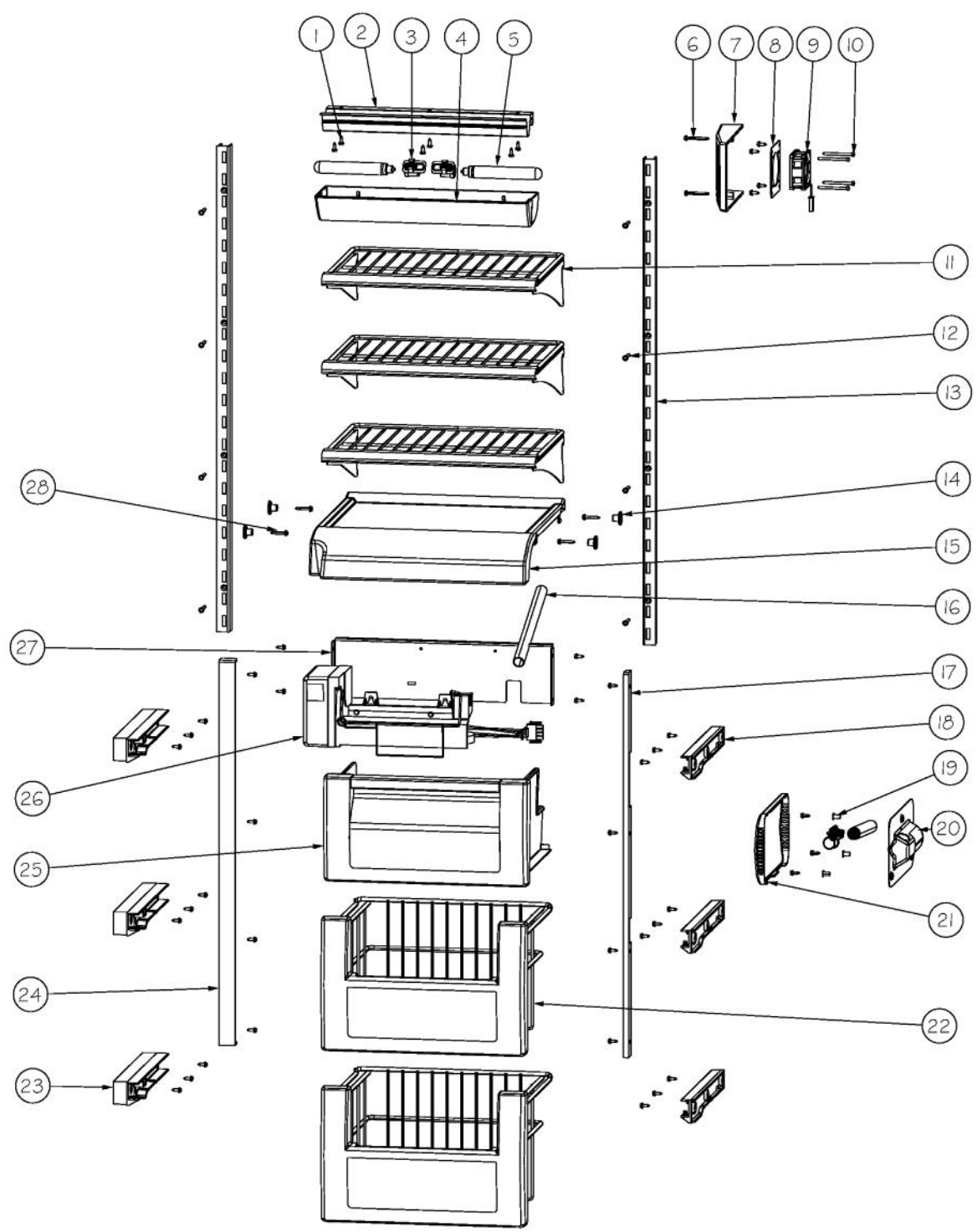


[Find Your VIKING Refrigerator Parts - Select From 341 Models](#)

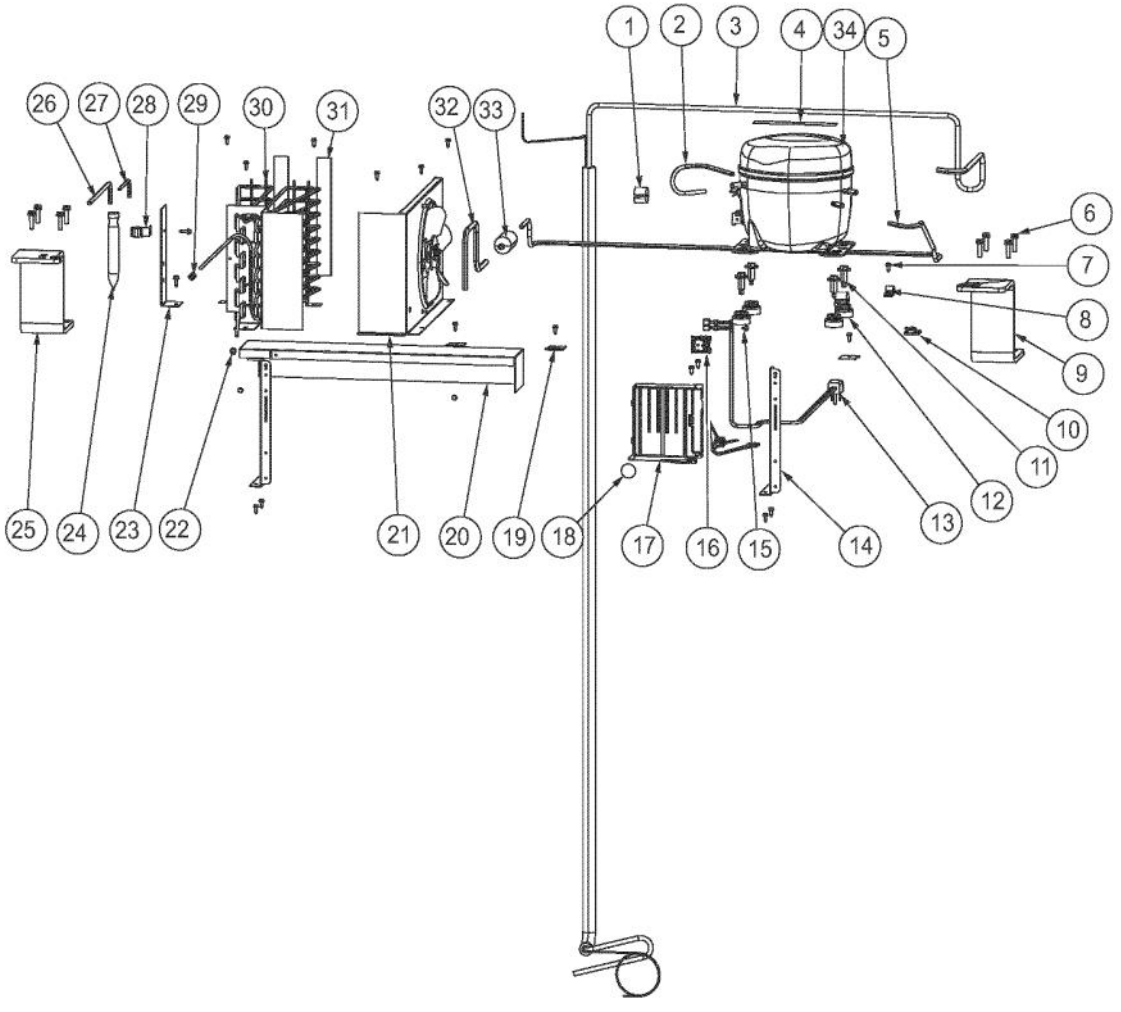
----- Manual continues below -----



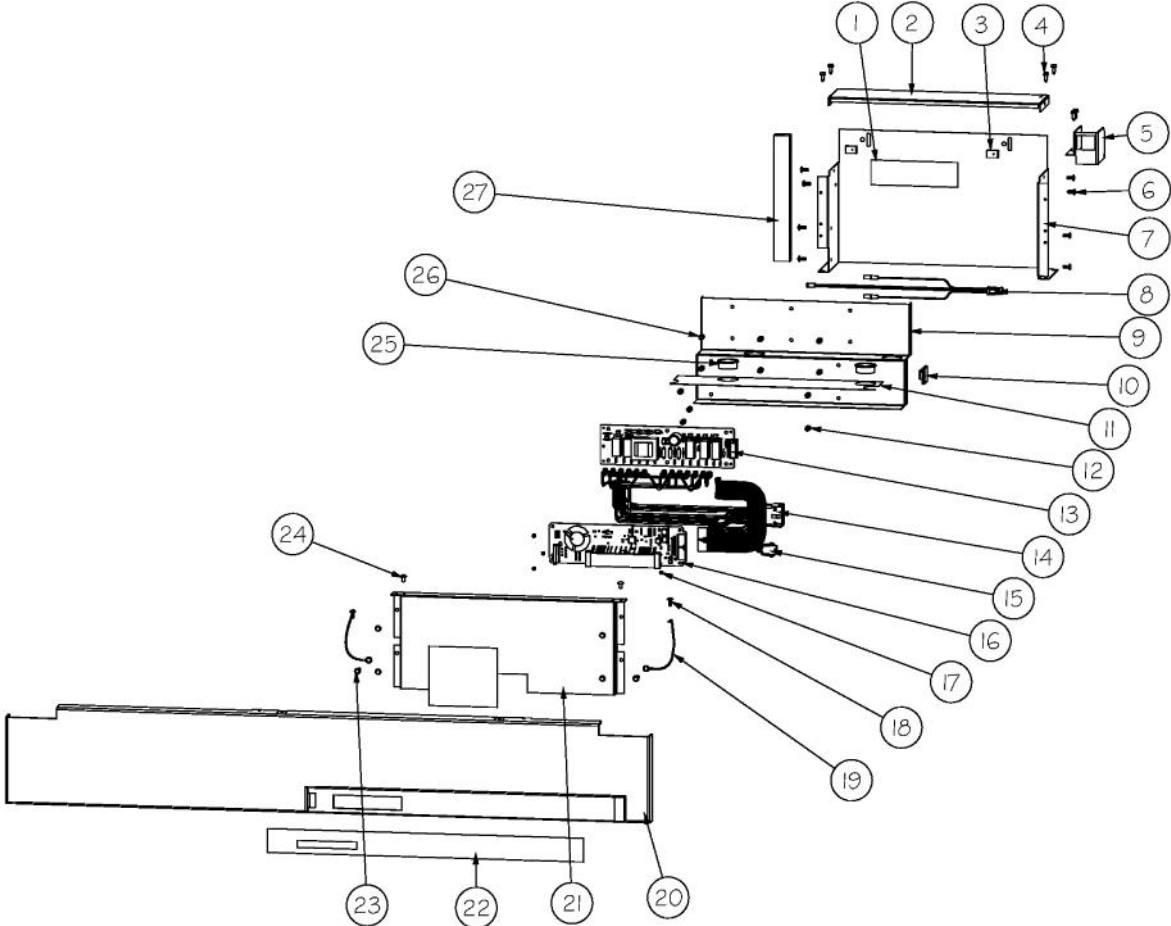
| Ref # | Part Number | Qty. | Description |
|-------|-------------|------|--------------------------------------|
| 1 | L2099474 | 1 | BRACKET LIGHT SXS 42 FF |
| 2 | 004528-000 | 3 | LAMP, 40 WATT BLUE LIGHT |
| 3 | PE950125 | 3 | LIGHT SOCKET |
| 4 | PD020195 | 24 | SCR 8-18 X 5/8 |
| 5 | PK930115 | 1 | COVER LIGHT ASM SXS 42 FF |
| 6 | PM910350 | 3 | SHELF ASM GLASS SXS 42 FF |
| 7 | M0238535 | 12 | SCREW-SM |
| 8 | G5099426 | 1 | SHELF & SLIDE ASM SXS 42 |
| 9 | G32910068 | 1 | DRAWER DELI & RAIL ASM SXS 42 |
| 10 | PM910227 | 2 | LADDER RS REF |
| 11 | G5099965 | 1 | SHELF AND SLIDE ASM SXS 42 |
| 12 | 012809-000 | 1 | PRODUCE DRAWER & RAIL ASM SXS 42 |
| 13 | PK930171 | 1 | DUCT MEAT SAVOR SXS 42 REAR |
| 14 | M0211021 | 3 | SCREW-SM |
| 15 | PK930169 | 1 | DUCT MEAT SAVOR SXS 42/48 R |
| 16 | PK930172 | 1 | COVER CONTROL MEAT SAVOR |
| 17 | PK930168 | 1 | DIAL CONTROL MEAT SAVOR |
| 18 | PM910334 | 1 | ROLLER TENSION |
| 19 | PK930173 | 1 | SUPPORT SLIDE MEAT SAVOR SXS 42/48 R |
| 20 | PK930114 | 1 | DRAWER MEAT SAVOR SXS 42 |
| 21 | PK930176 | 1 | SUPPORT DRAWER MEAT SAVOR 42/48 L |
| 22 | PM910288 | 1 | SLIDE MEAT SAVOR L |
| 23 | PK930174 | 1 | SUPPORT SLIDE MEAT SAVOR SXS 42/48 L |
| 24 | PK930170 | 1 | DUCT MEAT SAVOR SXS 42 L |
| 25 | PD920162 | 2 | SCR 8-16 PLASTITE PNP 1/4 S |
| 26 | 009913-000 | 1 | MEAT SAVOR DOOR 42/42D |
| 27 | PK930120 | 1 | SHELF MEAT SAVOR SXS 42 |
| 28 | PK930346 | 1 | COVER LIGHT |
| 29 | M0580007 | 3 | GROMMET-SCREW |
| 30 | 10270203 | 1 | HOUSING-LIGHT V10270203 |
| 31 | 007302-000 | 1 | BRACKET,FAN |
| 32 | 004551-000 | 1 | AXIAL FAN |
| 33 | M0221913 | 4 | SCREW-SM |
| 34 | C8983701 | 1 | THERMISTOR |
| 35 | 010093-000 | 1 | PLASMA CLUSTER |
| 36 | 012312-000 | 1 | FAN COVER SXS |
| 37 | PD020188 | 2 | SCR 8-18 BT HXWS 1 1/2 |



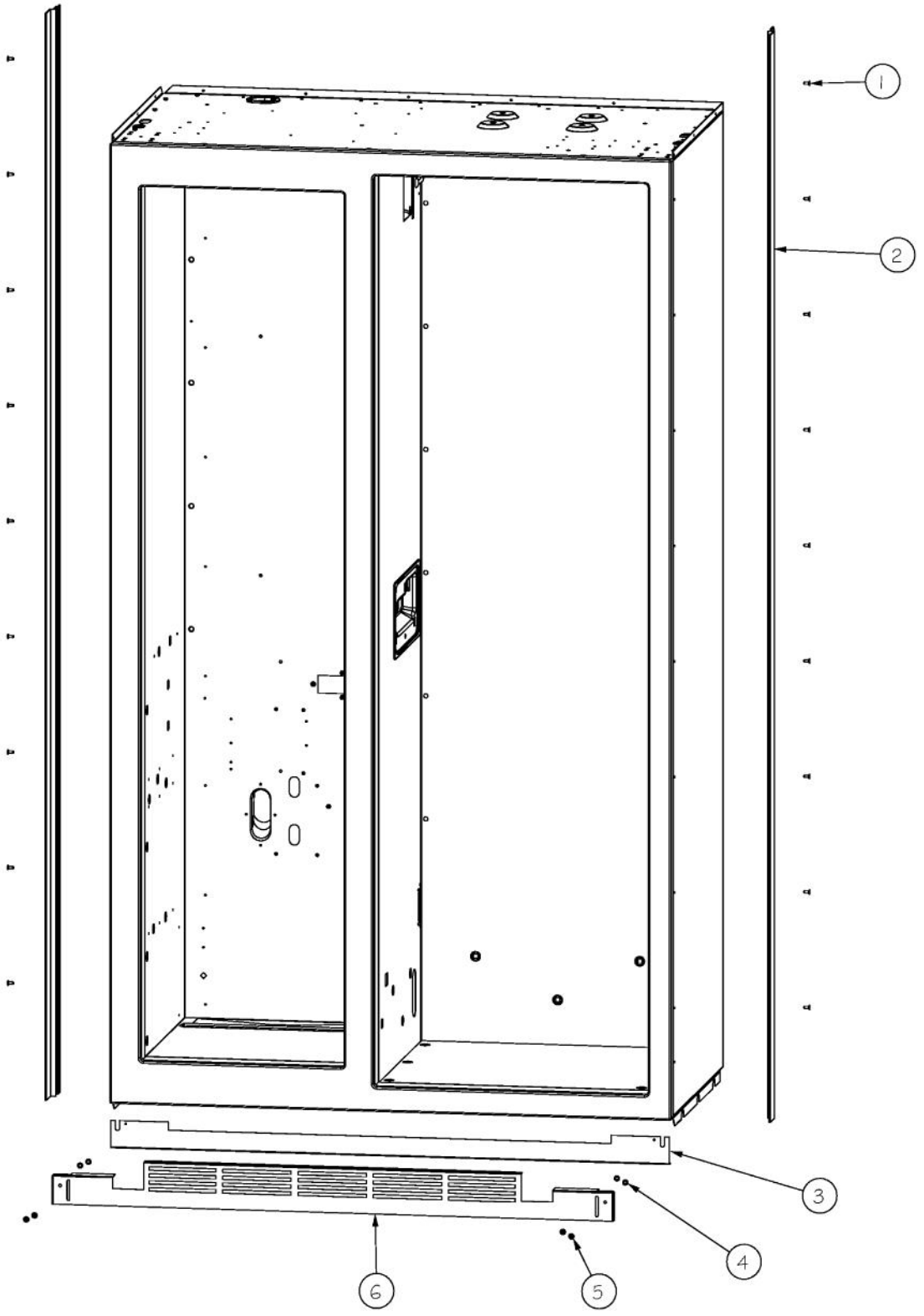
| Ref # | Part Number | Qty. | Description |
|-------|-------------|------|---------------------------|
| 1 | PD020194 | 43 | SCREW-SM |
| 2 | L2099475 | 1 | BRACKET LIGHT SXS FZ |
| 3 | PE950125 | 3 | LIGHT SOCKET |
| 4 | PK930116 | 1 | COVER LIGHT ASM SXS 42 FZ |
| 5 | A3079001 | 3 | LAMP - 40W |
| 6 | PD020188 | 2 | SCR 8-18 BT HXWS 1 1/2 |
| 7 | PK930086 | 1 | COVER FAN SXS 48 FZ |
| 8 | 007302-000 | 1 | BRACKET,FAN |
| 9 | 004551-000 | 1 | AXIAL FAN |
| 10 | M0221913 | 4 | SCREW-SM |
| 11 | PM910189 | 3 | SHELF WIRE FZ |
| 12 | M0238535 | 8 | SCREW-SM |
| 13 | 12231701 | 2 | LADDER-FZ L/R SIDE |
| 14 | 12258501 | 4 | SUPPORT-SHELF |
| 15 | PK930079 | 1 | SHELF COVER SXS 48 FZ |
| 16 | A3127415 | 1 | EXT-FILL TUBE |
| 17 | 12304301 | 1 | CLOSEOUT-FZ SIDE NO. |
| 18 | PK930074 | 3 | GLIDE SXS 48 FZ R |
| 19 | M0580007 | 3 | GROMMET-SCREW |
| 20 | 10270203 | 1 | HOUSING-LIGHT V10270203 |
| 21 | PK930346 | 1 | COVER LIGHT |
| 22 | PM910190 | 2 | BASKET ASM FZ |
| 23 | PK930075 | 3 | GLIDE SXS 48 FZ L |
| 24 | PK930073 | 1 | CLOSEOUT SIDE SXS 48 FZ L |
| 25 | PK930076 | 1 | ICE PAN ASM SXS 48 |
| 26 | G50911851 | 1 | ICE MAKER ASM, SXS ND, AF |
| 27 | C2097183 | 1 | SUPPORT IM ND SXS 48 |
| 28 | M0211021 | 4 | SCREW-SM |



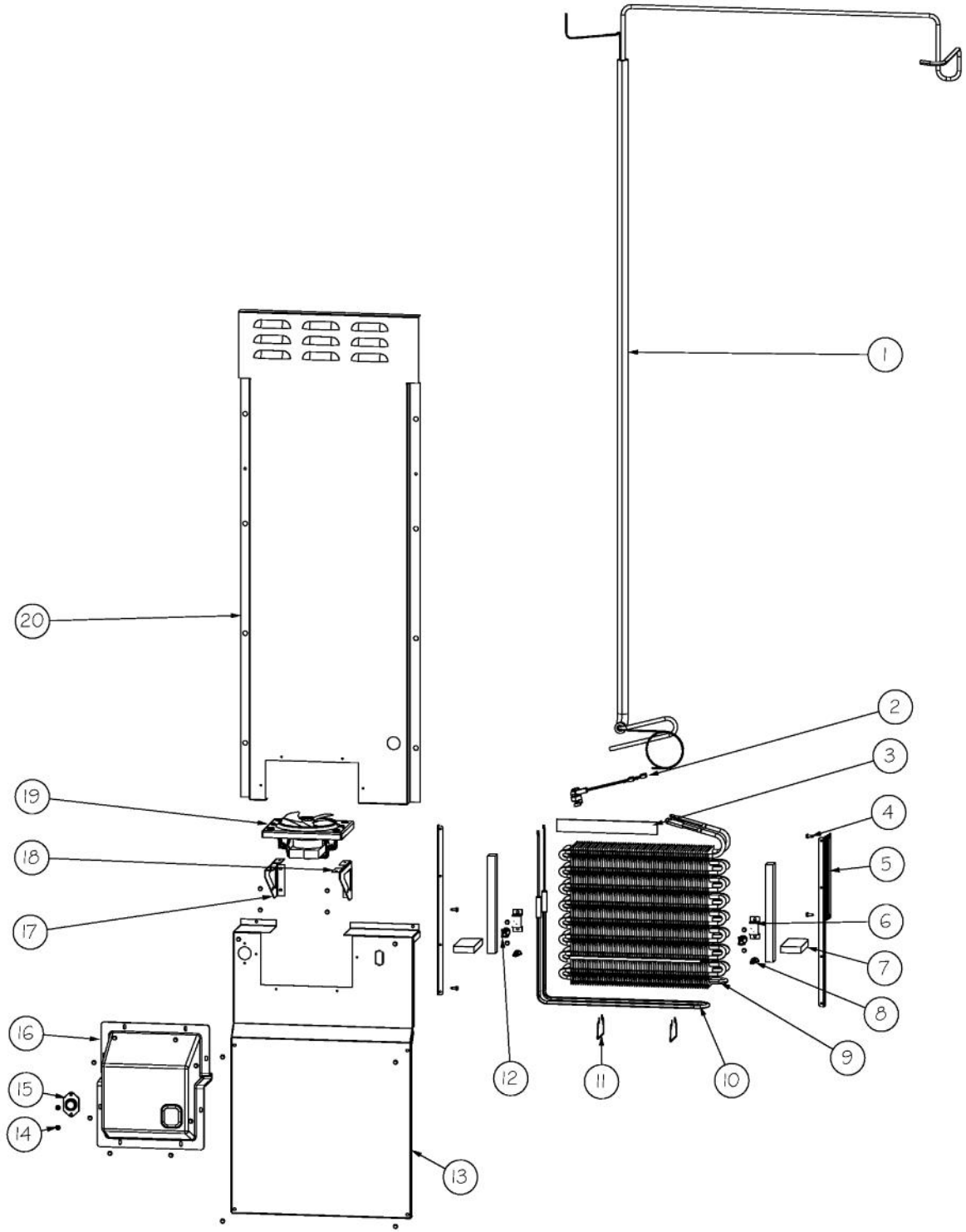
| Ref # | Part Number | Qty. | Description |
|-------|-------------|------|---------------------------------|
| 1 | 10699601 | 2 | DAMPER-TUBING .8 |
| 2 | F2096507 | 1 | TUBE-PROCESS GRN |
| 3 | F2097793 | 1 | TUBE FORMED HT EXCH |
| 4 | C8982701 | 1 | LABEL-COMP WARN |
| 5 | F2099443 | 1 | TUBE DISCHARGE FORMED PRE ACCUM |
| 6 | 000570-000 | 8 | HEX SCREW |
| 7 | PD020195 | 20 | SCR 8-18 X 5/8 |
| 8 | PD030118 | 1 | SCREW - SHLDR |
| 9 | PC920203 | 1 | HINGE ASM UR |
| 10 | M0104106 | 1 | CLIP-CORD VM0104106 |
| 11 | M0221523 | 4 | SCREW - SHLDR |
| 12 | 10835901 | 4 | GROMMET RUBBER V10835901 |
| 13 | 10916507D | 1 | POWER CORD |
| 14 | K20912569 | 2 | BRACKET GRILLE SUPPORT |
| 15 | M0211014 | 1 | SCREW-SM |
| 16 | PE950149 | 1 | SWITCH POWER |
| 17 | 011666-000 | 1 | INVERTER CMPRESSOR |
| 18 | PF930682 | 1 | LABEL WARNING INVERTER |
| 19 | K2096943 | 3 | PANEL BRACKET |
| 20 | K20912585 | 1 | DIVERTER AIR HI SIDE SXS |
| 21 | G5096494 | 1 | COND. FAN ASSY |
| 22 | 007408-000 | 1 | RING,LOK, .250 DIA |
| 23 | K2099454 | 1 | BRACKET DRIER |
| 24 | PM910381 | 1 | DRIER - HIGH SIDE |
| 25 | PC920193 | 1 | HINGE ASSEM UPPER RH |
| 26 | F2097740 | 1 | TUBE PROCESS |
| 27 | F2096504 | 1 | TUBE-DRIER EXT |
| 28 | 10547001 | 1 | CLIP-DRIER V10547001 |
| 29 | 007407-000 | 1 | RING,LOK, .187 DIA |
| 30 | PB920171 | 1 | CONDENSER ASM |
| 31 | A3189370 | 2 | GASKET-FOAM VA3189370 |
| 32 | 008093-000 | 1 | TUBE EVACUTION |
| 33 | PB920201 | 1 | ACCUMULATOR |
| 34 | PM010619 | 1 | COMPRESSOR VCC |



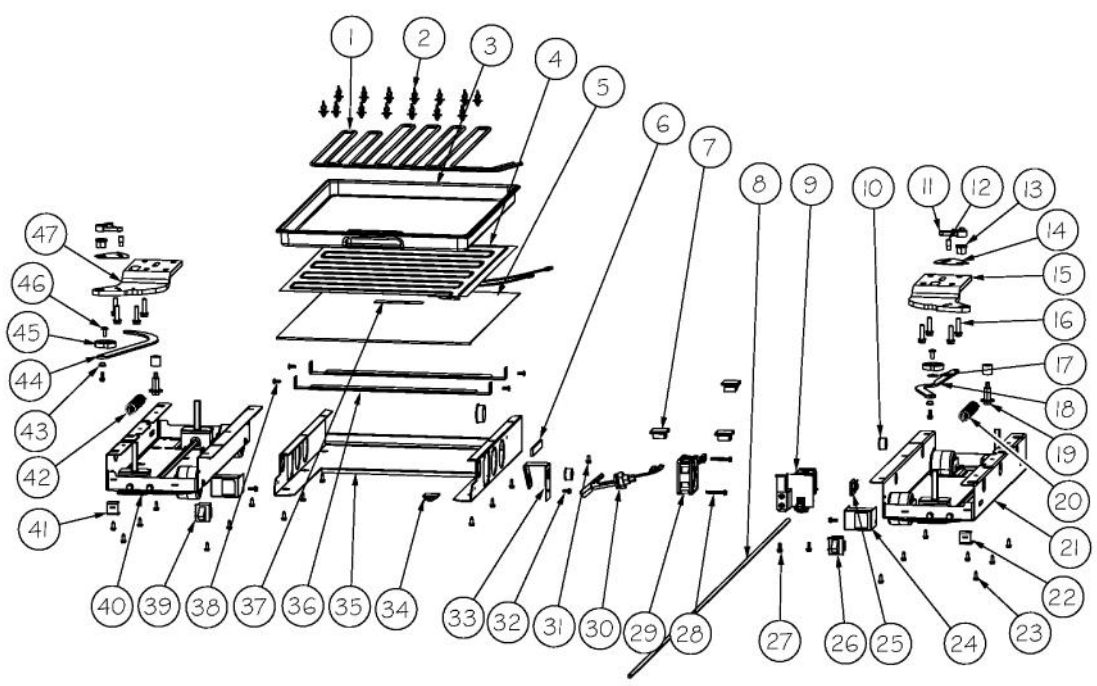
| Ref # | Part Number | Qty. | Description |
|-------|-------------|------|-----------------------------------|
| 1 | PF930672 | 2 | LABEL DC COMPRESSOR |
| 2 | K20915000 | 1 | CONTROL BOX TOP |
| 3 | M0288120 | 2 | NUT-SPEED, VM0288120 |
| 4 | PD020194 | 10 | SCREW-SM |
| 5 | K2098654 | 1 | BRACKET SWITCH POWER |
| 6 | PC040010 | 8 | POP RIVET |
| 7 | K2099402 | 1 | CONTROL BOX |
| 8 | PE970609 | 1 | HARNESS CONTROL BOARD |
| 9 | K20910060 | 1 | BRACKET - PC |
| 10 | M0104106 | 1 | CLIP-CORD VM0104106 |
| 11 | 005396-000 | 1 | FILM,PROTECTIVE |
| 12 | M0585506 | 5 | SUPPORT |
| 13 | 005319-000 | 1 | POWER CONTROL BOARD ASM |
| 14 | 015365-000 | 1 | HARNESS HIGH VOLT |
| 15 | PE970464 | 1 | HARNESS LOW VOLT |
| 16 | PE070728 | 1 | BOARD LOW VOLTAGE |
| 17 | PD020013 | 5 | TYPE AB NO.6 X 3/8 PH PAN HD. SMS |
| 18 | PC040010 | 1 | POP RIVET |
| 19 | 12064001 | 2 | SUPP-CONT PANEL |
| 20 | PK930230 | 1 | CONTROL PANEL SXS 42 |
| 21 | K20910061 | 1 | CONTROL BOX FRONT |
| 22 | 010492-000 | 1 | OVERLAY SWITCH SXS 42 |
| 23 | M0238846 | 2 | SCREW-SHLDR |
| 24 | M0224128 | 2 | SCREW-SM |
| 25 | A4554817 | 2 | BUSHING-SNAP VA4554817 |
| 26 | M0585504 | 6 | SUPPORT |
| 27 | A3030361 | 1 | GASKET, RED |



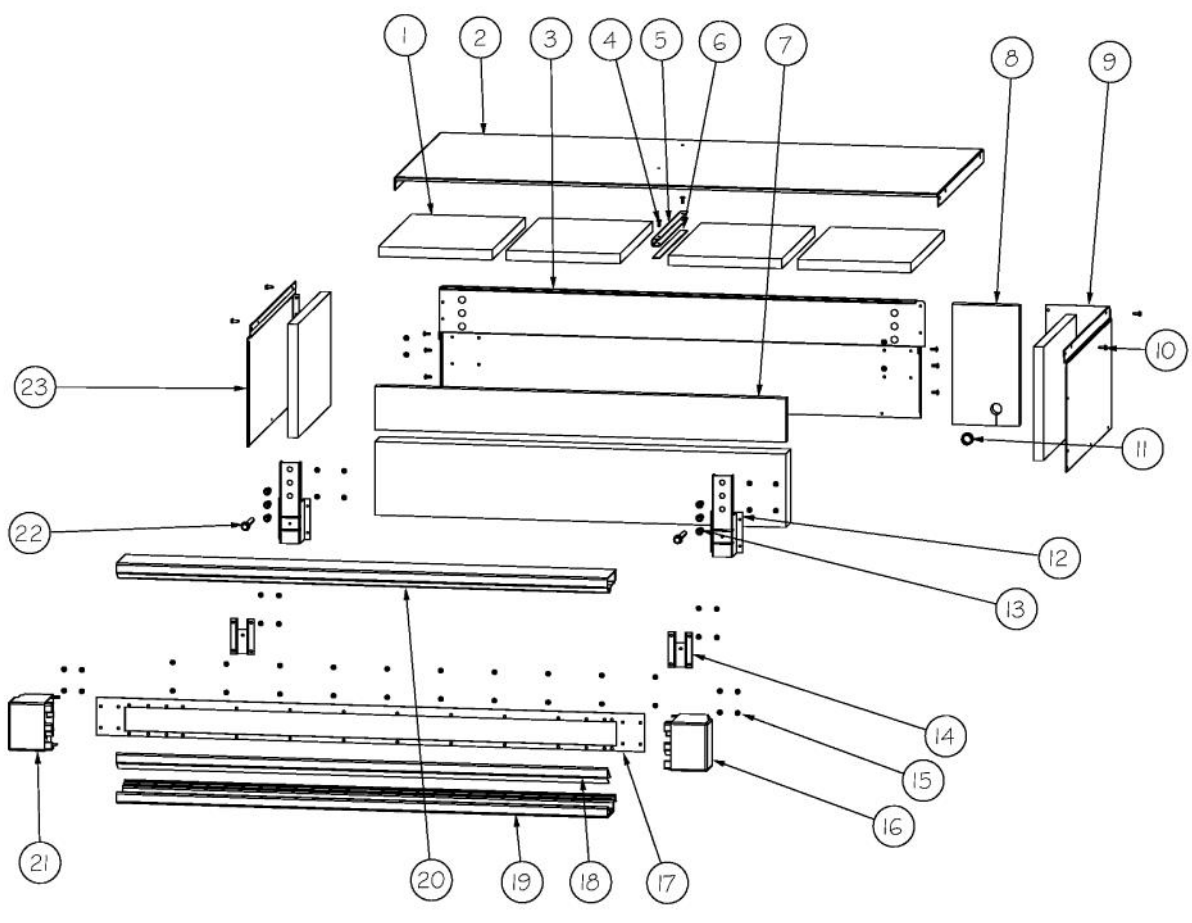
| Ref # | Part Number | Qty. | Description |
|-------|-------------|------|-----------------------------|
| 1 | M0215318 | 18 | SCREW-SM |
| 2 | PK910123 | 2 | SIDE TRIM - PRO |
| 3 | 000207-002 | 1 | KICKPLATE, LWR |
| 4 | 40370P01 | 4 | NYLON FLAT WASHER V40370P01 |
| 5 | M0210443 | 4 | SCREW-E SM |
| 6 | C9097789 | 1 | GRILLE TOE VENTED |



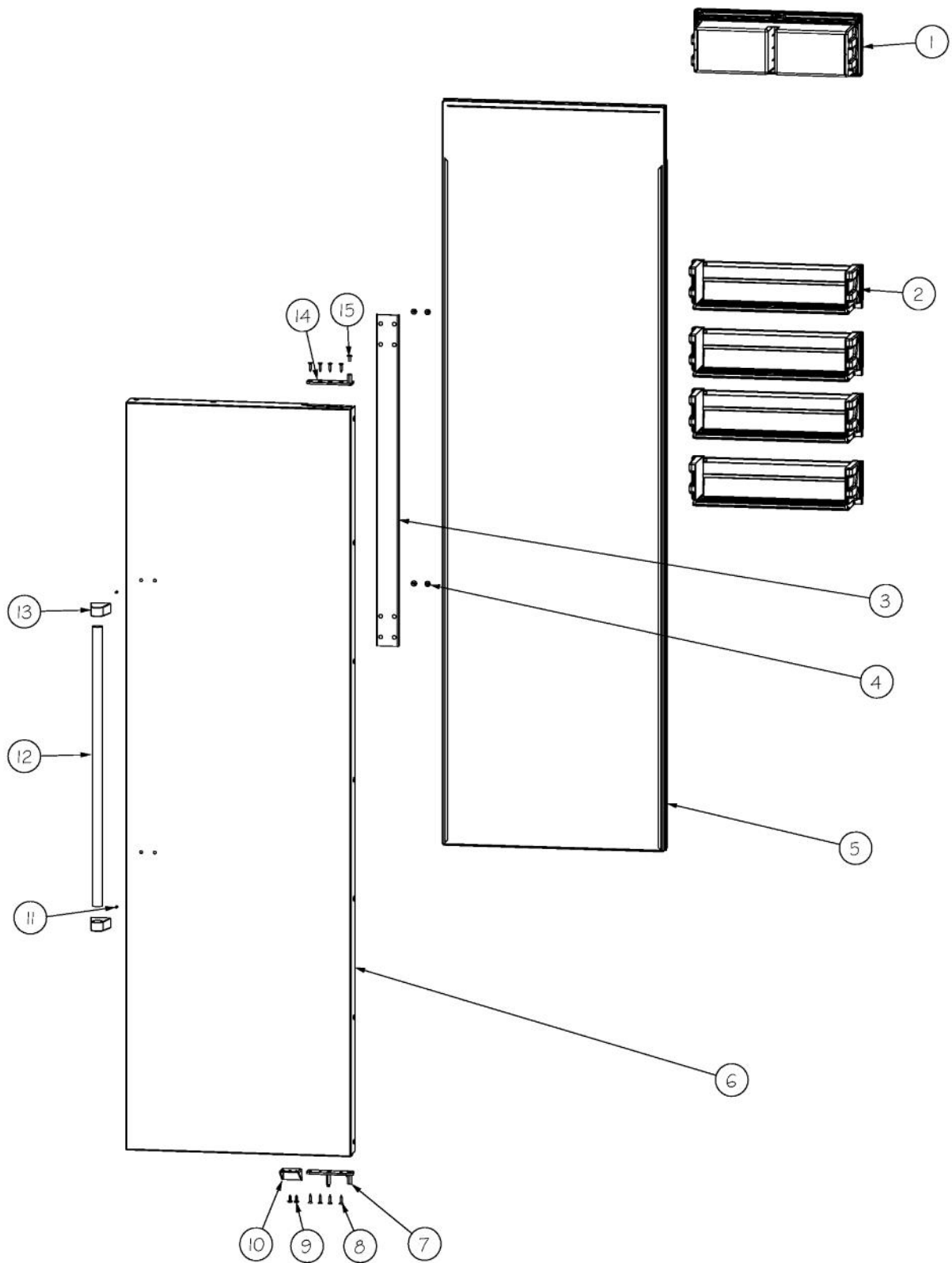
| Ref # | Part Number | Qty. | Description |
|-------|-------------|------|-------------------------------|
| 1 | F2097793 | 1 | TUBE FORMED HT EXCH |
| 2 | PB910259 | 1 | THERMOSTAT DEFROST TERMINATOR |
| 3 | A3189370 | 3 | GASKET-FOAM VA3189370 |
| 4 | PD020194 | 23 | SCREW-SM |
| 5 | K2096461 | 2 | BRKT-EVAP COVER 12234801 |
| 6 | K2096456 | 2 | BRKT-EVAP CLIP 12215101 |
| 7 | 10629001 | 2 | BLOCK-R AIR COIL RED |
| 8 | 10527401 | 2 | CLIP-EVAP |
| 9 | PM910206 | 1 | EVAPORATOR SXS 48 |
| 10 | PJ910031 | 1 | HEATER EVAP SXS |
| 11 | 10428101 | 2 | CLIP-EVAP HTR V10428101 |
| 12 | 10623003 | 1 | CLIP-EVAP |
| 13 | L2097182 | 1 | COVER EVAP LOWER SXS 48 |
| 14 | M0211014 | 2 | SCREW-SM |
| 15 | C8983701 | 1 | THERMISTOR |
| 16 | PK930150 | 1 | COVER CTR EVAP |
| 17 | K2096458 | 1 | BRKT-L-EVAP-FAN 12223102 |
| 18 | K2096457 | 1 | BRKT-R-EVAP FAN 12223101 |
| 19 | G5098660 | 1 | FAN EVAP ASM |
| 20 | L2097181 | 1 | COVER EVAP UPPER SXS 48 |



| Ref # | Part Number | Qty. | Description |
|-------|-------------|------|---|
| 1 | F20915693 | 1 | SERPENTINE CONDENSER DRAIN ALL SXS'S |
| 2 | PD030146 | 14 | STAND OFF LOCK CLIP |
| 3 | PK930348 | 1 | PAN DRAIN |
| 4 | PE070707 | 1 | PAN HEATER |
| 5 | L20914124 | 1 | TRAY PAN HEATER |
| 6 | PF930654 | 1 | LABEL CONDENSATE FAN SERVICE |
| 7 | M0104102 | 3 | CLIP-CORD RED |
| 8 | PB020304 | 1 | PLASTIC TUBING-IM WATERLINE NON DISP (SXS & AF) |
| 9 | G32913789 | 1 | BRKT & VALVE H2O SNGL ASM |
| 10 | A4554806 | 2 | BUSHING-SNAP VA4554806 |
| 11 | PD940091 | 2 | BUSHING - DOOR STOP |
| 12 | PC920145 | 2 | PIN - DOOR STOP |
| 13 | PD940090 | 2 | BUSHING - WC DOOR LEVEL |
| 14 | PC920144 | 2 | PLATE - WC DOOR SHIM |
| 15 | PC920215 | 1 | HINGE PLATE SXS LR |
| 16 | 000570-000 | 8 | HEX SCREW |
| 17 | PD940107 | 2 | ROUND SPRING SPACER |
| 18 | PC920166 | 1 | BAR-WC BOT HINGE RH |
| 19 | M0221523 | 2 | SCREW - SHLDR |
| 20 | 003867-000 | 1 | SPRING EXTENSION |
| 21 | PM910398 | 1 | LEVELER ASSEMBLY - R |
| 22 | K2098044 | 1 | BRKT GRILLE SUPPORT |
| 23 | PD020194 | 20 | SCREW-SM |
| 24 | 014334-000 | 2 | BRACKET,LT,SWITCH |
| 25 | M0104106 | 2 | CLIP-CORD VM0104106 |
| 26 | PE950147 | 1 | SWITCH SPST NC BLACK |
| 27 | M0220417 | 8 | SCREW-TC |
| 28 | PD020274 | 2 | SCR SLTD HEX WSHR HD 8X1.250 BT |
| 29 | 000731-000 | 1 | AXIAL FAN |
| 30 | PE050248 | 1 | FLOAT SWITCH HORIZONTAL |
| 31 | PD020010 | 1 | 10 X 3/8 GREEN GROUNDING SCREW |
| 32 | M0253916 | 1 | SCREW-TF |
| 33 | B20915627 | 1 | BRACKET HORIZ FLOAT SWITCH |
| 34 | M0104106 | 2 | CLIP-CORD VM0104106 |
| 35 | K20915952 | 1 | SHIELD BOTTOM DRAIN |
| 36 | K20911831 | 2 | BRACKET CONDENSATE SUPPORT |
| 37 | PF031267 | 1 | LABEL HEATER PAN |
| 38 | PC040010 | 4 | POP RIVET |
| 39 | PE950146 | 1 | SWITCH SPDT BLACK |
| 40 | PM910399 | 1 | LEVELER MODULE L |
| 41 | K2098096 | 1 | BRKT GRILLE SUPPORT |
| 42 | PC910015 | 1 | SPRING EXTENSION |
| 43 | PD940094 | 2 | BUSHING |
| 44 | PC920149 | 1 | BAR-WC BOT HINGE LH |
| 45 | PM010602 | 2 | CAM DOOR ADJUSTMENT |
| 46 | PD020234 | 2 | SCREW THP 10-32 X .500 SS BO |
| 47 | PC020289 | 1 | HINGE PLATE LL |
| NI | A4554817 | 1 | BUSHING-SNAP VA4554817 |

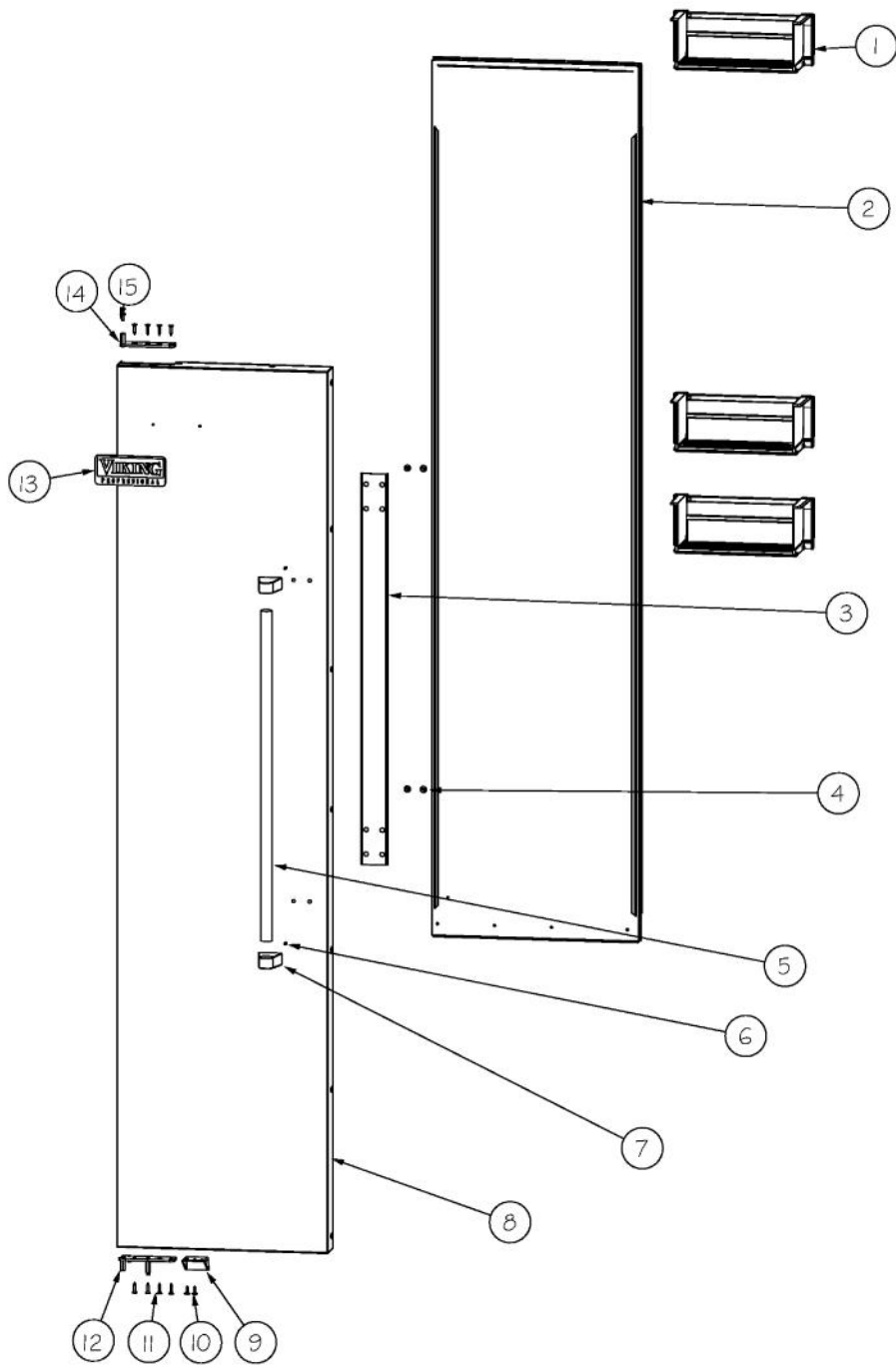


| Ref # | Part Number | Qty. | Description |
|-------|-------------|------|---|
| 1 | PB070355 | 6 | INSULATION MC COVER |
| 2 | K2099458 | 1 | MC TOP SXS 42 |
| 3 | K2099461 | 1 | MC BACK 42 |
| 4 | PC040010 | 19 | POP RIVET |
| 5 | K2099455 | 1 | SUPPORT MC Z |
| 6 | G50915900 | 1 | MC COVER BI 42 |
| 7 | PB070360 | 2 | INSULATION MC COVER |
| 8 | PB970171 | 1 | MC INSULATION - BACK SIDE |
| 9 | K2099459 | 1 | MC SIDE R |
| 10 | PD020194 | 40 | SCREW-SM |
| 11 | A4554806 | 1 | BUSHING-SNAP VA4554806 |
| 12 | K20915675 | 2 | BRACKET PSM |
| 13 | PD040157 | 4 | BEARING SLEEVE |
| 14 | PK050004 | 2 | BRACKET GRILLE |
| 15 | M0253916 | 8 | SCREW-TF |
| 16 | 003269-000 | 1 | ENDCAP, PRO, RH, HINGE |
| 17 | 003292-000 | 1 | PLATE, BACK, GRILLE |
| 18 | 003290-000 | 1 | EXTRUSION, LOUVER, MIDDLE |
| 19 | 003291-000 | 1 | EXTRUSION, LOUVER, BOTTOM |
| 20 | 003289-000 | 1 | EXTRUSION, LOUVER, TOP |
| 21 | 003274-000 | 1 | ENDCAP, PRO, LH, HINGE |
| 22 | PD020233 | 1 | SCR LAG 5/16-9 GX 5/16X7/16 WAF IHXW 3 S ZN |
| 23 | K2099460 | 1 | MC SIDE L |
| NI | 003293-000 | 1 | GRILLE, ASM, 42 SXS |



| Ref # | Part Number | Qty. | Description |
|-------|-------------|------|--|
| 1 | PK930123 | 1 | DAIRY MODULE ASM SXS 42 |
| 2 | G5098675 | 4 | DOORBIN ASM SXS 42 FF |
| 3 | 013328-000 | 1 | BRKT,HANDLE,SUPPORT,PRO |
| 4 | M0204303 | 4 | SCREW-MACH |
| 5 | 007514-000 | 1 | DOOR FOAM ASM SXS 42 FF |
| 6 | 009156-000 | 1 | SKIN, DOOR, SXS 42 FF PRO SS |
| NI | 009207-002 | 1 | SKIN, DOOR, SXS 42 PRO FF BK |
| NI | 009207-003 | 1 | SKIN, DOOR, SXS 42 PRO FF BT |
| NI | 009207-004 | 1 | SKIN, DOOR, SXS 42 PRO FF SG |
| NI | 009207-005 | 1 | SKIN, DOOR, SXS 42 PRO FF GG |
| NI | 009207-007 | 1 | SKIN,DOOR,SXS 42 PRO FF AL |
| NI | 009207-008 | 1 | SKIN, DOOR, SXS 42 PRO FF BU |
| NI | 009207-009 | 1 | SKIN, DOOR, SXS 42 PRO FF LE |
| NI | 009207-010 | 1 | SKIN, DOOR, SXS 42 PRO FF MJ |
| NI | 009207-011 | 1 | SKIN,DOOR,SXS 42 PRO FF FG |
| NI | 009207-012 | 1 | SKIN,DOOR,SXS 42 PRO FF VB |
| NI | 009207-013 | 1 | SKIN, DOOR, SXS 42 PRO FF CB |
| NI | 009207-014 | 1 | SKIN,DOOR,SXS 42 PRO FF EP |
| NI | 009207-015 | 1 | SKIN,DOOR,SXS 42 PRO FF PL |
| NI | 009207-016 | 1 | SKIN,DOOR,SXS 42 PRO FF CH |
| NI | 009207-017 | 1 | SKIN, DOOR, SXS 42 PRO FF TP |
| NI | 009207-018 | 1 | SKIN, DOOR, SXS 42 PRO FF CW |
| NI | 009207-019 | 1 | SKIN, DOOR, SXS 42 PRO FF OG |
| NI | 009207-020 | 1 | SKIN, DOOR, SXS 42 PRO FF GM |
| NI | 009207-021 | 1 | SKIN, DOOR, SXS 42 PRO FF SA |
| NI | 009207-022 | 1 | SKIN, DOOR, SXS 42 PRO FF SE |
| NI | 009207-023 | 1 | SKIN, DOOR, SXS 42 PRO FF IB |
| NI | 009207-024 | 1 | SKIN, DOOR, SXS 42 PRO FF AR |
| NI | 009207-025 | 1 | SKIN, DOOR, SXS 42 PRO FF RR |
| NI | 009207-026 | 1 | SKIN, DOOR, SXS 42 PRO FF PM |
| NI | 009207-027 | 1 | SKIN, DOOR, SXS 42 PRO FF MS |
| 7 | PC020276 | 1 | PIVOT PL ASM RH LW PRO/DES |
| 8 | PD920174 | 5 | 10-32 TORX HEAD SCREW |
| 9 | M0210458 | 1 | SCREW-SM |
| 10 | PD050019 | 1 | STRIKER DOOR SWITCH |
| 11 | 000270-000 | 2 | SET SCREW |
| 12 | 012891-000 | 1 | HANDLE,PRO |
| 13 | 000268-000 | 2 | HANDLE END CAP ASSY |
| NI | 000268-100 | 2 | HANDLE ENDCAP BRASS |
| 14 | PC020278 | 1 | PIVOT PL ASM RH UP PRO/DES |
| 15 | PD020234 | 1 | SCREW THP 10-32 X .500 SS BO |
| NI | 009169-000 | 1 | DOOR, SKIN, ASM,SXS 42 FF PRO SS |
| NI | 009169-100 | 1 | DOOR, SKIN, ASM,SXS 42 FF PRO SS BRASS |
| NI | 009209-002 | 1 | DOOR, SKIN, ASM, SXS 42 PRO FF BK |
| NI | 009209-003 | 1 | DOOR, SKIN, ASM, SXS 42 PRO FF BT |
| NI | 009209-004 | 1 | DOOR, SKIN, ASM, SXS 42 PRO FF SG |
| NI | 009209-005 | 1 | DOOR, SKIN, ASM, SXS 42 PRO FF GG |
| NI | 009209-007 | 1 | DOOR,SKIN,ASM,SXS 42 PRO FF AL |
| NI | 009209-008 | 1 | DOOR, SKIN, ASM, SXS 42 PRO FF BU |
| NI | 009209-009 | 1 | DOOR, SKIN, ASM, SXS 42 PRO FF LE |
| NI | 009209-010 | 1 | DOOR, SKIN, ASM, SXS 42 PRO FF MJ |
| NI | 009209-011 | 1 | DOOR,SKIN,ASM,SXS 42 PRO FF FG |
| NI | 009209-012 | 1 | DOOR,SKIN,ASM,SXS 42 PRO FF VB |
| NI | 009209-013 | 1 | DOOR, SKIN, ASM, SXS 42 PRO FF CB |
| NI | 009209-014 | 1 | DOOR,SKIN,ASM,SXS 42 PRO FF EP |
| NI | 009209-015 | 1 | DOOR,SKIN,ASM,SXS 42 PRO FF PL |
| NI | 009209-016 | 1 | DOOR,SKIN,ASM,SXS 42 PRO FF CH |
| NI | 009209-017 | 1 | DOOR, SKIN, ASM, SXS 42 PRO FF TP |
| NI | 009209-018 | 1 | DOOR, SKIN, ASM, SXS 42 PRO FF CW |
| NI | 009209-019 | 1 | DOOR, SKIN, ASM, SXS 42 PRO FF OG |

| Ref # | Part Number | Qty. | Description |
|-------|-------------|------|--|
| NI | 009209-019 | 1 | DOOR, SKIN, ASM, SXS 42 PRO FF OG |
| NI | 009209-020 | 1 | DOOR, SKIN, ASM, SXS 42 PRO FF GM |
| NI | 009209-021 | 1 | DOOR, SKIN, ASM, SXS 42 PRO FF SA |
| NI | 009209-022 | 1 | DOOR, SKIN, ASM, SXS 42 PRO FF SE |
| NI | 009209-023 | 1 | DOOR, SKIN, ASM, SXS 42 PRO FF IB |
| NI | 009209-024 | 1 | DOOR, SKIN, ASM, SXS 42 PRO FF AR |
| NI | 009209-025 | 1 | DOOR, SKIN, ASM, SXS 42 PRO FF RR |
| NI | 009209-026 | 1 | DOOR, SKIN, ASM, SXS 42 PRO FF PM |
| NI | 009209-027 | 1 | DOOR, SKIN, ASM, SXS 42 PRO FF MS |
| NI | 009209-102 | 1 | DOOR, SKIN, ASM, SXS 42 PRO FF BK/BR |
| NI | 009209-103 | 1 | DOOR, SKIN, ASM, SXS 42 PRO FF BT/BR |
| NI | 009209-104 | 1 | DOOR, SKIN, ASM, SXS 42 PRO FF SG/BR |
| NI | 009209-105 | 1 | DOOR, SKIN, ASM, SXS 42 PRO FF GG/BR |
| NI | 009209-107 | 1 | DOOR,SKIN,ASM,SXS 42 PRO FF AL BR |
| NI | 009209-108 | 1 | DOOR, SKIN, ASM, SXS 42 PRO FF BU/BR |
| NI | 009209-109 | 1 | DOOR, SKIN, ASM, SXS 42 PRO FF LE/BR |
| NI | 009209-110 | 1 | DOOR, SKIN, ASM, SXS 42 PRO FF MJ/BR |
| NI | 009209-111 | 1 | DOOR,SKIN,ASM,SXS 42 PRO FF FG BR |
| NI | 009209-112 | 1 | DOOR,SKIN,ASM,SXS 42 PRO FF VB BR |
| NI | 009209-113 | 1 | DOOR, SKIN, ASM, SXS 42 PRO FF CB/BR |
| NI | 009209-114 | 1 | DOOR,SKIN,ASM,SXS 42 PRO FF EP BR |
| NI | 009209-115 | 1 | DOOR,SKIN,ASM,SXS 42 PRO FF PL BR |
| NI | 009209-116 | 1 | DOOR,SKIN,ASM,SXS 42 PRO FF CH BR |
| NI | 009209-117 | 1 | DOOR, SKIN, ASM, SXS 42 PRO FF TP/BR |
| NI | 009209-118 | 1 | DOOR, SKIN, ASM, SXS 42 PRO FF CW/BR |
| NI | 009209-119 | 1 | DOOR, SKIN, ASM, SXS 42 PRO FF OG/BR |
| NI | 009209-120 | 1 | DOOR, SKIN, ASM, SXS 42 PRO FF GM/BR |
| NI | 009209-121 | 1 | DOOR, SKIN, ASM, SXS 42 PRO FF SA/BR |
| NI | 009209-122 | 1 | DOOR, SKIN, ASM, SXS 42 PRO FF SE/BR |
| NI | 009209-123 | 1 | DOOR, SKIN, ASM, SXS 42 PRO FF IB/BR |
| NI | 009209-124 | 1 | DOOR, SKIN, ASM, SXS 42 PRO FF AR/BR |
| NI | 009209-125 | 1 | DOOR, SKIN, ASM, SXS 42 PRO FF RR/BR |
| NI | 009209-126 | 1 | DOOR, SKIN, ASM, SXS 42 PRO FF PM/BR |
| NI | 009209-127 | 1 | DOOR, SKIN, ASM, SXS 42 PRO FF MS/BR |
| NI | 005451-000 | 1 | GASKET,ASM,42,SXS,FF VIDNO. 602711807-17 |



| Ref # | Part Number | Qty. | Description |
|-------|-------------|------|---------------------------------------|
| 1 | G5098676 | 3 | DOORBIN ASM SXS 42 & 48 FZ |
| 2 | 007519-000 | 1 | DOOR FOAM ASM SXS 42 FZ |
| 3 | 013328-000 | 1 | BRKT,HANDLE,SUPPORT,PRO |
| 4 | M0204303 | 4 | SCREW-MACH |
| 5 | 012891-000 | 1 | HANDLE,PRO |
| 6 | PD020043 | 1 | NO.6-32 X .750 PH. CTRSK T(F)-VGSO166 |
| 7 | 000268-000 | 2 | HANDLE END CAP ASSY |
| NI | 000268-100 | 2 | HANDLE ENDCAP BRASS |
| 8 | 013332-000 | 1 | DOOR,SKIN,42 SXS, FZ, PRO SS |
| NI | 009204-002 | 1 | SKIN, DOOR, SXS 42 PRO FZ BK |
| NI | 009204-003 | 1 | SKIN, DOOR, SXS 42 PRO FZ BT |
| NI | 009204-004 | 1 | SKIN, DOOR, SXS 42 PRO FZ SG |
| NI | 009204-005 | 1 | SKIN, DOOR, SXS 42 PRO FZ GG |
| NI | 009204-006 | 1 | SKIN, DOOR, SXS 42 PRO FZ WH |
| NI | 009204-007 | 1 | SKIN,DOOR,SXS 42 PRO FZ AL |
| NI | 009204-008 | 1 | SKIN, DOOR, SXS 42 PRO FZ BU |
| NI | 009204-009 | 1 | SKIN, DOOR, SXS 42 PRO FZ LE |
| NI | 009204-010 | 1 | SKIN, DOOR, SXS 42 PRO FZ MJ |
| NI | 009204-011 | 1 | SKIN,DOOR,SXS 42 PRO FZ FG |
| NI | 009204-012 | 1 | SKIN,DOOR,SXS 42 PRO FZ VB |
| NI | 009204-013 | 1 | SKIN, DOOR, SXS 42 PRO FZ CB |
| NI | 009204-014 | 1 | SKIN,DOOR,SXS 42 PRO FZ EP |
| NI | 009204-015 | 1 | SKIN,DOOR,SXS 42 PRO FZ PL |
| NI | 009204-016 | 1 | SKIN,DOOR,SXS 42 PRO FZ CH |
| NI | 009204-017 | 1 | SKIN, DOOR, SXS 42 PRO FZ TP |
| NI | 009204-018 | 1 | SKIN, DOOR, SXS 42 PRO FZ CW |
| NI | 009204-019 | 1 | SKIN, DOOR, SXS 42 PRO FZ OG |
| NI | 009204-020 | 1 | SKIN, DOOR, SXS 42 PRO FZ GM |
| NI | 009204-021 | 1 | SKIN, DOOR, SXS 42 PRO FZ SA |
| NI | 009204-022 | 1 | SKIN, DOOR, SXS 42 PRO FZ SE |
| NI | 009204-023 | 1 | SKIN, DOOR, SXS 42 PRO FZ IB |
| NI | 009204-024 | 1 | SKIN, DOOR, SXS 42 PRO FZ AR |
| NI | 009204-025 | 1 | SKIN, DOOR, SXS 42 PRO FZ RR |
| NI | 009204-026 | 1 | SKIN, DOOR, SXS 42 PRO FZ PM |
| NI | 009204-027 | 1 | SKIN, DOOR, SXS 42 PRO FZ MS |
| 9 | PD050019 | 1 | STRIKER DOOR SWITCH |
| 10 | M0210458 | 2 | SCREW-SM |
| 11 | PD920174 | 8 | 10-32 TORX HEAD SCREW |
| 12 | PC020277 | 1 | PIVOT PL ASM LH LW PRO/DES |
| 13 | PE010030 | 1 | LOGO, 6, PRO, BK |
| NI | PE010068 | 1 | LOGO, 6, PRO, BK/BR |
| 14 | PC020279 | 1 | PIVOT PL ASM LH UP PRO/DES |
| 15 | PD020234 | 1 | SCREW THP 10-32 X .500 SS BO |
| NI | 009155-000 | 1 | DOOR, SKIN, ASM, SXS 42 FZ PRO SS |
| NI | 009155-100 | 1 | SKIN, ASM, SXS 42 FZ PROI SS/BR |
| NI | 009206-002 | 1 | DOOR, SKIN, ASM, SXS 42 PRO FZ BK |
| NI | 009206-003 | 1 | DOOR, SKIN, ASM, SXS 42 PRO FZ BT |
| NI | 009206-004 | 1 | DOOR, SKIN, ASM, SXS 42 PRO FZ SG |
| NI | 009206-005 | 1 | DOOR, SKIN, ASM, SXS 42 PRO FZ GG |
| NI | 009206-007 | 1 | DOOR,SKIN,ASM,SXS 42 PRO FZ AL |
| NI | 009206-008 | 1 | DOOR, SKIN, ASM, SXS 42 PRO FZ BU |
| NI | 009206-009 | 1 | DOOR, SKIN, ASM, SXS 42 PRO FZ LE |
| NI | 009206-010 | 1 | DOOR, SKIN, ASM, SXS 42 PRO FZ MJ |
| NI | 009206-011 | 1 | DOOR,SKIN,ASM,SXS 42 PRO FZ FG |
| NI | 009206-012 | 1 | DOOR,SKIN,ASM,SXS 42 PRO FZ VB |
| NI | 009206-013 | 1 | DOOR, SKIN, ASM, SXS 42 PRO FZ CB |
| NI | 009206-014 | 1 | DOOR,SKIN,ASM,SXS 42 PRO FZ EP |
| NI | 009206-015 | 1 | DOOR,SKIN,ASM,SXS 42 PRO FZ PL |
| NI | 009206-016 | 1 | DOOR,SKIN,ASM,SXS 42 PRO FZ CH |
| NI | 009206-017 | 1 | DOOR, SKIN, ASM, SXS 42 PRO FZ TP |

| Ref # | Part Number | Qty. | Description |
|-------|-------------|------|--|
| NI | 009206-017 | 1 | DOOR, SKIN, ASM, SXS 42 PRO FZ TP |
| NI | 009206-018 | 1 | DOOR, SKIN, ASM, SXS 42 PRO FZ CW |
| NI | 009206-019 | 1 | DOOR, SKIN, ASM, SXS 42 PRO FZ OG |
| NI | 009206-020 | 1 | DOOR, SKIN, ASM, SXS 42 PRO FZ GM |
| NI | 009206-021 | 1 | DOOR, SKIN, ASM, SXS 42 PRO FZ SA |
| NI | 009206-022 | 1 | DOOR, SKIN, ASM, SXS 42 PRO FZ SE |
| NI | 009206-023 | 1 | DOOR, SKIN, ASM, SXS 42 PRO FZ IB |
| NI | 009206-024 | 1 | DOOR, SKIN, ASM, SXS 42 PRO FZ AR |
| NI | 009206-025 | 1 | DOOR, SKIN, ASM, SXS 42 PRO FZ RR |
| NI | 009206-026 | 1 | DOOR, SKIN, ASM, SXS 42 PRO FZ PM |
| NI | 009206-027 | 1 | DOOR, SKIN, ASM, SXS 42 PRO FZ MS |
| NI | 009206-102 | 1 | DOOR, SKIN, ASM, SXS 42 PRO FZ BK/BR |
| NI | 009206-103 | 1 | DOOR, SKIN, ASM, SXS 42 PRO FZ BT/BR |
| NI | 009206-104 | 1 | DOOR, SKIN, ASM, SXS 42 PRO FZ SG/BR |
| NI | 009206-105 | 1 | DOOR, SKIN, ASM, SXS 42 PRO FZ GG/BR |
| NI | 009206-107 | 1 | DOOR,SKIN,ASM,SXS 42 PRO FZ AL BR |
| NI | 009206-108 | 1 | DOOR, SKIN, ASM, SXS 42 PRO FZ BU/BR |
| NI | 009206-109 | 1 | DOOR, SKIN, ASM, SXS 42 PRO FZ LE/BR |
| NI | 009206-110 | 1 | DOOR, SKIN, ASM, SXS 42 PRO FZ MJ/BR |
| NI | 009206-111 | 1 | DOOR,SKIN,ASM,SXS 42 PRO FZ FG BR |
| NI | 009206-112 | 1 | DOOR,SKIN,ASM,SXS 42 PRO FZ VB BR |
| NI | 009206-113 | 1 | DOOR, SKIN, ASM, SXS 42 PRO FZ CB/BR |
| NI | 009206-114 | 1 | DOOR,SKIN,ASM,SXS 42 PRO FZ EP BR |
| NI | 009206-115 | 1 | DOOR,SKIN,ASM,SXS 42 PRO FZ PL BR |
| NI | 009206-116 | 1 | DOOR,SKIN,ASM,SXS 42 PRO FZ CH BR |
| NI | 009206-117 | 1 | DOOR, SKIN, ASM, SXS 42 PRO FZ TP/BR |
| NI | 009206-118 | 1 | DOOR, SKIN, ASM, SXS 42 PRO FZ CW/BR |
| NI | 009206-119 | 1 | DOOR, SKIN, ASM, SXS 42 PRO FZ OG/BR |
| NI | 009206-120 | 1 | DOOR, SKIN, ASM, SXS 42 PRO FZ GM/BR |
| NI | 009206-121 | 1 | DOOR, SKIN, ASM, SXS 42 PRO FZ SA/BR |
| NI | 009206-122 | 1 | DOOR, SKIN, ASM, SXS 42 PRO FZ SE/BR |
| NI | 009206-123 | 1 | DOOR, SKIN, ASM, SXS 42 PRO FZ IB/BR |
| NI | 009206-124 | 1 | DOOR, SKIN, ASM, SXS 42 PRO FZ AR/BR |
| NI | 009206-125 | 1 | DOOR, SKIN, ASM, SXS 42 PRO FZ RR/BR |
| NI | 009206-126 | 1 | DOOR, SKIN, ASM, SXS 42 PRO FZ PM/BR |
| NI | 009206-127 | 1 | DOOR, SKIN, ASM, SXS 42 PRO FZ MS/BR |
| NI | 005452-000 | 1 | GASKET,ASM,42,SXS,FZ VIDNO. 602711817-17 |
| NI | 009151-000 | 1 | SKIN,ASM,SXS 42 PRO FZ SS |