

This Owner's Manual is provided and hosted by [Appliance Factory Parts](#).



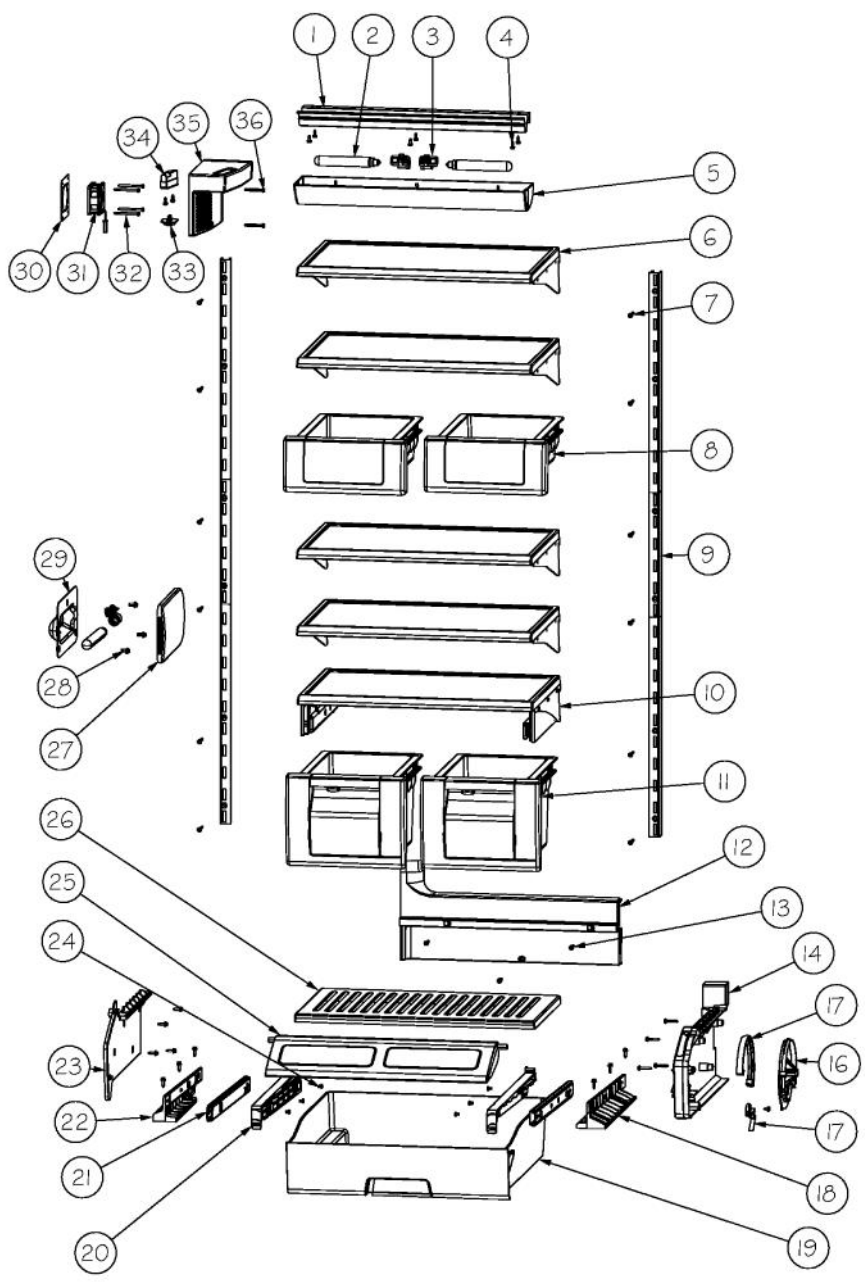
# VIKING VCSB5481 Owner's Manual

[Shop genuine replacement parts for VIKING VCSB5481](#)

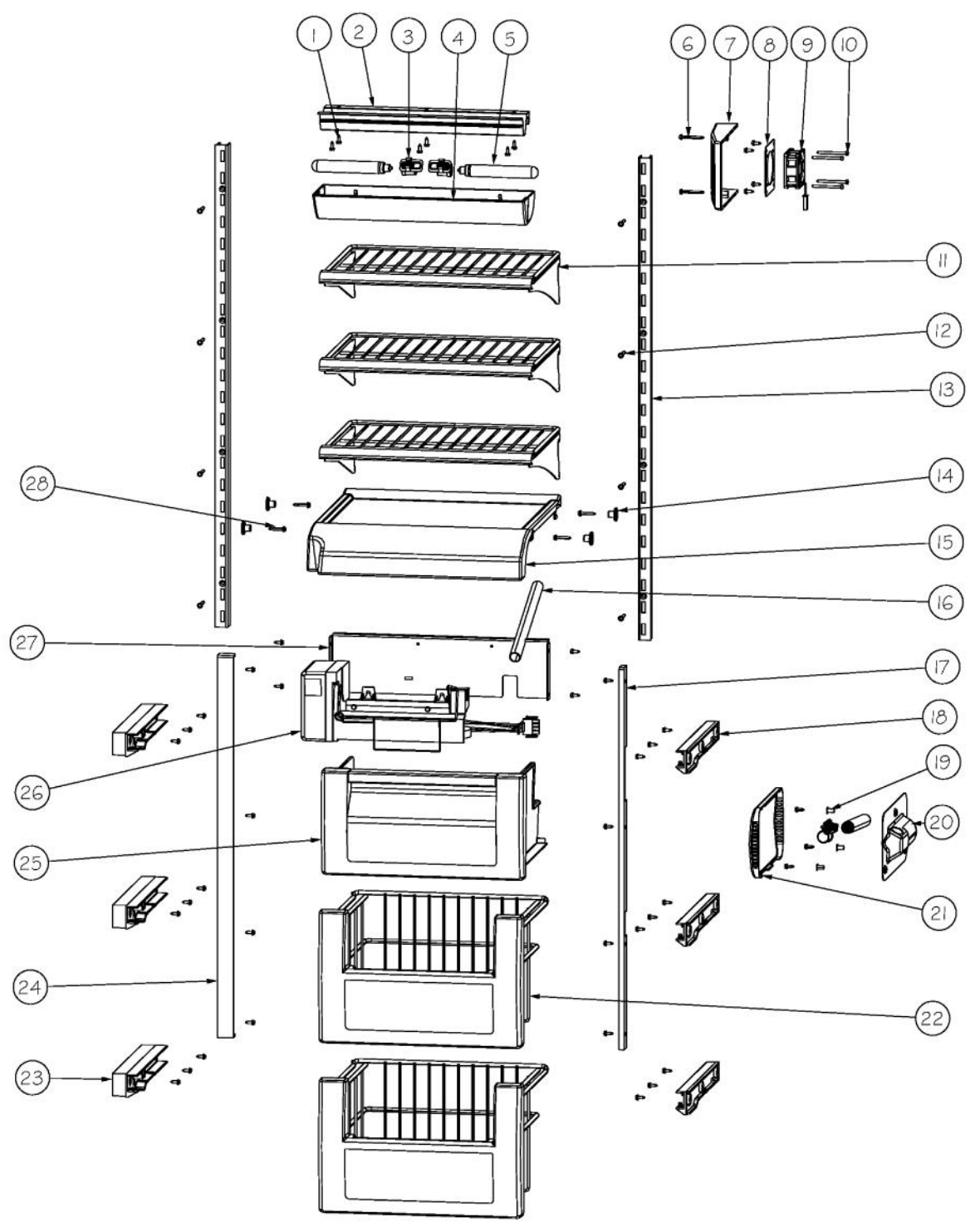


[Find Your VIKING Refrigerator Parts - Select From 341 Models](#)

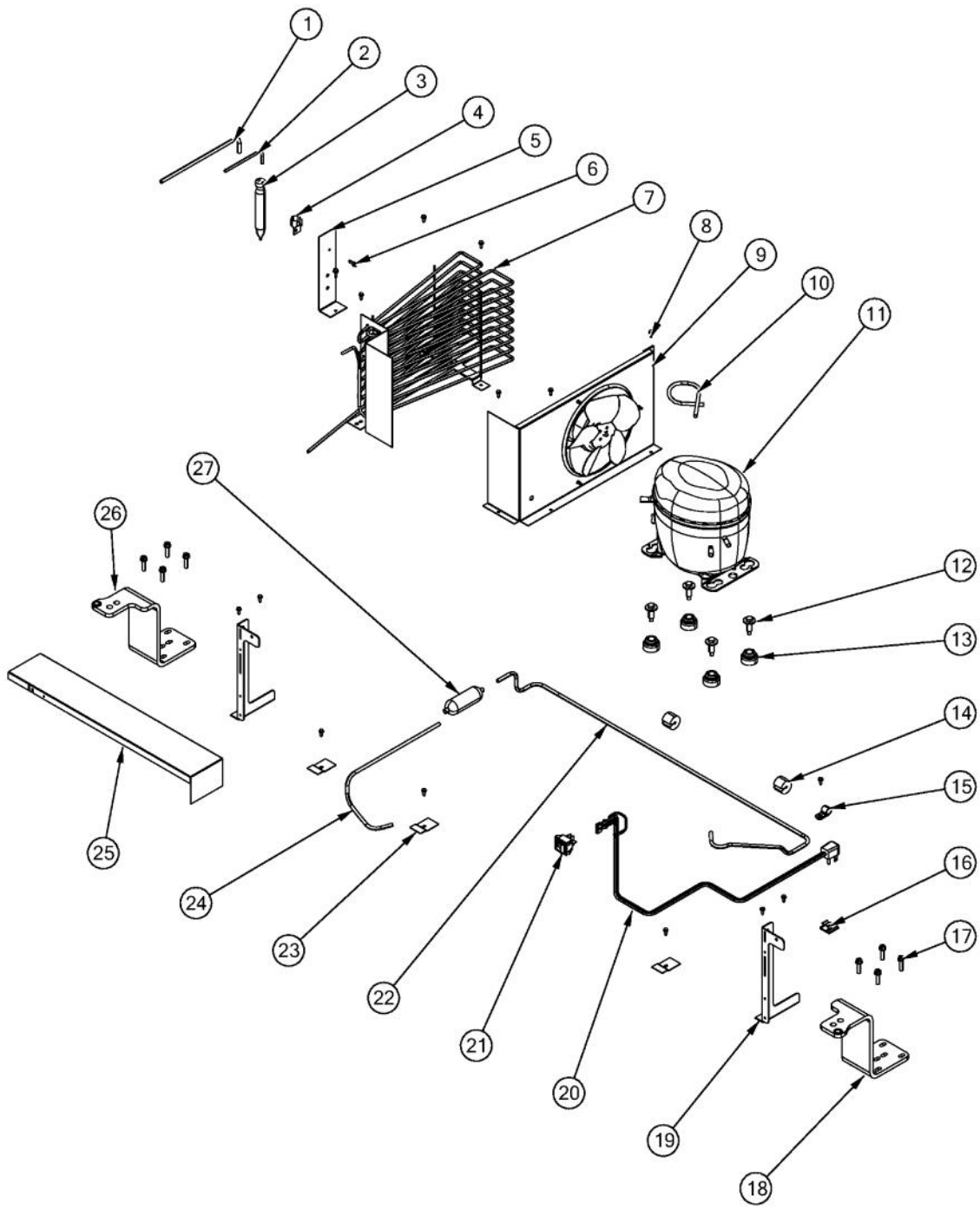
----- Manual continues below -----



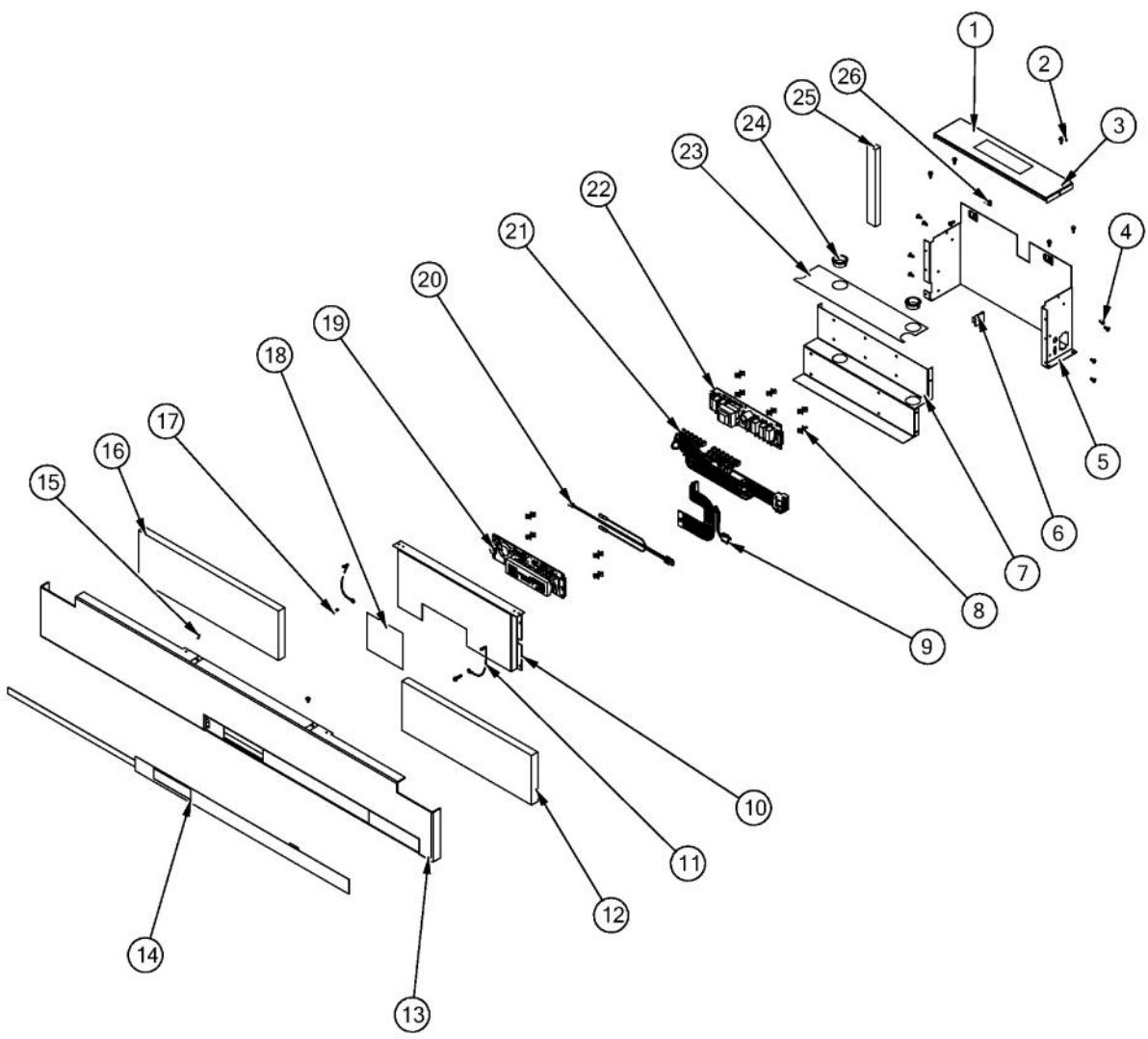
Ref #	Part Number	Qty.	Description
1	L2099492	1	BRACKET LIGHT SXS 48 FF
2	004528-000	3	LAMP, 40 WATT BLUE LIGHT
3	PE950125	3	LIGHT SOCKET
4	PD020194	24	SCREW-SM
5	020114-000	1	COVER LIGHT ASM AF/AR 30 SXS 48 FF
6	PM010529	4	SHELF ASM GLASS 30 AR 48 FF
7	M0238535	8	SCREW-SM
8	G32911938	2	DRAWER DELI ASM SXS AR 30
9	PK920024	2	LADDER FF R
10	G50911937	1	SHELF ASM
11	012259-000	2	DRAWER PRODUCE ASM AR 30/48
12	PK930327	1	DUCT MEATSAVOR SXS 48 REAR
13	M0211021	3	SCREW-SM
14	PK930169	1	DUCT MEAT SAVIOR SXS 42/48 R
15	PK930172	1	COVER CONTROL MEAT SAVIOR
16	PK930168	1	DIAL CONTROL MEAT SAVIOR
17	PM910334	1	ROLLER TENSION
18	PK930173	1	SUPPORT SLIDE MEAT SAVIOR SXS 42/48 R
19	PK930309	1	DRAWER MEAT SAVIOR AR 30 SXS 48
20	PK930176	1	SUPPORT DRAWER MEAT SAVIOR 42/48 L
21	PM910288	1	SLIDE MEAT SAVIOR L
22	PK930174	1	SUPPORT SLIDE MEAT SAVIOR SXS 42/48 L
23	PK030435	1	DUCT MEATSAVOR SXS 48 LEFT
24	PD920162	2	SCR 8-16 PLASTITE PNP 1/4 S
25	020100-000	1	DOOR MEATSAVOR ASM AR 30 SXS 48
26	PK930308	1	SHELF MEAT SAVIOR AR 30 SXS 48
27	PK930346	1	COVER LIGHT
28	M0580007	3	GROMMET-SCREW
29	10270203	1	HOUSING-LIGHT V10270203
30	007302-000	1	BRACKET,FAN
31	004551-000	1	AXIAL FAN
32	M0221913	4	SCREW-SM
33	C8983701	1	THERMISTOR
34	010093-000	1	PLASMA CLUSTER
35	012312-000	1	FAN COVER SXS
36	PD020188	2	SCR 8-18 BT HXWS 1 1/2



Ref #	Part Number	Qty.	Description
1	PD020194	43	SCREW-SM
2	L2099475	1	BRACKET LIGHT SXS FZ
3	PE950125	3	LIGHT SOCKET
4	020117-000	1	COVER LIGHT ASM SXS 42 FZ
5	004528-000	3	LAMP, 40 WATT BLUE LIGHT
6	PD020188	2	SCR 8-18 BT HXWS 1 1/2
7	PK930086	1	COVER FAN SXS 48 FZ
8	007302-000	1	BRACKET,FAN
9	004551-000	1	AXIAL FAN
10	M0221913	4	SCREW-SM
11	PM910189	3	SHELF WIRE FZ
12	M0238535	8	SCREW-SM
13	12231701	2	LADDER-FZ L/R SIDE
14	12258501	4	SUPPORT-SHELF
15	PK930079	1	SHELF COVER SXS 48 FZ
16	A3127415	1	EXT-FILL TUBE
17	12304301	1	CLOSEOUT-FZ SIDE NO.
18	PK930074	3	GLIDE SXS 48 FZ R
19	M0580007	3	GROMMET-SCREW
20	10270203	1	HOUSING-LIGHT V10270203
21	PK930346	1	COVER LIGHT
22	PM910190	2	BASKET ASM FZ
23	PK930075	3	GLIDE SXS 48 FZ L
24	PK930073	1	CLOSEOUT SIDE SXS 48 FZ L
25	PK930076	1	ICE PAN ASM SXS 48
26	G50911851	1	ICE MAKER ASM, SXS ND, AF
27	C2097183	1	SUPPORT IM ND SXS 48
28	M0211021	4	SCREW-SM

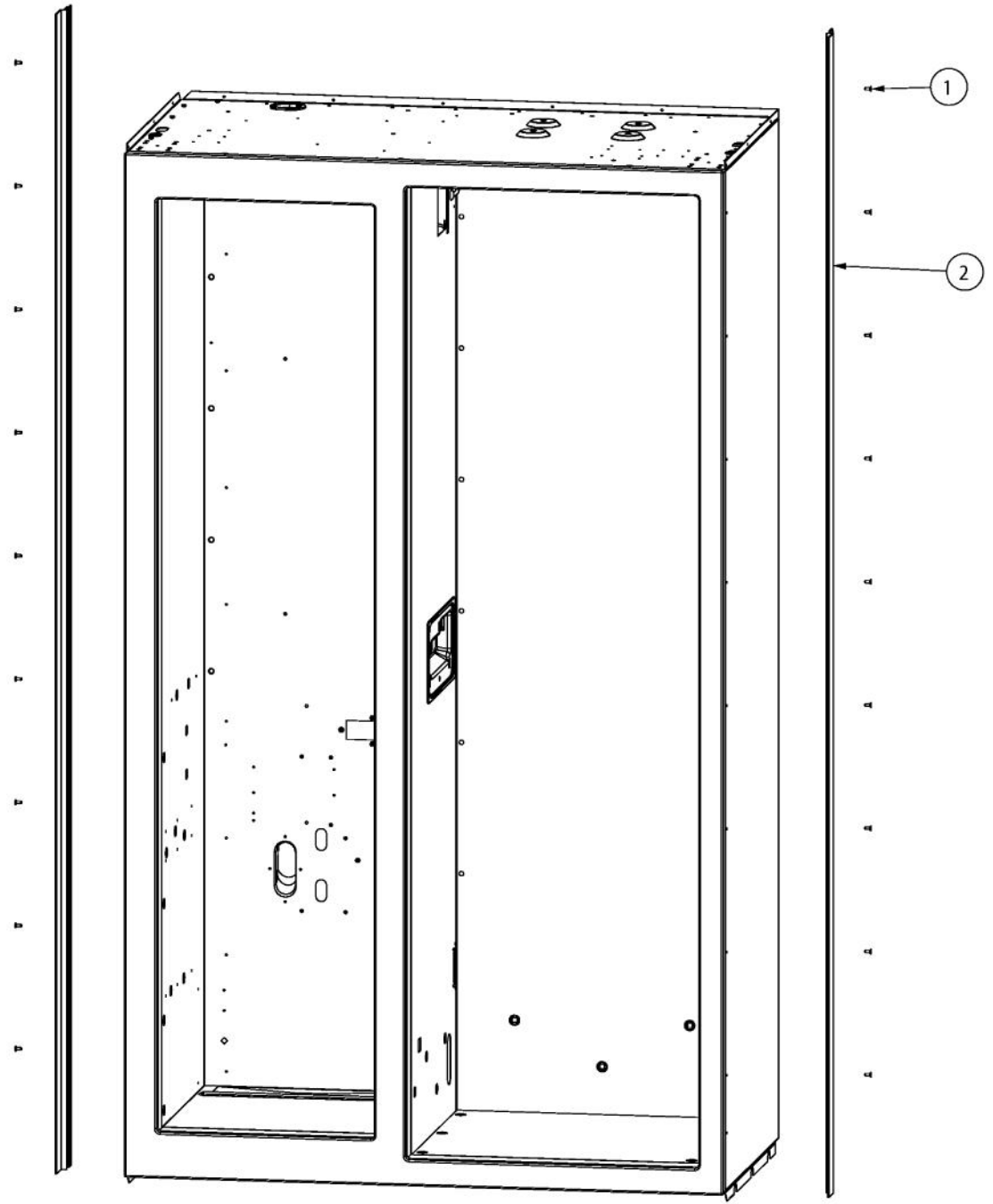


Ref #	Part Number	Qty.	Description
1	F2097740	1	TUBE PROCESS
2	F2096504	1	TUBE-DRIER EXT
3	PM910381	1	DRIER - HIGH SIDE
4	10547001	1	CLIP-DRIER V10547001
5	K2099454	1	BRACKET DRIER
6	PD020195	2	SCR 8-18 X 5/8
7	PB920171	1	CONDENSER ASM
8	PD020194	14	SCREW-SM
9	G5096494	1	COND. FAN ASSY
10	F2096507	1	TUBE-PROCESS GRN
11	PM010619	1	COMPRESSOR VCC
12	M0221523	4	SCREW - SHLDR
13	10835901	4	GROMMET RUBBER V10835901
14	10699601	2	DAMPER-TUBING .8
15	PD030118	1	SCREW - SHLDR
16	M0104106	1	CLIP-CORD VM0104106
17	000570-000	8	HEX SCREW
18	PC920203	1	HINGE ASM UR
19	014190-000	2	BRACKET GRILLE SUPPORT
20	10916507	1	TUBE-PROCESS GRN
21	PE950149	1	SWITCH POWER
22	F2099443	1	TUBE DISCHARGE FORMED PRE ACCUM
23	K2096943	3	PANEL BRACKET
24	F2099444	1	TUBE DISCHARGE FORMED POST ACCUM
25	014519-000	1	DIVERTER AIR HI SIDE SXS
26	PC920204	1	HINGE ASM UL
27	PB920201	1	ACCUMULATOR

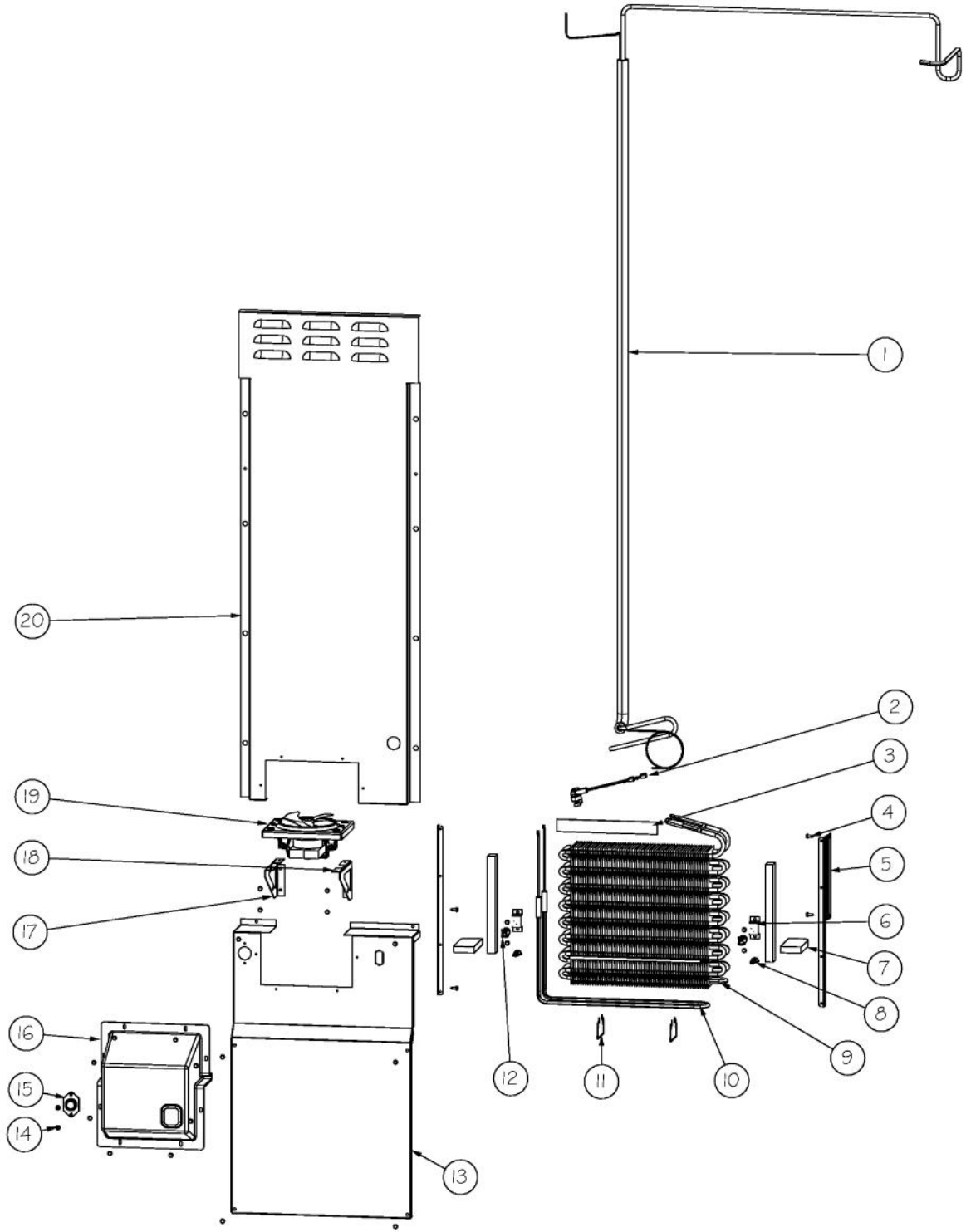




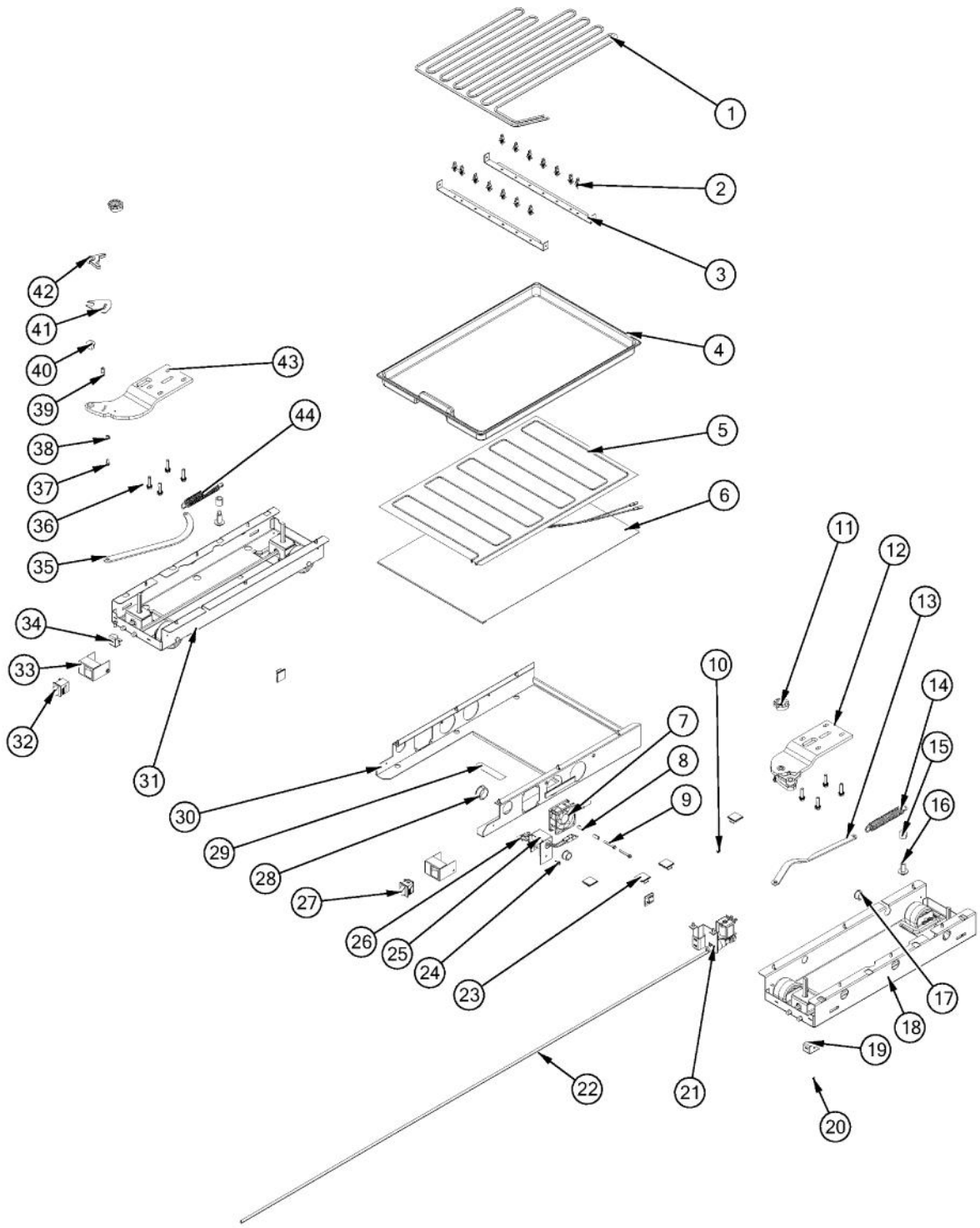
Ref #	Part Number	Qty.	Description
1	PF930487	1	TECH LITERATURE LABEL - 2
2	PD020194	4	SCREW-SM
3	K20915000	1	CONTROL BOX TOP
4	PC040010	8	POP RIVET
5	K2099402	1	CONTROL BOX
6	M0104106	1	CLIP-CORD VM0104106
7	K20910060	1	BRACKET - PC
8	M0585504	10	SUPPORT
9	PE970464	1	HARNESS LOW VOLT
10	K20910061	1	CONTROL BOX FRONT
11	12064001	2	SUPP-CONT PANEL
12	015037-000	1	INSULATION,FOAM,MC FRONT RIGHT 48
13	PK930248	1	COVER PANEL 48 SXS
14	016272-000	1	OVERLAY,SW,ASM,SXS 48 NON DISP
15	M0224128	2	SCREW-SM
16	015038-000	1	INSULATION,FOAM,MC FRONT LEFT 48
17	M0238846	2	SCREW-SHLDR
18	PF930672	1	LABEL DC COMPRESSOR
19	017695-000	1	BOARD LOW VOLTAGE
20	PE970609	1	HARNESS CONTROL BOARD
21	015365-000	1	HARNESS HIGH VOLT
22	005319-000	1	POWER CONTROL BOARD ASM
23	005396-000	1	FILM,PROTECTIVE
24	A4554817	2	BUSHING-SNAP VA4554817
25	A3030361	1	GASKET, RED
26	M0288120	1	NUT-SPEED, VM0288120



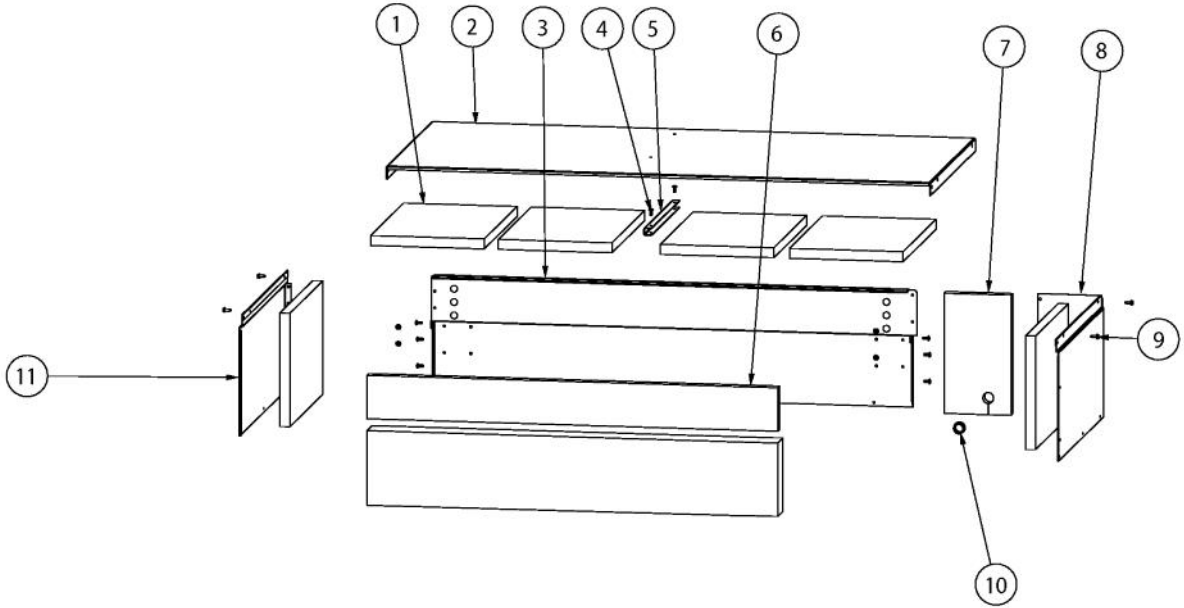
Ref #	Part Number	Qty.	Description
1	M0215318	18	SCREW-SM
2	PK910123	2	SIDE TRIM - PRO



Ref #	Part Number	Qty.	Description
1	F2097793	1	TUBE FORMED HT EXCH
2	PB910259	1	THERMOSTAT DEFROST TERMINATOR
3	A3189370	3	GASKET-FOAM VA3189370
4	PD020194	23	SCREW-SM
5	K2096461	2	BRKT-EVAP COVER 12234801
6	K2096456	2	BRKT-EVAP CLIP 12215101
7	10629001	2	BLOCK-R AIR COIL RED
8	10527401	2	CLIP-EVAP
9	PM910206	1	EVAPORATOR SXS 48
10	PJ910031	1	HEATER EVAP SXS
11	10428101	2	CLIP-EVAP HTR V10428101
12	10623003	1	CLIP-EVAP
13	L2097182	1	COVER EVAP LOWER SXS 48
14	M0211014	2	SCREW-SM
15	C8983701	1	THERMISTOR
16	PK930150	1	COVER CTR EVAP
17	K2096458	1	BRKT-L-EVAP-FAN 12223102
18	K2096457	1	BRKT-R-EVAP FAN 12223101
19	G5098660	1	FAN EVAP ASM
20	L2097181	1	COVER EVAP UPPER SXS 48

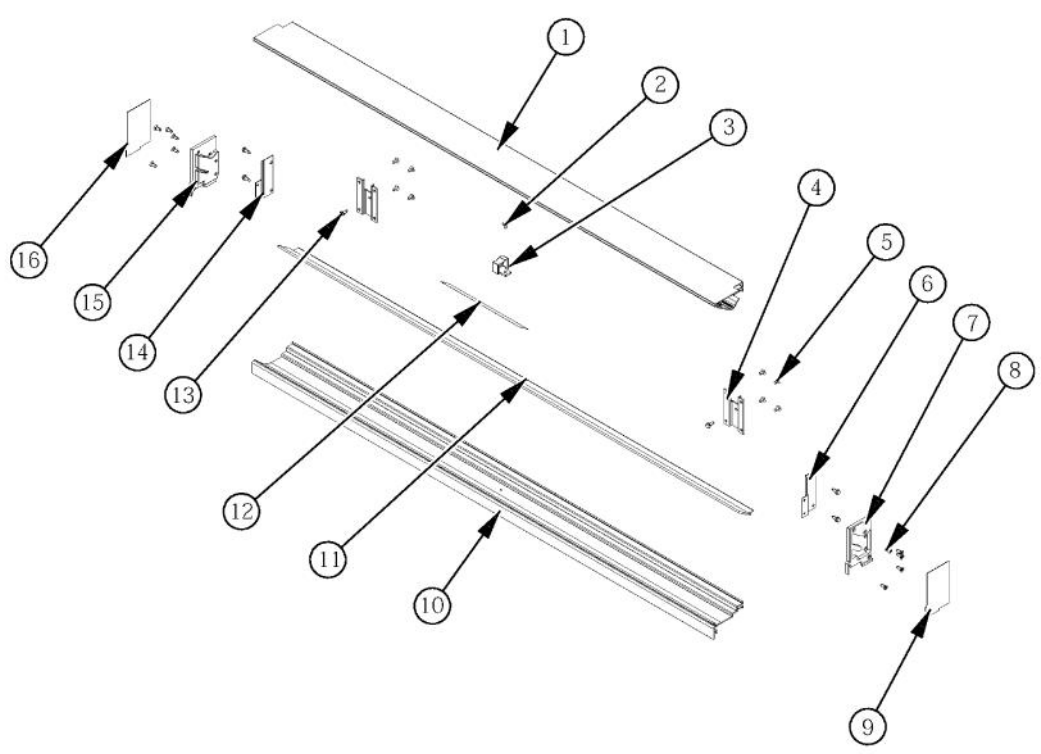


Ref #	Part Number	Qty.	Description
1	F20915693	1	SERPENTINE CONDENSER DRAIN ALL SXS'S
2	PD030146	14	STAND OFF LOCK CLIP
3	K20911831	2	BRACKET CONDENSATE SUPPORT
4	PK930348	1	PAN DRAIN
5	PE070707	1	PAN HEATER
6	L20914124WH	1	TRAY PAN HEATER
7	004551-000	1	AXIAL FAN
8	011332-000	2	SPACER,NYL
9	PD020274	2	SCR SLTD HEX WSHR HD 8X1.250 BT
10	PD020010	1	10 X 3/8 GREEN GROUNDING SCREW
11	PM010602	2	CAM DOOR ADJUSTMENT
12	PC020288	1	HINGE PLATE LR
13	PC920166	1	BAR-WC BOT HINGE RH
14	003867-000	1	SPRING EXTENSION
15	PD940107	2	ROUND SPRING SPACER
16	M0221523	2	SCREW - SHLDR
17	A4554806	2	BUSHING-SNAP VA4554806
18	PM910398	1	LEVELER ASSEMBLY - R
19	K2098044	1	BRKT GRILLE SUPPORT
20	PD020194	20	SCREW-SM
21	G32913789	1	BRKT & VALVE H2O SNGL ASM
22	PB020304	1	PLASTIC TUBING-IM WATERLINE NON DISP (SXS & AF)
23	M0104106	2	CLIP-CORD VM0104106
24	M0253916	1	SCREW-TF
25	B20915627	1	BRACKET HORIZ FLOAT SWITCH
26	PE050248	1	FLOAT SWITCH HORIZONTAL
27	PE950147	1	SWITCH SPST NC BLACK
28	A4554817	1	BUSHING-SNAP VA4554817
29	PF031267	1	LABEL HEATER PAN
30	K20915952	1	SHIELD BOTTOM DRAIN
31	PM910399	1	LEVELER MODULE L
32	PE950146	1	SWITCH SPDT BLACK
33	014334-000	2	BRACKET,LT,SWITCH
34	K2098096	1	BRKT GRILLE SUPPORT
35	PC920149	1	BAR-WC BOT HINGE LH
36	000570-000	8	HEX SCREW
37	M0220417	8	SCREW-TC
38	PD940094	2	BUSHING
39	PC920145	2	PIN - DOOR STOP
40	PD940090	2	BUSHING - WC DOOR LEVEL
41	PC920144	2	PLATE - WC DOOR SHIM
42	PD940091	2	BUSHING - DOOR STOP
43	PC020289	1	HINGE PLATE LL
44	PC910015	1	SPRING EXTENSION
45	015802-000	1	GRILLE,TOE,ASM,48 SXS

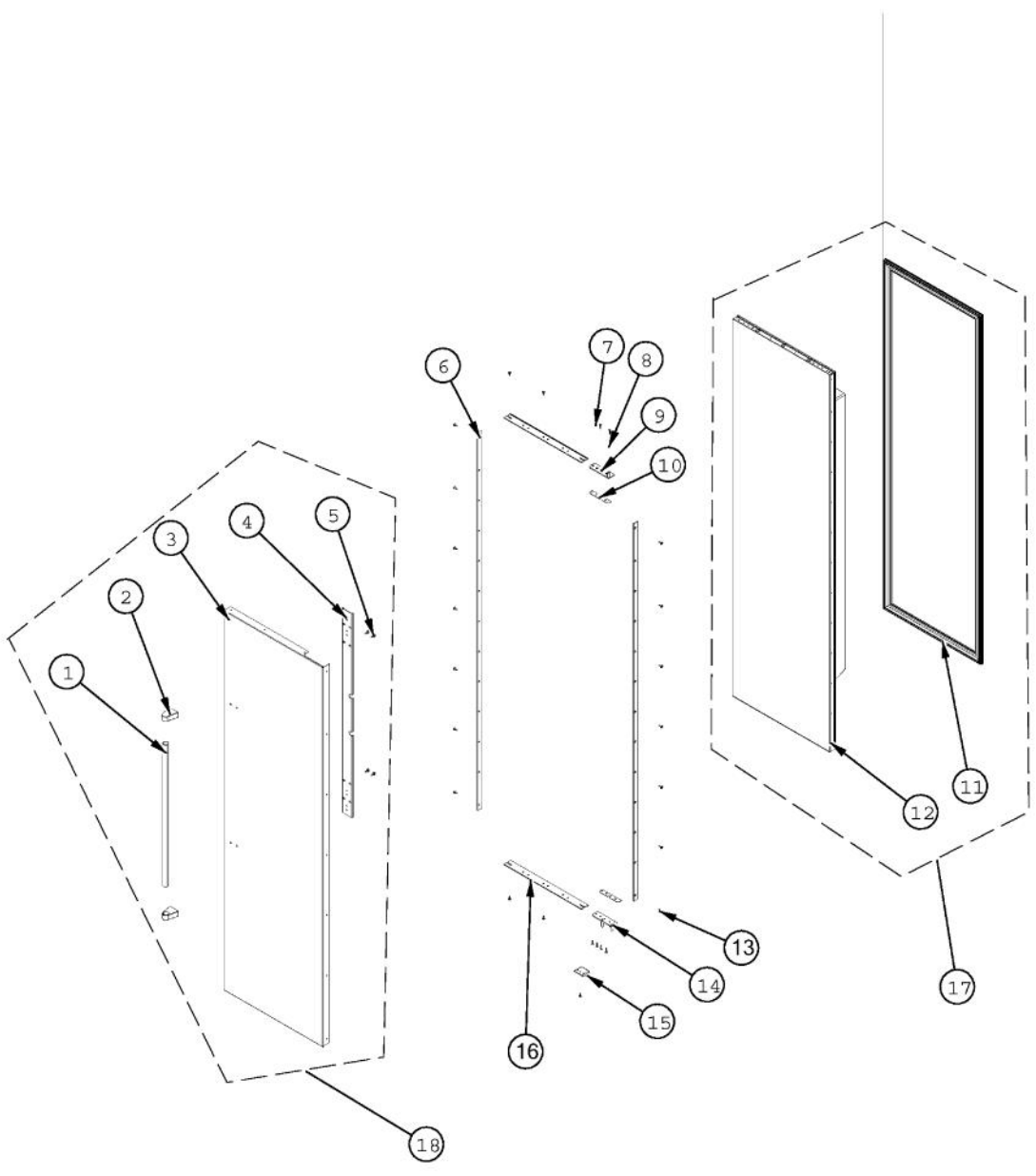




Ref #	Part Number	Qty.	Description
1	PB070355	6	INSULATION MC COVER
2	K2099458	1	MC TOP SXS 42
3	K2099461	1	MC BACK 42
4	PC040010	19	POP RIVET
5	K2099455	1	SUPPORT MC Z
6	PB070360	2	INSULATION MC COVER
7	007341-000	1	INSL, MC, BACK SIDE
8	004614-000	1	MC SIDE R
9	PD020194	40	SCREW-SM
10	A4554806	1	BUSHING-SNAP VA4554806
11	K2099460	1	MC SIDE L

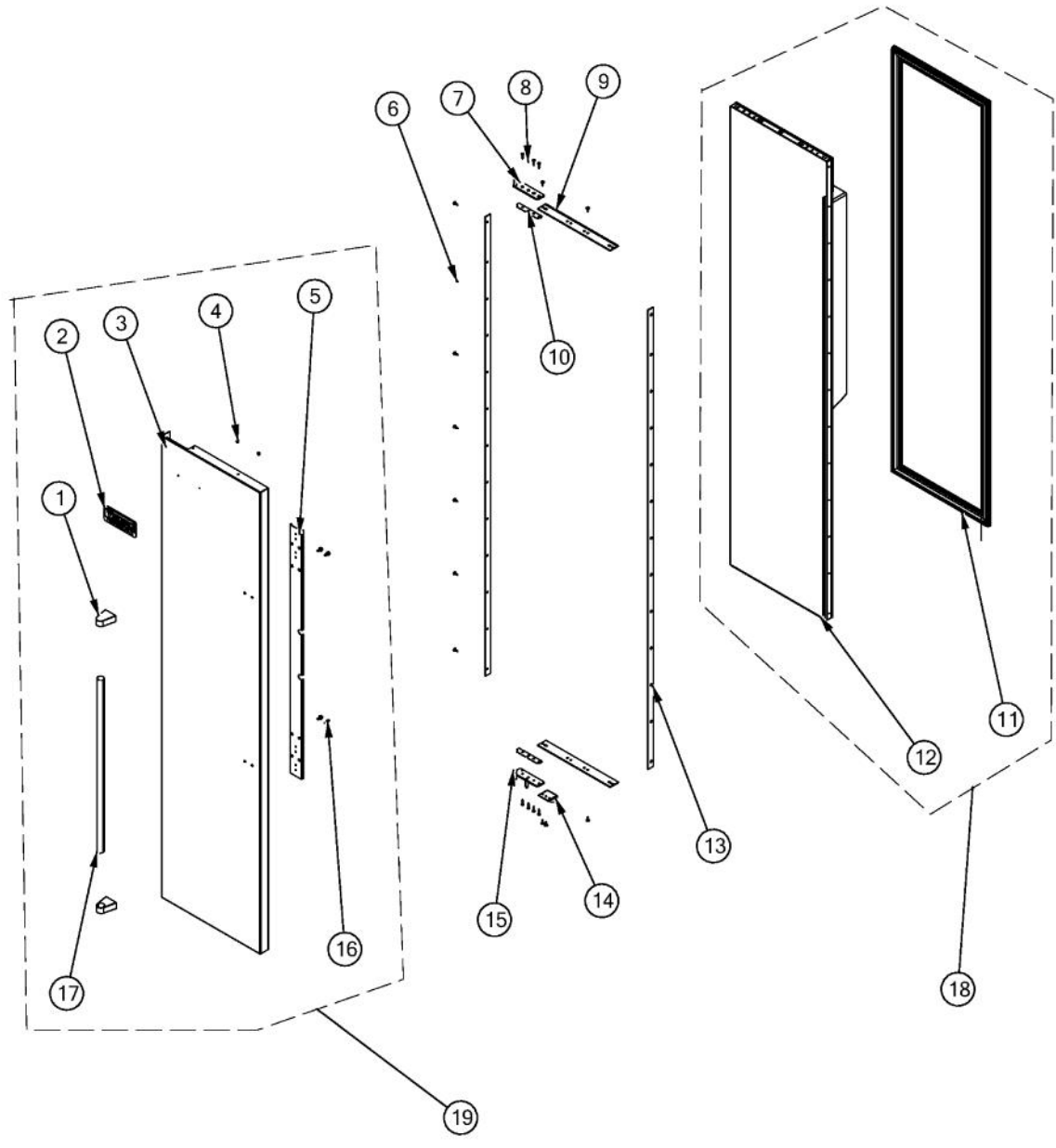


Ref #	Part Number	Qty.	Description
1	016197-000	1	GRILLE UPPER SXS 48 DES
2	M0230028	1	SCREW-TC
3	PM910084	1	SUPPORT GRILLE 12201201
4	PK050004	2	BRACKET GRILLE
5	M0224128	2	SCREW-SM
6	K2099470	1	BRACKET GRILLE SUPPORT R
7	PM910348	1	ENP CAP GRILLE R
8	003004-000	10	8 - 18 X 1/2 ZN/CLR PHIL FLAT TRIM HD NO.5 TYPE AB TAPP...
9	033729-000	1	ENDCAP, GRILLE, R, HINGE
10	016194-000	1	GRILLE LOWER SXS 48 DES
11	PM910365	1	GRILLE CENTER SXS 48 DES
12	PF930523	1	GRILL BLADE LABEL (REFRIGERATOR)
13	PD020194	6	SCREW-SM
14	K2099471	1	BRACKET GRILLE SUPPORT L
15	PM910349	1	END CAP GRILLE L
16	033709-000	1	ENDCAP, GRILLE, L, HINGE
NI	034237-000	1	GRILLE, ASM, 48 SXS, PRO



Ref #	Part Number	Qty.	Description
1	012891-000	1	HANDLE,PRO
2	000268-000	2	HANDLE END CAP ASSY
2	000268-100	2	HANDLE ENDCAP BRASS
3	036432-000	1	SKIN, DOOR, SXS 48 PROI FF SS
3	036447-002	1	SKIN, DOOR, SXS 48 PROI FF, BK
3	036447-003	1	SKIN, DOOR, SXS 48 PROI FF BT
3	036447-004	1	SKIN, DOOR, SXS 48 PROI FF SG
3	036447-005	1	SKIN, DOOR, SXS 48 PROI FF GG
3	036447-006	1	SKIN, DOOR, SXS 48 PROI FF, WH
3	036447-008	1	SKIN, DOOR, SXS 48 PROI FF BU
3	036447-009	1	SKIN, DOOR, SXS 48 PROI FF LE
3	036447-010	1	SKIN, DOOR, SXS 48 PROI FF MJ
3	036447-012	1	SKIN, DOOR, SXS 48 PROI FF VB
3	036447-013	1	SKIN, DOOR, SXS 48 PROI FF CB
3	036447-015	1	SKIN, DOOR, SXS 48 PROI FF PL
3	036447-016	1	SKIN, DOOR, SXS 48 PROI FF CH
3	036447-017	1	SKIN, DOOR, SXS 48 PROI FF TP
3	036447-018	1	SKIN, DOOR, SXS 48 PROI FF CW
3	036447-021	1	SKIN, DOOR, SXS 48 PROI FF SA
3	036447-022	1	SKIN, DOOR, SXS 48 PROI FF SE
3	036447-023	1	SKIN, DOOR, SXS 48 PROI FF IB
3	036447-024	1	SKIN, DOOR, SXS 48 PROI FF AR
3	036447-025	1	SKIN, DOOR, SXS 48 PROI FF RR
3	036447-051	1	SKIN, DOOR, SXS 48 PROI FF CN
3	036447-052	1	SKIN, DOOR, SXS 48 PROI FF DJ
3	036447-053	1	SKIN, DOOR, SXS 48 PROI FF KB
3	036447-054	1	SKIN, DOOR, SXS 48 PROI FF WS
4	013328-000	1	BRKT,HANDLE,SUPPORT,PRO
5	M0204303	4	SCREW-MACH
6	014581-000	2	SPACER,TRIM,SXS,AF,AR
7	PD920174	8	10-32 TORX HEAD SCREW
8	PD020234	1	SCREW THP 10-32 X .500 SS BO
9	PC020278	1	PIVOT PL ASM RH UP PRO/DES
10	PD040162	2	SPACER-DOOR HINGE
11	005454-000	1	GASKET, ASM, 48,SXS, FF
12	007047-000	1	DOOR FOAM ASM SXS 48 FF
13	M0210458	14	SCREW-SM
14	016181-000	1	PIVOT PL ASM RH LW PRO/DES
15	PD050019	1	STRIKER DOOR SWITCH
16	PK030559	2	TRIM DOOR BULLNOSE 48 FF TOP/BOT
17	007070-000	1	DOOR ASM 48/48D FF
18	010626-000	1	SKIN,ASM,SXS 48 PROI FF SS
18	009586-002	1	SKIN, ASM, SXS 48 PROI FF BK
18	009586-003	1	SKIN, ASM, SXS 48 PROI FF BT
18	009586-004	1	SKIN, ASM, SXS 48 PROI FF SG
18	009586-005	1	SKIN, ASM, SXS 48 PROI FF GG
18	009586-008	1	SKIN, ASM, SXS 48 PROI FF BU
18	009586-009	1	SKIN, ASM, SXS 48 PROI FF LE
18	009586-010	1	SKIN, ASM, SXS 48 PROI FF MJ
18	009586-012	1	SKIN, ASM, SXS 48 PROI FF VB
18	009586-013	1	SKIN, ASM, SXS 48 PROI FF CB
18	009586-015	1	SKIN, ASM, SXS 48 PROI FF PL
18	009586-016	1	SKIN, ASM, SXS 48 PROI FF CH
18	009586-017	1	SKIN, ASM, SXS 48 PROI FF TP
18	009586-018	1	SKIN, ASM, SXS 48 PROI FF CW
18	009586-021	1	SKIN, ASM, SXS 48 PROI FF SA
18	009586-022	1	SKIN, ASM, SXS 48 PROI FF SE
18	009586-023	1	SKIN, ASM, SXS 48 PROI FF IB
18	009586-024	1	SKIN, ASM, SXS 48 PROI FF AR
18	009586-025	1	SKIN, ASM, SXS 48 PROI FF RR

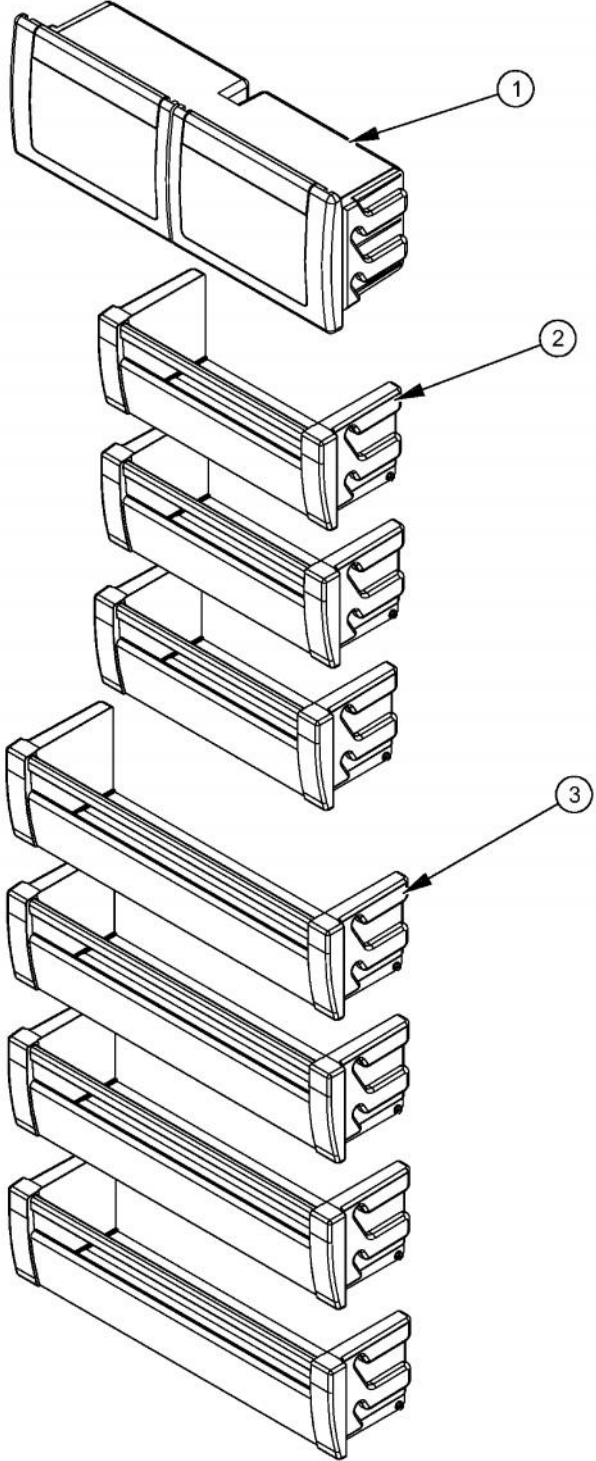
Ref #	Part Number	Qty.	Description
18	009586-025	1	SKIN, ASM, SXS 48 PROI FF RR
18	009586-051	1	SKIN ASM, SXS 48 PROI FF CN
18	009586-052	1	SKIN ASM, SXS 48 PROI FF DJ
18	009586-053	1	SKIN ASM, SXS 48 PROI FF KB
18	009586-054	1	SKIN ASM, SXS 48 PROI FF WS
18	010626-100	1	SKIN, ASM, SXS 48 FF PROI SS BRASS
18	009586-102	1	SKIN, ASM, SXS 48 PROI FF BK/BR
18	009586-103	1	SKIN, ASM, SXS 48 PROI FF BT/BR
18	009586-104	1	SKIN, ASM, SXS 48 PROI FF SG/BR
18	009586-105	1	SKIN, ASM, SXS 48 PROI FF GG/BR
18	009586-108	1	SKIN, ASM, SXS 48 PROI FF BU/BR
18	009586-109	1	SKIN, ASM, SXS 48 PROI FF LE/BR
18	009586-110	1	SKIN, ASM, SXS 48 PROI FF MJ/BR
18	009586-112	1	SKIN, ASM, SXS 48 PROI FF VB/BR
18	009586-113	1	SKIN, ASM, SXS 48 PROI FF CB/BR
18	009586-115	1	SKIN, ASM, SXS 48 PROI FF PL/BR
18	009586-116	1	SKIN, ASM, SXS 48 PROI FF CH/BR
18	009586-117	1	SKIN, ASM, SXS 48 PROI FF TP/BR
18	009586-118	1	SKIN, ASM, SXS 48 PROI FF CW/BR
18	009586-121	1	SKIN, ASM, SXS 48 PROI FF SA/BR
18	009586-122	1	SKIN, ASM, SXS 48 PROI FF SE/BR
18	009586-123	1	SKIN, ASM, SXS 48 PROI FF IB/BR
18	009586-124	1	SKIN, ASM, SXS 48 PROI FF AR/BR
18	009586-125	1	SKIN, ASM, SXS 48 PROI FF RR/BR
18	009586-151	1	SKIN ASM, SXS 48 PROI FF CN/BR
18	009586-152	1	SKIN ASM, SXS 48 PROI FF DJ/BR
18	009586-153	1	SKIN ASM, SXS 48 PROI FF KB/BR
18	009586-154	1	SKIN ASM, SXS 48 PROI FF WS/BR



Ref #	Part Number	Qty.	Description
1	000268-000	2	HANDLE END CAP ASSY
1	000268-100	2	HANDLE ENDCAP BRASS
2	PE010030	1	LOGO, 6, PRO, BK
2	PE010068	1	LOGO, 6, PRO, BK/BR
3	010601-000	1	SKIN,DOOR,SXS 42 FZ PROI SS
3	036448-002	1	SKIN, DOOR, SXS 48 PRO I FZ, BK
3	036448-003	1	SKIN, DOOR, SXS 42D PROI FZ BT
3	036448-004	1	SKIN, DOOR, SXS 42D PROI FZ SG
3	036448-005	1	SKIN, DOOR, SXS 42D PROI FZ GG
3	036448-006	1	SKIN, DOOR, SXS 48 PRO I FZ, WH
3	036448-008	1	SKIN, DOOR, SXS 42D PROI FZ BU
3	036448-009	1	SKIN, DOOR, SXS 42D PROI FZ LE
3	036448-010	1	SKIN, DOOR, SXS 42D PROI FZ MJ
3	036448-012	1	SKIN, DOOR, SXS 42D PROI FZ VB
3	036448-013	1	SKIN, DOOR, SXS 42D PROI FZ CB
3	036448-015	1	SKIN, DOOR, SXS 42D PROI FZ PL
3	036448-016	1	SKIN, DOOR, SXS 42D PROI FZ CH
3	036448-017	1	SKIN, DOOR, SXS 42D PROI FZ TP
3	036448-018	1	SKIN, DOOR, SXS 42D PROI FZ CW
3	036448-021	1	SKIN, DOOR, SXS 42D PROI FZ SA
3	036448-022	1	SKIN, DOOR, SXS 42D PROI FZ SE
3	036448-023	1	SKIN, DOOR, SXS 42D PROI FZ IB
3	036448-024	1	SKIN, DOOR, SXS 42D PROI FZ AR
3	036448-025	1	SKIN, DOOR, SXS 42D PROI FZ RR
3	036448-051	1	SKIN, DOOR, SXS 42D PROI FZ CN
3	036448-052	1	SKIN, DOOR, SXS 42D PROI FZ DJ
3	036448-053	1	SKIN, DOOR, SXS 42D PROI FZ KB
3	036448-054	1	SKIN, DOOR, SXS 42D PROI FZ WS
4	PD030006	2	CAPPED WASHER PAL NUT
5	013328-000	1	BRKT,HANDLE,SUPPORT,PRO
6	M0210458	12	SCREW-SM
7	PC020279	1	PIVOT PL ASM LH UP PRO/DES
8	PD920174	8	10-32 TORX HEAD SCREW
9	PK030560	2	TRIM DOOR BULLNOSE 48 FZ TOP/BOT
10	PD040162	2	SPACER-DOOR HINGE
11	005455-000	1	GASKET,ASM,48,SXS,FZ VIDNO. 602711917-17
12	007050-000	1	DOOR FOAM ASM SXS 48 FZ
13	014581-000	2	SPACER,TRIM,SXS,AF,AR
14	PD050019	1	STRIKER DOOR SWITCH
15	016182-000	1	PIVOT PL ASM LH LW PRO/DES
16	M0204303	4	SCREW-MACH
17	012891-000	1	HANDLE,PRO
18	007072-000	1	DOOR ASM 48 FZ
19	010608-000	1	SKIN,ASM,SXS 42 PROI FZ SS
19	009578-002	1	SKIN, ASM, SXS 42 PROI FZ BK
19	009578-003	1	SKIN, ASM, SXS 42 PROI FZ BT
19	009578-004	1	SKIN, ASM, SXS 42 PROI FZ SG
19	009578-005	1	SKIN, ASM, SXS 42 PROI FZ GG
19	009578-008	1	SKIN, ASM, SXS 42 PROI FZ BU
19	009578-009	1	SKIN, ASM, SXS 42 PROI FZ LE
19	009578-010	1	SKIN, ASM, SXS 42 PROI FZ MJ
19	009578-012	1	SKIN, ASM, SXS 42 PROI FZ VB
19	009578-013	1	SKIN, ASM, SXS 42 PROI FZ CB
19	009578-015	1	SKIN, ASM, SXS 42 PROI FZ PL
19	009578-016	1	SKIN, ASM, SXS 42 PROI FZ CH
19	009578-017	1	SKIN, ASM, SXS 42 PROI FZ TP
19	009578-018	1	SKIN, ASM, SXS 42 PROI FZ CW
19	009578-021	1	SKIN, ASM, SXS 42 PROI FZ SA
19	009578-022	1	SKIN, ASM, SXS 42 PROI FZ SE
19	009578-023	1	SKIN, ASM, SXS 42 PROI FZ IB



Ref #	Part Number	Qty.	Description
19	009578-023	1	SKIN, ASM, SXS 42 PROI FZ IB
19	009578-024	1	SKIN, ASM, SXS 42 PROI FZ AR
19	009578-025	1	SKIN, ASM, SXS 42 PROI FZ RR
19	009578-051	1	SKIN, ASM, SXS 42 FZ PROI CN
19	009578-052	1	SKIN, ASM, SXS 42 FZ PROI DJ
19	009578-053	1	SKIN, ASM, SXS 42 FZ PROI KB
19	009578-054	1	SKIN, ASM, SXS 42 FZ PROI WS
19	010608-100	1	SKIN, ASM, SXS 42 FZ PROI SS BRASS
19	009578-102	1	SKIN, ASM, SXS 42 PROI FZ BK/BR
19	009578-103	1	SKIN, ASM, SXS 42 PROI FZ BT/BR
19	009578-104	1	SKIN, ASM, SXS 42 PROI FZ SG/BR
19	009578-105	1	SKIN, ASM, SXS 42 PROI FZ GG/BR
19	009578-108	1	SKIN, ASM, SXS 42 PROI FZ BU/BR
19	009578-109	1	SKIN, ASM, SXS 42 PROI FZ LE/BR
19	009578-110	1	SKIN, ASM, SXS 42 PROI FZ MJ/BR
19	009578-112	1	SKIN, ASM, SXS 42 PROI FZ VB/BR
19	009578-113	1	SKIN, ASM, SXS 42 PROI FZ CB/BR
19	009578-115	1	SKIN, ASM, SXS 42 PROI FZ PL/BR
19	009578-116	1	SKIN, ASM, SXS 42 PROI FZ CH/BR
19	009578-117	1	SKIN, ASM, SXS 42 PROI FZ TP/BR
19	009578-118	1	SKIN, ASM, SXS 42 PROI FZ CW/BR
19	009578-121	1	SKIN, ASM, SXS 42 PROI FZ SA/BR
19	009578-122	1	SKIN, ASM, SXS 42 PROI FZ SE/BR
19	009578-123	1	SKIN, ASM, SXS 42 PROI FZ IB/BR
19	009578-124	1	SKIN, ASM, SXS 42 PROI FZ AR/BR
19	009578-125	1	SKIN, ASM, SXS 42 PROI FZ RR/BR
19	009578-151	1	SKIN, ASM, SXS 42 FZ PROI CN/BR
19	009578-152	1	SKIN, ASM, SXS 42 FZ PROI DJ/BR
19	009578-153	1	SKIN, ASM, SXS 42 FZ PROI KB/BR
19	009578-154	1	SKIN, ASM, SXS 42 FZ PROI WS/BR



Ref #	Part Number	Qty.	Description
1	PK930123	1	DAIRY MODULE ASM SXS 42
2	G5098676	3	DOORBIN ASM SXS 42 & 48 FZ
3	G5099291	4	DOOR BIN ASM SXS 48 FF AND 30 AR
NI	019244-000	1	ACCESSORY, ASM