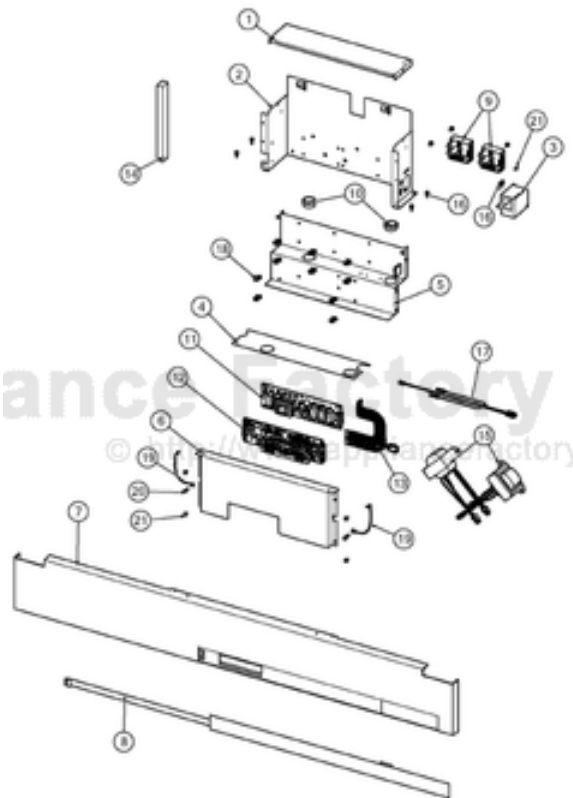


This Owner's Manual is provided and hosted by [Appliance Factory Parts](#).



# VIKING VCSB5483\_1 Owner's Manual

[Shop genuine replacement parts for VIKING  
VCSB5483\\_1](#)



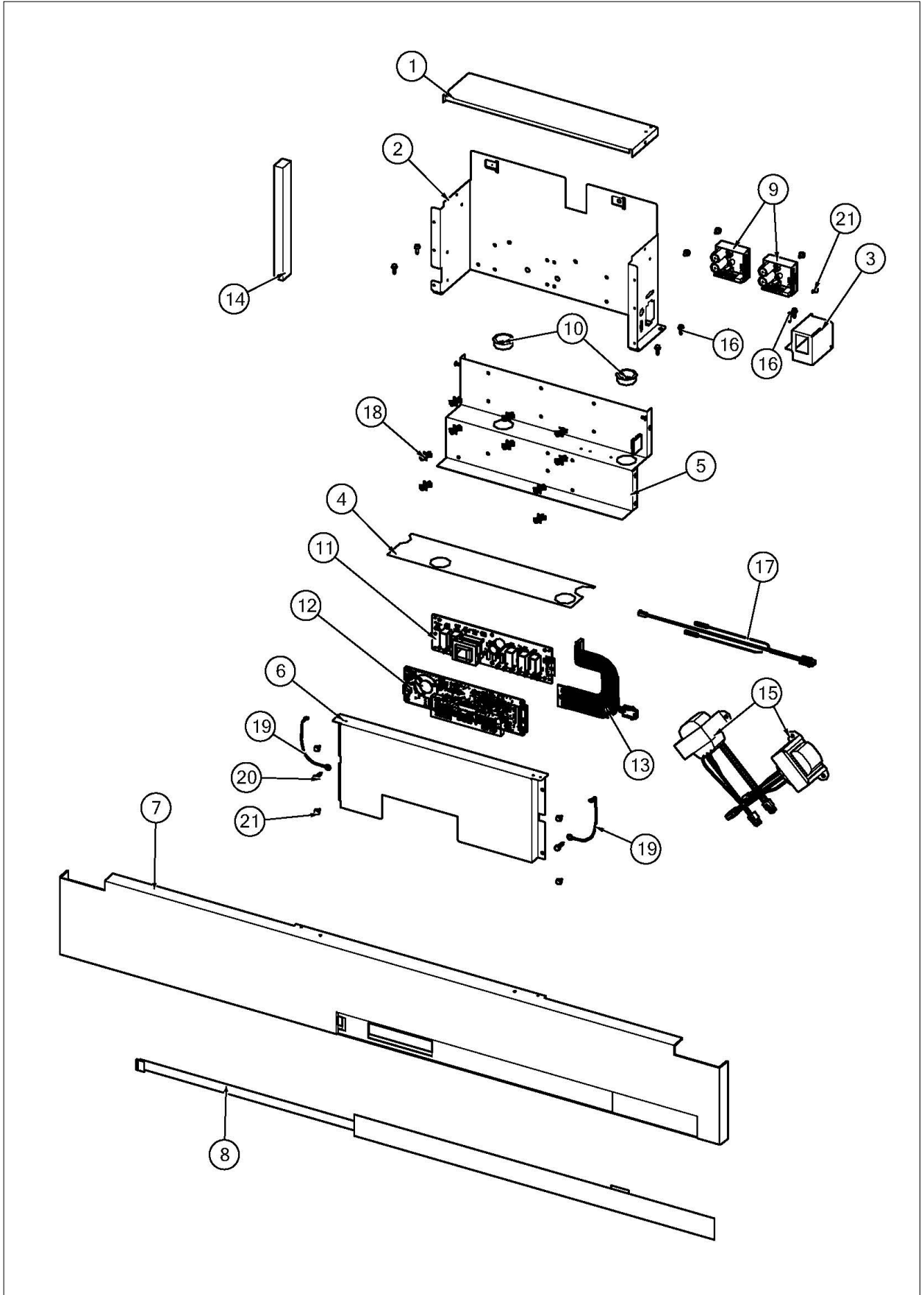
[Find Your VIKING Refrigerator Parts - Select From 341 Models](#)

----- Manual continues below -----

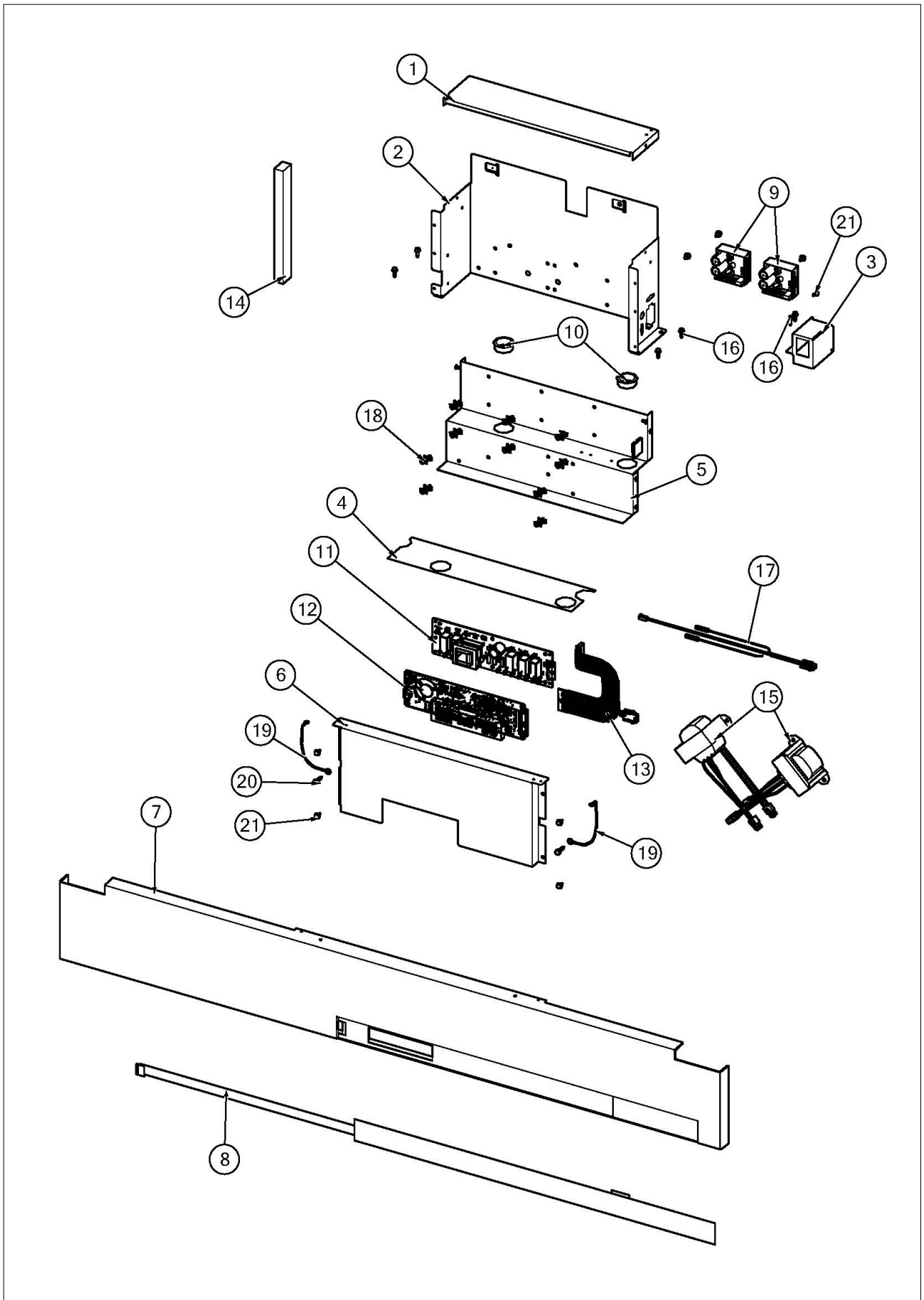
**VCSB5483**

CONTROL .....	1
FREEZER INTERIOR .....	2
FRESH FOOD INTERIOR .....	3
UNIT TOP .....	4
UNIT BOTTOM .....	5
DECOR .....	6
FREEZER DOOR .....	7
FRESH FOOD DOOR .....	8
Appendix A:Pages Index .....	A
Appendix B:Parts Index .....	B

CONTROL



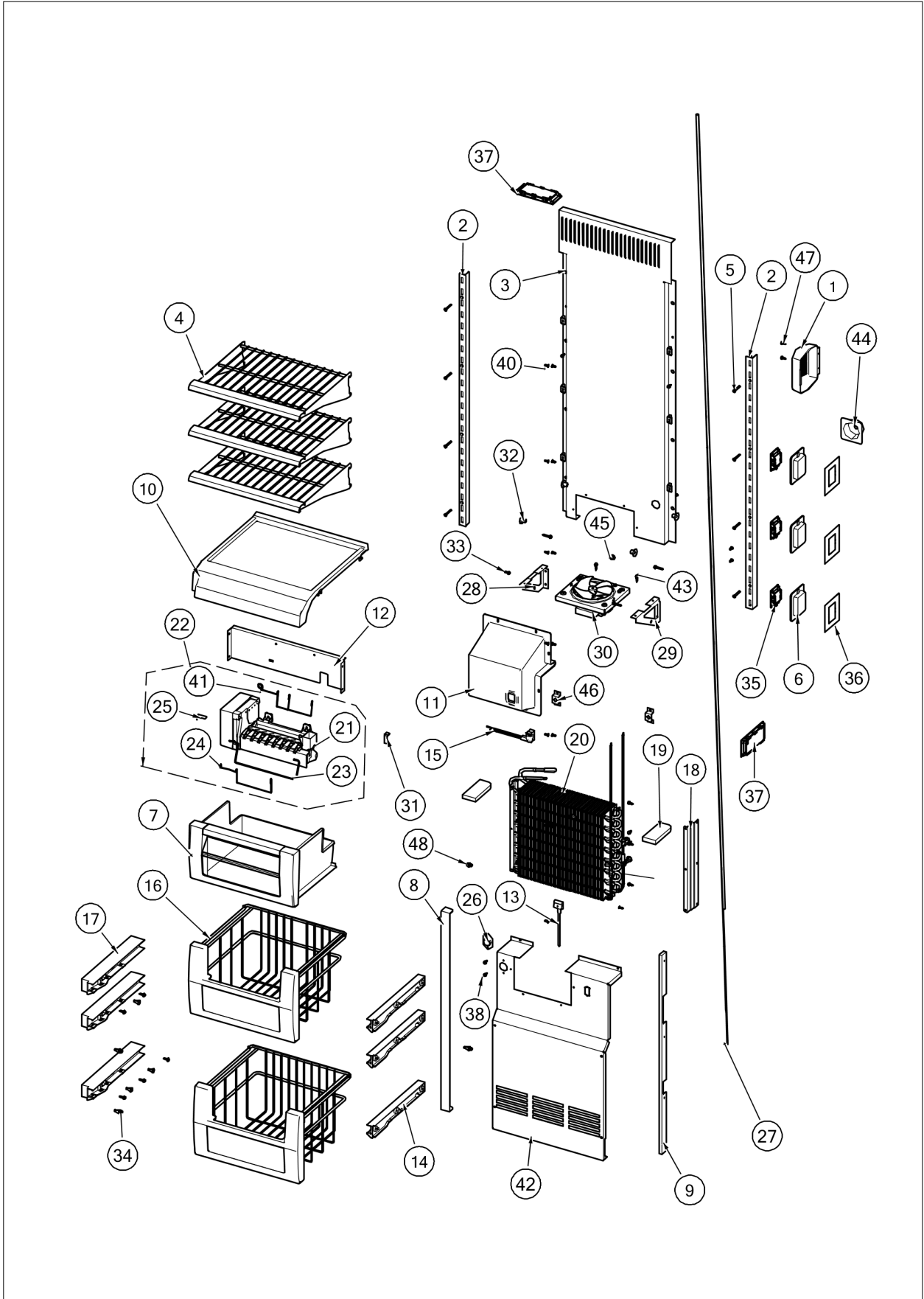
Item	Part No.	Name	Qty	Uom	NOTES
1	K20915000	CONTROL BOX TOP	1	EA	
2	047016-000	MOTOR CONTROL BOX	1	EA	Not available online / Call for pricing and availability
3	025433-000	BRACKET,SW,POWER	1	EA	
4	005396-000	FILM,PROTECTIVE	1	EA	
5	044479-000	MOTOR BRACKET PCB	1	EA	
6	016930-000	MOTR CONTROL BOX FRONT	1	EA	
7	016593-000	PANEL CONTROL SXS 48	1	EA	
8	054569-000	OVERLAY SWITCH ASM 48 SXS NON-DISP	1	EA	Not available online / Call for pricing and availability
9	046385-000	CIRCUIT, LED SOFT START	2	EA	
10	A4554817	BUSHING-SNAP VA4554817	2	EA	
11	005319-000	High Voltage Board	1	EA	
12	057309-000	BOARD, LOW VOLTAGE	1	EA	
13	PE970464	HARNESS LOW VOLT	1	EA	
14	A3030361	GASKET RED	1	EA	
15	046386-000	TRANSFORMER, LED SOFT START	2	EA	
16	PD020194	SCR, HEX SRTD WSHR HD, #8-18 X 1/2	4	EA	
17	PE970609	HARNESS CONTROL BOARD	1	EA	
18	M0585504	SUPPORT	10	EA	
19	12064001	SUPP-CONT PANEL	2	EA	
20	M0238859	SCREW-SHLDR	2	EA	
<p>Comments for Part Num. M0238859</p> <p>karen@knservice.com on Oct 22, 2015</p> <p>the description describes the part as "screw shoulder" but it is the only arrow pointing at the fan motor. the actual shoulder screw has the same part numer as the fan blade</p>					
21	PD020193	SCR 8-18 X 3/8	8	EA	
NI	048643-000	HARNESS, HIGH VOLTAGE	1	EA	Not available online / Call for pricing and availability





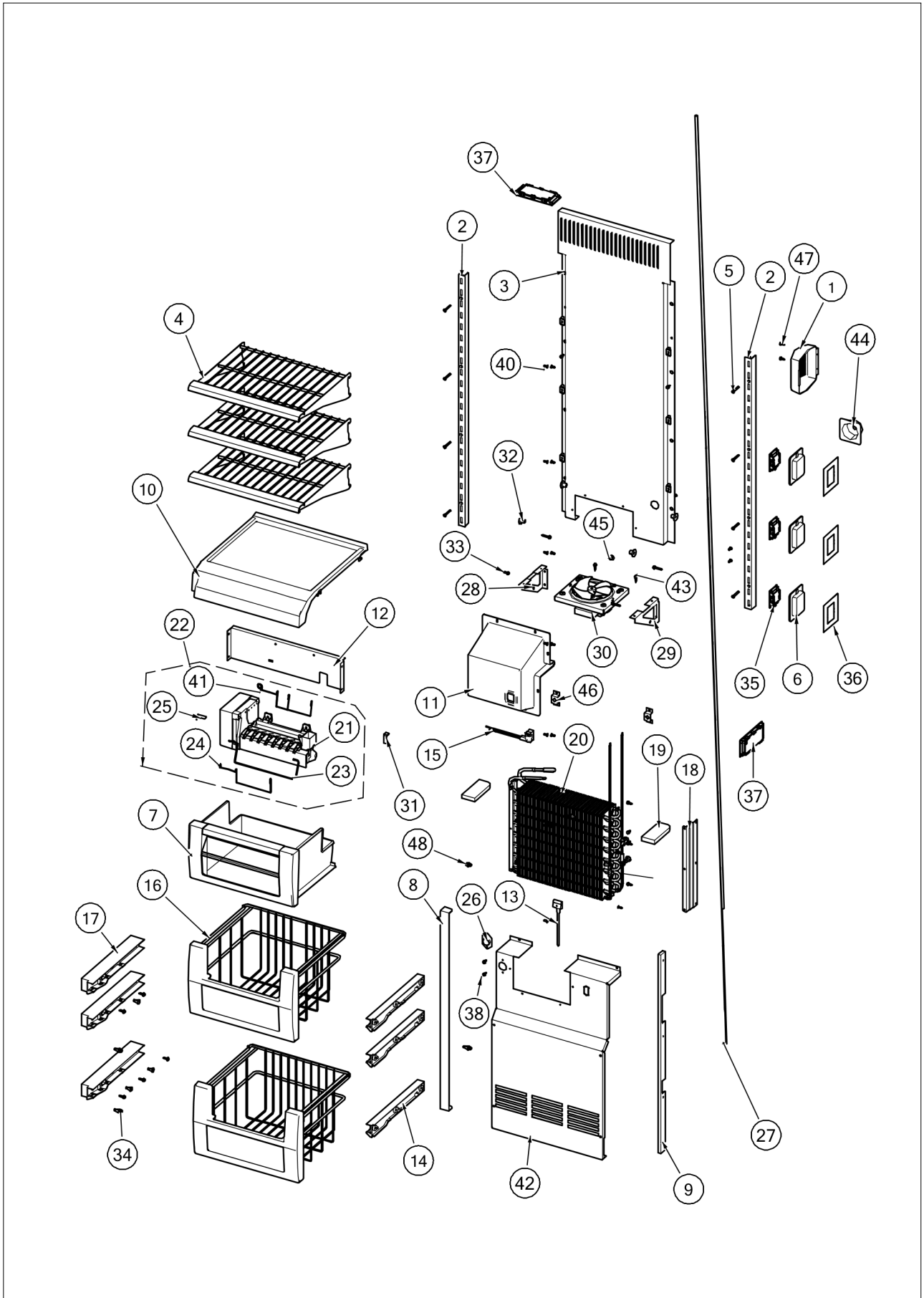
Item	Part No.	Name	Qty	Uom	NOTES
NI	048680-000	HARNESS, POWER SUPPLY, LED, BM/SXS	1	EA	Not available online / Call for pricing and availability
NI	A3189370	GASKET-FOAM VA3189370	1	EA	

FREEZER INTERIOR

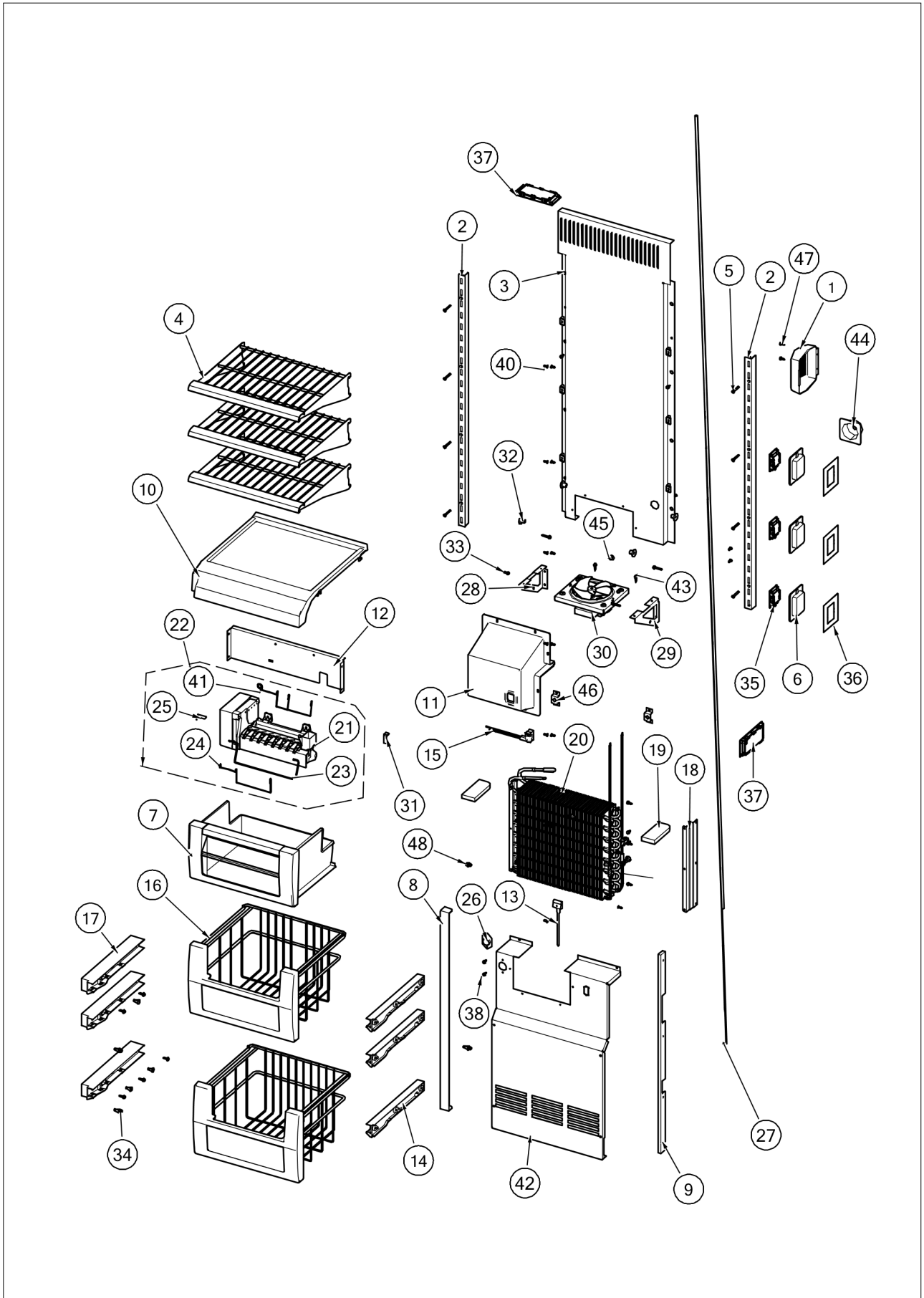




Item	Part No.	Name	Qty	Uom	NOTES
1	053283-000	COVER, FAN, SXS, FREEZER	1	EA	Not available online / Call for pricing and availability
2	12231701	LADDER-FZ L/R SIDE	2	EA	
3	L2097181	COVER EVAP UPPER SXS 48	1	EA	
4	PM910411	SHELF WIRE AF 36	3	EA	
5	M0238535	SCREW-SM	8	EA	
6	046358-000	LED CUP ASSY (3)	3	EA	
7	PK930076	ICE PAN ASM SXS 48	1	EA	
8	PK930073	CLOSEOUT SIDE SXS 48 FZ L	1	EA	
9	12304301	CLOSEOUT-FZ SIDE #	1	EA	Not available online / Call for pricing and availability
10	PK930079	SHELF COVER SXS 48 FZ	1	EA	
11	PK930150	COVER CTR EVAP	1	EA	
12	C2097183	SUPPORT IM ND SXS 48	1	EA	
13	057350-000	EXTENSION, DFR, HEATER, BM	1	EA	
14	PK930074	GLIDE SXS 48 FZ R	3	EA	
15	058966-000	Defrost Terminator	1	EA	
16	PM910190	BASKET ASM FZ	2	EA	
17	PK930075	GLIDE SXS 48 FZ L	3	EA	
18	053200-000	BRKT- EVAP COVER 12234801	1	EA	Not available online / Call for pricing and availability
19	10629001	BLOCK-R AIR COIL RED	2	EA	
20	G50910020	EVAP ASM SXS	1	EA	
21	043156-000	IM ASM, SXS DISP	1	EA	
22	057731-000	ICEMAKER	1	EA	
NI	023112-000	HARNESS,ICE MAKER	1	EA	
23	002329-000	ARM, IM SHUTOFF	1	EA	
24	007082-000	WIRE, IM SHUTOFF	1	EA	
25	PD030155	CLIP-IM FILL CUP	1	EA	
26	C8983701	THERMISTOR	1	EA	
27	053308-000	HEAT EXCHANGER ASM SXS 42	1	EA	



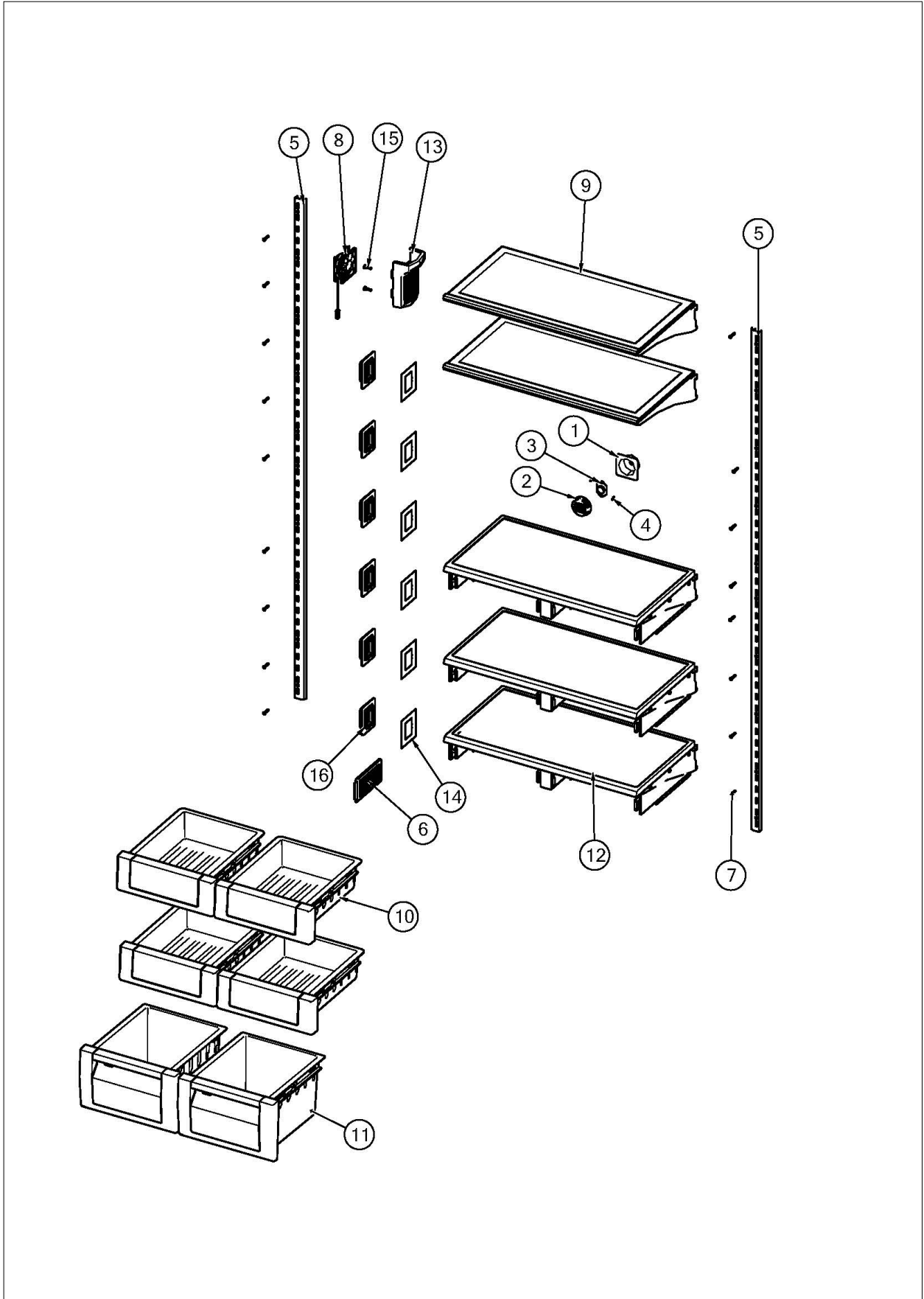
Item	Part No.	Name	Qty	Uom	NOTES
28	K2096458	BRKT-L-EVAP-FAN 12223102	1	EA	
29	K2096457	BRKT-R-EVAP FAN 12223101	1	EA	
30	G5098660	FAN EVAP ASM PANASONIC	1	EA	
31	10526701	CLAMP-WIRE V10526701	1	EA	
32	12258501	SUPPORT-SHELF	4	EA	
33	M0211021	SCREW-SM	4	EA	
34	PD020195	SCR 8-18 X 5/8	11	EA	
35	042764-000	LED LIGHT, 3-POINT	3	EA	
36	044694-000	LED SHIM, SMALL SINGLE	6	EA	
37	042766-000	LED LIGHT, 8-POINT	2	EA	
38	M0253916	SCREW-TF	2	EA	
39	M0581001	GROMMET-SCREW VM0581001	9	EA	
40	M0215318	SCREW-SM	16	EA	
41	054453-000	WIRE, IM, SHUTOFF	1	EA	
42	053191-000	COVER EVAP LOWER SXS	1	EA	Not available online / Call for pricing and availability
43	M0238859	SCREW-SHLDR	4	EA	
<p>Comments for Part Num. M0238859</p> <p>karen@knservice.com on Oct 22, 2015</p> <p>the description describes the part as "screw shoulder" but it is the only arrow pointing at the fan motor. the actual shoulder screw has the same part numer as the fan blade</p>					
44	053258-000	COVER, SXS, WIRES	1	EA	Not available online / Call for pricing and availability
45	12102501	RET-HARNESS	2	EA	
46	K2096456	BRKT-EVAP CLIP 12215101	2	EA	Not available online / Call for pricing and availability
47	PD020194	SCR, HEX SRTD WSHR HD, #8- 18 X 1/2	2	EA	
48	M0581001	GROMMET-SCREW VM0581001	1	EA	
49	PJ910031	HEATER EVAP SXS	1	EA	





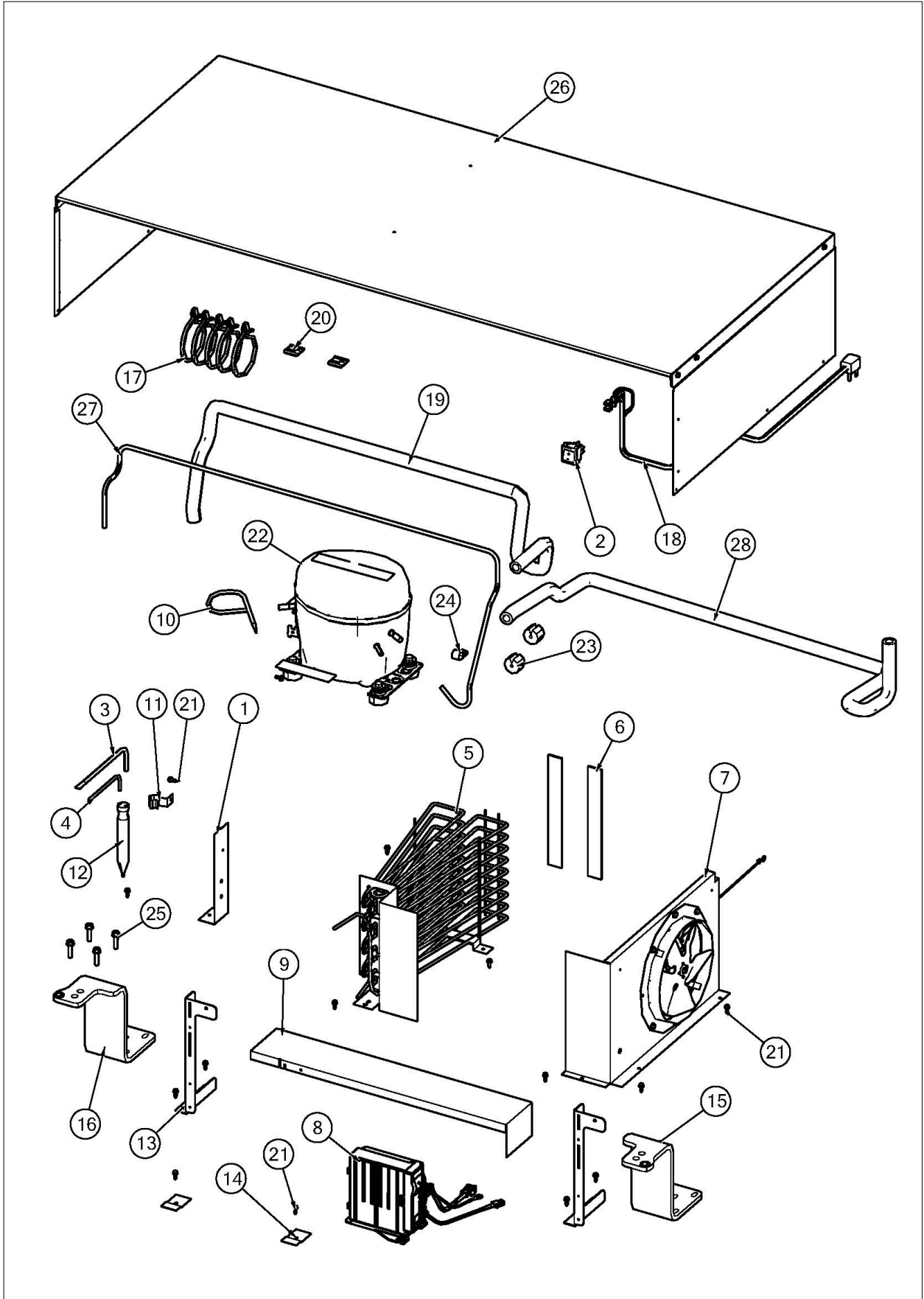
Item	Part No.	Name	Qty	Uom	NOTES
NI	A3189370	GASKET-FOAM VA3189370	1	EA	
NI	A3030303	GASKET-FOAM VA3189348	1	EA	
NI	A3030361	GASKET RED	2	EA	
NI	A3189348	GASKET-FOAM VA3189348	2	EA	
NI	M0321209	TIE-ELEC	1	EA	

FRESH FOOD INTERIOR



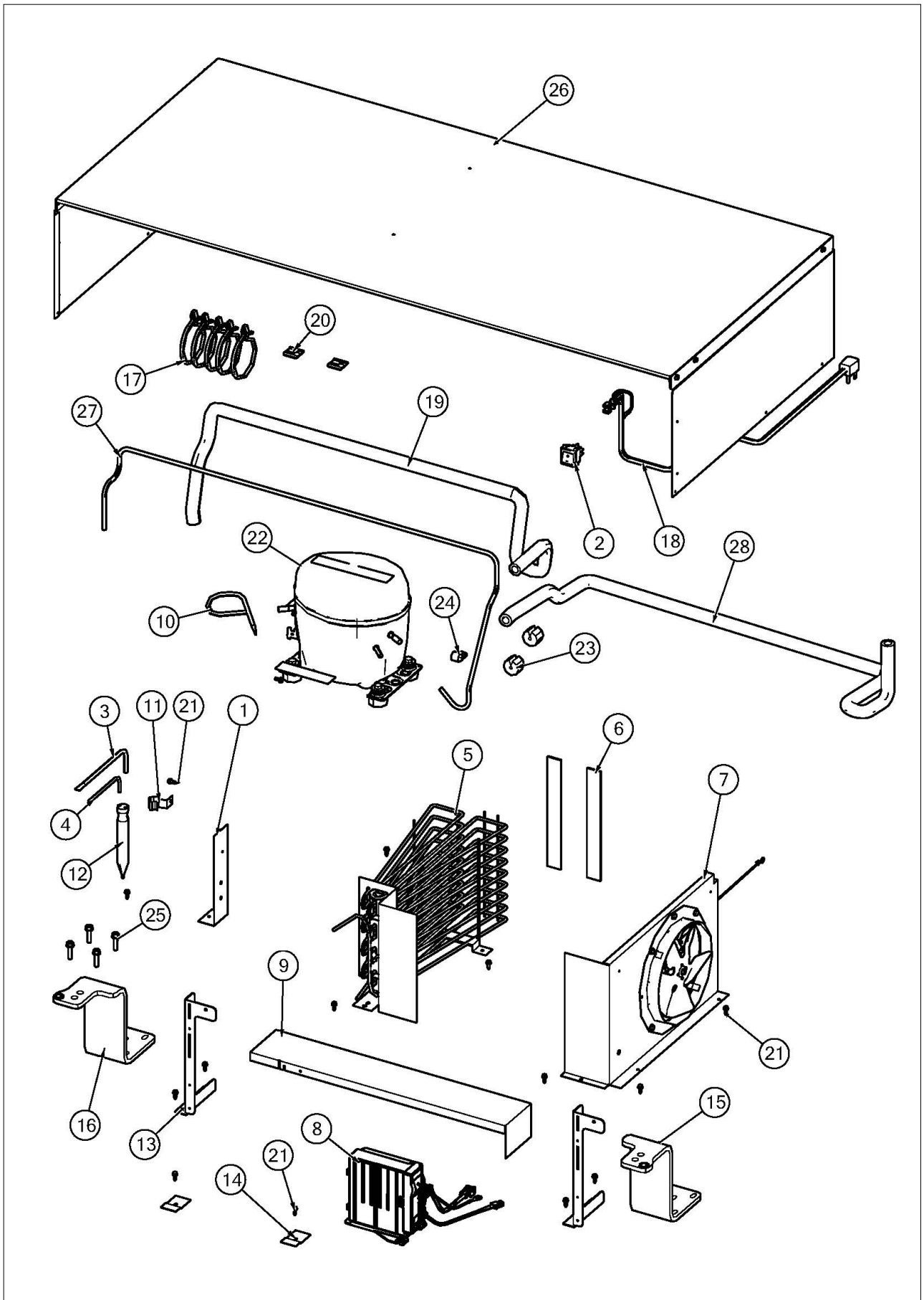
Item	Part No.	Name	Qty	Uom	NOTES
1	053258-000	COVER, SXS, WIRES	1	EA	Not available online / Call for pricing and availability
2	053248-000	COVER, SXS, THERM	1	EA	
3	C8983701	THERMISTOR	1	EA	
4	M0215318	SCREW-SM	2	EA	
5	053004-000	LADDER SXS 42 48	2	EA	Not available online / Call for pricing and availability
6	053183-000	COVER, FF, SXS	1	EA	Not available online / Call for pricing and availability
7	013397-000	1" PAINTED LADDER SCREW	20	EA	
8	020467-000	FAN,AXIAL,80X80X25MM 24 VDC	1	EA	
9	042675-000	SHELF, GL, 48" GLASS SHELF ASSY	2	EA	
10	G32911938	DRAWER DELI ASM SXS 48 AR 30	4	EA	
11	012259-000	DRAWER PRODUCE ASM AR 30/48	2	EA	
12	045819-000	SHELF ASM 48 FOL	3	EA	
13	053302-000	COVER, FAN, FF, SXS, 42/48	1	EA	
14	044694-000	LED SHIM, SMALL SINGLE	6	EA	
15	007301-000	GROMMET,RUBBER	2	EA	
16	046358-000	LED CUP ASSY (3)	6	EA	
NI	011059-000	HARNESS, JUMPER	1	EA	Not available online / Call for pricing and availability

UNIT TOP





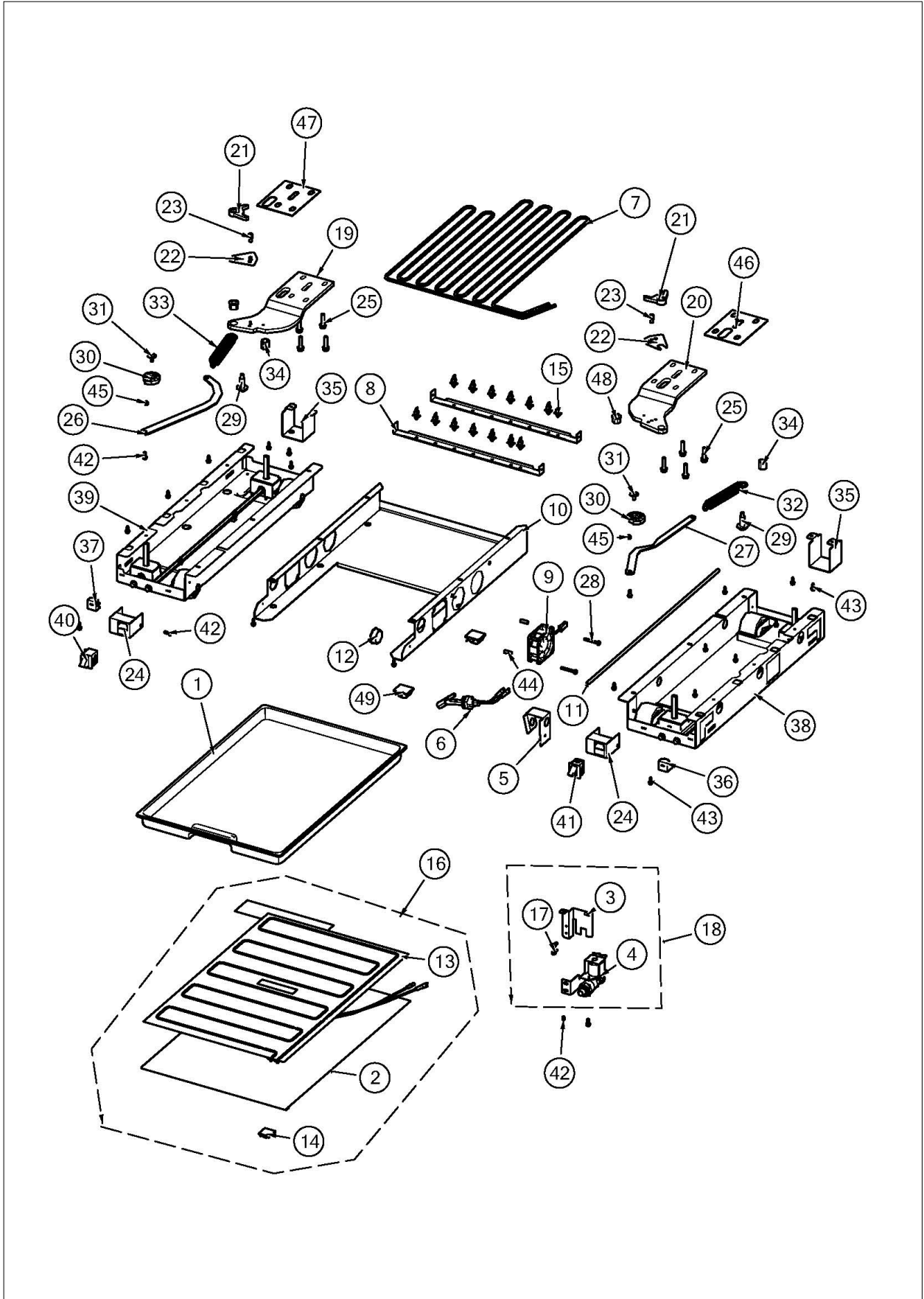
Item	Part No.	Name	Qty	Uom	NOTES
1	K2099454	Bracket	1	EA	
2	PE950149	Power Switch	1	EA	
3	F2097740	TUBE PROCESS	1	EA	
4	F2096504	TUBE-DRIER EXT	1	EA	
5	PB920171	Condenser Assembly	1	EA	
6	A3189370	GASKET-FOAM VA3189370	2	EA	
7	050903-000	CONDENSER FAN ASM	1	EA	
8	050926-000	INVERTER, CMPR, ASM	1	EA	
9	014519-000	DIVERTER AIR HI SIDE SXS	1	EA	
10	F2096507	TUBE-PROCESS GRN	1	EA	
11	10547001	CLIP-DRIER V10547001	1	EA	
12	PM010616	DRIER - HIGH SIDE	1	EA	
13	014190-000	BRACKET, GRILLE SUPPORT	2	EA	
14	K2096943	Panel Bracket	2	EA	
15	044359-000	UPPER HINGE ASM, RH	1	EA	
16	044358-000	UPPER HINGE ASM, LH	1	EA	
17	M0322202	TIE-WIRE	6	EA	
18	10916507	CORD-POWER V10916507	1	EA	
19	PB970188	INSULATION TUBING 45.000	1	EA	
20	M0104106	CLIP-CORD VM0104106	2	EA	
21	PD020194	SCR, HEX SRTD WSHR HD, #8-18 X 1/2	11	EA	
22	062775-000	Compressor kit	1	EA	
23	10699601	DAMPER-TUBING .8	2	EA	
24	PD030118	INSULATED CLAMP	1	EA	
25	000570-000	FASTENER, BOLT, 1/4-20 IHXWS 1" S ZN SER	8	EA	
26	052700-000	MC COVER ASM BI 48	1	EA	Not available online / Call for pricing and availability
27	054407-000	TUBING, DISCHARGE	1	EA	Not available online / Call for pricing and availability
28	PB970187	INSULATION TUBING 57.500	1	EA	



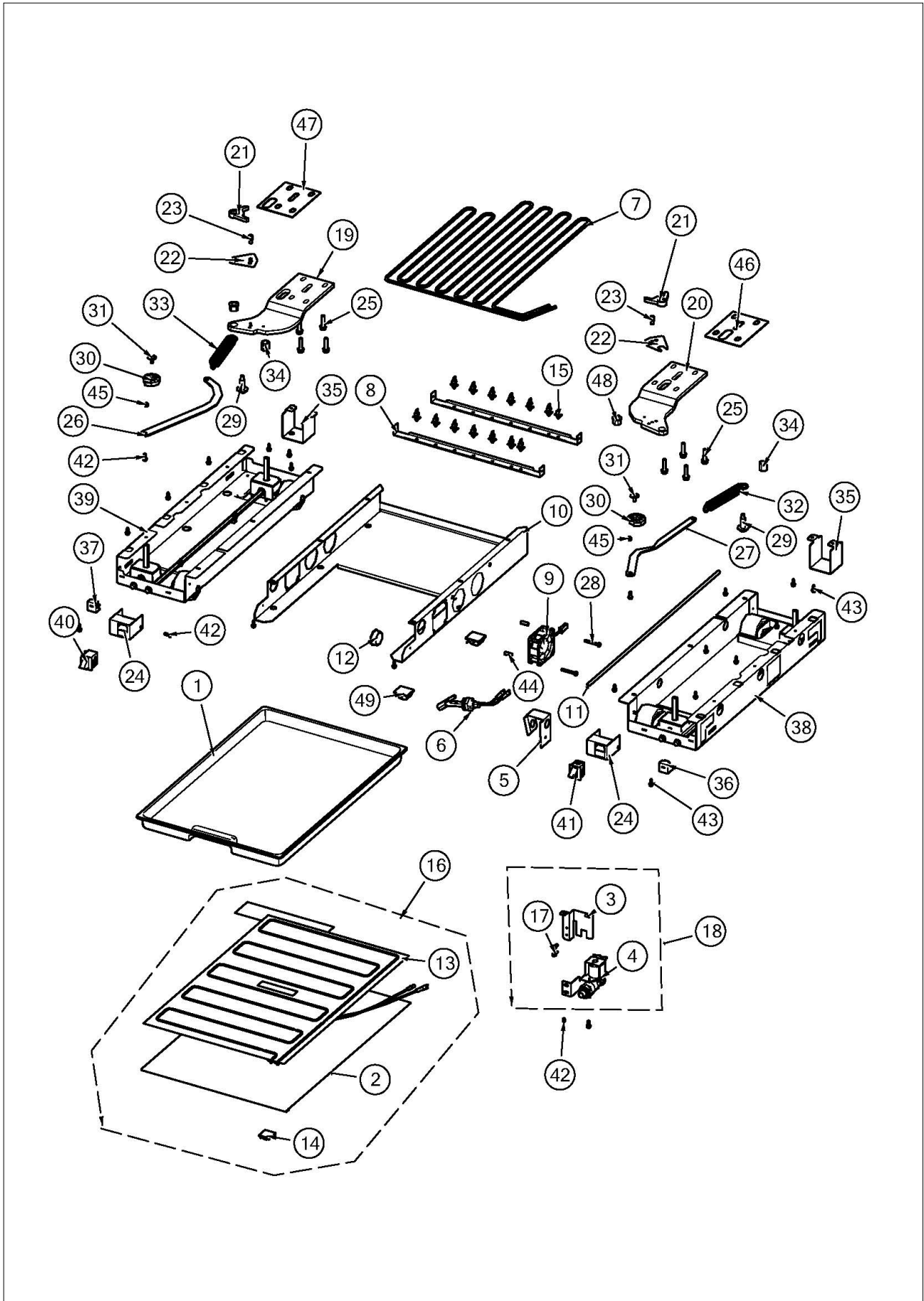


Item	Part No.	Name	Qty	Uom	NOTES
NI	043371-000	HARNESS, MC	1	EA	Not available online / Call for pricing and availability

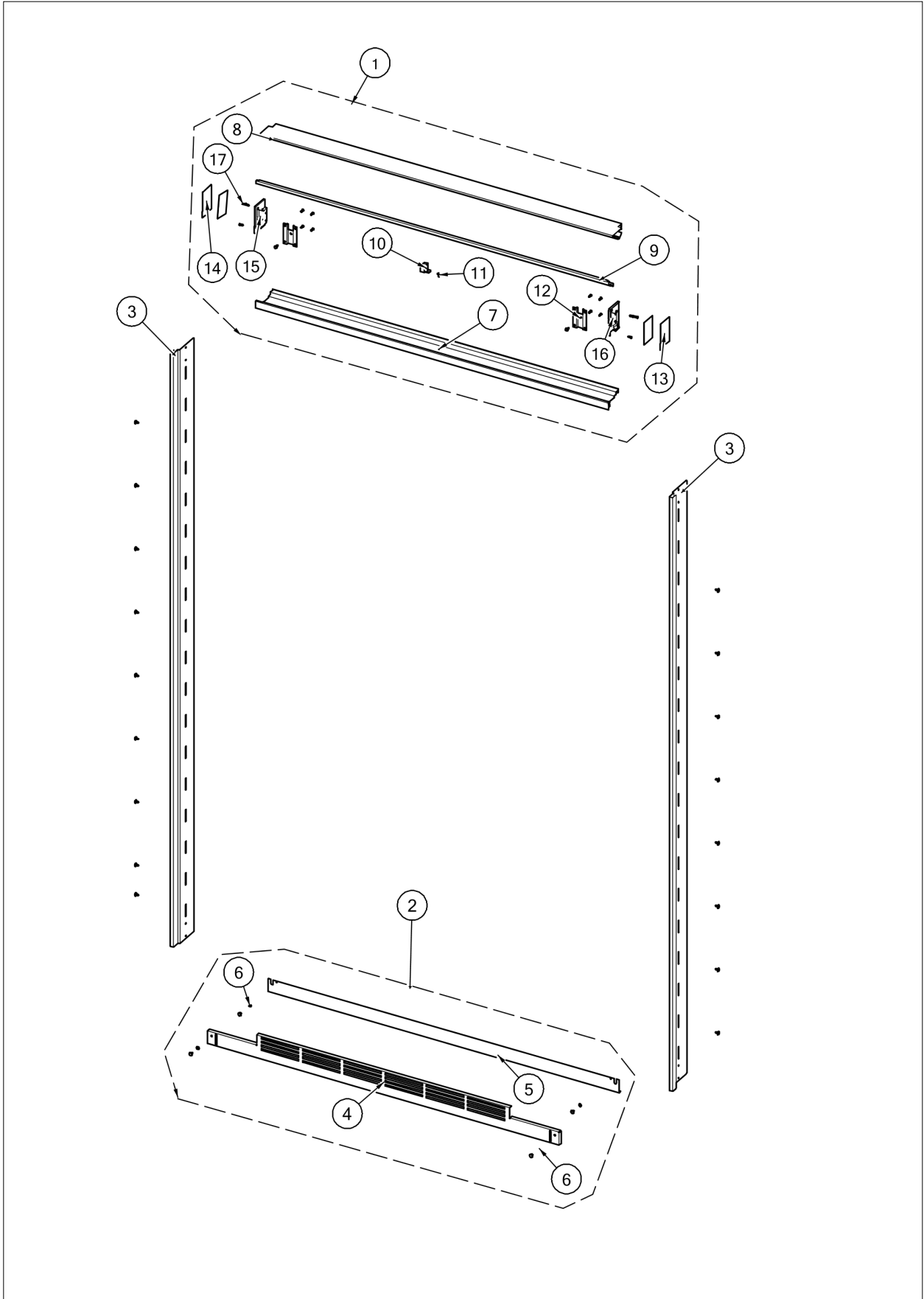
UNIT BOTTOM



Item	Part No.	Name	Qty	Uom	NOTES
1	PK930348	DRAIN PAN	1	EA	
2	L20914124	TRAY PAN HEATER	1	EA	Not available online / Call for pricing and availability
3	K20913788	BRKT VALVE H2O SINGLE	1	EA	
4	PA970012	SINGLE WATER VALVE	1	EA	
5	B20915627	BRACKET HORIZ FLOAT SWITCH	1	EA	
6	PE050248	FLOAT SWITCH HORIZONTAL	1	EA	
7	F20915693	SERPENTINE CONDENSER DRAIN ALL SXS'S	1	EA	
8	K20911831	BRACKET CONDENSATE SUPPORT	2	EA	
9	004551-000	AXIAL FAN	1	EA	
<p>Comments for Part Num. 004551-000</p> <p>gboltz@VikingRange.com on Jul 21, 2016</p> <p>View service bulletin TR-0052-SP before ordering fan, if applicable order kit instead of fan</p>					
10	K20915952	SHIELD BOTTOM DRAIN	1	EA	
11	044034-000	TUBING, ROLL, PEX 1/4"	1	EA	Not available online / Call for pricing and availability
12	A4554817	BUSHING-SNAP VA4554817	1	EA	
13	G50911853	TRAY PAN HEATER	1	EA	
14	M0104106	CLIP-CORD VM0104106	1	EA	
15	PD030146	STAND OFF LOCK CLIP	14	EA	
16	G50911853	TRAY PAN HEATER	1	EA	
17	M0220417	SCREW-TC	2	EA	
18	G32913789	BRKT & VALVE H2O SNGL ASM	1	EA	
19	044046-000	HINGE PLATE, LH, LWR	1	EA	
20	044026-000	HINGE PLATE, RH, LWR	1	EA	
21	044372-000	BUSHING, DOOR STOP	2	EA	
22	044511-000	PLATE, DOOR, SHIM	2	EA	
23	044374-000	PIN, DOOR STOP	2	EA	



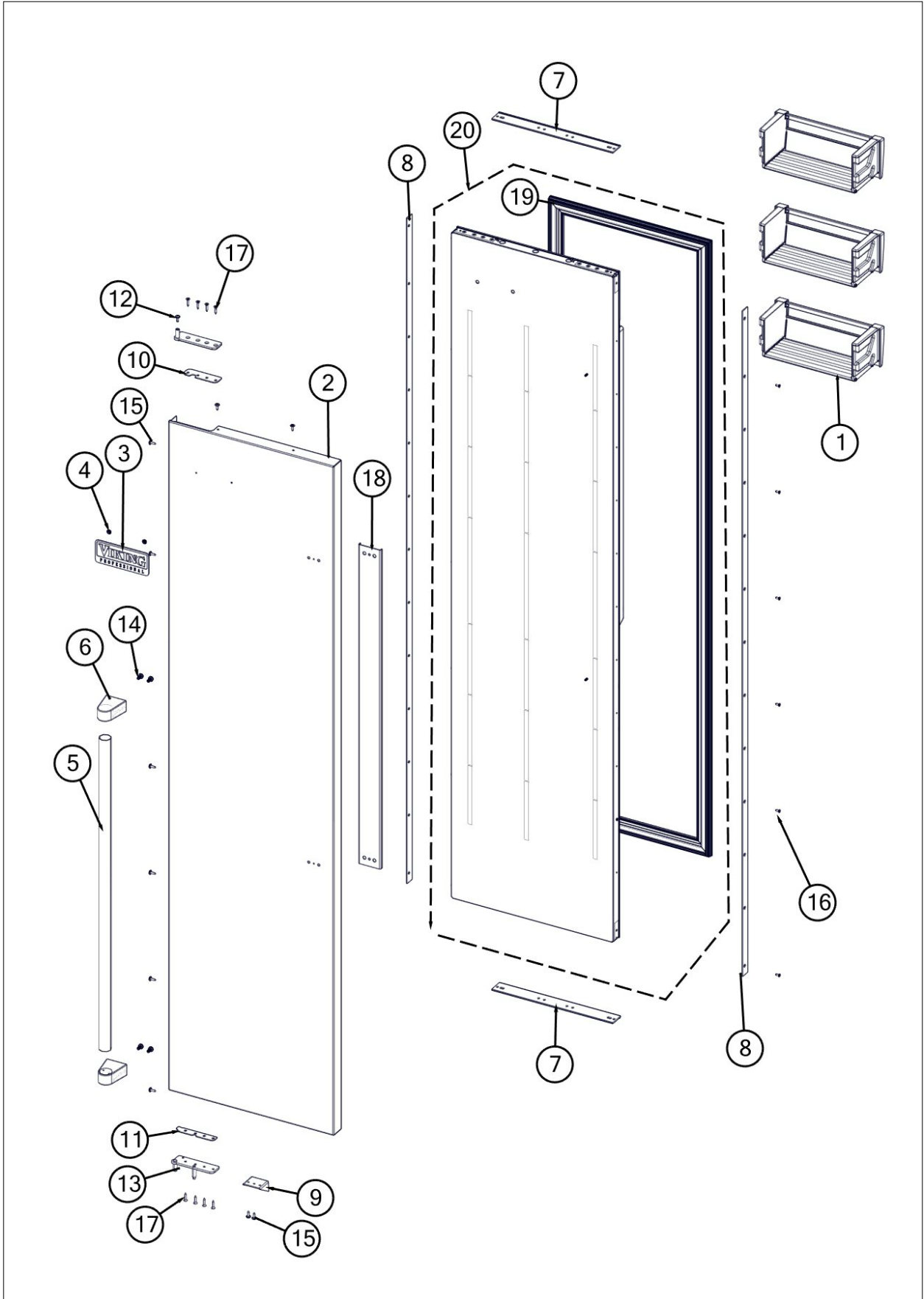
Item	Part No.	Name	Qty	Uom	NOTES
24	044939-000	BRACKET, LT SWITCH	2	EA	Not available online / Call for pricing and availability
25	000570-000	FASTENER, BOLT, 1/4-20 IHXWS 1" S ZN SER	8	EA	
26	043258-000	BAR, BOTTOM HINGE, LH, WC	1	EA	
27	043261-000	BAR, BOTTOM HINGE, RH, WC	1	EA	
28	PD020274	SCR SLTD HEX WSHR HD 8X1.250 BT	2	EA	
29	M0221523	Grommet, Compressor	2	EA	
30	044370-000	CAM DOOR ADJUSTMENT	2	EA	
31	044377-000	WSHR FENDER, .219 X .68 X .030	2	EA	
32	003867-000	SPRING EXTENSION	1	EA	
33	PC910015	EXTENSION SPRING	1	EA	
34	PD940107	ROUND SPRING SPACER	2	EA	
35	053261-000	U CHANNEL	2	EA	Not available online / Call for pricing and availability
36	K2098044	BRKT GRILLE SUPPORT	1	EA	
37	K2098096	BRKT GRILLE SUPPORT	1	EA	
38	060890-000	LEVELER MODULE R	1	EA	
39	060891-000	LEVELER MODULE L	1	EA	
40	046062-000	SWITCH, SPDT GRAY	1	EA	
41	046063-000	SWITCH, SPST NC GRAY	1	EA	
42	M0220417	SCREW-TC	6	EA	
43	PD020194	SCR, HEX SRTD WSHR HD, #8-18 X 1/2	24	EA	
44	011332-000	SPACER,NYL	2	EA	
45	PD940094	BUSHING	2	EA	
46	000537-000	SPACER BOTTOM HINGE LR	1	EA	
47	000538-000	SPACER BOTTOM HINGE LL	1	EA	
48	044373-000	BUSHING, DOOR LEVEL	2	EA	
49	M0104102	CLIP-CORD RED	2	EA	
NI	PM010555	VALVE CONNECTION BAG ASM	1	EA	



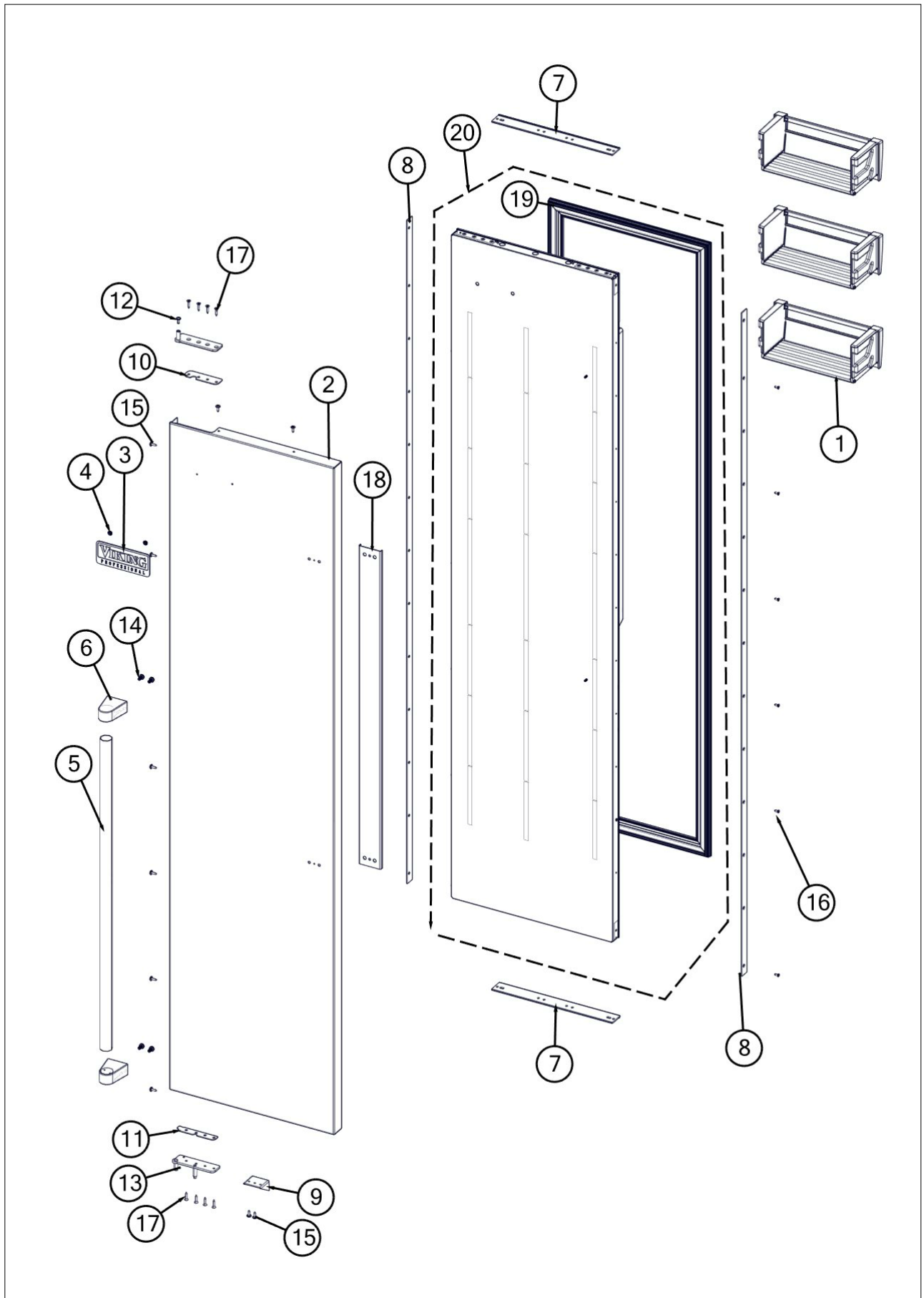


Item	Part No.	Name	Qty	Uom	NOTES
1	053428-000	GRILLE, ASM, 48 SXS, PRO	1	EA	
2	045013-000	GRILLE, TOE, ASM, 48 SXS	1	EA	
3	053836-000	TRIM, SXS, DEEPER	2	EA	
4	045011-000	VENT, TOE, GRILLE, 48 SXS	1	EA	
5	045012-000	SOLID, TOE, GRILLE, 48 SXS	1	EA	
6	40370P01	NYLON FLAT WASHER V40370P01	4	EA	
7	016194-000	GRILLE LOWER SXS 48 DES	1	EA	
8	016197-000	GRILLE UPPER SXS 48 DES	1	EA	
9	052891-000	LOUVER, CTR, 48	1	EA	
10	PM910084	SUPPORT GRILLE 12201201	1	EA	
11	M0230028	SCREW-TC	1	EA	
12	PK050004	BRACKET GRILLE	2	EA	
13	033729-000	ENDCAP, GRILLE, R, HINGE	1	EA	
14	033709-000	ENDCAP, GRILLE, L, HINGE	1	EA	
15	PM910349	END CAP GRILLE L	1	EA	
16	PM910348	ENP CAP GRILLE R	1	EA	
17	003004-000	8 - 18 X 1/2 ZN/CLR PHIL FLAT TRIM HD NO.5 TYPE AB TAPPING SCREW	14	EA	
21	PD020032	SRW-8(A)X3/8PH.WFR HD 7/16DIA NICL	18	EA	

FREEZER DOOR



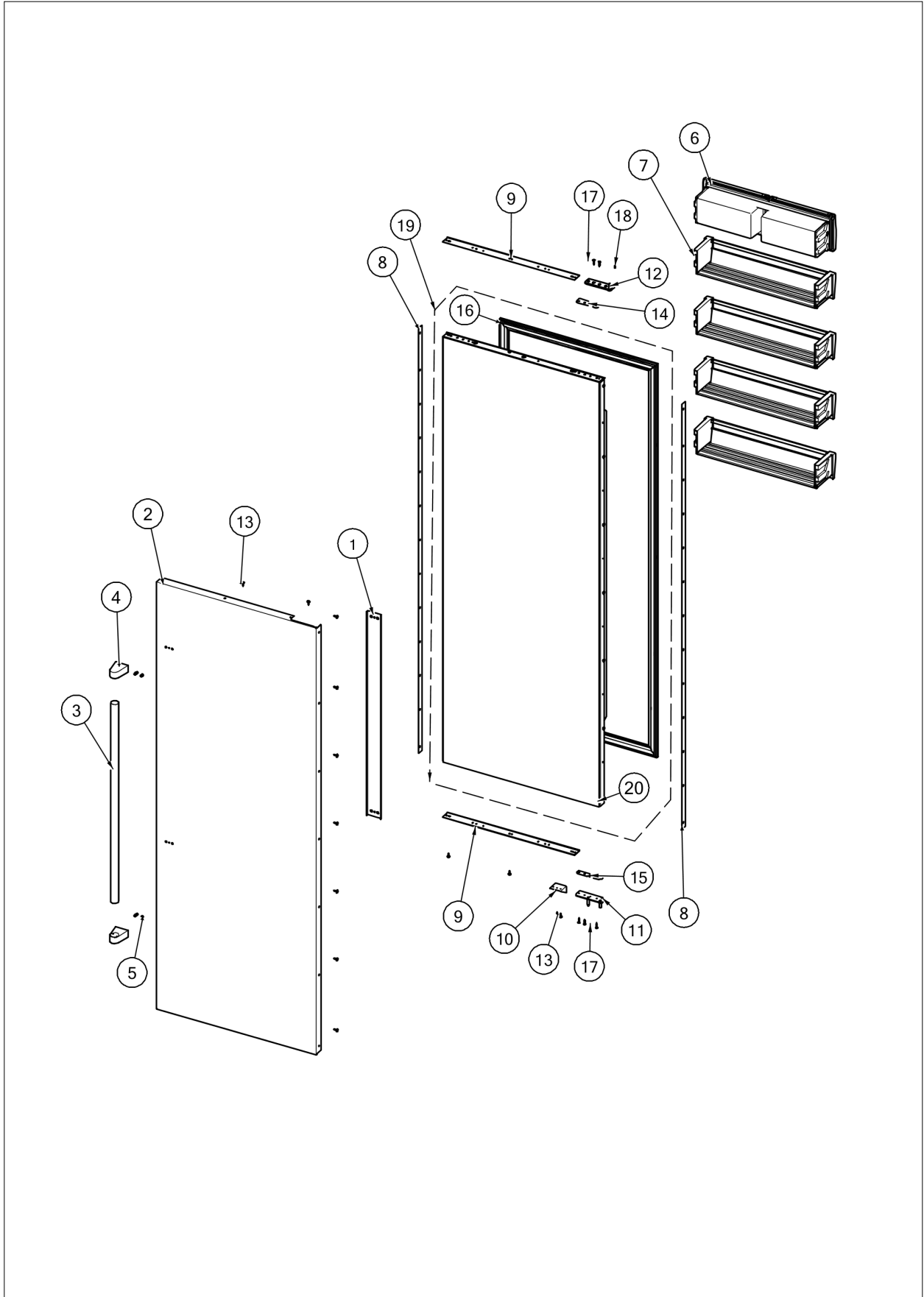
Item	Part No.	Name	Qty	Uom	NOTES
1	036888-000	Door Shelf Assembly	3	EA	
2	044036-000	SKIN, DOOR, SXS 48 PRO FZ SS	1	EA	
2	054698-002	SKIN, DOOR, SXS 48 PRO FZ BK	1	EA	
2	054698-005	SKIN, DOOR, SXS 48 PRO FZ GG	1	EA	Not available online / Call for pricing and availability
2	054698-008	SKIN, DOOR, SXS 48 PRO FZ BU	1	EA	Not available online / Call for pricing and availability
2	054698-013	SKIN, DOOR, SXS 48 PRO FZ CB	1	EA	
2	054698-024	SKIN, DOOR, SXS 48 PRO FZ AR	1	EA	Not available online / Call for pricing and availability
2	054698-006	SKIN, DOOR, SXS 48 PRO FZ WH	1	EA	Not available online / Call for pricing and availability
3	PE010030	LOGO 6" (VGRC) *BK*	1	EA	
4	PD030006	CAPPED WASHER PAL NUT	2	EA	
5	030894-000	HANDLE, DOOR 36 BRIGADE	1	EA	
6	026965-000	END CAP, ASM, DOOR HANDLE	2	EA	
7	056842-000	TRIM, FRZ, TOP/BTM, 48	2	EA	
8	014581-000	SPACER,TRIM,SXS,AF,AR	2	EA	
9	044314-000	STRIKER, DOOR SWITCH	1	EA	
10	044859-000	SPACER 4-HOLE, SILVER POWDER COATED	1	EA	
11	PD040162	SPACER-DOOR HINGE	1	EA	
12	PD020234	SCREW THP 10-32 X .500 SS BO	1	EA	
13	044344-000	PIVOT PL ASM LH LW PRO/DES	1	EA	
14	035647-000	FASTENER, BOLT, HXH, SST	4	EA	
15	M0210458	Screw, SM	11	EA	
16	M0215318	SCREW-SM	7	EA	
17	PD920174	10X7/8 PHILLIPS SMA TRI LOBE SA	8	EA	



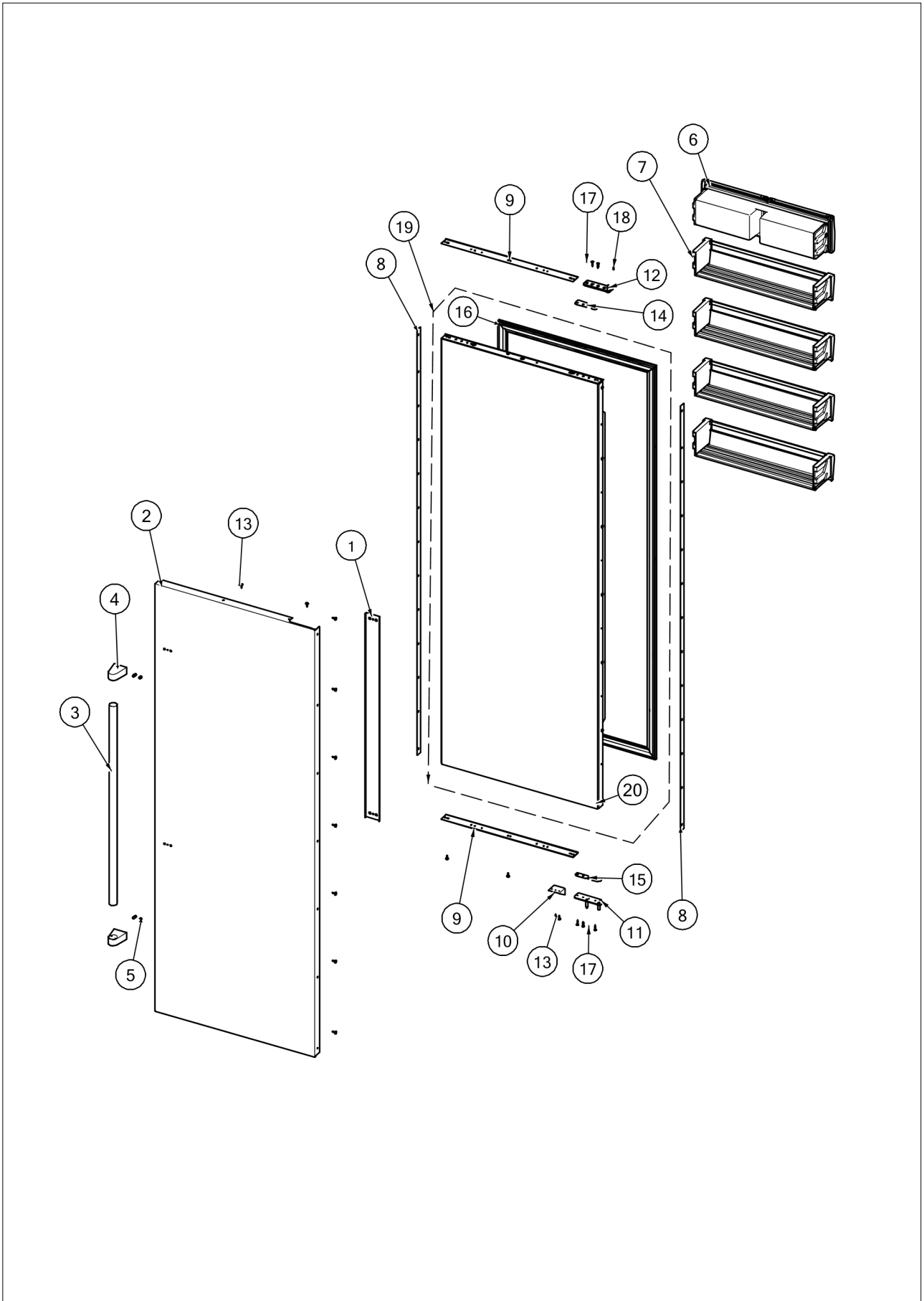


Item	Part No.	Name	Qty	Uom	NOTES
18	042374-000	BRACKET, HANDLE SUPPORT	1	EA	Not available online / Call for pricing and availability
19	005455-000	GASKET,ASM,48,SXS,FZ VID# 602711917-17	1	EA	
20	052763-000	DOOR ASM 48 FZ	1	EA	

FRESH FOOD DOOR



Item	Part No.	Name	Qty	Uom	NOTES
1	042374-000	BRACKET, HANDLE SUPPORT	1	EA	Not available online / Call for pricing and availability
2	044037-000	SKIN, DOOR, SXS 48 PRO FF SS	1	EA	
2	054695-002	SKIN, DOOR, SXS 48 PRO FF BK	1	EA	
2	054695-005	SKIN, DOOR, SXS 48 PRO FF GG	1	EA	Not available online / Call for pricing and availability
2	054695-008	SKIN, DOOR, SXS 48 PRO FF BU	1	EA	Not available online / Call for pricing and availability
2	054695-013	SKIN, DOOR, SXS 48 PRO FF CB	1	EA	Not available online / Call for pricing and availability
2	054695-024	SKIN, DOOR, SXS 48 PRO FF AR	1	EA	Not available online / Call for pricing and availability
2	054695-006	SKIN, DOOR, SXS 48 PRO FF WH	1	EA	Not available online / Call for pricing and availability
3	030894-000	HANDLE, DOOR 36 BRIGADE	1	EA	
4	026965-000	END CAP, ASM, DOOR HANDLE	2	EA	
5	035647-000	FASTENER, BOLT, HXH, SST	4	EA	
6	V12203602	DAIRY MODULE ASSY #	1	Wholesale Price	
7	036886-000	DOORBIN ASM SXS 48 FF	4	EA	
8	014581-000	SPACER, TRIM, SXS, AF, AR	2	EA	
9	056841-000	TRIM, FF, TOP/BTM, 48	2	EA	
10	044314-000	STRIKER, DOOR SWITCH	1	EA	
11	044063-000	PIVOT PL ASM RH LW PRO/DES	1	EA	
12	044361-000	UPPER PIVOT PLATE ASM, RH, SXS, AF/AR	1	EA	
13	M0210458	Screw, SM	14	EA	
14	044859-000	SPACER 4-HOLE, SILVER POWDER COATED	1	EA	
15	PD040162	SPACER-DOOR HINGE	1	EA	







Item	Part No.	Name	Qty	Uom	NOTES
16	005454-000	GASKET,ASM,48,SXS,FF VID# 602711907-17	1	EA	
17	PD920174	10X7/8 PHILLIPS SMA TRI LOBE SA	8	EA	
18	PD020234	SCREW THP 10-32 X .500 SS BO	1	EA	
19	052761-000	DOOR ASM 48 FF	1	EA	
20	052655-000	DOOR FOAM ASM SXS 48 FF	1	EA	Not available online / Call for pricing and availability



Appendix A:Pages Index

CONTROL ..... 1  
DECOR ..... 6  
FREEZER DOOR ..... 7  
FREEZER INTERIOR ..... 2  
FRESH FOOD DOOR ..... 8  
FRESH FOOD INTERIOR ..... 3  
UNIT BOTTOM ..... 5  
UNIT TOP ..... 4



Appendix B:Parts Index

000537-000	5	043261-000	5
000538-000	5	043371-000	4
000570-000	4, 5	044026-000	5
002329-000	2	044034-000	5
003004-000	6	044036-000	7
003867-000	5	044037-000	8
004551-000	5	044046-000	5
005319-000	1	044063-000	8
005396-000	1	044314-000	7, 8
005454-000	8	044344-000	7
005455-000	7	044358-000	4
007082-000	2	044359-000	4
007301-000	3	044361-000	8
011059-000	3	044370-000	5
011332-000	5	044372-000	5
012259-000	3	044373-000	5
013397-000	3	044374-000	5
014190-000	4	044377-000	5
014519-000	4	044479-000	1
014581-000	7, 8	044511-000	5
016194-000	6	044694-000	2, 3
016197-000	6	044859-000	7, 8
016593-000	1	044939-000	5
016930-000	1	045011-000	6
020467-000	3	045012-000	6
023112-000	2	045013-000	6
025433-000	1	045819-000	3
026965-000	7, 8	046062-000	5
030894-000	7, 8	046063-000	5
033709-000	6	046358-000	2, 3
033729-000	6	046385-000	1
035647-000	7, 8	046386-000	1
036886-000	8	047016-000	1
036888-000	7	048643-000	1
042374-000	7, 8	048680-000	1
042675-000	3	050903-000	4
042764-000	2	050926-000	4
042766-000	2	052655-000	8
043156-000	2	052700-000	4
043258-000	5	052761-000	8
		052763-000	7



052891-000	6	10916507	4
053004-000	3	12064001	1
053183-000	3	12102501	2
053191-000	2	12231701	2
053200-000	2	12258501	2
053248-000	3	12304301	2
053258-000	2, 3	40370P01	6
053261-000	5	A3030303	2
053283-000	2	A3030361	1, 2
053302-000	3	A3189348	2
053308-000	2	A3189370	1, 2, 4
053428-000	6	A4554817	1, 5
053836-000	6	B20915627	5
054407-000	4	C2097183	2
054453-000	2	C8983701	2, 3
054569-000	1	F20915693	5
054695-002	8	F2096504	4
054695-005	8	F2096507	4
054695-006	8	F2097740	4
054695-008	8	G32911938	3
054695-013	8	G32913789	5
054695-024	8	G50910020	2
054698-002	7	G50911853	5, 5
054698-005	7	G5098660	2
054698-006	7	K20911831	5
054698-008	7	K20913788	5
054698-013	7	K20915000	1
054698-024	7	K20915952	5
056841-000	8	K2096456	2
056842-000	7	K2096457	2
057309-000	1	K2096458	2
057350-000	2	K2096943	4
057731-000	2	K2098044	5
058966-000	2	K2098096	5
060890-000	5	K2099454	4
060891-000	5	L20914124	5
062775-000	4	L2097181	2
10526701	2	M0104102	5
10547001	4	M0104106	4, 5
10629001	2	M0210458	7, 8
10699601	4	M0211021	2



M0215318	2, 3, 7	PK930079	2
M0220417	5, 5	PK930150	2
M0221523	5	PK930348	5
M0230028	6	PM010555	5
M0238535	2	PM010616	4
M0238859	1, 2	PM910084	6
M0253916	2	PM910190	2
M0321209	2	PM910348	6
M0322202	4	PM910349	6
M0581001	2, 2	PM910411	2
M0585504	1	V12203602	8
PA970012	5		
PB920171	4		
PB970187	4		
PB970188	4		
PC910015	5		
PD020032	6		
PD020193	1		
PD020194	1, 2, 4, 5		
PD020195	2		
PD020234	7, 8		
PD020274	5		
PD030006	7		
PD030118	4		
PD030146	5		
PD030155	2		
PD040162	7, 8		
PD920174	7, 8		
PD940094	5		
PD940107	5		
PE010030	7		
PE050248	5		
PE950149	4		
PE970464	1		
PE970609	1		
PJ910031	2		
PK050004	6		
PK930073	2		
PK930074	2		
PK930075	2		
PK930076	2		