

This Owner's Manual is provided and hosted by [Appliance Factory Parts](http://www.appliancefactoryparts.com).



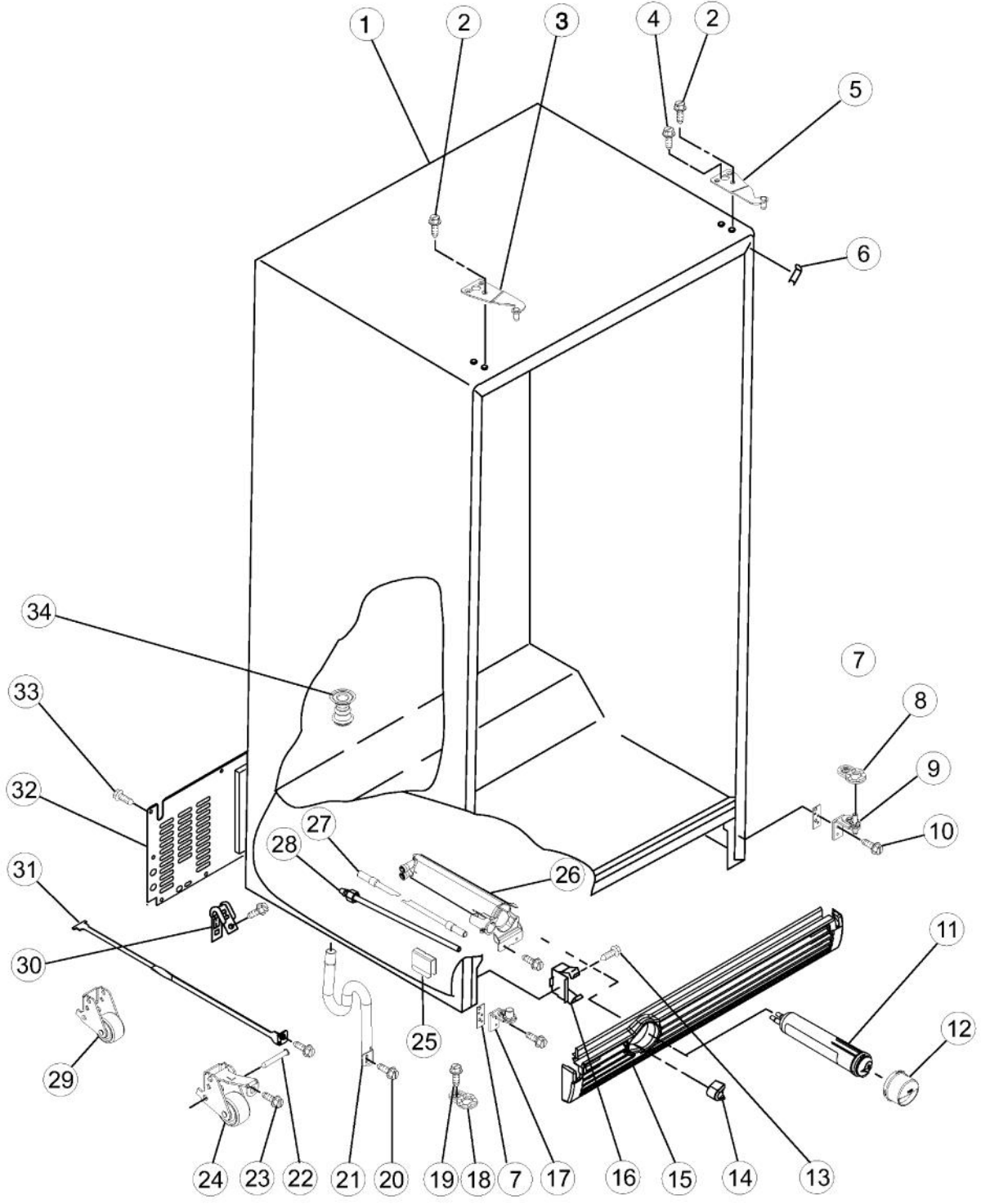
VIKING VCSF136DSS00 Owner's Manual

[Shop genuine replacement parts for VIKING
VCSF136DSS00](#)

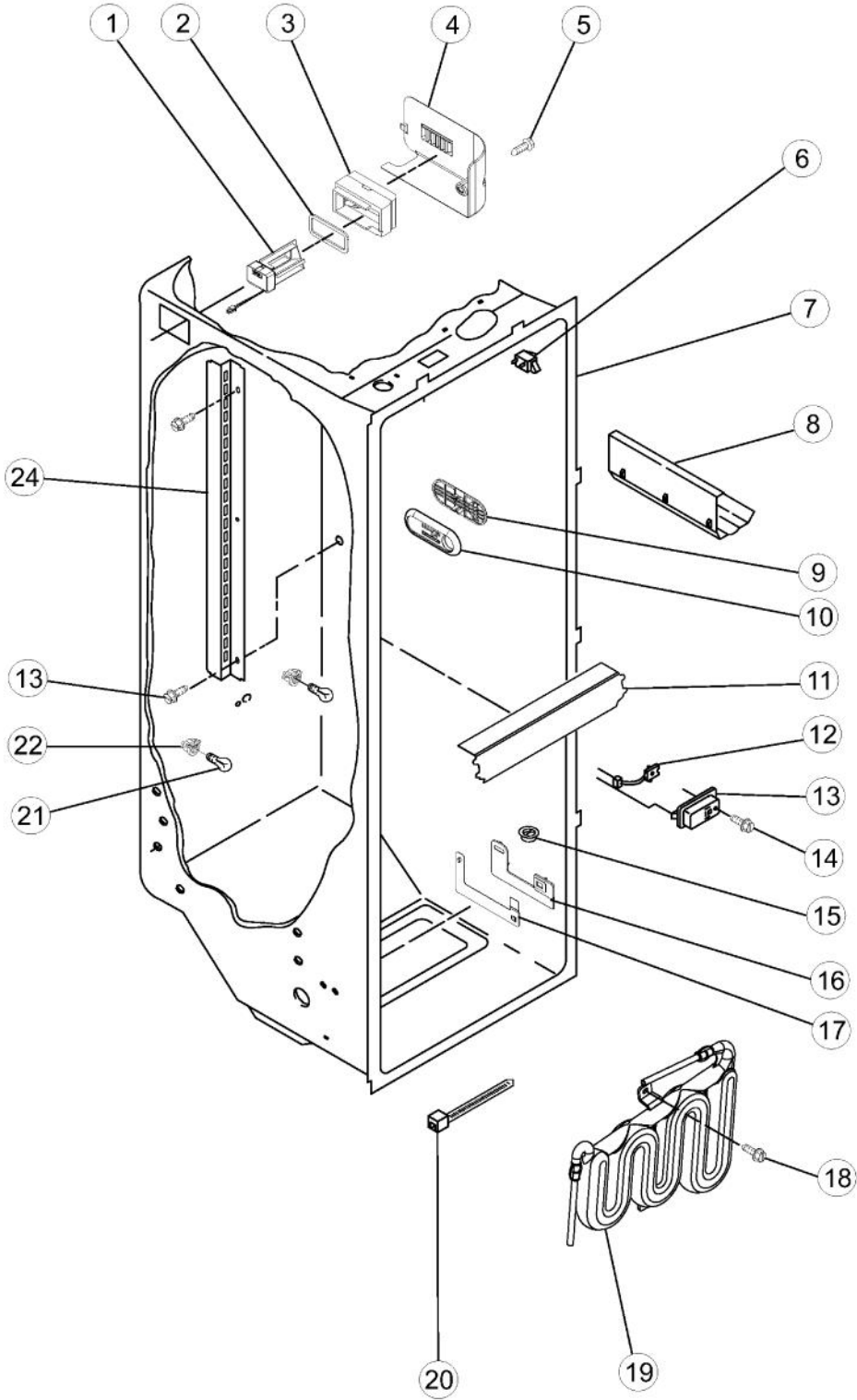


[Find Your VIKING Refrigerator Parts - Select From 341 Models](#)

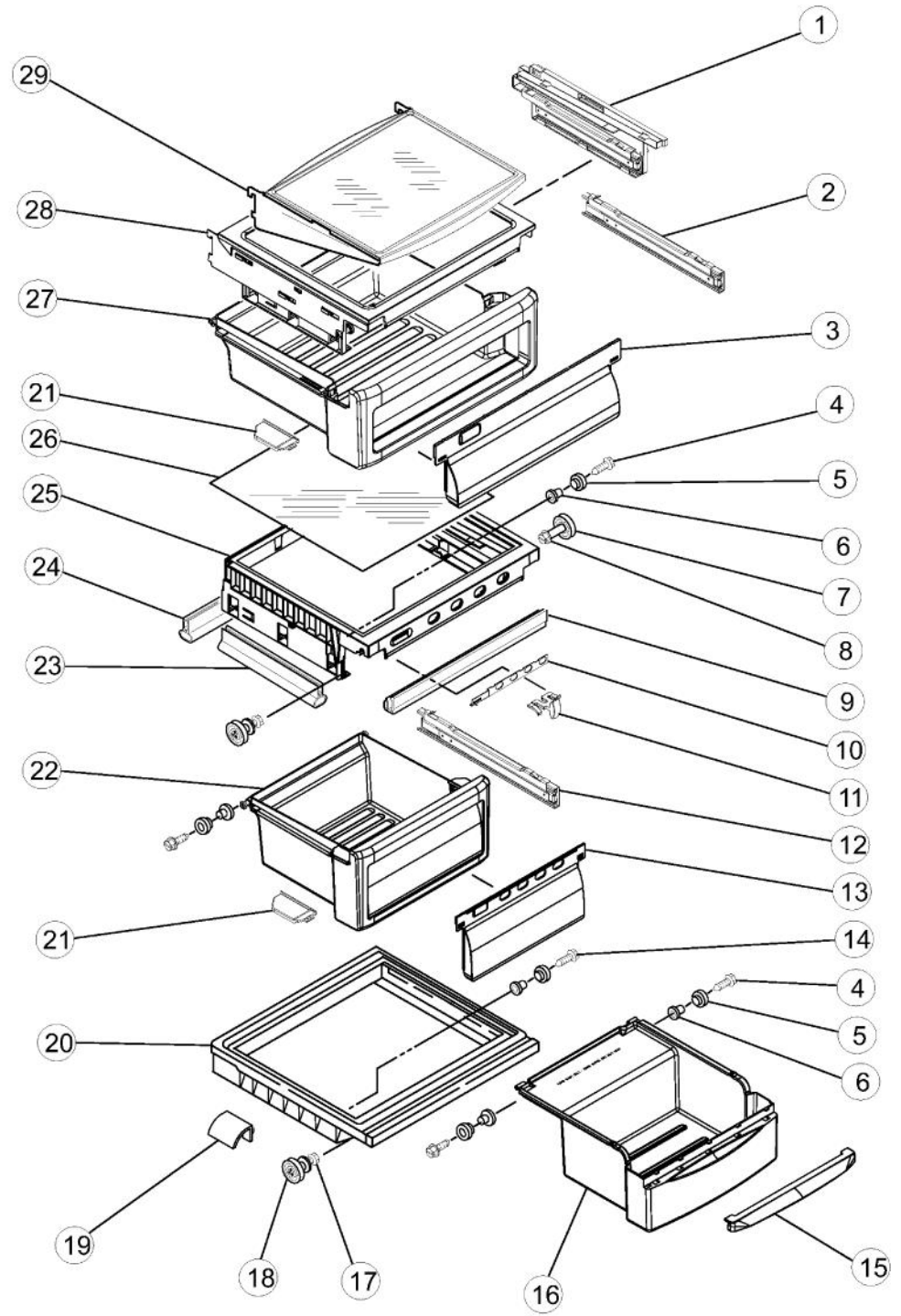
----- Manual continues below -----



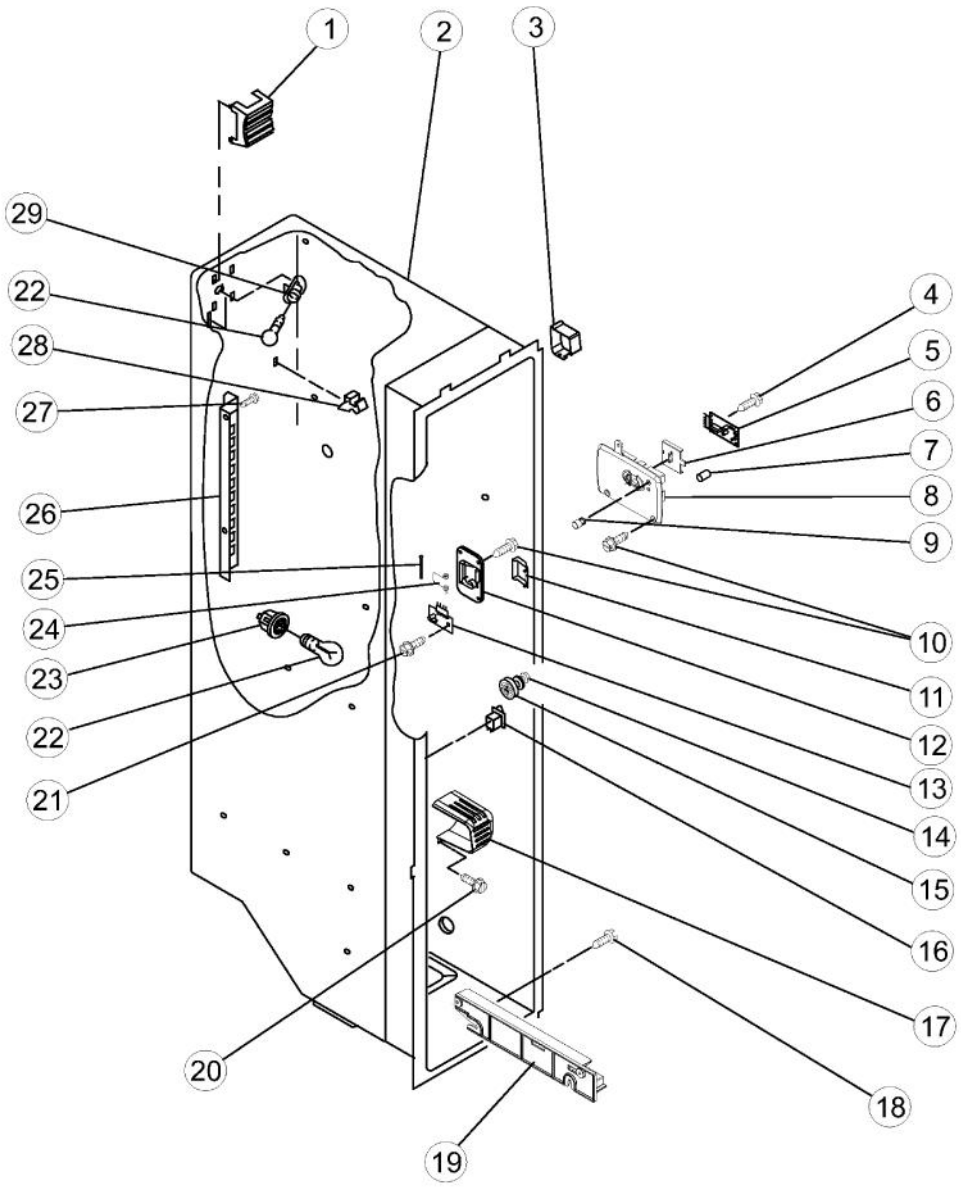
Ref #	Part Number	Qty.	Description
1	UNSERVICEABLE	1	OVEN CAVITY, ASM 36
2	021594-000	1	SCREW
3	021574-000	1	HINGE, TOP FC - APOLLO GRAY
4	021646-000	1	REAR FOAM 36 AF AR BTM 34 W
5	021575-000	1	HINGE TOP, RC - APOLLO GRAY
6	021484-000	1	FILLER, WRAPPER - APOLLO GRAY
7	021468-000	1	SHIM
8	021536-000	1	DOOR CLOSER (RC)
9	021540-000	1	HINGE ASSEMBLY, BOTTOM - RC
10	021588-000	1	SCREW
11	021373-000	1	WATER FILTER
12	021572-000	1	CAP, WATER FILTER - BLACK
13	021597-000	2	SCREW
14	021573-000	1	BUTTON, WATER FILLER - BLACK
15	021620-000	1	GRILLE, BLACK
16	021393-000	1	CLIP, GRILLE
17	021539-000	1	HINGE ASSEMBLY, BOTTOM - FC
18	021537-000	1	DOOR CLOSER (FC)
19	021592-000	1	SCREW
20	021577-000	1	SCREW
21	021492-000	1	TUBE, EXTENSION
22	021642-000	4	PIN, ROLLER
23	021587-000	2	SCREW
24	021622-000	1	ROLLER ASSY., FRONT LEFT
25	021457-000	4	CLIP, RETAINER
26	021579-000	1	HOUSING, WATER FILLER
27	021553-000	1	TUBE, FILLER INLET
28	021486-000	1	TUBE, FILLER OUTLET
29	021604-000	2	ROLLER, REAR
30	021383-000	1	CLAMP, SERVICE CORD
31	021624-000	1	STRAP, ROLLER
32	021462-000	1	COVER, UNIT
33	021375-000	1	SCREW
34	021529-000	1	DRAIN, FITTING
NI	021623-000	1	ROLLER ASSY., FRONT RIGHT



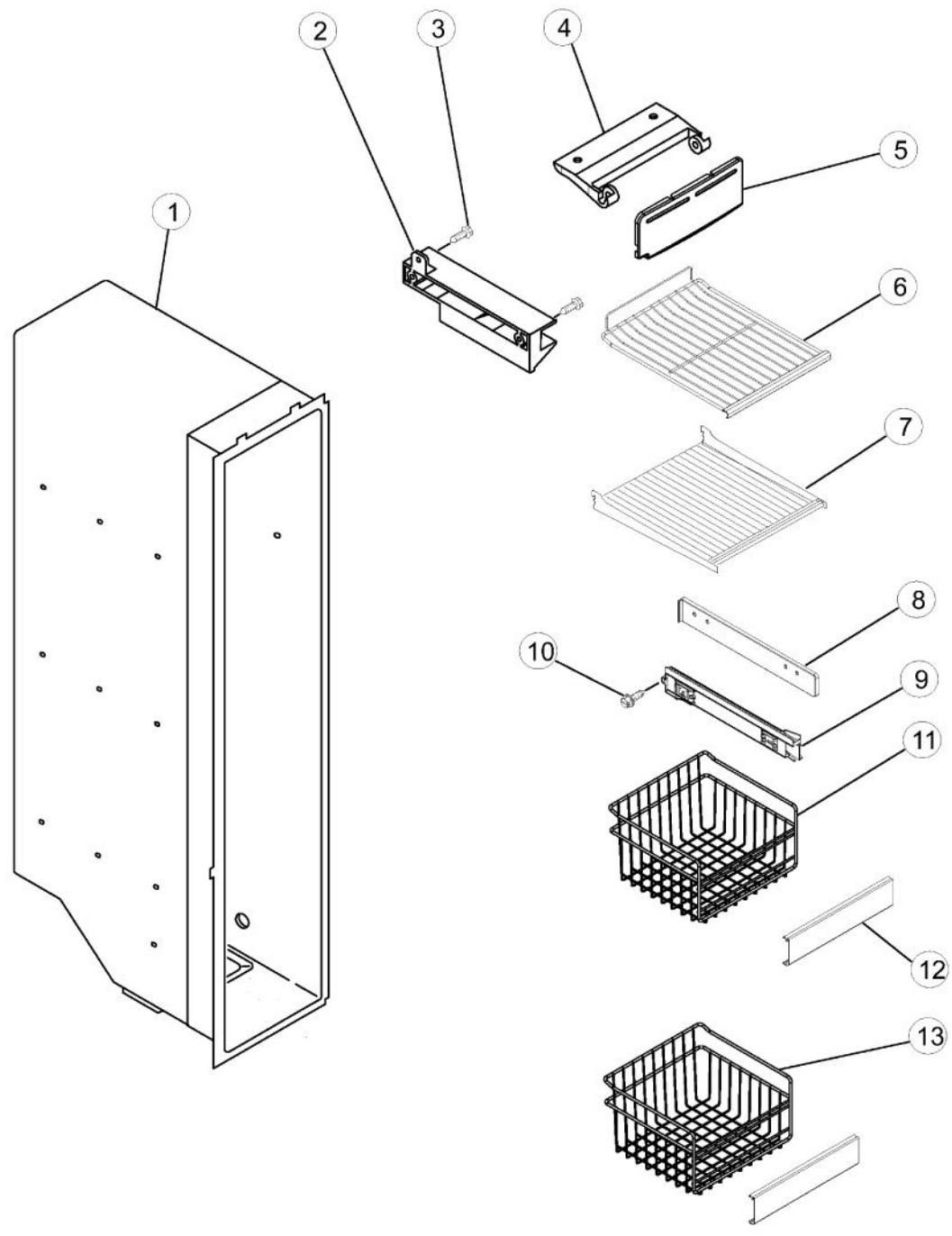
Ref #	Part Number	Qty.	Description
1	021451-000	1	AIR BAFFLE
2	021527-000	1	GASKET, AIR BAFFLE
3	021490-000	1	AIR DIFFUSER ASSEMBLY
4	021461-000	1	COVER, AIR BAFFLE
5	021375-000	1	SCREW
6	PR110008	1	SWITCH, ROCKER ARM
7	UNSERVICEABLE	1	OVEN CAVITY, ASM 36
8	021405-000	1	RACK, WINE & EGG
9	021634-000	1	SLIDE, DOOR CONTROL
10	021512-000	1	HOUSING, DOOR CONTROL
11	021470-000	1	LIGHT LENS
12	021413-000	1	THERMISTOR
13	021544-000	1	COVER, THERMISTOR
14	021646-000	1	REAR FOAM 36 AF AR BTM 34 W
15	021403-000	1	COVER, CORNER, APOLLO GREY
16	021467-000	1	ESCUTCHEON, MEAT PAN CONTROL
17	021455-000	1	SLIDE MEAT PAN CONTROL
18	021374-000	1	SCREW
19	021538-000	1	RESERVOIR
20	021444-000	1	STRAP
21	021621-000	1	LIGHT BULB
22	021400-000	1	SOCKET
24	021552-000	2	LADDER, SHELF



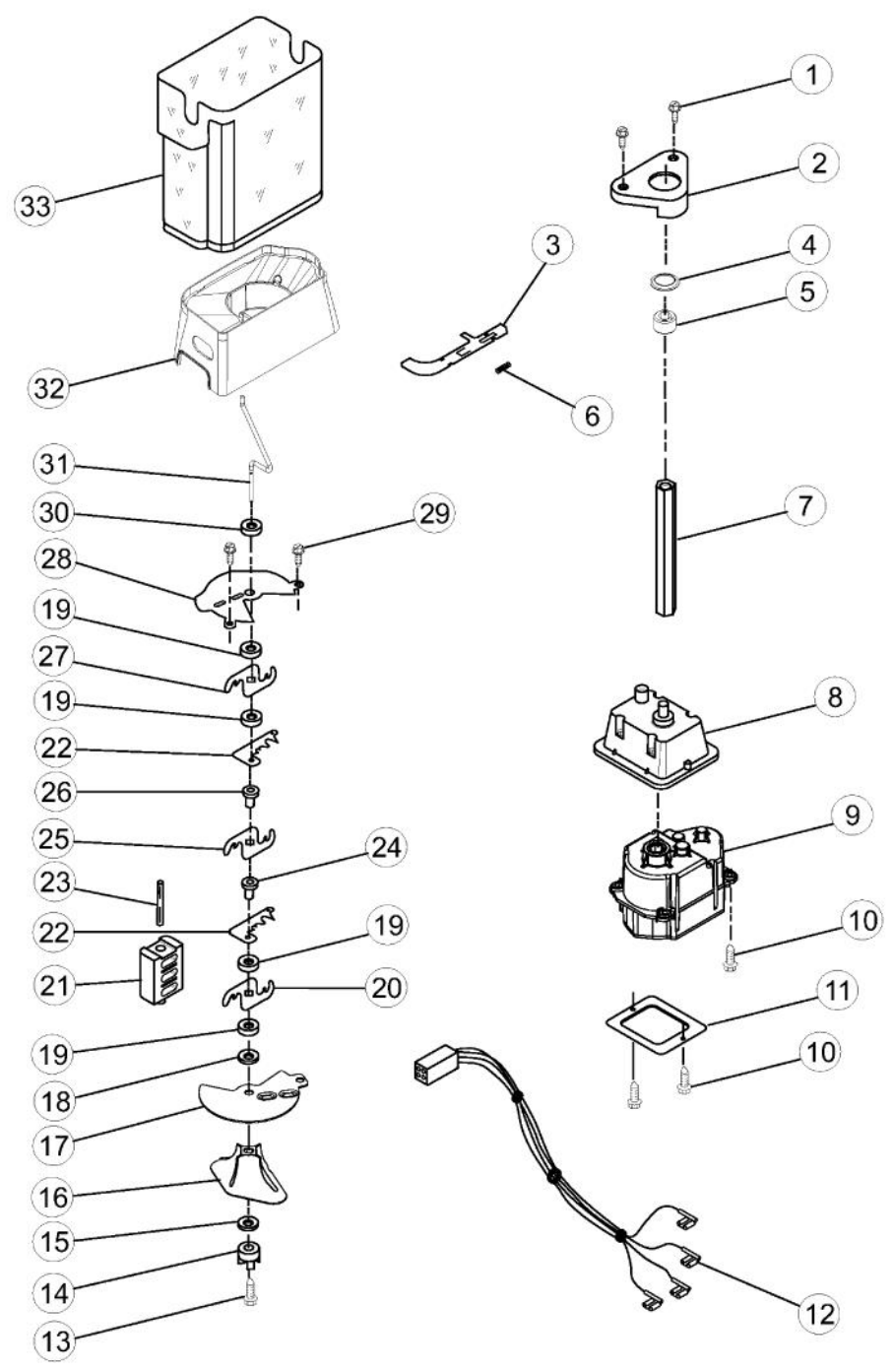
Ref #	Part Number	Qty.	Description
1	021519-000	1	SUPPORT ASSEMBLY, RIGHT SIDE
1	021520-000	1	SUPPORT ASSEMBLY, LEFT SIDE
2	021517-000	1	GLIDE ASSEMBLY, RIGHT SIDE
2	021518-000	1	GLIDE ASSEMBLY, LEFT SIDE
3	021503-000	1	WINDOW, SNACK PAN
4	021380-000	1	SCREW
5	021412-000	1	ROLLER
6	PR140010	1	EYELET, ROLLER
7	021603-000	1	STUD ASSEMBLY
8	021612-000	1	SCREW
9	021510-000	1	GASKET (FRONT)
10	021507-000	1	SLIDE, HUMIDITY
11	021506-000	1	BUTTON, HUMIDITY
12	021515-000	1	GLIDE ASSEMBLY, CRISPER PAN RIGHT SIDE
12	021516-000	1	GLIDE ASSEMBLY, CRISPER PAN LEFT SIDE
13	021502-000	1	WINDOW, CRISPER PAN
14	021376-000	1	SCREW
15	021439-000	1	HANDLE
16	021639-000	1	MEAT PAN
17	021613-000	1	SCREW
18	021602-000	1	STUD ASSEMBLY
19	021464-000	1	DEFLECTOR
20	021438-000	1	COVER, MEAT PAN
21	021504-000	1	CAP, SNACK PAN, RIGHT SIDE
21	021505-000	1	CAP, SNACK PAN, LEFT SIDE
22	021636-000	1	CRISPER PAN
23	021511-000	2	GASKET, SIDE
24	021509-000	1	GASKET (REAR)
25	021635-000	1	COVER, CRISPER
26	021508-000	1	GLASS, COVER
27	021638-000	1	SNACK PAN
28	021637-000	1	SHELF, SNACK PAN
29	021641-000	2	SHELF ASSEMBLY, CANTILEVER
NI	039197-000	1	MEAT PAN CLEAR FLIP ADVISOR



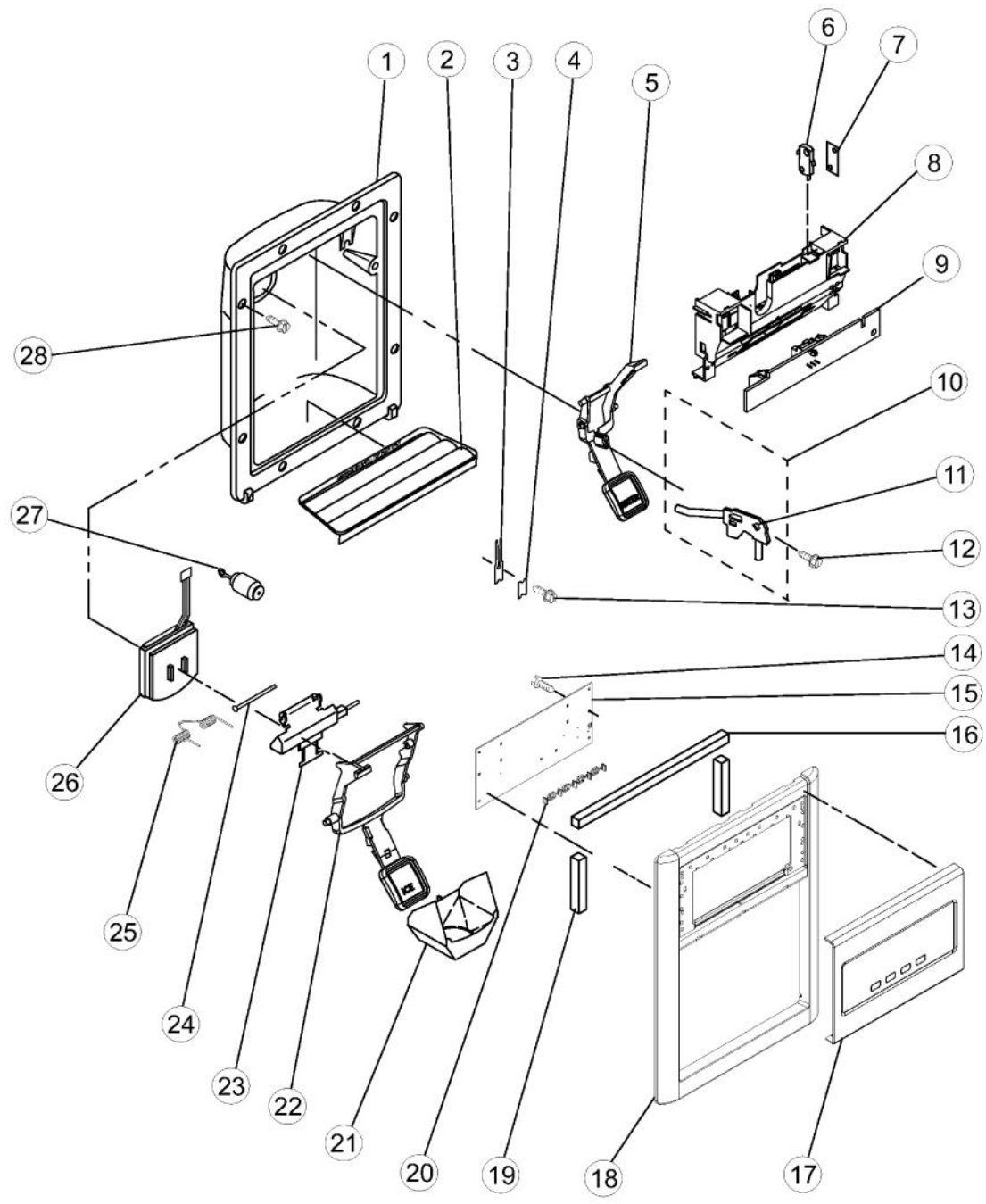
Ref #	Part Number	Qty.	Description
1	021425-000	1	LIGHT SHIELD
2	UNSERVICEABLE	1	OVEN CAVITY, ASM 36
3	021522-000	1	SHIELD, WIRING
4	021377-000	1	SCREW
5	021617-000	1	P.C. BOARD, RECEIVER
6	021542-000	1	SLIDE, ICE MAKER SHUT OFF
7	021437-000	1	TUBE, P.C. BOARD
8	021605-000	1	COVER, RECEIVER
9	021435-000	1	LENS
10	021566-000	1	SCREW
11	021431-000	1	FLIPPER
12	021501-000	1	COVER, EMITTER
13	021618-000	1	P.C. BOARD EMITTER
14	021612-000	1	SCREW
15	021603-000	1	STUD ASSEMBLY
16	021390-000	1	SWITCH, ROCKER ARM
17	021449-000	1	LIGHT LENS
18	021382-000	2	SCREW
19	021476-000	1	SHELF TRACK, RIGHT SIDE
19	021477-000	1	SHELF TRACK, LEFT SIDE
20	021594-000	1	SCREW
21	021377-000	1	SCREW
22	021621-000	2	LIGHT BULB
23	021395-000	1	SOCKET, LIGHT
24	021433-000	1	SPRING
25	021432-000	1	PIN
26	021428-000	1	LADDER, LEFT SIDE
26	021429-000	1	LADDER, RIGHT SIDE
27	021646-000	6	REAR FOAM 36 AF AR BTM 34 W
28	021388-000	1	CLIP, AIR DUCT
29	021400-000	1	SOCKET



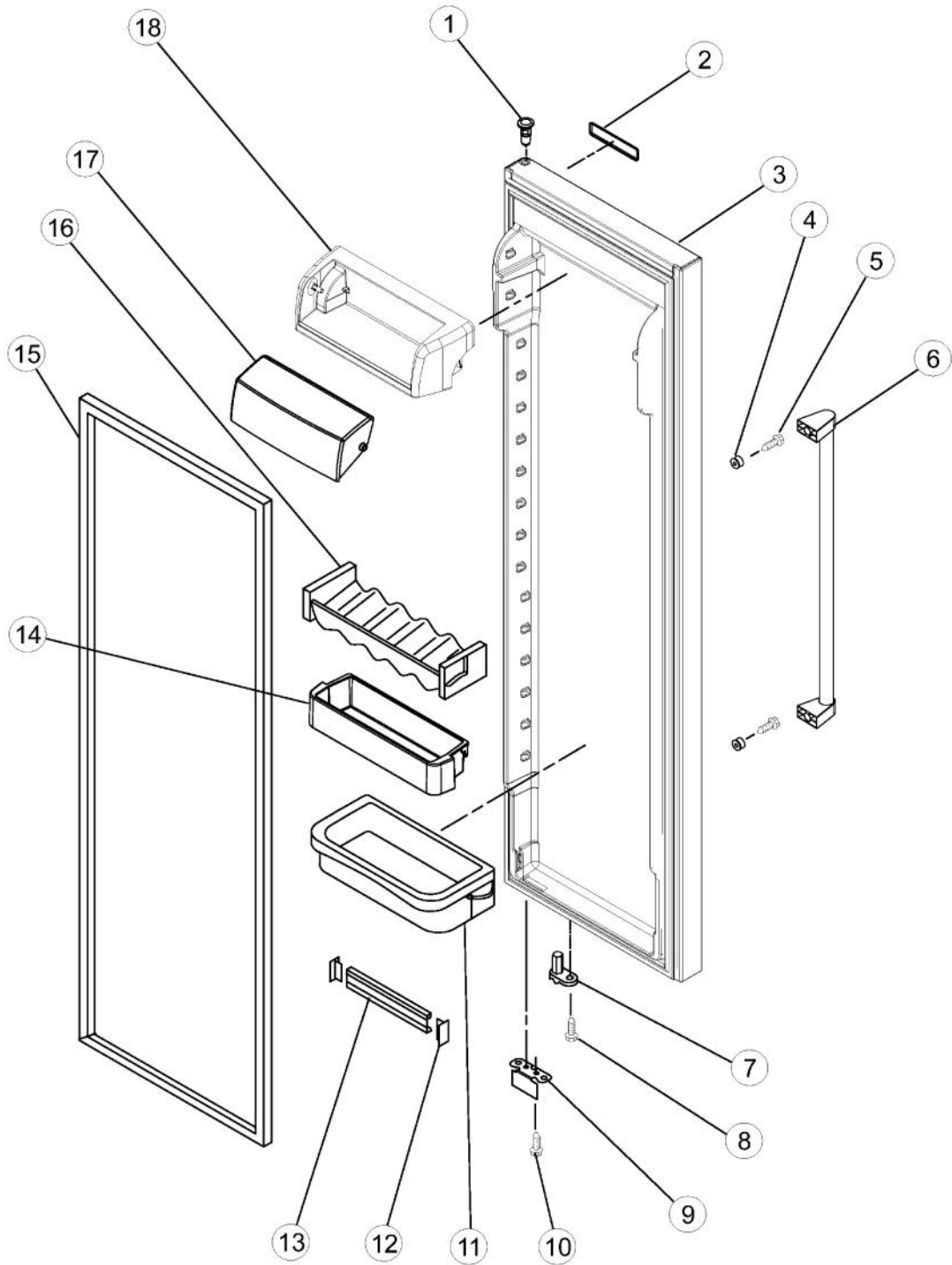
Ref #	Part Number	Qty.	Description
1	UNSERVICEABLE	1	OVEN CAVITY, ASM 36
2	021448-000	1	SLIDE, ICE MAKER MOUNTING, RIGHT SIDE
2	021532-000	1	SLIDE, ICE MAKER MOUNTING, LEFT SIDE
3	021646-000	1	REAR FOAM 36 AF AR BTM 34 W
4	021434-000	1	BRACKET, ICE MAKER COVER
5	021608-000	1	COVER, ICE MAKER
6	021465-000	2	SHELF ASSEMBLY, CANTILEVER
7	021493-000	1	SHELF, FIXED
8	021475-000	2	SPACER, SLIDE
9	021513-000	1	GLIDE ASSEMBLY, BASKET, RIGHT SIDE
9	021514-000	1	GLIDE ASSEMBLY, BASKET, LEFT SIDE
10	021382-000	1	SCREW
11	021471-000	2	BASKET, DEEP
12	021489-000	1	FRONT-BASKET
13	021472-000	1	BASKET, LOWER



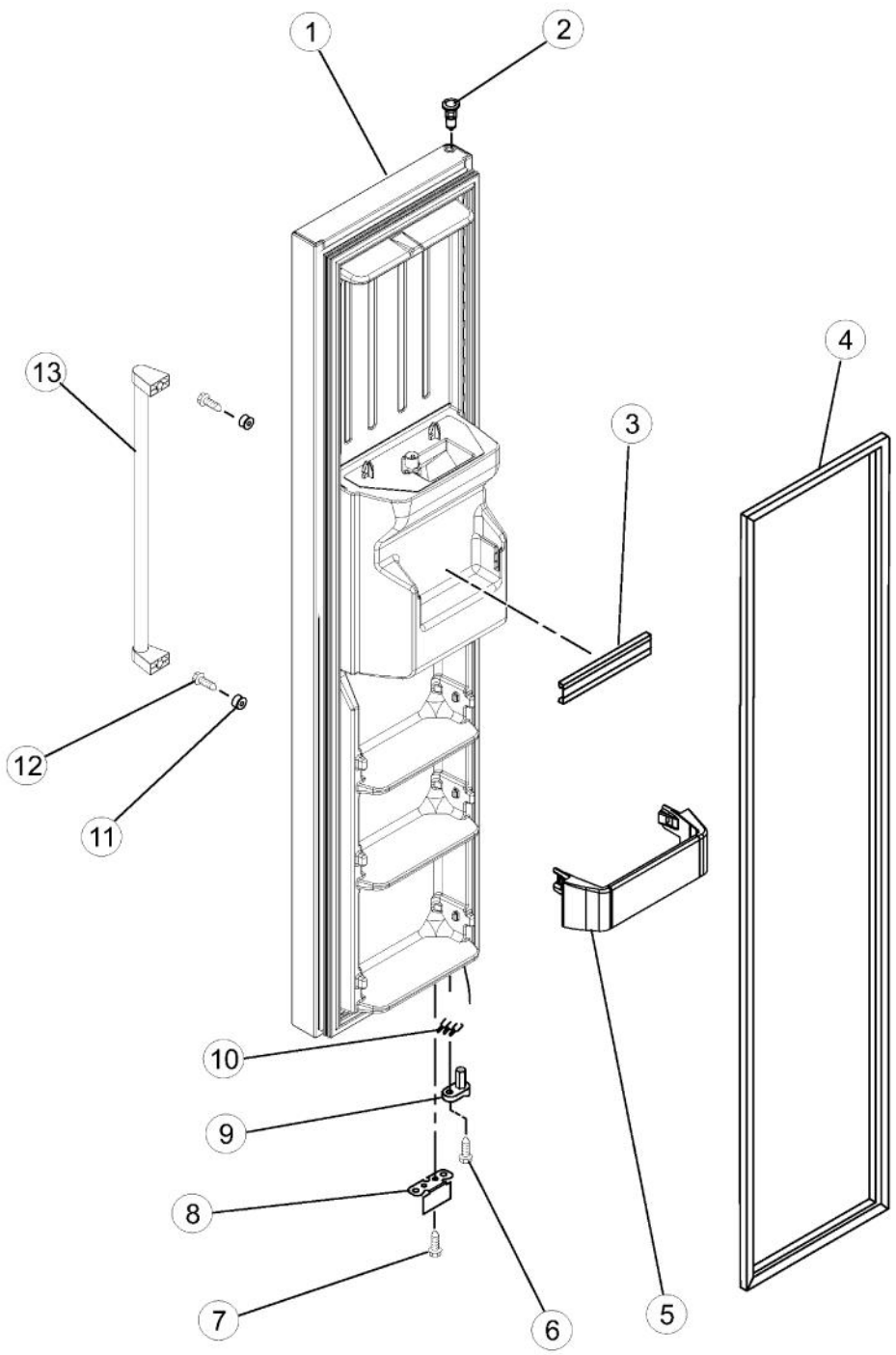
Ref #	Part Number	Qty.	Description
1	021564-000	2	SCREW
2	021418-000	1	HOLDER
3	021549-000	1	LATCH, BIN
4	021430-000	1	SEAL
5	021543-000	1	SLEEVE, COUPLING
6	021427-000	1	SPRING, LATCH
7	021416-000	1	DRIVE SHAFT
8	021556-000	1	ENCLOSURE, MOTOR
9	021561-000	1	DISPENSER, MOTOR
10	021564-000	3	SCREW
11	021447-000	1	COVER
12	021616-000	1	WIRE HARNESS, IDI MOTOR
13	021565-000	1	SCREW
14	021417-000	1	COUPLING
15	021436-000	1	WASHER, COUPLING
16	021546-000	1	WIPER
17	021548-000	1	DIVIDER-CHAMBER
18	021379-000	1	WASHER, PLAIN
19	021392-000	4	SPACER, FLAT
20	021496-000	1	BLADE, ROTARY
21	021545-000	1	BLOCK, BLADE
22	021495-000	1	BLADE, FIXED
23	021378-000	1	ROLL PIN
24	021391-000	1	SPACER, STEP
25	021497-000	1	BLADE, ROTARY
26	021391-000	1	SPACER, STEP
27	021498-000	1	BLADE, ROTARY
28	021547-000	1	COVER, CRUSHER
29	021562-000	2	SCREW
30	021499-000	1	WASHER
31	021550-000	1	AUGER
32	021582-000	1	CRUSHER BIN
33	021454-000	1	ICE BIN
NI	021583-000	1	ICE CONTAINER (COMPLETE)



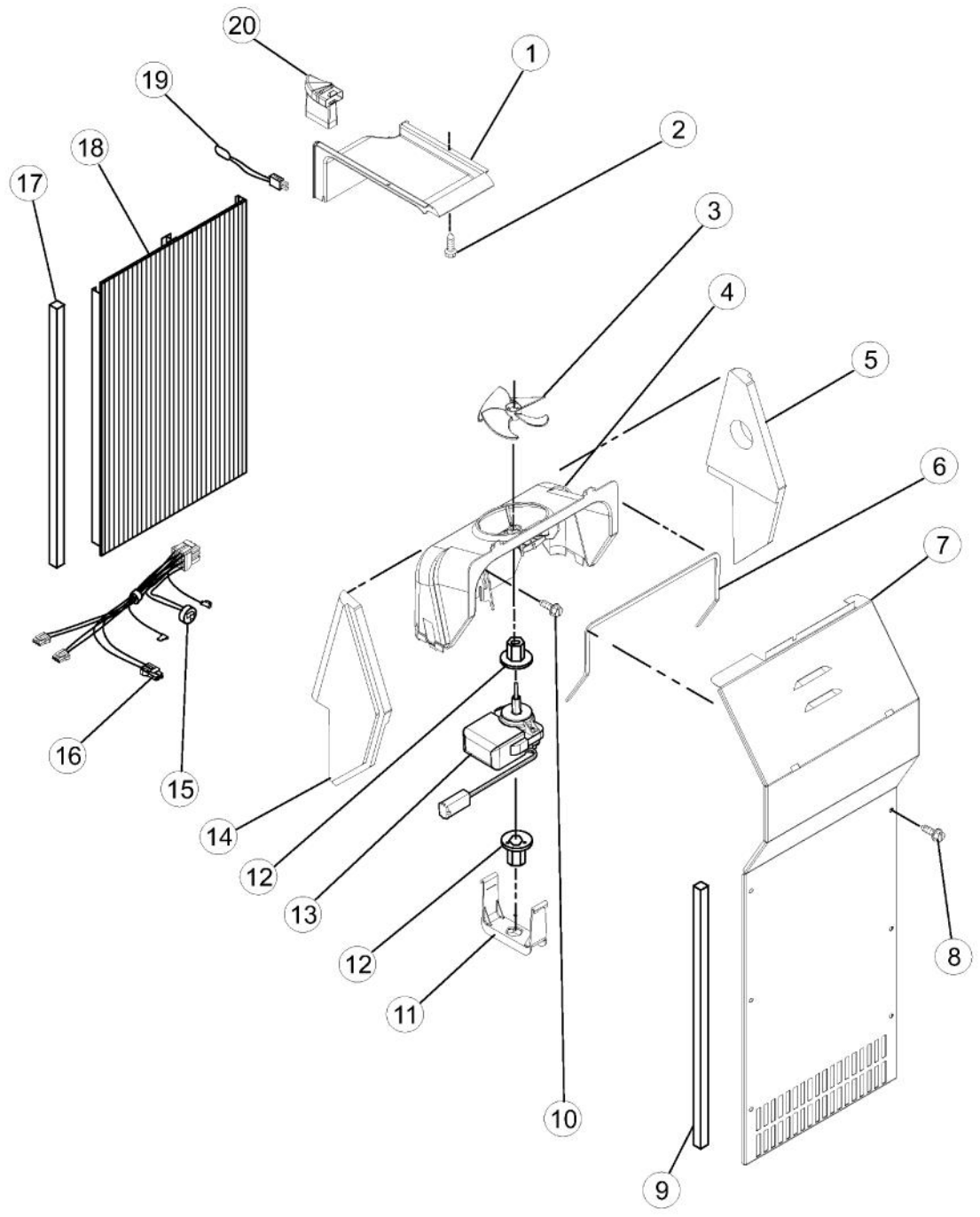
Ref #	Part Number	Qty.	Description
1	UNSERVICEABLE	1	OVEN CAVITY, ASM 36
2	021601-000	1	GRILLE, OVERFLOW, STAINLESS
3	021419-000	1	DOOR, REFRIGERATOR-LEFT (SS)
4	021420-000	1	DOOR, REFRIGERATOR-RIGHT (SS)
5	021571-000	1	LEVER, WATER DISPENSER - BLACK
6	021401-000	1	SWITCH, BRACKET
7	021384-000	1	SPACER, SWITCH
8	021628-000	1	BRACKET, CONTROL
9	021643-000	1	LED ASSY
10	021446-000	1	WATER FITTING ASSEMBLY (INCLUDES WATER TUBE)
11	021528-000	1	BRACKET, DISPENSER
12	021562-000	1	SCREW
13	021382-000	1	SCREW
14	021377-000	2	SCREW
15	021631-000	1	CTRL-ELEK, UI
16	021531-000	1	GASKET, DISP
17	021640-000	1	FASCIA ASSY, DISP - STAINLESS
18	021586-000	1	BEZEL, DISP - STAINLESS
19	021619-000	2	GASKET, DISP
20	021600-000	1	SUPPORT, WINDOW
21	021406-000	1	GUIDE, ICE
22	021570-000	1	LEVER, ICE DISPENSER - BLACK
23	021526-000	1	DOOR MECHANISM ASSEMBLY
24	021424-000	1	PIN
25	021633-000	1	SPRING, TORSION
26	021407-000	1	DOOR, ICE
27	021443-000	1	MECHANISM DELAY
28	021595-000	1	SCREW



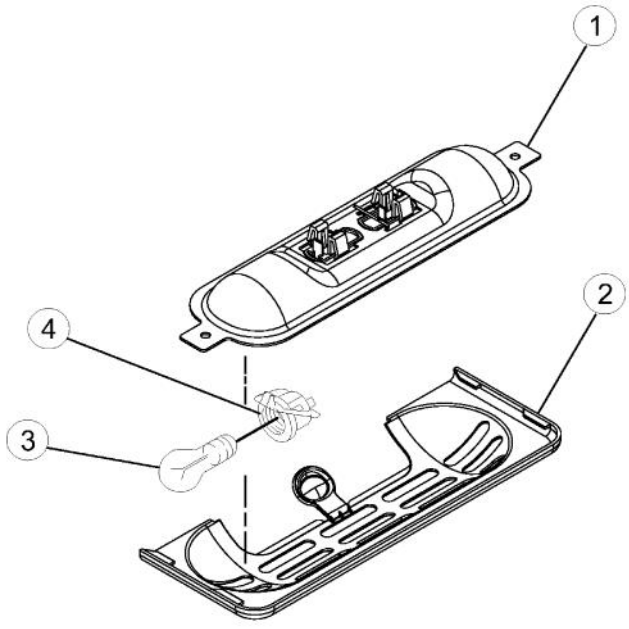
Ref #	Part Number	Qty.	Description
1	021541-000	1	THIMBLE, TOP
2	021569-000	1	NAMEPLATE (CONTACT VIKING)
3	022985-000	1	REFRIGERATOR DOOR, STAINLESS (INCLUDES GASKET)
4	021567-000	1	STUD, HANDLE
5	021598-000	1	SCREW, HANDLE
6	021610-000	1	HANDLE, STAINLESS STEEL
7	021535-000	1	DOOR CLOSER, UPPER CAM
8	021591-000	1	SCREW
9	021534-000	1	BRACKET, DOOR STOP - BLACK
10	021593-000	1	SCREW
11	021480-000	3	DOOR BIN
12	021397-000	1	PLUG, TRIM
13	021440-000	1	TRIM, SHELF
14	021491-000	1	DOOR BIN, SHALLOW
15	021560-000	1	DOOR GASKET, MAGNETIC - APOLLO GREY
16	021483-000	1	CADDY, CAN
17	021494-000	1	DAIRY DOOR
18	021481-000	1	DAIRY COMPARTMENT



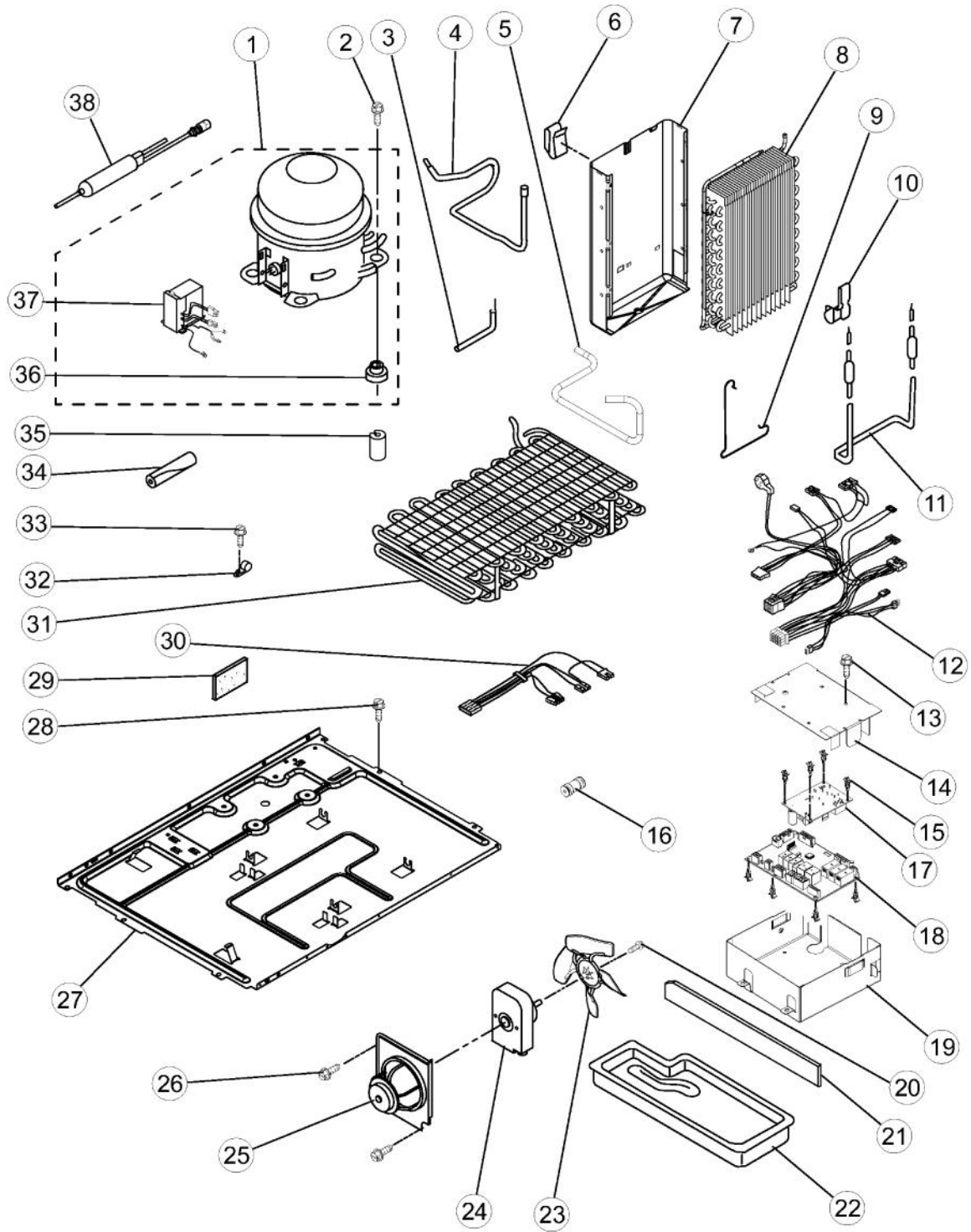
Ref #	Part Number	Qty.	Description
1	022159-000	1	DOOR, REFRIGERATOR - LEFT (SS)
2	021541-000	1	THIMBLE, TOP
3	021450-000	1	TRIM, DOOR SHELF
4	021560-000	1	DOOR GASKET, MAGNETIC - APOLLO GREY
5	021469-000	3	SHELF BIN
6	021593-000	1	SCREW
7	021591-000	1	SCREW
8	021632-000	1	BRACKET, DOOR STOP, BLACK
9	021584-000	1	DOOR CLOSER, UPPER CAM
10	021615-000	1	WIRE ASSY, DOOR
11	021567-000	1	STUD, HANDLE
12	021598-000	1	SCREW, HANDLE
13	021610-000	1	HANDLE, STAINLESS STEEL



Ref #	Part Number	Qty.	Description
1	021453-000	1	AIR DUCT, UPPER
2	021646-000	1	REAR FOAM 36 AF AR BTM 34 W
3	011507-000	1	BLADE, FAN
4	021408-000	1	FAN SCROLL
5	021459-000	1	SUPPORT, R.S
6	021396-000	1	GASKET, FAN SCROLL
7	021463-000	1	COVER, EVAPORATOR (INCLUDES GASKET)
8	021589-000	1	SCREW
9	021524-000	1	GASKET, EVAPORATOR COVER
11	021473-000	1	RETAINER, FAN MOTOR
12	021485-000	2	FAN GROMMET
13	021500-000	1	FAN MOTOR
14	021441-000	1	SUPPORT, L.S
15	021555-000	1	BI-METAL, DEFROST
16	021581-000	1	HARNESS, FAN EVAPORATOR, AND HEATER, BI-METAL
17	021442-000	1	GASKET
18	021474-000	1	AIR DUCT FREEZER
19	022177-000	1	THERMISTOR ASSY
20	021452-000	1	COVER, RIGHT HINGE, APOLLO GREY



Ref #	Part Number	Qty.	Description
1	021482-000	1	HEAT SHIELD ASSEMBLY (INCLUDES SOCKET)
2	021466-000	1	LIGHT LENS,
3	021559-000	1	LIGHT BULB
4	021479-000	1	LIGHT SOCKET



Ref #	Part Number	Qty.	Description
1	020968-000	1	COMPRESSOR
2	021381-000	1	SCREW
3	021558-000	1	TUBE, PROCESS
4	021456-000	1	TUBE SUCTION
5	021607-000	1	TUBE, DISCHARGE
6	021394-000	1	CLIP, HEAT SHIELD
7	021487-000	1	HEAT SHIELD
8	021414-000	1	EVAPORATOR
9	021399-000	1	CLAMP
10	021525-000	1	CLIP
11	021557-000	1	HEATER, DEFROST
12	021580-000	1	HARNESS, MAIN CONTROL - INCLUDES SUPPLY CORD
13	021563-000	2	SCREW, CTRL
14	021626-000	1	COVER, HOUSING
15	021478-000	5	SPACER
16	021554-000	1	CONNECTOR, WATER TUBE
17	021578-000	1	CTRL-ELEK, GEMINI
18	021629-000	1	CTRL-ELEK, MAIN
19	021625-000	1	HOUSING, CONTROL BOARD
20	021589-000	1	SCREW
21	021458-000	1	EXTENSION, AIR BAFFLE
22	021460-000	1	TRAY, EVAPORATOR
23	021585-000	1	FAN, BLADE
24	021415-000	1	FAN, MOTOR
25	021488-000	1	FAN, MOTOR BRACKET
26	021590-000	1	SCREW
27	021533-000	1	BASEPLATE
28	021646-000	6	REAR FOAM 36 AF AR BTM 34 W
29	021402-000	1	INSULATION, SOUND
30	021411-000	1	UNIT HARNESS
31	021614-000	1	CONDENSER ASSEMBLY
32	021409-000	1	CLAMP, CABLE
33	021596-000	1	SCREW
34	021398-000	1	SLEEVE
35	021551-000	4	GROMMET-COND.
36	021389-000	4	GROMMET
37	021609-000	1	INVERTER BOX
38	021606-000	1	DRIER

Ref #	Part Number	Qty.	Description
1	021410-000	1	HARNESS, WIRING
2	011582-000	1	ICE EJECTOR
3	021530-000	1	CUP, WATER FILL
4	011580-000	1	MOLD & HEATER ASSEMBLY
5	021521-000	1	FITTING, WATER TUBE
6	021426-000	1	ICE STRIPER
7	021445-000	1	TUBE CLIP
8	021375-000	1	SCREW
9	021523-000	1	BRACKET, ICEMAKER MOUNTING
10	021646-000	1	REAR FOAM 36 AF AR BTM 34 W
11	021630-000	1	WATER VALVE ASM
12	021588-000	1	SCREW
13	021627-000	1	SHIELD, VALVE ASSY
14	021404-000	1	COVER
15	011579-000	1	SCREW
16	021644-000	1	MODULE ASSEMBLY (INCLUDES MOTOR AND SCREW)
17	011592-000	1	SCREW
18	021387-000	1	THERMOSTAST
19	021645-000	1	REAR FOAM 30 AF AR 27.5 W
20	011587-000	1	SCREW
21	011584-000	1	SUPPORT, HOUSING
22	011585-000	1	RETAINER, THERMOSTAT
23	PR120059	1	CLIP, FUSE
NI	021611-000	1	ICEMAKER ASSEMBLY