



Internal Use Only

<http://biz.lgservice.com>

Room Air Conditioner

SVC MANUAL(Exploded View)

MODEL : AS-W183C2U2 (LSN181HSV / LSU181HSV)

CAUTION

Before Servicing the unit, read the safety precautions in General SVC manual.
Only for authorized service personnel.

Product Specifications

Models		Unit	AS-W183C2U2	
Cooling Capacity		kW	0.90~5.33~8.65	
		Btu/h.	3,070~18,200~29,515	
Heating Capacity		kW	0.90~6.45~11.40	
		Btu/h.	3,070~22,000~38,898	
Power Input	Cooling/Heating	W	1,447/1,850	
Running Current	Cooling/Heating	A	6.3/8.2	
Starting Current	Cooling/Heating	A	6.3/8.2	
EER		W/W	3.69	
		Btu/h.W	12.6	
SEER			18.2	
HSPF			9.7	
Power Supply		Ø / V / Hz	1/208-230/60	
Power Factor		%	98.2	
Air Flow Rate	Indoor,Max	m³/min(CFM)	20.8(735)	
	Outdoor,Max	m³/min(CFM)	60(2,119)	
Moisture Removal		l/h.	2.6	
Sound Level	Indoor,H/ML	dB(A)±3	45/40/35/29	
	Outdoor,Max	dB(A)±3	53	
Refrigerant & Charge (at 7.5 m)		g(oz)	R410A, 1,800(63.5)	
Additional Refrigerant charge		g/m(oz/ft)	35(0.38)	
Compressor	Type		Twin Rotary	
	Model		GJT240DAA	
	Motor Type		Brushless DC Motor	
	Oil Type		PVE(FVD68C)	
	Oil Charge	cc	900	
	O.L.P. name		-	
Fan(Indoor)	Type		Cross Flow Fan	
	Motor Output	W	76.1	
Fan(Outdoor)	Type		Propeller	
	Motor Type		BLDC	
	Motor Output	W	124	
Circuit Breaker*		A	25	
Power Supply Cable		No.*mm²	3*2.5	
Power and Transmission Cable No.*mm²		No.*mm²	4*0.75 (Including Earth)	
Piping Connections	Liquid Side	mm(in)	9.52(3/8)	
	Gas Side	mm(in)	15.88(5/8)	
Drain Hose(O.D / I.D.)		mm(in)	21.5 / 16.0 (0.85 / 0.63)	
Dimensions	Indoor (W*H*D)	mm	1,030*325*250	
		inch	40.6*12.8*9.84	
	Outdoor (W*H*D)	mm	870*800*320	
		inch	34.3*31.5*12.6	
Net Weight	Indoor	kg(lbs)	17(37.5)	
	Outdoor	kg(lbs)	60(132.3)	
Operation Range	Cooling(Outdoor)	°C	-10~48(14.0~118.4)	
	Heating(Outdoor)	°C	-15~24(5~-75.2)	
Piping Length (Min/Max)		m(ft)	30(98.4)	
Chargeless		m(ft)	-	
Max. Elevation Difference		m(ft)	15(49.2)	
Tool Code(Chassis)	Indoor + Outdoor		SC + UE1Plus	
Functions	Temperature Control		O	
	Plasma Filter		O	
	Prefilter(washable/anti-fungus)		O	
	Auto Clean		O	
	Auto Swing		O	
	Steps, Fan/Cool/Heat		5/6/6	
	Airflow Direction Control(up&down)		Auto	
	Airflow Direction Control(left&right)		Auto	
	Remote Controller Type		Standard Wired Remocon, Wireless LCD(EZ-Remocon)	
	Setting Temperature	Cooling	18°C~30°C	
	Range	Heating	16°C~30°C	
	Auto Operation (Micom Control)		-	
	Auto Changeover (Micom Control)		O	
	Self Diagnosis		O	
	Timer		24h On/Off	
	Sleep Operation		O	
	Soft Dry Operation		O	
	Restart Delay(minute)		3	
	Device Control(Defrost)		O	
	Hot Start		O	
	Jet Cool, Jet Heat		O	
	Low Ambient Operation		O	
	Special Function		-	
	Network Functions	Dry Contact		O
		Network Solution(LGAP)		O
		P1485		O

Note:

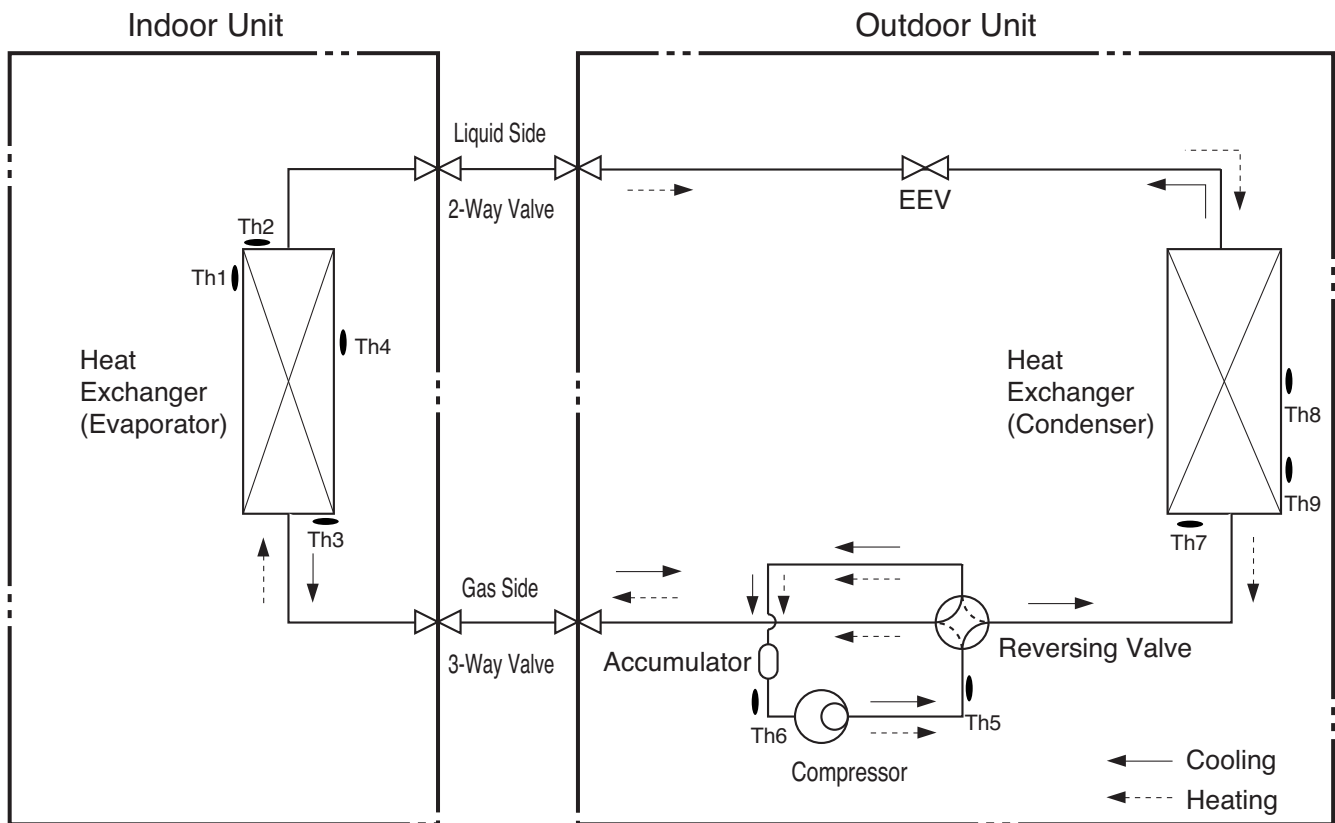
O : Applied, - : No relation

* For circuit breaker rating, please conform to local standards wherever necessary.

* Some of functions are slightly different depending upon models.

* The specification may be subject to change without notice for purpose of improvement.

2. Piping Diagrams

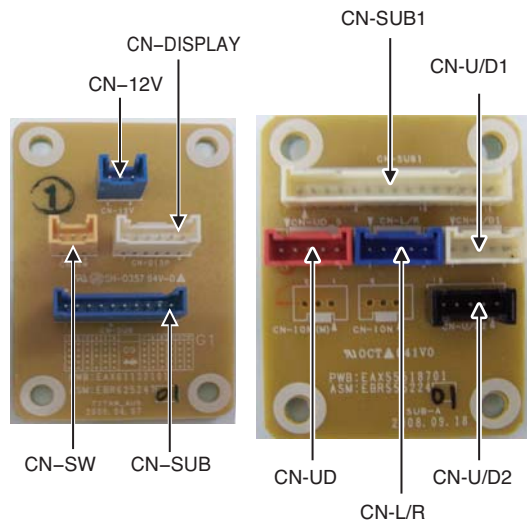
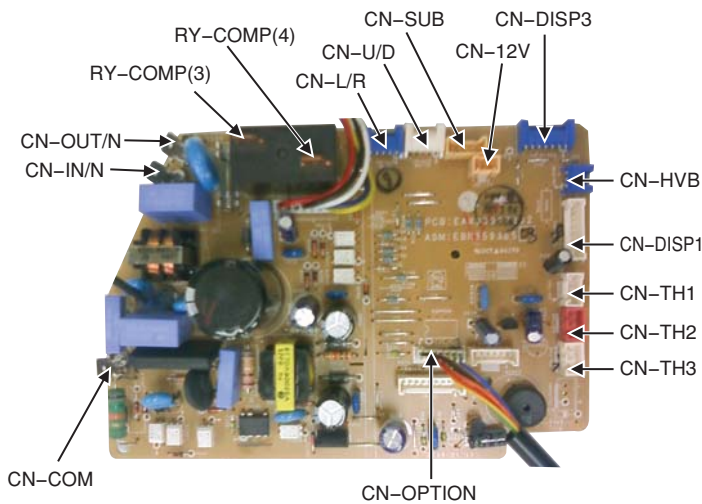
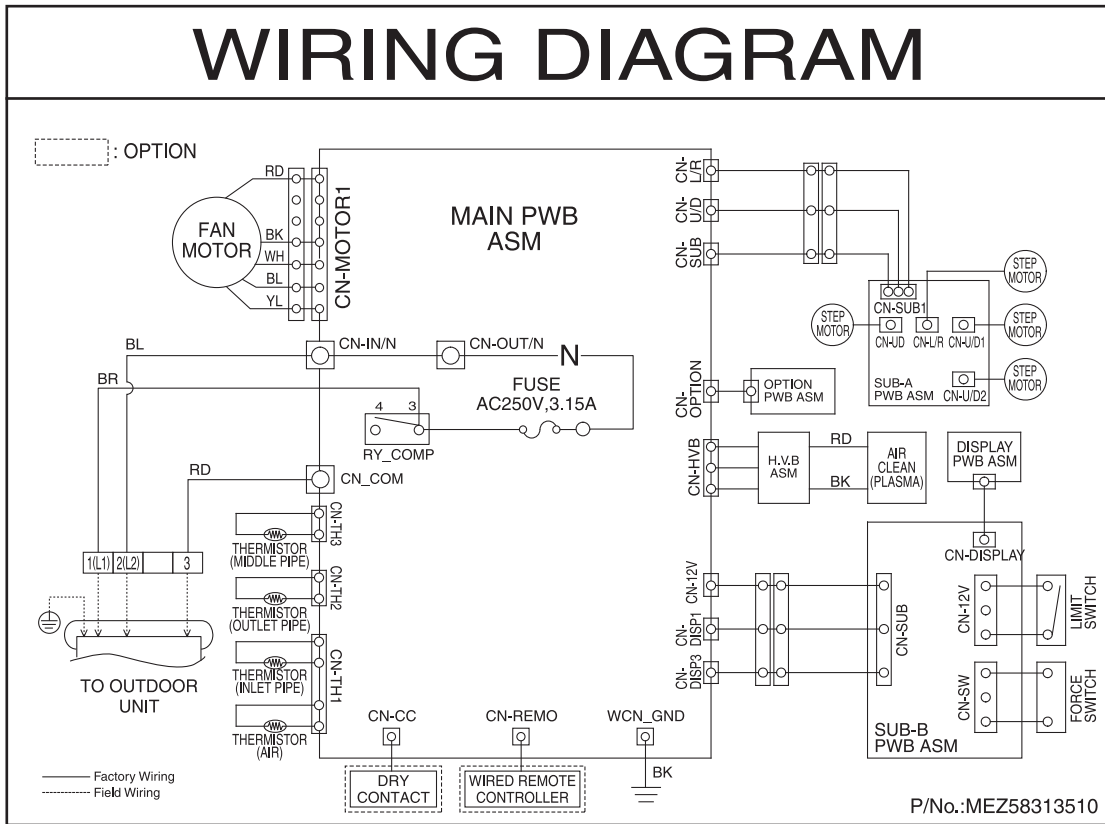


LOC.	Description	PCB Connector
Th1	Thermistor for suction air temperature	CN-TH1(Indoor)
Th2	Thermistor for evaporator inlet temperature	
Th3	Thermistor for evaporator outlet temperature	
Th4	Thermistor for evaporator middle temperature	CN-TH3(OUTDOOR)
Th5	Thermistor for discharge pipe temperature	
Th6	Thermistor for suction pipe temperature	CN-TH2(OUTDOOR)
Th7	Thermistor for condensing temperature	
Th8	Thermistor for outdoor air temperature	CN-TH4(OUTDOOR)
Th9	Thermistor for condensing middle temperature	

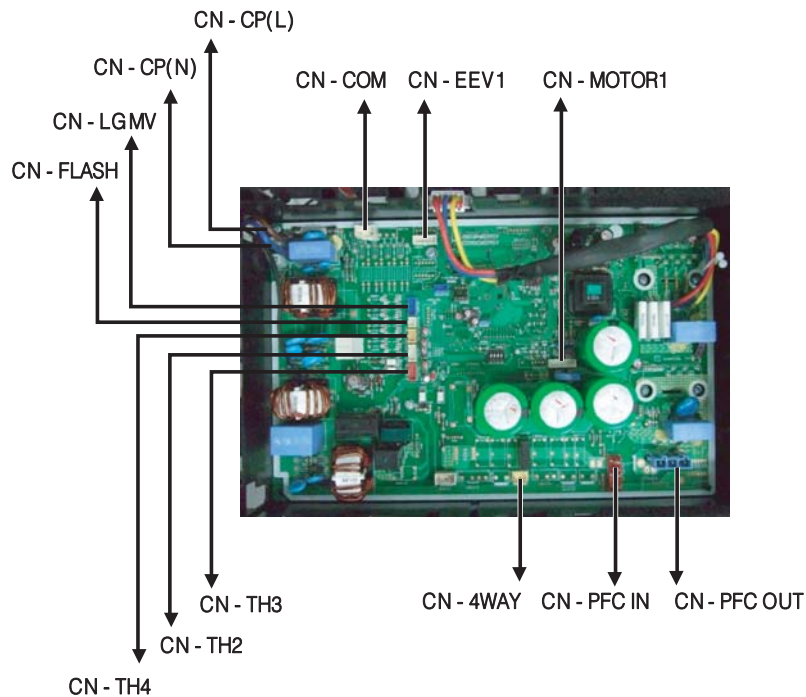
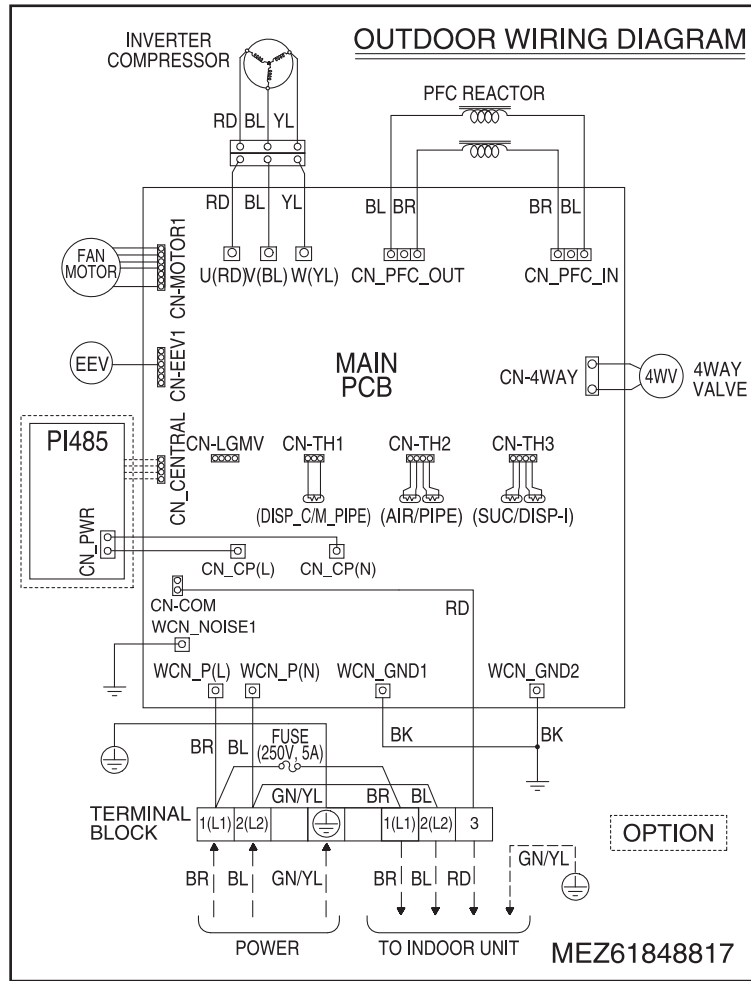
※ EEV : Electronic Expansion Valve

3. Wiring Diagrams

Indoor Unit

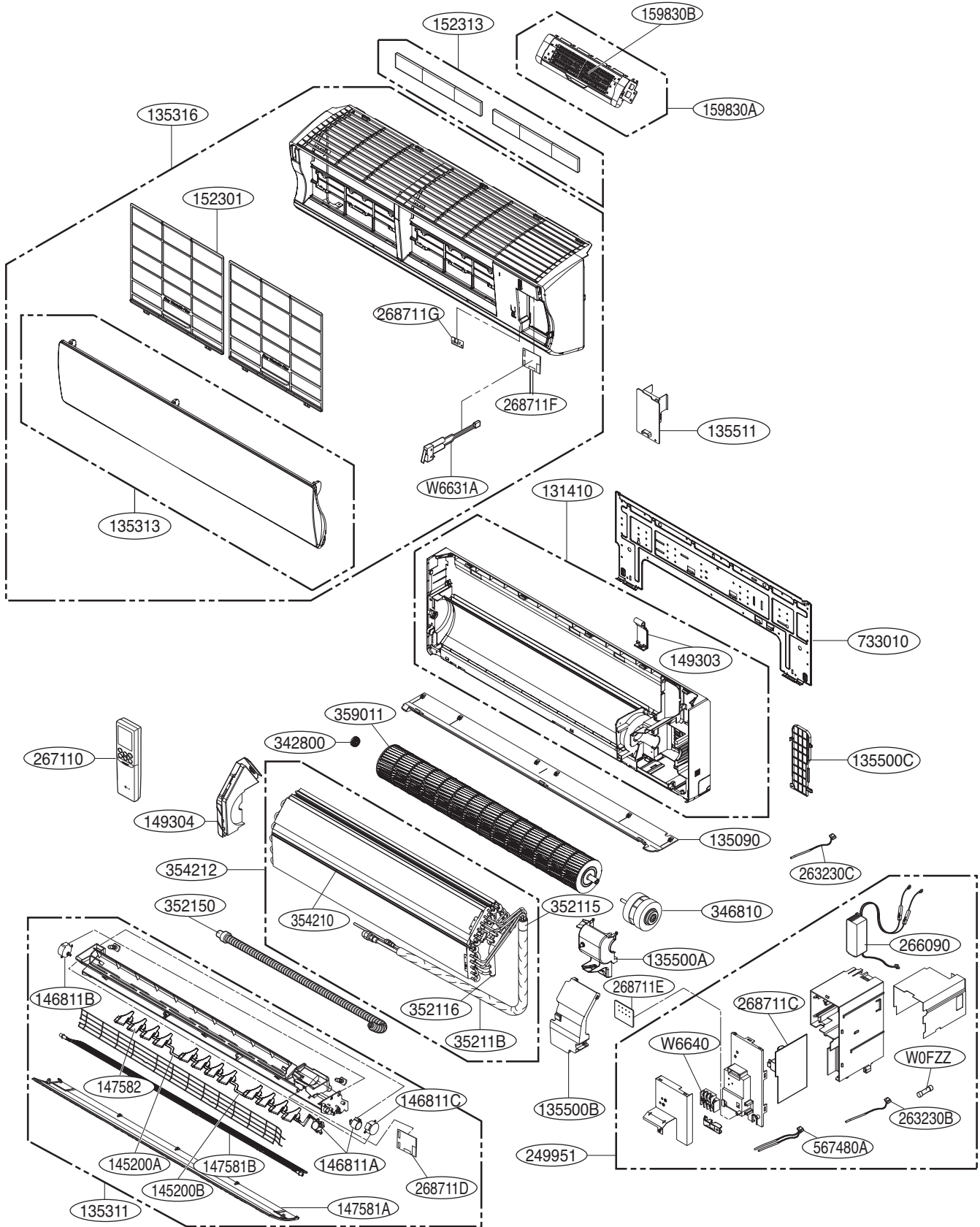


Outdoor Unit

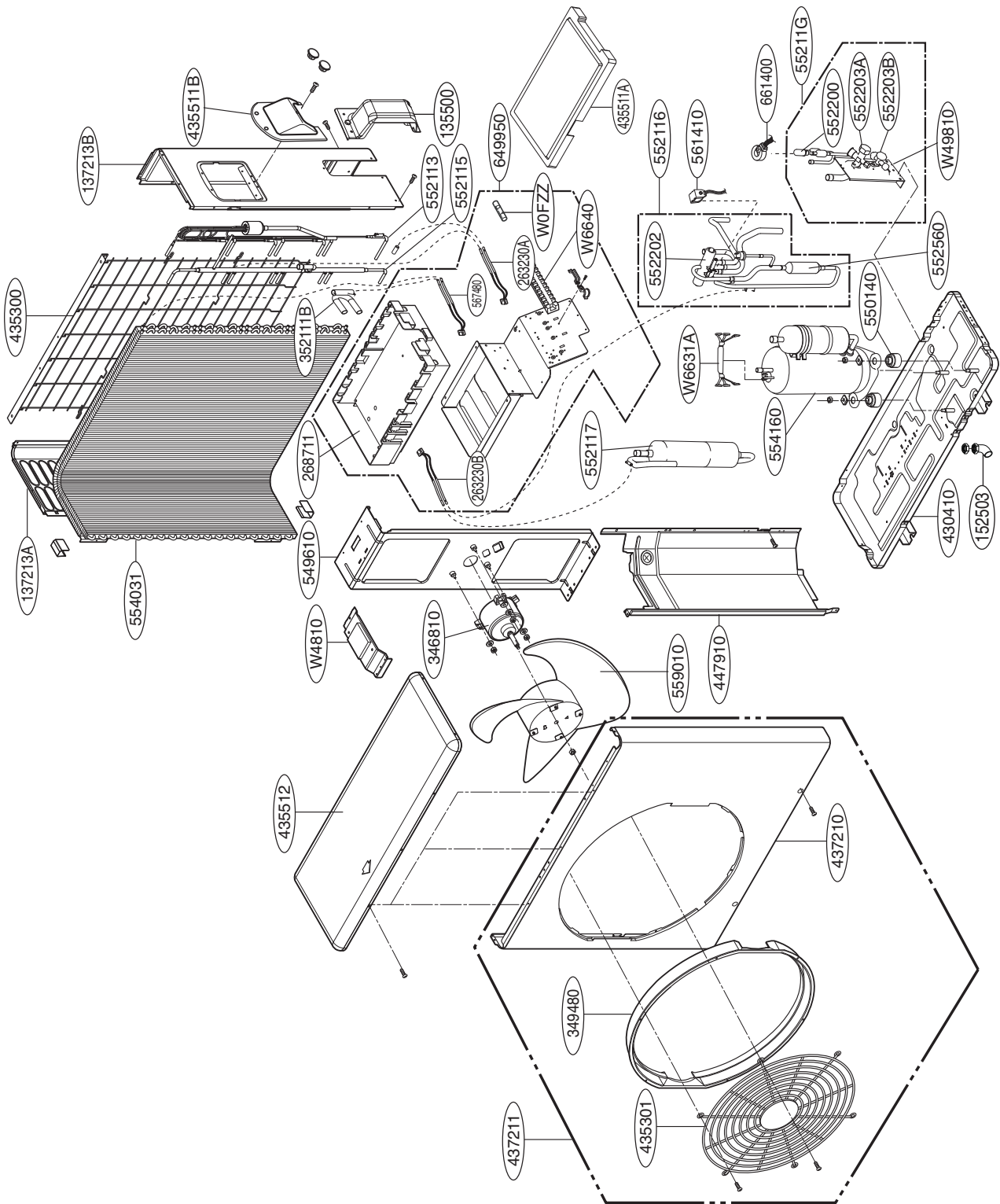


Exploded View

Indoor Unit



Outdoor Unit





P/NO : MFL42201028

May, 2010