

This Owner's Manual is provided and hosted by [Appliance Factory Parts](#).



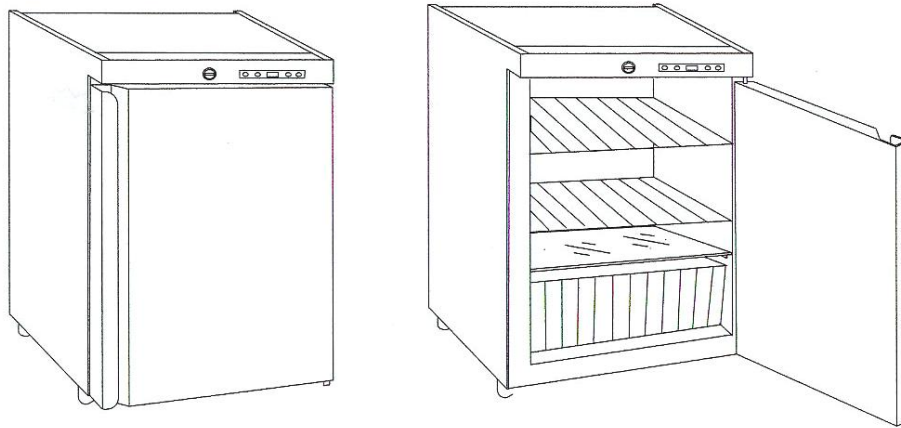
Grand Hall BC-161A Owner's Manual

**[Shop genuine replacement parts for Grand Hall
BC-161A](#)**



[Find Your Grand Hall Grill Parts - Select From 203 Models](#)

----- Manual continues below -----



BC-161A Turbo Outdoor Refrigerator

- Before Putting Into Use
- Important
- Placing and Installation
- Description of the Appliance
- Operation Control
- Use
- Maintenance and Cleaning
- Changing the Direction of opening the Door
- Trouble Shooting Guide

Thank you for buying a Grand Hall appliance!

We hope it will successfully serve your requirements for many years.

This Refrigerator can be for indoor and outdoor use and is intended for storing beverages and fresh foods at temperatures higher than 0°C/32°F.

SAVE THESE INSTRUCTIONS

Before Putting Into Use	2	Use	9
Instructions for Use		Storing Fresh Foods	
We care for the Environment		Maintenance and Cleaning	10
Tips for Energy Savings		Automatic Defrosting of the Refrigerator	
Important	3	Cleaning of the Appliance	
Disposing of Worn Out Appliances		Switch Off the Appliance When Not In Use	
Placing and Installation	4	Changing the Direction of	
Choosing the Right Place		Opening the Door	11
Placing the Self-standing Appliance		Trouble –Shooting Guide	12
Connection to Power Supply			
Description of the Appliance	7		
Operation Control	8		

Before Usage

- Before connecting the appliance to an electrical power supply, let it stand for about 2 hours to reduce the possibility of malfunctions in the cooling system due to transport handling.
- Clean the appliance thoroughly, especially in the interior(See Cleaning and Maintenance)
- In case the interior accessories are not correctly placed, rearrange them as described in “Description of the Appliance”.

Instructions for Use

These instructions for use are intended for the user.

They provide descriptions of the appliance and proper operating procedures for safe use.

SAVE THESE INTRUCTIONS:

We Care for the Environment

- Our products are environmentally friendly as individual packaging materials are clearly marked.
- These instructions are printed either on recycled paper or chlorine free bleached paper.
- When ready to dispose your appliance, please call your nearest authorized service agent. (See Disposing of Worn Out Appliance)

Tips for Energy Savings

- Try not to open the door too often, especially when the weather is hot and humid. Once you open the door, close it as soon as possible.
- Periodically check if the appliance is sufficiently ventilated (adequate air circulation behind the appliance).
- Set the thermostat from higher to lower settings as soon as possible (depends on how full the appliance, ambient temperatures etc).
- Before loading the appliance with packages of fresh foods, make sure that they are cooled to normal temperature (excluding soups).
- Ice and frost layers increase energy consumption, so clean the appliance as soon as the frost layer is 3-5mm thick.
- If the gasket is damaged or the door seal is poor, energy consumption is substantially higher. To restore efficiency, replace the gasket.
- Always consider instructions stated in sections Positioning and Energy Saving Tips, otherwise the energy consumption is substantially higher.

Important

- The appliance must be properly connected to an electrical power supply. (See: Connection to Power Supply).
- If the food has a strange smell or color, throw it away, because it is very likely that it is spoiled and therefore is dangerous to consume.
- Always disconnect the appliance from the power supply before cleaning the appliance, replacing the light bulb and / or attempting repairs. **WARNING:** repairs should be performed by qualified service personnel only.
- Do not defrost the appliance with other electric appliances (for example a hair dryer) and never attempt to scrape /remove ice/frost with sharp objects. Use only enclosed tools or tools recommended by the manufacturer.
- The refrigerating system of the appliance is filled with refrigerant and oil, so when the appliance is damaged, handle it with care and dispose of it in compliance with environmental protection safeguards. (See: We Care for the Environment.)
- The rating plate containing Model No/Serial No and other technical data specific to this unit, is located either inside the unit or outside on the rear wall.
- If there is any damage to the power supply cord, please contact local service center for help! **WARNING: repairs should be performed by qualified service personnel only.**

Dispose of Worn Out Appliances

- When your appliance finally wears out, dispose of it in a safe and harmless manner. If the appliance is equipped with a door lock that can not be opened from the inside (lock, bolt), make sure the lock is removed, disabled or destroyed before being discarded. This will make it impossible for children to accidentally lock themselves inside the appliance and suffocate.
- The refrigerator system of the appliance is filled with refrigerant and insulating substances which should be separately treated and processed. Call your nearest authorized service agent or specialized servicing center. If you are unable to locate one, contact your local authorities or your distributor.

Placing and Installation

CHOOSING THE RIGHT PLACE

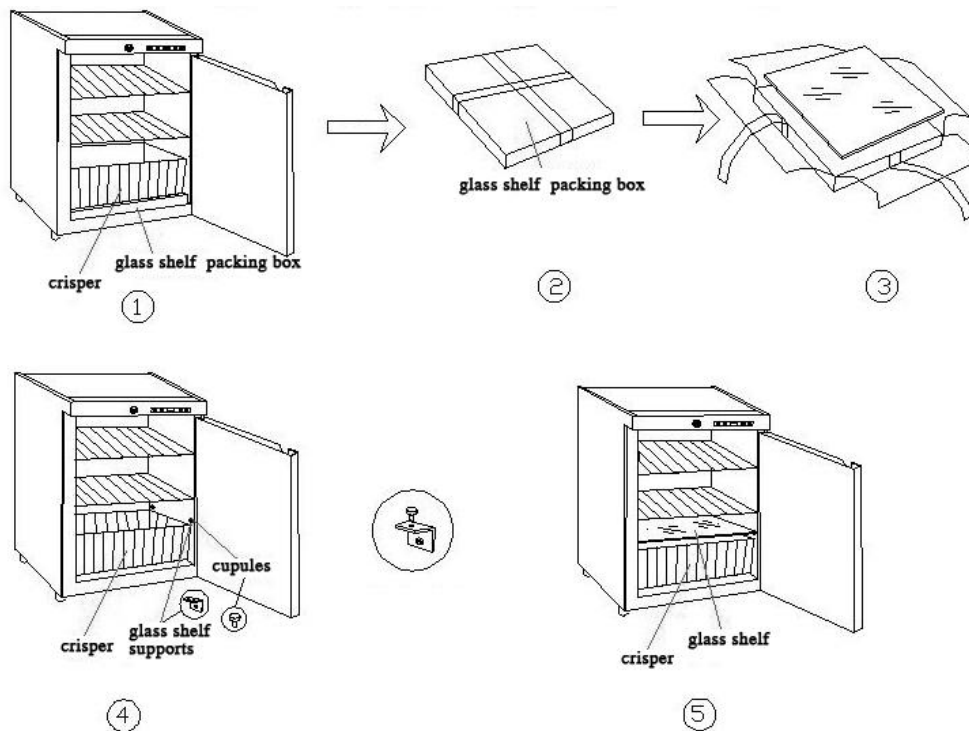
- Place the appliance in a dry and regularly ventilated place. Never place the appliance near heat emitting devices (e.g. cooking appliances, radiators, water heaters or similar devices).
- The appliance should be positioned at least 3cm away from electric or gas cooking appliances and at least 30cm away from oil or coal fired stoves. If this is not possible, use an appropriate insulation barrier.
- Behind the appliance there should be a free space at least 200 c m² wide and above the appliance kitchen units (cupboards) should be at least 5 cm away from the appliance in order to assure adequate ventilation.
- Since this product has many ventilation holes underneath, please make sure there is a gap of at least 3cm between the bottom of the product and the ground & there is nothing stuck underneath.

INSTALLATION

Place the appliance firmly on a solid base. There are two wheeled feet underneath, but two fixed feet on front side underneath. So if you want to move the appliance, hold the front side, pull / push the appliance to the required location.

NOTICE CARD

For unpacking and installing the glass shelf:



- ① Open the door; the glass shelf is packed under the crisper;
- ② Take out the glass shelf packing box;
- ③ Unpack the box, take out the glass shelf;
- ④ Fix the four supports and add four cupules on them;
- ⑤ Put the glass shelf on the four cupules & make sure it is steady.

Fixing the “K” clip:

(i)



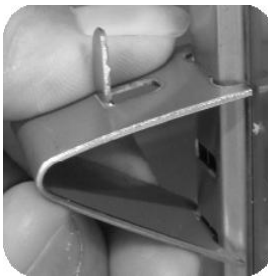
Put the peg into the hole you choose;

(ii)



Press it downwards with your thumb;

(iii)



With your other fingers pushing on the slanting side, put the other peg into the third hole.

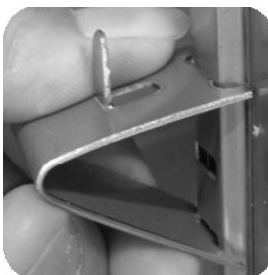
(iv)



Done.

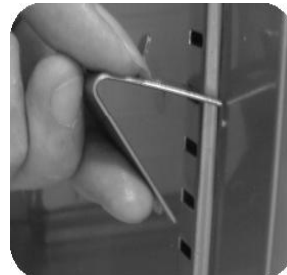
Removing the “K” clip:

(i)



With your fingers pushing on the slanting side;

(ii)



Pull out the peg on the slanting side;

(iii)



Pull out the other peg

WARNING

Instructions pertaining to the risk of fire, electric shock, or injury to persons.

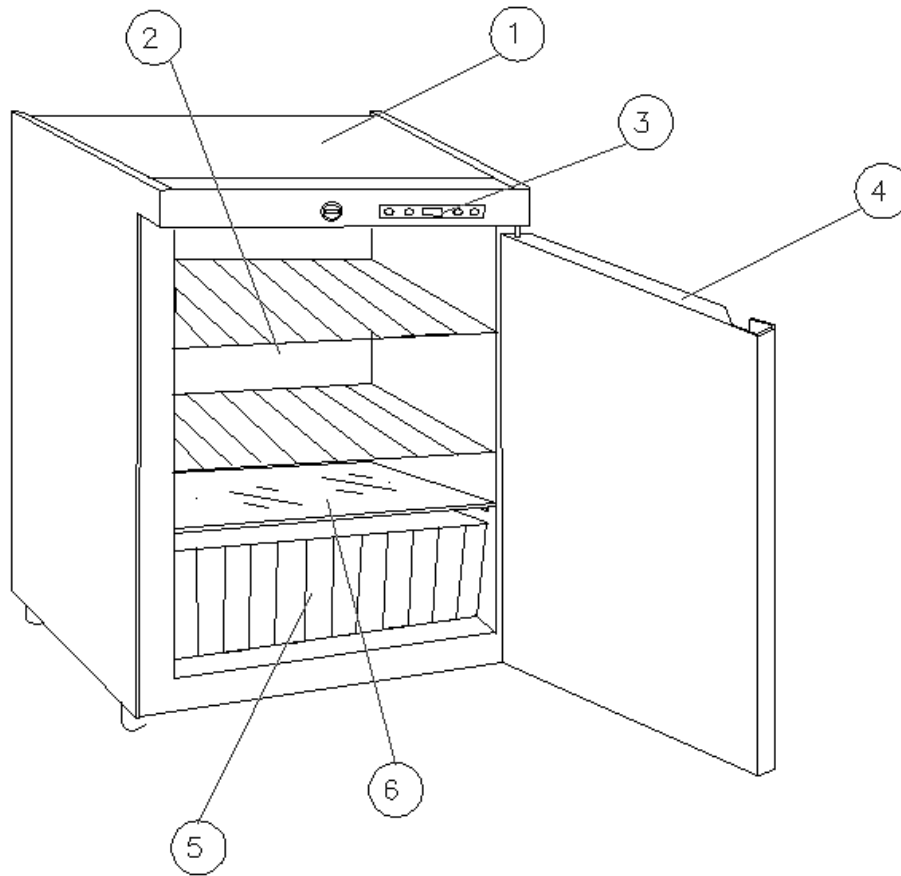
GROUNDING INSTRUCTIONS

For your personal safety, this appliance must be grounded. In the event of a malfunction or break down, grounding will reduce the risk of electric shock by providing a path of least resistance for electric current. This appliance is equipped with a power cord having equipment grounding conductor and grounding plug. The plug must be plugged into an appropriate wall outlet that is installed and grounded in accordance with all existing local codes and ordinances. Consult a qualified electrician or serviceman if the grounding instructions are not clearly understood or if doubt exists as to whether the appliance is properly grounded.

CONNECTION TO POWER SUPPLY

Connect the appliance power cord and plug to a properly grounded wall outlet. The required nominal voltage and frequency are indicated on the rating plate (inside the unit or on the exterior rear wall of the unit).

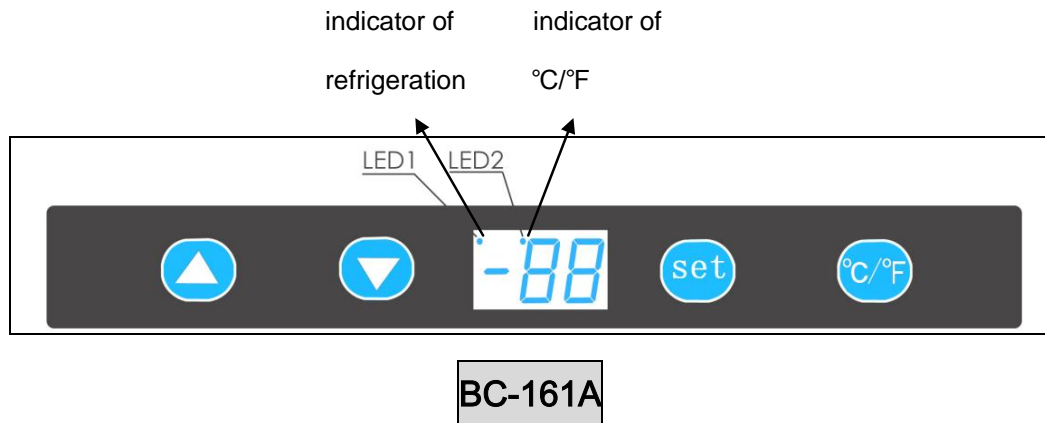
Description of the Appliance











- ① **Cold Cube:** Made of stainless steel; can be cleaned with alcohol or detergent.
- ② **Evaporator**
- ③ **Control Panel:** You can set the temperature (See: Operation Control) & control the illuminating light on the control panel (See: Illumination in the interior of the Refrigerator).
- ④ **Door:** Made of stainless steel; with replaceable gasket
- ⑤ **Fruit and Vegetable Crisper:** The crisper drawer is on the bottom of the appliance under the glass shelf. You can pull out or push in conveniently with wheels and slides.
- ⑥ **Glass shelf:** It can provide level place for articles; you can also see loading contents in the Crisper through the glass.

Operation Control

The temperature of the refrigerator is controlled by setting the touchpad on the control panel.



- a) **Temperature control:** Press  button, choose  or  to adjust the temperature. Keep your fingers on  or  for over 2 s can realize consecutive up or down. If without actions, 6 s later, it will show actual temperature inside.
(adjustable temperature range: 32°F~50°F)
- b) **Indicator light of refrigeration:** when the compressor is on, the indicator light is on; when the temperature is stable on the set temperature, the indicator light is off; during latency period, the light is twinkling.
- c) **Illumination in the Interior of the Refrigerator:**
When the refrigerator door is open, the light is on; when closed, the light is off.
- d) **°C/°F conversion:** when you press 
you can make conversions between °C and °F; when LED2 is on, it shows temperature in °F; when LED2 is off, it shows temperature in °C.
- e) **Restore to default settings:** Press  twice, and then put your fingers on  for 6 s, it twinkles, which means all parameters have been restored to default settings. It will return to normal status in 6 s.

Use

Storing Fresh Foods

Proper use of the appliance, adequate packed food, correct temperature and taking into account hygienic precautions will substantially influence the quality of the food stored.

- Foods to be stored in the refrigerator should be properly packed so as to prevent mixing various moisture degrees and odors (in polyethylene bags or sheet, aluminum foil, was paper, or stored in covered containers or bottles).
- Before storing food in the refrigerator, remove excessive packaging (like yogurt in multi-package).
- Pack systematically and make sure that foodstuffs do not touch each other (various odors may mix). Assure adequate air circulation around packages.
- Never store flammable, volatile or explosive substances.
- Beverages with high alcohol percentage shall be stored in tightly sealed bottles in vertical position.
- Food should not touch the rear wall of the refrigerator.
- Foods should be cooled down before storing.
- Crispy and delicate foods should be stored in the coldest parts of the refrigerator.
- Try not to open the door too often,
- Some organic solutions like volatile oils in lemon and orange peel, acid in butter etc. can cause damage when in contact with plastic surfaces or gaskets for long periods of time.
- Unpleasant odors inside the refrigerator are a sign that something is wrong with foods or that your refrigerator needs cleaning. Unpleasant odors can be eliminated or reduced by washing the interior of the refrigerator with mild solution of water and vinegar. We also recommend using activated carbon filters to clean the air or to neutralize odors.
- If you are planning a long journey, make sure to remove perishable articles of food out of the appliance before you leave.

Maintenance and Cleaning

Automatic Defrosting of the Refrigerator

- There is no need to defrost the refrigerator, because ice depositing on the inner back wall is defrosted automatically.
- Ice build-up on the inner back wall during the compressor operation; will (when the compressor has cycled off) defrost automatically. Defrost water collects inside the drain through passing through the drain outlet in the inner back wall into a drain pan situated above the compressor, from where it evaporates.

Cleaning the Appliance

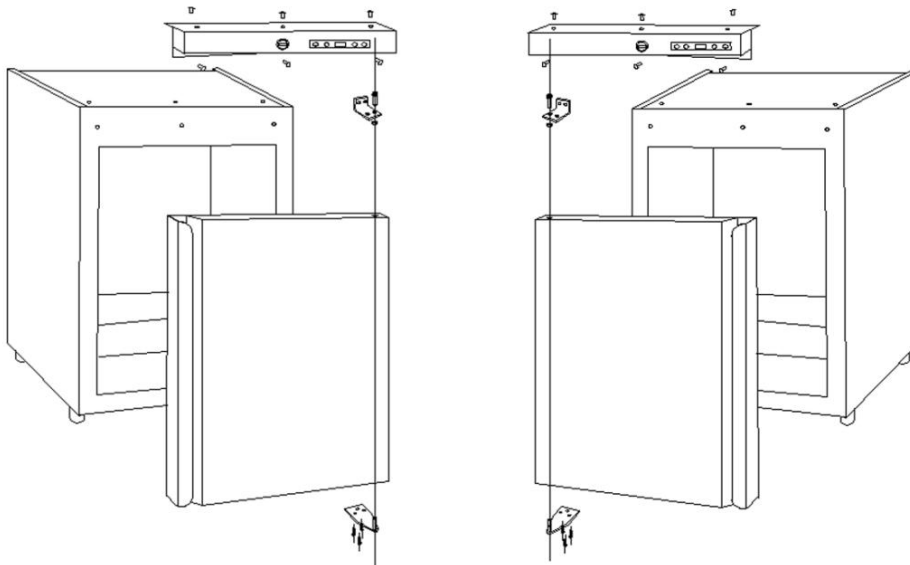
- Disconnect the power bar before cleaning the appliance.
- Do not use coarse or aggressive cleaning agents as you can damage the surface.
- Clean the exterior with water and detergent.
- Remove the detachable accessories in the interior of the appliance and clean with water and liquid detergent. Plastic parts can not be washed in dishwashers.
- Wash the interior of the appliance with lukewarm water, adding one or two spoonfuls of vinegar.
- After cleaning, connect the appliance to power supply and reload it.

Switch Off the Appliance When Not In Use

If you do not intend to use the appliance for long periods of time, disconnect the supply, take out the foods and defrost and clean the appliance. Leave the door slightly open.

Changing the Direction of the Door Opening (Swing)

If you find the direction of opening the door on your appliance inconvenient, you can change it. Holes on the opposite side have already been prepared in the factory.



Trouble-Shooting Guide

Sometimes you may come across minor problems that in most cases do not require a service call and can be easily eliminated. The problem may have resulted from improper handling and/or installation of the appliance. Please refer to the trouble-shooting guide to assist you in identifying the possible cause and solution to your problem. Should the problem still persist after completing these checkpoints, please contact the closest authorized service agent in your area for assistance.

The Appliance Fails to Operate After Connecting to Electrical Power Supply

- Check the power cord is properly connected.
- Check the power supply in the electrical outlet.(blown fuse/ circuit breaker)
- Make sure the appliance is switched on.

Continuous Operation of the Cooling System

- The door is frequently open or left open too long.
- The door is not properly closed (the door may sag; the gasket may be polluted or damaged).
- Perhaps you may have overloaded the appliance with fresh foods.
- The reason may be inadequate ventilation of the compressor (assure adequate air circulation).

Ice Formation on the Inner Rear Wall

- As long as the defrost water runs to the channel and through the outlet to the drain pan on the compressor, automatically defrosting of the appliance is assured.
- In case the ice formation on the inner back wall is increased (3-5mm), ice should be manually defrosted (See: Operation Control).
- Never use electric devices for defrosting and do not scrape the ice or frost layer with sharp objects.

Water is Leaking from the Refrigerator

If the discharge water outlet is clogged, or the defrost water drips over the channel, water will leak from the refrigerator.

- Clean the clogged outlet, for example with a plastic straw
- Manually defrost the increased ice layer.(See: Operation Control)

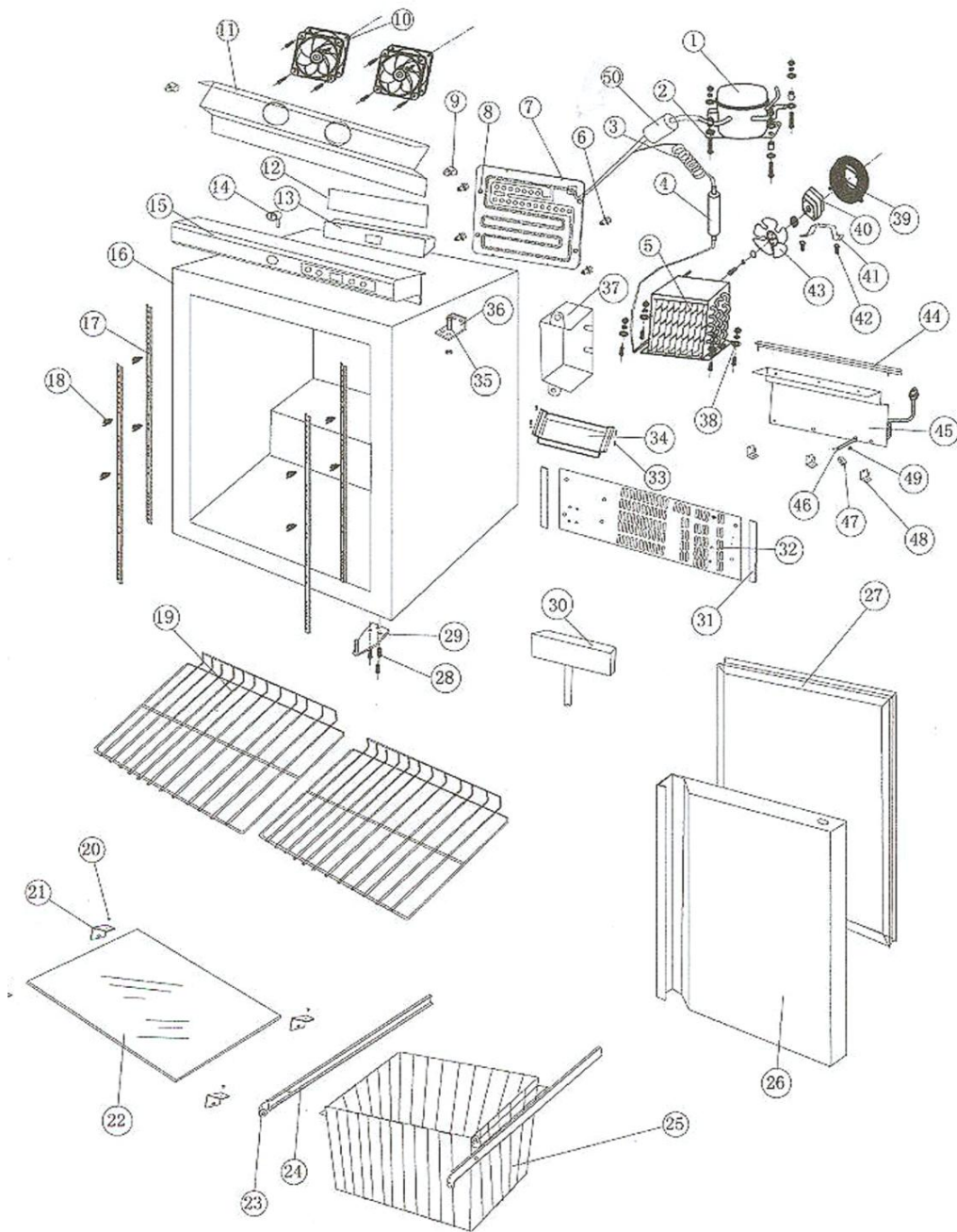
Trouble-Shooting Guide

Noise

Cooling in a refrigerator-freezing appliance is made possible by cooling the system using a compressor which will produce certain noise levels. How noisy the appliance is depends on where it is placed, how it is used and how old the appliance is.

- During the operation of the compressor the noise of the liquid is heard and when the compressor is not operating, the refrigerant flow is heard. This is a normal condition and it has no influence whatsoever on the lifetime of the appliance.
- After starting the appliance, the operation of the compressor and the refrigerant flow may be louder, which does not mean that something is wrong with the appliance and it has no influence on the lifetime of the appliance. Gradually this noise is reduced.
- Sometimes unusual and louder noise is heard, which is rather unusual for the appliance. This noise is often a consequence of inadequate installation.
 - The appliance must be level and installed on a firm solid base/floor.
 - It should not touch the wall or kitchen units standing next to it.
 - Check the accessories on the interior of the appliance, they should be placed correctly in their positions; also check, bottles, tins and other vessels are not touching each other causing rattling and /or vibrations.

Exploded View



Parts List					
ILLUS.NO	Description	Part No.	ILLUS.NO	Description	Part No.
1	Compressor	AS43U6	26	Door	BC161.02-00
2	Compressor fixing screws	12408016024	27	Door gasket	16401450476
3	Capillary	BC161.04.01-4	28	Bottom hinge	BC-161.08-00
4	Filter	17111150001	29	Bottom hinge fixing screw	12408036016
5	Condenser	17312170001	30	Inner water drain pan	BC161.13-00
6	Evaporator fixing support	16362040162	31	Anti - vibration rubber board	BC161A.01-03
7	Evaporator	17412031610	32	Bottom board	BC161A.10-01
8	Evaporator support	16408040161	33	Outer water drain pan screws	12401044010
9	Inset ring	16408040161	34	Outer water drain pan	BC161.00-06
10	Evaporator fan motor	17701131803	35	Whorl pole	BC161.07-02
11	Fan support	BC161.03-01	36	Upper hinge	BC161.07-01
12	Digital display circuit	17505080703	37	Circuit box	16316040001
13	Digital display circuit box	16306020002		Circuit box cover	16316040002
	Digital display circuit box cover	16351031216		Circuit	38610100002
	Digital display panel	38610100002	38	Condenser fixing screws	12405034010
14	Door lock	12546100952	39	Electromotor	30760-4
15	Digital display framework	BC161.011-01	40	Condenser fan support	BC161A.09-01
16	Cold cube	BC161A.01-00	41	Condenser fan support screws	12405034010
17	K-line	22617170001	42	Fan leaf	73806-2-3634
18	K-line fixer	16357080001	43	Upper fixing support	BC161A.00-2
19	Upper shelf	BC161.05	44	Main working-house cover	BC161A.00-4

20	Cupules	BC161A.01-02	45	Power cord	17664030008
21	Cupules support	BC161A.01-01	46	Power cord clamp	16357030001
22	Glass shelf	BC161A.00-1	47	Bottom fixing support	BC121.05-03
23	Wheel	BD121.05-03	48	Cord Outlet washer	16349120001
24	Slide	BC161A.02	49	Liquid tank	17112150001
25	Crisper	BC-161A.10			