

This Owner's Manual is provided and hosted by [Appliance Factory Parts](#).



Blackstone 1814 Owner's Manual

[Shop genuine replacement parts for Blackstone 1814](#)



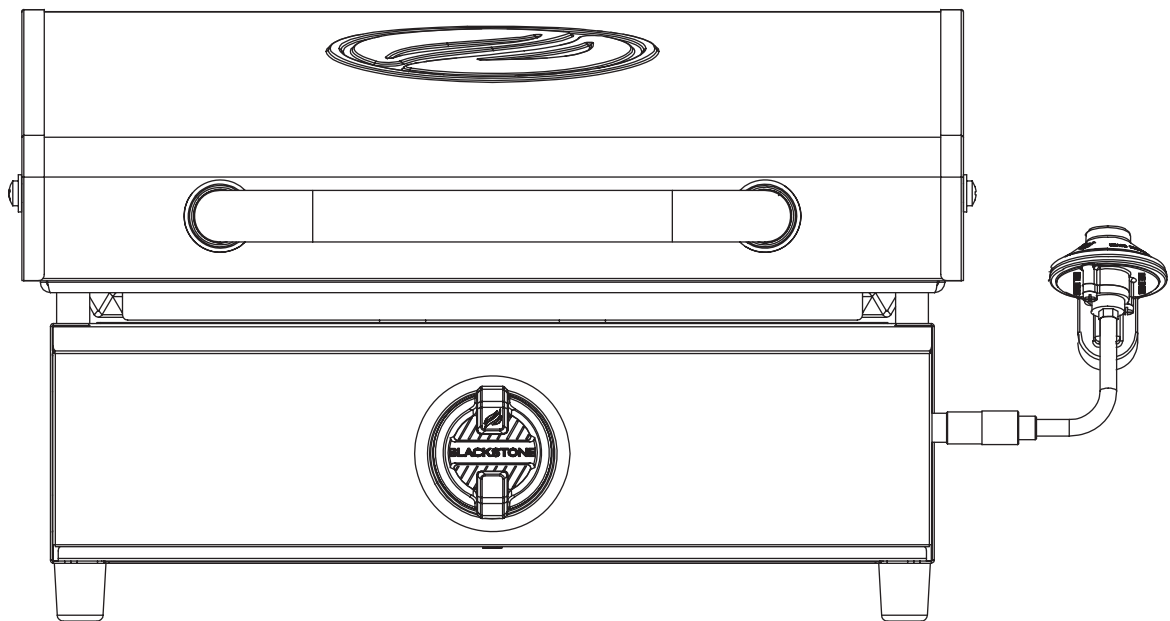
[Find Your Blackstone Grill Parts - Select From 9 Models](#)

----- Manual continues below -----

17" TABLETOP GRIDDLE

Model 1814

CONFORMS TO ANSI STD. Z 21.89:2017
CERTIFIED TO CSA STD. 1.18-2017
OUTDOOR COOKING SPECIALTY GAS APPLIANCES.





⚠ WARNING

INSTALLER/ASSEMBLER:

Leave these instructions with consumer.

⚠ WARNING

CONSUMER:

Retain this manual for future reference.

⚠ WARNING

This instruction manual contains important information necessary for the proper assembly and safe use of the appliance.

⚠ WARNING

Read all warnings and instructions before assembling the appliance.

⚠ WARNING

Follow all warnings and instructions while using the appliance.

⚠ WARNING

This product may expose you to chemicals including Di(2-ethylhexyl)phthalate (DEHP), which are known to the State of California to cause cancer and birth defects or other reproductive harm. For more information, go to www.P65Warnings.ca.gov.

⚠ DANGER

Do not store or use gasoline or other flammable liquids or vapors in the vicinity of this or any other appliance.

⚠ DANGER

An LP cylinder not connected for use shall not be stored in the vicinity of this or any other appliance.

⚠ DANGER

Never operate this appliance unattended.

⚠ DANGER

When cooking with oil or grease, have a type BC or ABC fire extinguisher readily available.

⚠ DANGER

IF YOU SMELL GAS:

1. Shut off gas to appliance.
2. Extinguish any open flame.
3. Open lid.
4. If odor continues, keep away from appliance and immediately call your gas supplier or your fire department.

Failure to follow these instructions could result in fire or explosion which could cause property damage, personal injury or death.

⚠ DANGER

• **NEVER** operate this appliance within 10ft (3.0 m) of any structure, combustible material or other gas cylinder.

• **NEVER** operate this appliance within 25 ft (7.5 m) of any flammable liquid.

Failure to follow these instructions may result in fire, explosion or burn hazard which could cause property damage, personal injury or death.



TABLE OF CONTENTS

It is the consumer's responsibility to see that the unit is properly assembled, installed, and maintained. Failure to follow the instructions in this manual could result in bodily injury and/or property damage.

Please read all sections of this manual carefully before assembly. Retain this manual for future reference.

CONTENTS

- 01. REGISTER YOUR PRODUCT 01**
- 02. FOR YOUR SAFETY 02**
 - Section 01. General Safety 02
 - Section 02. Griddle Safety Instructions 04
- 03. ASSEMBLY GUIDE 06**
- 04. FUEL | 16.4 OZ. PROPANE BOTTLE 12**
 - Section 01. 16.4 oz. Liquid Propane Bottle 12
- 05. CARE & MAINTENANCE 14**
 - Section 01. General Care 14
 - Section 02. Griddle Seasoning Instructions 16
 - Section 03. Cleaning the Burner Assembly 18
 - Section 04. Cleaning Your Griddle 20
- 06. IGNITION | PIEZO-ELECTRIC 22**
- 07. TROUBLESHOOTING 23**
 - Section 01. Piezo-Electric Ignition Troubleshooting 23
 - Section 02. Griddle Gas Flow 24
- 08. F.A.Q. 26**
- 09. WARRANTY 27**

SAFETY ALERT KEY

Read and follow all the notices throughout the manual.

DANGER

Indicates an imminently hazardous situation which, if not avoided, may result in death or serious injury.

WARNING

Indicates the possibility of serious bodily injury if the instructions are not followed.

CAUTION

Indicates a potentially hazardous situation which, if not avoided, may result in minor or moderate injury.



⚠ WARNING

Keep children and pets away from appliance at all times.

This appliance is not intended for use by children.

Close supervision is necessary when any appliance is used by or near children.

⚠ WARNING

This appliance is not intended for and should never be used as a heater.

Do not use for purposes other than intended.

⚠ WARNING

The use of alcohol, prescription or non-prescription drugs may impair the consumer's ability to properly assemble or safely operate the appliance.

⚠ CAUTION

For residential and household use only. **DO NOT** use for commercial cooking.

FOR YOUR SAFETY

Before proceeding, make certain that you understand the FOR YOUR SAFETY section of this manual. Hazardous fire or explosion may result if instructions are ignored.

Section 01

GENERAL SAFETY

PRECAUTIONS

- Do not use this appliance under overhead combustible surfaces.
- When not in use, turn OFF appliance by rotating the appliance control knobs to the OFF position and closing the fuel valve.

If the information in the above statements is not followed exactly, serious injuries, fire, or death may occur.

SAFETY TIPS

- Do not place empty cooking vessel on the appliance while in operation. Use caution when placing anything in cooking vessel while the appliance is in operation.
- Do not move the appliance when in use. Allow the cooking vessel to cool to 115°F (45 °C) before moving or storing.
- Use long-handled barbecue utensils and oven mitts to protect against burns and splatters.

If grease or other hot material drips from appliance onto valve, hose or regulator:

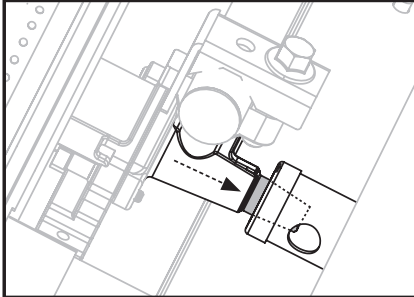
01. Turn off gas supply immediately.
02. Determine the cause and correct it.
03. Clean and inspect valve, hose and regulator before continuing.
04. Perform a leak test. (Please reference the Leak Test Instructions in the Fuel chapter.)

For problems with this appliance, please reference the Troubleshooting chapter.



⚠ WARNING

Ensure that the fuel nozzle is housed within the burner opening.



⚠ WARNING

Adding a large amount of cold or frozen food (or food with significant water content) to a hot griddle may cause griddle to warp.

Section 02

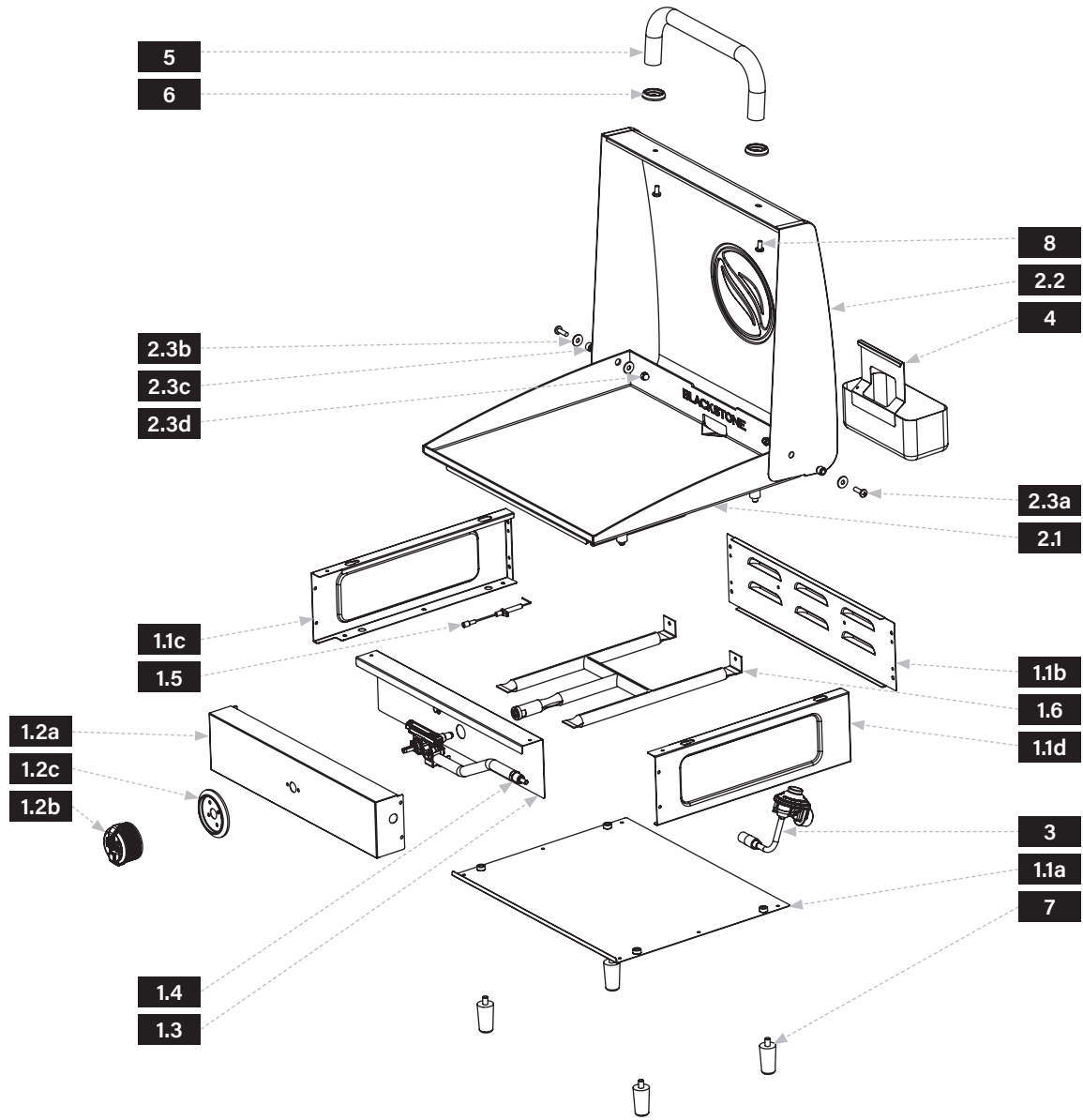
GRIDDLE SAFETY INSTRUCTIONS

- Maximum weight on side shelf (if present) is 10 lbs.
- The grease tray must be removed and emptied after each use.
- Do not remove grease tray until griddle has completely cooled.
- Do not obstruct the flow of combustion and ventilation air.
- Clean griddle often, preferably after each use. (Please reference the Cleaning Your Griddle section of the Care & Maintenance chapter.)



ASSEMBLY GUIDE

EXPLODED VIEW



PARTS	QTY
1.1a Bottom panel	1
1.1b Back panel	1
1.1c Left panel	1
1.1d Right panel	1
1.2a Control panel	1
1.2b Control knob	1

PARTS	QTY
1.2c Control knob bezel	1
1.3 Baffle panel	1
1.4 Gas rail	1
1.5 Ignition needle	1
1.6 H burner	1
2.1 Griddle top	1

PARTS	QTY
2.2 Hood	1
2.3a M6 screws	2
2.3b Gaskets	4
2.3c Axle sleeves	2
2.3d Cap nuts	2



⚠ WARNING

The manufacturer has made every effort to eliminate any sharp edges. However, you should handle all components with care to avoid accidental injury.

Some parts may contain sharp edges, especially as noted in these instructions. Wear protective gloves if necessary.

⚠ WARNING

The use of alcohol, prescription or non-prescription drugs may impair the consumer's ability to properly assemble or safely operate the appliance.

⚠ CAUTION

Two people are recommended for the assembly of this product.

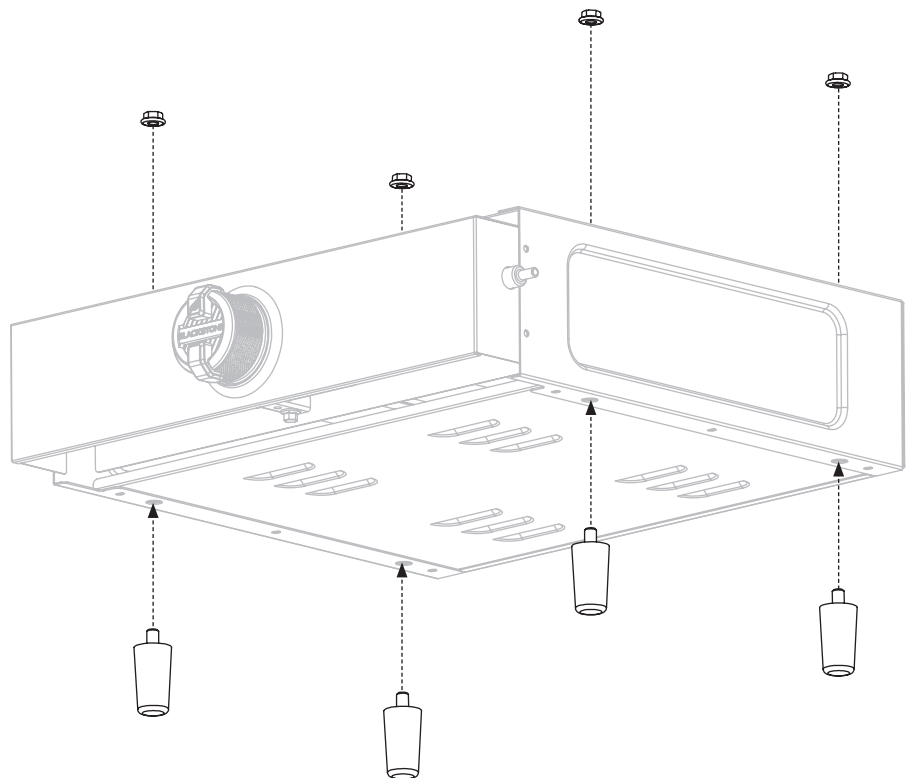
ASSEMBLY INSTRUCTIONS

Please read all instructions thoroughly before proceeding. Make sure all the plastic packing material is removed before assembling

Find a large, clean area to assemble your griddle. Please refer to the parts list and assembly diagrams as necessary.

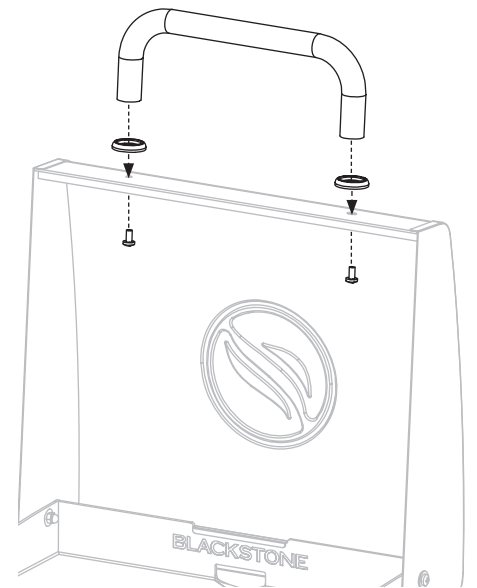
Griddle assembly involves large components; therefore, **it is advised to have two people assemble the unit.**

STEP 01 Place griddle on a smooth flat surface and attach the four (4) griddle feet and the four (4) M8 flange nuts to the bottom of the griddle in the pre-threaded holes.

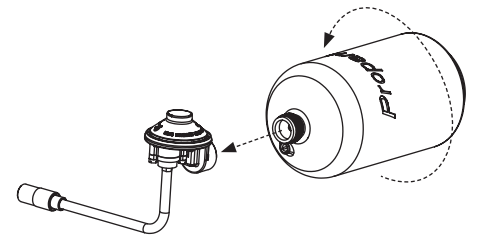




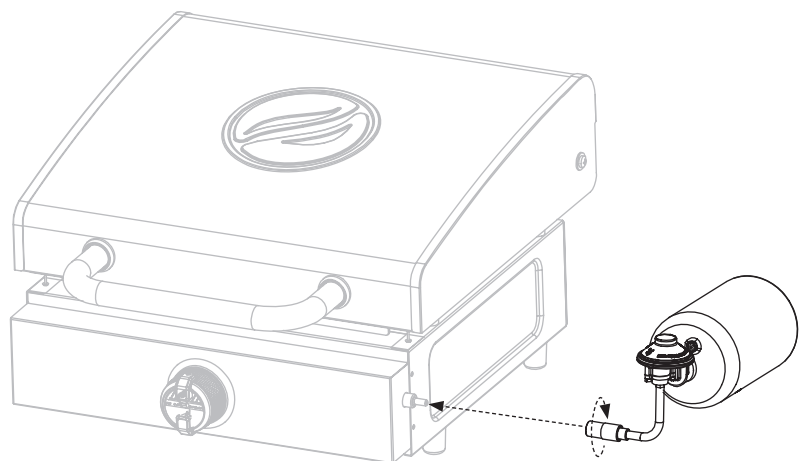
STEP 04 Attach the handle to the hood with two (2) grommets and two (2) M6x12 screws.



STEP 05 Screw in the LP bottle into the gas regulator, turning the tank clockwise.



STEP 06 Insert the gas regulator and tank into the gas line of the griddle. Turn the collar of the gas regulator clockwise to secure it to the fuel line.





⚠ WARNING

The LP gas supply cylinder must be disconnected when this appliance is not in use.



FUEL | 16.4 OZ. PROPANE BOTTLE

Section 01

16.4 OZ LIQUID PROPANE BOTTLE

LP (LIQUEFIED PETROLEUM GAS)

LP gas is nontoxic, odorless and colorless when produced. For safety and easy detection, LP gas has been given an odor similar to rotten cabbage.

LP gas is highly flammable and may ignite unexpectedly when mixed with air.

DISCONNECTING THE 16.4 OZ LP BOTTLE

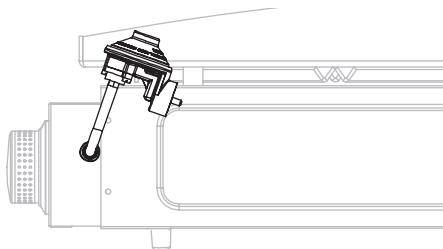
01. Griddle must be off and cool.
02. Disconnect regulator from the gas line by unscrewing the collar.
03. Unscrew LP bottle from the regulator.

16.4 OZ LP BOTTLE REQUIREMENTS

Use only a 3.8 x 7.8 inch, 16.4oz propane bottle.

LP bottle must be constructed and marked in accordance with the specifications for LP bottles, U.S. Department of Transportation (DOT) or the Standard for Cylinders, Spheres and Tubes for the Transportation of Dangerous Goods, CAN/CSA-B339.

Only cylinders marked "propane" should be used.



PLEASE NOTE: The gas regulator is intended to be used at an angle towards the rear of the griddle as shown above.



⚠ WARNING

When not in use, turn unit controls and gas source OFF.

⚠ WARNING

This appliance will be hot during and after use. Use insulated oven mitts or gloves for protection from hot surfaces or splatter from cooking liquids.

⚠ CAUTION

NEVER handle hot parts with unprotected hands.

CARE & MAINTENANCE

Regularly clean your appliance between uses, especially after extended periods of storage. In order to extend the life and condition of unit, follow best practices detailed in this manual.

Section 01

GENERAL CARE

VALVE CHECK

Ensure gas is off at the supply shut off valve before checking appliance valves. Knobs must be locked in OFF position.

01. To check valves, push in knobs and release. Knobs should spring back.
02. If knobs do not spring back, replace valve assembly before using appliance.
03. Rotate knobs to LOW position then turn back to OFF position. Knobs should turn smoothly.

GENERAL CLEANING

Ensure that the appliance and its components are sufficiently cool before cleaning.

- Be sure to keep the ventilation opening(s) of the cylinder enclosure free and clear from debris.
- Baked-on grease deposits may require the use of an abrasive plastic cleaning pad. Use only in direction of brushed finish to avoid damage.
- DO NOT use abrasive pad on areas with graphics.
- If a bristle brush is used to clean any of the cooking surfaces, ensure no loose bristles remain on cooking surfaces prior to cooking.



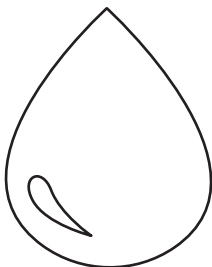
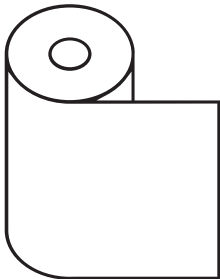
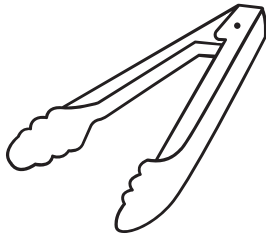
CAUTION

Small variations in manufacturing and raw materials can cause some griddles to be slightly warped. A slight warp will disappear when the griddle is heated in preparation for cooking.

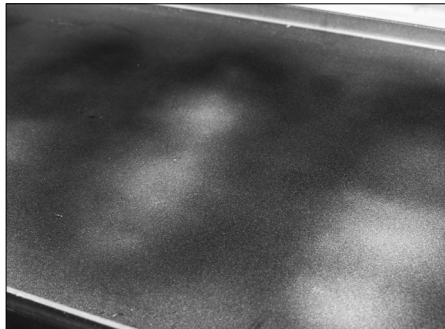
Section 02

GRIDDLE SEASONING INSTRUCTIONS

For best results, we recommended seasoning the griddle before cooking on griddle top.



STEP 01 Make sure griddle top is wiped clean of debris. (Please reference the Cleaning Your Griddle section)



STEP 02 Ignite griddle by following lighting instruction (Please reference the Ignition chapter). Turn all knobs to set burners to high. Wait for approximately 10–15 minutes until your griddle top starts to discolor.



STEP 03 Pour a light amount of cooking oil on griddle top. Any cooking oil will work. The amount of oil used depends on the size of griddle (refer to the measurement chart).

TOOLS NEEDED: Cooking Tongs, Paper Towels, and Cooking Oil



Section 03

CLEANING THE BURNER ASSEMBLY

Unit burners vary, however these instructions apply to all units. Clean burner assembly and check burner for damage. If any large cracks or holes are found, replace burner.

STEP 01 Turn gas OFF at control knobs and gas supply. Remove griddle top.



STEP 02 Carefully detach and remove the burner.

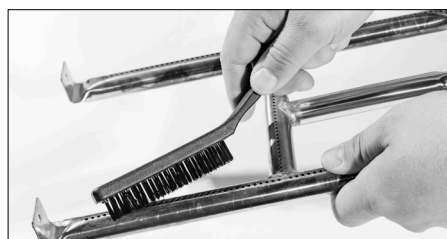


STEP 03 Run a narrow bottle brush through each burner tube several times. (Do not use wire brushes)

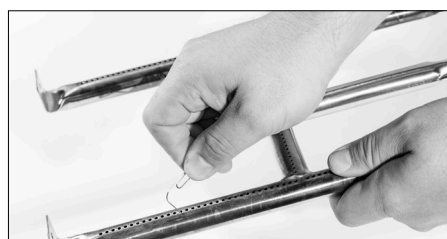
Additional Methods Include:

a Run a stiff wire bent into a small hook through each burner tube several times.

b Use an air hose to force air into burner tube and out burner ports. Check that air blows through each hole. (Wear eye protection)



STEP 04 Brush entire outer surface of burner to remove grime.



STEP 05 Clean any blocked ports with stiff wire such as an open paper clip. Then, carefully replace burners and reattach. Burner tubes must be reengaged with the valve openings.



⚠ DANGER

DO NOT place flammable items on side shelves near the griddle. Aerosol containers are particularly hazardous because **they can overheat and result in an explosion, fire, severe personal injury, or death.**

⚠ WARNING

DO NOT place oily or greasy towels near the griddle unit as they can spontaneously combust.

Section 04

CLEANING YOUR GRIDDLE

STORING YOUR GRIDDLE

Store griddle in a cool, dry location. Always cover griddle if stored outdoors. Choose from a variety of griddle covers offered by Blackstone.

When protecting griddle with soft cover, use the “tenting” method to prevent water from accumulating on griddle top. “Tenting” involves placing an object (a bowl, tennis ball or PVC pipe) beneath soft cover in the center of griddle in order to allow water to slide off. “Tenting” helps prevent rust.

FIRST TIME CLEANING

GRIDDLE COOKING SURFACE:

Blackstone Griddles are pre-treated with cooking oil to prevent rust and damage during shipping. For first time use, wash griddle with hot, soapy water.

THIS IS THE ONLY TIME YOU SHOULD USE SOAP ON THE GRIDDLE COOKING SURFACE.

Rinse and dry completely. Proceed with seasoning instructions. (Please reference the Griddle Seasoning Instructions section)

TURNING GRIDDLE OFF

Turn all knobs to OFF position. Turn LP cylinder OFF by turning hand-wheel clockwise to a full stop.



⚠ WARNING

Do not lean over griddle while lighting.

⚠ WARNING

If ignition does NOT occur in 5 seconds, turn burner controls OFF, wait 5 minutes and repeat lighting procedure.

If burner does not ignite with open valve, gas will continue to flow out of burner and could accidentally/inadvertently ignite with risk of injury.

IGNITION | PIEZO-ELECTRIC

GRIDDLE OPERATING INSTRUCTIONS

For proper ignition and operation of the griddle follow the steps below.



STEP 01 Make sure LP tank is properly connected to unit. Turn gas ON at LP cylinder by taking 20 seconds to turn knob halfway.



STEP 02 Push in control knob to start gas flowing, then turn control knob counter-clockwise to activate starter.



STEP 03 Adjust temperature to desired level.

If ignition does NOT occur in 5 seconds, turn burner control OFF, wait 5 minutes and repeat lighting procedure.

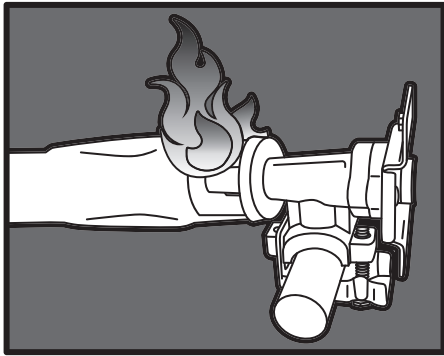
For additional support, see [youtube.com/blackstonegriddles](https://www.youtube.com/blackstonegriddles)



Section 02 GRIDDLE GAS FLOW

SYMPTOMS

- 01. A flame is coming out of the air gate.



POSSIBLE CAUSES

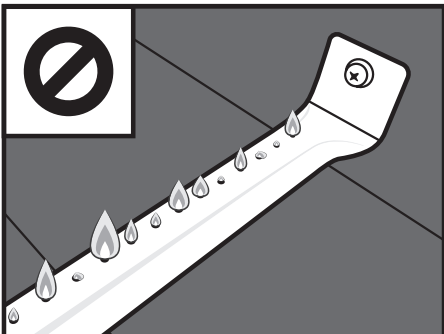
- 01. Something is blocking the venturi in the burner tube. This is not allowing the propane to flow through the burner, causing the flame to back out the air gate.

SOLUTION

Clean the burner assembly to remove the obstruction. (Please reference the Cleaning Your Griddle section of the Care & Maintenance chapter.)

SYMPTOMS

- 01. Burner flames are yellow or irregular.



POSSIBLE CAUSES

- 01. Something is blocking the air gate for the burner. This is blocking oxygen from mixing with the propane correctly to get healthy flames.

SOLUTION

Check the air gates in your burner. If you have adjustable air shutters over your air gates, make sure that they are completely open. If your burners have bug shields, clean any spider webs, soot, or debris off the bug shield. Clean any other obstructions out of air gates.



TECHNICAL SUPPORT. Scan QR code for more videos or visit the Blackstone YouTube channel at [youtube.com/blackstonegriddles](https://www.youtube.com/blackstonegriddles)



F.A.Q.

Q. What types of cooking oils can I use to season my griddle?

A. We recommend the following oils for seasoning purposes: olive oil, vegetable oil, canola oil, coconut oil, flax seed oil and sesame oil. (Please reference the Griddle Seasoning Instructions section of the Care & Maintenance chapter.)

Q. Can I use dish detergent to clean my griddle?

A. Grease cutting dish detergents will erase the seasoning on the griddle and should not be used after griddle is seasoned. For tough spots use table salt and hot water and always coat with a thin layer of oil once you are finished cleaning. (For griddle cleaning instructions, please reference the Cleaning Your Griddle section of the Care & Maintenance chapter.)

Q. Why does my griddle surface look dull and dry instead of shiny and black?

A. Seasoning is a continuous process. Over time and the more often you use your griddle top, the more shiny, black and non-stick it will become.

Q: Can I cut directly on the griddle top?

A: Yes, you can. Cutting on the griddle top will not harm it.

Q. What if my griddle starts to rust?

A. If rust appears on the griddle surface, rub it off with steel wool or low grit sandpaper and re-season the surface ([youtube.com/watch?v=thPE2lgnSil](https://www.youtube.com/watch?v=thPE2lgnSil)). Take care to always completely dry your griddle before storing and keep away from rain and sprinklers. It is also important to keep your griddle covered. (For proper storage techniques, please reference the General Care section of the Care & Maintenance chapter.)

CUSTOMERS IN HUMID OR COASTAL CLIMATES MAY REQUIRE MORE FREQUENT SEASONINGS AND THE USE OF HEAVIER COOKING OILS TO AVOID RUSTING AND CORROSION.

For more FAQ's visit blackstoneproducts.com/faq

OUR CUSTOMER SERVICE STAFF IS HERE TO HELP YOU!

For questions regarding your Blackstone product, or if you need replacement parts, please register your griddle at blackstoneproducts.com/register and contact us at:

PHONE:
435-252-3030 ext 1

EMAIL:
support@blackstoneproducts.com

ONLINE:
blackstoneproducts.com/pages/support

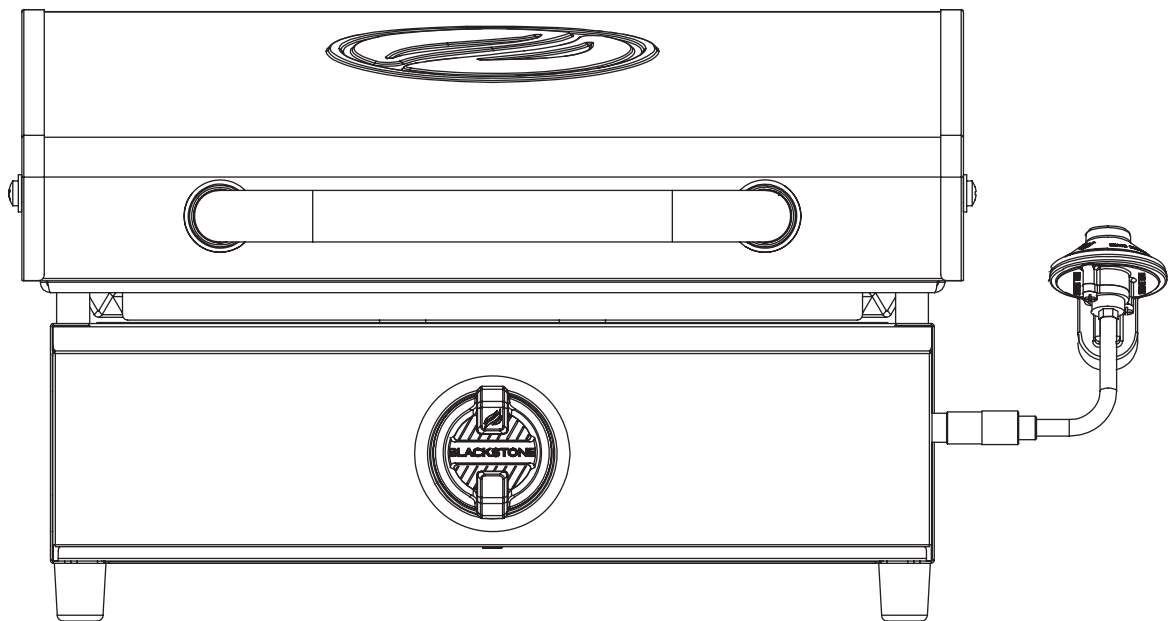
We are pleased to help you with any questions concerning griddle use, replacement parts, or your warranty.

Our customer service staff can be reached Monday through Friday from 7:00 am to 5:00 pm Mountain Standard Time.

PLAQUE DE CUISSON DE 17 PO

Modèle 1814

CONFORME À ANSI STD. Z 21.89:2017
CERTIFIÉ À CSA STD. 1.18-2017
APPAREILS À GAZ SPÉCIAUX POUR CUISINER À L'EXTÉRIEUR.





⚠ ATTENTION

**INSTALLATEUR/
ASSEMBLEUR:**

Laissez ces instructions au consommateur.

⚠ ATTENTION

CONSOMMATEUR:

Conservez ce manuel pour vous y référer ultérieurement.

⚠ ATTENTION

Ce manuel d'instructions contient des informations importantes nécessaires pour un assemblage correct et une utilisation sûre de l'appareil.

⚠ ATTENTION

Lisez tous les avertissements et instructions avant d'assembler l'appareil.

⚠ ATTENTION

Suivez tous les avertissements et instructions lors de l'utilisation de l'appareil.

⚠ ATTENTION

Ce produit peut vous exposer à des produits chimiques, notamment le phtalate de Di(2-éthylhexyle) (DEHP), qui sont connus de l'État de Californie pour provoquer le cancer et des malformations congénitales ou d'autres troubles de la reproduction. Pour plus d'informations, rendez-vous sur www.P65Warnings.ca.gov.

⚠ DANGER

Ne pas stocker ni utiliser d'essence ou d'autres liquides ou vapeurs inflammables à proximité de cet appareil ou de tout autre appareil.

⚠ DANGER

Une bouteille de GPL non connectée pour utilisation ne doit pas être stockée à proximité de cet appareil ou de tout autre appareil.

⚠ DANGER

N'utilisez jamais cet appareil sans surveillance.

⚠ DANGER

Lorsque vous cuisinez avec de l'huile ou de la graisse, ayez un extincteur de type BC ou ABC à portée de main.

⚠ DANGER

SI VOUS SENTEZ DU GAZ:

1. Coupez le gaz à l'appareil.
2. Éteignez toute flamme nue.
3. Ouvrez le couvercle.
4. Si l'odeur persiste, éloignez-vous de l'appareil et appelez immédiatement votre fournisseur de gaz ou votre service d'incendie.

Le non-respect de ces instructions peut entraîner un incendie ou une explosion pouvant entraîner des dommages matériels, des blessures corporelles ou la mort.

⚠ DANGER

- N'utilisez jamais cet appareil à moins de 3 m (10 pi) de toute structure ou matériau combustible ou d'une autre bouteille de gaz.
 - Ne faites jamais fonctionner cet appareil à moins de 7,5 m (25 pi) de tout liquide inflammable.
- Si ces précautions ne sont pas respectées, cela pourrait provoquer un incendie, une explosion ou des brûlures pouvant causer des dommages matériels, des blessures ou la mort.



TABLE DES MATIÈRES

Il incombe au consommateur de s'assurer que l'unité est correctement assemblée, installée et entretenue. Si vous ne suivez pas les instructions de ce manuel, vous risquez des blessures corporelles et/ou des dégâts matériels.

lisez attentivement ce manuel avant l'assemblage. Conservez ce manuel pour vous y référer ultérieurement.

CONTENU

01. ENREGISTRER VOTRE PRODUIT	01
02. POUR VOTRE SÉCURITÉ	02
Section 01. Sécurité générale	02
Section 02. Instructions de sécurité pour la plaque de cuisson	04
03. GUIDE DE MONTAGE	06
04. CARBURANT BOUTEILLE DE PROPANE DE 485 ML (16,4 OZ)	12
Section 01. Bouteille de propane liquid de 485 ml (16,4 oz)	12
05. ENTRETIEN ET MAINTENANCE	14
Section 01. Entretien général	14
Section 02. Instructions d'assaisonnement plaque chauffante	16
Section 03. Nettoyage du brûleur	18
Section 04. Nettoyage de votre plaque chauffante	20
06. ALLUMAGE PIÉZO-ÉLECTRIQUE	22
07. DÉPANNAGE	23
Section 01. Dépannage de l'allumage piézo-électrique	23
Section 02. Flux du gas de la plaque chauffante	24
08. FAQ	26
09. GARANTIE	27

MESSAGES RELATIFS À LA SÉCURITÉ

Lisez et suivez tous les avertissements qui se trouvent dans ce manuel.

DANGER

Indique une situation extrêmement dangereuse qui, si elle n'est pas évitée, peut entraîner des blessures graves, voire mortelles.

ATTENTION

Indique la possibilité de blessures corporelles graves si les instructions ne sont pas suivies.

MISE EN GARDE

Indique une situation potentiellement dangereuse qui, si elle n'est pas évitée, peut entraîner des blessures légères ou modérées.



⚠ ATTENTION

Gardez en tout temps les enfants et les animaux domestiques à distance.

This appliance is not intended for use by children.

Close supervision is necessary when any appliance is used by or near children.

⚠ ATTENTION

Cet appareil n'est pas destiné à être un appareil de chauffage et ne doit jamais être utilisé comme tel.

Ne l'utilisez pas à des fins autres que celles prévues.

⚠ ATTENTION

L'utilisation d'alcool, de médicaments sur ordonnance ou en vente libre peut nuire à la capacité du consommateur d'assembler correctement ou d'utiliser cet appareil en toute sécurité.

⚠ MISE EN GARDE

Pour usage résidentiel et domestique seulement. Ne pas utiliser à des fins commerciales.

POUR VOTRE SÉCURITÉ

Avant de poursuivre, assurez-vous de bien comprendre la section « POUR VOTRE SÉCURITÉ » de ce manuel. Le non-respect des instructions peut provoquer un incendie ou une explosion.

Section 01

SÉCURITÉ GÉNÉRALE

PRÉCAUTIONS

- Ne pas utiliser cet appareil sous des surfaces combustibles.
- Lorsqu'il n'est pas utilisé, éteignez l'appareil en tournant les boutons de commande de l'appareil en position d'arrêt et en fermant le robinet de carburant.

Si les informations contenues dans les avertissements ci-dessus ne sont pas suivies à la lettre, des blessures graves, un incendie ou la mort pourraient survenir.

CONSEILS DE SÉCURITÉ

- Ne placez pas de récipient de cuisson vide sur l'appareil pendant son fonctionnement. Soyez prudent lorsque vous placez quoi que ce soit dans un récipient de cuisson pendant que l'appareil fonctionne.
- Ne déplacez pas l'appareil pendant son utilisation. Laissez le récipient de cuisson refroidir à 45 ° C (115 ° F) avant de le déplacer ou de le ranger.
- Utilisez des ustensiles de barbecue à long manche et des gants de cuisine pour vous protéger des brûlures et des éclaboussures.

Si de la graisse ou d'autres matières chaudes coulent de l'appareil sur la vanne, le tuyau ou le régulateur:

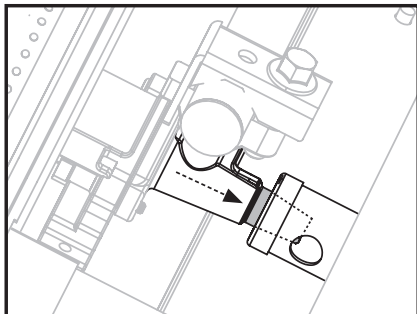
01. Fermez immédiatement l'alimentation en gaz.
02. Déterminez la cause et corrigez-la.
03. Nettoyez et inspectez la vanne, le tuyau et le régulateur avant de continuer.
04. Effectuez un test de fuite. (Veuillez vous référer aux instructions de test de fuite dans le chapitre Carburant.)

Pour les problèmes appareil, veuillez vous référer au chapitre Dépannage.



ATTENTION

Assurez-vous que la buse de carburant est logée dans l'ouverture du brûleur.



ATTENTION

L'ajout d'une grande quantité d'aliments froids ou congelés (ou d'aliments avec une teneur en eau importante) sur une plaque de cuisson chaude peut la déformer.

Section 02

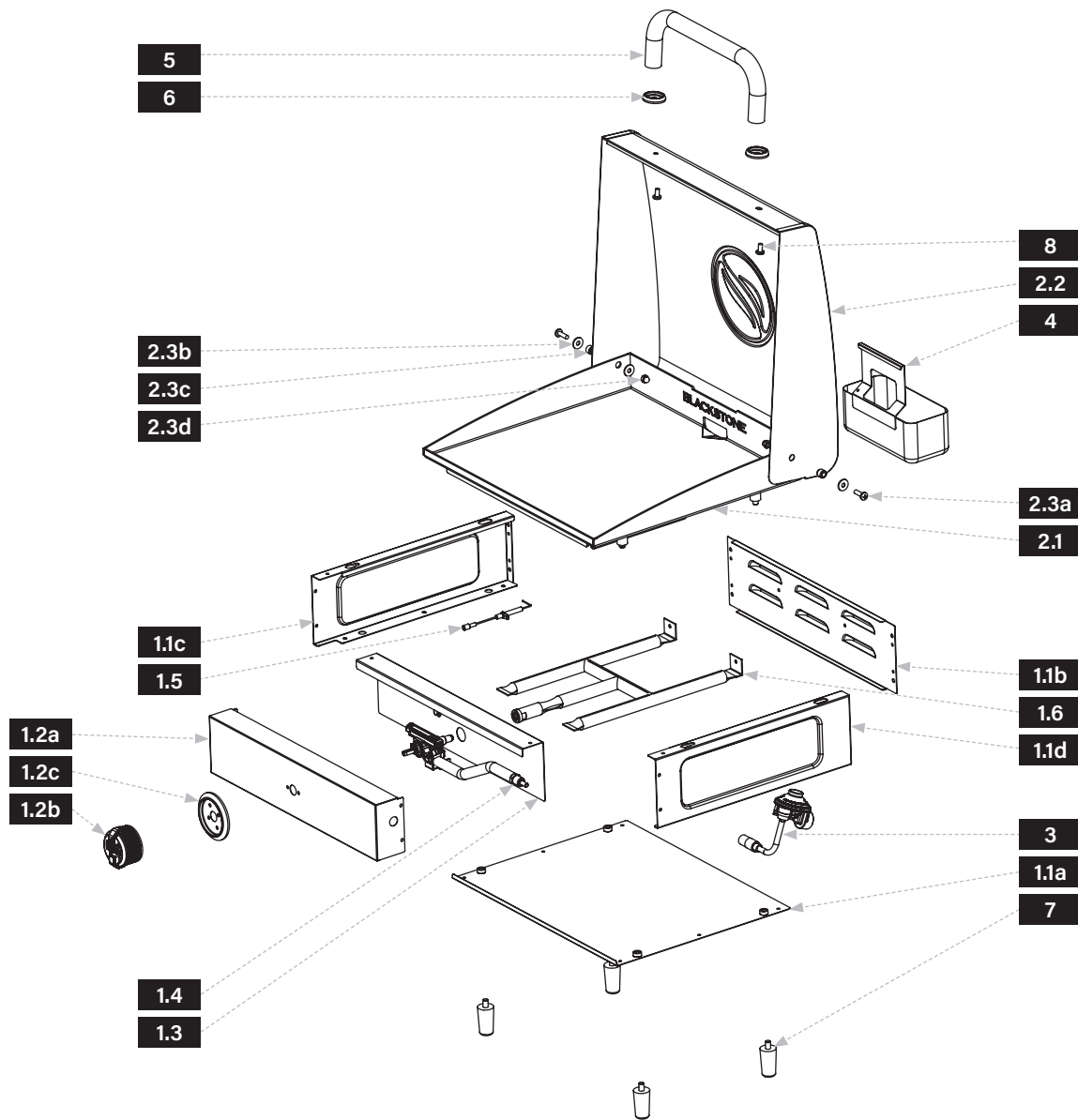
INSTRUCTIONS DE SÉCURITÉ POUR LA PLAQUE DE CUISSON

- Maximum weight on side shelf
(Le poids maximum que peut supporter l'étagère latérale (le cas échéant) est de 4,5 kg (10 lb).
- Le bac à graisse doit être retiré et vidé après chaque utilisation.
- Ne pas retirer le bac à graisse avant que la plaque de cuisson ne soit complètement refroidie.
- Ne pas obstruer le flux d'air de combustion et de ventilation.
- Nettoyez régulièrement la plaque de cuisson, de préférence après chaque utilisation. (Veuillez vous référer à la section Instructions de test de fuite du chapitre Carburant.)



GUIDE DE MONTAGE

VUE ÉCLATÉE



PIÈCES	QTÉ
1.1a Panneau du bas	1
1.1b Panneau arrière	1
1.1c Panneau de gauche	1
1.1d Panneau droit	1
1.2a Panneau de configuration	1
1.2b Bouton de controle	1

PIÈCES	QTÉ
1.2c Lunette du bouton de commande	1
1.3 Panneau déflecteur	1
1.4 Rampe à gaz	1
1.5 Aiguille d'allumage	1
1.6 Brûleur H	1
2.1 Plaque chauffante	1

PIÈCES	QTÉ
2.2 Capuche	1
2.3a Vis M6	2
2.3b Joints	4
2.3c Manchons d'essieu	2
2.3d Écrous borgnes	2



⚠ ATTENTION

Le fabricant a tout mis en œuvre pour éliminer les bords tranchants. Cependant, vous devez manipuler tous les éléments avec soin pour éviter les blessures accidentelles.

Certaines pièces peuvent comporter des bords tranchants, notamment celles indiquées dans ces instructions. Portez des gants de protection si nécessaire.

⚠ ATTENTION

L'utilisation d'alcool, de médicaments sur ordonnance ou en vente libre peut nuire à la capacité du consommateur d'assembler correctement ou d'utiliser cet appareil en toute sécurité.

⚠ MISE EN GARDE

Il est recommandé de monter ce produit à deux personnes.

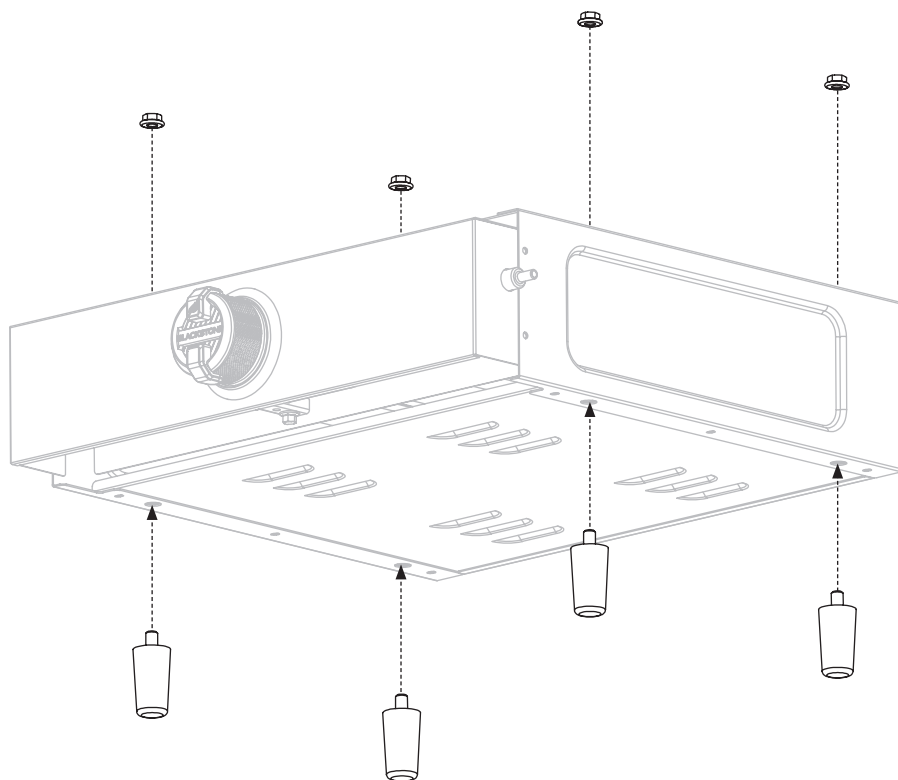
INSTRUCTIONS DE MONTAGE

Veillez lire attentivement toutes les instructions avant de continuer. Assurez-vous que tout le matériel d'emballage en plastique est enlevé avant de procéder à l'assemblage.

Trouvez une grande surface propre pour assembler votre gril. Veuillez vous référer à la liste des pièces et aux schémas d'assemblage si nécessaire.

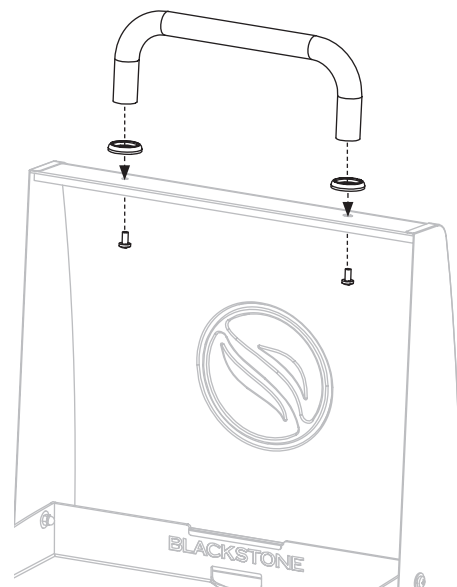
L'assemblage de le gril implique de gros éléments; **il est donc conseillé d'assembler l'appareil à deux personnes.**

ÉTAPE 01 Placez la plaque chauffante sur une surface plane et lisse et fixez les quatre (4) pieds de plaque chauffante et les quatre (4) écrous à bride M8 au bas de la plaque chauffante dans les trous pré-filetés.

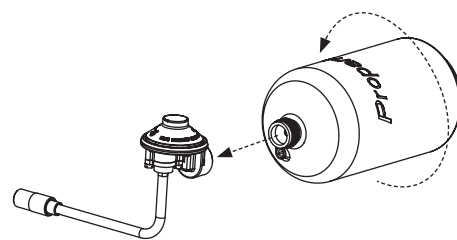




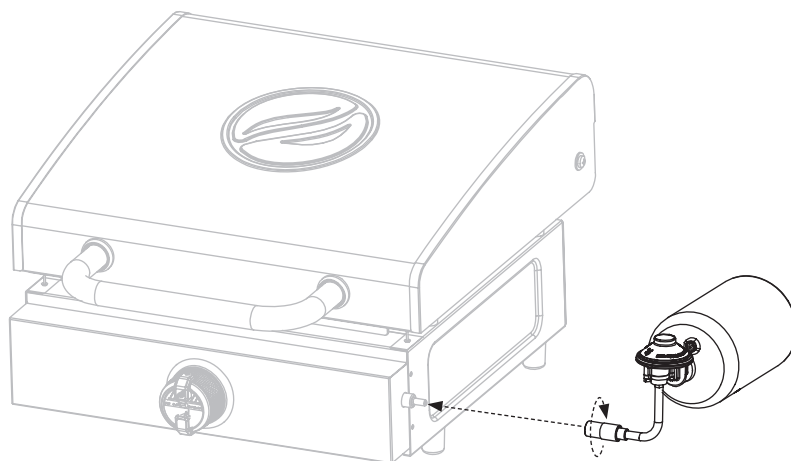
ÉTAPE 04 Fixez la poignée à la hotte avec deux (2) œillets et deux (2) vis M6x12.



ÉTAPE 05 Vissez la bouteille de GPL dans le régulateur de gaz, en tournant le réservoir dans le sens des aiguilles d'une montre.



ÉTAPE 06 Insérez le régulateur de gaz et le réservoir dans la conduite de gaz de la plaque chauffante. Tournez le collier du régulateur de gaz dans le sens des aiguilles d'une montre pour le fixer à la conduite de carburant.





⚠ ATTENTION

La bouteille d'alimentation en GPL doit être déconnectée lorsque cet appareil n'est pas utilisé.



CARBURANT | BOUTEILLE DE PROPANE DE 485 ML (16,4 OZ)

Section 01

BOUTEILLE DE PROPANE LIQUIDE DE 485 ML (16,4 OZ)

GPL (GAZ DE PÉTROLE LIQUÉFIÉ)

Le GPL est non toxique, inodore et incolore lorsqu'il est produit. Pour des raisons de sécurité et pour faciliter sa détection, le GPL est doté d'une odeur similaire à celle du chou pourri.

Le gaz de pétrole liquéfié est hautement inflammable et peut s'enflammer de manière inattendue lorsqu'il est mélangé à l'air.

EXIGENCES RELATIVES AUX BOUTEILLES DE GPL DE 485 ML (16,4 OZ)

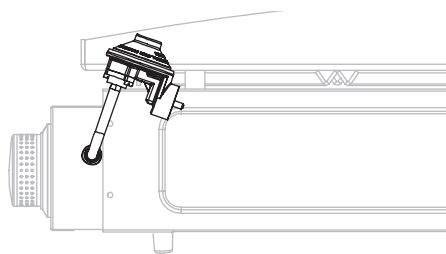
Utilisez uniquement une bouteille de propane de 7,6 x 17,8 cm et de 485 ml (16,4 oz).

Les bouteilles de GPL doivent être construites et classées conformément aux caractéristiques pour les bouteilles de GPL du département du transport des États-Unis (US Department of Transportation, DOT) ou selon la norme CAN/CSA-B339 sur les bouteilles à gaz cylindriques et sphériques et tubes pour le transport des marchandises dangereuses.

Seules les bouteilles à gaz cylindriques indiquant la mention « propane » doivent être utilisées.

DÉCONNEXION DE LA BOUTEILLE DE GPL DE 485 ML (16,4 OZ)

01. La plaque de cuisson doit être éteinte et froide.
02. Débranchez le régulateur de la conduite de gaz en dévissant le collet.
03. Dévissez la bouteille de GPL du régulateur.



REMARQUE : Le régulateur de gaz est destiné à être utilisé à un angle vers l'arrière de la plaque chauffante comme illustré ci-dessus.

**⚠ ATTENTION**

Lorsqu'il n'est pas utilisé, placez les molettes de l'appareil en position OFF et fermez l'alimentation en gaz.

⚠ ATTENTION

Cet appareil sera chaud pendant et après l'utilisation. Utilisez des gants isolants ou des gants de protection pour vous protéger des surfaces chaudes ou des éclaboussures de liquides de cuisson.

⚠ MISE EN GARDE

Ne jamais toucher les parties chaudes sans protection adaptée.

ENTRETIEN ET MAINTENANCE

Nettoyez régulièrement votre appareil entre les utilisations, en particulier après de longues périodes de stockage. Pour prolonger la durée de vie et conserver l'état de l'unité, suivez les meilleures pratiques détaillées dans ce manuel.

Section 01

ENTRETIEN GÉNÉRAL

CLAPET DE NON-RETOUR

Assurez-vous que le gaz est coupé au niveau de la bouteille de GPL avant de vérifier les vannes. Les molettes doivent être verrouillées en position OFF.

01. Pour vérifier les vannes, enfoncez les molettes et relâchez-les. Les molettes devraient revenir en place elles-mêmes.
02. Si les boutons ne retournent pas à leur position initiale, remplacez la vanne avant d'utiliser la plaque de cuisson.
03. Tournez les molettes vers la position de faible intensité puis revenez en position OFF. Les molettes doivent tourner facilement.

NETTOYAGE GÉNÉRAL

Ensure that the appliance and its Assurez-vous que la plaque de cuisson et ses composants sont suffisamment froids avant le nettoyage.

- Assurez-vous de garder les ouvertures de ventilation du boîtier de la bouteille libres et exemptes de débris.
- Les dépôts de graisse cuits peuvent nécessiter l'utilisation d'un tampon nettoyeur en plastique abrasif. Utilisez-le uniquement dans le sens du fini brossé pour éviter les dommages.
- NE PAS utiliser de tampon abrasif sur les zones comportant des représentations graphiques.
- Si une brosse à poils est utilisée pour nettoyer l'une des surfaces de cuisson, assurez-vous qu'aucun poil lâche ne reste sur les surfaces de cuisson avant la cuisson.



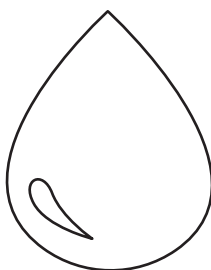
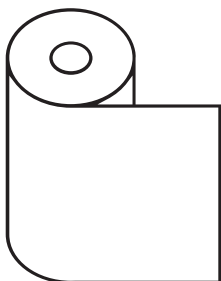
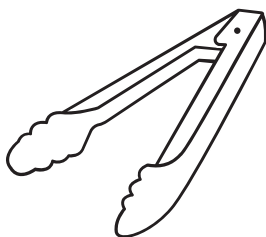
⚠ MISE EN GARDE

De petites variations dans la fabrication et les matières premières peuvent entraîner une légère déformation de certaines plaques. Une légère déformation disparaîtra lorsque la plaque chauffante sera chauffée en préparation de la cuisson.

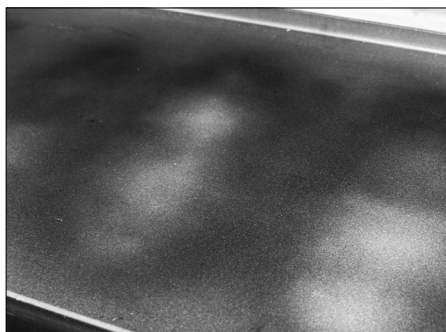
Section 02

INSTRUCTIONS D'ASSAISONNEMENT PLAQUE CHAUFFANTE

Pour de meilleurs résultats, nous avons recommandé d'apprêter la plaque de cuisson avant de commencer à s'en servir.



ÉTAPE 01 Assurez-vous que la plaque de cuisson est exempte de débris. (Veuillez vous référer à la section Nettoyage de votre plaque chauffante)



ÉTAPE 02 Allumez la plaque de cuisson en suivant les instructions d'allumage (trouvé sur l'appareil, ou se référer à Entretien et maintenance > Section 01 / Section 02). Tournez toutes les molettes pour régler les brûleurs au maximum. Attendez environ 10 à 15 minutes, jusqu'à ce que votre plaque de cuisson commence à se décolorer.



ÉTAPE 03 Versez une petite quantité d'huile de cuisson sur le dessus de la plaque. N'importe quelle huile de cuisson peut être utilisée. La quantité d'huile utilisée dépend de la taille de la plaque de cuisson (voir le tableau des mesures.

OUTILS NÉCESSAIRES : Pinces de cuisine, essuie-tout et huile de cuisson



Section 03

NETTOYAGE DU BRÛLEUR

Suivez ces instructions pour nettoyer ou remplacer des pièces du brûleur, ou en cas de difficulté à allumer la plaque de cuisson. Pendant le nettoyage, vérifiez que le brûleur n'est pas endommagé. Si vous trouvez des fissures ou des trous importants, remplacez le brûleur.

ÉTAPE 01 Éteignez le gaz aux boutons de commande et à l'alimentation en gaz. Retirez le dessus de la plaque chauffante.



ÉTAPE 02 Détachez et retirez avec précaution le brûleur.



ÉTAPE 03 Passez plusieurs fois un goupillon à bouteille fin dans chaque tube du brûleur (n'utilisez pas de brosses métalliques).

Autres méthodes:

- a** Passez plusieurs fois un fil rigide plié en forme de petit crochet à travers chaque tube de brûleur.
- b** Utilisez un tuyau à air pour forcer l'air à entrer dans le tube du brûleur et à sortir par les orifices du brûleur. Vérifiez que l'air passe à travers chaque trou (portez des lunettes de protection).



ÉTAPE 04 Brossez toute la surface extérieure du brûleur pour enlever la saleté.



ÉTAPE 05 Nettoyez tous les ports bloqués avec un fil rigide, par exemple un trombone ouvert. Ensuite, remplacez soigneusement les brûleurs et rattachés-les. Les tubes de brûleur doivent être réintroduits dans les orifices de la vanne.

**⚠ DANGER**

Ne placez pas d'objets inflammables sur les étagères latérales près de la plaque de cuisson. Les aérosols sont particulièrement dangereux, car **ils peuvent surchauffer et provoquer une explosion, un incendie, des blessures graves, voire la mort.**

⚠ ATTENTION

Ne placez pas de serviettes huileuses ou graisseuses près de la plaque à frire car elles peuvent brûler spontanément.

Section 04**NETTOYAGE DE VOTRE PLAQUE CHAUFFANTE****STOCKAGE DE VOTRE PLAQUE DE CUISSON**

Stockez la plaque de cuisson dans un endroit frais et sec. Gardez toujours la plaque de cuisson couverte si elle est stockée en extérieur. Choisissez parmi la gamme de couvertures de plaques de cuisson offerte par Blackstone.

Lorsque vous protégez une plaque de cuisson avec une couverture souple, créez une forme de « tente » pour empêcher l'eau de s'accumuler sur le dessus de la plaque de cuisson. Créer une forme de « tente » consiste à placer un objet (un bol, une balle de tennis ou un tuyau en PVC) sous une couverture souple au centre de la plaque de cuisson afin de permettre à l'eau de glisser. Former une « tente » aide à prévenir la rouille.

PREMIER NETTOYAGE

SURFACE DE CUISSON SUR LA PLAQUE: Les plaques Blackstone sont pré-traitées avec de l'huile de cuisson pour éviter la rouille et les dommages pendant le transport. Pour la première utilisation, lavez la plaque à l'eau chaude savonneuse.

C'EST LE SEUL MOMENT OÙ VOUS DEVRIEZ UTILISER DU SAVON SUR LA SURFACE DE CUISSON DE LA PLAQUE.

Rincez et laissez sécher complètement. Continuez en suivant les instructions d'apprêtage. (Veuillez vous référer à la section Instructions d'assaisonnement pour plaque chauffante)

ÉTEINDRE LA PLAQUE DE CUISSON

Placez toutes les molettes en position OFF. FERMEZ la bouteille de GPL en tournant le robinet dans le sens horaire jusqu'à l'arrêt complet.



⚠ ATTENTION

Ne vous penchez pas au-dessus de la plaque de cuisson pendant l'allumage.

⚠ ATTENTION

Si l'allumage ne se produit PAS dans les 5 secondes, éteignez les commandes du brûleur, attendez 5 minutes et répétez la procédure d'allumage.

Si le brûleur ne s'allume pas avec la vanne ouverte, le gaz continuera de sortir du brûleur et pourrait s'enflammer accidentellement/ par inadvertance et engendrer un risque de blessure.

ALLUMAGE | PIÉZO-ÉLECTRIQUE

FONCTIONNEMENT DE LA PLAQUE CHAUFFANTE

Pour un allumage et un fonctionnement corrects de la plaque chauffante, suivez les étapes ci-dessous.



ÉTAPE 01 Assurez-vous que le réservoir de propane est correctement connecté à l'unité. Ouvrez le gaz sur la bouteille LP en prenant 20 secondes pour tourner le bouton à mi-chemin.



ÉTAPE 02 Appuyez sur la molette de commande pour permettre au gaz de circuler. Tournez la molette de commande dans le sens anti-horaire pour activer le démarreur.



ÉTAPE 03 Ajustez la température au niveau désiré.

Si l'allumage ne se produit PAS dans les 5 secondes, éteignez la commande du brûleur, attendez 5 minutes et répétez la procédure d'allumage.

Pour un soutien supplémentaire, consultez [youtube.com/blackstonegriddles](https://www.youtube.com/blackstonegriddles)

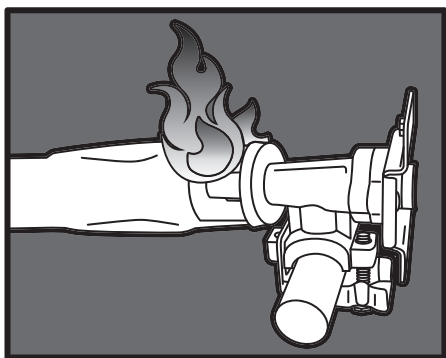


Section 02

FLUX DU GAS DE LA PLAQUE CHAUFFANTE

SYMPTÔMES

01. Une flamme sort de la porte d'air.



CAUSES POSSIBLES

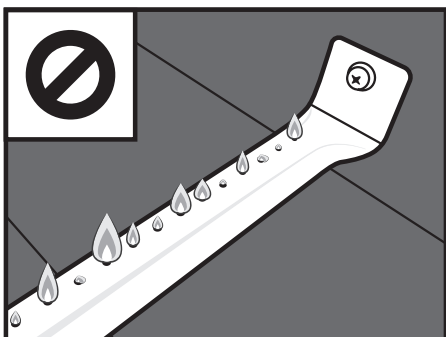
01. Quelque chose bloque le venturi dans le tube du brûleur. Cela ne permet pas au propane de s'écouler à travers le brûleur, ce qui fait reculer la flamme par la porte d'air.

SOLUTION

Nettoyez l'ensemble du brûleur pour éliminer l'obstruction. (Voir Entretien et maintenance > Entretien général > Nettoyage de l'ensemble du brûleur)

SYMPTÔMES

01. Les flammes des brûleurs sont jaunes ou irrégulières.



CAUSES POSSIBLES

01. Quelque chose bloque l'entrée d'air du brûleur. Cela empêche l'oxygène de se mélanger correctement avec le propane pour obtenir des flammes saines.

SOLUTION

Vérifiez les grilles d'aération de votre brûleur. Si vous avez des volets d'air réglables au-dessus de vos grilles d'aération, assurez-vous qu'ils sont complètement ouverts. Si vos brûleurs ont des boucliers anti-insectes, nettoyez les toiles d'araignées, la suie ou les débris du bouclier anti-insectes. Nettoyez tout autre obstacle des grilles d'aération.



ASSISTANCE TECHNIQUE. Numérisez le code QR pour plus de vidéos ou visitez la chaîne YouTube de Blackstone à l'adresse youtube.com/blackstonegriddles



FAQ

NOTRE PERSONNEL DU SERVICE À LA CLIENTÈLE EST LÀ POUR VOUS AIDER!

Pour toute question concernant votre produit Blackstone, ou si vous avez besoin de pièces de rechange, veuillez enregistrer votre plaque à blackstoneproducts.com/register et contactez-nous au:

TÉLÉPHONE:
435-252-3030 ext 1

COURRIEL:
support@blackstoneproducts.com

EN LIGNE:
blackstoneproducts.com/pages/support

Nous serons heureux de répondre à vos questions concernant l'utilisation de la plaque de cuisson, les pièces de rechange ou votre garantie

Notre personnel du service à la clientèle est disponible du lundi au vendredi de 7 h à 17 h, heure normale des Rocheuses.

Q. Quels types d'huiles de cuisson puis-je utiliser pour apprêter ma plaque de cuisson?

R. Nous recommandons les huiles suivantes pour l'apprêtage : huile d'olive, huile végétale, huile de canola, huile de coco, huile de graines de lin et huile de sésame. (Veuillez vous référer à la section Instructions d'assaisonnement pour plaque chauffante du chapitre Entretien et maintenance.)

Q. Puis-je utiliser un détergent liquide pour nettoyer ma plaque de cuisson?

R. Les détergents liquides supprimeront l'apprêtage de la plaque de cuisson et ne doivent pas être utilisés une fois la plaque traitée. Pour les endroits difficiles, utilisez du sel de table et de l'eau chaude et enduisez toujours la plaque d'une fine couche d'huile une fois le nettoyage terminé. (Pour les instructions de nettoyage de la plaque chauffante, veuillez consulter la section Nettoyage de votre plaque chauffante du chapitre Entretien et maintenance.)

Q. Pourquoi la surface de ma plaque de cuisson a-t-elle un aspect terne et sec au lieu d'être brillante et noire?

R. L'apprêtage est un processus continu. Plus vous utiliserez votre plaque de cuisson, plus elle deviendra brillante, noire et antiadhésive au fil du temps.

Q. Puis-je découper les aliments directement sur la plaque de cuisson?

R. Oui, vous pouvez. Découper les aliments sur le dessus de la plaque de cuisson ne l'endommagera pas.

Q : Quel type de pile l'allumeur nécessite-t-il?

R. Si de la rouille apparaît sur la surface de la plaque de cuisson, frottez-la avec une laine d'acier ou un papier sablé à grain réduit, puis apprêtez de nouveau la surface. ([youtube.com/watch?v=thPE2lgnSil](https://www.youtube.com/watch?v=thPE2lgnSil)) Veillez à toujours sécher complètement votre plaque de cuisson avant de la stocker, et gardez-la à l'abri de la pluie et des gicleurs. Il est également important de garder votre plaque de cuisson couverte. (Pour les techniques de stockage appropriées, veuillez vous référer à la section Entretien général du chapitre Entretien et maintenance.)

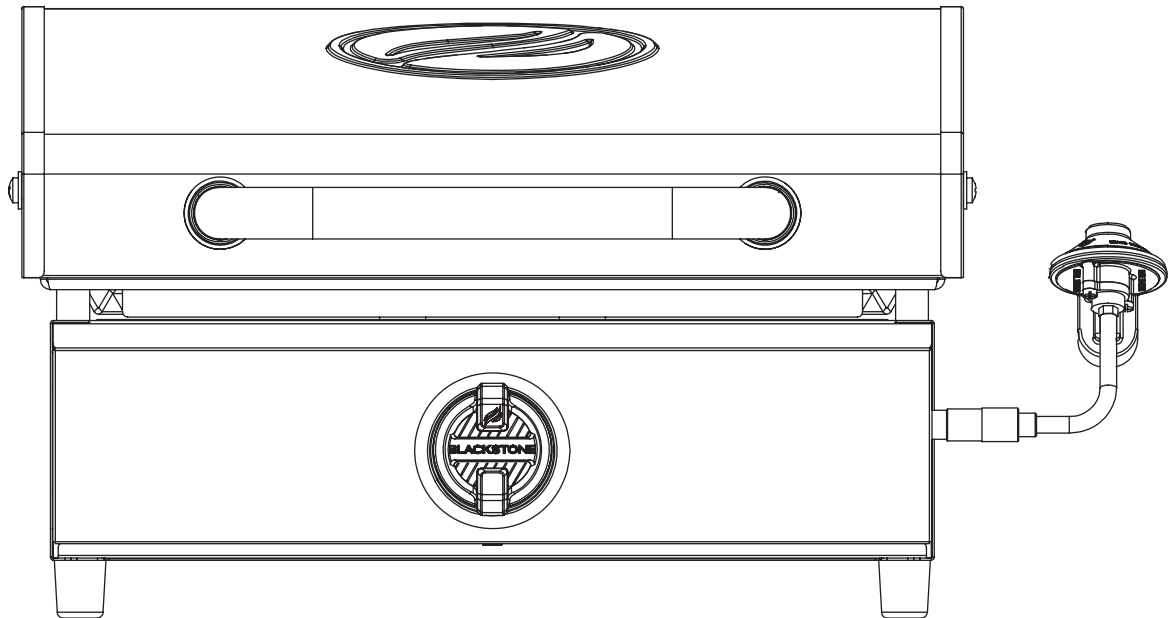
LES CLIENTS VIVANT DANS DES CLIMATS HUMIDES OU CÔTIERS PEUVENT NÉCESSITER UN APPRÊTAGE PLUS FRÉQUENT ET L'UTILISATION D'HUILES DE CUISSON PLUS FORTES POUR ÉVITER LA ROUILLE ET LA CORROSION.

Pour plus d'informations, visitez blackstoneproducts.com/faq

PLANCHA DE MESA DE 17"

Modelo 1814

CONFORME A ANSI STD. Z 21.89:2017
CERTIFICADO A CSA STD. 1.18-2017
AL AIRE LIBRE ESPECIALIDAD EN APARATOS DE COCINA A GAS.





⚠ ADVERTENCIA

**INSTALADOR /
ENSAMBLADOR:**

Dé estas instrucciones al consumidor.

⚠ ADVERTENCIA

CONSUMIDOR:

Guarde este manual para futuras referencias.

⚠ ADVERTENCIA

Este manual de instrucciones contiene información importante necesaria para el montaje adecuado y el uso seguro del aparato.

⚠ ADVERTENCIA

Lea todas las advertencias e instrucciones antes de armar el aparato y mientras lo usa.

⚠ ADVERTENCIA

Siga todas las advertencias e instrucciones mientras usa el aparato.

⚠ ADVERTENCIA

Este producto puede exponerlo a químicos que incluyen di (2-etilhexil) ftalato (DEHP), que el Estado de California sabe que causan cáncer y defectos de nacimiento u otros daños reproductivos. Para más información, vaya a www.P65Warnings.ca.gov.

⚠ PELIGRO

No almacene ni use gasolina u otros líquidos o vapores inflamables cerca de este o cualquier otro electrodoméstico.

⚠ PELIGRO

Un cilindro de LP que no esté conectado para su uso no debe almacenarse cerca de este o cualquier otro electrodoméstico.

⚠ PELIGRO

Nunca opere este aparato sin supervisión.

⚠ PELIGRO

Cuando cocine con aceite o grasa, tenga a mano un extintor de incendios tipo BC o ABC.

⚠ PELIGRO

SI HUELES GAS:

1. Cierre el gas al electrodoméstico.
2. Extinga cualquier llama abierta.
3. Tapa abierta.
4. Si el olor persiste, manténgase alejado del electrodoméstico e inmediatamente llame a su proveedor de gas o al departamento de bomberos.

El incumplimiento de estas instrucciones podría provocar un incendio o una explosión que podría causar daños a la propiedad, lesiones personales o la muerte.

⚠ PELIGRO

- **NUNCA** opere este aparato a menos de 3.0 m (10 pies) de cualquier estructura, material combustible u otro cilindro de gas.
- **NUNCA** opere este aparato a menos de 7 m (25 pies) de cualquier líquido inflamable. El incumplimiento de estas instrucciones puede provocar incendios, explosiones o quemaduras que podrían causar daños a la propiedad, lesiones personales o la muerte.



TABLA DE CONTENIDO

Es responsabilidad del consumidor asegurarse de que la unidad esté correctamente ensamblada, instalada y mantenida. El incumplimiento de las instrucciones de este manual puede provocar lesiones corporales y / o daños a la propiedad.

Lea atentamente este manual antes de la instalación. Guarde este manual para realizar futuras consultas.

CONTENIDO

01. REGISTRE SU PRODUCTO.....	01
02. POR SU SEGURIDAD.....	02
Sección 01. Seguridad general	02
Sección 02. Instrucciones de seguridad de la plancha.....	04
03. GUÍA DE MONTAJE	06
04. CARBURANTE BOTELLA DE PROPANO DE 16.4 OZ.....	12
Sección 01. Botella de propano líquido de 16.4 oz	12
05. CUIDADO Y MANTENIMIENTO.....	14
Sección 01. Cuidado general	14
Sección 02. Instrucciones de curación de la plancha	16
Sección 03. Limpieza del conjunto del quemador	18
Sección 04. Limpiando su plancha.....	20
06. ENCENDIDO PIEZOELÉCTRICO.....	22
07. SOLUCIÓN DE PROBLEMAS.....	23
Sección 01. Solución de problemas de encendido piezoeléctrico.....	23
Sección 02. Flujo de gas de la plancha.....	24
08. PREGUNTAS FRECUENTES	26
09. GARANTÍA.....	27

LLAVE DE ALERTA DE SEGURIDAD

Lea y siga todos los avisos que se encuentran en el manual.

PELIGRO

Indica una situación de peligro inminente que, si no se evita, puede causar la muerte o lesiones graves.

ADVERTENCIA

Indica la posibilidad de lesiones corporales graves si no se siguen las instrucciones.

PRECAUCIÓN

Indica una situación potencialmente peligrosa que, si no se evita, puede resultar en una lesión moderada.



⚠ ADVERTENCIA

Mantenga a los niños y mascotas alejados del aparato en todo momento.
This appliance is not intended for use by children. Close supervision is necessary when any appliance is used by or near children.

⚠ ADVERTENCIA

Este aparato no está diseñado para ser usado como un calentador.
No lo utilice para fines distintos a los previstos.

⚠ ADVERTENCIA

El uso de alcohol, medicamentos recetados o sin receta puede afectar la capacidad del consumidor para ensamblar u operar el aparato de manera segura.

⚠ PRECAUCIÓN

Sólo para uso residencial y doméstico. No usar en una cocina comercial.

POR SU SEGURIDAD

*Antes de continuar, asegúrese de comprender la sección **POR SU SEGURIDAD** de este manual. Se pueden producir incendios o explosiones peligrosas si se ignoran las instrucciones.*

Sección 01

SEGURIDAD GENERAL

PRECAUCIONES

- No utilice este aparato bajo superficies combustibles elevadas.
- Cuando no esté en uso, APAGUE el artefacto girando las perillas de control del artefacto a la posición APAGADO y cerrando la válvula de combustible.

Si no se sigue exactamente la información en las declaraciones anteriores, pueden ocurrir lesiones graves, incendios o la muerte.

CONSEJOS DE SEGURIDAD

- No coloque recipientes de cocción vacíos sobre el aparato mientras esté en funcionamiento. Tenga cuidado al colocar cualquier cosa en el recipiente de cocción mientras el aparato está en funcionamiento.
- No mueva el aparato cuando esté en uso. Deje que el recipiente de cocción se enfríe a 115 ° F (45 ° C) antes de moverlo o guardarlo.
- Use utensilios de barbacoa de mango largo y guantes para horno para protegerse contra quemaduras y salpicaduras.

Si la grasa u otro material caliente gotea del electrodoméstico sobre la válvula, manguera o regulador:

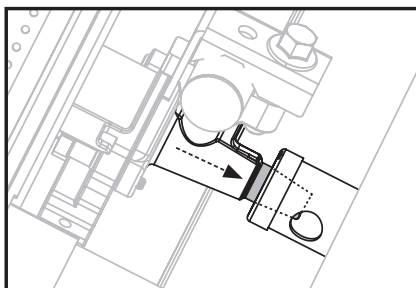
01. Apague el suministro de gas inmediatamente.
02. Determine la causa y corríjala.
03. Limpie e inspeccione la válvula, la manguera y el regulador antes de continuar.
04. Realice una prueba de fugas. (Consulte las Instrucciones de prueba de fugas en el capítulo Combustible.)

Para problemas con este dispositivo, consulte el capítulo Solución de problemas.



⚠ ADVERTENCIA

Asegúrese de que la boquilla de combustible esté alojada dentro de la abertura del quemador.



⚠ ADVERTENCIA

Agregar una gran cantidad de alimentos fríos o congelados (o alimentos con un contenido importante de agua) a una plancha caliente puede hacer que la plancha se deforme.

Sección 02

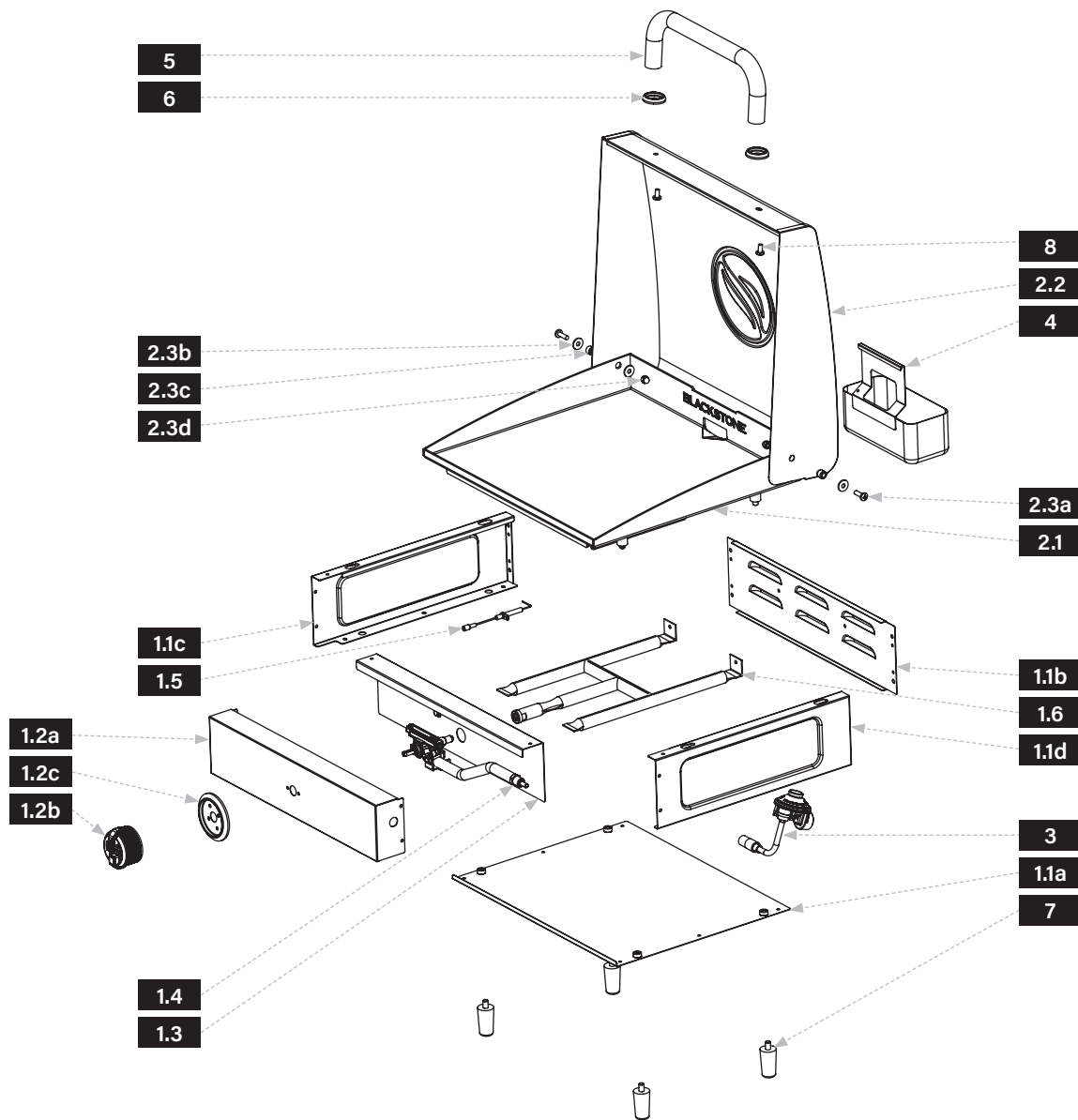
INSTRUCCIONES DE SEGURIDAD DE LA PLANCHA

- El peso máximo en el estante lateral (si está presente) es de 4.5 kg (10 lb).
- La bandeja de grasa debe retirarse y vaciarse después de cada uso.
- No retire la bandeja de grasa hasta que la plancha se haya enfriado completamente.
- No obstruya el flujo de aire de combustión y ventilación.
- Limpie la plancha a menudo, de preferencia después de cada uso. (Consulte la sección Limpieza de la plancha del capítulo Cuidado y mantenimiento).



GUÍA DE MONTAJE

VISTA EN DESPIECE ORDENADO



PIEZAS	CTD
1.1a Panel inferior	1
1.1b Panel posterior	1
1.1c Panel izquierdo	1
1.1d Panel derecho	1
1.2a Panel de control	1
1.2b Perilla de control	1

PIEZAS	CTD
1.2c Bisel de la perilla de control	1
1.3 Panel deflector	1
1.4 Carril de gas	1
1.5 Aguja de encendido	1
1.6 Quemador H	1

PIEZAS	CTD
2.1 Parte superior de la plancha	1
2.2 Capucha	1
2.3a Tornillos M6	2
2.3b Juntas	4
2.3c Mangas de eje	2
2.3d Tuercas ciegas	2



⚠ ADVERTENCIA

El fabricante ha hecho todo lo posible para eliminar los bordes afilados. Sin embargo, debe manejar todos los componentes con cuidado para evitar lesiones accidentales.

Algunas partes pueden contener bordes afilados, especialmente como se indica en estas instrucciones. Use guantes de protección si es necesario.

⚠ ADVERTENCIA

El uso de alcohol, medicamentos recetados o sin receta puede afectar la capacidad del consumidor para ensamblar u operar el aparato de manera segura.

⚠ PRECAUCIÓN

Se recomiendan dos personas para el montaje de este producto.

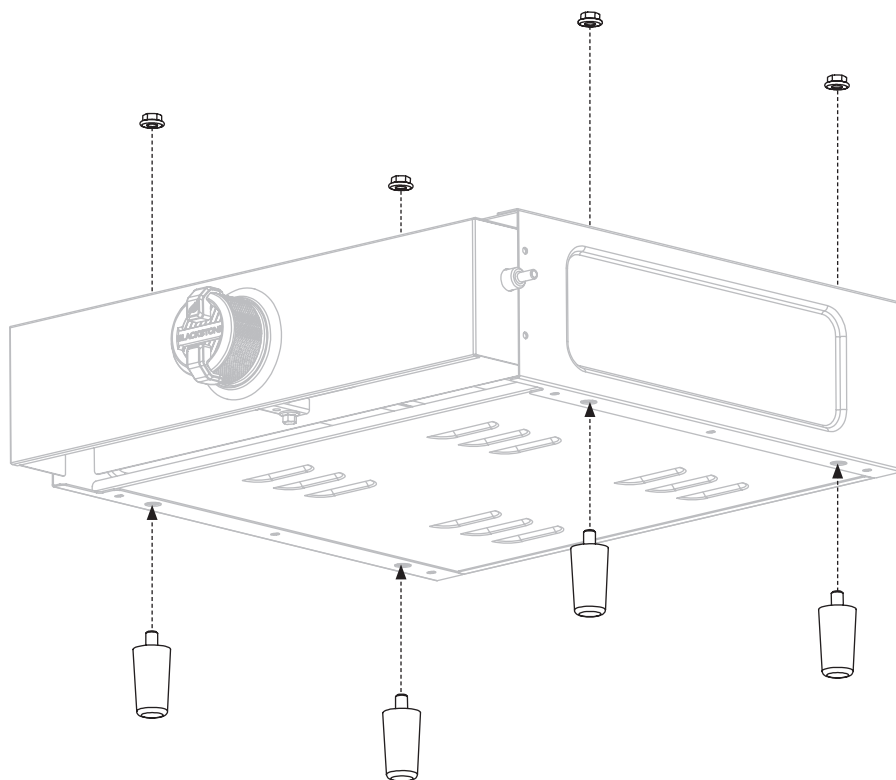
INSTRUCCIONES DE MONTAJE

Lea atentamente todas las instrucciones antes de continuar. Asegúrese de retirar todo el material de embalaje de plástico antes de ensamblarlo

Encuentre un área grande y limpia para ensamblar su plancha. Consulte la lista de piezas y los diagramas de ensamblaje según sea necesario.

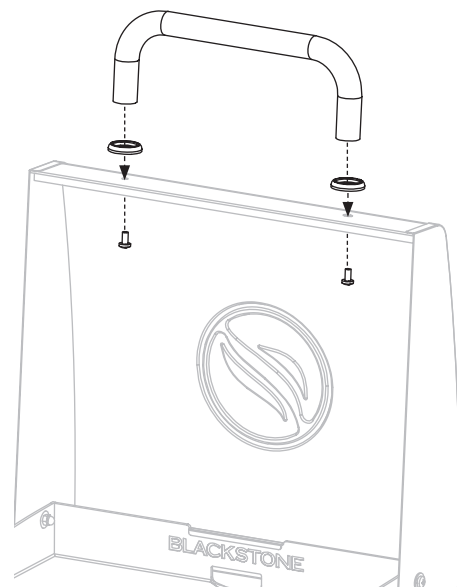
El ensamblaje de la plancha involucra componentes grandes; por lo tanto, **se aconseja que dos personas ensamblen la unidad.**

PASO 01 Coloque la plancha sobre una superficie plana y lisa y coloque las cuatro (4) patas de la plancha y las cuatro (4) tuercas de brida M8 en la parte inferior de la plancha en los orificios pre-roscados.

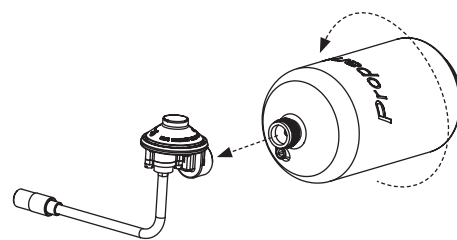




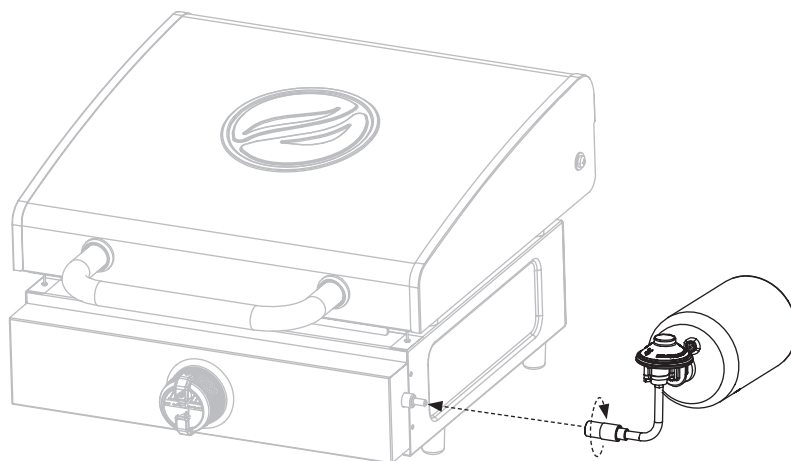
PASO 04 Fije la manija al capó con dos (2) ojales y dos (2) tornillos M6x12.



PASO 05 Atornille la botella de LP en el regulador de gas, girando el tanque en sentido horario.



PASO 06 Inserte el regulador de gas y el tanque en la línea de gas de la plancha. Gire el collar del regulador de gas en el sentido de las agujas del reloj para asegurarlo a la línea de combustible.





⚠ ADVERTENCIA

El cilindro de suministro de gas LP debe desconectarse cuando este aparato no esté en uso.



COMBUSTIBLE | BOTELLA DE PROPANO DE 16.4 OZ

Sección 01

BOTELLA DE PROPANO LÍQUIDO DE 16.4 OZ

LP (GAS DE PETRÓLEO LICUADO)

El gas LP no es tóxico, es inodoro e incoloro cuando se produce. Por seguridad y para una fácil detección, al gas LP se le ha dado un olor similar al del repollo podrido.

El gas LP es altamente inflamable y puede encenderse inesperadamente cuando se mezcla con el aire.

REQUISITOS DE BOTELLAS DE LP DE 16.4 OZ

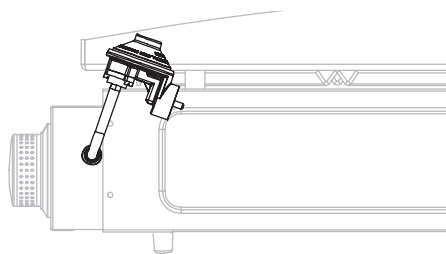
Use solo una botella de propano de 16.4oz, de 9.2 cm x 18.7 cm (3.8 x 7.8 pulgadas).

Las botellas de LP deben construirse y marcarse de acuerdo con las especificaciones para botellas de LP, del Departamento de Transporte de los Estados Unidos (DOT) o la Norma para cilindros, esferas y tubos para el transporte de mercancías peligrosas, CAN / CSA-B339.

Sólo deben usarse los cilindros marcados con “propano”.

DESCONECTAR LA BOTELLA DE LP DE 16.4 OZ

01. La plancha debe estar apagada y fría.
02. Desconecte el regulador de la línea de gas desatornillando el cuello.
03. Desatornille la botella de LP del regulador.



TENGA EN CUENTA: El regulador de gas está diseñado para usarse en un ángulo hacia la parte trasera de la plancha como se muestra arriba.



⚠ ADVERTENCIA

Cuando no esté en uso, apague los controles de la unidad y la fuente de gas.

⚠ ADVERTENCIA

Este aparato estará caliente durante y después de su uso. Use guantes o guantes aislantes para horno para protegerse de superficies calientes o salpicaduras de líquidos de cocción.

⚠ PRECAUCIÓN

NUNCA manipule piezas calientes con manos desprotegidas.

CUIDADO Y MANTENIMIENTO

Limpie regularmente su electrodoméstico entre usos, especialmente después de largos períodos de almacenamiento. Para extender la vida útil y las condiciones de la unidad, siga las mejores prácticas detalladas en este manual.

Sección 01

CUIDADO GENERAL

CONTROL DE LA VÁLVULA

Asegúrese de que el gas esté apagado en el cilindro de LP antes de revisar las válvulas. Las perillas deben estar bloqueadas en la posición OFF (Apagado).

01. Para revisar las válvulas, presione las perillas y suéltelas. Las perillas deben saltar hacia atrás.
02. Si las perillas no retroceden, reemplace el conjunto de la válvula antes de usar la plancha.
03. Gire las perillas a la posición baja y luego vuelva a la posición OFF (Apagado). Las perillas deben girar suavemente.

LIMPIEZA GENERAL

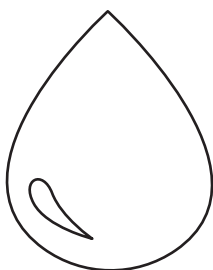
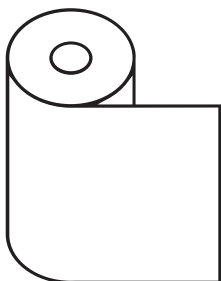
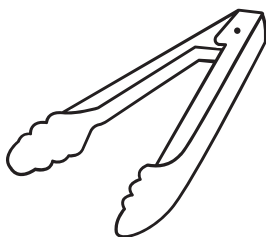
Asegúrese de que el aparato y sus componentes estén suficientemente fríos antes de limpiarlos.

- Asegúrese de mantener la (s) abertura (s) de ventilación del recinto del cilindro libres y libres de escombros.
- Los depósitos de grasa horneados pueden requerir el uso de un paño de plástico de limpieza abrasivo. Úselo solo en la dirección del acabado del cepillado para evitar daños.
- NO use un paño abrasivo en áreas con gráficos.
- Si se usa un cepillo de cerdas para limpiar cualquiera de las superficies de cocción, asegúrese de que no queden cerdas sueltas en las superficies de cocción antes de cocinar.



⚠ PRECAUCIÓN

Pequeñas variaciones en la fabricación y las materias primas pueden causar una ligera deformación de algunas placas. Una ligera deformación desaparecerá cuando la placa caliente se caliente como preparación para cocinar.



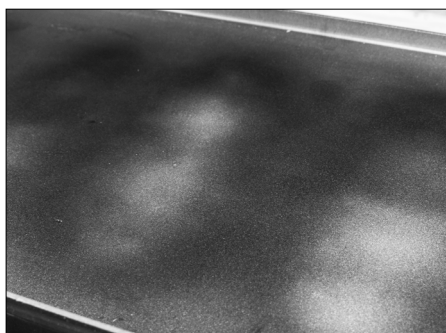
Sección 02

INSTRUCCIONES DE CURACIÓN DE LA PLANCHA

Para obtener los mejores resultados, recomendamos curar la plancha antes de cocinar en la parte superior de la plancha.



PASO 01 Asegúrese de que la parte superior de la plancha esté limpia de escombros. (Consulte la sección Limpieza de su plancha)



PASO 02 Encienda la plancha siguiendo las instrucciones de encendido (se encuentra en la unidad, o consulte Cuidado y mantenimiento > Sección 01 / Sección 02). Gire todas las perillas para ajustar los quemadores a alto. Espere aproximadamente 10-15 minutos hasta que la parte superior de la plancha comience a decolorarse.



PASO 03 Vierta una cantidad ligera de aceite de cocina en la parte superior de la plancha. Cualquier aceite de cocina servirá. La cantidad de aceite utilizado depende del tamaño de la plancha (consulte la tabla de medidas).

HERRAMIENTAS NECESARIAS: Pinzas de cocina, toallas de papel y aceite de cocina



⚠ ADVERTENCIA

El fabricante ha hecho todo lo posible para eliminar los bordes afilados. Sin embargo, debe manejar todos los componentes con cuidado para evitar lesiones accidentales.

Algunas partes pueden contener bordes afilados, especialmente como se indica en estas instrucciones. Use guantes de protección si es necesario.

⚠ ADVERTENCIA

El uso de alcohol, medicamentos recetados o sin receta puede afectar la capacidad del consumidor para ensamblar u operar el aparato de manera segura.

⚠ PRECAUCIÓN

Se recomiendan dos personas para el montaje de este producto.

Sección 03

LIMPIEZA DEL CONJUNTO DEL QUEMADOR

Siga estas instrucciones para limpiar y/o reemplazar pieza del conjunto del quemador o si tiene problemas para encender la plancha. Mientras limpia, revise el quemador para detectar daños. Si encuentra grietas u orificios grandes, reemplace el quemador.

PASO 01 Apague el gas en las perillas de control y en el suministro de gas. Retire la parte superior de la plancha.



PASO 02 Separe con cuidado y retire el quemador.



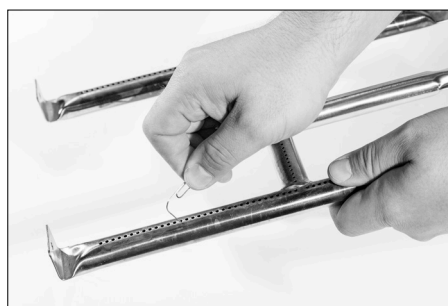
PASO 03 Pase un cepillo de botella estrecho a través de cada tubo del quemador varias veces. (No utilice cepillos de alambre)

Se incluyen los siguientes métodos adicionales:

- a** Pase un alambre rígido doblado en un pequeño gancho a través de cada tubo del quemador varias veces.
- b** Use una manguera de aire para forzar el aire dentro del tubo del quemador y por fuera de los puertos del quemador. Compruebe que el aire sopla a través de cada agujero. (Use protección para los ojos)



PASO 04 Cepille toda la superficie exterior del quemador para eliminar la suciedad.



PASO 05 Limpie los puertos bloqueados con un cable rígido, como un clip de papel abierto. Luego, reemplace con cuidado los quemadores y vuelva a colocarlos. Los tubos del quemador se deben volver a conectar con las aberturas de la válvula.

**⚠ PELIGRO**

No coloque artículos inflamables en estantes laterales cerca de la plancha. Los contenedores de aerosol son particularmente peligrosos porque **pueden sobrecalentarse y provocar una explosión, incendio, lesiones personales graves o la muerte.**

⚠ ADVERTENCIA

No coloque toallas aceitosas o grasosas cerca de la unidad de la plancha, ya que pueden quemarse espontáneamente.

Sección 04**LIMPIANDO SU PLANCHA****ALMACENAR SU PARRILLA**

Siga estos sencillos pasos de limpieza para garantizar un rendimiento óptimo y la longevidad de la Plancha Blackstone.

Cuando proteja la plancha con una cubierta suave, use el método de “carpa” para evitar que el agua se acumule en la parte superior de la plancha. Formar una “tienda” implica colocar un objeto (un tazón, una pelota de tenis o una tubería de PVC) debajo de la cubierta suave en el centro de la plancha para permitir que el agua se deslice. La formación de la “tienda” ayuda a prevenir la oxidación.

LA PRIMERA LIMPIEZA**SUPERFICIE DE COCCIÓN**

DE LA PLANCHA: Las planchas Blackstone están pretratadas con aceite de cocina para evitar la oxidación y daños durante el envío. Por primera vez, lave la plancha con agua caliente y jabón.

ESTA ES LA ÚNICA VEZ QUE DEBE USAR JABÓN EN LA SUPERFICIE DE COCCIÓN DE LA PLANCHA.

Enjuague y seque completamente. Continúe con las instrucciones de curado. (Consulte la sección de Instrucciones curación de la plancha)

APAGADO DE LA PLANCHA

Gire todas las perillas a la posición OFF (Apagado). Apague el tanque de LP girando el volante OPD en sentido horario hasta que se detenga por completo.



⚠ ADVERTENCIA

No se incline sobre la plancha mientras se enciende.

⚠ ADVERTENCIA

Si la ignición NO ocurre en 5 segundos, apague los controles del quemador, espere 5 minutos y repita el procedimiento de encendido.

Si el quemador no se enciende con la válvula abierta, el gas continuará saliendo del quemador y podría encenderse accidental o inadvertidamente con riesgo de lesiones.

ENCENDIDO | PIEZOELÉCTRICO

FUNCIONAMIENTO DE PLANCHA

Para un encendido y funcionamiento correctos de la plancha, siga los pasos a continuación.



PASO 01 Asegúrese de que el tanque de propano esté correctamente conectado a la unidad. Abra el gas en el cilindro LP tomando 20 segundos para girar la perilla hasta la mitad.



PASO 02 Presione la perilla de control para que comience a fluir el gas. Gire la perilla de control en sentido antihorario para activar el arrancador.



PASO 03 Ajuste la temperatura al nivel deseado.

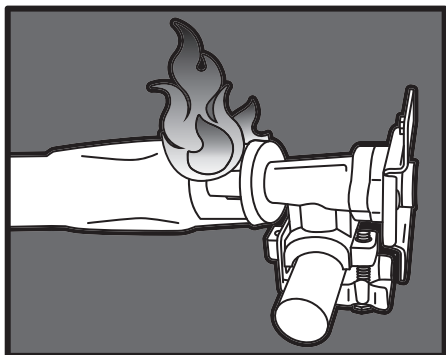
Si no se produce el encendido, apague el gas girando la perilla en sentido horario y repita las instrucciones de encendido.

Para obtener ayuda adicional, vea [youtube.com/blackstonegriddles](https://www.youtube.com/blackstonegriddles).



Sección 02

FLUJO DE GAS DE LA PLANCHA



SÍNTOMAS

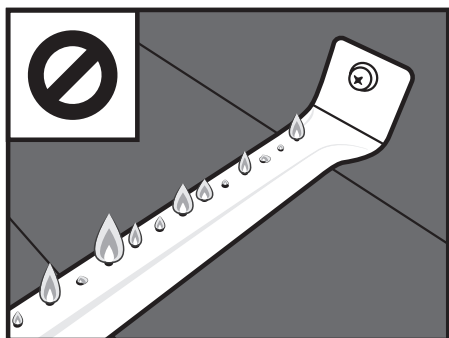
01. Una llama sale de la puerta de aire.

POSIBLES CAUSAS

01. Algo está bloqueando el venturi en el tubo del quemador. Esto no permite que el propano fluya a través del quemador, haciendo que la llama retroceda por la puerta de aire.

SOLUCIÓN

Limpie el conjunto del quemador para eliminar la obstrucción. (Consulte la sección Limpieza de la plancha del capítulo Cuidado y mantenimiento.)



SÍNTOMAS

01. Las llamas de los quemadores son amarillas o irregulares.

POSIBLES CAUSAS

01. Algo está bloqueando la puerta de aire para el quemador. Esto impide que el oxígeno se mezcle correctamente con el propano para obtener llamas saludables.

SOLUCIÓN

Verifique las compuertas de aire en su quemador. Si tiene persianas de aire ajustables sobre sus compuertas de aire, asegúrese de que estén completamente abiertas. Si sus quemadores tienen protectores contra insectos, limpie cualquier telaraña, hollín o desechos del protector contra insectos. Limpie cualquier otra obstrucción de las compuertas de aire.



SOPORTE TÉCNICO. Escanee el código QR para ver más videos o visite el canal de Blackstone en YouTube en [youtube.com/blackstonegriddles](https://www.youtube.com/blackstonegriddles)



PREGUNTAS FRECUENTES

P. ¿Qué tipos de aceites de cocina puedo usar para curar mi plancha?

R. Recomendamos los siguientes aceites para curar: aceite de oliva, aceite vegetal, aceite de canola, aceite de coco, aceite de semilla de lino y aceite de sésamo. (Consulte la sección Instrucciones de curación de la plancha del capítulo Cuidado y mantenimiento.)

P. ¿Puedo usar detergente para platos para limpiar mi plancha?

R. Los detergentes para platos que cortan la grasa borrarán el curado de la plancha y no deben utilizarse después de que se cure la plancha. Para lugares difíciles, use sal de mesa y agua caliente y siempre cubra con una capa delgada de aceite una vez que haya terminado de limpiar. (Para instrucciones de limpieza de la plancha, consulte la sección Limpieza de la plancha del capítulo Cuidado y mantenimiento.)

¡NUESTRO PERSONAL DE SERVICIO AL CLIENTE ESTÁ AQUÍ PARA AYUDARLO!

Si tiene preguntas sobre su producto Blackstone o si necesita piezas de repuesto, registre su plancha en blackstoneproducts.com/register y contáctenos en:

TELÉFONO:
435-252-3030 ext 1

CORREO ELECTRÓNICO:
support@blackstoneproducts.com

EN LÍNEA:
blackstoneproducts.com/pages/support

Nos complace ayudarlo con cualquier pregunta relacionada con el uso de la plancha, las piezas de repuesto o su garantía.

Puede comunicarse con nuestro personal de servicio al cliente de lunes a viernes de 7:00 a.m. a 5:00 p.m., hora estándar de la montaña.

P. ¿Por qué la superficie de mi plancha se ve opaca y seca en lugar de brillante y negra?

R. El curado es un proceso continuo. Con el tiempo y cuanto más use la superficie de la plancha, esta se volverá más brillante, negra y antiadherente.

P. ¿Puedo cortar directamente en la parte superior de la plancha??

A: Sí, puedes. Cortar sobre la parte superior de la plancha no la dañará.

P. ¿Qué pasa si mi plancha comienza a oxidarse?

R. Si aparece óxido en la superficie de la plancha, frótela con lana de acero o papel de lija de grano bajo y vuelva a curar la superficie. (youtube.com/watch?v=thPE2IgnSil) Tenga cuidado de siempre secar completamente su plancha antes de guardarla y manténgala alejada de la lluvia y los rociadores. También es importante mantener su plancha cubierta. (Para conocer las técnicas de almacenamiento adecuadas, consulte la sección Cuidado general del capítulo Cuidado y mantenimiento.)

LOS CLIENTES EN CLIMAS HÚMEDOS O COSTEROS PUEDEN REQUERIR CURADOS MÁS FRECUENTES Y EL USO DE ACEITES DE COCCIÓN PARA EVITAR EL ÓXIDO Y LA CORROSIÓN.

Para consultar más preguntas frecuentes visite blackstoneproducts.com/faq

