

This Owner's Manual is provided and hosted by [Appliance Factory Parts](#).



# Monument Grills 87578 Owner's Manual

[Shop genuine replacement parts for Monument Grills  
87578](#)



[Find Your Monument Grills Grill Parts - Select From 25 Models](#)

----- Manual continues below -----



# MONUMENT PELLET GRILL

USE AND CARE MANUAL

**87578**



Please read this entire manual before installation and use of this pellet fuel-burning appliance.

Failure to follow these instructions could result in property damage, bodily injury or even death.

Contact local building or fire officials about restrictions and installation inspection requirements in your area.

**THIS PELLET GRILL IS DESIGNED FOR OUTDOOR USE ONLY**

**SAVE THESE INSTRUCTIONS FOR FUTURE REFERENCE**



[WWW.MONUMENTGRILLS.COM](http://WWW.MONUMENTGRILLS.COM)

# Table of Contents


<b>1. Safety warning</b>	<b>1</b>
<b>2. Certificates</b>	<b>2</b>
<b>3. Explosion view</b>	<b>3</b>
<b>4. Parts list</b>	<b>4</b>
<b>5. Hardware</b>	<b>4</b>
<b>6. Assembly steps</b>	<b>4</b>
<b>7. Use of the Pellet Gril</b>	<b>16</b>
<b>8. Button Function Description</b>	<b>21</b>
<b>9. Trouble Shooting</b>	<b>23</b>

## 1. Safety Warning

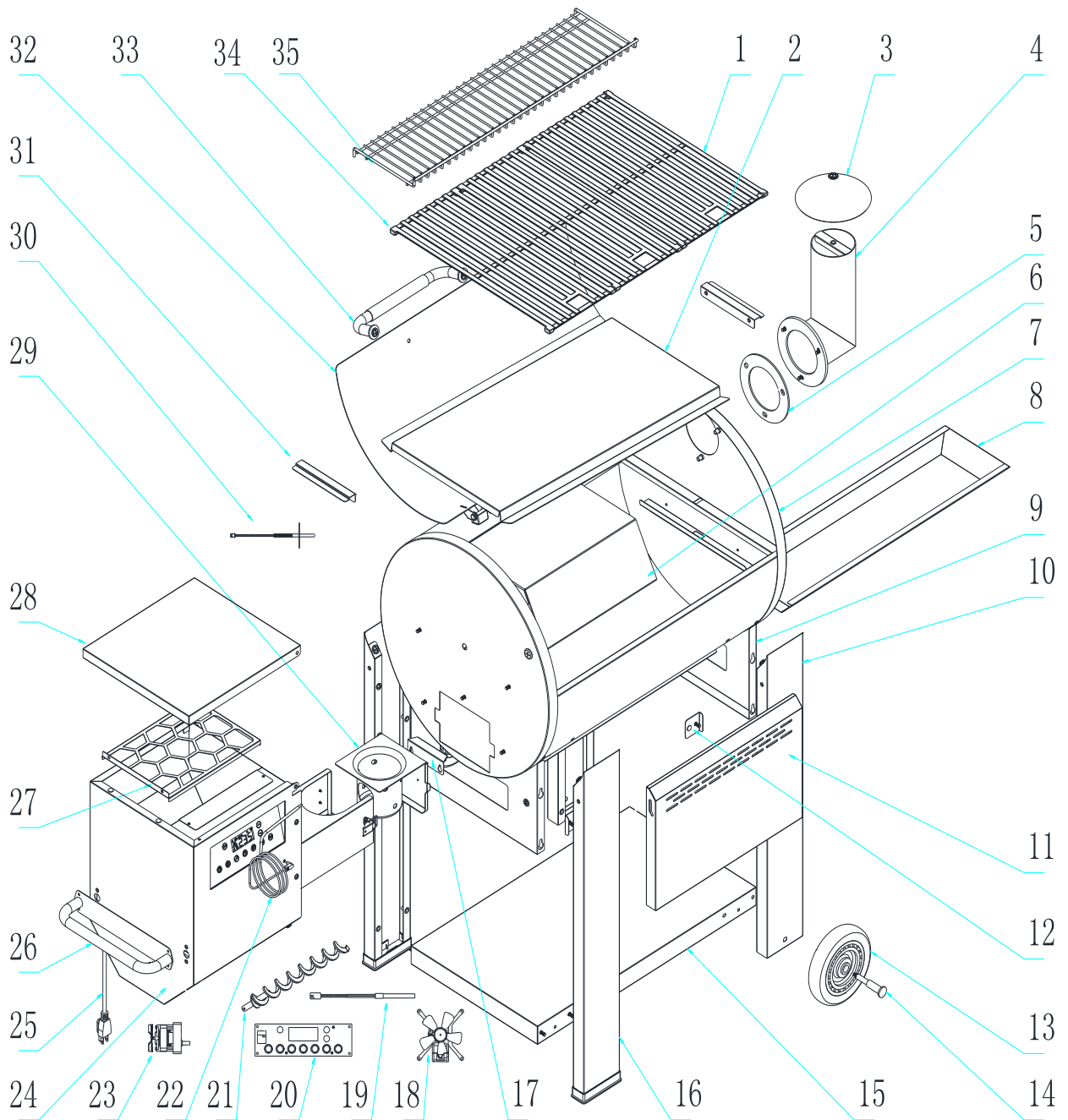
- ※Please read the whole instruction carefully before installing and using the pellet grill, and install and use it as required. The company will not be responsible for any property loss, personal injury or even death caused by failure to follow the instructions.
- ※About carbon monoxide poisoning: All grills or cooking utensils will generate organic gas (such as monoxide) when burning materials (such as wood, gas, or carbon, etc.). Monoxide will weaken the ability of blood to deliver oxygen, and low oxygen content in blood will cause loss of consciousness or death. Please go to the hospital timely in case of headache, dizziness, weakness, nausea, vomiting, nasal congestion, lethargy or confusion in the use.
- ※Please be sure to use the device in open areas and keep away from flammable and explosive materials (at least 40 inches).
- ※The device is equipped with the ignition system, and please do not use gasoline, kerosene, barbecue charcoal or special ignition fluid to ignite.
- ※Please use the grounding receptacle that complies with the local safety regulations. If the receptacle needs to be reinstalled, please follow local electrical specification.
- ※Dangerous voltage will cause shock, burn or death. In case of device failure, please follow the prompt of the instruction or contact local after-sales personnel for maintenance. Please cut off the power before maintenance.
- ※There will be high temperature in local positions in the use of the device, please do not move the device casually and take care of the old and children and beware of burn.
- ※Please clean the remaining fuel after each use, for the fuel may block the material delivery structure when it expands by damp.
- ※Please use the wood pellets special for the pellets grill and ensure that the pellet diameter is no more than 0.3 inches and that the length is no more than 1.2 inches. If the fuel pellets are too large, the device may be extinguished due to poor feeding.
  
- ※Detectable amounts of chemicals known to the state of California to cause cancer, birth defects or other reproductive harm may be found in this facility.

California health & safety code section 25249.5

## 2. Certificates

 <b>Intertek</b> 5012274 Certified to UL SUBJECT 2728 Certified to ULC/ORD-C2728	<b>MONUMENT</b>	
	Product name	Pellet Grill
	Model Number	S1251801T
	Fuel input rating	0.900KG/H
	Electrical Rate	120V/60Hz/0.25 kW
Refer to Intertek's Directory of Building Products for detailed information		
<b>If Fire Occurs:</b> Call Fire Department Do Not Try To Move Appliance, Try To Smother Fire, Or Put Water On The Fire Keep The Appliance Clean – See Instruction Manual For Cleaning And Proper Operation Always Operate Appliance With Doors Of Room Open (For Appliances That Are Intended For Indoor Use) Minimum clearance from side and back of unit to combustible construction: 23.6" (600mm) from sides and 39.4" (1000mm) from back. Suitable for installation on combustible floors.		
<b>WARNING:</b> This appliance has not been tested for use with doors. To reduce the risk of fire or injury, do not install doors.		
<b>CAUTION</b> <b>Improper Use Can Cause Uncontrolled Fire. To Reduce Fire Risk</b> <b>This Appliance Is Intended To Burn (Less than 0.3 inches in diameter</b> <b>; Length &lt;1.2 inches) pellets Fuel Only.</b> <b>Designation</b> <b>Operate Only Per Manufacturers Instructions</b> <b>Never Use Gasoline Or Lighter Fluid</b> <b>Always Store Wood Pellets Away From Heat-Producing Appliances And Other Fuel Containers</b>		
<b>Use Outdoors Only</b>		
<b>Read the instructions before using the appliance.</b>		
<b>Warning : Accessible parts may be very hot. Keep young children away.</b>		
<b>Made in China</b>		

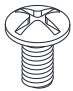



### 3. Exploded View



#### 4. Part list

Seq. NO.	Appellation	Qty	Seq. NO.	Appellation	Qty
1	Cooking grid,A	1	19	Igniter probe	1
2	Oil guide plate	1	20	Control panel	1
3	Chimney cover assembly	1	21	Auger	1
4	Chimney assembly	1	22	Barbecue probe	1
5	Chimney insulation cotton	1	23	Auger motor	1
6	Fire-block board	1	24	Control box assembly	1
7	Grill assembly	1	25	Power line	1
8	Ash collection tray	1	26	Control box handle assembly	1
9	Frame support	2	27	Control box screen	1
10	Short leg	2	28	Control box cover	1
11	Shelf	1	29	Combustionchamber assembly	1
12	Block pieces of the shelf	2	30	Temperature sensor	1
13	6 inch transparent wheel	2	31	Warming grid bracket	2
14	Axle	2	32	Upper cover panel	1
15	Bodywork floor	1	33	Upper cover handle assembly	1
16	Long leg		34	Cooking grid,B	2
17	Handle of the burning chamber		35	Warming rack	1
18	Fan motor	1			

#### 5. Hardware

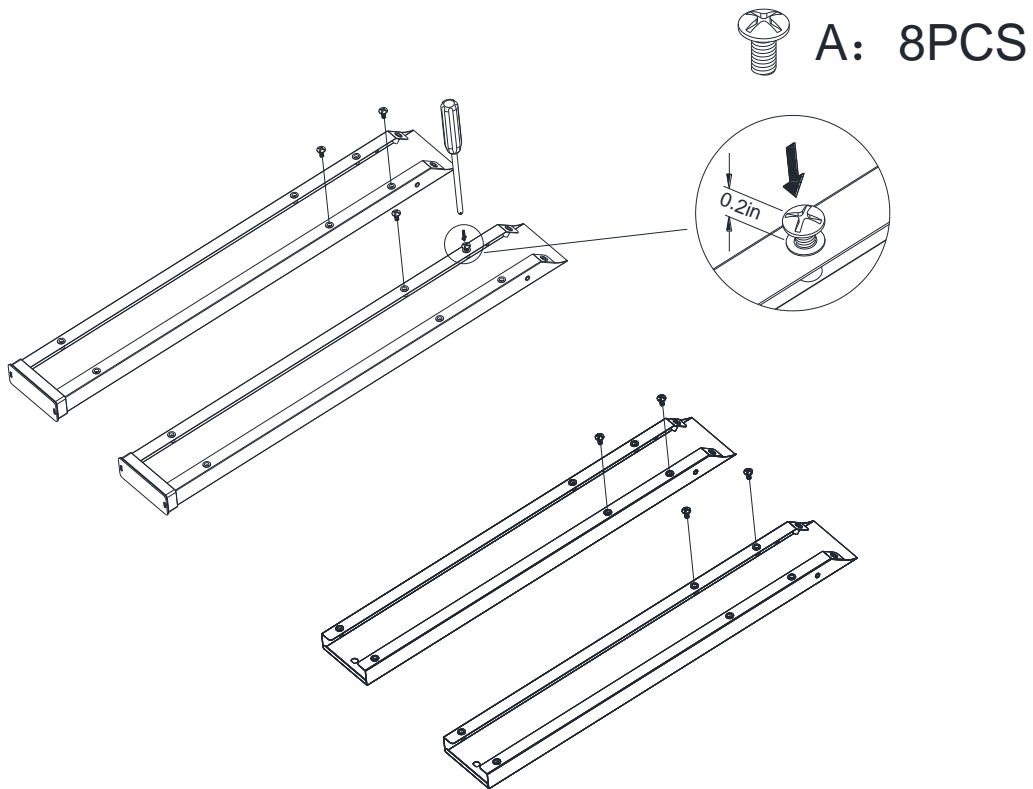
A	B	C	D
 x36	 x4	 x15	 x8

#### 6. Assembly steps

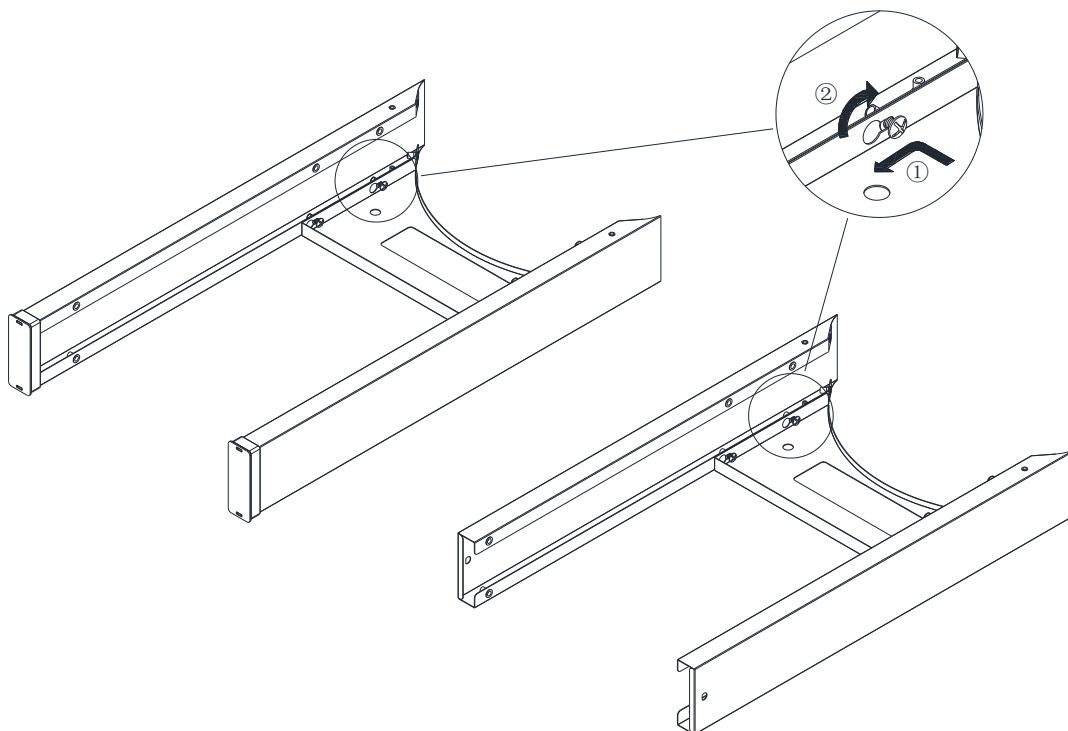
Make sure your grill is assembled properly. Detailed assembly instructions are packed with each grill giving specific assembly procedures for each model. Follow these instructions carefully to ensure the correct and safe assembly of the grill.

Caution: Although we take every effort to ensure that the assembly process is as easy as possible, it is inherent with fabricated steel parts that corners and edged can cause cuts if improperly handled during assembly procedures. Be careful while handling any parts during assembly. It is strongly recommended that you protect hands with a pair of work gloves.

STEP 1



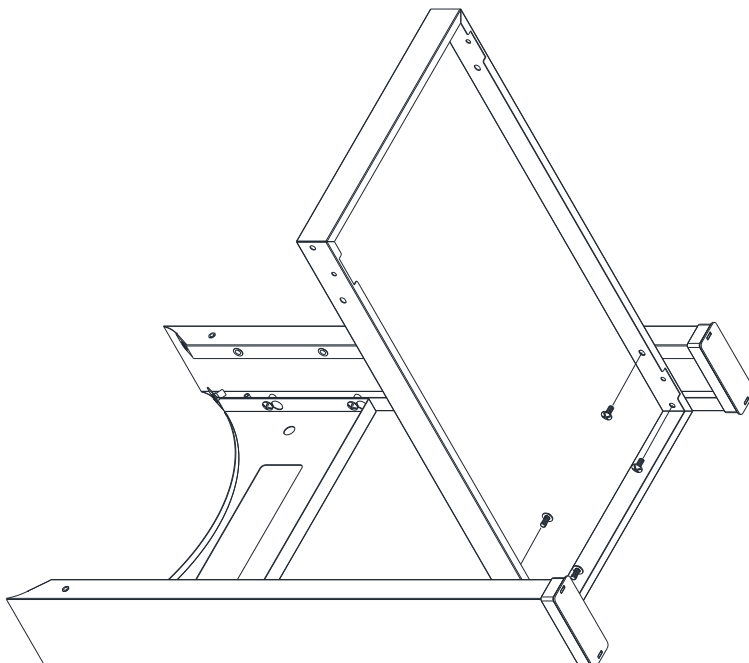
STEP 2





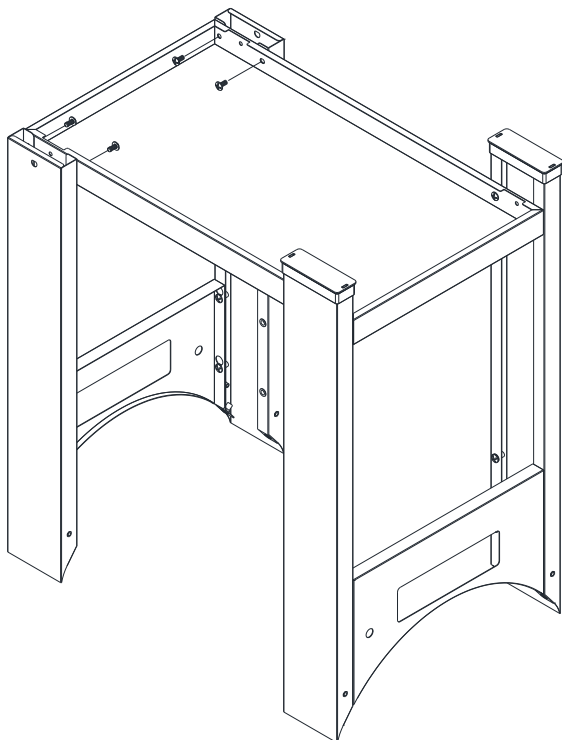
STEP 3

 A: 4PCS

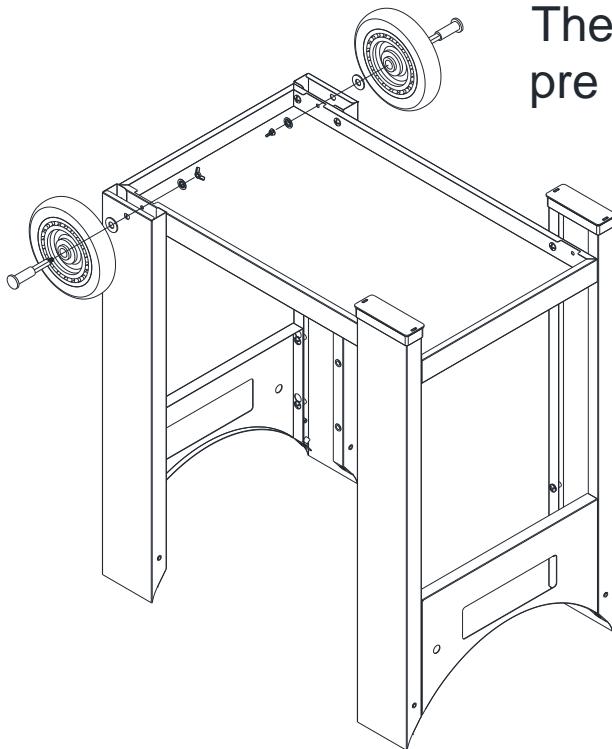


STEP 4

 A: 4PCS

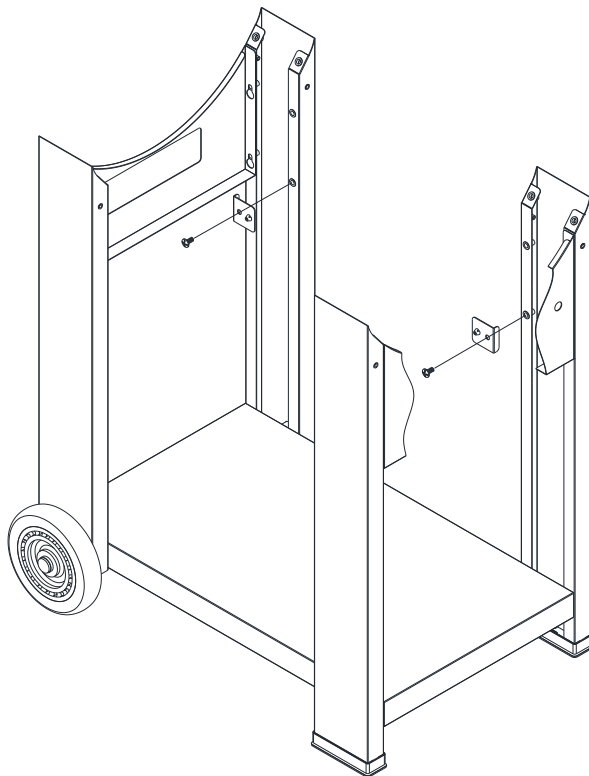


STEP 5



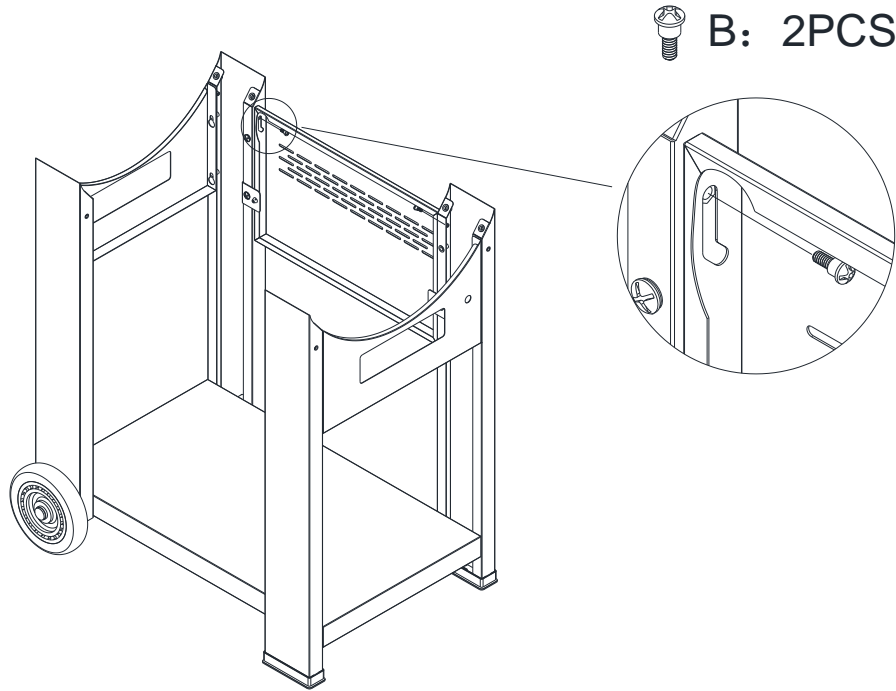
The screws have been pre assembled

STEP 6

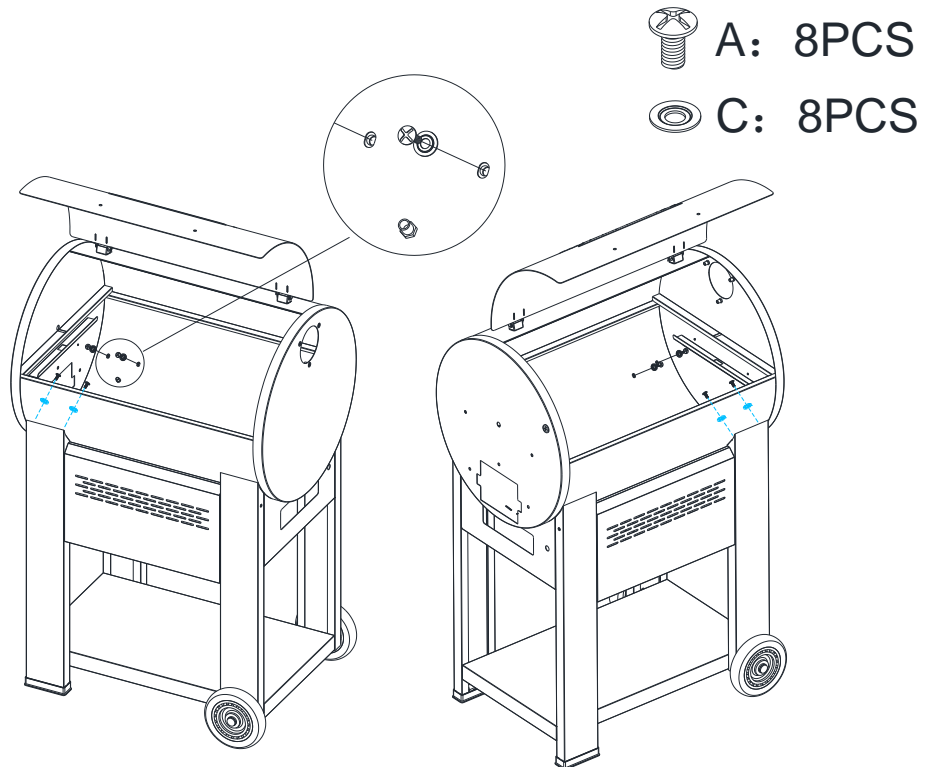


A: 2PCS

STEP 7



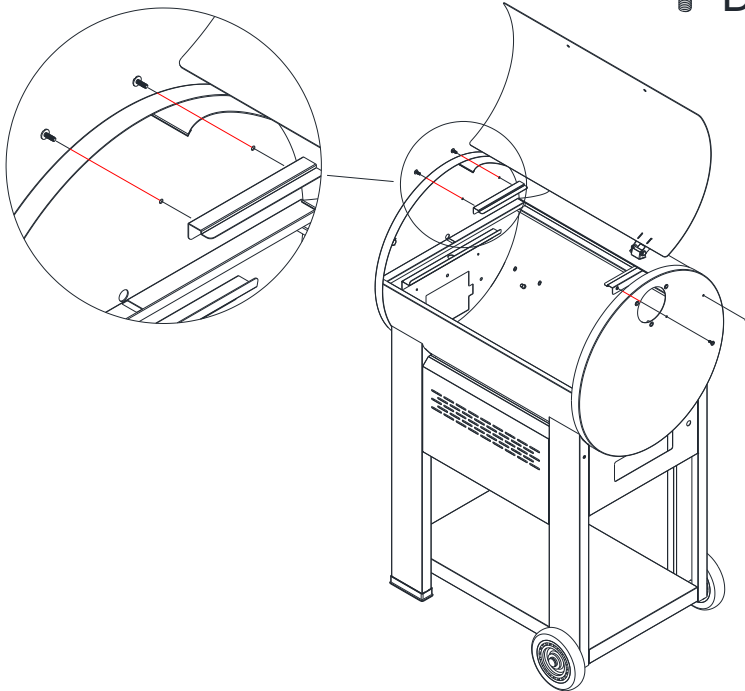
STEP 8



STEP 9




 D: 4PCS

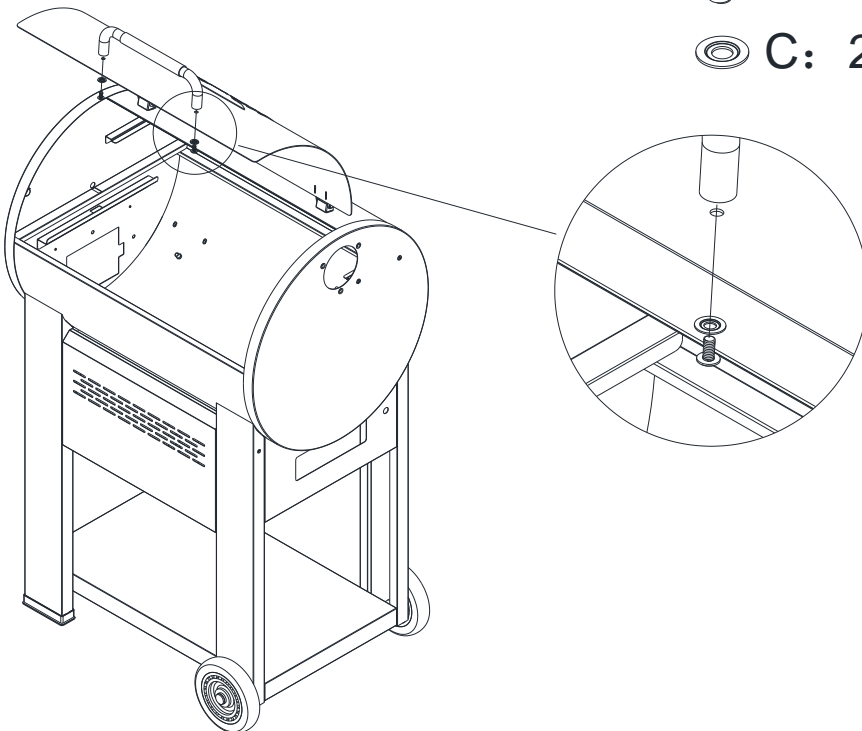


STEP 10

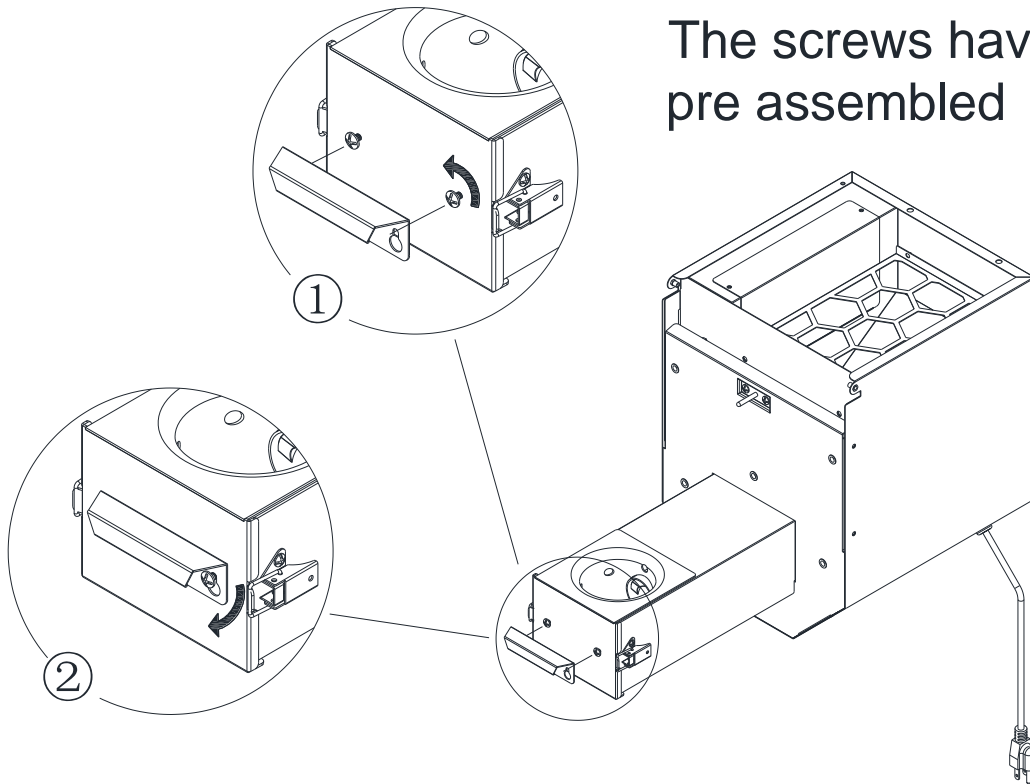


 A: 2PCS

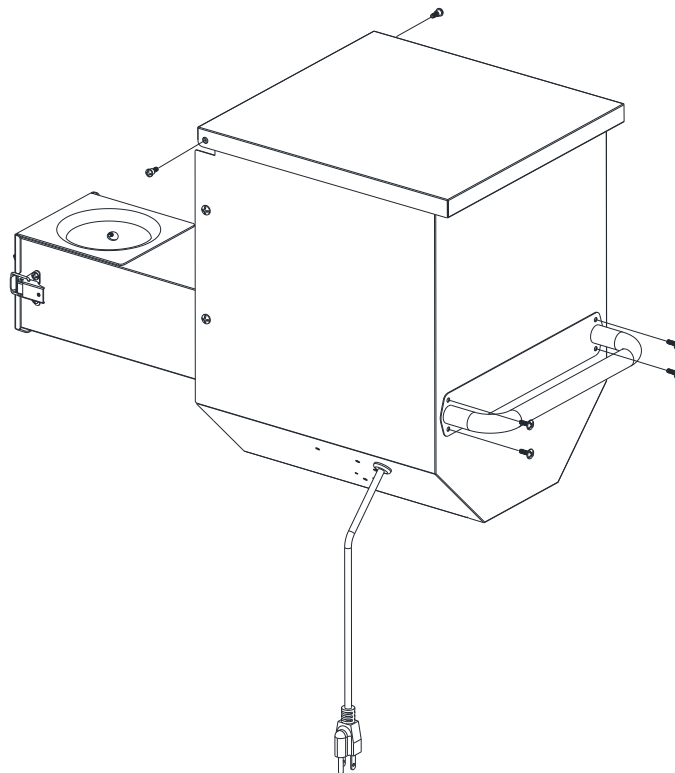
 C: 2PCS



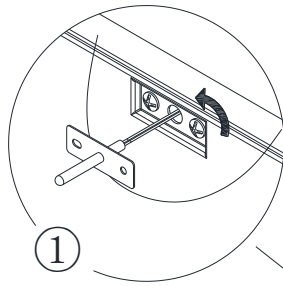
## STEP 11



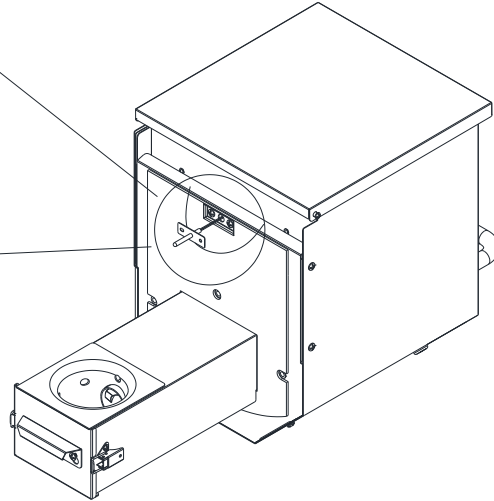
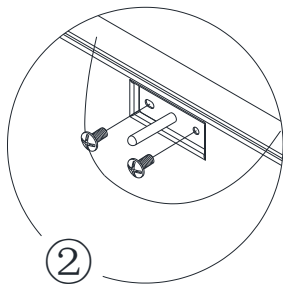
## STEP 12



## STEP 13



The screws have been pre assembled

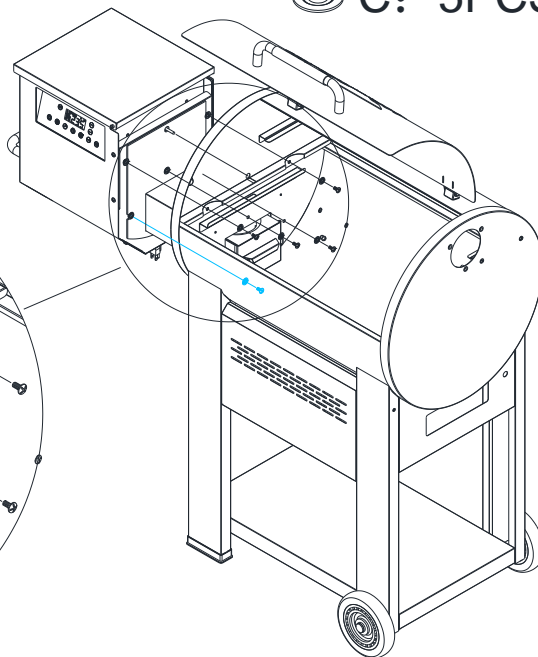
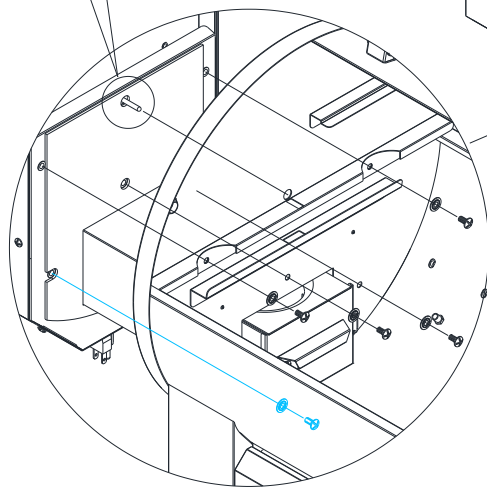


## STEP 14

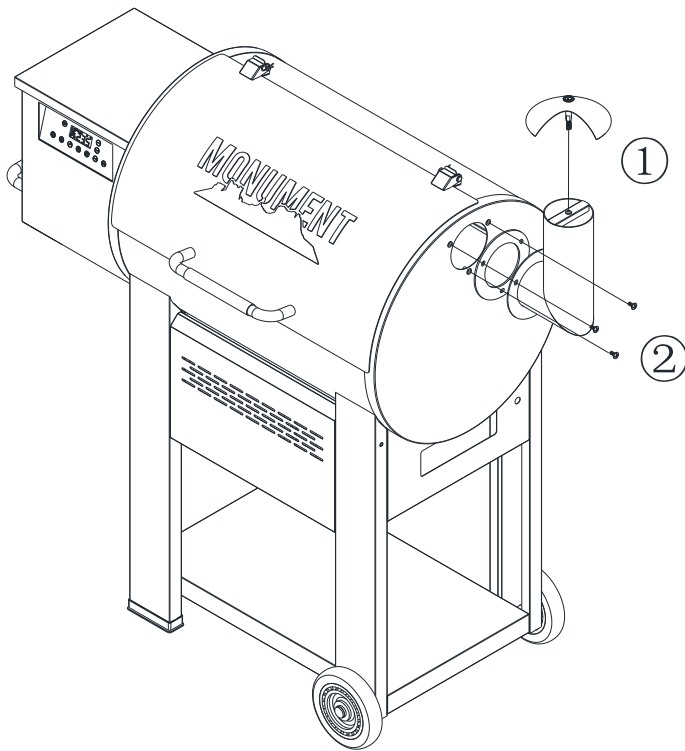


 A: 5PCS

 C: 5PCS

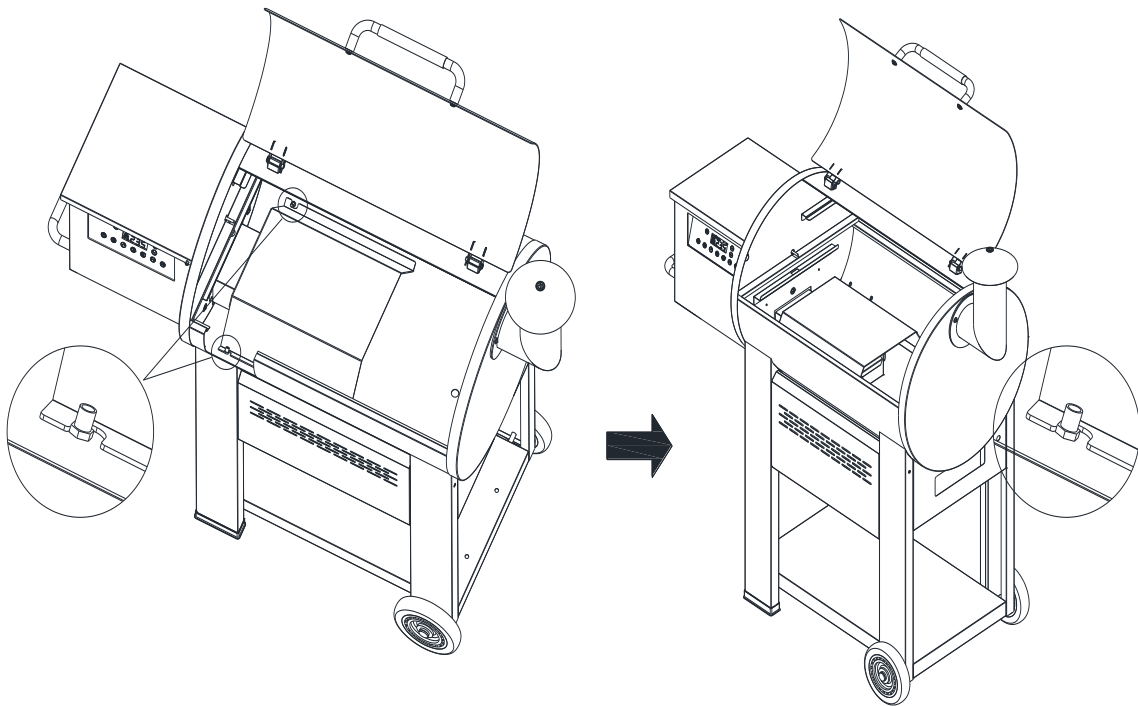


STEP 15

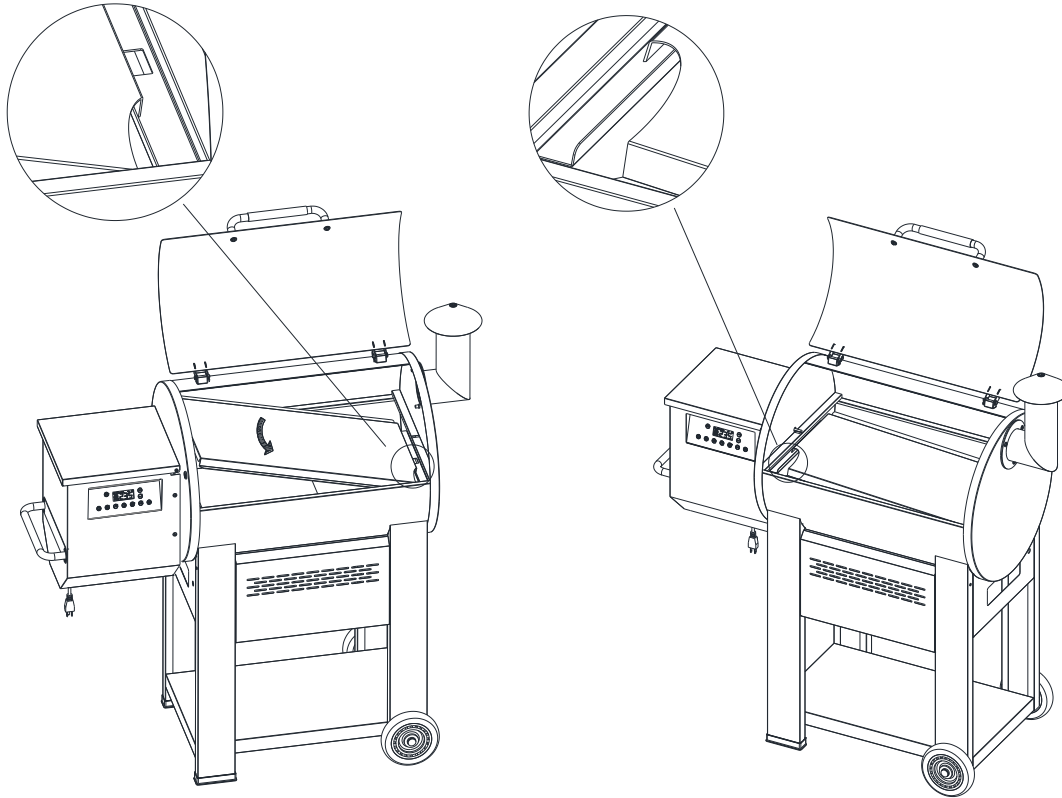


A: 3PCS

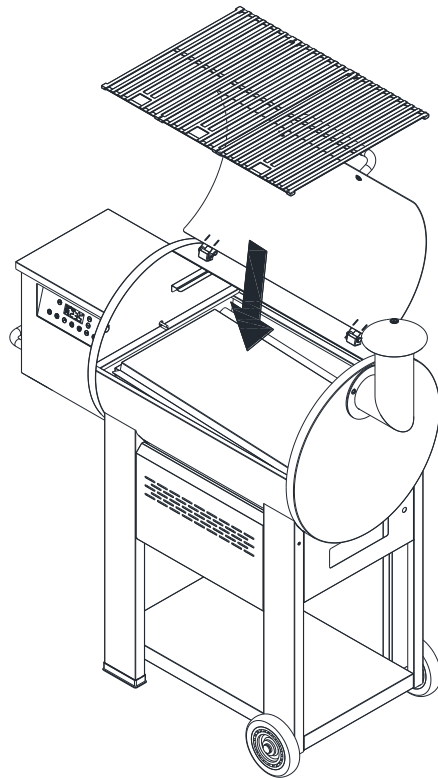
STEP 16



STEP 17

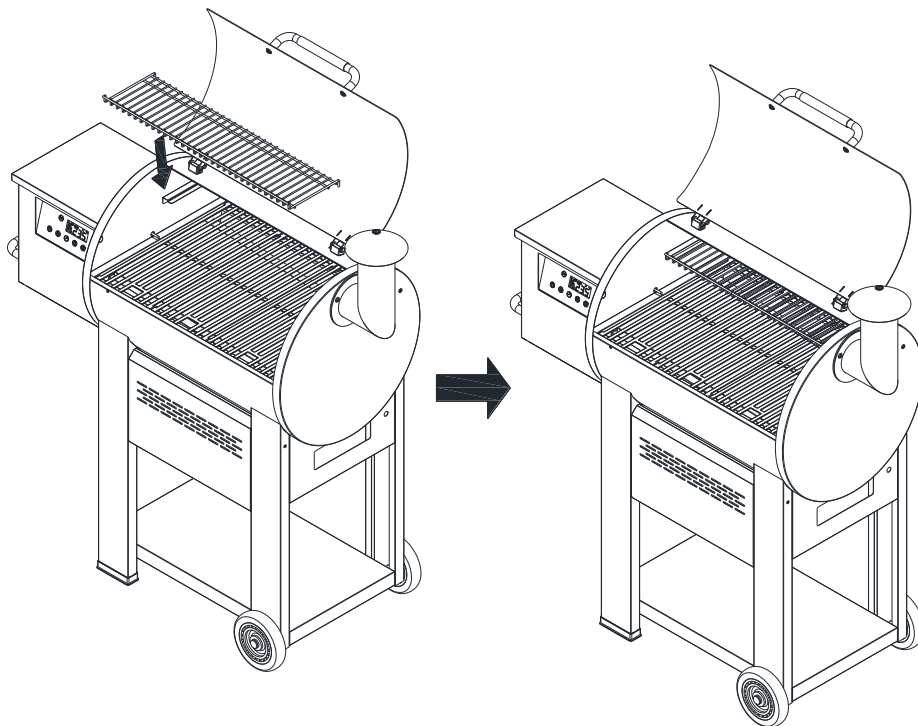


STEP 18

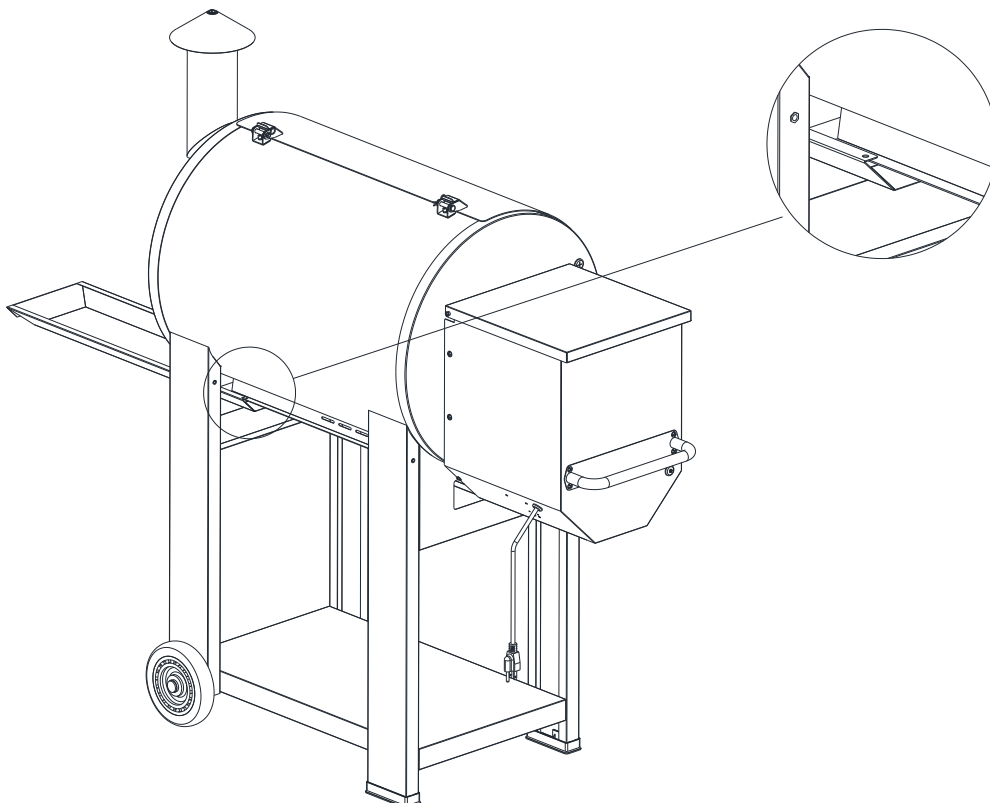




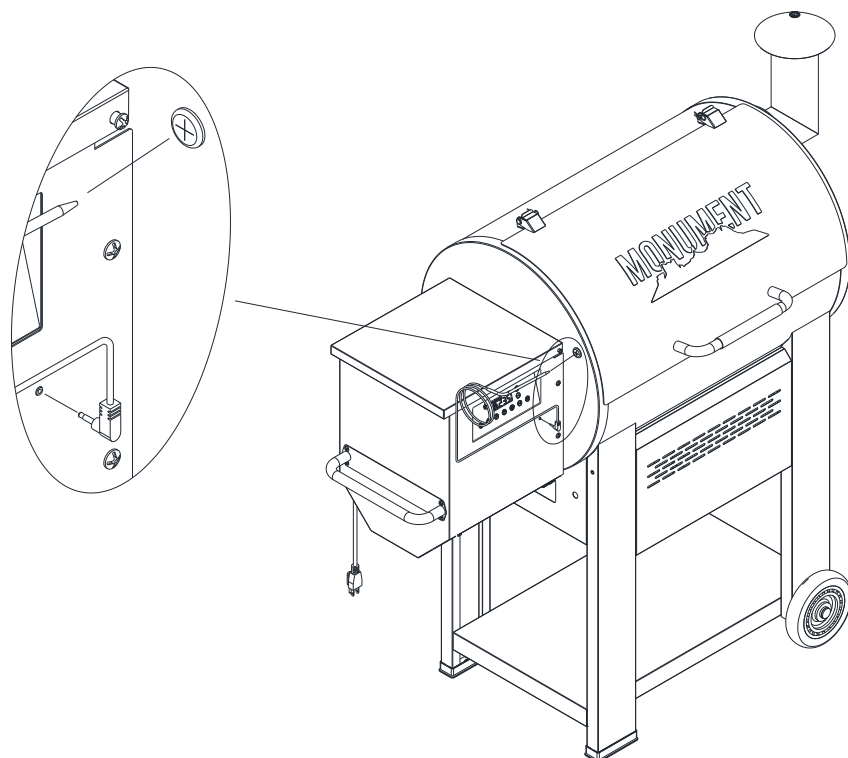
STEP 19



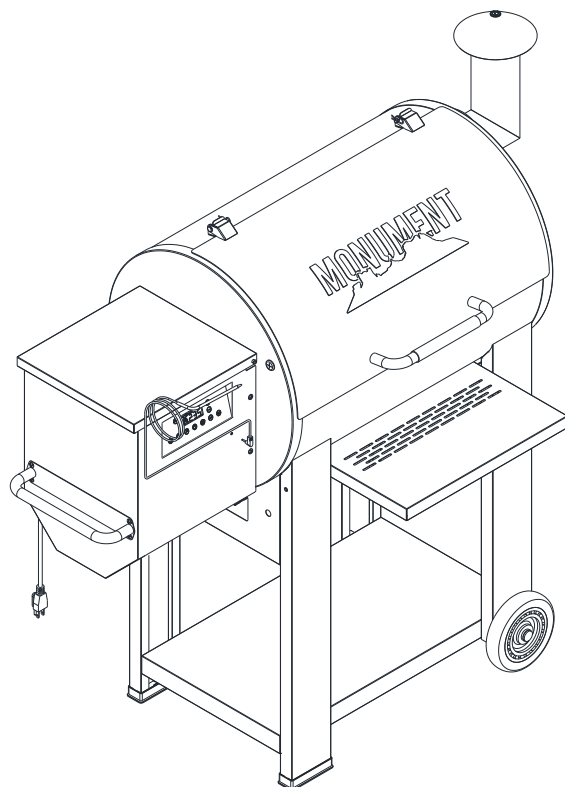
STEP 20



STEP 21



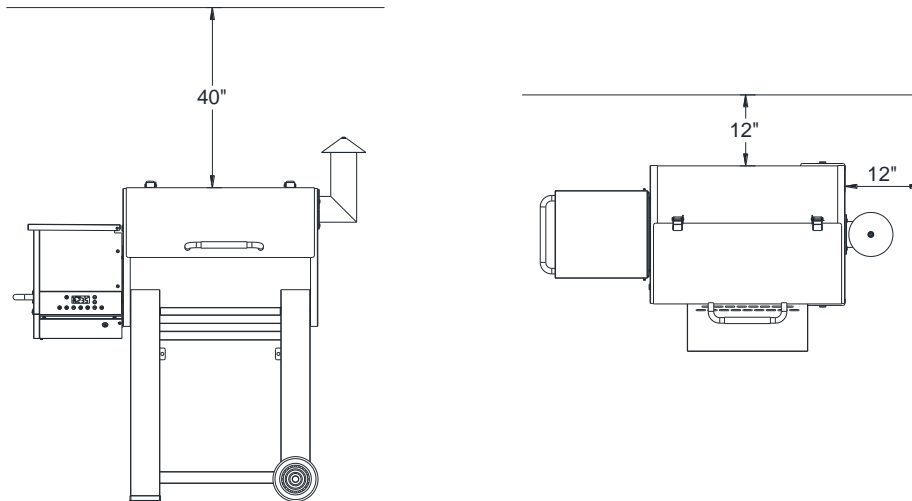
STEP 22



## 7. Use of the Pellet Grill

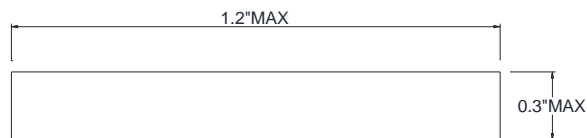
### 7.1 Placement of the Device

The pellet grill should be placed in outdoor open and ventilate area, and keep at least the distance shown in the picture with fixed facilities around and keep far away from flammable and combustible materials.



### 7.2 Selection of Fuels

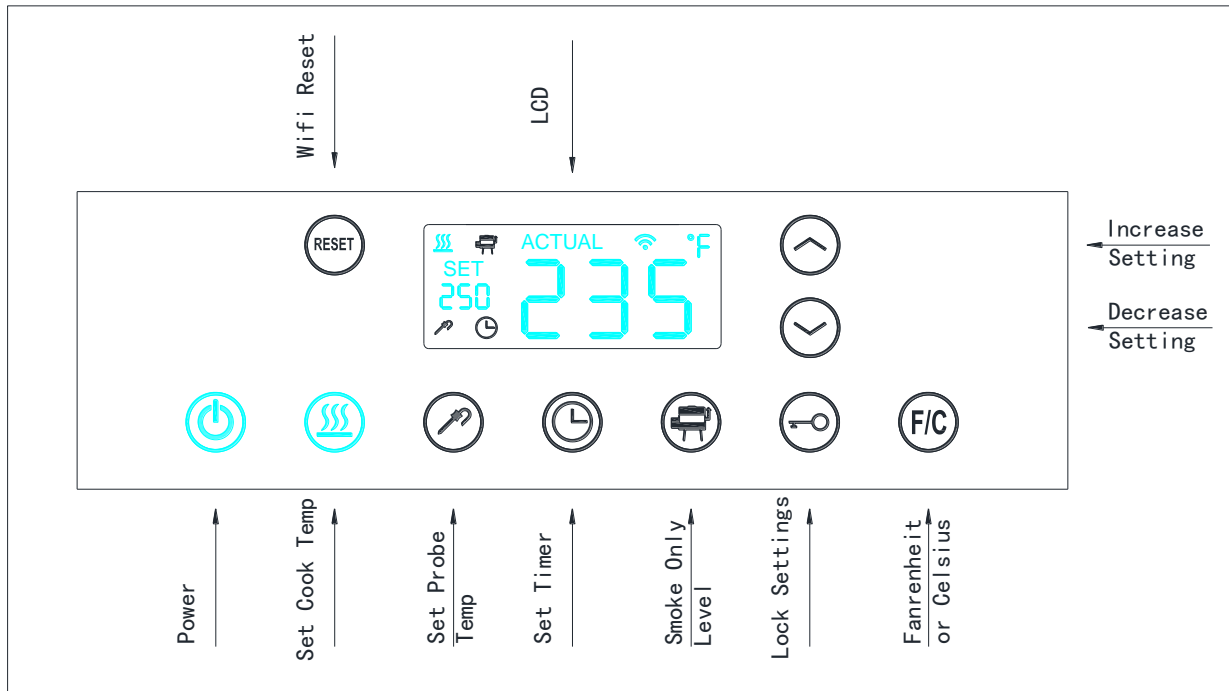
Standard wood pellet fuel should be selected for the grill, and this kind of fuel can be bought in surrounding stores. Users can buy fuels of different materials according to your own preference, but the granularity of fuel should not be more than 1.2"x0.3". If the fuel pellets are too large, the device may be extinguished due to poor feeding.



### 7.3 Confirmation before Powering on

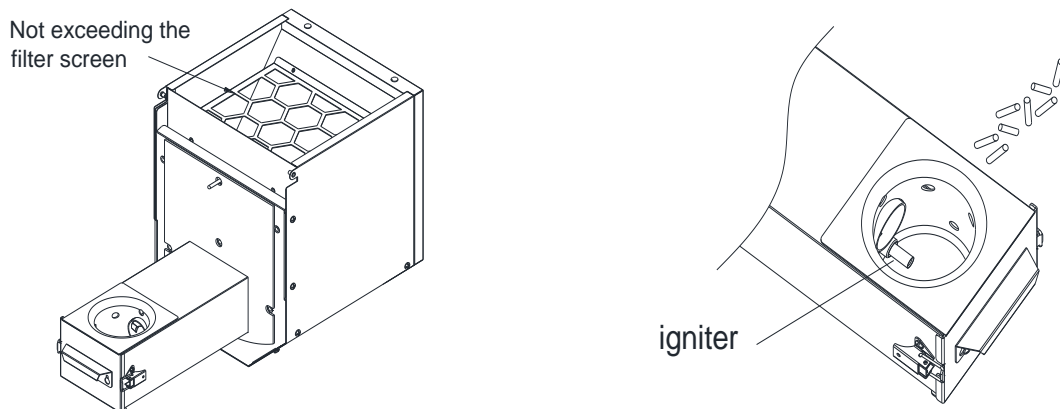
Before powering on the device, you should re-confirm the safety of surrounding power environment, and there is no damp or bare wire in the socket and plug.

## 7.4 Button Interface



## 7.5 Ignition Instruction

Before each ignition, please clean up the residual ash in the burning chamber. Then add new fuel to the control box, it is better not to exceed the filter screen of the control box (about 2/3); put small amount of new fuel into the burning chamber, and it is best that the fuel covers the ignition rod 1~2 layers in a pyramid shape. Then put the fire-block plate, oil guide plate and grilling grate and then close the cover, turn on the Power button and choose the required mode.



The device begins to ignite. White smoke will be emitted during the ignition of the fuel, and personnel can stay away from the operating device before the completion of the ignition.

What needs to pay attention is, to save power, the ignition rod will work only when the Cook or Smoke mode is first selected after powering on, and it will not work in other conditions, so if the fuel is found not ignited, you should turn off the Power button first and turn on the Power button again and choose corresponding mode to ignite again.

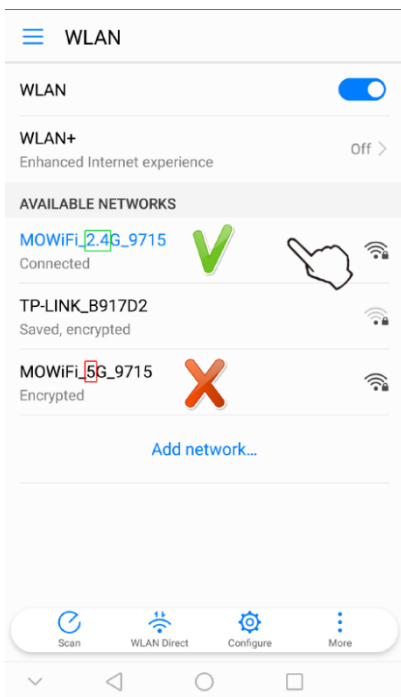
## 7.6 Download of the App

Users may search "SmartSmoker YM" in Android store or Apple store to download the App of the device.

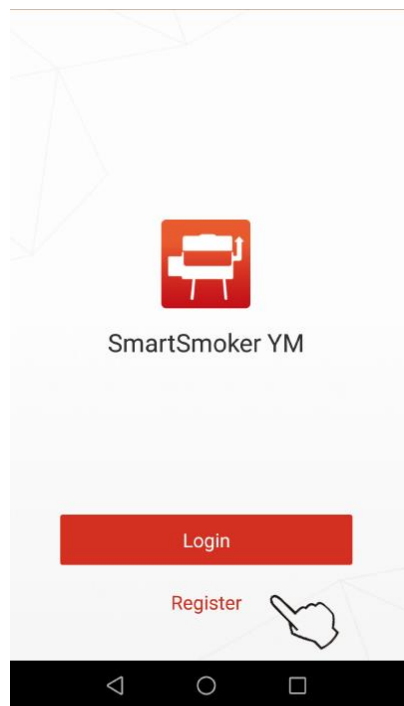
## 7.7 Connection of the App

### ① Selection of Mobile Phone Network

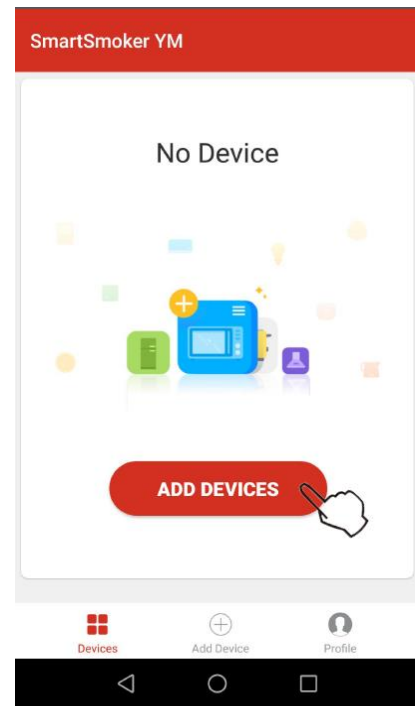
This device will automatically select 2.4Ghz WLAN (2.4Ghz transfers more distances than 5Ghz and is more widely used), so before connecting mobile phone App, please make sure the mobile phone connection is 2.4G WLAN, see (picture 1), and 5Ghz network connection will cause connection failure. Almost all routers are dual band and sometimes you cannot tell which band you are using. If that is the case you can try the set up but if the grill and phone do not connect you will need to set up you router to explicitly use the 2.4Ghz channel. You should consult you router manual or ISP for this setting change.



Picture 1



Picture 2



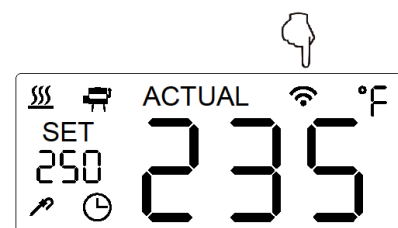
Picture 3

### ② User Registration

Open the App, enter the user registration interface (picture 2), and you can conduct corresponding operation to complete the registration according to the prompt. After the registration, you can directly enter the App user interface (picture 3).

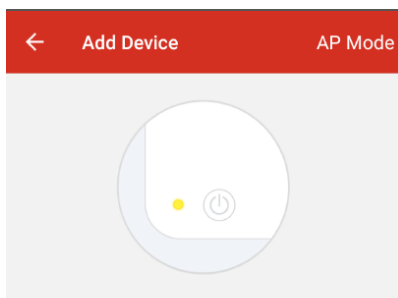
### ③ Add the Device

Now, you can add the device. First, you need to put the grill in pairing mode. Observe the WIFI indicator on the touch panel display of the pellet grill (picture 4). After the device is turned on, the icon flashes by default (rapid flashing once per second). If the WIFI indicator is off (connection failed) or it is on all the time (connected), you can reset to Pairing mode (rapid flashing) by pressing and holding the WIFI reset button for 3 seconds.



Picture 4

Continue to add the device. Click “ADD DEVICES” as picture 3 shown to enter the device adding interface, click “confirm” (picture 5), and the device will be connected in the flash mode.



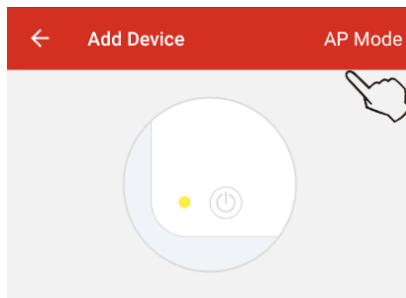
Power on the device and confirm that indicator light rapidly blinks

[How to make indicator rapidly blink](#)

Confirm indicator rapidly blink



Picture 5



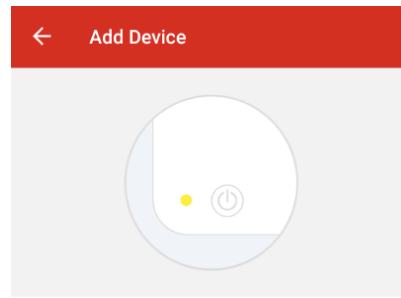
Power on the device and confirm that indicator light rapidly blinks

[How to make indicator rapidly blink](#)

Confirm indicator rapidly blink



Picture 6



Power on the device and confirm that indicator light slowly blinks

[How to make indicator slowly blink](#)

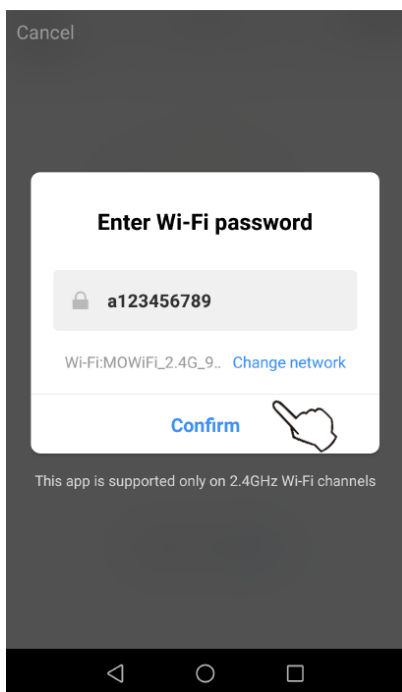
Confirm indicator slowly blink



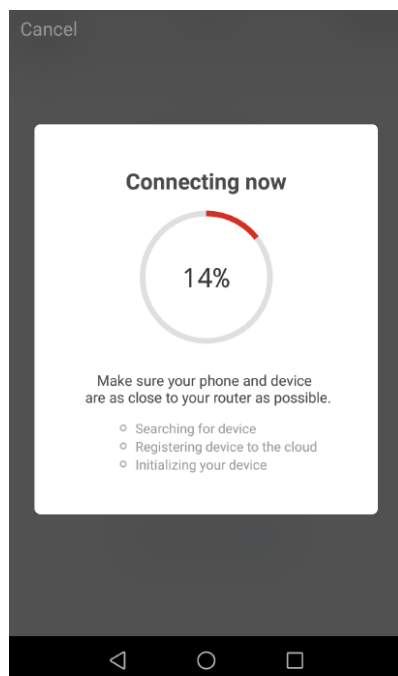
Picture 7

If there is poor compatibility or difficult connection of your mobile phone, try to connect in alternative pairing mode (slow flash mode). First switch the pellet grill to Alternative Pairing mode (slow flash) by holding the WIFI rest for 3 seconds, then click “AP Mode” in the upper right hand corner of the App screen (picture 6), and then click the confirm button (picture 7).

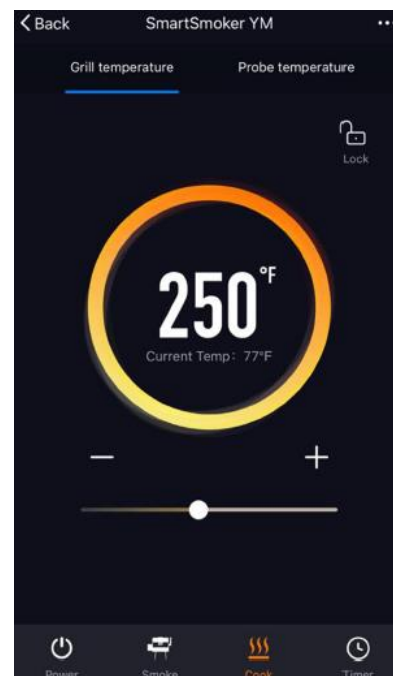
Once there is connectivity in either mode, enter the network password, click “Confirm” (picture 8), the device starts to connect (picture 9), and it is probably to take about 10 seconds. When the progress bar reaches 100%, the connection will be successful. As shown in picture 10, you can directly control your pellet grill through the mobile phone. Click the center of the screen to switch between Fahrenheit and Celsius. Once you are connected the user interface for grilling is very intuitive. If your grill does not connect it is likely that you are 1) too far from your WIFI router. Make sure that you have signal to your phone when setting up or 2) that you are not on a 2.4Ghz channel



Picture 8



Picture 9



Picture 10

## **7.8 Turn off the Device**

To safely turn off the grill follow the steps below.:

- 1) Open the upper cover of the control box, remove the residual fuel from the box and keep it properly for next use;
- 2) Let the grill continue to work 5 to ten minutes to discharge the fuel in the feeder;
- 3) Next, click Power button to turn off the device, but do not unplug the power right now. At this time, the cooling fan will continue to work for 5 minutes until the fuel is burned off and extinguished.
- 4) Finally, please unplug the power, and store the grill in a cool and ventilated place to avoid sun exposure and heavy rain.

## **7.9 Cooking Instructions**

### **Breaking In the Grill**

We suggest turning the grill to 350F for ½ hour before cooking on the grill for the first time. This will burn off any manufacturing oils and cure the paint.

### **Cooking**

Once the grill is ignited, you can begin cooking by selecting any of the cooking temperatures. Cooking should be done with the lid closed only. If the lid is left open the feed rate will increase and the temperature will overshoot. You should cook all meat using the temperature probe to ensure that the internal temperature of the meat reaches the recommended temperature for the level of done desired.

### **Meat Probes**

This smoker has a built in meat probes to measure the temperature of the food as it is being cooked. To use the probe insert the probes into the food. Plug the connectors into the receptacle into the front of the control panel. The probe temp shows on the lower left side of the display on the front

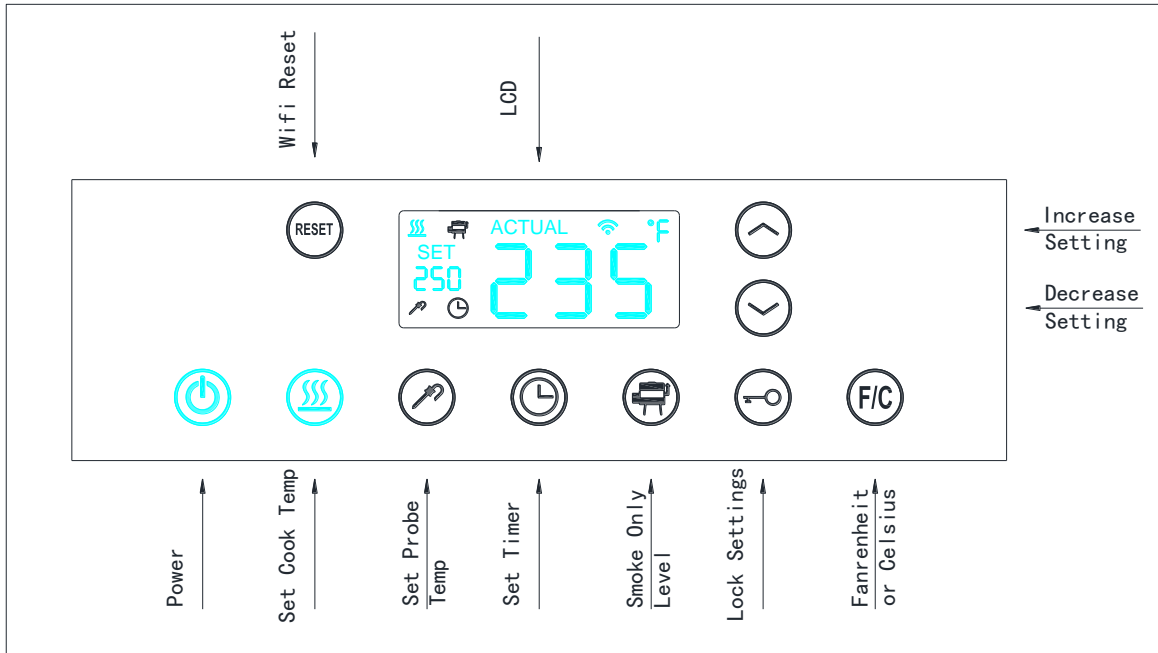
### **Cleaning**

Clean grates using a wire grill brush. This should be done with each use. DO NOT use oven cleaner or abrasive cleaners on the painted grill surfaces. Use warm soapy water on all painted surfaces. Clean grease pan, grease trough, and grease drain tube occasionally. A spatula can be used to scrape excess grease and a grill brush to brush clean. Do not allow grease to build up on the grease tray or in the grease trough as this can cause flare-ups inside the grill. Make sure not to obstruct the flow of grease off of the tray and into the grease trough. Make sure not to block the airflow to the temperature sensor on the left side of the grill.

### **Chimney Cleaning**

When wood pellets are burned slowly, they produce tar and other organic vapors that combine with expelled moisture to form creosote. The creosote vapors condense in a relatively cool oven chimney of a slow burning fire. As a result, creosote residue accumulates on the chimney. When ignited, this creosote makes an extremely hot fire. The chimney should be inspected at least twice a year to determine when grease and or creosote buildup has occurred. When grease or creosote has accumulated, it should be removed to reduce risk of fire. Use a wire brush to clean the screen area of the chimney outlet on the inside of the grill with every 50 hours of use.

## 8. Button Function Description



This button is Wifi reset button, which is for resetting or switching Wifi mode. It needs to press and keep 3 seconds to operate, and the icon on the LCD shows the connection status of Wifi:

The icon is always on: Wifi is successfully connected, and you can operate the device through mobile phone APP;

The icon is off: Wifi connection failed, please press and keep the button to reset Wifi then connect again;

The icon flashes quickly (one time each second): You can connect the phone, please select the quick flash mode for the App;

The icon flashes slowly (one time every three seconds): You can connect the phone, please select the slow flash mode;



This button is the power button of the device. You can operate other buttons only when the button is on; if the button is off, the device is in the stop state, and other button cannot be operated. The corresponding buttons in the APP have the same functions.



This button is the cooking button. When it is on, you can enter the ordinary cooking mode, and the corresponding icon on the LCD will be on. You can choose the default setting or set the cooking temperature yourself, (SET area on the LCD has corresponding display). App will automatically synchronize the device. The corresponding buttons in the APP have the same functions and the device begins to work after setting.




The button is smoking button. When it is on, you can enter the smoking mode, and the corresponding icon on the LCD will be on. You can choose “1 (less smoke)” or “2 (more smoke)” (SET area on the LCD has corresponding display). App will automatically





synchronize the device. Smoking is used instead of cooking when you want smoke but little or no heat. This mode is used when cold smoking items like cheeses or nuts. The corresponding buttons in the APP have the same functions and the device begins to work after setting.

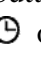

The device can only choose one mode to work in the cooking button and the smoke button. No matter which mode is selected, the other mode will be automatically turned off.



This button is the probe display and set button (external barbecue probe needs to be connected). After it is selected, the probe works, and the corresponding icon  on the LCD will be on. You can choose the default settings or set the cooking temperature yourself (SET area on the LCD has corresponding display). App will automatically synchronize the device. The corresponding buttons in the APP have the same functions and the device begins to work after setting.

The device will buzz after reaching the set temperature, and you can press any button to cancel the buzz. The device will be off in case of no operation within 2 minutes. Long press for 3 seconds can exit the mode. When the button is on, the display priority is higher than  and the .




This button is timing on/off button. When it is on, you can enter the counting down mode, and the corresponding icon  on the LCD will be on. You can choose default settings or set the counting down time yourself (SET area on the LCD has corresponding display). App will automatically synchronize the device. The corresponding buttons in the APP have the same functions and the device begins to work after setting. The device will buzz after reaching the set time, and you can press any button to cancel the buzz. The device will be off in case of no operation within 2 minutes. Long press for 3 seconds can exit the mode. When the button is on, the display priority is higher than .



This button is the child lock on/off button. When it is on, you can enter the child lock mode and at this time, you cannot operate any button. It is used to avoid children's wrong operation. The button can only be unlocked with long press for 3 seconds, and other buttons can be used only after it is unlocked. App will automatically synchronize the device and the corresponding buttons in the APP have the same functions.



This button is the unit switch button. The Fahrenheit temperature is displayed by default. When it is on, it can display Celsius temperature, and it can be switched back to Fahrenheit. The corresponding icon  on the LCD will automatically switch. The app will automatically synchronize with the device, and click the temperature display position in the center of the App interface to switch units.



This button is the button for increasing numbers. You can complete the number "+1" operation for each click.



This button is the button for decreasing numbers. You can complete the number "-1" operation for each click.

In case of each successful operation of above buttons, the device will have a “beep” sound, please listen carefully.

The fan will continue to operate for 5 minutes to prevent fuel re-ignition each time the key is turned on for shutdown.

If the detection temperature of the sensor in the grill is lower than 120 °F for 15minutes, the device will beep for 2 minutes to indicate that the combustion is extinguished. Pressany key to cancel the buzz. The device will be off in case of no operation within 2 minutes.

## 9. Trouble Shooting

Failure description	Failure diagnosis	Troubleshooting
The device ignition fails	There is fuel in the fire cup but it is not ignited	Turn the dial off and on and try to ignite again
	No fuel in the fire cup because the fuel pellet is too large to enter the feeder	Change to smaller fuel
	The feed screw stops	Check whether the circuit is abnormal or change the feed motor
	The ignition rod does not work	Check whether the circuit is abnormal or change the ignition rod
“Err” shows on the LCD	Failure of the sensor in the grill	Check or change the sensor in the grill
App connection fails	The mobile phone automatically connects 5G network	Connect your phone to a 2.4G network
	It is too far from the router, and the signal is poor	Keep the grill close to the router, no more than 30 meters
	The password of wifi entered is wrong	Enter the password again for connection
	Mode setting is wrong	Reset wifi and choose quick flash or slow flash connection
Buzzing	The barbecue probe reaches the set temperature	Press any button to cancel the buzz
	Timing reaches the set time	Press any button to cancel the buzz
	The smoke grill is extinguished	Add fuel again to ignite
	The barbecue probe has not been connected	Connect the barbecue probe
	The sensor in the grill is poorly connected or is damaged	Change the sensor in the grill