

This Owner's Manual is provided and hosted by [Appliance Factory Parts](#).



MAGIC CHEF HMBR265BE Owner's Manual

[Shop genuine replacement parts for MAGIC CHEF
HMBR265BE](#)



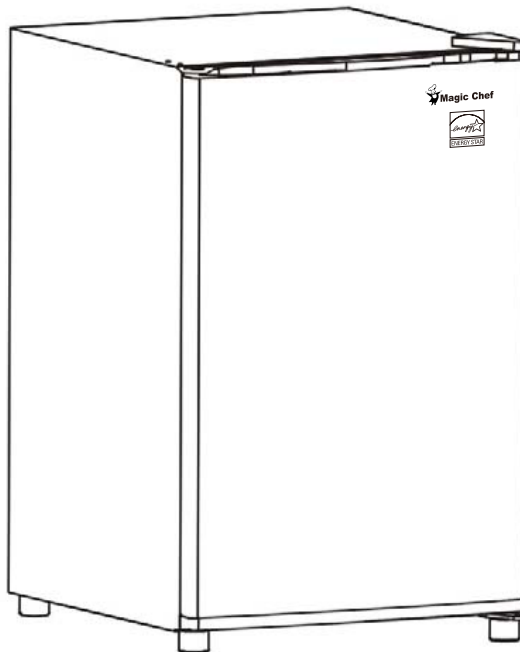
[Find Your MAGIC CHEF Refrigerator Parts - Select From 316 Models](#)

----- Manual continues below -----



2.6 CU.FT. COMPACT REFRIGERATOR INSTRUCTION MANUAL

**Model No.: HMBR265WE
HMBR265BE
HMBR265SE**



To ensure proper use of this appliance and your safety, please read the following instructions completely before operating this appliance.

Product Registration Copy

Thank you for purchasing a Magic Chef product. The first step in protecting your new product is to complete the product registration form on our website at www.mcappliance.com/register. The benefits of registering your product include the following.

1. Registering your product will allow us to contact you regarding a safety notification or product update
2. In the event that warranty service is required, registering your product will allow for more efficient warranty service processing..
3. In the event of an insurance loss registering your product could act as your proof of purchase.

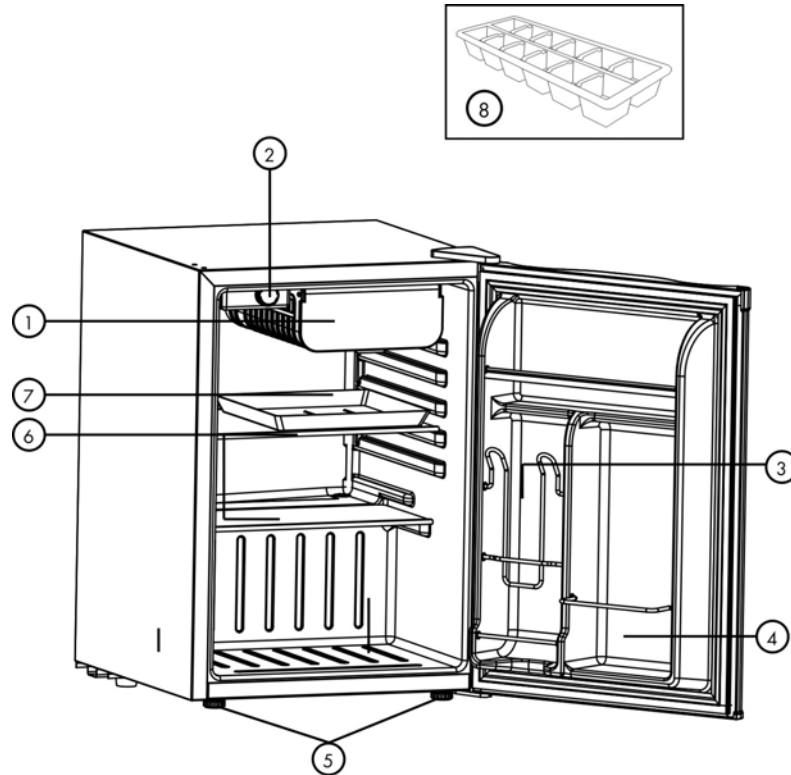
Once again thank you for purchasing a Magic Chef product.

TABLE OF CONTENTS

NAMES OF THE PARTS.....	2
SPECIFICATIONS.....	3
IMPORTANT SAFETY INSTRUCTIONS.....	4
INSTALLATION INSTRUCTION	
BEFORE USING YOUR REFRIGERATOR.....	4
INSTALLING YOUR REFRIGERATOR	4
ELECTRICAL CONNECTION.....	5
OPERATING YOUR REFRIGERATOR	
TEMPERATURE CONTROL.....	6
MAKING THE ICE CUBES.....	6
HOW TO DEFROST.....	7
ASSEMBLING LEGS.....	7
DOOR REVERSAL INSTRUCTION	8
CARE AND MAINTENANCE	
CLEANING YOUR REFRIGERATOR.....	9
VACATION TIME.....	9
MOVING YOUR REFRIGERATOR.....	9
ENERGY SAVING TIPS.....	9
TROUBLESHOOTING GUIDE.....	10
REFRIGERATOR WARRANTY.....	11

NAMES OF THE PARTS

MODEL NO. HMBR265WE



- | | |
|---|------------------------------------|
| (1) Half-Width Freezer | (5) Adjustable Front Leveling Legs |
| (2) Adjustable Temperature Control | (6) Removable Glass Shelves |
| (3) "Dispense-A-Can"™ Storage | (7) Drip Tray |
| (4) Accommodates 2 liter and tall bottles | (8) Ice Cube Tray |

⚡ WARNING ⚡ : Never touch the interior of the Freezer Chamber or frozen foods in the compartment with wet hands as this could result in frost bite.

SPECIFICATIONS – Model # HMBR265WE.BE.SE

Product Description	Magic Chef 2.6 cu.ft. ENERGY STAR [®] Qualified Refrigerator		
Model No.	HMBR265WE.BE.SE		
Capacity	2.6 Cu. Ft.		
Unit Dimensions (inches)	Width	Height	Depth
	17.5"	19.3"	25"
Net Weight (lbs)	41.9(lbs)		

IMPORTANT SAFETY INSTRUCTIONS

⚡WARNING⚡	To reduce the risk of fire, electrical shock, or injury when using your refrigerator, follow these basic precautions:
<ul style="list-style-type: none">• Read all instructions before using the refrigerator.• DANGER or WARNING: Risk of child entrapment.• To avoid the possibility of child entrapment, please take the following precautions before throwing out the refrigerator.<ul style="list-style-type: none">- Remove all doors from the unit.- Leave the shelves in place so that children may not easily climb inside.• Never allow children to operate, play with, or crawl inside the refrigerator.• Never clean refrigerator parts with flammable fluids. The fumes can create a fire hazard or explosion.• Do not store or use gasoline or any other flammable vapors and liquids in the vicinity of this or any other refrigerator. The fumes can create a fire hazard or an explosion. <p style="text-align: center;">-Save these instructions-</p>	

INSTALLATION INSTRUCTIONS

Before Using Your Refrigerator

- Remove the exterior and interior packing.
- Before connecting the refrigerator to the power source, let it stand upright for approximately 4 hours. This will reduce the possibility of a malfunction in the cooling system from improper handling during transportation.
- Clean the interior surface with lukewarm water using a soft cloth. (Cleaning instruction on page 9)

Installing Your Refrigerator

- This appliance is designed to be free standing only, and should not be recessed or built-in.
- Place your refrigerator on a floor that is strong enough to support the refrigerator when it is fully loaded.
- Allow 5 inches of space between the back and sides of the refrigerator, which allows the proper air ventilation. Adjust the feet to keep the refrigerator level.
- Locate the refrigerator away from direct sunlight and sources of heat (stove, heater, radiator, etc.). Direct sunlight may affect the acrylic coating and heat sources may increase electrical consumption. Ambient temperature below 50°F or above 85°F will hinder the performance of this appliance. **This unit is not designed for use in a garage or any other outside installation.**
- Avoid locating the refrigerator in moist areas.
- Plug the refrigerator into dedicated, properly installed-grounded wall outlet. Do not under any circumstances cut or remove the third (ground) prong from the power cord. Any questions concerning power and/or grounding should be directed toward a certified electrician or an authorized service center. **This unit is not designed to be installed in an RV or used with an inverter.**
- After plugging the appliance into a wall outlet, turn the unit on and allow the unit to cool down for 2~3 hours under before placing food in the refrigerator or freezer compartment.

Electrical Connection

⚡WARNING⚡

Improper use of the grounded plug can result in the risk of electrical shock. If the power cord is damaged, have it replaced by an authorized service center.

This refrigerator should be properly grounded for your safety. The power cord of this refrigerator is equipped with a three-prong plug which mates with standard three prong wall outlets to minimize the possibility of electrical shock.

Do not, under any circumstances, cut or remove the third ground prong from the power cord supplied.

This refrigerator requires a standard 115V~ / 60Hz electrical outlet with three-prong ground.

This refrigerator is not designed to be used with an inverter.

The cord should be secured behind the refrigerator and not left exposed or dangling to prevent accidental injury.

Never unplug the refrigerator by pulling the power cord. Always grip the plug firmly and pull straight out from the receptacle.

Do not use an extension cord with this appliance. If the power cord is too short, have a qualified electrician or service technician install an outlet near the appliance. Use of an extension cord can negatively affect the performance of the unit.

If any problems with the appliance persist, please contact our Customer Service Dept. to consult with a representative at **888 775-0202** or visit our website to request warranty service at **www.mcappliance.com**.

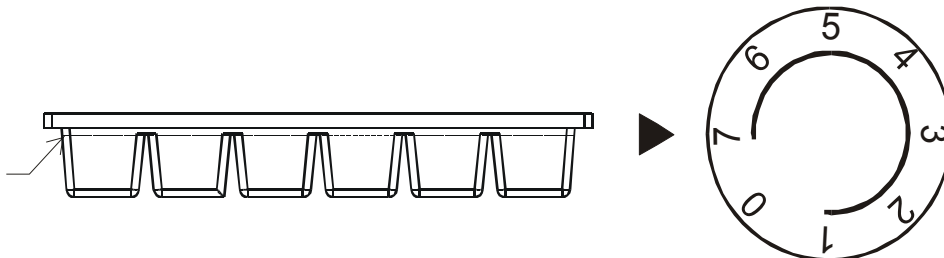
OPERATING YOUR REFRIGERATOR

Temperature Control

- Your refrigerator has one control for regulating the temperature. The temperature control is located on the top left hand corner of the refrigerator compartment
 - The first time you turn the unit on, adjust the temperature control knob to “7” and run for at least 2 hours before putting foods inside. This will ensure the cabinet is thoroughly chilled before food is put in.
 - The range of the refrigerator temperature control is from position “1” the warmest to “7” the coldest. Adjust the temperature control to the setting that best suits your needs. The setting of “4” should be appropriate for home or office refrigerator use.
 - To turn off the refrigerator, please turn the temperature control knob to “0”. Please note that turning the temperature control knob to “0” position stops the cooling cycle, but does not disconnect the power supply to the refrigerator
- **NOTE**
- If the unit is unplugged, loses power; you must wait 3 to 5 minutes before restarting the unit. If you attempt to restart before this time delay, the refrigerator will not start.
 - Large amounts of food will lower the cooling efficiency of the appliance.
 - Do not place the foods on the air outlet, and leave spaces for airflow.
 - If you choose to change the thermostat setting, adjust thermostat control by one increment at a time. Allow several hours for temperature to stabilize between adjustments.

Making the Ice Cubes

Take out the ice cube tray and fill the tray to 80% capacity with drinkable water. Put the ice cube tray back into the freezer compartment and close the door.



- Turn the temperature control knob to “7”.
- Wait for approximately two to five hours.
- Twist the ice cube tray and release the ice cubes.
- Reset the temperature control knob to the normal recommended setting. (“4”)

Assembling Legs

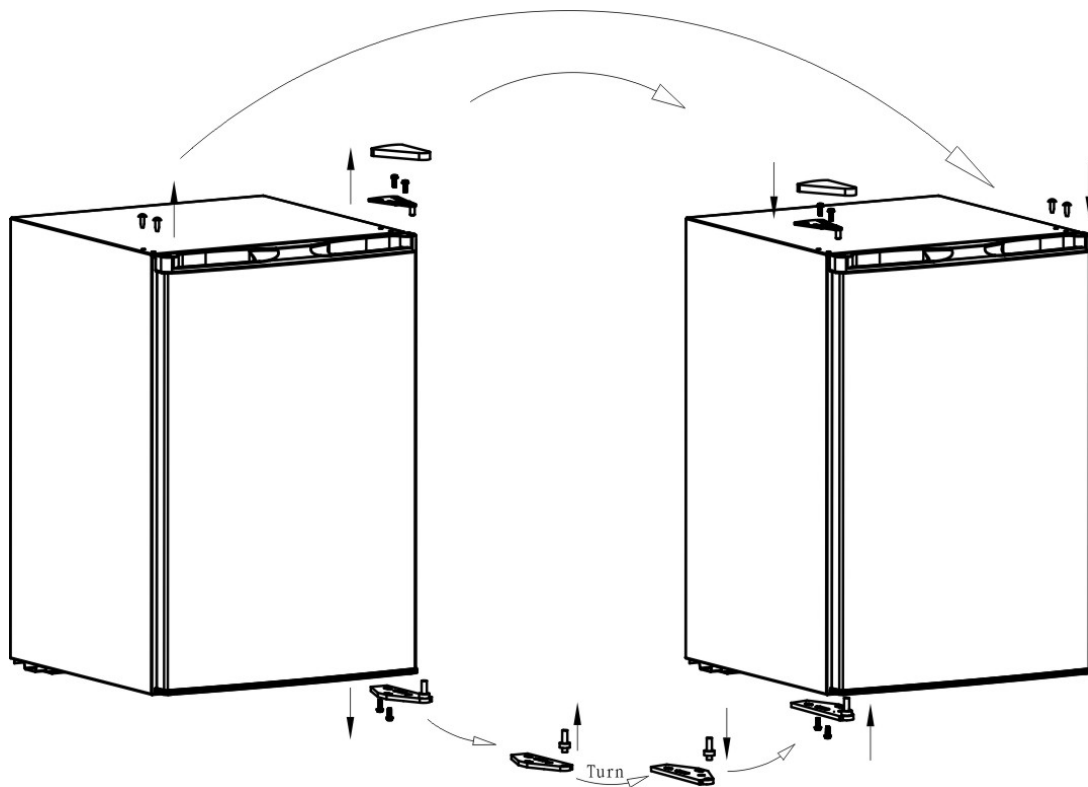
- Your refrigerator has two leveling legs which are located in the front bottom corners of your refrigerator. After properly placing your refrigerator in its final position, you can level your refrigerator.
- Leveling legs can be adjusted by turning them clockwise to raise your refrigerator or by turning them counterclockwise to lower your refrigerator. The refrigerator door will close easier when the leveling legs are extended.

How to Defrost

Defrost whenever frost on the wall of the freezer compartment becomes 1/8" thick. Never use a sharp or metallic instrument to remove frost as it may damage the cooling coils. (A punctured cooling coil will cause serious damage to the product and will void the warranty). We recommend using a plastic scraper. To defrost, remove foods and ice cube tray from the freezer compartment. Make sure the drip tray is in place and unplug the unit. Defrosting usually takes a few hours. To defrost faster, keep the door open and place a bowl of warm water in the refrigerator. After defrosting, empty water from the drip tray and wash the drip tray in warm water.

Door Reversal Instruction

- Remove the top hinge cover.
- Using Phillips Head Screwdriver, loosen and remove the screws holding the top hinge in place.
- Remove top hinge and carefully lift off the door.
- Remove the screw hole plugs from the opposite side and insert the plugs in the screw hole openings of the just removed screws.
- Remove any loose items in the refrigerator and carefully turn refrigerator on its back and place in a secure area.
- Loosen the screws holding the lower hinge bracket to the refrigerator and remove screws and bracket.
- Remove (2) screws from the other side and insert in the previously removed screw holes.
- Remove door pin by turning counter clockwise and reinsert to the underside of the bracket and tighten.
- Align bracket and insert (2) remaining screws into the holes provided .
- Align hole in the door with the door pin and washer and gently push down until firm.
- Align upper hinge bracket with screw holes insert screws and partially secure, check that door and cabinet are properly aligned and then secure tightly.
- Replace hinge cap.



CARE AND MAINTENANCE

Cleaning Your Refrigerator

- Upon installation of your new appliance, it is recommended that it be cleaned thoroughly.
- Turn off the refrigerator first and then unplug the unit from the wall outlet.
- Remove all food content.
- Wash the inside with a damp warm cloth soaked in lukewarm water and baking soda solution. The solution should be about 2 tablespoons of baking soda to a quart of water.
- Be sure to keep the door gasket (seal) clean to keep the unit running efficiently.
- The outside of the refrigerator should be cleaned with mild detergent and warm water.
- Dry the interior and exterior with a soft cloth.

Vacation Time

- Turn off the refrigerator first and then unplug the unit from the wall outlet.
- Remove all the food.
- Clean the refrigerator.
- Leave the lid open slightly to avoid possible formation of condensation, mold, or odors.
- Use extreme caution in the case of children. The unit should not be accessible to child's play.
- **Short vacations:** Leave the refrigerator operating during vacations of less than three weeks.
- **Long vacations:** If the appliance will not be used for several months, remove all food and unplug the power cord. Clean and dry the interior thoroughly. To prevent odor and mold growth, leave the door open slightly: blocking it open if necessary or have the door removed.

Moving Your Refrigerator

- Turn off the refrigerator first and then unplug the unit from the wall outlet.
- Remove all the food.
- Securely tape down all loose items inside your refrigerator.
- Tape the doors shut.
- Be sure the refrigerator stays in the upright position during transportation.

Energy Saving Tips

- The refrigerator should be located in the coolest area of the room, away from heat producing appliances or heating ducts, and out of the direct sunlight.
- Let hot foods cool to room temperature before placing in the refrigerator. Overloading the refrigerator forces the compressor to run longer. Foods that freeze too slowly may lose quality, or spoil.
- Be sure to wrap foods properly, and wipe containers dry before placing them in the refrigerator. This cuts down on frost build-up inside the refrigerator.
- Organize and label food to reduce door openings and extended searches. Remove as many items as needed at one time, and close the door as soon as possible.

TROUBLESHOOTING GUIDE

You can solve many common refrigerator problems easily, saving you the cost of a possible service call. Try the suggestions below to see if you can solve the problem before calling for service.

PROBLEM	POSSIBLE CAUSE
Refrigerator does not operate.	Not plugged in. The circuit breaker tripped or a blown fuse.
Compressor turns on and off frequently.	The room temperature is hotter than normal. A large amount of food has been added to the refrigerator. The door is opened too often. The door is not closed completely. The temperature control is not set correctly. The door gasket does not seal properly. The refrigerator does not have the correct clearances. The refrigerator has recently been disconnected for a period of time. 4 hours are required for the refrigerator to cool down completely.
Temperature inside the refrigerator is too warm.	Temperature control is set too warm. Turn the control to a cooler setting and allow several hours for the temperature to stabilize. Door is kept open too long or is opened too frequently. Warm air enters the refrigerator every time the door is opened. Open the door less often. The door is not closed completely. The door gasket does not seal properly. A large amount of warm or hot food might have been stored recently. Wait until the refrigerator has had a chance to reach its selected temperature. The refrigerator has recently been disconnected for a period of time. 4 hours are required for the refrigerator to cool down completely.
Temperature inside the refrigerator is too cold.	Temperature control is set too cold. Turn the control to a warmer setting and allow several hours for the temperature to stabilize.
Temperature of external refrigerator surface is warm.	The exterior refrigerator walls can be as much as 30°F warmer than room temperature. This is normal while the compressor works to transfer heat from inside the refrigerator cabinet.
Popping or cracking sound when compressor comes on.	Metal parts undergo expansion and contraction, as in hot water pipes. This is normal. Sound will level off or disappear as refrigerator continues to run.
Bubbling or gurgling sound, like water boiling.	Refrigerant (used to cool refrigerator) is circulating throughout the system. This is normal.
Vibrations.	Check to assure that the refrigerator is on a level surface. Floor is uneven or weak. Refrigerator rocks on the floor when it is moved slightly. Be sure floor can adequately support refrigerator. Level the refrigerator by putting wood or metal shims under part of the refrigerator. The refrigerator is touching the wall. Re-level the refrigerator and move it from the wall. See "Installation Instructions".
Moisture forms on inside refrigerator walls.	Weather is hot and humid, which increases internal rate of frost build-up. This is normal. Door is slightly open. Door is kept open too long, or is opened too frequently. Open the door less often. The door is not sealed properly.
Moisture forms on outside of refrigerator.	Door is slightly open, causing cold air from inside the refrigerator to meet warm moist air from outside.
The door will not close properly.	The refrigerator is not on a level surface. The gasket is dirty.



Refrigerator Warranty

Unless otherwise prohibited, MC Appliance Corp. warrants each new Refrigerator to be free from defects in material and workmanship and agrees to remedy any such defect or to furnish a new part(s) (at the company's option) for any part(s) of the unit that has failed during the warranty period. Parts and labor expenses are covered on this unit for a period of one year after the date of purchase. In addition, MC Appliance Corp. warrants the compressor (parts only) to be free from defects in material and workmanship for a period of 5 years. The consumer is responsible for all labor and transportation expenses related to the diagnosis and replacement of the compressor after the initial one - year warranty has expired. **A copy of the dated sales receipt / invoice is required to receive warranty service.**

This warranty covers appliances in use within the continental United States, Puerto Rico and Hawaii, and Canada. The warranty does not cover the following:

- Damages due to shipping damage or improper installation.
- Damages due to misuse or abuse.
- Content losses due to failure of the unit.
- Inside components such as door panels, door shelves, racks, light bulbs, etc.
- Punctures to the evaporator system due to improper defrosting of the unit.
- Repairs performed by unauthorized service agents.
- Service calls that do not involve defects in material and workmanship such as instruction on proper use of the product, door reversal or improper installation.
- Replacement or resetting of house fuses or circuit breakers.
- Failure of this product if used for other than its intended purpose.
- Disposal costs of failed units not returned to our factory.
- Any delivery costs incurred as the result of a unit that fails to perform as specified.
- Expenses for travel and transportation for product service if your appliance is located in a remote area where service by an authorized service technician is not available.
- The removal and reinstallation of your appliance if it is installed in an inaccessible location or is not installed in accordance with published installation instructions.
- Liability under this warranty is limited to repair, replacement or refund. If a replacement unit is not available or the unit cannot be repaired, liability is limited to the actual purchase price paid by the consumer.
- This warranty is non-transferable.
- This warranty applies only to the original purchaser and does not extend to any subsequent owner(s).

This warranty is in lieu of all warranties expressed or implied and no representative or person is authorized to assume for us any other liability in connection with the sale of this product. Under no circumstances is the consumer permitted to return this unit to the factory without prior written consent from MC Appliance Corp.

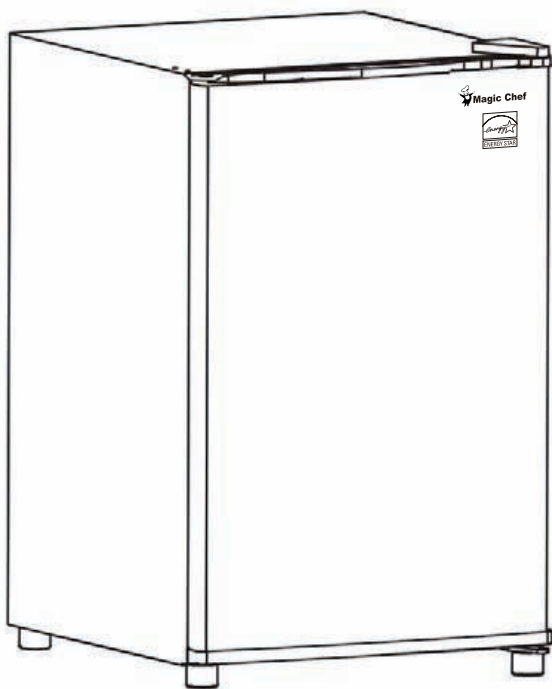
Model	Parts	Labor	Compressor (Part Only)	Type of Service
HMBR265WE	One - Year	One- Year	Five Years	Carry In
HMBR265BE	One - Year	One- Year	Five Years	Carry In
HMBR265SE	One - Year	One- Year	Five Years	Carry In

For Service or Assistance please call 888 775-0202 or visit us on the web at www.mcappliance.com.
to request warranty service.



**REFRIGERADOR DE 2.6 PIES CÚBICOS
MANUAL DE INSTRUCCIONES**

**Modelo N° : HMBR265WE
HMBR265BE
HMBR265SE**



Para asegurar el uso apropiado de este aparato y su seguridad, leyó por favor las instrucciones siguientes completamente antes de operar este aparato.

Copia de Registración Del Producto

Gracias por comprar el producto Magic Chef. El primer paso para proteger su nuevo producto es completar la forma de registración en nuestra pagina Web www.mcappliance/register. Los beneficios de registrar su producto incluyen lo siguiente.

1. Al registrar su producto nos permite contactarle para notificarle de un cambio de seguridad o actualización del producto.
2. Si llegara a necesitar servicio bajo garantía, registrando su producto nos permite ser más eficiente en procesar el servicio.
3. En el evento que usted tenga una perdida que esta cubierto por un seguro, registrando su producto puede servir como prueba de su compra.

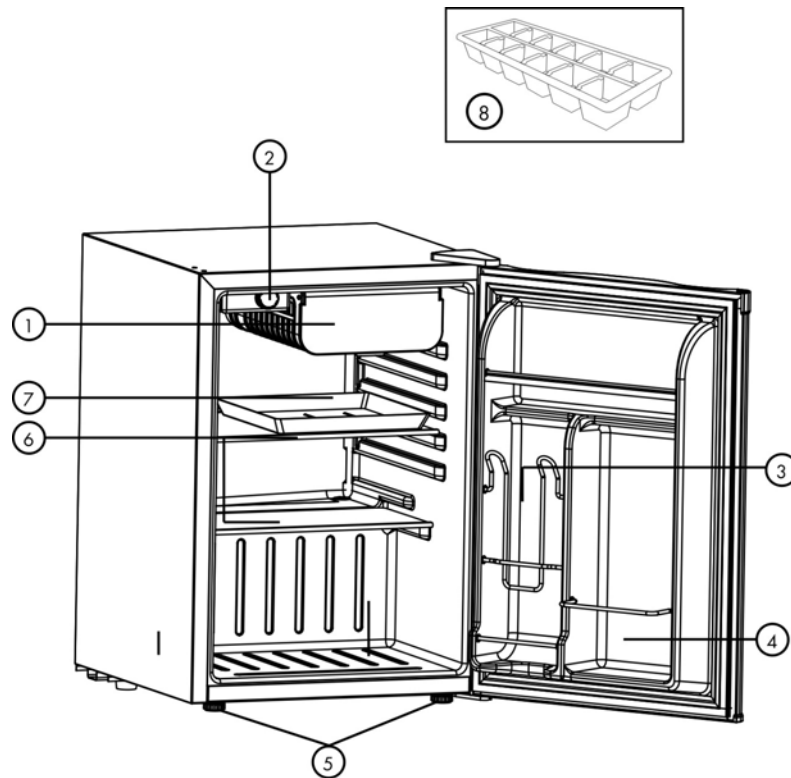
Una vez más gracias por comprar un producto marca Magic Chef.

INDICE DE MATERIAS

LOS NOMBRES DE LAS PARTES.....	2
ESPECIFICACIONES.....	3
LAS INSTRUCCIONES IMPORTANTES DE LA SEGURIDAD.....	4
INSTRUCCIONES DE INSTALACIÓN	
ANTES DE UTILIZAR SU REFRIGERADOR.....	4
INSTALACIÓN DE SU REFRIGERADOR	4 - 5
CONEXIÓN ELÉCTRICA.....	5
OPERAR SU REFRIGERADOR	
CONTROL DE TEMPERATURA	6
PREPARACIÓN DE CUBITOS DE HIELO	6
MONTAJE DE LAS PIERNAS	7
CÓMO DESCONGELAR.....	7
INSTRUCCIONES PARA REVERTIR LA PUERTA.....	8
CUIDE Y LA CONSERVACION	
PARA LIMPIAR SU REFRIGERADOR.....	9
EN LAS VACACIONES	9
PARA CAMBIAR DE LUGAR SU REFRIGERADOR.....	9
RECOMENDACIONES PARA AHORRAR ENERGÍA.....	9
GUÍA DE RESOLUCIÓN DE PROBLEMAS.....	10-11
GARANTIA DE REFRIGERADOR	12

LOS NOMBRES DE LAS PARTES

MODELO NO. HMBR265WE



- | | |
|--|---------------------------------|
| (1) un medio de ancho congelador | (5) patas ajustables delanteras |
| (2) control de temperatura ajustable | (6) estantes removibles cristal |
| (3) dispensador de la lata | (7) inmersión en la bandeja |
| (4) capacidad para 2 botellas de un litro y alto | (8) bandeja de cubitos de hielo |

⚡ ADVERTENCIA ⚡: Nunca toque el interior de la Cámara del Congelador ni alimentos congelados en el compartimiento con manos mojadas como esto podría tener como resultado cubre de escarcha la mordedura.

ESPECIFICACIONES - MODELO N° HMBR265WE.BE.SE

Descripción de producto	Magic Chef Refrigerador		
Modelo No.	HMBR265WE.BE.SE		
Capacidad	2.6 Cu. Ft.		
Dimensiones (pulgadas) de unidad	Anchura	Altura	Profundidad
	17.5"	19.3"	25"
Peso neto	41.9(lbs)		

LAS INSTRUCCIONES IMPORTANTES DE LA SEGURIDAD

⚡ ADVERTENCIA ⚡	Para reducir el riesgo de incendios, golpes de corriente o lesiones cuando utilice su Refrigerador, sírvase tener en cuenta las siguientes recomendaciones básicas:
<ul style="list-style-type: none">• Lea atentamente todas las instrucciones antes de usar el Refrigerador.• EI PELIGRO o ADVIRTIENDO: Riesgo de que los niños queden atrapados.• Para evitar este riesgo, sírvase observar las siguientes recomendaciones antes de lanzar fuera del refrigerador.<ul style="list-style-type: none">- Retire la tapa del Refrigerador.- Deje los estantes en lugar de modo que los niños no puedan subir fácilmente adentro.• No deje que los niños usen el Refrigerador, jueguen con él o se introduzcan en el interior.• No limpie las partes del Refrigerador con productos inflamables. Los vapores pueden originar un incendio o explosión.• No almacene ni use gasolina ni ningún otro gas o líquido inflamable cuando se encuentre cerca de este Refrigerador u otro. Los vapores pueden originar un incendio o explosión. <p style="text-align: center;">-Excepto estas instrucciones-</p>	

INSTRUCCIONES DE INSTALACIÓN

ANTES DE UTILIZAR SU REFRIGERADOR

- Retire el material de embalaje del exterior e interior.
- Antes de conectar el Refrigerador a la fuente de alimentación, déjelo en posición vertical durante 4 horas aproximadamente. De esta forma, se reducirá la posibilidad de mal funcionamiento del sistema de refrigeración debido a manipulación incorrecta durante el traslado.
- Limpie la superficie interior con agua tibia y paño suave. (Limpiando la instrucción en la página 8)

INSTALACIÓN DE SU REFRIGERADOR

- Este electrodoméstico está diseñado para funcionar apoyado sobre el piso y no debe empotrarse ni embutirse en la pared.
- Coloque el Refrigerador sobre un piso que sea lo suficientemente resistente como para sostener el peso del electrodoméstico cuando esté cargado.
- Deje el Refrigerador separado 5 pulgadas de las paredes atrás y de los costados para que haya buena circulación de aire. Ajuste los pies para mantener el refrigerador llano.
- Ubique el Refrigerador fuera de la luz directa del sol y otras fuentes de calor (horno, calentador, radiador, etc.). La luz directa del sol puede afectar la cubierta de acrílico y las fuentes de calor pueden aumentar el consumo eléctrico. La temperatura ambiente debajo de 50°F (10°C) o sobre 85°F (29.4°C) obstaculizará el funcionamiento de esta aplicación. **Esta unidad no se diseña para el uso en un garage o ninguna otra instalación exterior.**
- No coloque el Refrigerador en ambientes húmedos.
- Enchufe el Refrigerador en un toma corriente con la debida descarga a tierra utilizado exclusivamente para este aparato. No corte ni retire la tercera pata (descarga a tierra) del enchufe bajo ninguna circunstancia. Cualquier duda relacionada con la red de electricidad y/o la descarga a tierra debe resolverse con un electricista certificado o un centro de servicios autorizado. **Esta unidad no se diseña para ser instalada en un RV o para ser utilizada con**

un inversor.

- Después de enchufar en el tomacorriente de pared, prende la unidad y permite la unidad enfríe durante 2 ó 3 horas antes de colocar alimentos en el interior.

CONEXIÓN ELÉCTRICA

⚡ ADVERTENCIA ⚡

El uso indebido de la descarga a tierra puede causar golpes de corriente. Si el cable de alimentación está dañado, hágalo reemplazar con un service autorizado.

El Refrigerador debe estar adecuadamente conectado a tierra para su seguridad. El cable de electricidad de este electrodoméstico cuenta con un enchufe de tres patas apto para los tomacorrientes de pared con tres patas para minimizar las posibilidades de golpes de corriente.

No corte ni retire la tercera pata de descarga a tierra del enchufe bajo ninguna circunstancia.

Este equipo debe conectarse a un toma corriente de tres patas con descarga a tierra instalado en una red estándar de electricidad con corriente 115 Volt A.C. / 60Hz.

Este refrigerador no se diseña para ser utilizado con un inversor.

El cable debe mantenerse recogido detrás del Refrigerador; no debe dejarse a la vista ni colgando para prevenir accidentes.

No desenchufar tirando del cable. Tome el enchufe con firmeza y tire en dirección opuesta al receptáculo.

No utilice prolongaciones para conectar este aparato. Si el cable es muy corto, llame a un electricista o técnico calificado para que instale un toma corriente cerca del equipo. El uso de cables de prolongación puede perjudicar el funcionamiento de la unidad.

Si persisten algunos problemas con la aplicación, entre en contacto con por favor nuestro departamento del servicio de cliente para consultar con un representante en **888 775-0202** o visite nuestro Web site para solicitar servicio de la garantía en **www.magicchef-ewave.com**.

OPERAR SU REFRIGERADOR

CONTROL DE TEMPERATURA

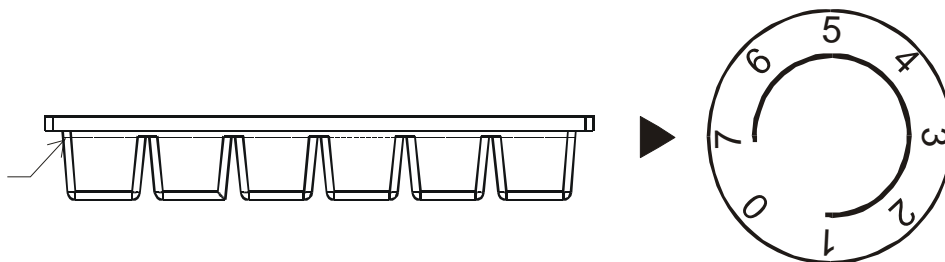
- La unidad tiene un control para regular la temperatura. El control de la temperatura está situado en la esquina superior de la mano derecha del compartimiento interior del refrigerador.
- La primera vez que usted gira la unidad, ajuste la perilla del control de la temperatura a "7" y funcione por por lo menos 2 horas antes de poner los alimentos congelados adentro. De esta forma, el gabinete estará suficientemente refrigerado antes de colocar los alimentos.
- Las temperaturas del control varían desde la posición "1", la más baja, hasta "7", la más fría. Elija la temperatura más conveniente para sus necesidades y fíjela en el control. La posición "4" debería ser la indicada para el uso en el hogar o en la oficina.
- Para apagar el refrigerador, gire la perilla de control de temperatura a "0". Sírvase tener en cuenta que girar la perilla de control de la temperatura a la posición "0" detiene el ciclo de enfriamiento, pero no se desconecta la fuente de alimentación eléctrica al refrigerador

• NOTA

- Si se desenchufa la unidad, pierde energía; usted debe esperar 3 a 5 minutos antes de recomenzar la unidad. Si intenta volver a ponerla en funcionamiento antes de transcurrido ese período, el Refrigerador no funcionará.
- Las grandes cantidades de alimentos disminuyen la capacidad de enfriamiento del aparato.
- No coloque los alimentos en el enchufe de aire, y deje los espacios para la circulación de aire.
- Si decide modificar el valor fijado en el termostato, ajústelo modificando de a un número por vez. Cada vez que realiza un ajuste, deje pasar varias horas para que se estabilice la temperatura.

Preparación de cubitos de hielo

Saque la bandeja de cubitos de hielo y llénela con agua potable hasta un 80% de su capacidad. Coloque la bandeja de cubitos de hielo en el compartimiento del congelador y cierre la puerta.



- Gire la perilla de control de temperatura a "7".
- Espere aproximadamente de dos a cinco horas.
- Tuerza la bandeja de cubitos de hielo y saque los cubitos de hielo.
- Restablezca la perilla de control de temperatura al ajuste normal recomendado. ("4")

Montaje de las piernas

- Su refrigerador tiene dos patas niveladoras que se encuentran en las esquinas inferiores frontales del mismo. Después de colocar correctamente el refrigerador en su posición final, éste se podrá entonces nivelar.
- Las patas de nivelación pueden ajustarse girando a la derecha para elevar el refrigerador o girando a la izquierda para bajarlo. La puerta del refrigerador se cierra con mayor facilidad cuando las patas de nivelación están extendidas

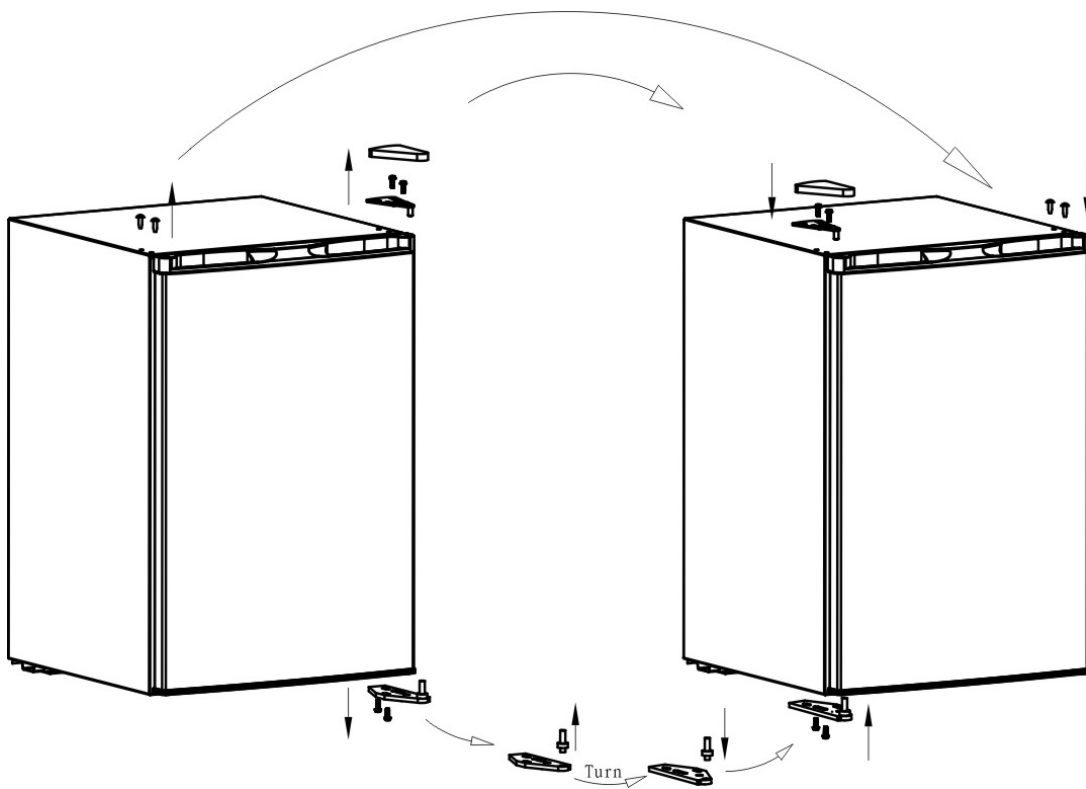
CÓMO DESCONGELAR

Descongele cada vez que la escarcha en la pared del compartimiento del congelador llegue a un espesor de 1/8 " (3 mm). Nunca utilice instrumentos afilados o metálicos para eliminar el hielo, ya que puede dañar los serpentines de enfriamiento. (Un serpentín de enfriamiento perforado causará graves daños al producto y esto anula la garantía). Se recomienda utilizar una espátula de plástico.

Para descongelar, retire los alimentos y la bandeja de cubitos de hielo del compartimiento del congelador. Asegúrese de que la bandeja de goteo esté en su lugar y desenchufe la unidad. El descongelamiento tomará unas cuantas horas. Para descongelar más rápido, mantenga la puerta abierta y coloque un tazón con agua caliente en el refrigerador. Después de descongelar, vacíe el agua de la bandeja de goteo y lave la misma con agua tibia.

Instrucciones para revertir la puerta

- Quite la cubierta de la bisagra superior.
- Utilizando un destornillador Phillips, afloje y quite los tornillos que sujetan la bisagra superior en su lugar.
- Retire la bisagra superior y levante con cuidado la puerta.
- Retire los tapones de los orificios de los tornillos del lado opuesto e inserte los tapones en los orificios de agujeros de los tornillos que acaba de sacar.
- Retire cualquier objeto suelto en el refrigerador, voltee cuidadosamente el refrigerador sobre su espalda y colóquelo en un área segura.
- Afloje los tornillos que sujetan el soporte de la bisagra inferior del refrigerador y quite los tornillos y el soporte.
- Retire los (2) tornillos del otro lado e insértelos en los orificios de los tornillos que quitó antes.
- Retire el pasador de la puerta, girando hacia la izquierda, y vuelva a insertarlo en la parte inferior del soporte y apriételo.
- Alinee el soporte e inserte los (2) tornillos restantes en los orificios provistos.
- Alinee el agujero en la puerta con el pasador y la arandela de la puerta y empuje suavemente hacia abajo hasta que quede firme.
- Alinee el soporte de la bisagra superior con los orificios de los tornillos, inserte los tornillos y apriételos parcialmente, verifique que la puerta y el gabinete estén correctamente alineados y luego apriete bien los tornillos.
- Reemplace la tapa de la bisagra.



CUIDE Y LA CONSERVACION

PARA LIMPIAR SU REFRIGERADOR

- Una vez finalizada la instalación, se recomienda una limpieza completa de la unidad.
- Dé vuelta apagado al refrigerador primero y después desenchufe la unidad del enchufe de pared.
- Quite todo el contenido del alimento.
- Limpie el interior con un paño humedecido en una solución de agua tibia y bicarbonato de soda. La solución se prepara con aproximadamente 2 cucharadas de bicarbonato de soda y un cuarto de agua.
- Recuerde mantener limpia la junta de la puerta (burlete) para que la unidad funcione correctamente.
- La parte exterior del Refrigerador se debe limpiar con una solución de agua tibia y detergente suave.
- Seque el interior y exterior con paño suave.

EN LAS VACACIONES

- Dé vuelta apagado al refrigerador primero y después desenchufe la unidad del enchufe de pared.
- Quite todo el contenido del alimento.
- Limpie el refrigerador.
- Deje la puerta apenas abierta para evitar la posible formación de condensación, moho u olores.
- Extreme los cuidados cuando haya niños. La unidad no debe ubicarse donde los niños puedan jugar con ella.
- **Vacaciones cortas:** Deje el Refrigerador en funcionamiento durante los períodos de vacaciones que no superen las tres semanas.
- **Vacaciones largas:** Si el electrodoméstico no se usa durante varios meses, retire todos los alimentos y desconecte de la red de electricidad. Limpie y seque cuidadosamente el interior. Para evitar la formación de olores y humedad, deje la puerta apenas abierta: si es necesario, trábela para que se mantenga abierta o retire la puerta.

PARA CAMBIAR DE LUGAR SU REFRIGERADOR

- Dé vuelta apagado al refrigerador primero y después desenchufe la unidad del enchufe de pared.
- Quite todo el contenido del alimento.
- Asegure con cinta adhesiva los elementos sueltos en el interior del Refrigerador.
- Asegure la puerta con cinta adhesiva.
- Verifique que el Refrigerador se mantenga en posición vertical durante el traslado.

RECOMENDACIONES PARA AHORRAR ENERGÍA

- El Refrigerador se debe ubicar en el lugar más fresco de la habitación, alejado de las fuentes de calor y de caños de calefacción, y protegido de la luz del sol directa.
- Deje que los alimentos calientes se enfríen hasta llegar a la temperatura ambiente antes de colocarlos en el Refrigerador. Si se coloca una cantidad excesiva de alimentos en el Refrigerador, se fuerza el compresor a trabajar durante más tiempo. Los alimentos que tardan mucho en congelarse pueden perder calidad o echarse a perder.
- Asegúrese de envolver los alimentos adecuadamente y seque los envases antes de ubicarlos en el Refrigerador. Esto ayuda a reducir la formación de escarcha en el interior.
- Organice y etiquete los alimentos para reducir la cantidad de veces que abre la puerta y las demoras de la búsqueda. Retire todos los elementos que necesita de una sola vez y cierre la puerta lo antes posible.

GUÍA DE RESOLUCIÓN DE PROBLEMAS

Usted puede resolver muchos de los inconvenientes comunes que se producen con el Refrigerador y ahorrarse el costo de llamar al servicio de mantenimiento. Intente las sugerencias a continuación para ver si puede resolver los problemas antes de llamar al service.

PROBLEMA	CAUSA POSIBLE
El Refrigerador no funciona.	No está enchufado. Se activó el corta corriente o se quemó un fusible.
El compresor se prende y se apaga con frecuencia.	La temperatura ambiente es más elevada que lo normal. Se ha colocado gran cantidad de alimentos en el Refrigerador. La puerta se abre con mucha frecuencia. La puerta no está completamente cerrada. La temperatura fijada en el control no es la correcta. La junta de la puerta no ajusta lo necesario. El Refrigerador no está lo suficientemente alejado de las paredes que lo rodean. El Refrigerador estuvo últimamente desconectado durante un período de tiempo. Se requieren 4 horas para que el Refrigerador se enfríe completamente.
La temperatura del interior del Refrigerador es muy elevada.	El control de temperatura está fijado a una temperatura muy elevada. Fije el control a una temperatura más baja y deje que la temperatura se estabilice durante varias horas. La puerta estuvo mucho tiempo abierta o se abrió con mucha frecuencia. Cada vez que se abre el Refrigerador entra aire caliente. Abra la puerta con menos frecuencia. La puerta no está completamente cerrada. La junta de la puerta no ajusta lo suficiente. Es posible que recientemente se haya guardado una gran cantidad de alimentos tibios o calientes. Espere hasta que el Refrigerador haya tenido la oportunidad de alcanzar la temperatura fijada. El Refrigerador estuvo últimamente desconectado durante un período de tiempo. Se requieren 4 horas para que el Refrigerador se enfríe completamente.
La temperatura del interior del Refrigerador es muy baja.	El control de temperatura está fijado a una temperatura muy baja. Fije el control a una temperatura más elevada y deje que la temperatura se estabilice durante varias horas.
La temperatura del exterior del Refrigerador es elevada.	Las paredes externas pueden llegar a tener una temperatura 30°F por encima de la temperatura ambiente. Esta situación es normal mientras el compresor trabaja para sacar el calor del interior del gabinete.
Ruidos de explosiones o rajaduras cuando el compresor empieza a funcionar.	Las partes metálicas se expanden y contraen como ocurre en las cañerías de agua caliente. Es

	normal. Los ruidos se normalizarán o desaparecerán a medida que el Refrigerador siga funcionando.
Ruidos burbujeantes parecidos al del agua hirviendo.	El refrigerante (utilizado para enfriar el Refrigerador) está circulando por el sistema. Es normal.
Vibraciones.	Verifique que el Refrigerador esté sobre una superficie nivelada. El piso está desparejo o no es fuerte. El Refrigerador se balancea sobre el piso apenas se lo toca. Verifique que el piso soporta adecuadamente el Refrigerador. Nivele el electrodoméstico poniendo cuñas de metal o madera debajo del Refrigerador El Refrigerador está tocando la pared. Vuelva a nivelar y retirar de la pared. Lea las "Instrucciones de instalación".
Se forma humedad en las paredes interiores del Refrigerador	El tiempo está caluroso y húmedo, lo que ocasiona la mayor acumulación de escarcha en el interior. Es normal. La puerta está apenas abierta. La puerta está mucho tiempo abierta o se abre con mucha frecuencia. Abra la puerta con menos frecuencia. La junta de la puerta no ajusta lo necesario.
Se forma humedad en las paredes externas del Refrigerador	La puerta está apenas abierta y el aire frío del interior se combina con el aire tibio del exterior.
La puerta no cierra convenientemente.	El Refrigerador no está en una superficie nivelada. La junta está sucia.



Garantía De Refrigerador

Salvo cuando se encuentre prohibido MC Appliance Corp. autoriza cada refrigerador nuevo para estar libre de defectos en material y la ejecución y acuerda remediar cualquier defecto o equipar un nuevo part(s) (en la opción de los company?s) para cualquier part(s) de la unidad que ha fallado durante el período de la garantía. Las piezas y los costos del trabajo se cubren en esta unidad por un período de un año después de la fecha de la compra. Además MC Appliance Corp. autoriza el compresor (piezas solamente) para estar libre de defectos en material y la ejecución por un período de 5 años. El consumidor es responsable de todo el trabajo y los costos del transporte relacionados con la diagnosis y el reemplazo del compresor después de las uno garantías inicial del año han expirado. Si en el acontecimiento la unidad requiere el reemplazo o el reembolso bajo términos de esta garantía el consumidor es responsable de todos los costos del transporte volver la unidad a nuestra fábrica antes de recibir una unidad o un reembolso del reemplazo. Una copia de las ventas anticuadas pone el recibo/factura se requiere para recibir servicio de la garantía o un reembolso.

Esta garantía cubre aplicaciones en uso dentro de los Estados Unidos, del Puerto Rico, de la Canadá y de la Hawaii continentales. La garantía no cubre el siguiente:

- Daños debido al daño del envío o a la instalación incorrecta.
- Daños debido al uso erróneo o al abuso.
- Pérdidas contentas debido a la falta de la unidad.
- Componentes interiores tales como paneles de la puerta, estantes de la puerta, estantes, bombillas etc
- Punturas al sistema del evaporador debido a la descongelación incorrecta de la unidad.
- Las reparaciones se realizaron por los agentes desautorizados del servicio.
- Llamadas de servicio que no implican defectos en material y la ejecución tal como instrucción en el uso apropiado del producto, de la revocación de la puerta o de la instalación incorrecta.
- Reemplazo o reajuste de los fusibles o de los interruptores de la casa.
- Falta de este producto si está utilizado para otro que su propósito previsto.
- Costes de la disposición de unidades falladas no vueltas a nuestra fábrica.
- Cualquier costos de la entrega contrajeron como el resultado de una unidad que falla de realizar como especificed.
- Gastos de viajes y el transporte de los productos principales de servicio si su aparato está situado en una zona remota donde el servicio por un técnico de servicio no está disponible.
- La remoción y reinstalación de su gran aparato, si está instalado en un lugar inaccesible o no está instalado de conformidad con las instrucciones de instalación publicadas.
- La responsabilidad bajo esta garantía se limita a reparar, reemplazar o realizar el reembolso. Si no existe disponibilidad de unidades para el reemplazo, o la unidad no puede repararse, la responsabilidad está limitada al reintegro del precio de compra real pagado por el consumidor.
- Esta garantía es intransferible.
- Esta garantía es válida exclusivamente para el comprador original y no se extiende a ningún otro propietario o propietarios subsiguientes.

Esta garantía está en lugar de todas las garantías expresadas o implicó y no se autoriza a ningún representante o persona a asumir para nosotros ninguna otra responsabilidad en la conexión con la venta de este producto. Bajo ningunas circunstancias está el consumidor permitido para volver esta unidad a la fábrica sin consentimiento anteriormente escrito MC Appliance Corp.

Modelo	Piezas	Trabajo	Compresor (Parte Solament)	Tipo de servicio
HMBR265WE	Uno-Año	Uno-Año	Cinco Años	Lleve Adentro
HMBR265BE	Uno-Año	Uno-Año	Cinco Años	Lleve Adentro
HMBR265SE	Uno-Año	Uno-Año	Cinco Años	Lleve Adentro

Para el servicio o la ayuda llame por favor 888 775-0202 o visítenos en la tela en www.mcappliance.com para solicitar servicio de la garantía.