

This Owner's Manual is provided and hosted by [Appliance Factory Parts](#).



MAGIC CHEF MCCHP24 Owner's Manual

[Shop genuine replacement parts for MAGIC CHEF
MCCHP24](#)



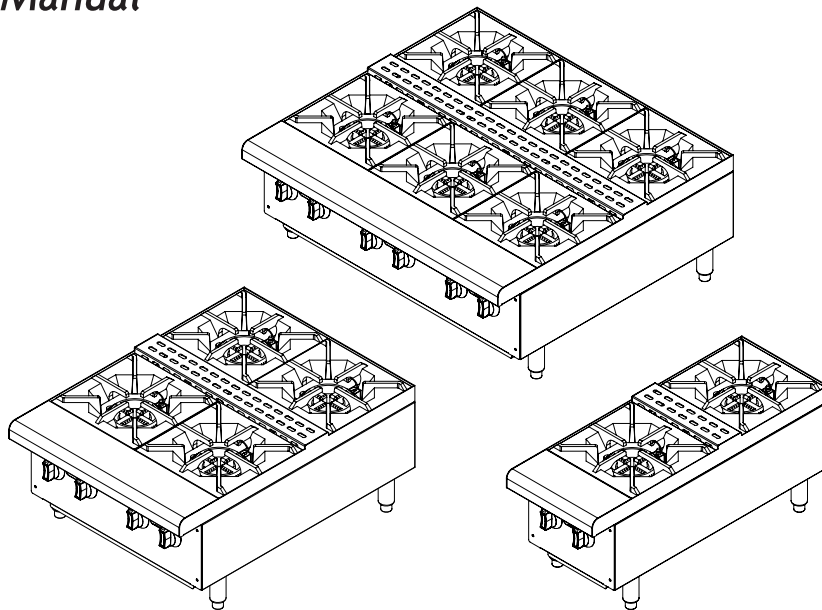
[Find Your MAGIC CHEF Oven Parts - Select From 16 Models](#)

----- Manual continues below -----



Commercial Gas Hot Plate

User's Manual



Model MCCHP12 / MCCHP12-P / MCCHP24 / MCCHP24-P / MCCHP36 / MCCHP36-P

PLEASE READ THIS MANUAL CAREFULLY BEFORE USING YOUR COMMERCIAL GAS HOT PLATE AND KEEP IT FOR FUTURE REFERENCE.



PRODUCT REGISTRATION

Thank you for purchasing a Magic Chef Commercial product. The first step to protect your new product is to complete the product registration on our website: www.mcappliance.com/register. The benefits of registering your product include the following:

1. Registering your product will allow us to contact you regarding a safety notification or product update.
2. Registering your product will allow for more efficient warranty service processing when warranty service is required.
3. Registering your product could act as your proof of purchase in the event of insurance loss.

Once again, thank you for purchasing a Magic Chef Commercial product.

CONTENTS

PRODUCT REGISTRATION	2
PRECAUTIONS	4
IMPORTANT SAFETY INSTRUCTIONS	5
SPECIFICATIONS	7
INSTALLATION INSTRUCTIONS	8
OPERATING INSTRUCTIONS	10
CARE AND MAINTENANCE	11
TROUBLESHOOTING	12
LIMITED WARRANTY	13

PRECAUTIONS

EXPLANATION OF SYMBOLS

▲ WARNING

Hazards or unsafe practices which COULD result in severe personal injury or death.

▲ CAUTION

Hazards or unsafe practices which COULD result in minor personal injury or property damage.

▲ WARNING: Read and understand all safety precautions. Failure to follow all instructions described in this user manual may result in electric shock, fire and/or serious personal injury. The warnings, cautions and instructions discussed in this user manual cannot cover all possible conditions and situations that may occur.

▲ WARNING: If information in this manual is not followed exactly, a fire or explosion may result causing property damage, personal injury or death. DO NOT store or use gasoline or other flammable vapors and liquids in the vicinity of this or any other appliance.

▲ WARNING: Gas Leak

- Gas leaks cannot always be detected by smell.
- Gas suppliers recommend that you use a gas detector approved by UL or CSA.
- For more information, contact your gas supplier.
- If a gas leak is detected, follow the “What to Do If You Smell Gas” section below.

▲ WARNING: What to Do If You Smell Gas

- DO NOT try to turn on any appliance.
- DO NOT touch any electrical switch.
- DO NOT use any phones in the building.
- Immediately call your gas supplier from a phone outside of the building. (Ex: Go to a neighbor's to call your gas supplier or fire department.)
- If the gas supplier cannot be reached, call the fire department.
- Installation and service must be performed by a qualified installer or service agency.

IMPORTANT SAFETY INSTRUCTIONS

▲ WARNING: When using gas appliances, basic safety precautions should be followed, including the following:

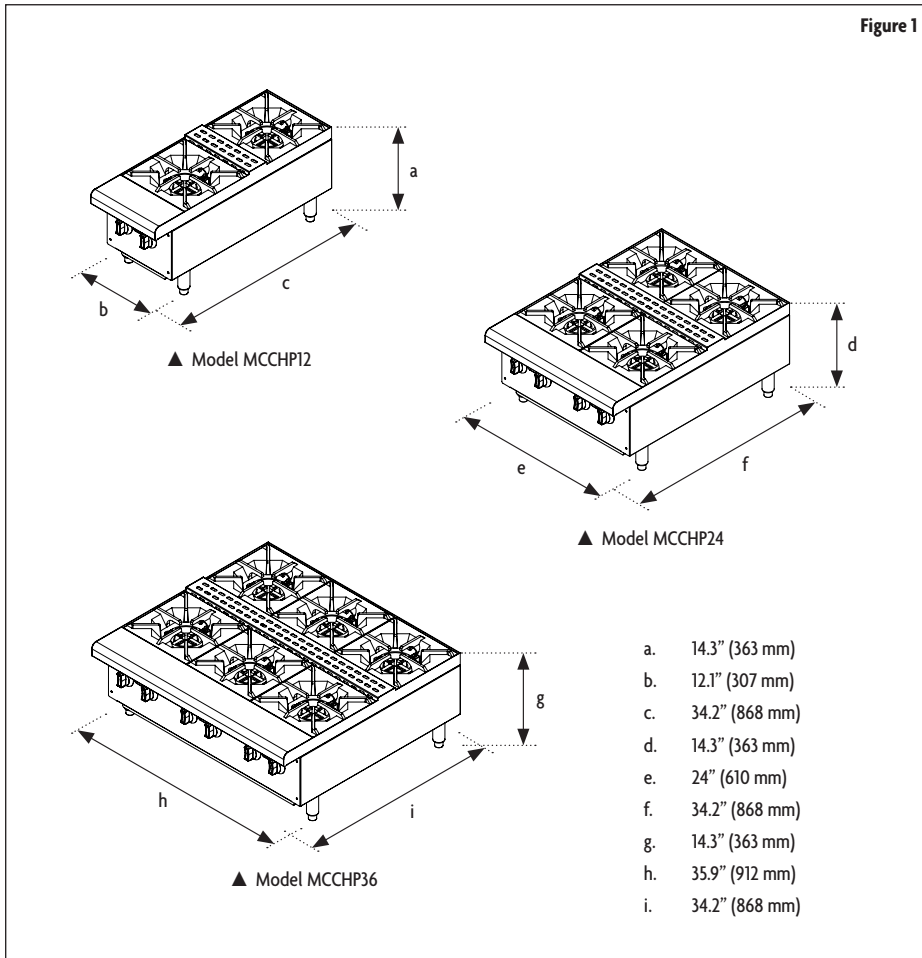
1. Read all instructions before using the appliance.
2. The appliance must be installed in accordance with required codes:
 - In the United States:
State and local codes, or in the absence of local codes:
National Fuel Gas Code, ANSI-Z223.1/NFPA #54 (latest edition).
Copies may be obtained from The American Gas Association Accredited Standards Committee Z223, @ 400 N. Capital St. NW, Washington, DC 20001 or the Secretary Standards Council, NFPA, 1 Batterymarch Park, Quincy, MA 02169-7471.
NFPA Standard #96 Vapor Removal from Cooking Equipment, latest edition, available from the National Fire Protection Association, Batterymarch Park, Quincy, MA.
 - In Canada:
Local codes:
CAN/CSA-B149.1 Natural Gas Installation (latest edition).
CAN/CSA-B149.2 Propane Installation Code (latest edition), available from the Canadian Gas Association 178 Rexdale Blvd., Etobicoke, Ontario Canada M9W 1R3.
3. **▲ WARNING:** If you smell gas, please keep away from fire. DO NOT light up any device or touch an electric switch. DO NOT use any phone in the building. Close the main gas valve immediately and call a professional service technician to check the unit.
4. **▲ CAUTION:** High temperatures may cause scalding. DO NOT touch the appliance surface with hands directly due to high temperature during or after operation.
5. Installation and maintenance should only be performed by certified professionals. Improper installation could result in serious harm or death and may void your warranty.
6. Any self-modification, improper installation, adjustment or maintenance can lead to property loss or casualty. Please contact the manufacturer for any adjustment or maintenance, and have the work done by a trained & qualified person.
7. DO NOT dismantle or modify the device. Any modification may cause casualty and void the warranty.
8. Remove packing materials and check appliance for damage. If you have any questions or if there are any problems, call a maintenance person and DO NOT use the item. Keep packing material away from children.
9. The appliance should only be used with low-pressure gas regulating valves. Use of other regulating valves may lead to loss and casualty.
10. DO NOT place the appliance by any liquid, gas or object that is flammable or explosive.
11. If the appliance is placed near walls, partitions, kitchen furniture, etc., be sure that they are made of non-combustible heat resistant materials, and follow all fire regulations.
12. The appliance should be installed in a well-ventilated area with exhausting facilities to ensure that any gases produced are properly vented.
13. This appliance should not be operated by anyone that is not able to follow proper safety procedures or does not have experience with this type of equipment, unless under close supervision.
14. Keep children away from the device.

15. Operating by the appliance incorrectly or improper maintenance may lead to gas leak or deflagration. The manufacturer is not responsible for fire or accidents resulting from by improper operation or maintenance.
16. DO NOT put any flammable objects or materials on or near the burners.
17. When first using, it may take a little longer to light due to the air existing in the new pipe. If the pilot cannot be lit, turn off the gas supply for 3-5 minutes to prevent deflagration.
18. ALWAYS turn off when not using.
19. This device is for commercial use only, not for use in any other application.
20. This product is a commercial machine that needs to be operated by trained cooks and is not intended for home use.
21. DO NOT put any heavy objects onto the appliance. Abnormal operation may cause damage.
22. DO NOT put any object in the exhaust vent. Doing so may block the gas flue and cause harm.
23. DO NOT use the appliance if nothing is on the burners.
24. DO NOT damage the control panel with hard or sharp objects.
25. DO NOT spray water directly to the appliance. Clean the stainless steel surface regularly to prevent damage caused by rust and chemical reactions.
26. Keep this manual. When passing on/selling the device to a third party, the manual must be handed over along with the device. All users must operate the device complying with the user's manual and related safety guidelines.
27. The manufacturer is not responsible for fire or accidents resulting from by improper operation or maintenance.

**READ AND FOLLOW THIS
SAFETY INFORMATION CAREFULLY
SAVE THESE INSTRUCTIONS**

SPECIFICATIONS

Figure 1



Model	Dimensions (H x W x D) NOTE: Legs add 3.94" (100mm)	Thermal Power (BTU/KW)	Burners	Net Weight
MCCHP12 MCCHP12-P	14.3" x 12.1" x 34.2" (363 x 307 x 868 mm)	50,000/14.6	2	52.9 lbs. (24kg)
MCCHP24 MCCHP24-P	14.3" x 24" x 34.2" (363 x 610 x 868 mm)	100,000/29.3	4	119 lbs. (54 kg)
MCCHP36 MCCHP36-P	14.3" x 35.9" x 34.2" (363 x 912 x 868 mm)	150,000/43.9	6	167.6 lbs. (76 kg)

INSTALLATION INSTRUCTIONS

TRANSPORTATION AND STORAGE

During transportation, the cooking equipment should be carefully handled. DO NOT place it upside down. The equipment should be stored in a well ventilated warehouse away from corrosive gas. If it needs to be stored outside temporarily, make sure it does not come in contact with rain.

INSTALLATION NOTE

Before installing, verify that the type of gas (natural or propane) matches the specifications on the data plate, which is located on the back or side of the appliance. Make sure the device is configured for the proper elevation.

Record your model and serial numbers for future reference in the space provided below. This information can be found on the data plate.

Model No: _____ Serial No: _____

1. Installation should be performed by certified technicians.
2. Connection of the device should conform to provisions of gas safety, installation and usage.
3. Installation from the outlet end of the gas flow meter or service regulator to the gas pipe of the device should be performed by trained professional technicians. They should also test the cooking equipment first and make any adjustments.
4. The device can be used only when four legs are installed correctly.
5. This appliance should be installed on a stable, level and non-combustible surface (e.g. cement, ceramic tile, terrazzo or metal surface). Verify all local regulations. Make sure to leave clearance for proper ventilation.
6. The appliance should have a minimum clearance of 0" (0cm) from non-combustible substance (e.g. walls, windows etc.), and 6" - 8" (15 - 20cm) from combustible materials.
7. The installation should allow for proper air flow for combustion and should not block exhaust and ventilation.
8. Make sure the exhaust does not interfere with the air intake of the device.
9. After installation, level the device and keep stable. DO NOT move or tilt the device during operation.
10. Make sure that the gas supplied to the unit is the same as what the device is designed to use. If not, DO NOT use.
11. According to local requirement standards and strong recommendation of the manufacturer, a gas shut-off valve may be needed between the gas supply pipeline and gas-pressure regulator. Whether the installation of a gas shut-off valve has any local requirements should be judged by the gas installation professional.
12. Coat some dedicated pipe sealant for gas pipeline in all the pipe joints. The sealant should be rated for use with and resistant to the action of gas.
13. The gas pressure should be set according to the type and pressure listed on the rating label. If the gas supply pressure is 10% higher or lower than the rated pressure, please install a pressure regulator to adjust the gas pressure.
14. After connecting the appliance to the gas system, check for leaks at joints and pipe fittings; to do so, use soapy water or a specific leak detector (spray).
15. DO NOT block or interfere with the ventilation needed during normal operation.

16. Verify the gas type and pressure, and make sure that they conform to those marked on the rating label. If incorrect gas type/pressure is connected, it may affect the performance of the device and create safety hazards.

OPERATING INSTRUCTIONS

CLEANING BEFORE USE

New units are wiped down at the factory to remove any visible signs of dirt, oil, grease, etc. remaining from the manufacturing process. Before any food preparation, thoroughly wipe protective oil from all surface parts with hot soapy water to remove any film residue and dust or debris.

▲ **NOTE:** DO NOT use chlorine or sulfate/sulfide cleaners.

▲ **NOTE:** Wash any accessories shipped with unit.

▲ **NOTE:** Rinse accessories thoroughly.

▲ **NOTE:** Wipe unit completely dry with a soft, clean cloth.

LIGHTING THE PILOT

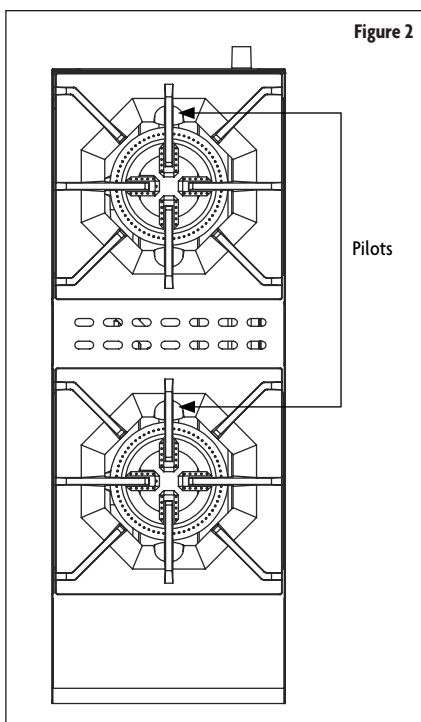
1. Verify that the gas supply to the appliance matches that listed on the label.
2. Make sure the control knobs are in the "OFF" position.
3. Open the main gas supply valve.
4. Using a long match or grill lighter, light the pilots located just to the rear of each burner (see illustration).

▲ **WARNING:** ALWAYS light the pilots immediately after opening main gas supply valve.

5. Turn the burner control knobs counter-clockwise to turn on and control the burners. 90° is fully open.
6. When finished, turn the control knobs clockwise to the "OFF" position.
7. When done using, close the main gas supply valve.

▲ **NOTE:** ALWAYS be sure to turn burners OFF when not in use.

▲ **NOTE:** There may be some smoke at the initial startup as the result of rust prevention coatings burning off. This is normal. Please allow at least a 15 minute burn in period before using for the first time.



CARE AND MAINTENANCE

ROUTINE INSPECTION

Before using, make sure that the device is level and there is no visible damage. Check for any odors or vibrations, and that the burner flames are normal. If any problems are noted, stop using and have service done on the appliance.

CLEANING AND MAINTENANCE

1. ALWAYS turn off the appliance and make sure it is cool before doing any maintenance or cleaning.
2. Clean the front panel and drip tray at least twice a day or as needed.
3. Clean the burners at least once a week or as needed.
4. Clean the stainless steel surfaces with warm soapy water every day, and rinse completely with clean water. (Do not spray water directly at the appliance during cleaning.)
5. DO NOT clean stainless steel surfaces with abrasive cleaners, brushes, scrapers, etc. Doing so may cause rust. ALWAYS wipe in the same direction as the finish.
6. DO NOT use chlorine products (bleach, hydrochloric acid, etc.) on stainless surfaces.
7. DO NOT modify the ventilation for the burners.
8. After cleaning, clear any liquid or debris out of the fire holes of the burner with a thin wire to prevent gas leakage.
9. When not in use, make sure gas supply to the appliance is turned off.
10. If not in use for a long period, thoroughly clean all parts of the hotplate and store in a well ventilated area.
11. The hotplate should have a complete inspection done at least once a year by a service technician.
12. Please be aware that most parts of the appliance can be recycled, and it should be disposed of properly according to all local standards.

TROUBLESHOOTING

Problem	Possible Causes	Solutions
Pilot cannot be lit	Gas pressure is too low.	Regulate the pressure valve.
	Fire hole is blocked.	Unblock the fire hole.
	Gas control valve is defective.	Replace gas control valve.
Pilot is lit, burner won't light	Gas pressure is too low.	Regulate the pressure valve.
	Main nozzle is blocked.	Unblock the nozzle.
	Gas control valve is defective.	Replace gas control valve.
Burner makes popping noise when gas is shut off	Nozzle diameter does not match gas supply.	Regulate nozzle diameter.
	Damper is opened too much.	Reduce damper opening.
	Gas supply pressure is too low.	Regulate the valve.
Has yellow/orange flame and black smoke	Nozzle diameter does not match gas supply.	Regulate the nozzle diameter.
	Damper is not opened enough.	Adjust the damper opening.
	Gas is nearly empty.	Replace gas.
Aforementioned issues are just for reference. If any failure occurs, please stop using and contact a professional technician to check and repair. ALWAYS be safe and shut off the power supply and gas supply before performing any maintenance.		



LIMITED WARRANTY

MC Appliance Corporation warrants each new Commercial Gas Hot Plate to be free from defects in material and workmanship, and agrees to remedy any such defect or to furnish a new part(s), at the company's option, for any part(s) of the unit that has failed during the warranty period. Parts and labor expenses are covered on this unit for a period of one year from the date of purchase. A copy of the dated sales receipt or invoice is required to receive warranty service, replacement or refund.

In the event the unit requires replacement or refund under the terms of this warranty, the consumer is responsible for all transportation expenses to return the unit to our factory prior to receiving a replacement unit or refund. A copy of the dated sales receipt/invoice is required to receive warranty service, replacement or refund. A refund or replacement will be issued at the discretion of MC Appliance Corporation.

This warranty covers appliances in use within the contiguous United States, Alaska, Hawaii and Puerto Rico. This warranty does not cover the following:

- Damages due to shipping damage or improper installation.
- Damages due to misuse or abuse.
- Content losses due to failure of the unit.
- Inside components such as turntable, roller guide, light bulbs, etc.
- Repairs performed by unauthorized service agents.
- Service calls that do not involve defects in material and workmanship such as instructions on proper use of the product or improper installation.
- Replacement or resetting of house fuses or circuit breakers.
- Failure of this product if used for other purposes than its intended purpose.
- Disposal costs for any failed unit not returned to our factory.
- Any delivery/installation costs incurred as the result of a unit that fails to perform as specified.
- Expenses for travel and transportation for product service if your appliance is located in a remote area where service by an authorized service technician is not available.
- The removal and reinstallation of your appliance if it is installed in an inaccessible location or is not installed in accordance with published installation instructions.
- Refunds for non repairable products are limited to the price paid for the unit per the sales receipt.
- This warranty is non transferable. This warranty applies only to the original purchaser and does not extend to any subsequent owner(s).

LIMITATIONS OF REMEDIES AND EXCLUSIONS:

Product repair in accordance with the terms herein, is your sole and exclusive remedy under this limited warranty. Any and all implied warranties including merchantability and fitness for a particular purpose are hereby limited to one year or the shortest period allowed by law. MC Appliance Corporation is not liable for incidental or consequential damages and no representative or person is authorized to assume for us any other liability in connection with the sale of this product. Under no circumstances is the consumer permitted to return this unit to the factory without the prior written consent of MC Appliance Corporation.

Some states prohibit the exclusion or limitation of incidental or consequential damages, or limitations on implied warranties. This warranty gives you specific legal rights, and you may also have other rights which vary from state to state.

Model	Parts & Labor	Type of Service
MCCHP12 / MCCHP12-P	One Year	In Field Service
MCCHP24 / MCCHP24-P	One Year	In Field Service
MCCHP36 / MCCHP36-P	One Year	In Field Service

For Service or Assistance please call 888-775-0202 or visit us on the web at www.mcappliance.com to request warranty service or order parts.



**CNA International, Inc. d/b/a MC Appliance Corporation. All rights reserved.
Magic Chef® logo is a registered trademark of CNA International, Inc.**

www.mcappliance.com

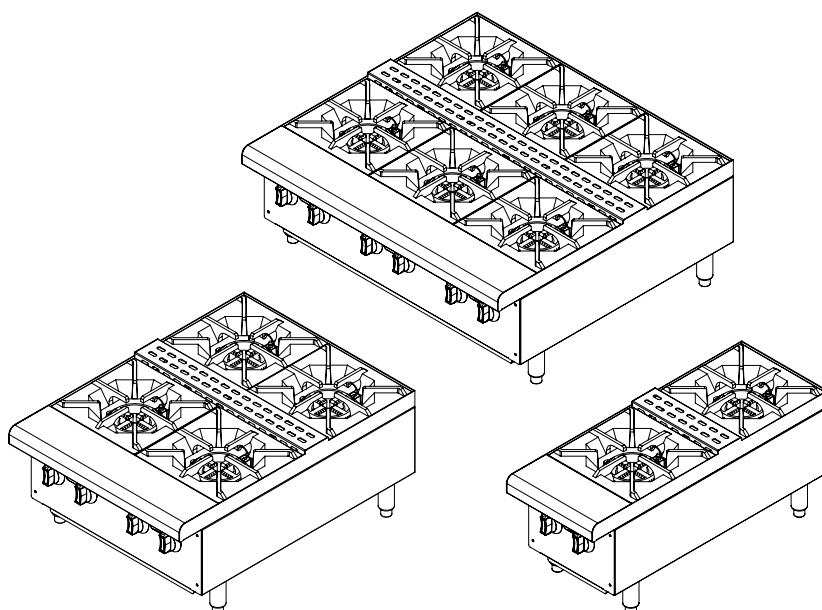
Printed in China



Magic Chef[®]
C O M M E R C I A L

Hornilla a gas comercial

Manual del usuario



Modelos MCCHP12 / MCCHP12-P / MCCHP24 / MCCHP24-P / MCCHP36 / MCCHP36-P

**POR FAVOR LEA CUIDADOSAMENTE ESTE MANUAL ANTES DE USAR
SU HORNILLA A GAS Y CONSÉRVELO PARA FUTURAS REFERENCIAS.**



REGISTRO DEL PRODUCTO

Gracias por comprar un producto Magic Chef Commercial. El primer paso para proteger su nuevo producto es completar el registro del producto en nuestro sitio web: www.mcappliance.com/register. Los beneficios de registrar su producto incluyen los siguientes:

1. Registrar su producto nos permitirá contactarlo en relación a un aviso de seguridad o actualización del producto.
2. Registrar su producto nos permitirá un proceso de servicio de garantía más eficiente, cuando sea requerido un servicio de garantía.
3. Registrar su producto puede funcionar como su prueba de compra en el caso de que usted sufra una pérdida que esté cubierta por un seguro.

Una vez más, gracias por comprar un producto Magic Chef.

ÍNDICE

REGISTRO DEL PRODUCTO	16
PRECAUCIONES	18
INSTRUCCIONES DE SEGURIDAD IMPORTANTES	19
ESPECIFICACIONES	21
INSTRUCCIONES DE INSTALACIÓN	22
INSTRUCCIONES DE FUNCIONAMIENTO	24
CUIDADO Y MANTENIMIENTO	25
SOLUCIÓN DE PROBLEMAS	26
GARANTÍA LIMITADA	27

PRECAUCIONES

EXPLICACIÓN DE LOS SÍMBOLOS

▲ ADVERTENCIA

Peligros o prácticas inseguras que PODRÍAN provocar lesiones personales graves o la muerte.

▲ PRECAUCIÓN

Peligros o prácticas inseguras que PODRÍAN provocar lesiones personales leves o daños materiales.

▲ ADVERTENCIA: Lea y comprenda todas las precauciones de seguridad. La inobservancia de todas las instrucciones descritas en este manual del usuario podría derivar en descarga eléctrica, incendio y/o lesiones personales graves. Las advertencias, precauciones e instrucciones planteadas en este manual del usuario no cubren todas las eventuales condiciones y situaciones que podrían suscitarse.

▲ ADVERTENCIA: Si la información en este manual no se sigue exactamente, puede producirse un incendio o una explosión ocasionando daños materiales, lesiones personales o la muerte. NO guarde, ni utilice gasolina, u otro vapor o líquido inflamable en las cercanías de éste o de cualquier otro aparato.

▲ ADVERTENCIA: Fuga de Gas

- Las fugas de gas no siempre pueden ser detectadas por el olor.
- Los proveedores de gas recomiendan que usted utilice un detector de gas aprobado por UL o CSA.
- Para mayor información, comuníquese con su proveedor de gas.
- Si se detecta una fuga de gas, siga la sección "Qué hacer si huele a gas" a continuación.

▲ ADVERTENCIA: Qué hacer si huele a gas

- NO trate de encender ningún aparato.
- NO toque ningún interruptor eléctrico.
- NO utilice ningún teléfono en el edificio.
- Inmediatamente llame a su proveedor de gas desde un teléfono afuera de la casa. (Ej.: Vaya a la casa del vecino para llamar a su proveedor de gas o al departamento de bomberos).
- Si el proveedor de gas no puede ser contactado, llame al departamento de bomberos.
- La instalación y el servicio deben ser ejecutados por un instalador calificado o una agencia de servicio.

INSTRUCCIONES DE SEGURIDAD IMPORTANTES

▲ ADVERTENCIA: Cuando utilice aparatos de gas, debe seguir las precauciones básicas de seguridad, incluidas las siguientes:

1. Lea todas las instrucciones antes de utilizar el aparato.
2. El aparato debe ser instalado de acuerdo con los códigos requeridos:
 - En los Estados Unidos:

Códigos estatales y locales, o en ausencia de los códigos locales:
Código Nacional de Gas Combustible, ANSI-Z223.1/NFPA n.º 54 (última edición).
Pueden obtenerse copias suministradas por el Comité de Estándares Acreditados de la Asociación Americana de Gas Z223, @ 400 N. Capital St. NW, Washington, DC 20001 o del Consejo de Estándares de la Secretaría, Asociación Nacional de la Protección contra el Fuego (National Fire Protection Association, NFPA), 1 Batterymarch Park, Quincy, MA 02169-7471.
Estándar N.º 96 de la NFPA Extracción de vapor del equipo de cocina, última edición disponible en la Asociación Nacional de Protección Contra el Fuego, Batterymarch Park, Quincy, MA.
 - En Canadá:

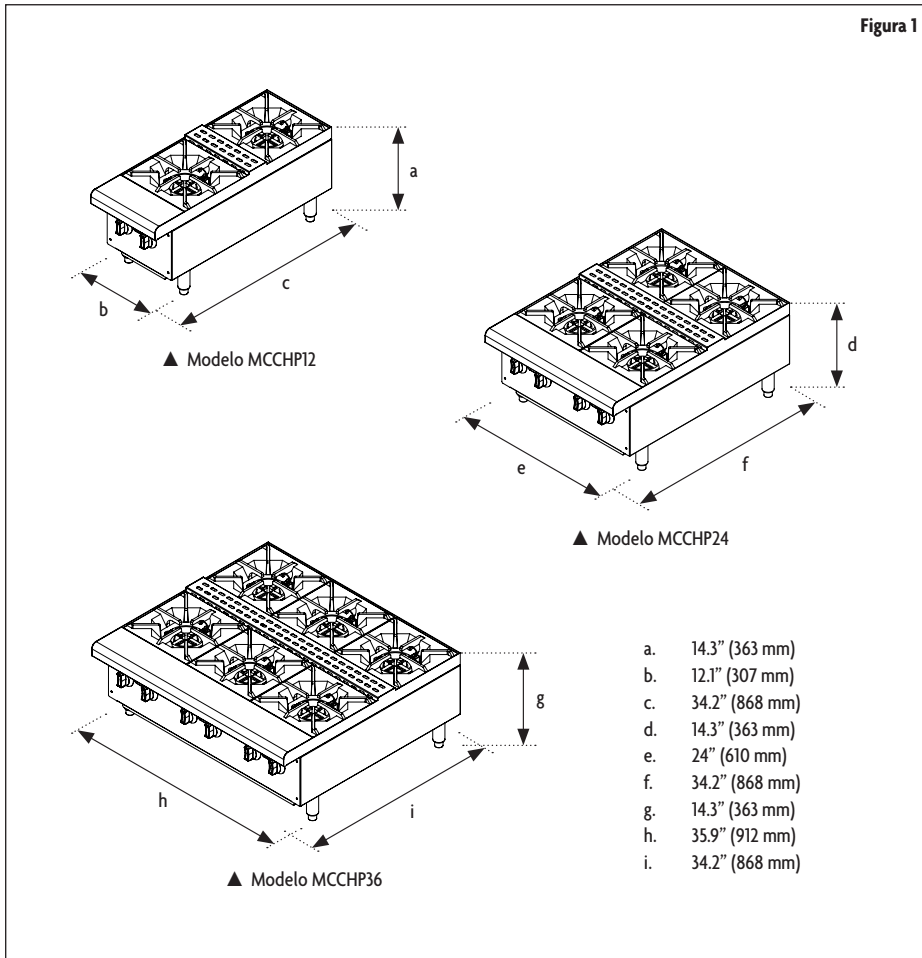
Códigos locales:
CAN/CSA-B149.1 Instalación de Gas Natural (última edición).
CAN/CSA B149.2 Código de Instalación de Gas Propano (edición más reciente), disponible en la Asociación de Gas Canadiense 178 Rexdale Blvd., Etobicoke, Ontario Canada M9W 1R3.
3. **▲ ADVERTENCIA:** Si huele a gas, manténgase alejado del fuego. NO encienda ningún dispositivo ni toque un interruptor eléctrico. NO utilice ningún teléfono en el edificio. Cierre inmediatamente la válvula de gas principal y llame a un técnico de servicio profesional para que revise la unidad.
4. **▲ PRECAUCIÓN:** Las altas temperaturas pueden causar quemaduras. NO toque la superficie del aparato directamente con las manos debido a las altas temperaturas durante o después de la operación.
5. La instalación y el mantenimiento solo deben realizarse por profesionales certificados. La instalación incorrecta podría causar lesiones graves o la muerte, y puede anular la garantía.
6. Cualquier modificación que realice por su cuenta, instalación incorrecta, ajuste o mantenimiento puede provocar pérdidas de bienes o accidentes graves. Comuníquese con el fabricante si necesita hacer cualquier ajuste o mantenimiento y deje que el trabajo lo realice una persona capacitada y calificada.
7. NO desmonte ni modifique el dispositivo. Cualquier modificación puede ocasionar accidentes graves y anular la garantía.
8. Retire los materiales de embalaje y verifique que la hornilla no esté dañada. Si tiene alguna pregunta o si hay algún problema, llame al servicio de mantenimiento y NO use el artículo. Mantenga el material de embalaje lejos del alcance de los niños.
9. El aparato solo debe utilizarse con válvulas reguladoras de gas de baja presión. El uso de otras válvulas reguladoras puede provocar pérdidas y accidentes.
10. NO coloque el aparato cerca de líquidos, gases u objetos inflamables o explosivos.
11. Si coloca el aparato cerca de paredes, tabiques, muebles de cocina, etc., asegúrese de que estén hechos de materiales incombustibles resistentes al calor y siga todas las normas de seguridad contra incendios.
12. El aparato debe instalarse en un área bien ventilada con instalaciones de evacuación para asegurar que todos los gases producidos se ventilen correctamente.

13. Este aparato no debe ser operado por nadie que no pueda seguir los procedimientos de seguridad adecuados o que no tenga experiencia con este tipo de equipos, a menos que sea bajo una atenta supervisión.
14. Mantenga el dispositivo lejos del alcance de los niños.
15. El uso incorrecto o el mantenimiento inadecuado del aparato pueden provocar fugas de gas o deflagraciones. El fabricante no se hace responsable de incendios o accidentes resultantes de un funcionamiento o mantenimiento inadecuado.
16. NO coloque objetos o materiales inflamables sobre los quemadores, o cerca de ellos.
17. Cuando lo utilice por primera vez, puede tardar un poco más en encender debido al aire existente en la nueva tubería. Si no logra encender el piloto, cierre el paso del gas entre tres y cinco minutos para evitar una deflagración.
18. SIEMPRE se debe apagar cuando no esté en uso.
19. Este dispositivo es solamente para uso profesional, y no para otros fines.
20. Este producto es una máquina profesional que debe ser operada por cocineros capacitados y no está diseñada para uso doméstico.
21. NO coloque objetos pesados sobre el aparato. El funcionamiento anormal puede causar daños.
22. NO coloque ningún objeto en el respiradero. Hacerlo puede bloquear el conducto de gas y causar lesiones.
23. NO utilice el aparato si no hay nada puesto sobre los quemadores.
24. NO dañe el panel de control con objetos duros o afilados.
25. NO rocíe agua directamente sobre el aparato. Limpie la superficie de acero inoxidable regularmente para evitar daños causados por el óxido y las reacciones químicas.
26. Guarde este manual. Al transferir/vender el dispositivo a un tercero, el manual debe ser entregado junto con el dispositivo. Todos los usuarios deben operar el dispositivo de acuerdo con el manual del usuario y las guías de seguridad relacionadas.
27. El fabricante no se hace responsable de incendios o accidentes resultantes de un funcionamiento o mantenimiento inadecuado.

**LEA Y SIGA CUIDADOSAMENTE
ESTA INFORMACIÓN DE SEGURIDAD
GUARDE ESTAS INSTRUCCIONES**

ESPECIFICACIONES

Figura 1



Modelo	Dimensiones (al. x lar. x an.) NOTA: Patas adicionales de 3.94" (100mm)	Alimentación térmica (BTU/KW)	Quemadores	Peso neto
MCCHP12 MCCHP12-P	14.3" x 12.1" x 34.2" (363 x 307 x 868 mm)	50,000/14.6	2	52.9 libras. (24 kg)
MCCHP24 MCCHP24-P	14.3" x 24" x 34.2" (363 x 610 x 868 mm)	100,000/29.3	4	119 lbs. (54 kg)
MCCHP36 MCCHP36-P	14.3" x 35.9" x 34.2" (363 x 912 x 868 mm)	150,000/43.9	6	167.6 lbs. (76 kg)

INSTRUCCIONES DE INSTALACIÓN

TRANSPORTE Y ALMACENAMIENTO

Durante el transporte, el equipo de cocina debe ser manejado cuidadosamente. NO lo coloque boca abajo. El equipo debe almacenarse en un depósito bien ventilado alejado del gas corrosivo. Si tiene que dejar el equipo en el exterior temporalmente, asegúrese de que no entre en contacto con la lluvia.

NOTA DE INSTALACIÓN

Antes de la instalación, verifique que el tipo de gas (natural o propano) coincida con las especificaciones de la placa de datos que se encuentra en la parte posterior o lateral del aparato. Asegúrese de que el dispositivo está configurado para la elevación correcta.

Registre el modelo y los números de serie para futuras referencias en el espacio provisto a continuación. Esta información se encuentra en la placa de datos.

N.º de modelo: _____ N.º de serie: _____

1. La instalación debe realizarse por técnicos certificados.
2. La conexión del dispositivo debe ajustarse a las disposiciones de seguridad, instalación y uso del gas.
3. La instalación desde el extremo de salida del medidor de flujo de gas o del regulador de servicio al tubo de gas del dispositivo debe ser realizada por técnicos profesionales capacitados. También deben probar primero el equipo de cocina y hacer cualquier ajuste necesario.
4. El dispositivo puede utilizarse solo cuando se hayan instalado correctamente las cuatro patas.
5. Este aparato debe instalarse sobre una superficie estable, nivelada e incombustible (por ejemplo, cemento, baldosas cerámicas, terrazo o superficie metálica). Verifique todas las reglamentaciones locales. Asegúrese de dejar un espacio libre para una ventilación adecuada.
6. El aparato debe tener un espacio mínimo de 0 "(0 cm) de sustancias no combustibles (por ejemplo, paredes, ventanas, etc.) y de 6" - 8 "(15-20 cm) de materiales combustibles.
7. La instalación debe permitir un flujo de aire adecuado para la combustión, y no debe bloquear el escape y la ventilación.
8. Asegúrese de que el escape no interfiera con la entrada de aire del dispositivo.
9. Después de la instalación, nivele el dispositivo y manténgalo estable. NO mueva ni incline el dispositivo durante la operación.
10. Asegúrese de que el gas que se suministra a la unidad sea el indicado para su funcionamiento. De lo contrario, NO lo utilice.
11. De acuerdo con las normas de requisitos locales y la estricta recomendación del fabricante, puede ser necesaria una válvula de cierre de gas entre la tubería de suministro de gas y el regulador de presión de gas. Si la instalación de una válvula de cierre de gas tiene algún requisito local, el profesional de instalación de gas deberá evaluarlo.
12. Cubra con un poco de sellador de tubería destinada para gasoductos en todas las uniones de la tubería. El sellador debe estar clasificado para su uso y ser resistente a la acción del gas.
13. La presión del gas debe ajustarse según la presión y el tipo indicados en la etiqueta de clasificación. Si la presión de suministro de gas es un 10% mayor o menor que la presión nominal, instale un regulador de presión para ajustar la presión del gas.

14. Después de conectar el aparato al sistema de gas, verifique que no haya fugas en las uniones de la tubería; para ello, utilice agua jabonosa o un detector de fugas específico (aerosol).
15. NO bloquee ni interfiera la ventilación necesaria durante el funcionamiento normal del aparato.
16. Compruebe el tipo de gas y la presión para asegurarse de que se ajustan a los marcados en la etiqueta de clasificación. Si se conecta un tipo de gas incorrecto a una presión inadecuada, el funcionamiento del dispositivo puede verse afectado y se crearían peligros de seguridad.

INSTRUCCIONES DE FUNCIONAMIENTO

LIMPIEZA ANTERIOR AL USO

Las unidades nuevas se limpian en la fábrica para eliminar los signos visibles de suciedad, aceite, grasa, etc. que quedan del proceso de fabricación. Antes de preparar cualquier comida, limpie cuidadosamente el aceite protector de todas las partes de la superficie con agua caliente jabonosa para eliminar cualquier resto de película y polvo o restos.

▲ **NOTA:** NO use limpiadores de cloro o sulfato/sulfuro.

▲ **NOTA:** Lave los accesorios que acompañen a la unidad.

▲ **NOTA:** Enjuague completamente los accesorios.

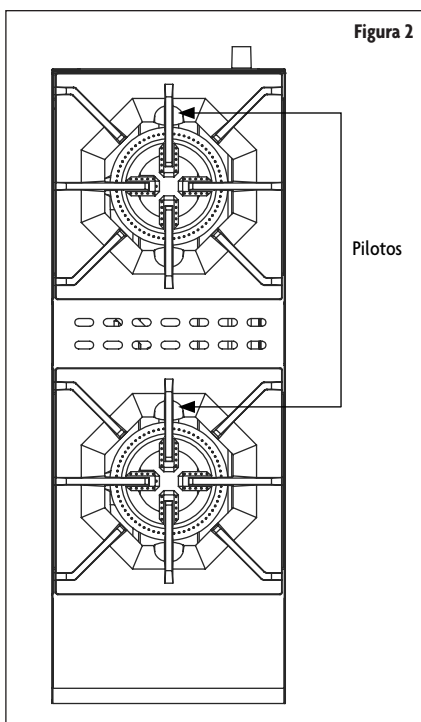
▲ **NOTA:** Limpie la unidad con un paño suave y limpio hasta que quede completamente seca.

ENCENDIDO DEL PILOTO

1. Verifique que el suministro de gas del aparato coincida con el indicado en la etiqueta.
2. Asegúrese de que las perillas de control estén en la posición "APAGADO" (OFF).
3. Abra la válvula de suministro de gas principal.
4. Encienda los pilotos situados justo detrás de cada quemador con un fósforo largo o un encendedor de cocina (vea la ilustración).
▲ ADVERTENCIA: SIEMPRE encienda los pilotos inmediatamente después de abrir la válvula de suministro de gas principal.
5. Gire las perillas de control del quemador en sentido contrario a las agujas del reloj para encender y graduar los quemadores. A 90° el quemador está encendido al máximo.
6. Gire las perillas de control en el sentido de las agujas del reloj hasta la posición "APAGADO" ("OFF") cuando haya terminado.
7. Cierre la válvula de paso de gas principal cuando termine de usar el aparato.

▲ **NOTA:** SIEMPRE asegúrese de APAGAR los quemadores cuando no estén en uso.

▲ **NOTA:** Puede haber un poco de humo en el arranque inicial como resultado de la quemadura de recubrimientos de prevención de óxido. Esto es normal. Deje que se quemé por lo menos 15 minutos antes de usar el aparato por primera vez.



CUIDADO Y MANTENIMIENTO

INSPECCIÓN DE RUTINA

Antes de usar el dispositivo, asegúrese de que esté nivelado y no haya daños visibles. Compruebe si hay olores o vibraciones, y si las llamas del quemador son normales. Si observa algún problema, deje de usar el aparato y llame al servicio técnico para que lo revise.

LIMPIEZA Y MANTENIMIENTO

1. Apague SIEMPRE el aparato y asegúrese de que se haya enfriado antes de realizar cualquier mantenimiento o limpieza.
2. Limpie el panel frontal y la bandeja de goteo al menos dos veces al día, o según sea necesario.
3. Limpie los quemadores al menos una vez a la semana o según sea necesario.
4. Limpie las superficies de acero inoxidable con agua tibia jabonosa todos los días y enjuague completamente con agua limpia. (NO rocíe agua directamente en el aparato durante la limpieza).
5. NO limpie las superficies de acero inoxidable con limpiadores abrasivos, cepillos, raspadores, etc. Hacerlo puede causar oxidación. SIEMPRE limpie en la misma dirección que el acabado.
6. NO use productos con cloro (blanqueador, ácido clorhídrico, etc.) sobre las superficies inoxidable.
7. NO modifique la ventilación de los quemadores.
8. Después de la limpieza, limpie cualquier líquido o resto de los orificios de fuego del quemador con un cable fino para evitar fugas de gas.
9. Cuando no esté en uso, asegúrese de que el suministro de gas del aparato esté apagado.
10. Limpie completamente todas las piezas de la hornilla y guárdelas en un área bien ventilada si no se usa durante un período prolongado.
11. Un técnico de servicio debería hacer una inspección completa de la hornilla al menos una vez al año.
12. Tenga en cuenta que la mayoría de las piezas del aparato pueden ser recicladas y deben desecharse adecuadamente conforme a las normas locales.

SOLUCIÓN DE PROBLEMAS

Problema	Causas posibles	Soluciones
No se puede encender el piloto.	La presión de gas es muy baja.	Regule las válvulas de presión.
	El orificio de fuego está obstruido.	Libere el orificio de fuego.
	La válvula de control de gas tiene una falla.	Reemplace la válvula de control de gas.
El piloto está encendido, pero el quemador no enciende.	La presión de gas es muy baja.	Regule las válvulas de presión.
	La boquilla principal está bloqueada.	Libere la boquilla.
	La válvula de control de gas tiene una falla.	Reemplace la válvula de control de gas.
El quemador emite chasquidos cuando se apaga el gas.	El diámetro de la boquilla no coincide con el suministro de gas.	Regule el diámetro de la boquilla.
	El regulador se abre demasiado.	Reduzca la abertura del regulador.
	La presión del suministro de gas es demasiado baja.	Regule la válvula.
Hay llamas amarillas/anaranjadas y humo negro.	El diámetro de la boquilla no coincide con el suministro de gas.	Regule el diámetro de la boquilla.
	El regulador no se abre lo suficiente.	Ajuste la abertura del regulador.
	El tanque de gas está casi vacío.	Reemplace el tanque de gas.
Los problemas mencionados anteriormente son solo de referencia. Si ocurre algún fallo, deje de usar el aparato, y comuníquese con un técnico profesional para que lo revise y repare. SIEMPRE tenga cuidado, y cierre la fuente de alimentación y el suministro de gas antes de realizar cualquier mantenimiento.		



GARANTÍA LIMITADA

MC Appliance Corporation garantiza que cada hornilla a gas nueva carece de defectos en los materiales y en la mano de obra, y conviene en remediar cualquier defecto o proporcionar la(s) pieza(s) nueva(s), por cualquier/cualesquiera pieza(s) de la unidad que haya(n) fallado durante el período de garantía, a discreción de la compañía. Las piezas y los gastos de mano de obra están cubiertos en esta unidad por un período de un año a partir de la fecha de compra. Es necesario presentar una copia del recibo o de la factura de venta fechado para recibir el servicio de garantía, el reemplazo o el reembolso.

El consumidor asume todos los gastos de traslado para devolver la unidad a nuestra fábrica antes de obtener un reemplazo o un reembolso, en caso de que deba sustituirse la unidad o efectuarse un reembolso de conformidad con los términos de esta garantía. Es necesario presentar una copia del recibo o de la factura de venta fechado, para recibir servicio de garantía, reemplazo o reembolso. El reembolso o el reemplazo se efectuará a discreción de MC Appliance Corporation.

Esta garantía cubre los aparatos en uso dentro de los Estados Unidos contiguos, Alaska, Hawái y Puerto Rico. Esta garantía no cubre lo siguiente:

- Daños debido a daños sufridos durante el envío o por instalación incorrecta.
- Daños debidos a uso incorrecto o abuso.
- Pérdidas de contenido debido a fallas de la unidad.
- Componentes internos como platos giratorios, cilindros guías, bombillos, etc.
- Reparaciones llevadas a cabo por agentes de servicio no autorizados.
- Llamadas de servicio que no implican defectos en material y mano de obra tales como instrucciones sobre el uso correcto del producto o instalación incorrecta.
- Reemplazo o reajuste de los fusibles de la casa o los interruptores.
- Falla de este producto si se usa para fines distintos para los que fue diseñado.
- Costos de eliminación de cualquier unidad defectuosa no devuelta a nuestra fábrica.
- Ninguno de los costos de entrega / instalación incurridos como resultado de una unidad que no funcione según las especificaciones.
- Gastos de viaje y transporte para obtener servicio para el producto si su aparato está ubicado en una zona remota donde el servicio por parte de un técnico de servicio autorizado no está disponible.
- El retiro y la nueva instalación de su aparato si está instalado en una ubicación inaccesible o no fue instalado de acuerdo con las instrucciones de instalación publicadas.
- Reembolsos para los productos que no son reparables están limitados al precio pagado por la unidad conforme a la factura de venta.
- Esta garantía es intransferible. Esta garantía aplica sólo al comprador original y no se extiende a cualquier propietario o propietarios subsecuentes.

LIMITACIONES A LOS REMEDIOS Y EXCLUSIONES:

La reparación del producto de acuerdo con los términos aquí indicados, es su único y exclusivo remedio bajo esta garantía limitada. Cualquiera y todas las garantías implícitas incluyendo la comerciabilidad y la adecuación a un propósito particular están limitadas por medio de la presente a un año o al período más corto permitido por la ley. MC Appliance Corporation no se responsabiliza por daños incidentales o emergentes y ningún representante ni persona está autorizada a asumir de nuestra parte ninguna otra responsabilidad en relación con la venta de este producto. Bajo ninguna circunstancia se le permite al consumidor devolver esta unidad a la fábrica sin la autorización previa por escrito de MC Appliance Corporation.

Algunos estados prohíben la exclusión o limitación de los daños incidentales o consecuenciales, o limitaciones en las garantías implícitas. Esta garantía le otorga derechos legales específicos, y usted podría tener otros derechos que varían según el estado.

Modelo	Partes y mano de obra	Tipo de servicio
MCCHP12 / MCCHP12-P	Un año	Servicio localizado
MCCHP24 / MCCHP24-P	Un año	Servicio localizado
MCCHP36 / MCCHP36-P	Un año	Servicio localizado

Para Servicio o Asistencia por favor llame al 888-775-0202 o visítenos en el sitio web en www.mcpliance.com para solicitar servicio de garantía u ordenar partes.



**CNA International, Inc., opera bajo el nombre comercial de MC Appliance Corporation.
Todos los derechos reservados.**

El logo de Magic Chef® es una marca registrada de CNA International, Inc.

www.mcappliance.com

Impreso en China

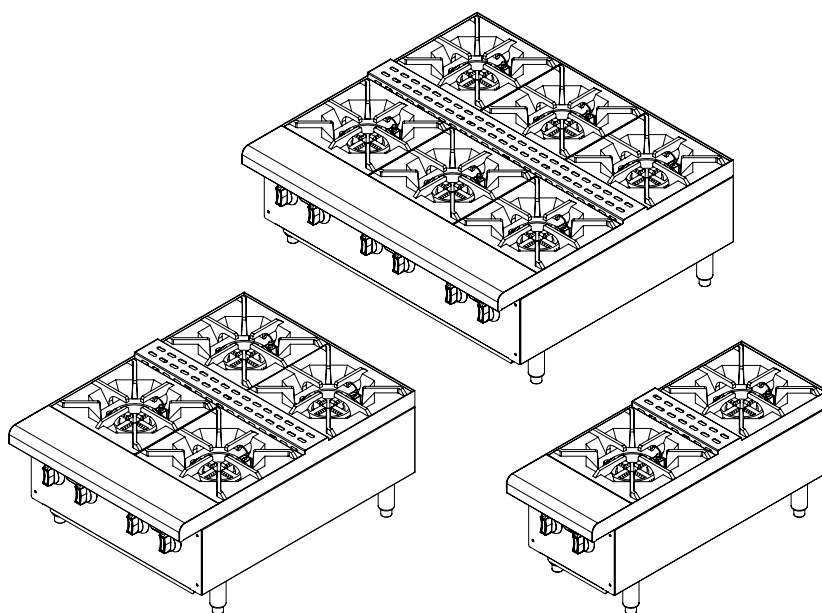


Magic Chef®

C O M M E R C I A L

Plaque chauffante commerciale au gaz

Manuel d'utilisation



Modèle MCCHP12 / MCCHP12-P / MCCHP24 / MCCHP24-P / MCCHP36 / MCCHP36-P

**VEILLEZ LIRE ATTENTIVEMENT CE MANUEL AVANT D'UTILISER VOTRE
PLAQUE CHAUFFANTE AU GAZ ET CONSERVEZ-LE POUR RÉFÉRENCE FUTURE.**



ENREGISTREMENT DU PRODUIT

Merci d'avoir acheté un produit commercial Magic Chef®. La première étape pour protéger votre produit est de remplir l'enregistrement de votre produit sur notre site web à www.mcappliance.com/register. Les avantages d'enregistrer votre produit sont les suivants:

1. Enregistrer votre produit vous permet de nous contacter par rapport aux avertissements de sécurité et aux mises à jour sur le produit.
 2. Enregistrer votre produit permettra un traitement plus efficace de l'entretien sous garantie lorsqu'un entretien est nécessaire.
 3. Enregistrer votre produit pourrait être utilisé comme preuve d'achat dans le cas d'une réclamation d'assurance.
- Merci encore d'avoir acheté un produit commercial Magic Chef®.

CONTENU

ENREGISTREMENT DU PRODUIT	30
PRÉCAUTIONS	32
INSTRUCTIONS IMPORTANTES DE SÉCURITÉ	33
SPÉCIFICATIONS.....	35
INSTRUCTIONS D'INSTALLATION	36
INSTRUCTIONS D'UTILISATION	38
SOIN ET ENTRETIEN	39
DÉPANNAGE	40
GARANTIE LIMITÉE.....	41

PRÉCAUTIONS

EXPLICATIONS DES SYMBOLES

▲ AVERTISSEMENT

Des conduites dangereuses qui POURRAIENT occasionner des blessures corporelles ou la mort.

▲ ATTENTION

Des conduites dangereuses qui POURRAIENT occasionner des blessures corporelles mineures ou des dommages matériels.

▲ AVERTISSEMENT: Lisez et comprenez toutes les précautions de sécurité. Ne pas suivre les instructions décrites dans ce manuel de l'utilisateur peut occasionner des décharges électriques, feux et/ou des dommages corporels. Les avertissements, attentions et instructions dans ce manuel d'utilisation ne peuvent pas couvrir toutes les situations et conditions possibles.

▲ AVERTISSEMENT: Si l'information de ce manuel n'est pas respectée, un feu ou une explosion pourrait occasionner des dommages matériels, corporels ou même la mort. NE PAS entreposer ou utiliser de l'essence ou d'autres vapeurs inflammables près de cet ou d'un autre appareil.

▲ AVERTISSEMENT: Fuite de gaz

- Les fuites de gaz ne peuvent pas toujours être détectées à l'odeur.
- Les fournisseurs recommandent d'utiliser un détecteur de gaz approuvé par UL ou CSA.
- Pour plus d'informations, contactez votre fournisseur de gaz.
- Si une fuite de gaz est détectée, suivez les instructions de la section ci-dessous «Quoi faire si vous sentez du gaz».

▲ AVERTISSEMENT: Quoi faire si vous sentez du gaz

- NE PAS essayer d'allumer l'appareil.
- NE PAS toucher un bouton électrique.
- NE PAS utiliser de téléphones dans l'immeuble.
- Appeler immédiatement votre fournisseur de gaz avec un téléphone à l'extérieur de l'immeuble. (P.e: Allez chez le voisin pour appeler votre fournisseur de gaz ou les pompiers)
- Si vous n'arrivez pas à rejoindre votre fournisseur de gaz, appelez les pompiers.
- L'installation et l'entretien doivent être faits par un technicien qualifié ou une agence d'entretien.

INSTRUCTIONS IMPORTANTES DE SÉCURITÉ

▲ AVERTISSEMENT : Lorsque vous utilisez des appareils au gaz, des instructions de sécurité de base devraient être respectées, incluant les suivantes :

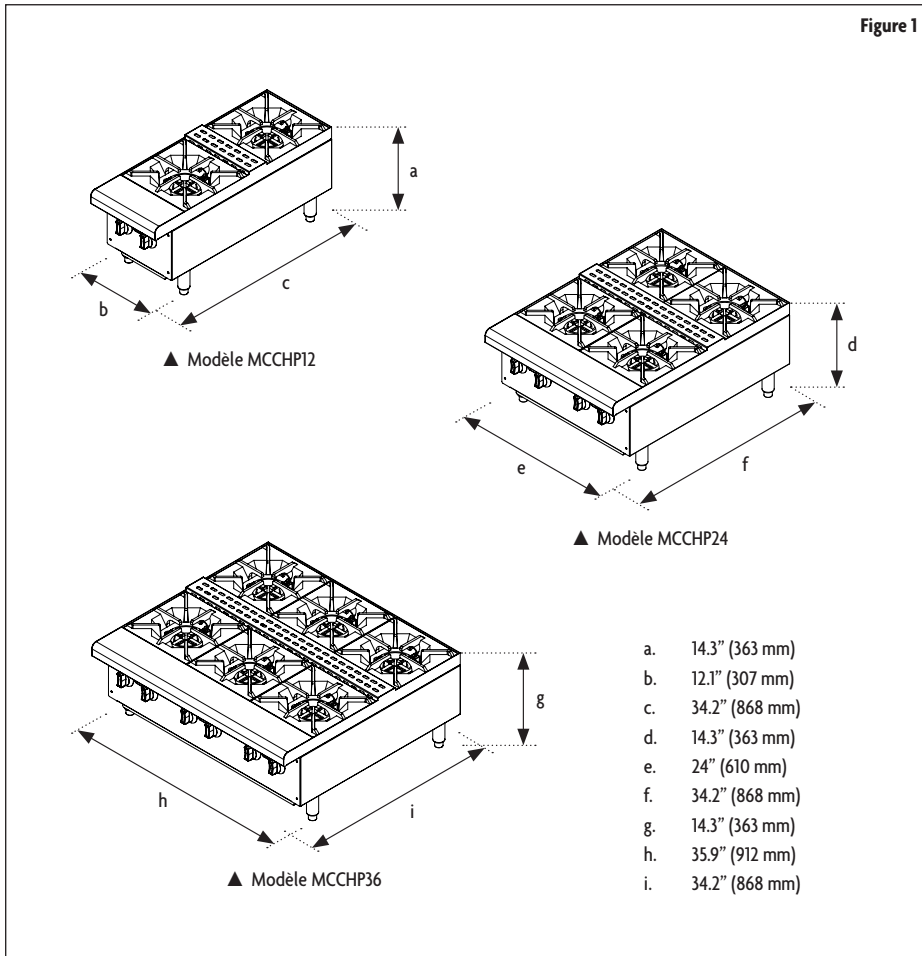
1. Lisez toutes les instructions avant d'utiliser l'appareil.
2. L'appareil devait être installé selon les codes :
 - Des États-Unis :
La réglementation locale ou d'État ou, en l'absence de réglementation locale :
Réglementation nationale de gaz, ANSI-Z223.1/NFPA #54 (dernière édition, ÉU).
Des copies du comité de normes accréditées Z223 de l'association américaine du gaz, au 400 N. Capital St. NW, Washington, DC 20001 ou au secretariat du conseil des normes NFPA, 1 Batterymarch Park, Quincy, MA 02169-7471.
Le standard #96 NFPA enlèvement des vapeurs de l'équipement de cuisson, la dernière édition, disponible à la National Fire Protection Association, Batterymarch Park, Quincy, MA.
 - Au Canada :
Réglementations locales :
CAN/CSA-B149.1 Installation de gaz naturel (dernière édition).
CAN/CSA-B149.2 Réglementation d'installation de propane (dernière édition), disponible à l'association canadienne au 178 Rexdale Blvd., Etobicoke, Ontario Canada M9W 1R3.
3. **▲ AVERTISSEMENT** : Si vous sentez du gaz, éloignez-vous du feu. NE PAS allumer l'appareil ou toucher les boutons électriques. NE PAS utiliser de téléphone dans l'immeuble. Fermez la valve principale immédiatement et appelez un technicien d'entretien pour vérifier votre appareil.
4. **▲ ATTENTION** : Des températures élevées peuvent occasionner des brûlures. NE PAS toucher directement la surface avec les mains à cause de la température élevée pendant ou après l'utilisation.
5. L'installation et l'entretien devraient être faits par un professionnel certifié. Une mauvaise installation pourrait occasionner des dommages matériels et physiques importants qui pourraient annuler la garantie.
6. Toutes modification, mauvaise installation, ajustement ou entretien faits par le client peut occasionner des dommages à la propriété ou des dommages. Veuillez contacter votre manufacturier pour tout ajustement ou de l'entretien et faites faire le travail par du personnel qualifié.
7. NE PAS démonter ou modifier l'appareil. Toute modification peut occasionner des dommages et annuler la garantie.
8. Enlevez le matériel d'emballage et inspectez l'appareil pour des dommages. Si vous avez des problèmes ou s'il y a des problèmes, faites un appel de service et NE PAS utiliser l'appareil. Gardez le matériel d'emballage hors de portée des enfants.
9. L'appareil ne devrait être utilisé qu'avec des valves de régulation de gaz à basse pression. Utiliser d'autres valves de régulation peut occasionner des pertes ou des blessures.
10. NE PAS placer l'appareil dans un liquide, un gaz ou un objet inflammable ou explosif.
11. Si l'appareil est près d'un mur, d'une partition, d'un appareil de cuisine, etc., assurez-vous qu'ils sont faits de matériaux ininflammables et suivez tous les règlements antifeu.
12. Cet appareil devrait être installé dans un endroit bien aéré avec des appareils d'échappement pour vous assurer que les gaz produits sont adéquatement aérés.
13. Cet appareil ne devrait pas être utilisé par une personne incapable de suivre des procédures de sécurité ou sans expérience avec ce type d'équipement, à moins d'être supervisé.

14. Gardez les enfants loin de cet appareil.
15. Mal utiliser l'appareil ou un mauvais entretien peut occasionner des fuites de gaz ou des déflagrations. Le fabricant n'est pas responsable des deux ou des accidents occasionnés par une mauvaise utilisation ou entretien.
16. NE PAS placer d'objets ou de matériels inflammables sur ou près des brûleurs.
17. Lors de la première utilisation, il est possible que l'allumage soit plus long à cause de l'air qui sort du conduit. Si la veilleuse ne peut s'allumer, coupez l'alimentation en gaz pendant 3-5 minutes pour éviter une déflagration.
18. Fermez TOUJOURS l'alimentation lorsque vous ne l'utilisez pas.
19. Cet appareil est uniquement pour une utilisation commerciale.
20. Ce produit est une machine commerciale qui doit être utilisée par des chefs entraînés et n'est pas conçue pour une utilisation domestique.
21. NE PAS placer d'objets lourds sur l'appareil. Une utilisation anormale peut occasionner des dommages.
22. NE PAS mettre d'objets dans le conduit d'évacuation. Ce qui pourrait boucher l'échappement de gaz et occasionner des dommages.
23. NE PAS utiliser l'appareil si rien n'est présent sur les brûleurs.
24. NE PAS endommager le panneau de contrôle avec des objets durs ou coupants.
25. NE PAS asperger de l'eau directement sur l'appareil. Nettoyez la surface en acier inoxydable régulièrement pour éviter les dommages causés par la rouille et les réactions chimiques.
26. Conservez ce manuel. Lorsque vous léguez/vendez cet appareil à une autre partie, ce manuel devrait accompagner l'appareil. Tous les utilisateurs doivent utiliser l'appareil selon le manuel de l'utilisateur et les directives de sécurité associées.
27. Le fabricant n'est pas responsable des deux ou des accidents occasionnés par une mauvaise utilisation ou entretien.

**LISEZ ET SUIVEZ ATTENTIVEMENT
CES INFORMATIONS DE SÉCURITÉ
CONSERVEZ CES INSTRUCTIONS**

SPÉCIFICATIONS

Figure 1



Modèle	Dimensions (H x L x l) REMARQUE: Les jambes ajoutent 100 mm (3.94")	Puissance thermique (BTU/KW)	Bruleurs	Poids net
MCCHP12 MCCHP12-P	14.3" x 12.1" x 34.2" (363 x 307 x 868 mm)	50,000/14.6	2	24kg (52.9 lbs.)
MCCHP24 MCCHP24-P	14.3" x 24" x 34.2" (363 x 610 x 868 mm)	100,000/29.3	4	54 kg (119 lbs.)
MCCHP36 MCCHP36-P	14.3" x 35.9" x 34.2" (363 x 912 x 868 mm)	150,000/43.9	6	76 kg (167.6 lbs.)

INSTRUCTIONS D'INSTALLATION

TRANSPORTATION ET ENTREPOSAGE

Pendant le transport, l'équipement de cuisson devrait être manipulé avec soin. NE PAS placer à l'envers. L'équipement devrait être entreposé dans un entrepôt bien aéré loin des gaz corrosifs. S'il doit être entreposé temporairement à l'extérieur, assurez-vous qu'il n'entre pas en contact avec la pluie.

NOTE D'INSTALLATION

Avant l'installation, assurez-vous que le type de gaz (naturel ou propane) concorde avec les spécifications sur la plaque d'information située à l'arrière de l'appareil. Assurez-vous que l'appareil est configuré pour la bonne élévation.

Écrivez votre modèle et numéro de série dans l'espace ci-dessous pour référence future. Ces informations se retrouvent sur la plaque informative.

Modèle: _____ No. de série: _____

1. L'installation devrait être faite par un technicien certifié.
2. Le branchement à l'appareil devrait être conforme aux exigences de sécurité, d'installation et d'utilisation de gaz.
3. L'installation depuis le tuyau de sortie du débitmètre à gaz ou du régulateur de service jusqu'au tuyau à gaz de l'appareil devrait être faite par des techniciens formés. Ils devraient d'abord tester l'équipement de cuisson et faire des ajustements.
4. Cet appareil ne peut être utilisé que lorsque les quatre pattes sont installées correctement.
5. Cet appareil devrait être installé sur une surface stable, de niveau et ininflammable (p.e: du ciment, des tuiles de céramique, terrazzo ou une surface métallique). Vérifiez la réglementation locale. Assurez-vous de laisser un espace pour une ventilation adéquate.
6. L'appareil doit avoir une distance minimale de 0 «(0 cm) à partir d'une substance non combustible (par exemple, des murs, des fenêtres, etc.) et de 15 à 20 cm (6» à 8 «) à partir de matériaux combustibles.
7. L'installation devrait permettre une bonne aération pour la combustion et ne devrait pas bloquer la ventilation ou l'échappement.
8. Assurez-vous que l'échappement n'interfère pas avec l'entrée d'air de l'appareil.
9. Après l'installation, mettez l'appareil à niveau et maintenez-le stable. NE PAS déplacer ou pencher l'appareil pendant son utilisation.
10. Assurez-vous que le type de gaz est le même que celui pour lequel il est conçu. Sinon, NE PAS utiliser.
11. Selon les exigences locales et une forte recommandation du fabricant, une valve de fermeture peut être nécessaire entre le conduit d'alimentation et le régulateur de pression. Le professionnel d'installation de gaz devrait connaître les exigences par rapport à l'installation d'une valve de fermeture.
12. Enduisez les joints de conduits avec un scellant à conduit pour conduites de gaz. Le scellant devrait être conçu et résistant à l'action du gaz.
13. La pression du gaz devrait être en fonction du type et de la pression inscrite sur la plaque signalétique. Si l'alimentation en gaz est supérieure ou inférieure de 10% par rapport à la pression inscrite, veuillez installer un régulateur de pression pour ajuster la pression du gaz.
14. Après avoir branché l'appareil au système de gaz, cherchez la présence de fuites aux joints et aux raccords; pour ce faire, utilisez une solution savonneuse ou un détecteur de fuite (vaporisateur).

15. NE PAS bloquer ou interférer avec la ventilation nécessaire pendant l'utilisation normale de l'appareil.
16. Vérifiez le type de gaz et la pression et assurez-vous qu'ils sont conformes à ce qui est écrit sur la fiche signalétique. Si un autre gaz/pression est branché, la performance de l'appareil pourrait être affectée et aussi créer des dangers.

INSTRUCTIONS D'UTILISATION

NETTOYER AVANT L'UTILISATION

Les nouveaux appareils sont nettoyés en usine pour enlever tous les signes visibles de saletés, huiles et graisses, etc. restantes du processus de fabrication. Avant toute préparation d'aliment, nettoyez complètement l'huile protectrice de la surface de toutes les pièces avec de l'eau savonneuse pour enlever les résidus de pellicules, de poussière ou de débris.

▲ **REMARQUE** : NE PAS utiliser de nettoyeurs au chlore ou sulfate/sulfite.

▲ **REMARQUE** : Lavez tous les accessoires livrés avec l'appareil.

▲ **REMARQUE** : Rincez complètement les accessoires.

▲ **REMARQUE** : Séchez complètement l'appareil avec un linge doux et propre.

ALLUMEZ LA VEILLEUSE

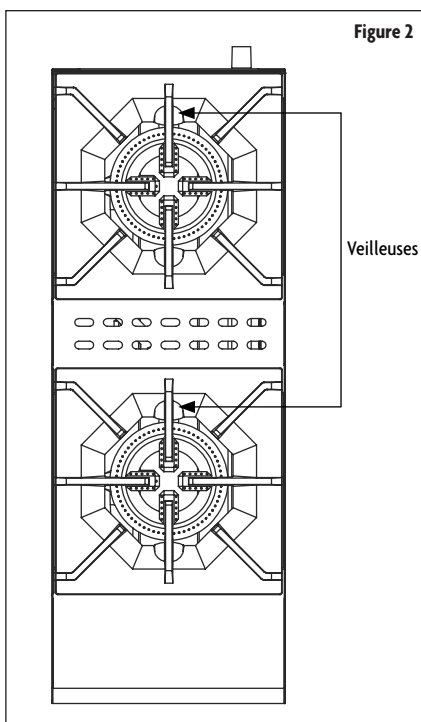
1. Assurez-vous que l'alimentation en gaz concorde avec celle inscrite sur la fiche.
2. Assurez-vous que les boutons de commande sont dans la position «OFF».
3. Ouvrez la valve d'alimentation principale.
4. Utilisez une longue allumette ou un briquet à grill pour allumer les témoins situés sous le brûleur (voir illustration).

▲ **AVERTISSEMENT** : ALLUMEZ TOUJOURS les veilleuses immédiatement après avoir ouvert la valve d'alimentation principale.

5. Tournez les boutons de commande dans le sens antihoraire pour allumer et contrôler les brûleurs. Il est complètement ouvert à 90°.
6. Après l'utilisation, tournez les boutons de commandes dans le sens horaire jusqu'à «OFF».
7. Après l'utilisation, fermez la valve principale d'alimentation.

▲ **REMARQUE** : Assurez-vous de TOUJOURS mettre les brûleurs à «OFF» lorsqu'ils ne sont pas utilisés.

▲ **REMARQUE** : Il peut y avoir un peu de fumée lors de la première utilisation résultant de la combustion du revêtement antirouille. C'est normal. Veuillez laisser brûler pendant au moins 15 minutes avant de l'utiliser la première fois.



SOIN ET ENTRETIEN

INSPECTION DE ROUTINE

Avant l'utilisation, assurez-vous que l'appareil est de niveau et qu'aucun dommage n'est visible. Assurez-vous qu'il n'y a pas d'odeurs ou de vibrations et que la flamme du brûleur est normale. Si vous apercevez un problème, arrêtez l'utilisation et faites l'entretien de l'appareil.

NETTOYAGE ET ENTRETIEN

1. TOUJOURS éteindre l'appareil et s'assurer qu'il est refroidit avant d'en faire l'entretien ou le nettoyage.
2. Nettoyez le panneau frontal et la plaque à gras au moins deux fois par jour ou au besoin.
3. Nettoyez les brûleurs au moins une fois par semaine ou au besoin.
4. Nettoyez les surfaces en acier inoxydable avec de l'eau chaude et du savon tous les jours et rincez-les complètement avec de l'eau propre. (NE PAS vaporiser directement de l'eau sur l'appareil pendant le nettoyage.)
5. NE PAS nettoyer les surfaces en acier inoxydable avec des nettoyants abrasifs, des brosses, des grattoirs, etc. Ce type de nettoyants peut causer de la rouille. Essuyez TOUJOURS dans le sens du fini.
6. NE PAS utiliser de produits de chlore (eau de javel, acide hydrochlorique, etc.) sur les surfaces en inox.
7. NE PAS modifier la ventilation des brûleurs.
8. Après le nettoyage, enlevez tout liquide ou débris des trous du brûleur avec un fil mince pour éviter les fuites de gaz.
9. Lorsqu'il n'est pas utilisé, assurez-vous que l'alimentation en gaz est coupée.
10. S'il n'est pas utilisé pendant une longue période, complètement nettoyer toutes les pièces de la plaque chauffante et l'entreposer dans un endroit aéré.
11. La plaque chauffante devrait être complètement inspectée au moins une fois par an par un technicien d'entretien.
12. Veuillez noter que la plupart des pièces de cet appareil peuvent être recyclés et qu'elles devraient l'être selon la réglementation locale.

DÉPANNAGE

Problème	Causes probables	Solutions
La veilleuse ne s'allume pas.	La pression du gaz est trop faible.	Ajustez la valve de pression.
	Le trou du bruleur est bouché.	Débouchez le trou du bruleur.
	La valve de contrôle du gaz est défectueuse.	Remplacez la valve de contrôle.
Le témoin est allumé, mais le bruleur ne s'allume pas.	La pression du gaz est trop faible.	Ajustez la valve de pression.
	La buse principale est bouchée.	Débouchez la buse.
	La valve de contrôle du gaz est défectueuse.	Remplacez la valve de contrôle.
Le bruleur fait un bruit sec lorsque l'alimentation est coupée.	Le diamètre de l'alimentation ne concorde pas avec l'alimentation principale.	Ajustez le diamètre de la buse.
	Le suppresseur est trop ouvert.	Réduisez l'ouverture du clapet.
	L'alimentation en gaz est trop basse.	Ajustez la valve.
Présence de flamme jaune/orange et de la fumée noire.	Le diamètre de l'alimentation ne concorde pas avec l'alimentation principale.	Ajustez le diamètre de la buse.
	Le suppresseur n'est pas assez ouvert.	Ajustez l'ouverture du clapet.
	Le gaz est presque vide.	Remplacez le gaz.
Les problèmes mentionnés le sont à titre de référence. Si une défaillance apparaît veuillez arrêter l'utilisation et contactez un technicien pour le vérifier et le réparer. Assurez-vous de TOUJOURS couper l'alimentation en gaz avant d'en faire l'entretien.		



GARANTIE LIMITÉE

MC Appliance Corporation garantit que toutes les nouvelles plaques chauffantes de cuisson au gaz ne présentent aucun défaut matériel ou de main-d'oeuvre et accepte de remédier à ces défauts ou de fournir des nouvelles pièce(s), à la discrétion de la compagnie, pour toute pièce(s) de l'appareil qui fait défaut durant la période de garantie. Les pièces et la main-d'oeuvre de cet appareil sont garanties pendant une période d'un an depuis la date d'achat. Une copie avec la date du reçu de vente ou de la facture est nécessaire pour recevoir un remplacement, un remboursement ou la réparation sous garantie.

Dans l'éventualité qu'un appareil nécessite un remplacement ou un remboursement selon les termes de la garantie, le consommateur est responsable de toutes les dépenses de manutention liées au renvoi de l'appareil à l'usine avant de recevoir son appareil de remplacement ou son remboursement. Une copie avec la date du reçu de vente ou de la facture est nécessaire pour recevoir un remplacement, un remboursement ou la réparation sous garantie. Un remboursement ou un remplacement sera émis à la discrétion de MC Appliance Corporation.

Cette garantie s'applique aux appareils utilisés aux États-Unis contigus, Alaska, Hawaii et Puerto Rico. Cette garantie ne s'applique pas aux cas suivants:

- Les dommages causés par la manutention ou une mauvaise installation.
- Les dommages dus à une mauvaise utilisation ou une utilisation abusive.
- La perte de contenu dû à une défaillance de l'appareil.
- Les composants internes comme les plaques tournantes, les guides roulants, les ampoules, etc.
- Les réparations faites par un agent non autorisé.
- Les appels de services qui ne concernent pas les défauts de matériel ou de main-d'oeuvre comme des instructions sur l'installation appropriée de ce produit ou sa mauvaise installation.
- Le remplacement ou le réarmage d'un disjoncteur ou de fusibles.
- La défaillance du produit s'il est utilisé pour d'autres raisons que sa raison de conception.
- Les coûts de récupération de tout appareil défectueux qui n'est pas renvoyé à l'usine.
- Tous les coûts d'installation/de livraison encourus par un appareil qui ne fonctionne pas selon les spécifications.
- Les dépenses de transport ou manutention pour la réparation si votre produit est situé dans une zone éloignée où les services d'un technicien autorisé ne sont pas disponibles.
- Enlever ou réinstaller votre appareil s'il est installé dans un endroit inaccessible ou s'il n'est pas installé selon les instructions d'installation publiées.
- Les remboursements pour les produits non réparables se limitent au prix payé pour l'appareil sur le reçu de vente.
- Cette garantie n'est pas transférable. Cette garantie ne s'applique qu'à propriétaire original et ne s'étend pas au propriétaire(s) subséquent(s).

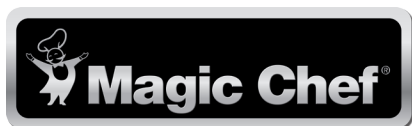
LIMITES DES RECOURS ET EXCLUSIONS

La réparation du produit selon les termes ci-inclus est votre seul recours durant la garantie limitée. Toutes garanties implicites incluant la qualité marchande et la bonne condition pour une utilisation particulière sont, par la présente, limitées à un an ou la plus courte période permise par la loi. MC Appliance Corporation n'est pas responsable des dommages accidentels ou consécutifs et aucun représentant ou personne n'est autorisé à assumer en notre nom toute autre responsabilité en lien avec la vente de ce produit. En aucun cas le consommateur n'est-il autorisé à retourner cet appareil à l'usine sans autorisation préalable de MC Appliance Corporation.

Certains États interdisent les exclusions ou limites sur les dommages accidentaux ou consécutifs ou les limites sur les garanties implicites. Cette garantie vous donne des droits légaux spécifiques et vous pourriez avoir d'autres droits qui peuvent varier d'un État à l'autre.

Modèle	Pièces et main-d'oeuvre	Type de service
MCCHP12 / MCCHP12-P	Un an	sur place
MCCHP24 / MCCHP24-P	Un an	sur place
MCCHP36 / MCCHP36-P	Un an	sur place

Pour de l'aide ou du service, veuillez appelez 1-866-789-0202 ou visitez notre site web au www.mcappliance.com pour demander une réparation sous garantie ou commander des pièces.



**CNA International, Inc. d/b/a MC Appliance Corporation. Tous droits réservés.
Le logotype Magic Chef® est une marque de commerciale de CNA International Inc.**

www.mcappliance.com

Imprimé en Chine