

This Owner's Manual is provided and hosted by [Appliance Factory Parts](http://www.appliancefactoryparts.com).



MAGIC CHEF MCCTG36 Owner's Manual

[Shop genuine replacement parts for MAGIC CHEF
MCCTG36](#)



[Find Your MAGIC CHEF Oven Parts - Select From 16 Models](#)

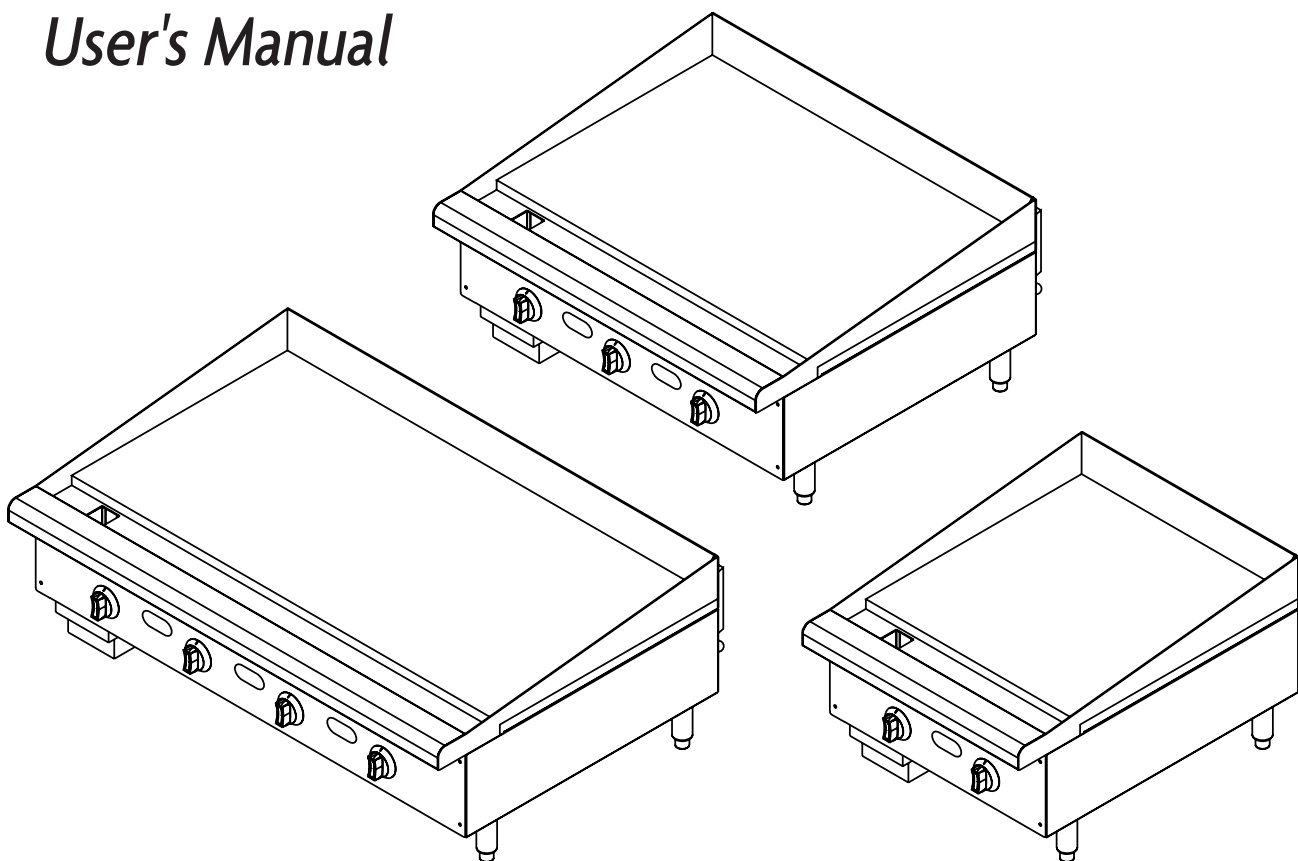
----- Manual continues below -----



Magic Chef[®]
C O M M E R C I A L

Thermo/Manual Griddle

User's Manual



Model MCCTG24 / MCCTG24-P / MCCTG36 / MCCTG36-P / MCCTG48 / MCCTG48-P
MCCMG24 / MCCMG24-P / MCCMG36 / MCCMG36-P / MCCMG48 / MCCMG48-P

PLEASE READ THIS MANUAL CAREFULLY BEFORE USING YOUR COMMERCIAL THERMO/MANUAL GRIDDLE AND KEEP IT FOR FUTURE REFERENCE.



PRODUCT REGISTRATION

Thank you for purchasing a Magic Chef Commercial product. The first step to protect your new product is to complete the product registration on our website: www.mcappliance.com/register. The benefits of registering your product include the following:

1. Registering your product will allow us to contact you regarding a safety notification or product update.
2. Registering your product will allow for more efficient warranty service processing when warranty service is required.
3. Registering your product could act as your proof of purchase in the event of insurance loss.

Once again, thank you for purchasing a Magic Chef Commercial product.

CONTENTS

PRODUCT REGISTRATION	2
PRECAUTIONS	4
IMPORTANT SAFETY INSTRUCTIONS	5
SPECIFICATIONS.....	7
INSTALLATION INSTRUCTIONS	8
OPERATING INSTRUCTIONS.....	10
CARE AND MAINTENANCE	11
TROUBLESHOOTING	12
LIMITED WARRANTY	13

PRECAUTIONS

EXPLANATION OF SYMBOLS

⚠ WARNING

Hazards or unsafe practices which COULD result in severe personal injury or death.

⚠ CAUTION

Hazards or unsafe practices which COULD result in minor personal injury or property damage.

⚠ WARNING: Read and understand all safety precautions. Failure to follow all instructions described in this user manual may result in electric shock, fire and/or serious personal injury. The warnings, cautions and instructions discussed in this user manual cannot cover all possible conditions and situations that may occur.

⚠ WARNING: If information in this manual is not followed exactly, a fire or explosion may result causing property damage, personal injury or death. DO NOT store or use gasoline or other flammable vapors and liquids in the vicinity of this or any other appliance.

⚠ WARNING: Gas Leak

- Gas leaks cannot always be detected by smell.
- Gas suppliers recommend that you use a gas detector approved by UL or CSA.
- For more information, contact your gas supplier.
- If a gas leak is detected, follow the “What to Do If You Smell Gas” section below.

⚠ WARNING: What to Do If You Smell Gas

- DO NOT try to turn on any appliance.
- DO NOT touch any electrical switch.
- DO NOT use any phones in home.
- Immediately call your gas supplier from a phone outside of the building. (Ex: Go to a neighbor’s to call your gas supplier or fire department.)
- If the gas supplier cannot be reached, call the fire department.
- Installation and service must be performed by a qualified installer or service agency.

IMPORTANT SAFETY INSTRUCTIONS

▲ WARNING: When using gas appliances, basic safety precautions should be followed, including the following:

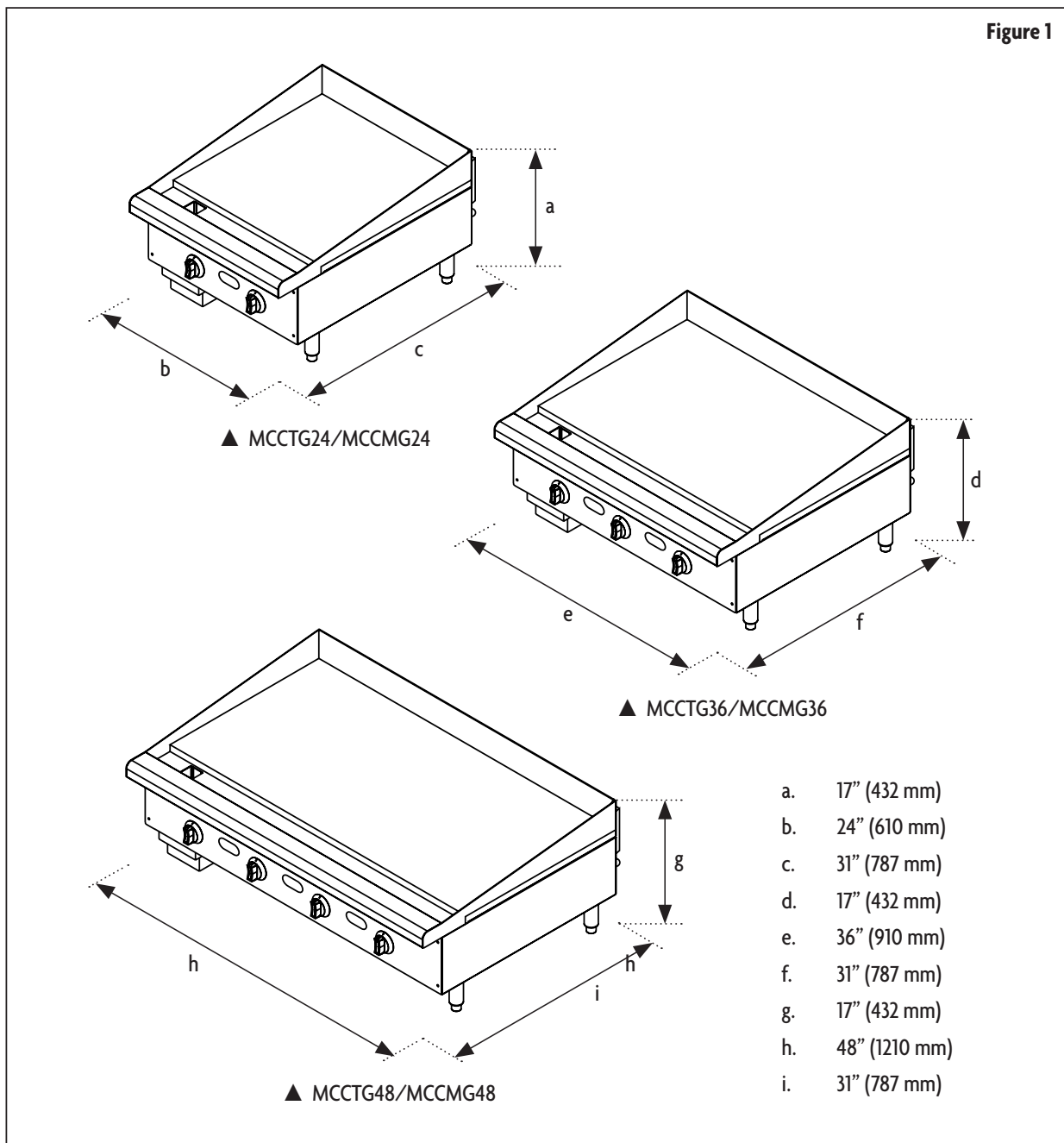
1. Read all instructions before using the appliance.
2. Any self-modification, improper installation, adjustment or maintenance can lead to property loss or casualty. Please contact the manufacturer for any adjustment or maintenance, and have the work done by a trained & qualified professional.
3. The griddle should be used in accordance with ANSI Z223.1/NFPA 54 (latest edition) of the National Fuel Gas Code, the National Gas Installation Code, CSA/B149.1 or the Propane Installation code, CSA/B149.1, as applicable. Copies may be obtained from the American Gas Association, 1515 Wilson Blvd, Arlington, VA 22209.
4. DO NOT place the griddle by any liquid, gas or other that is flammable or explosive.
5. This appliance should not be operated by those who have physiological, perceptual or mental disabilities or those who have insufficient experience or knowledge (including children). Only in conditions of being given sufficient supervise & guarantee of personal safety, as well as proper instructions & guidance, those who were mentioned above can make some particular operation of this device.
6. Keep children away from the device.
7. Keep this manual in a safe and easily accessible place. When passing on/selling the device to a third party, the manuals must be handed over along with the device. All users must operate the device complying with the user's manual and related safety guidelines.
8. If the appliance is placed near walls, partitions or kitchen furniture and the like, it is advisable to make these facilities with non-combustible material, otherwise cover them with non-combustible heat-resistant material, and pay attention to fire prevention regulations.
9. The appliance should be installed in a well-ventilated area with exhausting facilities, which may ensure that all burnt gases produced during combustion process are completely exhausted.
10. The appliance is only applicable to low-pressure gas regulating valves. It may lead to loss and casualty if you use other regulating valves.
11. DO NOT burn the device if it is empty.
12. Fire warning: If you smell the gas, please keep away from fire. DO NOT light up any device or touch the electronic switch. DO NOT use any phone in the building either. Close the main gas valve immediately and call professional personnel to maintain it. Operating by the appliance by force or maintaining improperly will lead to large gas leakage or deflagration easily. The manufacturer won't bear any responsibility for fire accidents caused by improper operation or maintenance.
13. When first using, installation and maintenance should be operated by professional personnel or qualified people.
14. Please keep the integrity of the appliance and remove the outer packing. If you have any questions, call the specialist and stop using the appliance. Keep the packing materials away from children. (For the materials are plastic bags, nails etc.)
15. When first using, the duration of ignition may be a little longer due to the air existing in the new pipe. If the ignition cannot be lit up, turn off the ignition switch and turn on it 3 minutes later to prevent from deflagration.
16. To avoid danger, please turn off the device when not in use.
17. This product is a commercial machine that needs to be operated by trained cooks, not applicable for home use.
18. This device is for commercial use only, not applicable for other usage.

19. DO NOT dismantle or self-modify the device. Dismantlement and self-modification may cause casualty.
20. DO NOT pat the product or put any heavy objects onto it. Abnormal operation may cause damage and danger.
21. DO NOT put any other object in the smoke vent of the heater. That may block the flue gas and cause harm.
22. High temperatures may cause scalding. DO NOT touch the appliance surface with hands directly due to high temperature during or after operation.
23. DO NOT destroy the control panel with hard or sharp objects.
24. DO NOT spray water directly to the appliance. Clean the stainless steel surface regularly to prevent damage caused by surface oxidation and chemical reaction.

**READ AND FOLLOW THIS
SAFETY INFORMATION CAREFULLY
SAVE THESE INSTRUCTIONS**

SPECIFICATIONS

Figure 1



Model	Dimensions (H x W x D)	Thermal Power (KW/BTU)	Burners	Net Weight
MCCTG24 / MCCMG24 MCCTG24-P / MCCMG24-P	17" x 24" x 31" 432 x 610 x 787 (mm)	17.6/60000	2	205 lbs. (93 kg)
MCCTG36 / MCCMG36 MCCTG36-P / MCCMG36-P	17" x 36" x 31" 432 x 910 x 787 (mm)	26.4/90000	3	309 lbs. (140 kg)
MCCTG48 / MCCMG48 MCCTG48-P / MCCMG48-P	17" x 48" x 31" 432 x 1210 x 787 (mm)	35.2/120000	4	418.9 lbs. (190 kg)

INSTALLATION INSTRUCTIONS

TRANSPORTATION AND STORAGE

During transportation, the cooking equipment should be carefully handled. DO NOT place it upside down. The equipment should be stored in a well ventilated warehouse without corrosive gas. If it needs to be stored outside temporarily, make sure it does not come in contact with rain.

NOTICE FOR INSTALLMENT

1. Installation should be operated by professional technicians.
2. Connection of the device should conform to provisions of gas safety, installation and usage.
3. The device can be used only when four legs are installed correctly.
4. The appliance should have a minimum clearance of 0" (0cm) from non-combustible substance (e.g. walls, windows etc.), and 6" - 8" (15 - 20cm) from combustible materials.
5. This appliance should be installed on a stable, level and non-combustible surface (e.g. cement, ceramic tile, terrazzo and metal surface). Verify the requirements of local regulation. Paving metal or ceramic tile onto combustible material does not conform to requirements of non-combustible surface regulation. Please leave appropriate clearance for the ventilation vent in the cabinet to keep the appliance away from the combustible surface nearby.
6. The mounting position should supply sufficient make-up air during normal combustion and installation should not block the burning airflow and ventilation.
7. If the exhaust fan is used, pay special attention to avoid operations that interfere with the device, e.g. ventilation and air demand of the device.
8. After installation, level the device and keep stable. DO NOT sway or tilt the device during operation.
9. DO NOT use gas that is not applicable to this device as fuel, DO NOT use high-pressure or medium-pressure regulating valves. This device is can only be used with a low-pressure regulating valve.
10. A quick-acting switch-off gas valve should be installed upstream to the device where it is easy to reach before installation of the appliance.
11. Make sure the supplied gas is the same as the gas that the device allows to use. If not, please stop using.
12. Coat some dedicated pipe sealant for gas pipeline in all the pipe joints. The sealant used should have durability for the gas action.
13. If the pipeline pressure is 10% higher or lower than the rated pressure, please install a pressure regulator to adjust the gas pressure to reach the rated one.
14. Installation from the outlet end of the gas flow meter or service regulator to the gas pipe of the device should be operated by professional technicians and qualified personnel. They should also use the cooking equipment first and adjust it.
15. DO NOT block the ventilation of the device and interfere with the ventilation needed during normal operation of the burners.
16. After connecting the appliance to the gas system, check for leaks at joints and pipe fittings; to do so, use soapy water or a specific leak detector (spray).

INSTALLATION

1. Verify the gas type and pressure, and make sure that they conform to those marked on the rating label. If incorrect gas type/pressure is connected, it may damage the performance of the device and create safety hazards.
2. Before installing the gas pipeline, please install the appliance in an ultimate-use position. Adjust the height of the appliance on all 4 leveling legs using a water level to make sure the device is in a level state. After installing the gas pipeline, check the level state of the device again.
3. According to requirement of local standard and strong recommendation of the manufacturer, a gas shut-off valve may be needed between the gas supply pipeline and gas-pressure regulator. Whether the installation of the gas shut-off valve has any requirements in the local standard should be judged by the gas installation personnel.

OPERATING INSTRUCTIONS

THERMO GRIDDLE

Before operation, please read the user's manual carefully. If the appliance has been immersed in water, please stop using and call the technicians to check and repair or replace all the components that are immersed in the water. Before using this appliance, please make sure that the main burner, pilot light burner and oil receiver are correctly installed.

1. Before igniting the pilot light, ensure there is no gas odor around the device. When first using or after cutting off the gas supply, it may take several minutes to ignite the pilot light due to the air existing in the pipeline or clearance of the inlet pipe.
2. Switch on the pilot control valve by rotating it counterclockwise and ignite the pilot flame with an ignitor.
3. Turn the knob counterclockwise to switch on the main burner valve. Select your desired temperature. The temperature can be selected 150°F and 450°F, increasing by 5°F increments.
4. After working, turn the knob counterclockwise to turn off the main burner.

▲ NOTE: Control knobs of the burners can be operated manually only. DO NOT rotate it with tools. If it cannot be rotated manually, DO NOT rotate or repair it with force. Force or improper maintenance may cause fire or explosion.

MANUAL GRIDDLE

Before operation, please read the user's manual carefully. If the appliance has been immersed in water, please stop using and call the technicians to check and repair or replace all the components that are immersed in the water. Before using this appliance, please make sure that the main burner, pilot light burner and oil receiver are in correct installation.

1. Before igniting the pilot light, ensure there is no gas odor around the device. When first using or after cutting off the gas supply, it may take several minutes to ignite the pilot light due to the air existing in the pipeline or clearance of the inlet pipe.
2. Switch on the pilot control valve by rotating it counterclockwise and ignite the pilot flame with an ignitor.
3. Turn the knob counterclockwise to switch on the main burner valve. The main burner will be completely opened when the angle is 90°. The firepower is adjustable according to the needs of the food by rotating the valve.
4. After working, rotate the knob a 90° angle clockwise to turn off the main burner. After this is completed, cut off the gas supply.

▲ NOTE: Control knobs of the burners can be operated manually only. DO NOT rotate it with tools. If it cannot be rotated manually, DO NOT rotate or repair it with force. Force or improper maintenance may cause fire or explosion.

▲ NOTE: There may be some smoke at the initial startup as the result of rust prevention coatings burning off. This is normal. Please allow at least a 15 minute burn in period before using for the first time.

DAILY INSPECTION

It is necessary to check the cooking equipment daily to avoid serious accidents. Stop using if user feels that there are some problems in the circuit or machine. Check the condition of the machine before or after using every day.

Before using, make sure the cooking equipment is not tilted and that the control panel is intact. While using, ensure there are no strange smells, light back, flameouts or vibrating noises and that the burner flame is normal.

CARE AND MAINTENANCE

1. Clean the griddle and residue in the oil tray regularly (Twice a day is advised).
2. Every day after using, wipe down all surfaces using a wet cloth with warm soapy water, then wipe down with clean wet cloth. DO NOT spray the device directly with water to wash.
3. DO NOT use abrasive detergents, brushes or scrapers to clean the stainless steel surface, as doing so may cause rust. DO NOT use any chloride product (bleach, hydrochloric acid, etc.), even if diluted. Wipe surface to clean with the direction of the grain.
4. DO NOT modify the necessary air volume for combustion.
5. When not in use, disconnect it from gas source.
6. Have a trained technician do a complete inspection of the device at least once a year.
7. Over 90% of the device is made of metals that can be recycled if disposed of properly at a designated treatment or recycling facility in accordance with any local or state standards.

TROUBLESHOOTING

Problems mentioned below are just for reference. If any failure occurs, please stop using immediately and contact a professional technician to check and repair. Safety first! Please cut off the electric and gas source before maintenance.

Problem	Possible Causes	Solutions
The pilot burner cannot be lit	The pressure of the gas conduit is too low.	Regulate the pressure relief valve.
	The pilot nozzle is blocked.	Clean the nozzle of the pilot.
	The gas valve is malfunctioning.	Replace the gas pilot control valve.
The pilot is on but the main burners cannot be ignited	The pressure of the gas conduit is too low.	Regulate the gas relief valve.
	The main burner nozzle is blocked.	Clean the main burner nozzle.
	The gas valve is malfunctioning.	Replace the gas control valve.
There is a sound when cut off the gas source	The nozzle orifice diameter does not match with the gas source.	Regulate the nozzle diameter.
	The gas source pressure is on the low side.	Regulate the gas relief valve or communicate with gas supply department.
	The inflow of the connecting pipe is too low.	Increase the allowable inflow volume.
There is yellow flame and black smoke	The nozzle diameter does not match with the gas source.	Regulate the nozzle diameter.
	The gas cannister is almost empty.	Change the gas source.
	The gas composition is fluctuating during gas peak.	Regulate the inflow volume to a relative smaller position, and adjust it back to normal when the gas peak is over.
	Not enough air through damper.	Turn the damper up.



LIMITED WARRANTY

MC Appliance Corporation warrants each new Commercial Thermo/Manual Griddle to be free from defects in material and workmanship, and agrees to remedy any such defect or to furnish a new part(s), at the company's option, for any part(s) of the unit that has failed during the warranty period. Parts and labor expenses are covered on this unit for a period of one year from the date of purchase. A copy of the dated sales receipt or invoice is required to receive warranty service, replacement or refund.

In the event the unit requires replacement or refund under the terms of this warranty, the consumer is responsible for all transportation expenses to return the unit to our factory prior to receiving a replacement unit or refund. A copy of the dated sales receipt/invoice is required to receive warranty service, replacement or refund. A refund or replacement will be issued at the discretion of MC Appliance Corporation.

This warranty covers appliances in use within the contiguous United States, Alaska, Hawaii and Puerto Rico. This warranty does not cover the following:

- Damages due to shipping damage or improper installation.
- Damages due to misuse or abuse.
- Content losses due to failure of the unit.
- Inside components such as turntable, roller guide, light bulbs, etc.
- Repairs performed by unauthorized service agents.
- Service calls that do not involve defects in material and workmanship such as instructions on proper use of the product or improper installation.
- Replacement or resetting of house fuses or circuit breakers.
- Failure of this product if used for other purposes than its intended purpose.
- Disposal costs for any failed unit not returned to our factory.
- Any delivery/installation costs incurred as the result of a unit that fails to perform as specified.
- Expenses for travel and transportation for product service if your appliance is located in a remote area where service by an authorized service technician is not available.
- The removal and reinstallation of your appliance if it is installed in an inaccessible location or is not installed in accordance with published installation instructions.
- Refunds for non repairable products are limited to the price paid for the unit per the sales receipt.
- This warranty is non transferable. This warranty applies only to the original purchaser and does not extend to any subsequent owner(s).

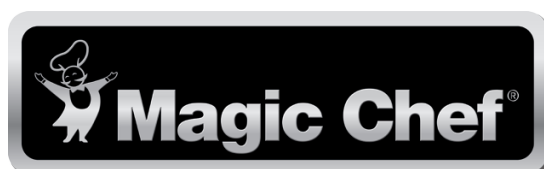
LIMITATIONS OF REMEDIES AND EXCLUSIONS:

Product repair in accordance with the terms herein, is your sole and exclusive remedy under this limited warranty. Any and all implied warranties including merchantability and fitness for a particular purpose are hereby limited to one year or the shortest period allowed by law. MC Appliance Corporation is not liable for incidental or consequential damages and no representative or person is authorized to assume for us any other liability in connection with the sale of this product. Under no circumstances is the consumer permitted to return this unit to the factory without the prior written consent of MC Appliance Corporation.

Some states prohibit the exclusion or limitation of incidental or consequential damages, or limitations on implied warranties. This warranty gives you specific legal rights, and you may also have other rights which vary from state to state.

Model	Parts & Labor	Type of Service
MCCTG24/MCCTG24-P/MCCMG24/MCCMG24-P	One Year	In Field
MCCTG36/MCCTG36-P/MCCMG36/MCCMG36-P	One Year	In Field
MCCTG48/MCCTG48-P/MCCMG48/MCCMG48-P	One Year	In Field

For Service or Assistance please call 888-775-0202 or visit us on the web at www.mcappliance.com to request warranty service or order parts.



**CNA International, Inc. d/b/a MC Appliance Corporation. All rights reserved.
Magic Chef® logo is a registered trademark of CNA International, Inc.**

www.mcappliance.com

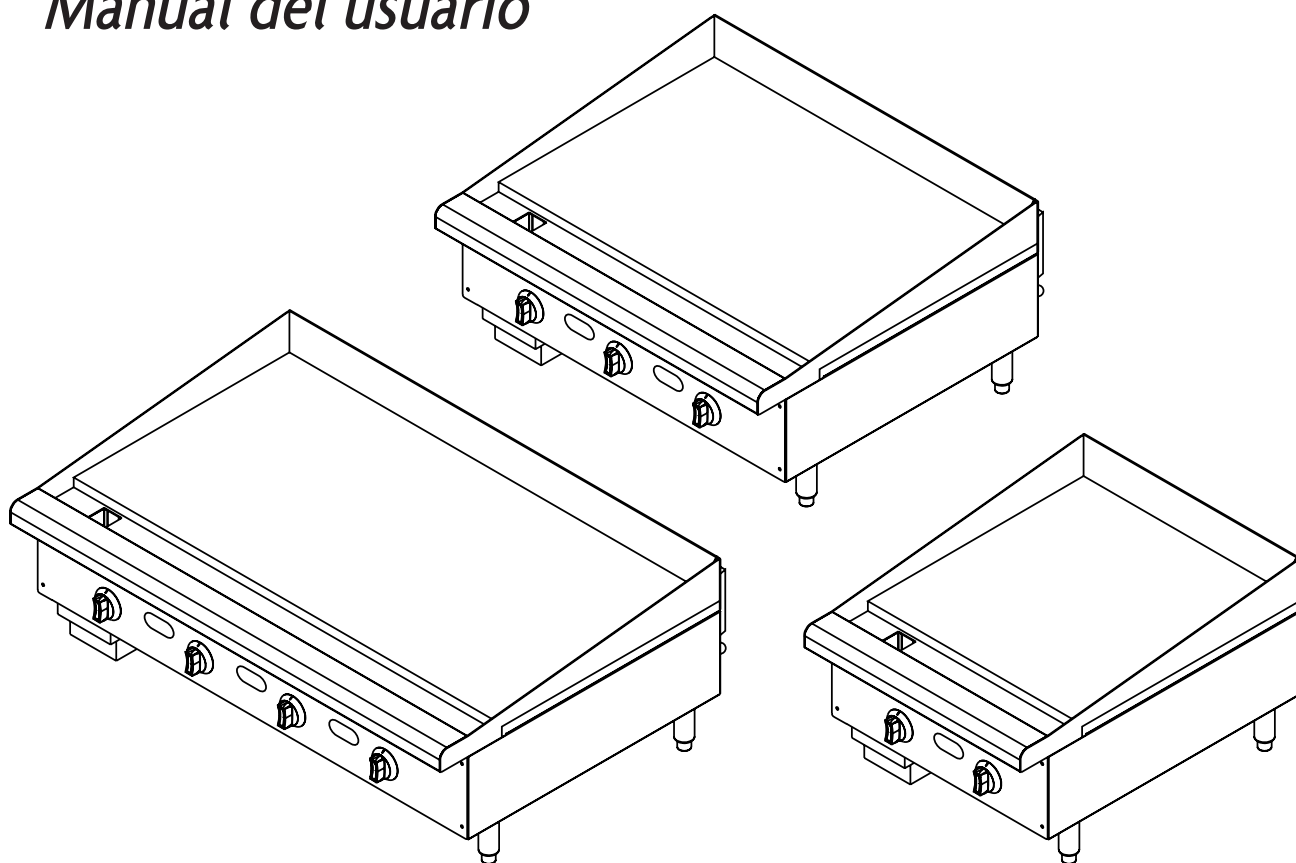
Printed in China



Magic Chef[®]
C O M M E R C I A L

Plancha térmica/manual

Manual del usuario



Modelos MCCTG24 / MCCTG24-P / MCCTG36 / MCCTG36-P / MCCTG48 / MCCTG48-P
MCCMG24 / MCCMG24-P / MCCMG36 / MCCMG36-P / MCCMG48 / MCCMG48-P

**POR FAVOR LEA CUIDADOSAMENTE ESTE MANUAL ANTES DE USAR SU
PLANCHA TÉRMICA/MANUAL Y CONSÉRVELO PARA FUTURAS REFERENCIAS.**



REGISTRO DEL PRODUCTO

Gracias por comprar un producto Magic Chef Commercial. El primer paso para proteger su nuevo producto es completar el registro del producto en nuestro sitio web: www.mcappliance.com/register. Los beneficios de registrar su producto incluyen los siguientes:

1. Registrar su producto nos permitirá contactarlo en relación a un aviso de seguridad o actualización del producto.
2. Registrar su producto nos permitirá un proceso de servicio de garantía más eficiente, cuando sea requerido un servicio de garantía.
3. Registrar su producto puede funcionar como su prueba de compra en el caso de que usted sufra una pérdida que esté cubierta por un seguro.

Una vez más, gracias por comprar un producto Magic Chef.

ÍNDICE

REGISTRO DEL PRODUCTO	16
PRECAUCIONES	18
INSTRUCCIONES DE SEGURIDAD IMPORTANTES	19
ESPECIFICACIONES	21
INSTRUCCIONES DE INSTALACIÓN	22
INSTRUCCIONES DE FUNCIONAMIENTO	24
CUIDADO Y MANTENIMIENTO	25
SOLUCIÓN DE PROBLEMAS	26
GARANTÍA LIMITADA	27

PRECAUCIONES

EXPLICACIÓN DE LOS SÍMBOLOS

⚠ ADVERTENCIA

Peligros o prácticas inseguras que PODRÍAN provocar lesiones personales graves o la muerte.

⚠ PRECAUCIÓN

Peligros o prácticas inseguras que PODRÍAN provocar lesiones personales leves o daños materiales.

⚠ ADVERTENCIA: Lea y comprenda todas las precauciones de seguridad. La inobservancia de todas las instrucciones descritas en este manual del usuario podría derivar en descarga eléctrica, incendio y/o lesiones personales graves. Las advertencias, precauciones e instrucciones planteadas en este manual del usuario no cubren todas las eventuales condiciones y situaciones que podrían suscitarse.

⚠ ADVERTENCIA: Si la información en este manual no se sigue exactamente, un incendio o una explosión podría resultar ocasionando daños materiales, lesiones personales o la muerte. NO guarde, ni utilice gasolina, u otro vapor o líquido inflamable en las cercanías de éste o de cualquier otro aparato.

⚠ ADVERTENCIA: Fuga de Gas

- Las fugas de gas no siempre pueden ser detectadas por el olor.
- Los proveedores de gas recomiendan que usted utilice un detector de gas aprobado por UL o CSA.
- Para mayor información, comuníquese con su proveedor de gas.
- Si se detecta una fuga de gas, siga la sección “Qué hacer si huele a gas” a continuación.

⚠ ADVERTENCIA: Qué hacer si huele a gas

- NO trate de encender ningún aparato.
- NO toque ningún interruptor eléctrico.
- NO utilice ningún teléfono en la casa.
- Inmediatamente llame a su proveedor de gas desde un teléfono afuera de la casa. (Ej.: Vaya a la casa del vecino para llamar a su proveedor de gas o al departamento de bomberos).
- Si el proveedor de gas no puede ser contactado, llame al departamento de bomberos.
- La instalación y el servicio deben ser ejecutados por un instalador calificado o una agencia de servicio.

INSTRUCCIONES DE SEGURIDAD IMPORTANTES

▲ ADVERTENCIA: Cuando utilice aparatos de gas, debe seguir las precauciones básicas de seguridad, incluidas las siguientes:

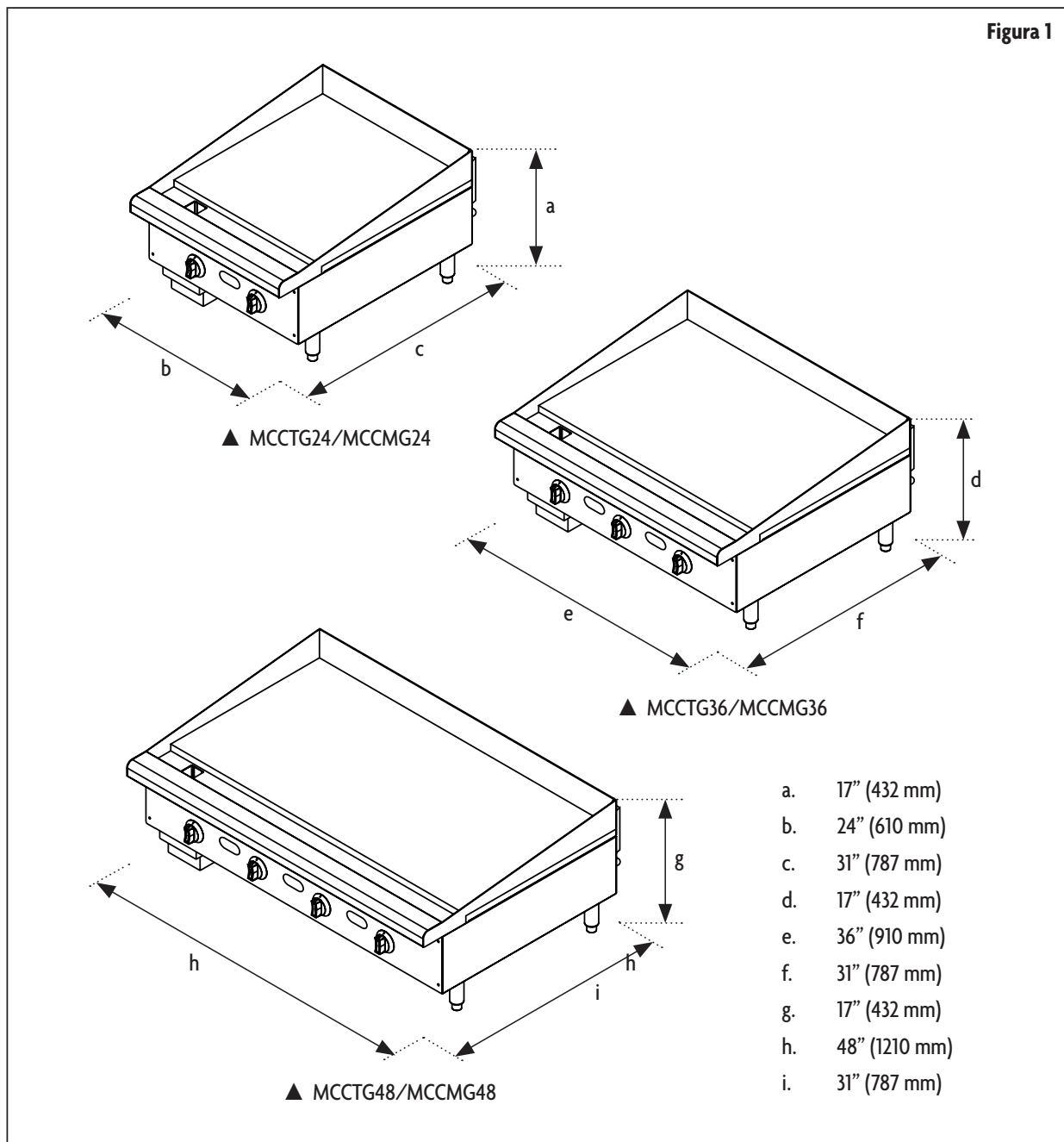
1. Lea todas las instrucciones antes de utilizar el aparato.
2. Cualquier modificación que realice por su cuenta, instalación incorrecta, ajuste o mantenimiento puede provocar pérdidas de bienes o accidentes graves. Comuníquese con el fabricante si necesita hacer cualquier ajuste o mantenimiento y deje que el trabajo lo realice una persona capacitada y calificada.
3. La plancha debería usarse de conformidad con las normativas del Instituto Estadounidense Nacional de Estándares (American National Standards Institute, ANSI) Z223.1/la Asociación Nacional de Protección contra el Fuego (National Fire Protection Association, NFPA) 54 (edición más reciente) del Código Nacional del Gas Combustible, el Código Nacional de Instalación de Gas CSA/B149.1 o el Código de Instalación de Gas Propano CSA/B149.1 cuando correspondan. Pueden obtenerse copias de la Asociación Americana de Gas, 1515 Wilson Blvd, Arlington, VA 22209.
4. NO coloque el aparato cerca de líquidos, gases, u objetos inflamables o explosivos.
5. No deberían poner en funcionamiento este equipo las personas con discapacidades fisiológicas, perceptuales o mentales ni las personas con experiencia o conocimiento insuficiente (incluyendo los niños) Las personas mencionadas anteriormente pueden poner el aparato en funcionamiento para algunas actividades particulares solo si existe supervisión y garantías suficientes para su seguridad personal así como indicaciones y orientación adecuadas.
6. Mantenga el dispositivo lejos del alcance de los niños.
7. Guarde este manual en un lugar seguro y de fácil acceso. Los manuales deben entregarse junto con el dispositivo cuando se lo transfiere o se lo vende a un tercero. Todos los usuarios deben operar el dispositivo de acuerdo con el manual del usuario y las guías de seguridad relacionadas.
8. Si se coloca el aparato cerca de paredes, tabiques o muebles de la cocina, entre otros, se recomienda que estas instalaciones estén hechas de material no combustible. De no ser así, deben cubrirse con material no combustible resistente al calor y debe prestarse atención a las normas para la prevención de incendios.
9. El aparato debe instalarse en un área bien ventilada con instalaciones de evacuación para asegurar que todos los gases producidos se ventilen correctamente.
10. El aparato solo debe utilizarse con válvulas reguladoras de gas de baja presión. El uso de otras válvulas reguladoras puede provocar pérdidas y accidentes graves.
11. No encienda el dispositivo si está vacío.
12. Advertencia contra incendios: Si huele a gas, manténgase alejado del fuego. NO encienda ningún dispositivo ni toque el interruptor electrónico. NO utilice ningún teléfono en el edificio. Cierre inmediatamente la válvula principal de gas y llame a un técnico de servicio profesional para que le haga mantenimiento a la unidad. La operación incorrecta o inadecuada del aparato puede provocar fugas de gas o deflagraciones. El fabricante no asumirá ninguna responsabilidad por incendios accidentales ocasionados por operaciones o mantenimiento inadecuado.
13. Un personal profesional o personas calificadas deberían realizar la instalación y el mantenimiento la primera vez que se emplea el artículo.
14. Mantenga el aparato en buen estado y quite el embalaje externo. Si tiene alguna pregunta, llame al especialista y deje de utilizar el aparato. Mantenga el material de embalaje fuera del alcance de los niños. (Ya que los materiales son bolsas plásticas, clavos, etc.)

15. Puede tardar un poco más en encender cuando lo utilice por primera vez debido al aire presente en la nueva tubería. Oprima el botón de encendido si no responde y vuelva a encender 3 minutos más tarde para evitar una deflagración.
16. Apague el dispositivo cuando no esté en uso para evitar peligros.
17. Este producto es una máquina de uso comercial que deben operar cocineros capacitados y no está diseñada para su doméstico.
18. Es solamente para uso profesional y no para otros fines.
19. NO desmonte ni modifique usted mismo el dispositivo. Cualquier modificación puede ocasionar accidentes graves.
20. NO golpetee el producto ni le coloque objetos pesados encima. El funcionamiento anómalo puede causar daños y crear situaciones de peligro.
21. NO coloque ningún objeto dentro del respiradero del calentador. Hacerlo puede obstruir el conducto de gas y causar daños.
22. Las altas temperaturas pueden causar quemaduras. NO toque la superficie del aparato directamente con las manos debido a las altas temperaturas durante o después de la operación.
23. NO dañe el panel de control con objetos duros o afilados.
24. NO rocíe agua directamente sobre el aparato. Limpie la superficie de acero inoxidable regularmente para evitar daños causados por el óxido y las reacciones químicas.

**LEA Y SIGA CUIDADOSAMENTE
ESTA INFORMACIÓN DE SEGURIDAD
GUARDE ESTAS INSTRUCCIONES**

ESPECIFICACIONES

Figura 1



Modelo	Dimensiones (al. x lar. x an.)	Alimentación térmica (KW/BTU)	Quemadores	Peso neto
MCCTG24 / MCCMG24 MCCTG24-P / MCCMG24-P	17" x 24" x 31" 432 x 610 x 787 (mm)	17.6/60000	2	205 lbs. (93 kg)
MCCTG36 / MCCMG36 MCCTG36-P / MCCMG36-P	17" x 36" x 31" 432 x 910 x 787 (mm)	26.4/90000	3	309 lbs. (140 kg)
MCCTG48 / MCCMG48 MCCTG48-P / MCCMG48-P	17" x 48" x 31" 432 x 1210 x 787 (mm)	35.2/120000	4	418.9 lbs. (190 kg)

INSTRUCCIONES DE INSTALACIÓN

TRANSPORTE Y ALMACENAMIENTO

Durante el transporte, el equipo de cocina debe ser manejado cuidadosamente. NO lo coloque boca abajo. El equipo debe ser almacenado en un depósito bien ventilado sin gas corrosivo. Si tiene que dejar el equipo en el exterior temporalmente, asegúrese de que no entre en contacto con la lluvia.

AVISO PARA LA INSTALACIÓN

1. La instalación deberían realizarla técnicos profesionales.
2. La conexión del dispositivo debe ajustarse a las disposiciones de seguridad, instalación y uso del gas.
3. El dispositivo puede utilizarse solo cuando se hayan instalado correctamente las cuatro patas.
4. El aparato debe tener un espacio mínimo de 0 "(0 cm) de sustancias no combustibles (por ejemplo, paredes, ventanas, etc.) y de 6" - 8 "(15-20 cm) de materiales combustibles.
5. Este aparato debe instalarse sobre una superficie estable, nivelada e incombustible (por ejemplo, cemento, baldosas de cerámica, terrazo o superficie metálica). Verifique los requerimientos de las normativas locales. La norma de seguridad sobre los requerimientos para las superficies no combustibles no consiente colocar metal o baldosas de cerámicas sobre el material combustible. Deje un espacio adecuado para el ducto de ventilación en el gabinete a fin de que el aparato se mantenga alejado de la superficie combustible cercana.
6. La posición de montaje debería suministrar suficiente aire de compensación durante la combustión normal y la instalación no debería obstruir el flujo ni la ventilación del quemador.
7. Preste atención especial a evitar operaciones que interfieran con el funcionamiento del dispositivo, p. ej. su necesidad de ventilación y aire, si usa la campana de extracción.
8. Después de la instalación, nivele el dispositivo y manténgalo estable. NO mueva ni incline el dispositivo durante la operación.
9. NO use como combustible algún gas que sea inapropiado para este dispositivo, NO use válvulas reguladoras de presión alta o media. Solo puede operarse este dispositivo con una válvula reguladora de baja presión.
10. Se debería instalar una válvula de gas de acción rápida, de manera ascendente y de fácil acceso antes de la instalación del dispositivo.
11. Asegúrese de que el gas que se suministra a la unidad sea el mismo con el que debe funcionar el dispositivo. Detenga el uso en caso contrario.
12. Cubra con un poco de sellador de tubería destinada para gasoductos en todas las uniones de la tubería. El sellador utilizado debe tener durabilidad para la acción del gas.
13. Si la presión de paso del gas es 10% mayor o menor que la presión nominal, instale un regulador de presión para ajustar la presión del gas hasta una posición intermedia.
14. La instalación desde el extremo de salida del medidor de flujo de gas o del regulador de servicio al tubo de gas del dispositivo debe ser realizada por técnicos profesionales y personal capacitado. También deben probar primero el equipo de cocina y hacer cualquier ajuste necesario.
15. NO obstruya la ventilación requerida ni interfiera con ella durante el funcionamiento normal del aparato.
16. Después de conectar el aparato al sistema de gas, verifique que no haya fugas en las uniones de la tubería; para ello, utilice agua jabonosa o un detector de fugas específico (aerosol).

INSTALACIÓN

1. Compruebe el tipo de gas y la presión para asegurarse de que se ajustan a los marcados en la etiqueta de clasificación. Si se conecta un tipo o una presión de gas incorrecto, puede verse afectado el funcionamiento del dispositivo y crearse peligros de seguridad.
2. Coloque el aparato en una posición de uso definitivo antes de instalar la tubería del gas. Ajuste la altura del aparato sobre las 4 patas niveladoras. Use un nivel de agua para asegurarse de que el dispositivo está nivelado. Verifique nuevamente que el aparato esté nivelado antes de instalar la tubería de gas.
3. De acuerdo con las normas de requisitos locales y la estricta recomendación del fabricante, puede ser necesaria una válvula de cierre de paso entre la tubería de suministro de gas y el regulador de presión de gas. El personal de instalación de gas debe evaluar si la instalación de una válvula de cierre de gas tiene algún requisito local.

INSTRUCCIONES DE FUNCIONAMIENTO

PLANCHA TÉRMICA

Lea cuidadosamente el Manual del Usuario antes de poner en funcionamiento. Detenga el uso si el aparato cayó en el agua y llame a los técnicos para revisar y reparar o reemplazar todos los componentes afectados. Asegúrese antes de usar el aparato de que el quemador principal, el quemador de la luz del piloto y el receptor de aceite estén instalados correctamente.

1. Asegúrese de que no huelga a gas cerca del dispositivo antes de encender la luz del piloto. La luz del piloto puede tardar un poco más en encenderse cuando lo utilice por primera vez o tras haber cerrado el paso del gas debido al aire presente en la tubería o la limpieza del tubo de entrada.
2. Encienda la válvula de control del piloto girándolo en sentido contrario a las agujas del reloj y prenda la llama del piloto con un encendedor.
3. Gire las perillas de control del quemador en sentido contrario a las agujas del reloj para encender la válvula del quemador principal. Seleccione la temperatura de su preferencia. Pueden seleccionarse temperaturas entre 150 °F a 450 °F. Cada aumento de temperatura es de 5 °F.
4. Gire las perillas de control del quemador en sentido contrario a las agujas del reloj para apagar el quemador principal cuando termine su labor.

▲ NOTA: Las perillas para controlar los quemadores solo funcionan manualmente. NO las gire con herramientas. No las gire ni las repare a la fuerza si no puede moverlas manualmente. La fuerza bruta o el mantenimiento inadecuado pueden producir un incendio o una explosión.

PLANCHA MANUAL

Lea cuidadosamente el Manual del Usuario antes de poner en funcionamiento. Detenga el uso si el aparato cayó en el agua y llame a los técnicos para revisar y reparar o reemplazar todos los componentes afectados. Asegúrese antes de usar el aparato de que el quemador principal, el quemador de la luz del piloto y el receptor de aceite estén instalados correctamente.

1. Asegúrese de que no huelga a gas cerca del dispositivo antes de encender la luz del piloto. La luz del piloto puede tardar un poco más en encenderse cuando lo utilice por primera vez o tras haber cerrado el paso del gas debido al aire presente en la tubería o la limpieza del tubo de entrada.
2. Encienda la válvula de control del piloto girándolo en sentido contrario a las agujas del reloj y prenda la llama del piloto con un encendedor.
3. Gire las perillas de control del quemador en sentido contrario a las agujas del reloj para encender la válvula del quemador principal. El quemador principal tiene su apertura máxima en un ángulo de 90°. La intensidad del fuego puede ajustarse girando la válvula según lo que requiera la comida.
4. Gire en un ángulo de 90° las perillas de control del quemador, en sentido contrario a las agujas del reloj, para apagar el quemador principal cuando termine su labor. Cierre el paso del gas cuando haya terminado.

▲ NOTA: Las perillas para controlar los quemadores solo funcionan manualmente. NO las gire con herramientas. No las gire ni las repare a la fuerza si no puede moverlas manualmente. La fuerza bruta o el mantenimiento inadecuado pueden producir un incendio o una explosión.

▲ NOTA: Puede haber un poco de humo en el arranque inicial como resultado de la quemadura de recubrimientos de prevención de óxido. Esto es normal. Deje que se queme por lo menos 15 minutos antes de usar el aparato por primera vez.

INSPECCIÓN DIARIA

Los implementos de cocina deben revisarse diariamente para evitar accidentes graves. Detenga el uso si siente que hay algún problema con el circuito o el aparato. Verifique la condición del aparato antes o después de su uso diario. Asegúrese de que el implemento de cocina no está torcido y de que el panel de control está intacto antes del uso. Asegúrese durante el uso de que no haya olores extraños, luz de fondo, llamaradas o sonidos vibratorios y que la candela del quemador sea normal.

CUIDADO Y MANTENIMIENTO

1. Limpie la plancha y vacíe regularmente la bandeja de aceite (se recomienda hacerlo dos veces al día).
2. Limpie con un paño o esponja limpio y húmedo con agua jabonosa tibia, luego use un paño seco para secar completamente. Para lavarlo, no rocíe agua directamente sobre el dispositivo.
3. No use detergentes fuertes, juncos ni raspadores para limpiar la superficie de acero inoxidable pues así puede oxidarlo. No use productos con cloro (blanqueador, ácido clorhídrico, etc.) incluso diluidos. Limpie la superficie siguiendo el sentido de la textura.
4. No modifique el volumen de aire requerido para la combustión.
5. Despéguelo de la fuente de gas cuando no esté en uso.
6. Un técnico de servicio debería inspeccionar completamente el dispositivo al menos una vez al año.
7. El dispositivo está hecho en 90% de metales que pueden reciclarse si se los elimina adecuadamente en un centro certificado de tratamiento o reciclaje de conformidad con las normas de cualquier localidad o estado.

SOLUCIÓN DE PROBLEMAS

Los problemas mencionados a continuación son solo para referencia. Si ocurre algún fallo, deje de usar el aparato y comuníquese con un técnico profesional para que lo revise y repare. ¡La seguridad ante todo! Por favor interrumpa el suministro de electricidad y el paso del gas antes de realizar el mantenimiento.

Problema	Causas posibles	Soluciones
El quemador del piloto no se enciende	La presión del conducto de aire es demasiado baja.	Regule las válvulas de presión.
	La boquilla principal está bloqueada.	Limpie la boquilla principal del piloto.
	La válvula de gas funciona mal.	Reemplace la válvula reguladora de gas del piloto.
El piloto se enciende pero los quemadores principales no funcionan.	La presión del conducto de aire es demasiado baja.	Regule las válvulas de liberación de presión del gas.
	La boquilla principal está obstruida.	Limpie la boquilla principal.
	La válvula de gas funciona mal.	Reemplace la válvula reguladora de gas del piloto.
Se produce un sonido cuando se interrumpe el paso de gas.	El diámetro del orificio de la boquilla no corresponde con el tubo de gas.	Regule el diámetro de la boquilla.
	La presión de la fuente de gas está en un nivel bajo.	Regule las válvulas de liberación de presión del gas o comuníquese con el departamento de suministro de gas.
	El flujo de entrada del tubo conector es demasiado bajo.	Aumente el volumen de entrada permisible.
Hay llamas amarillas y humo negro.	El diámetro del orificio de la boquilla no corresponde con el tubo de gas.	Regule el diámetro de la boquilla.
	La bombona de gas está casi vacía.	Reemplace la fuente de gas.
	La composición del gas fluctúa en el punto máximo de funcionamiento.	Regule el volumen de entrada hasta una posición relativamente más pequeña y vuelva a ajustarlo al nivel normal cuando pase el punto máximo del gas.
	No entra suficiente aire en el regulador.	Suba el regulador.



GARANTÍA LIMITADA

MC Appliance Corporation garantiza que cada plancha térmica/manual nueva carece de defectos en los materiales y en la mano de obra, y conviene en remediar cualquier defecto o proporcionar la(s) pieza(s) nueva(s), por cualquier/cualesquiera pieza(s) de la unidad que haya(n) fallado durante el período de garantía, a discreción de la compañía. Las piezas y los gastos de mano de obra están cubiertos en esta unidad por un período de un año a partir de la fecha de compra. Es necesario presentar una copia del recibo o de la factura de venta fechado para recibir el servicio de garantía, el reemplazo o el reembolso.

El consumidor asume todos los gastos de traslado para devolver la unidad a nuestra fábrica antes de obtener un reemplazo o un reembolso, en caso de que deba sustituirse la unidad o efectuarse un reembolso de conformidad con los términos de esta garantía. Es necesario presentar una copia del recibo o de la factura de venta fechado, para recibir servicio de garantía, reemplazo o reembolso. El reembolso o el reemplazo se efectuará a discreción de MC Appliance Corporation.

Esta garantía cubre los aparatos en uso dentro de los Estados Unidos contiguos, Alaska, Hawái y Puerto Rico. Esta garantía no cubre lo siguiente:

- Daños debido a daños sufridos durante el envío o por instalación incorrecta.
- Daños debidos a uso incorrecto o abuso.
- Pérdidas de contenido debido a fallas de la unidad.
- Componentes internos como platos giratorios, cilindros guías, bombillos, etc.
- Reparaciones llevadas a cabo por agentes de servicio no autorizados.
- Llamadas de servicio que no implican defectos en material y mano de obra tales como instrucciones sobre el uso correcto del producto o instalación incorrecta.
- Reemplazo o reajuste de los fusibles de la casa o los interruptores.
- Falla de este producto si se usa para fines distintos para los que fue diseñado.
- Costos de eliminación de cualquier unidad defectuosa no devuelta a nuestra fábrica.
- Ninguno de los costos de entrega / instalación incurridos como resultado de una unidad que no funcione según las especificaciones.
- Gastos de viaje y transporte para obtener servicio para el producto si su aparato está ubicado en una zona remota donde el servicio por parte de un técnico de servicio autorizado no está disponible.
- El retiro y la nueva instalación de su aparato si está instalado en una ubicación inaccesible o no fue instalado de acuerdo con las instrucciones de instalación publicadas.
- Reembolsos para los productos que no son reparables están limitados al precio pagado por la unidad conforme a la factura de venta.
- Esta garantía es intransferible. Esta garantía aplica sólo al comprador original y no se extiende a cualquier propietario o propietarios subsecuentes.

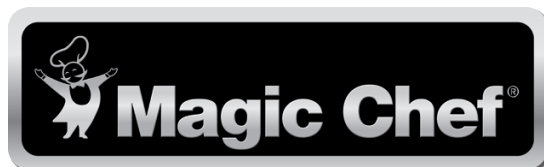
LIMITACIONES A LOS REMEDIOS Y EXCLUSIONES:

La reparación del producto de acuerdo con los términos aquí indicados, es su único y exclusivo remedio bajo esta garantía limitada. Cualquiera y todas las garantías implícitas incluyendo la comerciabilidad y la adecuación a un propósito particular están limitadas por medio de la presente a un año o al período más corto permitido por la ley. MC Appliance Corporation no se responsabiliza por daños incidentales o emergentes y ningún representante ni persona está autorizada a asumir de nuestra parte ninguna otra responsabilidad en relación con la venta de este producto. Bajo ninguna circunstancia se le permite al consumidor devolver esta unidad a la fábrica sin la autorización previa por escrito de MC Appliance Corporation.

Algunos estados prohíben la exclusión o limitación de los daños incidentales o consecuenciales, o limitaciones en las garantías implícitas. Esta garantía le otorga derechos legales específicos, y usted podría tener otros derechos que varían según el estado.

Modelo	Partes y mano de obra	Tipo de servicio
MCCTG24/MCCTG24-P/MCCMG24/MCCMG24-P	Un año	Servicio localizado
MCCTG36/MCCTG36-P/MCCMG36/MCCMG36-P	Un año	Servicio localizado
MCCTG48/MCCTG48-P/MCCMG48/MCCMG48-P	Un año	Servicio localizado

Para Servicio o Asistencia por favor llame al 888-775-0202 o visítenos en el sitio web en www.mcappliance.com para solicitar servicio de garantía u ordenar partes.



**CNA International, Inc., opera bajo el nombre comercial de MC Appliance Corporation.
Todos los derechos reservados.**

El logo de Magic Chef® es una marca registrada de CNA International, Inc.

www.mcappliance.com

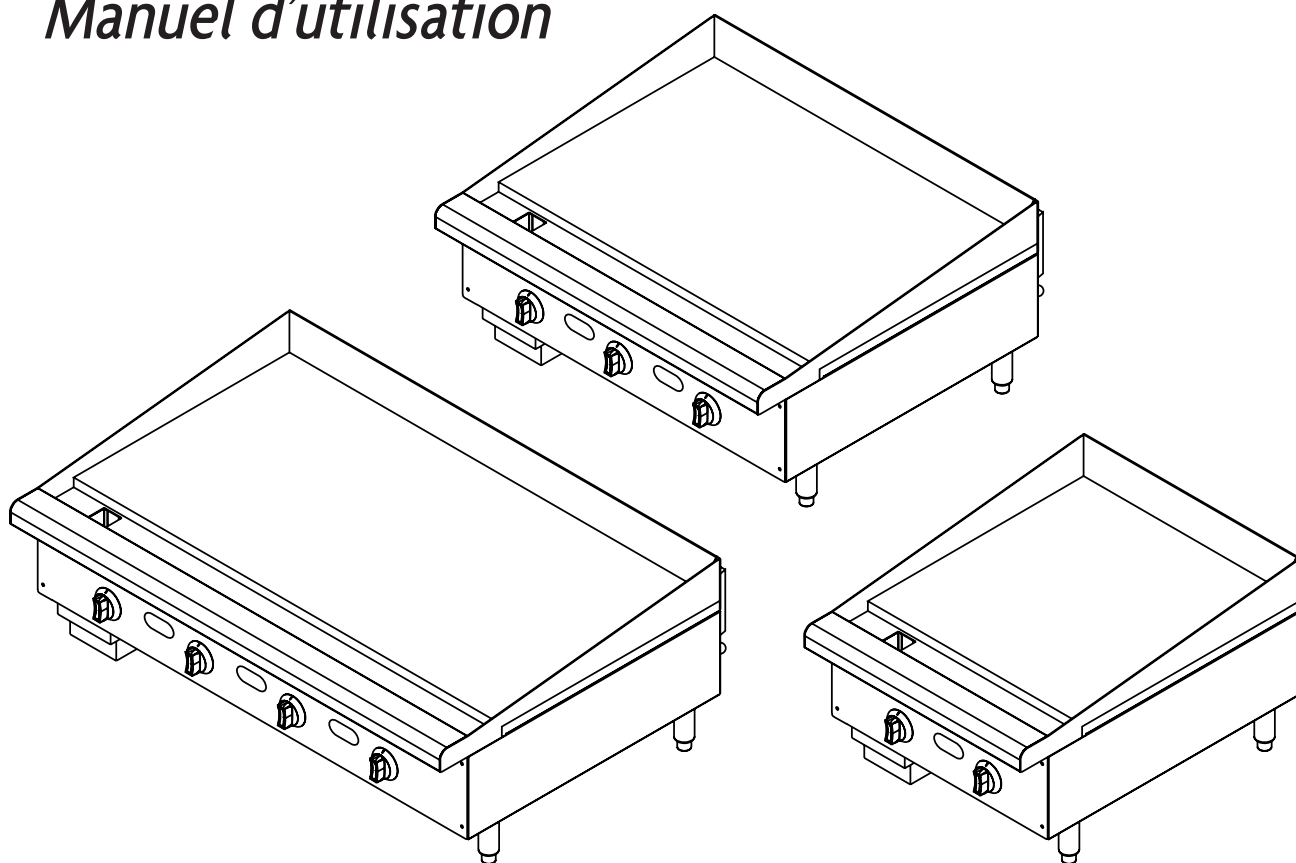
Impreso en China



Magic Chef[®]
C O M M E R C I A L

Gril thermo/manuel

Manuel d'utilisation



Modèle MCCTG24 / MCCTG24-P / MCCTG36 / MCCTG36-P / MCCTG48 / MCCTG48-P
MCCMG24 / MCCMG24-P / MCCMG36 / MCCMG36-P / MCCMG48 / MCCMG48-P

**VEILLEZ LIRE ATTENTIVEMENT CE MANUEL AVANT D'UTILISER VOTRE GRIL
THERMO/MANUEL ET CONSERVEZ-LE POUR RÉFÉRENCE FUTURE.**



ENREGISTREMENT DU PRODUIT

Merci d'avoir acheté un produit commercial Magic Chef®. La première étape pour protéger votre produit est de remplir l'enregistrement de votre produit sur notre site web à www.mcappliance.com/register. Les avantages d'enregistrer votre produit sont les suivants:

1. Enregistrer votre produit vous permet de nous contacter par rapport aux avertissements de sécurité et aux mises à jour sur le produit.
2. Enregistrer votre produit permettra un traitement plus efficace de l'entretien sous garantie lorsqu'un entretien est nécessaire.
3. Enregistrer votre produit pourrait être utilisé comme preuve d'achat dans le cas d'une réclamation d'assurance.

Merci encore d'avoir acheté un produit commercial Magic Chef®.

CONTENU

ENREGISTREMENT DU PRODUIT	30
PRÉCAUTIONS	32
INSTRUCTIONS IMPORTANTES DE SÉCURITÉ	33
SPÉCIFICATIONS.....	35
INSTRUCTIONS D'INSTALLATION	36
INSTRUCTIONS D'UTILISATION	38
SOIN ET ENTRETIEN	39
DÉPANNAGE	40
GARANTIE LIMITÉE	41

PRÉCAUTIONS

EXPLICATIONS DES SYMBOLES

▲ AVERTISSEMENT

Des conduites dangereuses qui POURRAIENT occasionner des blessures corporelles ou la mort.

▲ ATTENTION

Des conduites dangereuses qui POURRAIENT occasionner des blessures corporelles mineures ou des dommages matériels.

▲ AVERTISSEMENT : Lisez et comprenez toutes les précautions de sécurité. Ne pas suivre les instructions décrites dans ce manuel de l'utilisateur peut occasionner des décharges électriques, feux et/ou des dommages corporels. Les avertissements, attentions et instructions dans ce manuel d'utilisation ne peuvent pas couvrir toutes les situations et conditions possibles.

▲ AVERTISSEMENT : Si l'information de ce manuel n'est pas respectée, un feu ou une explosion pourrait occasionner des dommages matériels, corporels ou même la mort. NE PAS entreposer ou utiliser de l'essence ou d'autres vapeurs inflammables près de cet ou d'un autre appareil.

▲ AVERTISSEMENT : Fuite de gaz

- Les fuites de gaz ne peuvent pas toujours être détectées à l'odeur.
- Les fournisseurs recommandent d'utiliser un détecteur de gaz approuvé par UL ou CSA.
- Pour plus d'informations, contactez votre fournisseur de gaz.
- Si une fuite de gaz est détectée, suivez les instructions de la section ci-dessous «Quoi faire si vous sentez du gaz».

▲ AVERTISSEMENT : Quoi faire si vous sentez du gaz

- NE PAS essayer d'allumer l'appareil.
- NE PAS toucher un bouton électrique.
- NE PAS utiliser de téléphones à la maison.
- Appeler immédiatement votre fournisseur de gaz avec un téléphone à l'extérieur de l'immeuble. (P.e: Allez chez le voisin pour appeler votre fournisseur de gaz ou les pompiers.)
- Si vous n'arrivez pas à rejoindre votre fournisseur de gaz, appelez les pompiers.
- L'installation et l'entretien doivent être faits par un technicien qualifié ou une agence d'entretien.

INSTRUCTIONS IMPORTANTES DE SÉCURITÉ

▲ AVERTISSEMENT : Lorsque vous utilisez des appareils au gaz, des instructions de sécurité de base devraient être respectées, incluant les suivantes.

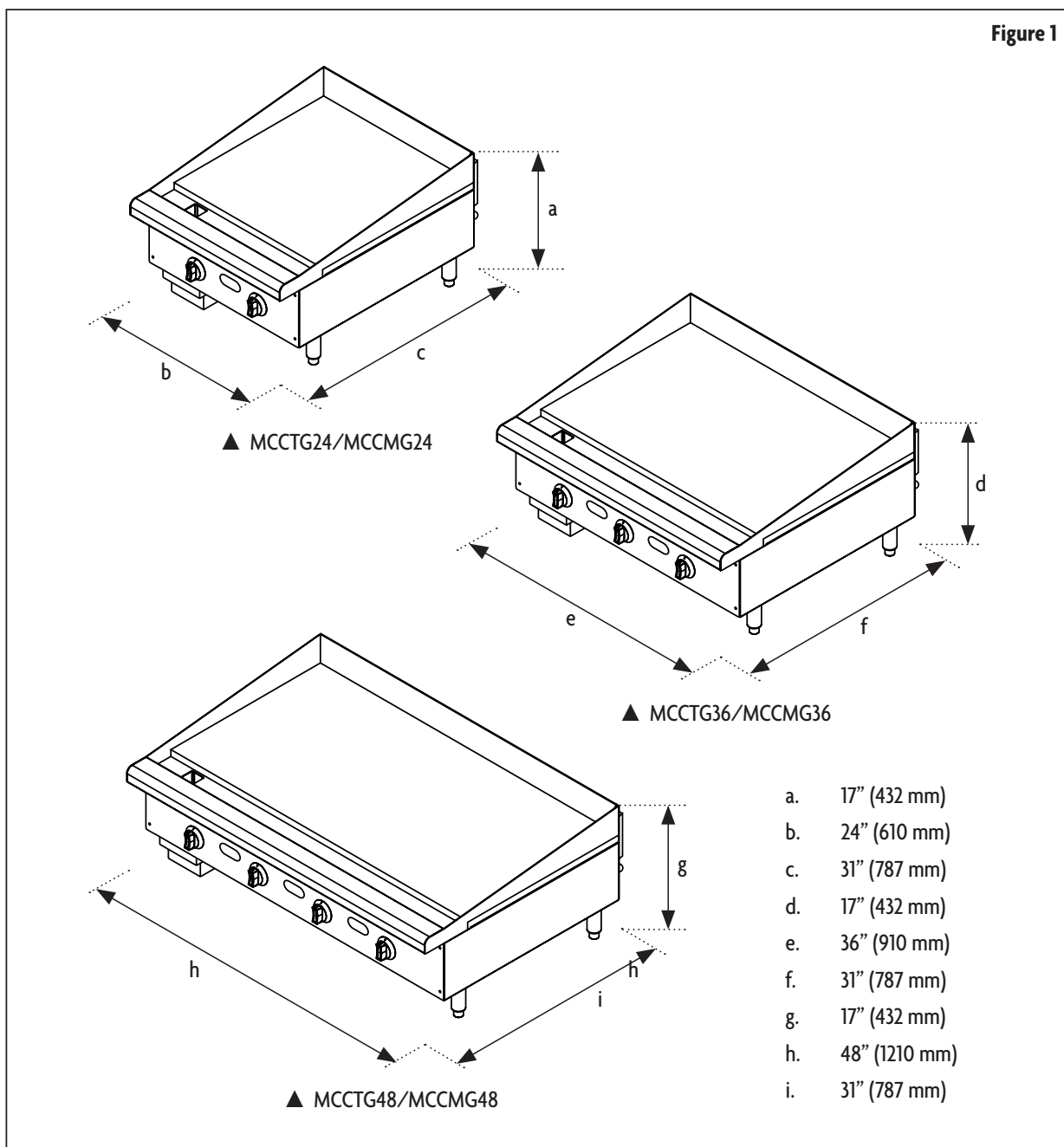
1. Lisez toutes les instructions avant d'utiliser l'appareil.
2. Toutes modification, mauvaise installation, ajustement ou entretien faits par le client peut occasionner des dommages à la propriété ou des dommages. Veuillez contacter votre fabricant pour tout ajustement ou de l'entretien et faites faire le travail par du personnel qualifié.
3. Ce gril devrait être utilisée selon l'article ANSI Z223.1/NFPA 54 (la dernière édition) du code national du gaz, le code national d'installation du gaz, article CSA/B149.1 ou le code d'installation du propane lorsqu'applicable. Des copies peuvent être obtenues de l'association américaine du gaz au 1515 Wilson Blvd, Arlington, VA 22209.
4. NE PAS placer le gril à côté d'un liquide, gaz ou tout autre objet inflammable ou explosif.
5. Cet appareil ne devrait pas être utilisé de gens avec des limitations physiologiques, perceptives ou mentales ou ceux qui n'ont pas assez d'expériences ou de connaissances (incluant les enfants). Avec un niveau suffisant de supervision et de garantie de sécurité personnelle, en plus des bonnes instructions et aides, les personnes mentionnées ci-dessus peuvent effectuer certaines opérations particulières sur l'appareil.
6. Gardez les enfants loin de cet appareil.
7. Gardez ce manuel en sécurité et dans un endroit accessible. Lorsque vous léguez/vendez cet appareil à une autre partie, ces manuels devraient accompagner l'appareil. Tous les utilisateurs doivent utiliser l'appareil selon le manuel de l'utilisateur et les directives de sécurité associées.
8. Si l'appareil est placé près d'un mur, d'une partition ou d'appareils de cuisine et ainsi de suite, il est préférable que ces lieux soient en matériaux ininflammables, dans le cas contraire recouvrez-les de matériaux ininflammables et résistants à la chaleur et faites attention à la réglementation de prévention des incendies.
9. Cet appareil devrait être installé dans un endroit bien aéré avec une sortie d'air, ce qui peut assurer que tous les gaz brûlés pendant la combustion sont évacués.
10. Cet appareil ne s'utilise qu'avec des valves de contrôle de gaz à basse pression. Il est possible que d'autres types de valves de contrôle occasionnent des pertes ou des blessures.
11. Ne pas brûler l'appareil s'il est vide.
12. Avertissement de feu: Si vous sentez du gaz, veuillez vous éloigner du feu. Ne pas allumer d'appareil ou d'interrupteur électriques. NE PAS utiliser de téléphone dans l'immeuble. Fermez la valve principale de gaz et appelez immédiatement un professionnel pour en faire l'entretien. Utiliser l'appareil de force ou un mauvais entretien peut causer de grandes fuites de gaz ou des déflagrations facilement. Le fabricant ne sera pas responsable des feux accidentels causés par une mauvaise utilisation ou entretien.
13. Lors de la première utilisation, l'installation et l'entretien devrait être ait par un professionnel qualifié.
14. Veuillez maintenir l'intégrité de l'appareil et enlevez l'emballage extérieur. Si vous avez des questions, appelez un spécialiste et arrêtez d'utiliser l'appareil. Gardez le matériel d'emballage hors de portée des enfants. (parce que le matériel est composé de sacs de plastiques, de clous, etc.)
15. Lors de la première utilisation, l'allumage peut être un peu plus long puisque l'air quitte le nouveau tuyau. Si l'appareil ne s'allume pas, éteignez le bouton d'allumage et recommencez 3 minutes plus tard pour éviter toute déflagration.
16. Pour éviter les dangers, veuillez éteindre l'appareil lorsqu'il n'est pas utilisé.
17. Ce produit est un appareil commercial qui nécessite une utilisation par un cuisinier formé et n'est pas conçu pour une utilisation domestique.

18. Cet appareil est uniquement pour une utilisation commerciale et ne devrait pas être utilisé d'aucune autre manière.
19. NE PAS désassembler ou modifier soi-même l'appareil. Désassembler ou modifier soi-même l'appareil pour causer des blessures.
20. NE PAS frapper l'appareil ou placer d'objets lourds sur l'appareil. Une utilisation anormale peut occasionner des dommages et des dangers
21. NE PAS mettre d'objets dans le conduit d'évacuation. Ce qui peut bloquer le flux de gaz et causer des blessures.
22. Des températures élevées peuvent occasionner des brûlures. NE PAS toucher directement la surface avec les mains à cause de la température élevée pendant ou après l'utilisation.
23. NE PAS détruire le panneau de commande avec des objets lourds ou pointus.
24. NE PAS asperger de l'eau directement sur l'appareil. Nettoyez régulièrement la surface en acier inoxydable pour éviter les dommages causés par une oxydation de surface et des réactions chimiques.

**LISEZ ET SUIVEZ ATTENTIVEMENT
CES INFORMATIONS DE SÉCURITÉ
CONSERVEZ CES INSTRUCTIONS**

SPÉCIFICATIONS

Figure 1



Modèle	Dimensions (H x L x l)	Puissance thermique (KW/BTU)	Bruleurs	Poids net
MCCTG24 / MCCMG24 MCCTG24-P / MCCMG24-P	17" x 24" x 31" 432 x 610 x 787 (mm)	17.6/60000	2	205 lbs. (93 kg)
MCCTG36 / MCCMG36 MCCTG36-P / MCCMG36-P	17" x 36" x 31" 432 x 910 x 787 (mm)	26.4/90000	3	309 lbs. (140 kg)
MCCTG48 / MCCMG48 MCCTG48-P / MCCMG48-P	17" x 48" x 31" 432 x 1210 x 787 (mm)	35.2/120000	4	418.9 lbs. (190 kg)

INSTRUCTIONS D'INSTALLATION

TRANSPORTATION ET ENTREPOSAGE

Pendant le transport, l'équipement de cuisson devrait être manipulé avec soin. NE PAS placer à l'envers. L'équipement devrait être entreposé dans un entrepôt bien aéré sans gaz corrosifs. S'il doit être entreposé temporairement à l'extérieur, assurez-vous qu'il n'entre pas en contact avec la pluie.

AVIS D'INSTALLATION

1. L'installation devrait être faite par des professionnels certifiés.
2. Le branchement à l'appareil devrait être conforme aux exigences de sécurité, d'installation et d'utilisation de gaz.
3. Cet appareil ne peut être utilisé que lorsque les quatre pattes sont installées correctement.
4. L'appareil doit avoir une distance minimale de 0 «(0 cm) à partir d'une substance non combustible (par exemple, des murs, des fenêtres, etc.) et de 15 à 20 cm (6» à 8 «) à partir de matériaux combustibles.
5. Cet appareil devrait être installé sur une surface stable, au niveau et ininflammable (p.e: du ciment, des tuiles de céramiques, du terrazzo ou une surface de métal). Vérifiez les exigences de la réglementation locale. Placer une plaque de métal ou des tuiles de céramiques sur un matériel inflammable ne le rend pas conforme aux exigences en matière de surfaces ininflammables. Veillez laisser un espace adéquat pour la bouche de ventilation dans l'appareil pour éloigner l'appareil des surfaces inflammables à proximité.
6. La position debout devrait offrir assez d'air pour une combustion et une utilisation normale et ne devrait pas bloquer la ventilation ou le flot d'air.
7. Si le ventilateur est utilisé, portez une attention particulière pour éviter les interférences d'utilisation avec l'appareil, p.e. la ventilation et la demande en air de l'appareil.
8. Après l'installation, mettez l'appareil à niveau et maintenez-le stable. NE PAS déplacer ou pencher l'appareil pendant son utilisation.
9. NE PAS utiliser un gaz qui ne s'utilise pas avec cet appareil en tant que carburant, NE PAS utiliser de valves de contrôle à haute et basse pression. L'appareil ne peut être utilisé qu'avec une valve de basse pression.
10. Une valve d'alimentation rapide de gaz devrait être installée en amont de l'appareil et à portée de main avant l'installation de l'appareil.
11. Assurez-vous que le gaz utilisé est le même que celui que l'appareil utilise. Sinon, arrêtez de l'utiliser.
12. Enduisez les joints de conduits avec un scellant à conduit pour conduites de gaz. Le joint d'étanchéité devrait être résistant au gaz.
13. Si la pression du tuyau est 10% supérieure ou inférieure à la pression calculée, veillez installer un régulateur de pression et ajustée la pression à la valeur désirée.
14. L'installation du débitmètre de gaz ou le régulateur depuis le tuyau jusqu'à l'appareil devrait être fait par un technicien professionnel ou une personne qualifiée. Ils devraient aussi commencer par utiliser l'équipement de cuisson avant de l'ajuster.
15. NE PAS bloquer l'aération de l'appareil ou interférer avec l'aération nécessaire lors de l'utilisation normale des brûleurs.
16. Après avoir branché l'appareil au système de gaz, cherchez la présence de fuites aux joints et aux raccords; pour ce faire, utilisez une solution savonneuse ou un détecteur de fuite (vaporisateur).

INSTALLATION

1. Vérifiez le type de gaz et la pression et assurez-vous qu'ils sont conformes à ce qui est écrit sur la fiche signalétique. Si un autre gaz/pression est branché, la performance de l'appareil pourrait être affectée et aussi créer des dangers.
2. Avant d'installer la conduite du gaz, veuillez installer l'appareil en position d'utilisation. Ajustez la hauteur de l'appareil sur les 4 jambes ajustables avec un niveau pour vous assurer que l'appareil est bien au niveau. Après l'installation de la conduite de gaz, vérifiez de nouveau le niveau de l'appareil.
3. Selon les exigences locales et une forte recommandation du fabricant, une valve d'alimentation en gaz pourrait être nécessaire entre la conduite d'alimentation et le régulateur de pression. L'installateur de gaz devrait savoir s'il existe des exigences locales en matière de valve d'alimentation en gaz.

INSTRUCTIONS D'UTILISATION

GRIL THERMO

Avant l'utilisation veuillez lire attentivement le manuel de l'utilisateur. Si l'appareil est submergé dans l'eau, veuillez arrêter de l'utiliser et appeler le technicien pour qu'il vérifie et répare ou remplace les composantes qui ont été submergées dans l'eau. Avant l'utilisation, assurez que le bruleur principal, le témoin et le bassin d'huile sont correctement installés.

1. Avant d'allumer le témoin, assurez-vous qu'il n'y a pas d'odeur de gaz autour de l'appareil. Lors de la première utilisation ou après avoir coupé l'alimentation en gaz, plusieurs minutes peuvent être nécessaire pour rallumer le témoin à cause de l'air qui quitte la conduite ou le tuyau.
2. Ouvrez la valve d'alimentation du témoin en la tournant dans le sens horaire et allumez le témoin avec un amorceur.
3. Tournez le bouton dans le sens antihoraire pour allumer la valve du bruleur principal. Choisissez la température voulue. La température peut se situer entre 150°F et 450°F, en augmentant par tranche de 5°F.
4. Après l'utilisation, tournez le bouton dans le sens antihoraire pour fermer le bruleur principal.
▲ REMARQUE: Les boutons de commandes des bruleurs ne peuvent être utilisés que manuellement. NE PAS tourner les boutons avec des outils. S'il ne peut être tourné manuellement, ne pas le tourner ou le réparer avec force. La force ou un mauvais entretien peuvent occasionner du feu ou des explosions.

GRIL MANUEL

Avant l'utilisation veuillez lire attentivement le manuel de l'utilisateur. Si l'appareil est submergé dans l'eau, veuillez arrêter de l'utiliser et appeler le technicien pour qu'il vérifie et répare ou remplace les composantes qui ont été submergées dans l'eau. Avant l'utilisation, assurez que le bruleur principal, le témoin et le bassin d'huile sont correctement installés.

1. Avant d'allumer le témoin, assurez-vous qu'il n'y a pas d'odeur de gaz autour de l'appareil. Lors de la première utilisation ou après avoir coupé l'alimentation en gaz, plusieurs minutes peuvent être nécessaire pour rallumer le témoin à cause de l'air qui quitte la conduite ou le tuyau.
2. Ouvrez la valve d'alimentation du témoin en la tournant dans le sens horaire et allumez le témoin avec un amorceur.
3. Tournez le bouton dans le sens antihoraire pour allumer la valve du bruleur principal. Le bruleur principal sera complètement ouvert à un angle de 90°. La puissance du feu est ajustable selon les besoins des aliments en tournant la valve.
4. Après l'utilisation, tournez le bouton de 90° dans le sens horaire pour éteindre le bruleur principal. Après, coupez l'alimentation principale.
▲ REMARQUE: Les boutons de commandes des bruleurs ne peuvent être utilisés que manuellement. NE PAS tourner les boutons avec des outils. S'il ne peut être tourné manuellement, ne pas le tourner ou le réparer avec force. La force ou un mauvais entretien peuvent occasionner du feu ou des explosions.

▲ REMARQUE: Il peut y avoir un peu de fumée lors de la première utilisation résultant de la combustion du revêtement antirouille. C'est normal. Veuillez laisser brûler pendant au moins 15 minutes avant de l'utiliser la première fois.

INSPECTION QUOTIDIENNE

Il est nécessaire de vérifier quotidiennement l'équipement de cuisine pour éviter les accidents majeurs. Arrêtez de l'utiliser si l'utilisateur sent un problème dans un circuit ou dans l'appareil. Vérifiez l'état de l'appareil avant et après chaque journée. Avant l'utilisation, assurez-vous que l'appareil n'est pas incliné et que le panneau de contrôle est intact. Pendant l'utilisation, assurez-vous qu'il n'y a pas d'odeurs étranges, rallumage, des flammes qui s'éteignent ou des sons de vibrations et que le bruleur fonctionne normalement.

SOIN ET ENTRETIEN

1. Nettoyez le gril et les résidus dans le plateau à gras régulièrement (la recommandation est de deux fois par jour).
2. Après chaque jour d'utilisation, nettoyez toutes les surfaces avec un linge mouillé, du savon et de l'eau chaude, essuyez ensuite avec un linge sec propre. Ne pas asperger directement l'appareil avec de l'eau pour le nettoyer.
3. Ne pas utiliser de détergents abrasifs, des brosses ou des grattoirs pour nettoyer les surfaces en acier inoxydable pour éviter de créer de la rouille. Ne pas utiliser de produits au chlore (eau de javel, acide chlorhydrique, etc.), même dilués. Nettoyez la surface dans le sens du grain
4. Ne pas modifier le volume d'air nécessaire pour la combustion.
5. Lorsqu'il n'est pas utilisé, débranchez-le de l'alimentation en gaz.
6. Cet appareil devrait subir une inspection complète une fois par année par un technicien d'entretien.
7. Plus de 90% de cet appareil est fait de métal et peut être recyclé si rapporté dans un centre de traitement ou de recyclage selon les normes locales et provinciales

DÉPANNAGE

Les problèmes mentionnés le sont à titre de référence. Si une défaillance apparaît veuillez arrêter immédiatement l'utilisation et contactez un technicien pour le vérifier et le réparer. La sécurité d'abord! Veuillez couper l'alimentation électrique et de gaz avant d'en faire l'entretien.

Problème	Causes probables	Solutions
Le témoin ne peut être allumé	La pression dans la conduite de gaz est trop basse.	Ajustez la valve de pression.
	La buse du témoin est bouchée.	Nettoyez la buse du témoin.
	La valve de gaz fonctionne mal.	Remplacez la valve d'alimentation du témoin.
Le témoin est allumé, mais les brûleurs ne s'allument pas.	La pression dans la conduite de gaz est trop basse.	Ajustez la valve de pression
	La buse du brûleur principal est bouchée.	Nettoyez la buse du brûleur principal.
	La valve de gaz fonctionne mal.	Remplacez la valve d'alimentation.
Il y a un bruit lorsque l'alimentation en gaz est coupée.	Le diamètre de la buse ne correspond pas à l'alimentation en gaz.	Ajustez le diamètre de la buse.
	La pression en gaz est basse.	Ajustez la valve de pression ou communiquez avec le fournisseur de gaz.
	Le flux du tuyau connecteur est trop bas.	Augmentez le volume permis.
Présence de flamme jaune et de la fumée noire.	Le diamètre de la buse ne correspond pas à l'alimentation en gaz.	Ajustez le diamètre de la buse.
	La bonbonne de gaz est presque vide.	Changez la bonbonne.
	La composition fluctue pendant l'utilisation maximale de gaz.	Réduisez le volume de gaz et réajustez à la normale lorsque le maximum de gaz est terminé.
	Pas assez d'air dans le clapet.	Ouvrez le clapet.



GARANTIE LIMITÉE

MC appliance corporation garantit que toutes les nouveaux Gril Thermo-Manuel ne présentent aucun défaut matériel ou de main-d'oeuvre et accepte de remédier à ces défauts ou de fournir des nouvelles pièce(s), à la discrétion de la compagnie, pour toute pièce(s) de l'appareil qui fait défaut durant la période de garantie. Les pièces et la main-d'oeuvre de cet appareil sont garanties pendant une période d'un an depuis la date d'achat. Une copie avec la date du reçu de vente ou de la facture est nécessaire pour recevoir un remplacement, un remboursement ou la réparation sous garantie.

Dans l'éventualité qu'un appareil nécessite un remplacement ou un remboursement selon les termes de la garantie, le consommateur est responsable de toutes les dépenses de manutention liées au renvoi de l'appareil à l'usine avant de recevoir son appareil de remplacement ou son remboursement. Une copie avec la date du reçu de vente ou de la facture est nécessaire pour recevoir un remplacement, un remboursement ou la réparation sous garantie. Un remboursement ou un remplacement sera émis à la discrétion de MC Appliance Corporation.

Cette garantie s'applique aux appareils utilisés aux États-Unis contigus, Alaska, Hawaii et Puerto Rico. Cette garantie ne s'applique pas aux cas suivants:

- Les dommages causés par la manutention ou une mauvaise installation.
- Les dommages dus à une mauvaise utilisation ou une utilisation abusive.
- La perte de contenu dû à une défaillance de l'appareil.
- Les composants internes comme les plaques tournantes, les guides roulants, les ampoules, etc.
- Les réparations faites par un agent non autorisé.
- Les appels de services qui ne concernent pas les défauts de matériel ou de main-d'oeuvre comme des instructions sur l'installation appropriée de ce produit ou sa mauvaise installation.
- Le remplacement ou le réarmage d'un disjoncteur ou de fusibles.
- La défaillance du produit s'il est utilisé pour d'autres raisons que sa raison de conception.
- Les coûts de récupération de tout appareil défectueux qui n'est pas renvoyé à l'usine.
- Tous les coûts d'installation/de livraison encourus par un appareil qui ne fonctionne pas selon les spécifications.
- Les dépenses de transport ou manutention pour la réparation si votre produit est situé dans une zone éloignée où les services d'un technicien autorisé ne sont pas disponibles.
- Enlever ou réinstaller votre appareil s'il est installé dans un endroit inaccessible ou s'il n'est pas installé selon les instructions d'installation publiées.
- Les remboursements pour les produits non réparables se limitent au prix payé pour l'appareil sur le reçu de vente.
- Cette garantie n'est pas transférable. Cette garantie ne s'applique qu'à propriétaire original et ne s'étend pas au propriétaire(s) subséquent(s).

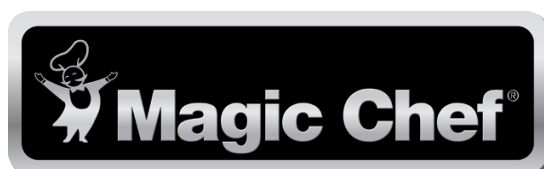
LIMITES DES RECOURS ET EXCLUSIONS

La réparation du produit selon les termes ci-inclus est votre seul recours durant la garantie limitée. Toutes garanties implicites incluant la qualité marchande et la bonne condition pour une utilisation particulière sont, par la présente, limitées à un an ou la plus courte période permise par la loi. MC Appliance Corporation n'est pas responsable des dommages accidentels ou consécutifs et aucun représentant ou personne n'est autorisé à assumer en notre nom toute autre responsabilité en lien avec la vente de ce produit. En aucun cas le consommateur n'est-il autorisé à retourner cet appareil à l'usine sans autorisation préalable de MC Appliance Corporation.

Certains États interdisent les exclusions ou limites sur les dommages accidentaux ou consécutifs ou les limites sur les garanties implicites. Cette garantie vous donne des droits légaux spécifiques et vous pourriez avoir d'autres droits qui peuvent varier d'un État à l'autre.

Modèle	Pièces et main-d'oeuvre	Type de service
MCCTG24/MCCTG24-P/MCCMG24/MCCMG24-P	Un an	Sur place
MCCTG36/MCCTG36-P/MCCMG36/MCCMG36-P	Un an	Sur place
MCCTG48/MCCTG48-P/MCCMG48/MCCMG48-P	Un an	Sur place

Pour de l'aide ou du service, veuillez appelez 1-866-789-0202 ou visitez notre site web au www.mcappliance.com pour demander une réparation sous garantie ou commander des pièces.



**CNA International, Inc. d/b/a MC Appliance Corporation. Tous droits réservés.
Le logotype Magic Chef® est une marque de commerciale de CNA International Inc.**

www.mcappliance.com

Imprimé en Chine