

This Owner's Manual is provided and hosted by [Appliance Factory Parts](#).



MAGIC CHEF MCRAC15KEWM Owner's Manual

[Shop genuine replacement parts for MAGIC CHEF
MCRAC15KEWM](#)



[Find Your MAGIC CHEF Air Conditioner Parts - Select From 21 Models](#)

----- Manual continues below -----

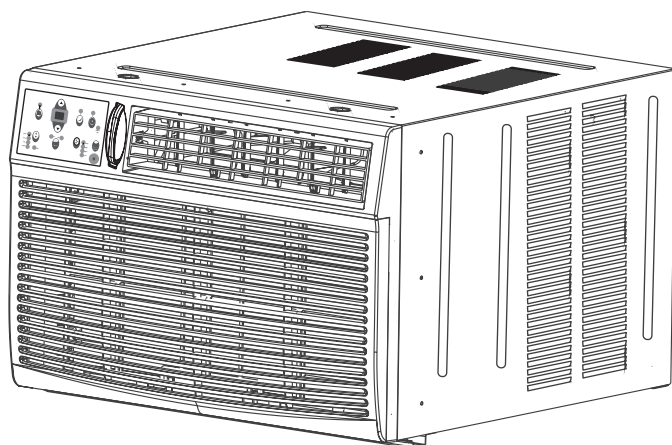
OWNER'S MANUAL

Master Craft®

15100 BTU Window Air Conditioner

NOK69

Please read the entire manual carefully
to ensure proper operation of the product.



PRODUCT REGISTRATION

Thank you for purchasing a Master Craft® product. The first step to protect your new product is to complete the product registration on our website: www.mcappliance.com/register. The benefits of registering your product include the following:

1. Registering your product will allow us to contact you regarding a safety notification or product update.
2. Registering your product will allow for more efficient warranty service processing when warranty service is required.
3. Registering your product could act as your proof of purchase in the event of insurance loss.

Once again, thank you for purchasing our product.

CONTENTS

PRODUCT REGISTRATION.....	2
IMPORTANT SAFETY INSTRUCTIONS.....	4
SPECIFICATIONS.....	6
INSTALLATION INSTRUCTIONS.....	7
OPERATION INSTRUCTIONS.....	15
CARE AND MAINTENANCE.....	21
TROUBLESHOOTING.....	22
LIMITED WARRANTY.....	24

IMPORTANT SAFETY INSTRUCTIONS

EXPLANATION OF SYMBOLS

▲ WARNING: Hazards or unsafe practices which COULD result in severe personal injury or death.

▲ CAUTION: Hazards or unsafe practices which COULD result in minor personal injury or property damage.

IMPORTANT SAFETY INSTRUCTIONS

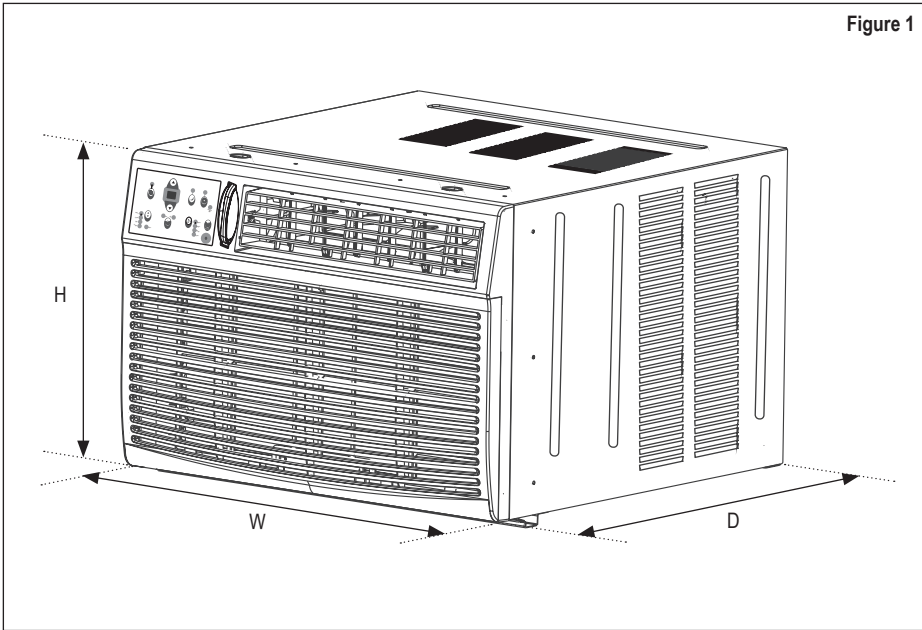
1. Read all instructions before using the appliance.
2. For household use only. DO NOT use for other than the intended purpose.
3. **▲ WARNING:** To prevent injuries or property damage, the following instructions must be followed.
4. This appliance should not be operated, cleaned or maintained by anyone that is not able to follow proper safety procedures or does not have experience with this type of equipment, unless under close supervision.
5. **▲ WARNING:** DO NOT use in an area where it may be exposed to combustible gases or liquids, as this may cause a fire.
6. **▲ CAUTION:** Installation must be performed according to the installation instructions and ALWAYS use the correct tools as specified. Use only accessories and parts included with the appliance. Improper installation can cause water leakage, electrical shock, or fire.
7. Ventilate the room if unit is used near a stove or furnace.
8. DO NOT operate in a wet environment, such as a bathroom or laundry room.
9. DO NOT stand, sit, or place anything on top of the unit.
10. DO NOT let children operate or play on or around the air conditioner. Children should be supervised around the unit at all times.
11. **▲ CAUTION:** The power cord is equipped with a 3-prong grounding plug to protect against shock hazards. ALWAYS plug cord into a dedicated, properly installed and grounded 3-prong wall receptacle. Refer to the manufactures rating label for electrical and other technical data specific to this unit.
12. DO NOT modify or cut the power cord, or use any other cord or plug. If the cord or plug is damaged, DO NOT use. Contact customer service or a qualified service technician for replacement or repair.
13. DO NOT run cord under carpeting, throw rugs, runners, or similar coverings. DO NOT route cord under furniture, appliances, or any heavy object. Place the cord where it will not be tripped over, way from any sources of heat.
14. DO NOT start or stop the unit by turning the power on or off.
15. DO NOT insert or pull out the plug, or operate the unit with wet hands.
16. DO NOT remove the plug by pulling the cord.
17. ALWAYS turn off and unplug the unit when not in use.
18. DO NOT obstruct the unit to ensure proper function and safety.
19. DO NOT insert your finger or other foreign objects into grills or openings.
20. **▲ CAUTION:** ALWAYS turn off and unplug the unit prior to cleaning or maintenance.

21. Contact customer service or an authorized service technician for repair or maintenance of this unit. DO NOT try to take apart or repair the unit by yourself.
22. Turn off and unplug the unit if strange sounds, smells, or smoke come from it.
23. DO NOT open or remove any of the panels of the unit while it is operating or plugged in.
24. If water spills into the unit, turn it off, unplug it, and contact a qualified service technician.
25. DO NOT direct airflow at room occupants, pets, or plants.
26. ALWAYS insert the filters securely. Clean filter once every two weeks, and avoid touching any metal parts of the unit while changing or cleaning.
27. DO NOT disassemble or modify the unit in any way.
28. DO NOT drink water condensation from the unit.
29. Periodically check the installation bracket for damage or wear due to exposure. A damaged bracket could result in the unit falling from the window.

**READ AND FOLLOW THIS
SAFETY INFORMATION CAREFULLY
SAVE THESE INSTRUCTIONS**

SPECIFICATIONS

Figure 1



Model	MCRAC15KEWM
Dimensions (W x D x H)	23.6" x 25.4" x 17.9"
BTU	15,100
Voltage	115V / 60Hz
Watts	1279
Refrigerant Type	R410A
EER	11.8

OPERATING TEMPERATURE RANGE

Outdoor Temperature	64-109°F (18-43°C)
Indoor Temperature	62-90°F (17-32°C)

INSTALLATION INSTRUCTIONS

BEFORE YOU BEGIN

▲ **IMPORTANT:** Save these instructions for local inspectors use.

▲ **IMPORTANT:** Observe all governing codes and ordinances.

▲ **NOTE TO CONSUMER:** Keep these instructions for future reference.

▲ **NOTE TO INSTALLER:** Be sure to leave these instructions with the Consumer.

- Read these instructions completely and carefully.
- Completion Time: Approximately 1 hour
- Skill Level: Installation of this appliance requires basic mechanical skills. We recommend that two people install this product.
- Proper installation is the responsibility of the installer. Product failure due to improper installation is not covered under the Warranty. You **MUST** use all supplied parts and use proper installation procedures as described in these instructions when installing this air conditioner.

PRELIMINARY INSTRUCTIONS

▲ **CAUTION:** DO NOT, under any circumstances, cut or remove the third (ground) prong from the power cord.

▲ **CAUTION:** DO NOT change the plug on the power cord of the air conditioner.

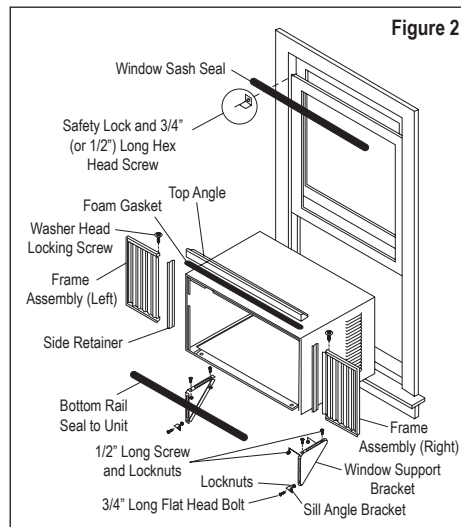
▲ **CAUTION:** Aluminum house wiring may present special problems- consult a qualified electrician.

▲ **CAUTION:** When handling unit, be careful to avoid cuts from sharp metal edges and aluminum fins on front and rear coils.

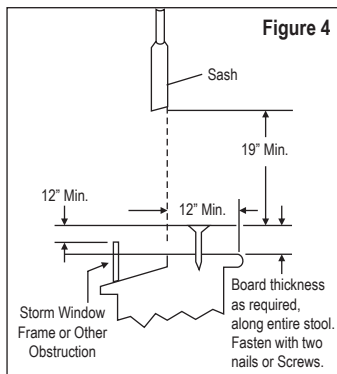
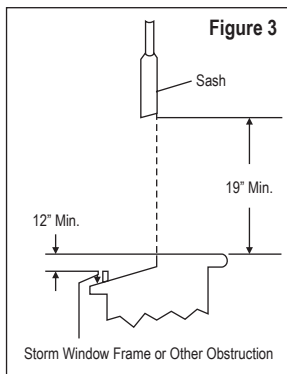
▲ **NOTE:** Save the carton and these Installation Instructions for future reference. The carton is the best way to store unit during winter, or when not in use.

Do the following before starting to install unit. See illustrations below.

1. Check your window opening size. The mounting parts furnished with this air conditioner are made to install in a wooden sill double-hung window. The standard parts are for windows that open to a minimum of 19-1/2", with a minimum width of 28", and a maximum width of 40-1/2". Open sash to a minimum of 19" (483mm). See Figure 3.
2. Check the condition of window. All wood parts of the window must be in good shape and able to firmly hold the needed screws. If not, make repairs before installing unit.
3. Check your storm windows. If your window has a storm window frame that does not allow the required clearance and cannot be removed, correct by adding a piece of wood as shown in Figure 4, or by removing storm window while room air conditioner is being installed.



4. Check for anything that could block airflow. Check area outside of the window for things such as shrubs, trees, or awnings. Inside, be sure furniture, drapes, or blinds will not impede proper airflow.
5. Check the available electrical service. Power supply must be the same as that shown on the unit serial nameplate. The air conditioner comes with a power cord 48" long. Be sure you have an outlet close enough for the cord to reach.



6. Carefully unpack air conditioner. Remove all packing material and verify all parts are present. Protect the surface it is placed on from damage. It is always recommended to have two people move and install unit.

INCLUDED HARDWARE

	7/16 inch Locking screw and Flat washer for window panels	2 each		Long hex-head locking screw for top angle, side retainer 5/16" long.	10
	3/4 (or 1/2) inch Long Hex-head Screw	7		Foam insert	2
	Safety Lock	1		Window sash seal foam	1
	1/2 inch Long screw and Locknut	4 each		R1 hardware	2
	3/4 inch Long Flat Head Bolt and Locknut	2 each		Weather stripping (10"x3/4"x1-1/12")	5
	Sill Angle Bracket	2	▲ NOTE: R1 hardware and Weather stripping is only for Energy star models.		

REQUIRED TOOLS (NOT INCLUDED)

- Large flat blade screwdriver
- Tape measure
- Adjustable wrench or plier
- Pencil
- Level
- Socket wrenches
- Phillips Screwdriver

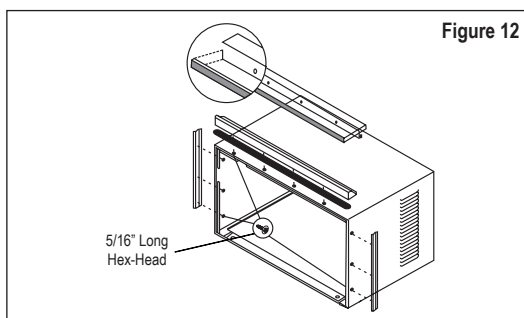
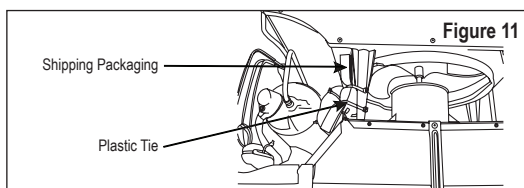
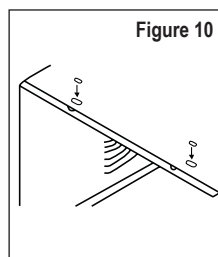
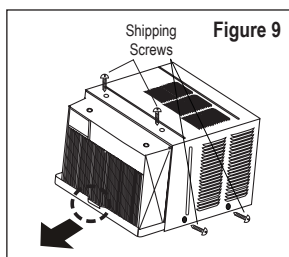
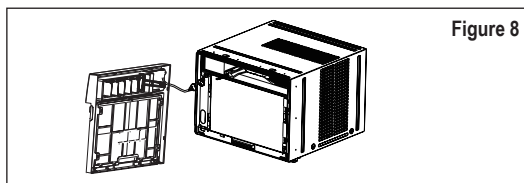
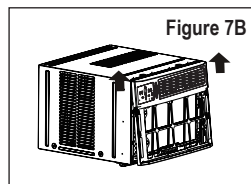
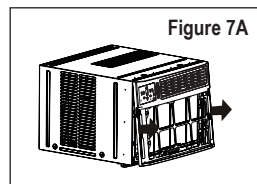
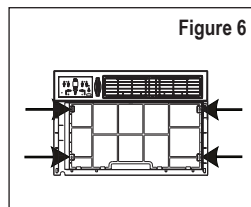
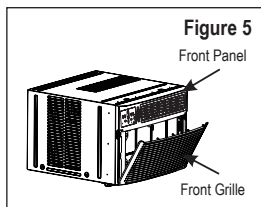
WINDOW MOUNTING

REMOVE CHASSIS

1. Pull down front grille and remove filter. (See Figure 5.)
2. Lift front grille upwards and place to one side.
3. Locate the four front screws and remove. These screws will be needed to re-install the front panel. (See Figure 6.)
4. Push metal cabinet side to release plastic tabs on each side of front panel. (See Figure 7A.)
5. Gently lift front panel off unit. (See Figure 7B.)
6. Disconnect the connector plug of the display panel from the unit and place front panel to one side. (See Figure 8.)
7. Remove shipping screws from top of unit and also on the side by the base if installed. (See Figure 9.)
8. Hold the cabinet while pulling on the base-pan handle, and carefully remove the unit.
9. Add two foam inserts to holes in top of cabinet where shipping screws were removed from. (See Figure 10.)
10. Your unit may come with internal packaging. This packaging must be removed prior to installing the air conditioner back into the cabinet. (See Figure 11.)

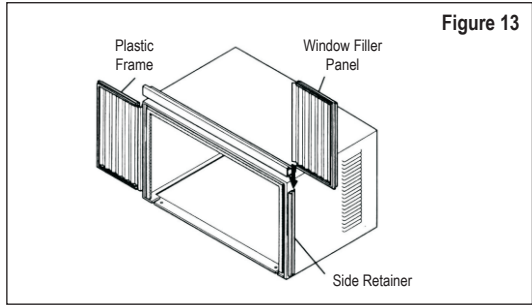
INSTALL TOP ANGLE AND SIDE BRACKET

1. Attach foam gasket to top angle above holes as shown in Figure 10.
2. Install top angle and side retainers to cabinet as shown in Figure 12. (Use 10 screws.)

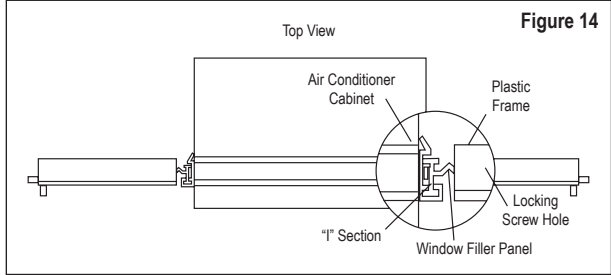


ASSEMBLE WINDOW FILLER PANELS

1. Place cabinet on a flat, stable surface.
2. Slide I section of window filler panel into side retainer on the side of the cabinet (see Figure 13 & Figure 14). Repeat for other side.
3. Insert top and bottom legs of window filler panel frame into channel in the top angle and bottom rail. Do both sides.

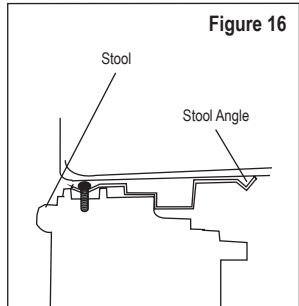
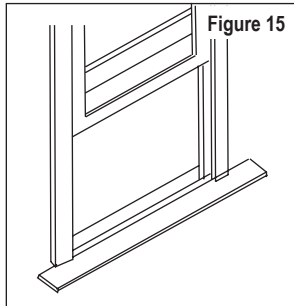


4. Insert washer head locking 7/16" screws (2) into holes in top leg of filler panel frame (See step "EXTEND WINDOW FILLER PANELS"). DO NOT totally tighten. Allow leg to slide freely. Screws will be tightened after step "EXTEND WINDOW FILLER PANELS".

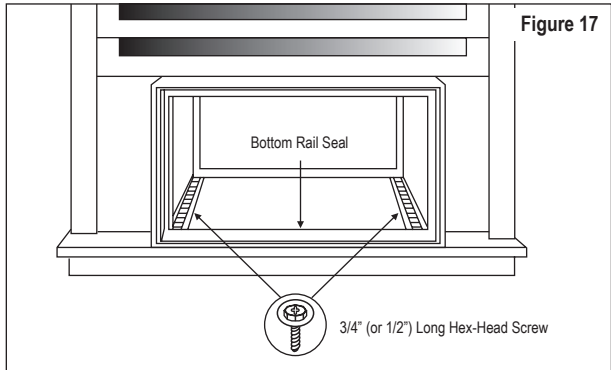


INSTALL CABINET IN WINDOW

1. Open window and mark center of window stool as shown. (See Figure 15.)
2. Place cabinet in window with bottom stool angle firmly seated over window stool as shown. (See Figure 16.) Bring window down temporarily behind top angle to hold cabinet in place.



3. Shift cabinet left or right as needed to line up center of cabinet on center line marked on stool.
4. Fasten cabinet to window stool with 2 screws. You may wish to pre-drill pilot holes to prevent the wood from splitting.
5. Add bottom rail seal over screws to window stool. (See Figure 17.)



INSTALL SUPPORT BRACKET

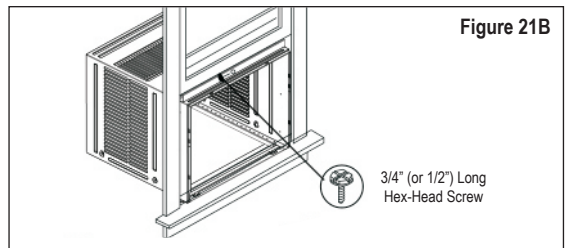
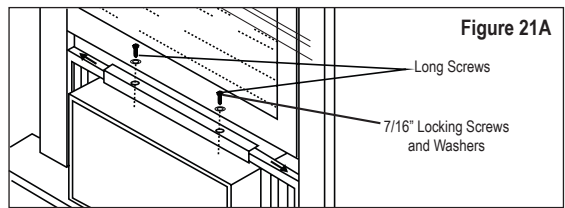
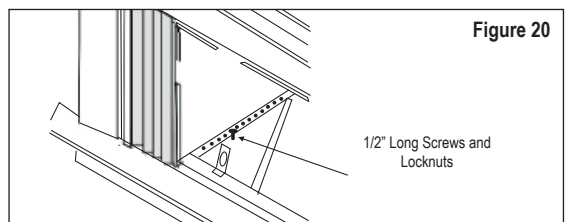
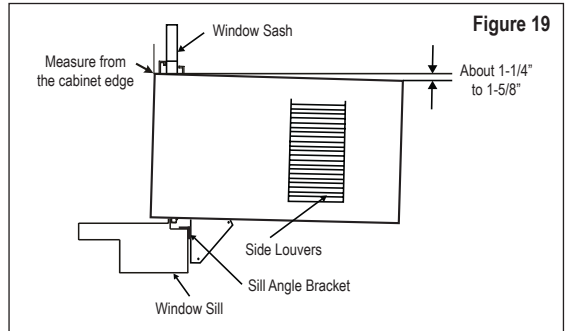
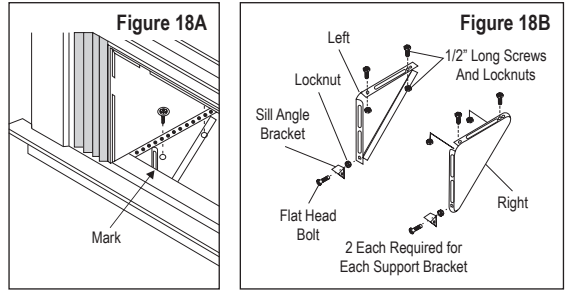
1. Hold each support bracket flush against the outside of the sill, and tight to bottom of cabinet as shown in Figure 18A. Mark brackets at top level of sill, and remove.
2. Assemble sill angle bracket to support brackets at the marked position. (See Figure 18B.) Hand tighten, but allow for any changes later.

▲ NOTE: Check that air conditioner is tilted back about 1-1/4" to 1-5/8" (about 3° to 4° downward to the outside). After proper installation, condensate should not drain from the overflow drain hole during normal use. If it does, correct the angle. (See Figure 19)

3. Install support brackets (with sill angle brackets attached) to correct hole in bottom of cabinet as shown in Figure 20.
4. Tighten all 6 bolts securely.

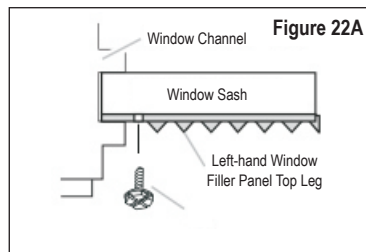
EXTEND WINDOW FILLER PANELS

1. Carefully raise window to expose filler panel locking screws. Loosen screws so filler panels slide easily.
2. Extend panels to fill window opening completely. Tighten locking screws on top. (See Figure 21A.)
3. Close window behind top angle.
4. Attach the top angle to window frame: Use a 3/32 drill bit to drill one hole through the hole in the middle of top angle into the window frame, and drive one 3/4 (or 1/2) HEX-HEAD locking screw through hole in the middle of top angle into the window frame as shown. (See Figure 21B.)



ATTACH WINDOW FILLER PANELS TO WINDOW FRAME

1. Extend the window filler panels out against the window frame.
2. Use a 1/8" drill bit to drill a starter hole through the hole in the top leg of each window filler panel and into the window sash. (See Figure 22A and 22B.) Connect with one 3/4 (or 1/2") long hex head screw.

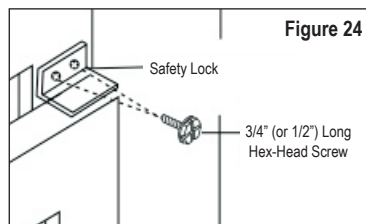
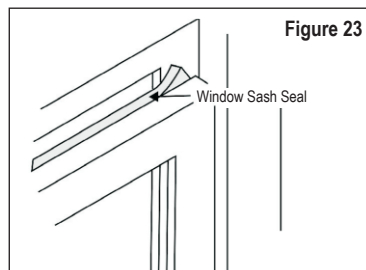
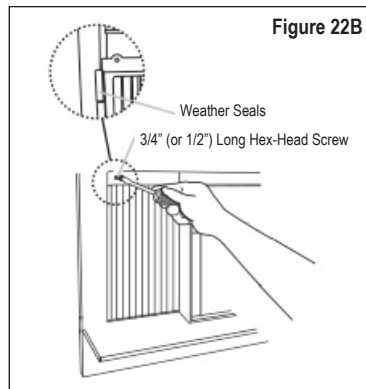


INSTALL WINDOW SASH SEAL AND SAFETY LOCK

1. Trim sash seal to fit window width. Insert into space between upper and lower sashes. (See Figure 23.)
2. Attach right angle safety lock. (See Figure 24.)

INSTALL CHASSIS INTO CABINET AND INSTALL FRONT TO UNIT

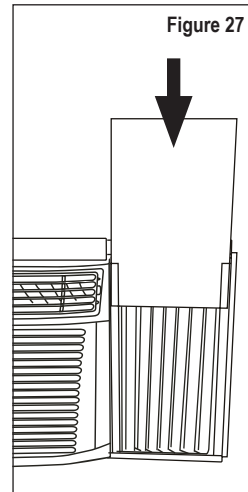
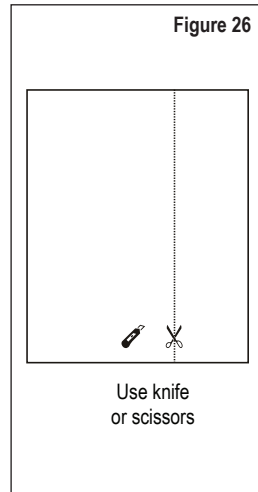
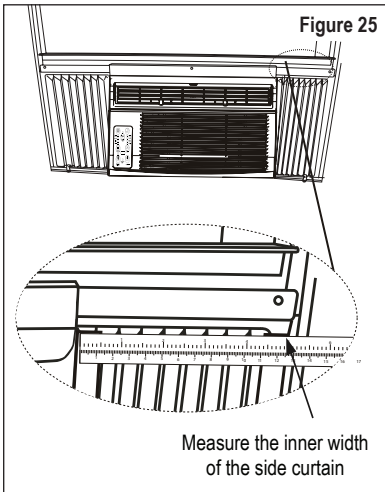
1. Lift air conditioner and carefully slide into cabinet leaving 6 inches protruding.
2. DO NOT push on controls or finned coils.
3. Be sure chassis is firmly seated towards rear of cabinet.
4. Installation of front is the reverse of removal outlined in Step "Remove Chassis".



INSTALL R1 HARDWARE (ONLY APPLICABLE TO ENERGY STAR MODELS)

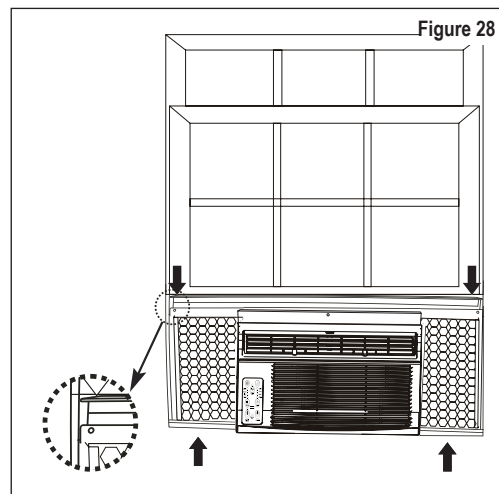
In order to minimize air leaks and ensure optimal insulation, it is necessary to install the included R1 hardware (h) to the side curtain. Follow the instructions below.

1. After the unit is installed to the window, measure the inner width of the side curtain as shown in Figure 25.
2. Mark a line on the provided R1 insulation panel (h) according to a length $1/8$ (3mm) less than the measured width in step 1, then cut the R1 insulation panel along the line with a knife or scissors. (See Figure 26.)
3. Slide the R1 insulation panel(h) into the side curtain, the side with pattern should facing the indoor side. (See Figure 27.)
4. Repeat for the other side.



INSTALL WEATHER STRIPPING (ONLY APPLICABLE TO ENERGY STAR MODELS)

In order to minimize air leaks between the air conditioner and the window opening, trim the weather stripping (e) to the proper length, peel off the protective backing and plug any gaps if needed. (See Figure 28.)



THROUGH THE WALL INSTALLATION

▲ NOTE: It is only recommended to have the through the wall Installation done by a qualified carpenter. ALWAYS consult local building codes.

The air conditioner has a slide-out chassis so it can be installed through an outside wall as specified:

- Maximum Wall Thickness as 12" or 10"

▲ IMPORTANT: Side louvers must NEVER be blocked.

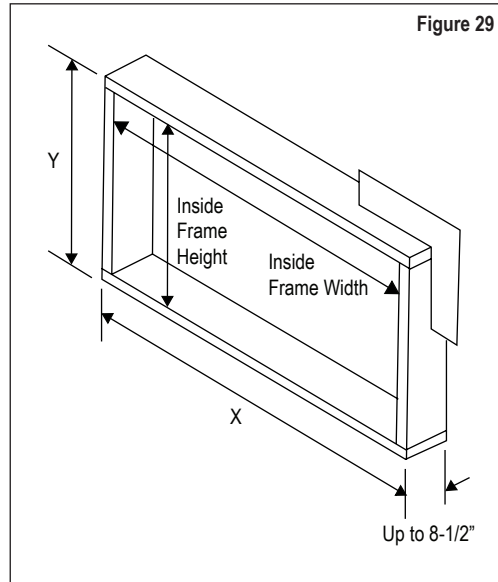
▲ NOTE: All parts needed for Through the Wall Installation are provided, except a wood frame, shims, and 10 wood screws (#10-1" long minimum).

Select a wall surface that:

- Does not support major structural loads such as the frame construction at ends of windows, and under truss-bearing points, etc.
- Does not have plumbing or wiring inside.
- Is near existing electrical outlets, or where another outlet can be installed.
- Faces, and is not blocked to the area to be cooled.
- Allows unblocked airflow from rear sides and back (outside) of installed air conditioner.

For installation through a wall, a hole must be opened in the wall and framed as below:

- Inside Frame Height: 18-7/8"(47.9cm) or 18" (45.7cm)
- Inside Frame Width: 26-3/4"(67.9cm) or 23-7/8"(60.6cm)
- WIDTH X = inside model width plus twice the thickness of framing material used.
- HEIGHT Y = inside model height plus twice the thickness of framing material used.



OPERATING INSTRUCTIONS

OPERATION OF CURRENT DEVICE

The power supply cord contains a current device that senses damage to the power cord. To test your power supply cord do the following:

1. Plug in the Air Conditioner.
2. The power supply cord will have TWO buttons on the plug head. Press the TEST button, you will notice a click as the RESET button pops out.
3. Press the RESET button, again you will notice a click as the button engages.
4. The power supply cord is now supplying electricity to the unit. (On some products this it also indicated by a light on the plug head.)

▲ **NOTE:** DO NOT use this device to turn the unit on or off.

▲ **NOTE:** ALWAYS make sure the RESET button is pushed in for correct operation.

▲ **NOTE:** The power supply must be replaced if it fails reset when either the TEST button is pushed, or it cannot be reset. A new one can be obtained from the product manufacturer.

▲ **NOTE:** If power supply cord is damaged, it cannot be repaired. It MUST be replaced by one obtained from the product manufacturer.

ELECTRONIC CONTROL OPERATING INSTRUCTIONS

Before you begin, thoroughly familiarize yourself with the control panel as shown below and all its functions then follow the symbol for the functions you desire. The unit can be controlled by the unit control alone or with the remote.

▲ **NOTE:** All illustrations in this manual are for explanation purpose only. Your air conditioner may be slightly different.

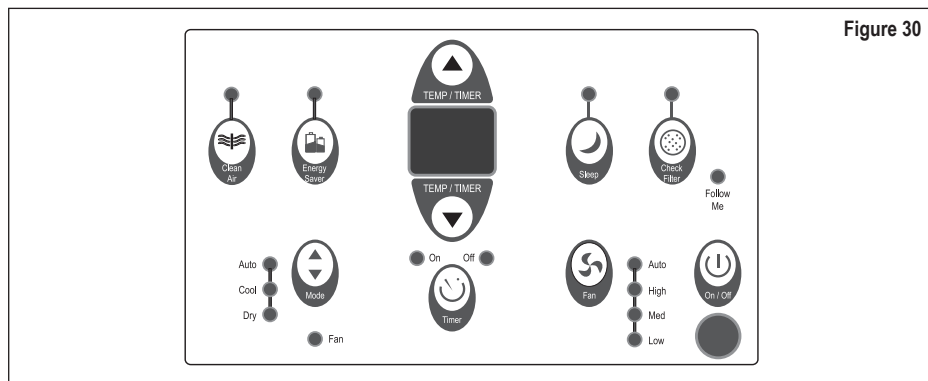


Figure 30

TO TURN UNIT ON OR OFF

Press the (ON/OFF) button to turn the unit on or off.


▲ **NOTE:** The unit will automatically initiate the Energy Saver function under Cool, Dry, Auto modes (only when set to Auto-Cooling and Auto-Fan).

TO CHANGE TEMPERATURE SETTING


Press  /  (UP/DOWN) button to change temperature setting.

▲ NOTE: Press or hold either UP () or DOWN () button until the desired temperature is seen on the display. This temperature will be automatically maintained anywhere between 62°F (17°C) and 86°F (30°C). If you want the display to read the actual room temperature, see To Operate on Fan Only section.


CLEAN AIR FEATURE (only applicable to some models)

Press  (Clean Air) button, the ion generator is energized and will help to remove pollen and impurities from the air and trap them in the filter.


TO ADJUST FAN SPEEDS

Press  (FAN) button to select the Fan Speed in four steps-Auto, Low, Med or High. Each time the button is pressed, the fan speed mode changes. On Dry mode, the fan speed is controlled at Low automatically.

SLEEP FEATURE

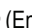

Press  (Sleep) button to initiate the sleep mode. The selected temperature will increase by 2°F/1 or 2°C 30 minutes after the mode is selected, then another 2°F/ 1 or 2°C after an additional 30 minutes. This new temperature will be maintained for 6 hours and then return to the original temperature setting. The Sleep mode program can be cancelled at any time during operation by pressing the Sleep button again.

TO SELECT THE OPERATING MODE

To choose operating mode, press  (Mode) button. Each time you press the button, the selected mode will cycle through Auto, Cool, Dry and Fan. The indicator light will be illuminated and remain on once the mode is selected. The unit will automatically initiate the Energy Saver function under Cool, Dry, Auto modes (only when set to Auto-Cooling and Auto-Fan).

1. **AUTO MODE:** When you set the air conditioner to AUTO mode, it will automatically select cooling or fan only operation depending on what temperature you have selected and the room temperature. The air conditioner will control room temperature automatically based on the temperature point set by you. When set on AUTO, the fan speed cannot be adjusted and will run as needed based on the room temperature.
2. **COOL MODE:** When the unit is set on Cool Mode it will run the fan and compressor to reach and maintain the set temperature.
3. **DRY MODE:** When set to Dry Mode, the air conditioner will operate as a dehumidifier. Since the space is enclosed, and the condenser is operational, there will be some degree of cooling.
4. **FAN ONLY MODE:** Use this function to circulate air without cooling it. ALWAYS be sure to open the vent during this function, which is kept closed during cooling (for maximum cooling efficiency.) Use the fan button to set the desired fan speed. During set to Fan Only, the display will show the actual room temperature, not the set temperature, and the temperature setting cannot be adjusted.

OTHER FUNCTIONS

- **ENERGY SAVER:** Press  (Energy Saver) button to set this function. This function is available in COOL, DRY, AUTO (AUTO-COOLING and AUTO-FAN only) modes. The fan will continue to run for 3 minutes after the compressor shuts off. The fan then cycles on for 2 minutes at 10 minute intervals until the room temperature is above the set temperature, at which time the compressor turns back on and cooling starts again.
- **TIMER:** With the unit is on or off, first press  (Timer) button. The TIMER ON indicator light will illuminate to indicate the Auto Start program is initiated and the display will show the time currently set for the air conditioner to automatically start.

When the time of TIMER ON is displayed press the Timer button again and the TIMER OFF indicator light will illuminate to indicate the Auto Stop program is initiated. Press or hold the UP or DOWN button to change the Auto time by 0.5 hour increments, up to 10 hours, then at 1 hour increments up to 24 hours.

The selected time will show on the display for 5 seconds, and the system will automatically revert back to display the previous temperature setting or room temperature when the unit is on. If the unit is off, there is no display. The control will count down the time remaining until start.

Turning the unit ON or OFF at any time or setting the timer to 0.0 will cancel the Auto Start/Stop timed program.


▲ NOTE: The timer will count down the time displayed, and does not operate based on the actual time of day. Setting the Timer On to 4 and Timer Off to 8 means the air conditioner will turn on 4 hours from the time the auto-start function is initiated, and turn off after another 4 hours.

FOLLOW ME (Only for models with this feature)

The remote control serves as a remote thermostat allowing for the precise temperature control at its location. Point the remote control towards the unit and press the Follow Me button. The remote will display the temperature at its actual location, and send a signal to the air conditioner every 3 minutes until the Follow Me button is pushed again, turning the feature off. If the air conditioner does not receive a signal from the remote for 7 minutes, the unit will beep and the feature will automatically shut off.

This feature can be activated from the remote control ONLY.

CHECK FILTER

Press  (Check Filter) to initiate this feature. This feature is a reminder to clean the Air Filter for more efficient operation. The LED light will illuminate after 250 hours of operation. To reset after cleaning the filter, press the Check Filter button and the light will go off.

DISPLAYS

Shows the set temperature in °F or °C and the Auto-timer settings. While on Fan only mode, it shows the room temperature. The control is capable of displaying temperature in degrees Fahrenheit (°F) or Celsius (°C). To change from one to the other, press and hold the Left and Right Temp/Timer buttons at the same time for 3 seconds.

ERROR CODES

- AS: Room temperature sensor error. Unplug the unit and plug it back in. If error persists, call for service.
▲ NOTE: In Fan only mode it will display "LO" or "HI"
- ●: Evaporator temperature sensor error-Unplug the unit and plug it back in. If error persists, call for service.
- HS: Electric heating sensor error. Unplug the unit and plug it back in. If error persists, call for service.

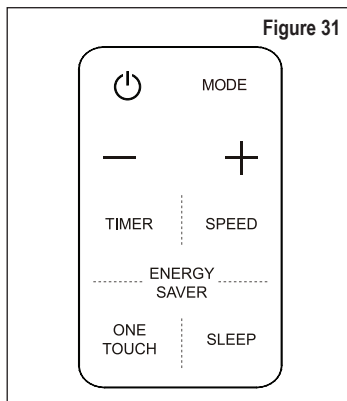
REMOTE CONTROL

▲ NOTE: Buttons design is based on a typical model and may be slightly different from the actual one you purchased. All the functions described are accomplished by the air conditioner. If the unit does not have a feature indicated by a button on the remote, pushing the button will not do anything. When there are differences between Remote Controller instructions and the Use and Care Manual on function description, the description in the Use and Care Manual shall prevail.

- ON/OFF: Operation starts when button is pressed and stops when it is pressed again.

▲ NOTE: If the unit has ENERGY SAVER function, it will automatically initiate under Cool, Dry, and Auto (only Auto-Cooling and Auto-Fan) modes.

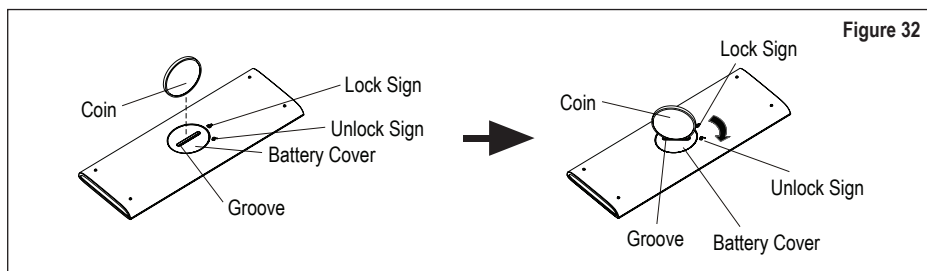
- TEMP DOWN: Push this button to decrease the indoor temperature setting.
- TIMER: Push this button to activate the Auto Start or Auto Stop program.
- ONE TOUCH: Push to automatically start the COOL function with the fan set to AUTO and the temperature set to 80°F (26°C). TIMER function will be cancelled if set. (Not available on all models.)



- MODE: Press to select desired operation mode.
- TEMP UP: Push this button to increase the indoor temperature setting.
- FAN SPEED: Use to select the desired fan speed.
- SLEEP: Press this button to activate the Sleep mode. This function is available on COOL or AUTO mode only. For operation details, see SLEEP feature.
- ENERGY SAVER: Press this button to activate the Energy saving mode and again to stop it. (Not available on all models.)

BATTERY INSTALLATION

1. Insert a coin into the groove on the battery cover, and turn clockwise 45 degrees. Make sure that the groove is aligned with the "Unlock" sign and remove the battery cover (See Figure 32).
2. Install Lithium battery (CR2025) into the remote control, with the positive (+) side up.
3. Replace the battery cover, make sure the battery cover groove is aligned with the "Unlock" sign. Insert a coin into the groove and press it gently, then turn counter clockwise 45 degrees. Make sure the groove is aligned with the "Lock" sign.



▲ WARNING:

- Battery must be disposed of properly. DO NOT short circuit or dispose of in the fire.
- Keep batteries out of the reach of children.
- DO NOT ingest, or allow others to ingest the battery.
- Non-rechargeable batteries are not to be recharged.
- Exhausted batteries are to be removed from the product.

▲ WARNING:

- Chemical Burn Hazard. Keep batteries away from children.
- This product contains a lithium button/coin cell battery. If a new or used lithium button/coin cell battery is swallowed or enters the body, it can cause severe internal burns and can lead to death in as little as 2 hours. Always completely secure the battery compartment. If the battery compartment does not close securely, stop using the product, remove the batteries, and keep it away from children. If you think batteries might have been swallowed or placed inside any part of the body, seek immediate medical attention.
- The cells shall be disposed of properly, including keeping them away from children. Even used cells may cause injury.

▲ CAUTIONS

- The air conditioner will not operate if curtains, doors or other materials block the signals from the remote controller to the unit.
- Prevent any liquid from falling into the remote controller. Do not expose the remote controller to direct sunlight or heat.
- If the infrared signal receiver on the indoor unit is exposed to direct sunlight, the air conditioner may not function properly. Use curtains to prevent the sunlight from falling on the receiver.
- If other electrical appliances react to the remote controller, either move these appliances or consult your local dealer.

▲ NOTE:

-Buttons design is based on typical model and might be slightly different from the actual one you purchased, the actual shape shall prevail.

-All the functions described are accomplished by the unit, if the unit has no this feature, there is no corresponding operation happened when press the relative button on the remote controller.

-When there are wide differences between Remote controller Illustration and USERS MANUAL on function description, the description on USERS MANUAL shall prevail.

-The device could comply with the local national regulations. In Canada, it should comply with CAN ICES-3(B)/NMB-3(B). In USA, this device complies with part 15 of the FCC Rules.

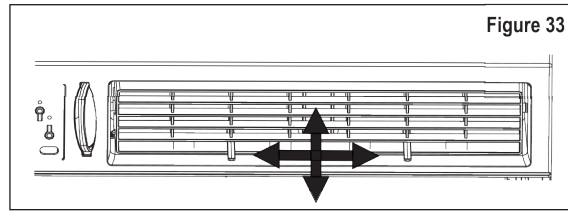
Operation is subject to the following two conditions: (1) This device may not cause harmful interference, and (2) this device must accept any interference received, including interference that may cause undesired operation.

-This equipment has been tested and found to comply with the limits for a Class B digital device, pursuant to part 15 of the FCC Rules. These limits are designed to provide reasonable protection against harmful interference in a residential installation. This equipment generates, uses and can radiate radio frequency energy and, if not installed and used in accordance with the instructions, may cause harmful interference to radio communications. However, there is no guarantee that interference will not occur in a particular installation. If this equipment does cause harmful interference to radio or television reception, which can be determined by turning the equipment off and on, the user is encouraged to try to correct the interference by one or more of the following measures:

- Reorient or relocate the receiving antenna.
- Increase the separation between the equipment and receiver.
- Connect the equipment into an outlet on a circuit different from that to which the receiver is connected.
- Consult the dealer or an experienced radio/TV technician for help. Changes or modifications not approved by the party responsible for compliance could void users authority to operate the equipment.

DIRECTIONAL AIR LOUVERS

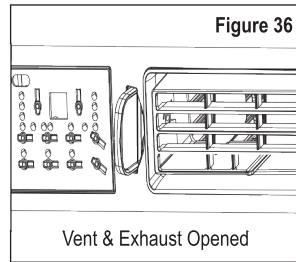
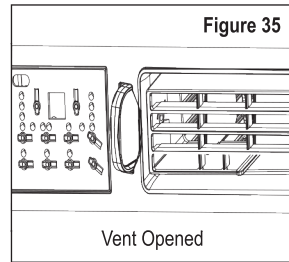
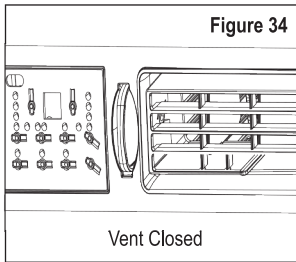
The louvers will allow you to direct the air flow Up or Down (on some models) and Left or Right. Pivot horizontal louvers until the desired Up/Down direction is obtained. Move the Levers from side to side until the desired Left/Right direction is obtained.



FRESH AIR VENT CONTROL (ON 10000~12000 BTU/H MODELS)

The Fresh Air Vent allows the air conditioner to:

1. Recirculate inside air: Vent Closed (See Figure 34.)
2. Draw fresh air into the room: Vent Opened (see Figure 35.)
3. Exchange air from the room and draws fresh air into the room: Vent and Exhaust Opened (see Figure 36.)



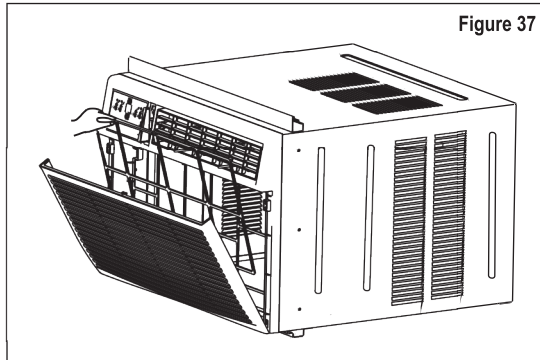
CARE AND MAINTENANCE

▲ CAUTION: Clean your air conditioner regularly to keep it looking new. Be sure to unplug the unit before cleaning to prevent shock or fire hazards.

CLEANING THE AIR FILTER

The air filter should be checked at least once a month to see if cleaning is necessary. Trapped particles in the filter can build up and cause an accumulation of frost on the cooling coils.

- Push the vent handle to the Vent Closed position (when applicable). Open the front panel.
- Take the filter by the center and pull up and out.
- Wash the filter using liquid dishwashing detergent and warm water. Rinse filter thoroughly. Gently shake excess water from the filter. Be sure the filter is thoroughly dry before replacing. Alternatively, you may carefully vacuum the filter clean.



▲ NOTE: NEVER use hot water over 104°F (40°C) to clean the air filter. NEVER attempt to operate the unit without the air filter.

CLEANING THE CABINET

- Be sure to unplug the air conditioner to prevent shock or fire hazard. The cabinet and front may be dusted with an oil-free cloth or washed with a cloth dampened in a solution of warm water and mild liquid dishwashing detergent. Rinse thoroughly and wipe dry.
- NEVER use harsh cleaners, wax or polish on the cabinet front.
- Be sure to wring excess water from the cloth before wiping around the controls. Excess water in or around the controls may cause damage to the air conditioner.

WINTER STORAGE

If you plan to store the air conditioner during the winter, remove it carefully from the window according to the installation instructions. Cover it with plastic or return it to the original carton.

TROUBLESHOOTING

Please check the following before calling for service.

Problem	Solution
Air conditioner does not start.	Wall plug disconnected. Push plug firmly into wall outlet.
	House fuse blown or circuit breaker tripped. Replace fuse with time delay type or reset circuit breaker.
	Plug Current Device Tripped. Press the RESET button.
	Power is OFF. Turn power ON.
Air from unit does not feel cold enough.	Room temperature below 62°F (17°C). Cooling may not occur until room temperature rises above 62°F (17°C).
	Temperature sensing behind air filter element touching cold coil. Keep it from the cold coil.
	Set to a Lower temperature.
	Compressor stopped when changing modes. Wait for 3 minutes after set to the COOL mode.
Air conditioner cooling, but room is too warm. Ice forming on cooling coil behind decorative front.	Outdoor temperature below 64°F (18°C). To defrost the coil, set FAN ONLY mode.
	Air filter may be dirty. Clean filter. Refer to Care and Cleaning section. To defrost, set to FAN ONLY mode.
	Thermostat set too cold for night-time cooling. To defrost the coil, set to FAN ONLY mode. Then, set temperature to a higher setting.
Air conditioner cooling, but room is too warm. NO ice forming on cooling coil behind decorative front.	Dirty air filter- air restricted. Clean air filter. Refer to Care and Cleaning section.
	Temperature is set too High, set temperature to a Lower setting.
	Air directional louvers positioned improperly. Position louvers for better air distribution.
	Front of unit is blocked by drapes, blinds, furniture, etc. restricting air distribution. Clear blockage in front of unit.
	Doors, windows, registers, etc. open allowing cold air to escape. Close doors, windows, registers, etc.
	Unit recently turned on in hot room. Allow additional time to remove stored heat from walls, ceiling, floor and furniture.
Air conditioner turns on and off rapidly.	Dirty air filter restricting air flow. Clean air filter.
	Outside temperature extremely hot. Set FAN speed to a higher setting to bring air past cooling coils more frequently.
Noise when unit is cooling.	Air movement sound. This is normal. If too loud, set to a slower FAN setting.
	Window vibration from improper installation. Refer to installation instructions or check with installer.
Water dripping INSIDE when unit is cooling.	Improper installation. Tilt air conditioner slightly to the outside to allow water drainage. Refer to installation instructions - check with installer.
Water dripping OUTSIDE when unit is cooling.	Unit removing large quantity of moisture from humid room. This is normal during excessively humid days.

Remote Sensing Deactivating Prematurely (some models)	Remote control not within range. Place remote control within 20 feet & 180° radius of the front of the unit.
	Remote control signal obstructed. Remove obstruction.
Room too cold	Set temperature is too low. Increase set temperature.

- If the unit shuts off due to the power cut, it will restart with the previous function setting automatically when the power resumes.
- The Cool circuit has an automatic 3 minute time delayed start if the unit is turned off and on quickly. This prevents overheating of the compressor and possible circuit breaker tripping. The fan may continue to run during this time.

NORMAL SOUNDS

Gurgling or hissing noises may be heard due to refrigerant passing through evaporator during normal operation.

- At the front of the unit, you may hear the sound of rushing air being moved by the fan.
- High efficiency compressor may have a high pitched chatter during the cooling cycle.
- Unit may vibrate and make noise due to wall or window construction or incorrect installation.
- Droplets of water hitting condenser during normal operation may cause pinging or switching sounds.

Master Craft®

LIMITED WARRANTY

MC Appliance Corporation warrants each new ROOM AIR CONDITIONER to be free from defects in material and workmanship and agrees to remedy any such defect or to furnish a new part(s) (at the company's option) for any part(s) of the unit that has failed during the warranty period. Parts and labor expenses are covered on this unit for a period of one year from the date of purchase. In addition, MC Appliance Corporation warrants the compressor (parts only) to be free from defects in material and workmanship for a period of 5 years. The consumer is responsible for all labor and transportation expenses related to the diagnosis and replacement of the compressor after the initial one-year warranty expires. In the event that the unit requires replacement or refund under the terms of this warranty, the consumer is responsible for all transportation expenses to return the unit to our factory prior to receiving a replacement unit or refund. A refund or replacement will be issued at the discretion of MC Appliance Corporation. A copy of the dated sales receipt/invoice is required to receive warranty service or a refund.

This warranty covers appliances in use within the contiguous United States, Alaska, Hawaii and Puerto Rico. The warranty does not cover the following:

- Damages due to shipping damage or improper installation.
- Damages due to misuse or abuse.
- Content losses due to failure of the unit.
- Inside components such as the filter, etc.
- Repairs performed by unauthorized service agents.
- Service calls that do not involve defects in material and workmanship, such as instructions on proper use of the product or improper installation.
- Replacement or resetting of house fuses or circuit breakers.
- Failure of this product if used for purposes other than its intended purpose.
- Disposal costs for any failed unit not returned to our factory.
- Any delivery or installation costs incurred as the result of a unit that fails to perform as specified.
- Expenses for travel and transportation for product service if your appliance is located in a remote area where service by an authorized service technician is not available.
- The removal and reinstallation of your appliance if it is installed in an inaccessible location or is not installed in accordance with published installation instructions.
- Refunds for non-repairable products are limited to the price paid for the unit per the sales receipt.
- This warranty is non-transferable. This warranty applies only to the original purchaser and does not extend to any subsequent owners.

LIMITATIONS OF REMEDIES AND EXCLUSIONS

Product repair in accordance with the terms herein, is your sole and exclusive remedy under this limited warranty. Any and all implied warranties including merchantability and fitness for a particular purpose are hereby limited to one year or the shortest period allowed by law. MC Appliance Corporation is not liable for incidental or consequential damages and no representative or person is authorized to assume for us any other liability in connection with the sale of this product. Under no circumstances is the consumer permitted to return this unit to the factory without the prior written consent of MC Appliance Corporation.

Some states prohibit the exclusion or limitation of incidental or consequential damages, or limitations on implied warranties. This warranty gives you specific legal rights, and you may also have other rights which vary from state to state.

Model	Parts & Labor	Compressor (Part Only)	Type of Service
MCRAC15KEWM	One-Year	Five Years	Carry In

For Service or Assistance, please call 888-775-0202, email to cshelp@mcappliance.com, or visit us on the web at www.mcappliance.com.