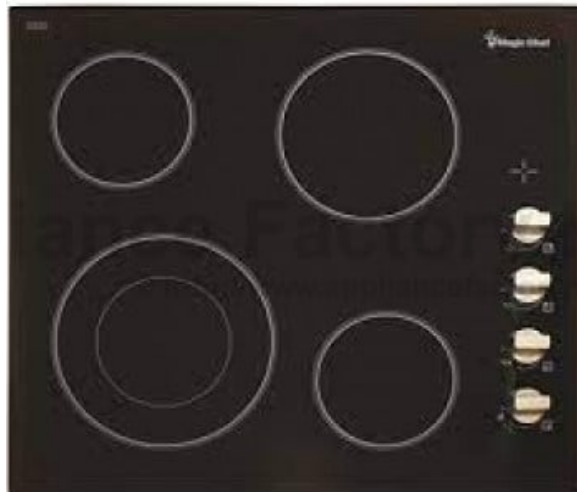


This Owner's Manual is provided and hosted by [Appliance Factory Parts](#).



MAGIC CHEF MCSCTE24BG Owner's Manual

[Shop genuine replacement parts for MAGIC CHEF
MCSCTE24BG](#)



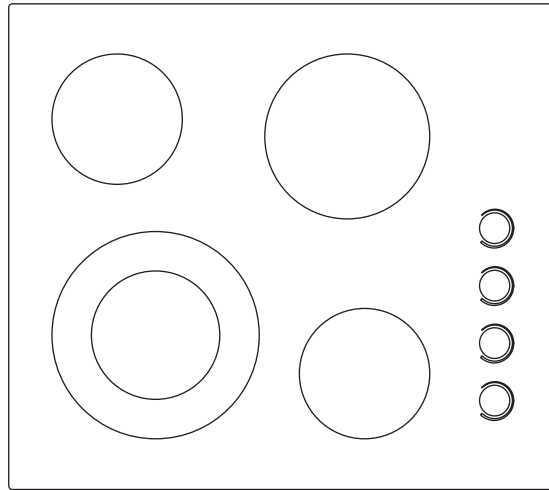
[Find Your MAGIC CHEF Oven Parts - Select From 16 Models](#)

----- Manual continues below -----



24-Inch Electric Cooktop

User's Manual



Model MCSCTE24BG

**PLEASE READ THIS MANUAL CAREFULLY BEFORE USING YOUR
ELECTRIC RANGE AND KEEP IT FOR FUTURE REFERENCE.**



PRODUCT REGISTRATION

Thank you for purchasing this Magic Chef® product. The first step to protect your new product is to complete the product registration on our website: www.mcappliance.com/register. The benefits of registering your product include the following:

1. Registering your product will allow us to contact you regarding a safety notification or product update.
2. Registering your product will allow for more efficient warranty service processing when warranty service is required.
3. Registering your product could act as your proof of purchase in the event of insurance loss.

Once again, thank you for purchasing this Magic Chef product.

CONTENTS

PRODUCT REGISTRATION	2
PRECAUTIONS	4
IMPORTANT SAFETY INSTRUCTIONS	5
SPECIFICATIONS	6
PARTS AND FEATURES	7
INSTALLATION REQUIREMENTS.....	8
INSTALLATION INSTRUCTIONS	11
BEFORE USE	15
OPERATION INSTRUCTIONS.....	17
CARE AND MAINTENANCE.....	19
TROUBLESHOOTING.....	20
LIMITED WARRANTY	21

PRECAUTIONS

EXPLANATION OF SYMBOLS

▲ WARNING

Hazards or unsafe practices which COULD result in severe personal injury or death.

▲ CAUTION

Hazards or unsafe practices which COULD result in minor personal injury.

THIS PRODUCT IS INTENDED FOR HOUSEHOLD USE ONLY

▲ WARNING: Read and understand all safety precautions. Failure to follow all instructions described in this user manual may result in electric shock, fire and/or serious personal injury. The warnings, cautions and instructions discussed in this user manual cannot cover all possible conditions and situations that may occur.

IMPORTANT SAFETY INSTRUCTIONS

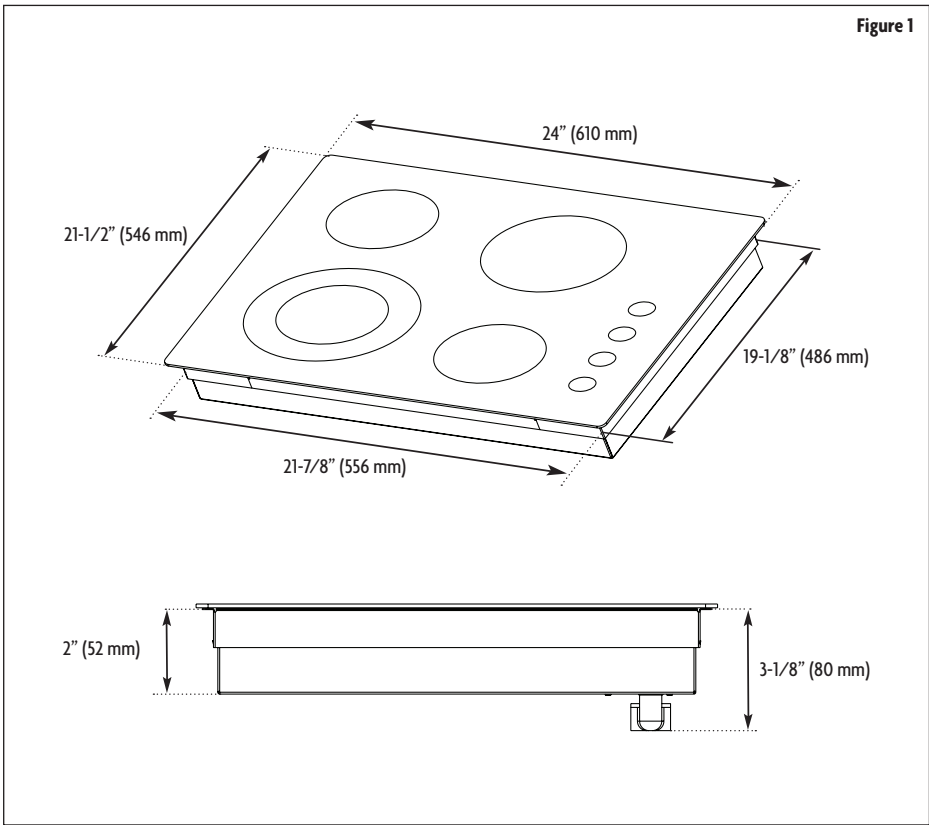
▲ WARNING: To reduce the risk of fire, electrical shock, injury to persons, or damage when using the cooktop, follow basic precautions, including the following.

▲ CAUTION: DO NOT store items in cabinets above the cooktop that are of interest to children. Children climbing on the cooktop to reach items could be seriously injured.

1. Be sure your cooktop is properly installed and grounded by a qualified technician.
2. DO NOT repair or replace any part of the cooktop unless specifically recommended in the manual. All other servicing SHOULD be referred to a qualified technician.
3. Wear proper apparel. Loose-fitting or hanging garments SHOULD NEVER be worn while using the cooktop.
4. Flammable materials SHOULD NOT be stored near surface units.
5. Only certain types of glass, glass/ceramic, ceramic, earthenware, or other glazed utensils are suitable for cooktop service without breaking due to the sudden change in temperature.
6. Utensil handles SHOULD be turned inward and not extend over adjacent surface units. To reduce the risk of burns, ignition of flammable materials, and spillage due to unintentional contact with the utensil, the handle of a utensil SHOULD be positioned so that it is turned inward, and does not extend over adjacent surface units.
7. DO NOT use water on grease fires. Smother fire or flame or use dry chemical or foam-type extinguisher.
8. NEVER leave surface units unattended at high heat settings. Boilover causes smoking and greasy spillovers that may ignite.
9. DO NOT leave children alone. Children SHOULD NOT be left alone or unattended in area where cooktop is in use. They SHOULD NEVER be allowed to sit or stand on any part of the cooktop.
10. DO NOT touch surface units or areas near units. Surface units may be hot even though they are dark in color. Areas near surface units may become hot enough to cause burns. During and after use, DO NOT touch, or let clothing or other flammable materials contact surface units or areas near units until they have had sufficient time to cool. Among those areas are the cooktop and surfaces facing the cooktop.
11. Use proper pan size. This cooktop is equipped with one or more surface units of different size. Select utensils having flat bottoms large enough to cover the surface unit heating element. The use of undersized utensils will expose a portion of the heating element to direct contact and may result in ignition of clothing. Proper relationship of utensil to burner will also improve efficiency.
12. Use only dry potholders. Moist or damp potholders on hot surfaces may result in burns from steam. DO NOT let potholder touch hot heating elements. DO NOT use a towel or other bulky cloth.
13. DO NOT cook on broken cooktop. If cooktop should break, cleaning solutions and spillovers may penetrate the broken cooktop and create a risk of electric shock. Contact a qualified technician immediately.
14. NEVER use your cooktop for warming or heating the room.
15. Clean cooktop with caution. If a wet sponge or cloth is used to wipe spills on a hot cooking area, be careful to avoid steam burn. Some cleaners can produce noxious fumes if applied to a hot surface. Extreme caution SHOULD be exercised when using cookware or bakeware constructed of anything other than ovenproof metal or glass. DO NOT place any of the following materials in the oven: cardboard, plastic, paper, or anything similar.

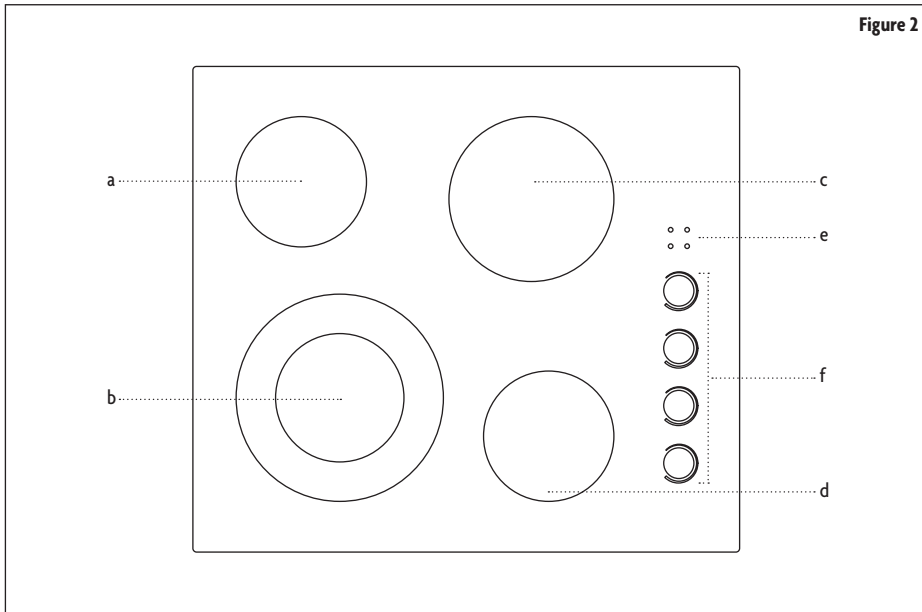
**SAVE THESE INSTRUCTIONS
FOR FUTURE REFERENCE**

SPECIFICATIONS



Glass Width	24.0" (610 mm)
Glass Depth	21.5" (546 mm)
Cooktop Height Including Conduit (located at rear of cooktop, right side)	3-1/8" (80 mm)
Frame Width	21-7/8" (556 mm)
Frame Depth	19-1/8" (486 mm)
Cooktop Height	2" (52 mm)
Net Weight	20 lbs. (9.3 kg)
Voltage Rating	240 V, 60 Hz
Power Rating	6700 W

PARTS AND FEATURES



- a. Single Cooking Zone
- b. Single/Dual Cooking Zone
- c. Single Cooking Zone
- d. Single Cooking Zone
- e. Hot Surface Indicator Light
- f. Control Knobs

INSTALLATION REQUIREMENTS

TOOLS AND PARTS

Gather the required tools and parts before starting installation. Read and follow the instructions provided with any tools listed here.

<u>Tools Required</u>	<u>Parts Supplied</u>	<u>Parts Required</u>
<ul style="list-style-type: none">• Tape Measure• 1/4" (6.35 mm) Nut Driver• Marker or Pencil• Pliers• Flat-Blade Screwdriver	<ul style="list-style-type: none">• Foam Strip Roll• Clamping Brackets (2)• 2-1/2" (6.4 cm) Clamping Screws (2)	<ul style="list-style-type: none">• A UL Listed or CSA Approved Connector for 1/2" (1.3 cm) Diameter Conduit• UL Listed Wire Connectors

Check local codes. Check existing electrical supply. (Refer to "Electrical Requirements" section on page 9.)

It is recommended that all electrical connections be made by a licensed, qualified technician.

LOCATION REQUIREMENTS

▲ IMPORTANT: Observe all governing codes and ordinances. When installing cooktop, use minimum dimensions given.

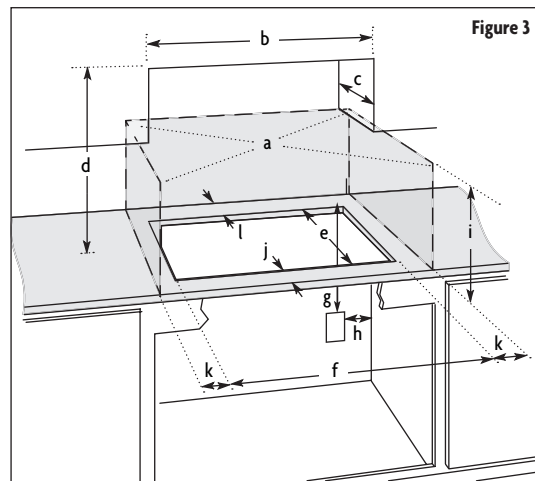
- To eliminate the risk of burns or fire when reaching over the heated surface units, cabinet storage space located above the surface units SHOULD be avoided. If cabinet storage is to be provided, the risk can be reduced by installing a range hood that projects horizontally a minimum of 5" (12.7 cm) beyond the bottom of the cabinets.
- The cooktop SHOULD be a specified cooktop that is approved to be installed either alone or over an undercounter built-in oven. Check the cooktop base for an approved installation label. If you do not find this label, contact your dealer to confirm that your cooktop is approved.
- The cooktop SHOULD be installed in a level countertop.
- Ovens approved for this type of installation will have an approval label located on the top of the oven. If you do not find this label, contact your dealer to confirm that your oven is approved. (Refer to oven manufacturer's Installation Instructions for approval for built-in undercounter use and proper cutout dimensions.)
- The cooktop SHOULD be installed away from strong draft areas, such as windows, doors, fans or strong heating vents. The cooktop SHOULD be located for convenient use in the kitchen.
- Use the countertop opening dimensions that are given with these Installation Instructions. Given dimensions are minimum clearances and provide 0" (0 cm) clearance.
- Grounded electrical supply is required. (Refer to "Electrical Requirements" section on page 9.)

LOCATION REQUIREMENTS

▲ IMPORTANT: If installing a range hood or microwave hood combination above the cooktop, follow the range hood or microwave hood combination installation instructions for dimensional clearances above the cooktop surface.

▲ NOTE: After making the countertop cutout, some installations may require notching down the base cabinet side walls to clear the cooktop base. To avoid this modification, use a base cabinet with sidewalls wider than the cutout.

- a. Combustible area above countertop
- b. Recommended upper cabinet width: 24" (61cm)
- c. Recommended upper cabinet depth: 13" (33 cm)
- d. 30" (76.2 cm) minimum clearance between top of cooktop platform and bottom of uncovered wood or metal cabinet (24" [61 cm] minimum clearance if bottom of wood or metal cabinet is covered by not less than 1/4" [0.6 cm] flame retardant millboard covered with not less than No. 28 MSG sheet steel, 0.015" [0.04 cm] stainless steel, or 0.024" [0.06 cm] aluminum or 0.020" [0.05 cm] copper)



- e. Recommended cutout depth: 19-1/4" (49.0 cm) The cooktop will fit in cutout from 19-1/8" to 19-5/16" (48.6 to 49.0 cm).
- f. Recommended cutout width: 22" (56.0 cm) The cooktop will fit in cutout from 21-7/8" to 22-1/8" (55.6 to 56.2 cm).
- g. Minimum distance from top of countertop to junction box or outlet: 7" (17.8 cm)
- h. Maximum distance from right side of cabinet to junction box or outlet: 9" (23.0 cm) .
- i. Minimum clearance from upper cabinet to countertop within minimum horizontal clearances to cooktop: 18" (45.7 cm)
- j. Minimum clearance between front edge and countertop: 2" (5.1 cm)
- k. Minimum distance to nearest left and right side combustible surface above cooktop: 2" (5.1 cm)
- l. Minimum clearance between back wall and countertop: 2" (5.1 cm)

▲ NOTE: If cabinet has a drawer, a 5-1/2" (14.0 cm) depth clearance from the top of the countertop to the top of the drawer (or other obstruction) in base cabinet is required.

ELECTRICAL REQUIREMENTS

▲ WARNING: Electrical Shock Hazard

- Disconnect power before servicing.
- Use 8 gauge copper wire.
- Electrically ground cooktop.
- Failure to follow these instructions can result in death, fire, or electrical shock.

If codes permit and a separate ground wire is used, it is recommended that a qualified technician determine that the ground path and wire gauge are in accordance with local codes.

Check with a qualified technician if you are not sure the cooktop is properly grounded.

Make sure that the electrical connection and wire size are adequate and in conformance with the National Electrical Code, ANSI/NFPA 70-latest edition or CSA Standards C22.1-94, Canadian Electrical Code, Part 1 and C22.2 No. O-M91-latest edition, and all local codes and ordinances.

Before You Make the Electrical Connection

To properly install your cooktop, you SHOULD determine the type of electrical connection you will be using and follow the instructions provided for it here.

- A 3-wire or 4-wire, single phase, 120/240 volt, 60-Hz., AC only electrical supply is required on a separate, 40-amp circuit fused on both sides of the line. The model/serial number rating plate is located on the metal cabinet underneath the cooktop.
- The cooktop is rated 120/240 volt. Some models have a neutral (white) wire.
- The cooktop SHOULD be connected directly to the junction box through flexible, armored or nonmetallic sheathed, copper cable. The flexible, armored cable extending from the fuse box or circuit breaker box SHOULD be connected directly to the junction box.
- Locate the junction box to allow as much slack as possible between the junction box and the cooktop so that the cooktop can be moved if servicing becomes necessary in the future.
- DO NOT cut the conduit. Use the length of conduit provided.
- A UL listed or CSA approved conduit connector SHOULD be provided at each end of the power supply cable (at the cooktop and at the junction box). A listed conduit connector is already provided at the cooktop.
- If the house has aluminum wiring, follow the procedure below:
 1. Connect a section of solid copper wire to the pigtail leads.
 2. Connect the aluminum wiring to the added section of copper wire using special connectors and/or tools designed and UL listed for joining copper to aluminum.
- Follow the electrical connector manufacturer's recommended procedure. Aluminum/copper connection SHOULD conform with local codes and industry accepted wiring practices.

INSTALLATION INSTRUCTIONS

PREPARING COOKTOP FOR INSTALLATION

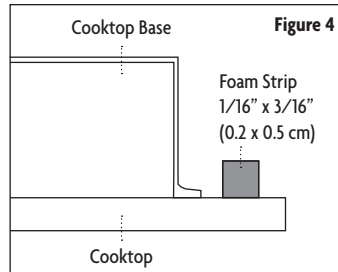
▲ **WARNING:** Excessive Weight Hazard

- Use two or more people to move and install cooktop.
- Failure to do so can result in back or other injury.

Decide on the final location for the cooktop. Avoid drilling into or severing existing wiring during installation.

1. Using 2 or more people, place the cooktop upside down on a covered surface using the foam end posts from the packaging. Make sure that the knobs are not resting on the foam.
2. Remove foam strip roll from the package containing literature. Remove one strip at a time and apply foam strip adhesive side down around bottom of the cooktop glass. (Refer to Figure 4.)

▲ **NOTE:** The foam strip helps avoid damage to the underside of the cooktop glass from debris and helps the cooktop sit flat on uneven counters.



INSTALLING COOKTOP

Type 1: Cooktop Over Undercounter Built-In Oven

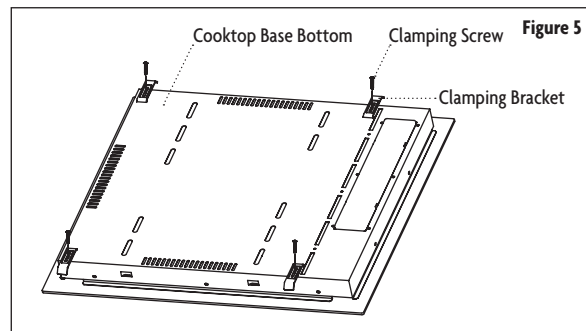
Using 2 or more people, place cooktop right side up into the cutout.

▲ **IMPORTANT:** Clamping brackets **SHOULD NOT** be used.

▲ **NOTE:** Make sure that the front edge of the cooktop is parallel to the front edge of the countertop. If repositioning is needed, lift entire cooktop up from cutout to avoid scratching the countertop.

Type 2: Cooktop Over Cabinets

1. Determine whether your cabinet construction provides clearance for installing clamping brackets at cooktop base ends. (Refer to figure 3 on page 9.)
2. The clamping brackets **SHOULD** be installed after the cooktop is placed into the cutout. (Refer to Figure 5.)



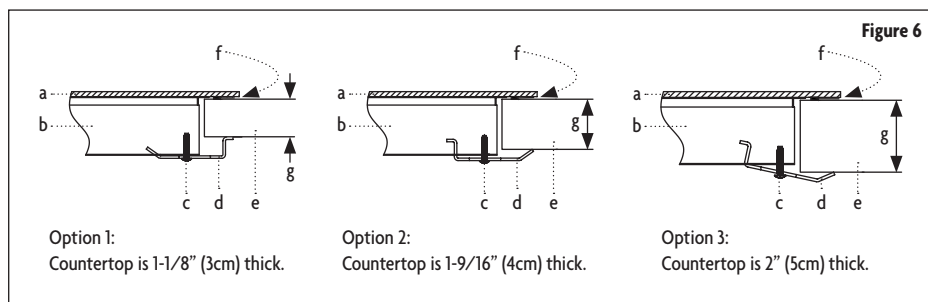
Installing Brackets After Placing Cooktop in Cutout

1. Using 2 or more people, place the cooktop right side up into the cutout.

▲ **NOTE:** Make sure that the front edge of the cooktop is parallel to the front edge of the countertop. If repositioning is needed, lift entire cooktop up from cutout to avoid scratching the countertop.

2. Remove the selected brackets from the bottom of the cooktop base.
3. Select bracket mounting locations that will allow the bracket to extend far enough out from the cooktop for the installation of clamping screws. (Refer to Figure 6.)

4. Attach brackets to cooktop base bottom with bracket clamping screws using the bracket mounting holes. Securely tighten screws.



- a. Cooktop
- b. Cooktop Base
- c. Clamping Screw
- d. Clamping Bracket (It extends far enough beyond cooktop base to allow installation of clamping screws.)
- e. Countertop
- f. Foam Seal
- g. Thickness of the Countertop

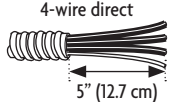
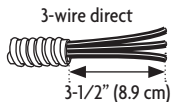
MAKE ELECTRICAL CONNECTION

⚠ **WARNING:** Electrical Shock Hazard

- Disconnect power before servicing.
- Use 8 gauge copper wire.
- Electrically ground cooktop.
- Failure to follow these instructions can result in death, fire, or electrical shock.

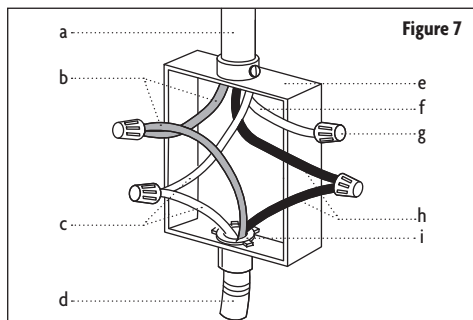
This cooktop is manufactured with a frame connected, green or bare ground wire. Connect the cooktop cable to the junction box through the UL listed or CSA approved conduit connector.

Electrical Connection Options

If your home has	And you will be connecting to	Go to Section
<p>4-wire direct</p>  <p>5" (12.7 cm)</p>	A fused disconnect or circuit breaker box	4-Wire Cable from Power Supply to 3-Wire Cable from Cooktop (page 13)
<p>3-wire direct</p>  <p>3-1/2" (8.9 cm)</p>	A fused disconnect or circuit breaker box	3-Wire Cable from Power Supply to 3-Wire Cable from Cooktop (page 13)

4-Wire Cable from Power Supply to 3-Wire Cable from Cooktop (Refer to Figure 7.)

▲ IMPORTANT: Use the 4-wire cable from power supply where local codes do not permit connecting the frame-ground conductor to the neutral (white) junction box wire.

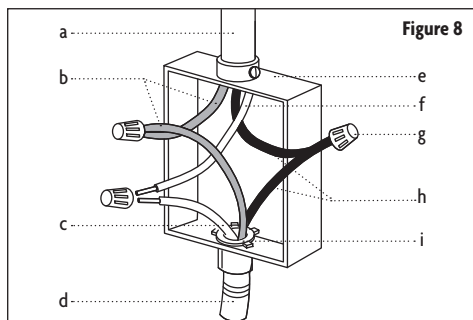


- a. 4-Wire Cable from Power Supply
- b. Red Wires
- c. Green or Bare Ground Wire (from Cooktop)
- d. 3-Wire Cable from Cooktop
- e. Junction Box
- f. White Wire (from Power Supply)
- g. UL Listed Wire Connector
- h. Black Wires
- i. UL Listed or CSA Approved Conduit Connector

1. Disconnect power
 2. Remove junction box cover if present.
 3. Connect the flexible cable conduit from the cooktop to the junction box using a UL listed or CSA approved conduit connector.
 4. Tighten screws on conduit connector, if present.
 5. Connect the two black wires together using the UL listed wire connectors.
 6. Connect the two red wires together using the UL listed wire connectors.
 7. Connect the green or bare ground wire from the cooktop cable to the green or bare ground wire (in the junction box) using the UL listed wire connectors.
 8. Put a UL listed wire connector on the end of the white wire.
- ▲ NOTE:** DO NOT connect the bare ground wire to the neutral (white) wire in the junction box.
9. Install junction box cover.
 10. Reconnect power.

3-Wire Cable from Power Supply to 3-Wire Cable from Cooktop (Refer to Figure 8.)

▲ IMPORTANT: Use the 3-wire cable from power supply where local codes permit connecting the frame-ground conductor to the neutral (white) junction box wire.



- a. 3-Wire Cable from Power Supply
- b. Red Wires
- c. Green or Bare Ground Wire (from Cooktop)
- d. 3-Wire Cable from Cooktop
- e. Junction Box
- f. White Wire (from Power Supply)
- g. UL Listed Wire Connector
- h. Black Wires
- i. UL Listed or CSA Approved Conduit Connector

1. Disconnect power
2. Remove junction box cover, if present.

3. Connect the flexible cable conduit from the cooktop to the junction box using a UL listed or CSA approved conduit connector.
4. Tighten screws on conduit connector if present.
5. Connect the two black wires together using the UL listed wire connectors.
6. Connect the two red wires together using the UL listed wire connectors.
7. Connect the green or bare cooktop cable wires to the white (neutral) wire in the junction box using the UL listed wire connectors.
8. Install junction box cover.
9. Reconnect power.

Complete Installation

1. Check that all parts are now installed. If there is an extra part, go back through the steps to see which step was skipped.
2. Check that you have all your tools.
3. Dispose of/recycle all packaging materials.
4. Use a mild solution of liquid household cleaner and warm water to clean cooktop before use. Dry thoroughly with a soft cloth. (For more information, refer to “Care and Maintenance” section on page 19.)
5. Read the “Operation Instruction” section on page 17.
6. Reconnect power.

▲ NOTE: If the cooktop does not work after turning on the power, check that a circuit breaker has not tripped or a household fuse has not blown. (Refer to “Troubleshooting” section on page 20.)

BEFORE USE

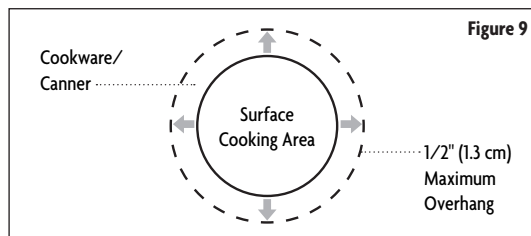
CERAMIC GLASS SURFACE

The surface cooking area will glow red when an element is on. However some parts of the surface cooking area may not glow red when an element is on. This is normal operation. The burner will cycle on and off to maintain the selected heat level and to keep the cooktop from reaching extreme temperatures.

It is normal for the surface of light colored ceramic glass to appear to change color when surface cooking areas are hot. As the glass cools, it will return to its original color.

Cleaning off the cooktop before and after each use will help keep it free from stains and provide the most even heating. On cooktops with light colored ceramic glass, soils and stains may be more visible, and may require more cleaning and attention. Cooktop cleaner and a cooktop scraper are recommended. (For more information, refer to "Care and Maintenance" section on page 19.)

- Avoid storing jars or cans above the cooktop. Dropping a heavy or hard object onto the cooktop could crack the cooktop.
- DO NOT leave a hot lid on the cooktop. As the cooktop cools, air can become trapped between the lid and the cooktop, and the ceramic glass could break when the lid is removed.
- Clean up all spills and soils as soon as possible. Allow the cooktop to cool down slightly. Then, while wearing oven mitts, remove the spills using a scraper while the surface is still warm. If sugary spills are allowed to cool down, they can adhere to the cooktop and can cause pitting and permanent marks.
- DO NOT slide cookware or bakeware across the cooktop. Aluminum or copper bottoms and rough finishes on cookware or bakeware could leave scratches or marks on the cooktop.
- DO NOT cook popcorn in prepackaged aluminum containers on the cooktop. They could leave aluminum marks that cannot be removed completely.
- DO NOT allow objects that could melt, such as plastic or aluminum foil, to touch any part of the entire cooktop.
- DO NOT use the cooktop as a cutting board.
- DO NOT cook foods directly on the cooktop.
- Use flat-bottomed cookware for best heat conduction and energy efficiency. Cookware with rounded, warped, ribbed or dented bottoms could cause uneven heating and poor cooking results.
- Determine flatness by placing the straight edge of a ruler across the bottom of the cookware. While you rotate the ruler, no space or light SHOULD be visible between it and the cookware.
- Cookware designed with slightly indented bottoms or small expansion channels can be used.
- Make sure the bottoms of pots and pans are clean and dry before using them. Residue and water can leave deposits when heated.
- Use cookware about the same size as the surface cooking area. Cookware SHOULD NOT extend more than 1/2" (1.3 cm) outside the area.



COOKWARE

▲ IMPORTANT: DO NOT leave empty cookware on a hot surface cooking area, element or surface burner.

Ideal cookware SHOULD have a flat bottom, straight sides, and a well-fitting lid and the material SHOULD be of medium-to-heavy thickness. Rough finishes may scratch the cooktop. Aluminum and copper may be used as a core or base in cookware. However, when used as a base they can leave permanent marks on the cooktop or grates.

Cookware material is a factor in how quickly and evenly heat is transferred, which affects cooking results. A nonstick finish has the same characteristics as its base material. For example, aluminum cookware with a nonstick finish will take on the properties of aluminum.

Use the following chart as a guide for cookware material characteristics.

Cookware	Characteristics
Aluminum	Heats quickly and evenly. Suitable for all types of cooking. Medium or heavy thickness is best for most cooking tasks.
Cast iron	Heats slowly and evenly. Good for browning and frying. Maintains heat for slow cooking.
Ceramic or Ceramic glass	Heats slowly, but unevenly. Ideal results on low to medium heat settings. Follow manufacturer's instructions.
Copper	Heats very quickly and evenly.
Earthenware	Use on low heat settings. Follow manufacturer's instructions.
Porcelain enamel-onsteel or cast iron	Refer to stainless steel or cast iron.
Stainless steel	Heats quickly, but unevenly. A core or base of aluminum or copper on stainless steel provides even heating.

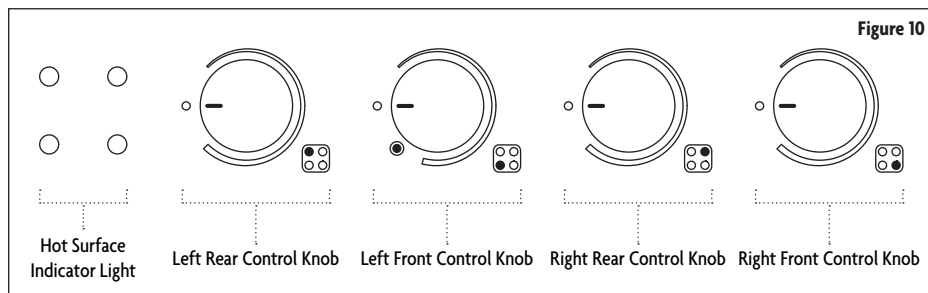
HOME CANNING

When canning for long periods, alternate the use of surface cooking areas, elements or surface burners between batches. This allows time for the most recently used areas to cool.

- Center the canner on the grate or largest surface cooking area or element. On electric cooktops, canners SHOULD NOT extend more than 1/2" (1.3 cm) beyond the surface cooking area or element.
- DO NOT place canner on 2 surface cooking areas, elements or surface burners at the same time.
- On ceramic glass models, use only flat-bottomed canners.
- On coil element models, the installation of a Canning Unit Kit is recommended. If a kit is not installed, the life of the coil element will be shortened.
- For more information, contact your local agricultural department. Companies that manufacture home canning products can also offer assistance.

OPERATION INSTRUCTIONS

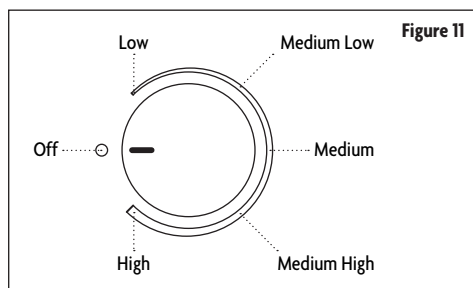
COOKTOP CONTROLS



▲ WARNING: Fire Hazard

- Turn off all controls when done cooking.
- Failure to do so can result in death or fire.

The control knobs can be set to anywhere between HIGH and LOW. Push in and turn to setting. The surface cooking area locator shows which element is turned on. (Refer to Figure 11 and the chart on the right for setting heat levels.)



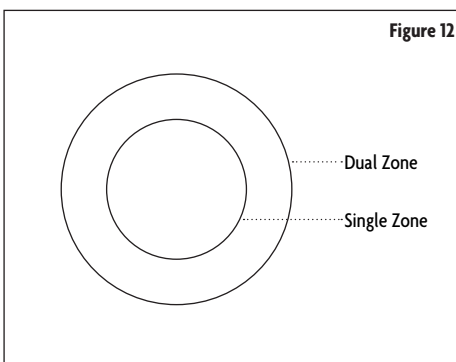
Setting	Recommended Use
Low	Keep food warm. Melt chocolate or butter. Low simmer using lids.
Medium Low	Stew or steam food. Simmer.
Medium	Maintain a slow boil. Fry or saute foods. Cook soups, sauces and gravies. High simmer or simmer without lids.
Medium High	Hold a rapid boil. Quickly brown or sear food.
High	Start food cooking. Bring liquid to a boil.
Dual Zone Element	Home canning. Large-diameter cookware. Large quantities of food.

Dual Zone Element

The dual zone elements offer flexibility depending on the size of the cookware. Single zone can be used in the same way as a regular element. The dual zone combine single and dual heating elements and are recommended for larger cookware, large quantities of food, and home canning.

For best High heat performance, match the cookware size to the size of heating element.

For best Low heat or Simmer performance, match the cookware size to the dual zone heating element and operate single zone heating element.

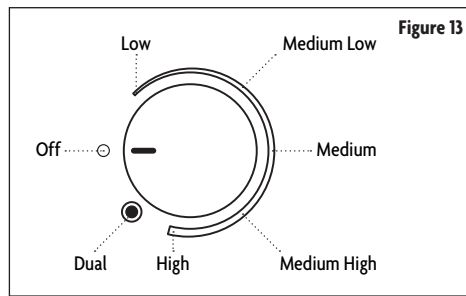


To Use SINGLE:

1. Push in and turn knob from the OFF position to the SINGLE zone anywhere between LOW and HIGH.
2. Turn knob to OFF position when finished.

To Use DUAL:

1. Push in and turn knob from the OFF position to the DUAL position.
2. Turn knob to OFF when finished.



Hot Surface Indicator Light

This unit features a Hot Surface Indicator Light. The Hot Surface Indicator Light will glow as long as any surface cooking area is too hot to touch, even after the surface cooking area(s) is turned off.

CARE AND MAINTENANCE

▲ WARNING: Before cleaning, make sure all controls are off and the oven and cooktop are cool. ALWAYS follow label instructions on cleaning products.

Use soap, water and a soft cloth or sponge unless otherwise noted.

CLEANING COOKTOP CONTROLS

To avoid damage to the cooktop controls, DO NOT use steel wool, abrasive cleansers or oven cleaner.

To avoid damage, DO NOT soak knobs.

When replacing knobs, make sure knobs are in the Off position.

DO NOT remove seals under knobs.

- Soap and water: Pull knobs straight away from control panel to remove.
- Dishwasher: Pull knobs straight away from control panel to remove.

CLEANING CERAMIC GLASS

To avoid damage to the cooktop, DO NOT use steel wool, abrasive powder cleansers, chlorine bleach, rust remover or ammonia.

Always wipe with a clean, wet cloth or sponge and dry thoroughly to avoid streaking and staining.

Light to Moderate Soil

- Paper towels or clean damp sponge.

Sugary Spills (Jellies, Candy, Syrup)

- Cooktop Scraper: Clean while the cooktop is still warm. You may want to wear oven mitts while doing so.
- Cooktop Polishing Creme and clean damp paper towel: Clean as soon as cooktop has cooled down. Rub creme into surface with a damp paper towel or soft cloth. Continue rubbing until white film disappears.

Heavy Soil, Dark Streaks, Specks and Discoloration

- Cooktop Polishing Creme or nonabrasive cleanser: Rub product into soil with a damp paper towel or soft cloth. Continue rubbing until white film disappears.

Burned-On Soil

- Cooktop Polishing Creme and Cooktop Scraper: Rub creme into soil with damp paper towel. Hold scraper as flat as possible on surface and scrape. Repeat for stubborn spots. Polish entire cooktop with creme and paper towel.

Metal Marks from Aluminum and Copper

- Cooktop Polishing Creme: Clean as soon as cooktop has cooled down. Rub creme into surface with a damp paper towel or soft cloth. Continue rubbing until white film disappears. The marks will not totally disappear but after many cleanings become less noticeable.

Tiny Scratches and Abrasions

- Cooktop Polishing Creme: Rub creme into surface with a damp paper towel or soft cloth. Continue rubbing until white film disappears. Scratches and abrasions do not affect cooking performance and after many cleanings become less noticeable.

TROUBLESHOOTING

Try the solutions suggested here first in order to avoid the cost of an unnecessary service call.

Problem	Possible Causes	Solutions
Nothing will operate	Has a household fuse blown, or has a circuit breaker tripped?	Replace the fuse or reset the circuit breaker. If the problem continues, call an electrician.
	Is the cooktop wired properly?	Refer to "Installation Instructions" on page 11.
Cooktop will not operate	Is the control knob set correctly?	Push in knob before turning to a setting.
Excessive heat around cookware on cooktop	Is the cookware the proper size?	Use cookware about the same size as the surface cooking area, element or surface burner. Cookware SHOULD NOT extend more than 1/2" (1.3 cm) outside the cooking area.
Cooktop cooking results not what expected	Is the proper cookware being used?	Refer to "Cookware" section on page 16.
	Is the control knob set to the proper heat level?	Refer to "Cooktop Controls" section on page 17.
	Is the cooktop level?	Level the cooktop. Refer to "Installation Instructions" on page 11.
A vapor is being emitted from the knobs of the cooktop	Is the cooktop in its first use(s)?	During the first use(s), a vapor may be seen exiting the holes around the knobs of the cooktop. This is normal and SHOULD disappear after use.



LIMITED WARRANTY

MC Appliance Corporation warrants each new Electric Cooktop to be free from defects in material and workmanship, and agrees to remedy any such defect or to furnish a new part(s), at the company's option, for any part(s) of the unit that has failed during the warranty period. Parts and labor expenses are covered on this unit for a period of one year from the date of purchase. A copy of the dated sales receipt/invoice is required to receive warranty service, replacement or refund.

This warranty covers appliances in use within the contiguous United States, Alaska, Hawaii and Puerto Rico. This warranty does not cover the following:

- Damages due to shipping damage or improper installation.
- Damages due to misuse or abuse.
- Content losses due to failure of the unit.
- Repairs performed by unauthorized service agents.
- Service calls that do not involve defects in material and workmanship such as instructions on proper use of the product or improper installation.
- Replacement or resetting of house fuses or circuit breakers.
- Failure of this product if used for other purposes than its intended purpose.
- Disposal costs for any failed unit not returned to our factory.
- Any delivery/installation costs incurred as the result of a unit that fails to perform as specified.
- Expenses for travel and transportation for product service if your appliance is located in a remote area where service by an authorized service technician is not available.
- The removal and reinstallation of your appliance if it is installed in an inaccessible location or is not installed in accordance with published installation instructions.
- Refunds for non repairable products are limited to the price paid for the unit per the sales receipt.
- This warranty is non transferable. This warranty applies only to the original purchaser and does not extend to any subsequent owner(s).

Limitations of Remedies and Exclusions:

Product repair in accordance with the terms herein, is your sole and exclusive remedy under this limited warranty. Any and all implied warranties including merchantability and fitness for a particular purpose are hereby limited to one year or the shortest period allowed by law. MC Appliance Corporation is not liable for incidental or consequential damages and no representative or person is authorized to assume for us any other liability in connection with the sale of this product. Under no circumstances is the consumer permitted to return this unit to the factory without the prior written consent of MC Appliance Corporation.

Some states prohibit the exclusion or limitation of incidental or consequential damages, or limitations on implied warranties. This warranty gives you specific legal rights, and you may also have other rights which vary from state to state.

Model	Parts	Labor	Type of Service
MCSCTE24BG	One Year	One Year	Carry In

For Service or Assistance please call **888-775-0202** or visit us on the web at www.mcappliance.com to request warranty service or order parts.



**CNA International, Inc. d/b/a MC Appliance Corporation. All rights reserved.
Magic Chef® logo is a registered trademark of CNA International, Inc.**

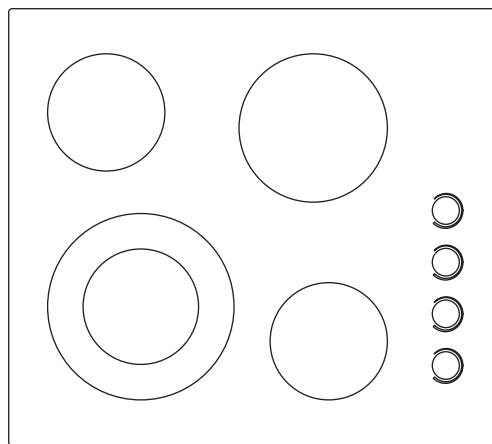
www.mcappliance.com

Printed in China



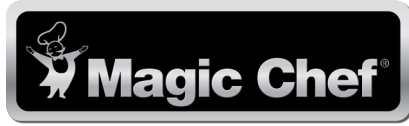
Placa de cocina eléctrica de 24 pulgadas

Manual del usuario



Modelo MCSCTE24BG

**LEA ESTE MANUAL ANTES DE UTILIZAR SU PLACA DE COCINA
ELÉCTRICA Y GUÁRDELO PARA FUTURA REFERENCIA.**



REGISTRACIÓN DEL PRODUCTO

Gracias por comprar el producto Magic Chef®. El primer paso para proteger su nuevo producto es completar la forma de registración en nuestra pagina web: www.mcappliance.com/register. Los beneficios de registrar su producto incluyen lo siguiente:

1. Al registrar su producto nos permite contactarle para notificarle de un cambio de seguridad o actualización del producto.
2. Si llegara a necesitar servicio bajo garantía, registrando su producto nos permite ser más eficiente en procesar el servicio.
3. En el evento que usted tenga una perdida que esta cubierto por un seguro, registrando su producto puede servir como prueba de su compra.

Una vez más gracias por comprar un producto marca Magic Chef.

ÍNDICE

REGISTRO DEL PRODUCTO	24
PRECAUCIONES	26
INSTRUCCIONES DE SEGURIDAD IMPORTANTES	27
ESPECIFICACIONES	29
PARTES Y FUNCIONES	30
REQUISITOS DE INSTALACIÓN	31
INSTRUCCIONES DE INSTALACIÓN	34
ANTES DE SU USO	38
INSTRUCCIONES DE FUNCIONAMIENTO	41
CUIDADO Y MANTENIMIENTO	43
SOLUCIÓN DE PROBLEMAS	45
GARANTÍA LIMITADA	46

PRECAUCIONES

EXPLICACIÓN DE LOS SÍMBOLOS

▲ ADVERTENCIA

Peligros o prácticas inseguras que PODRÍAN provocar lesiones personales graves o la muerte.

▲ PRECAUCIÓN

Peligros o prácticas inseguras que PODRÍAN provocar lesiones personales leves.

ESTE PRODUCTO ES SÓLO PARA USO DOMÉSTICO

▲ **ADVERTENCIA:** Lea y comprenda todas las precauciones de seguridad. La inobservancia de todas las instrucciones descritas en este manual del usuario podría resultar en descarga eléctrica, incendio y/o lesiones personales graves. Las advertencias, precauciones e instrucciones planteadas en este manual del usuario no cubren todas las eventuales condiciones y situaciones que podrían suscitarse.

INSTRUCCIONES DE SEGURIDAD IMPORTANTES

▲ ADVERTENCIA: Para reducir el riesgo de incendio, descarga eléctrica o lesiones personales al momento de utilizar la placa de cocina, siga precauciones básicas, incluyendo las siguientes.

▲ PRECAUCIÓN: NO almacene artículos de interés para los niños en los gabinetes arriba de la placa de cocina. Los niños que se suban a la placa de cocina para alcanzar artículos pueden resultar gravemente lesionados.

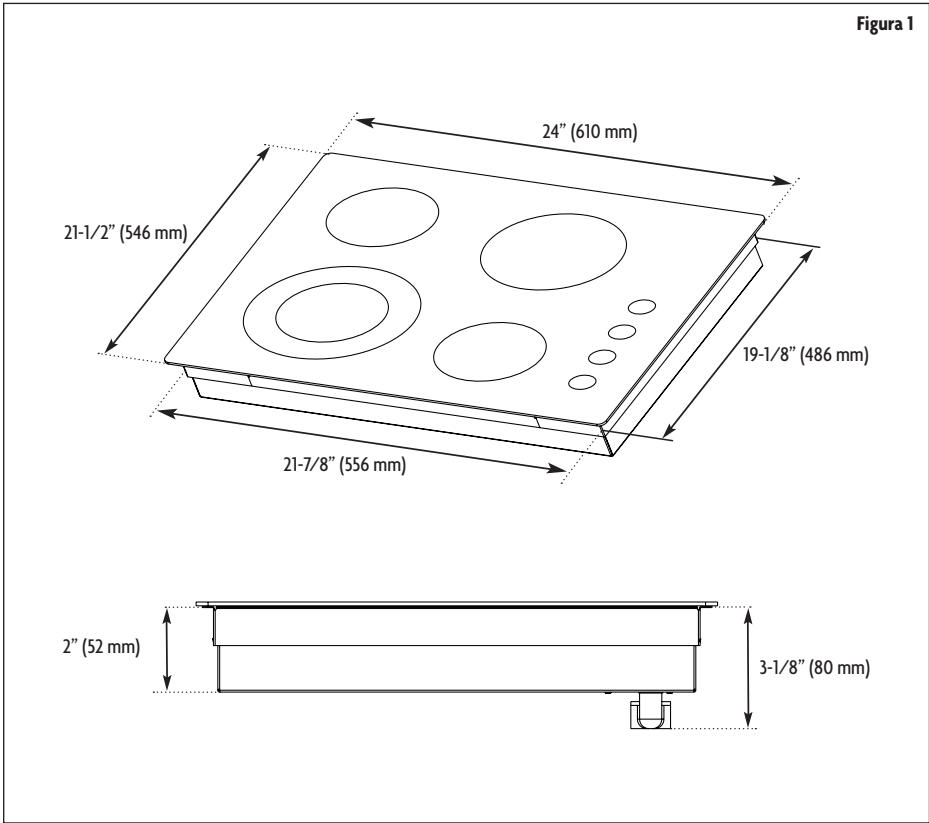
1. Asegúrese de que su placa de cocina esté correctamente instalada y conectada a tierra por un técnico calificado.
2. NO repare o cambie ninguna pieza la placa de cocina menos que esté específicamente recomendado en el manual. Todos los otros mantenimientos DEBEN ser realizados sólo por un técnico calificado.
3. Use vestimenta adecuada. Prendas sueltas o que cuelguen NUNCA DEBEN ser usadas mientras esté utilizando la placa de cocina.
4. Materiales inflamables NO DEBEN ser almacenados cerca de las unidades de la superficie.
5. Solo ciertos tipos de vidrio, vidrio / cerámica, cerámica, loza de barro cocido u otros utensilios vidriados/ esmaltados son adecuados para el uso de la placa de cocina sin quebrarse debido al cambio repentino de temperatura.
6. Los mangos de los utensilios DEBEN ser colocados hacia dentro y no extendidos sobre unidades de las superficies adyacentes. Para reducir el riesgo de quemaduras, ignición de materiales inflamables y derrames debido a contacto no intencional con el utensilio, el mango del utensilio DEBE estar posicionado de manera que esté hacia dentro y no se extienda sobre unidades de las superficies adyacentes.
7. NO utilice agua en incendios de grasa. Ahogue el incendio o la llama o utilice extinguidores de químicos secos o tipo espuma.
8. NUNCA deje las unidades de la superficie desatendidas cuando estén ajustada a fuego alto. Los derrames de hervores produciendo derrames grasosos y humeantes que pueden incendiarse.
9. NO deje a los niños solos. Los niños no DEBEN dejarse solos o desatendidos en el área donde la placa de cocina esté en uso. A ellos NUNCA DEBE permitirseles sentarse o pararse en ninguna parte de la placa de cocina.
10. NO toque las unidades de la superficie o áreas cerca de las unidades. Las unidades de la superficie pueden estar calientes incluso si ellas están en color oscuro. Las áreas cerca las unidades de la superficie puedan calentarse lo suficiente para causar quemaduras. Durante y después del uso, NO toque, o permita que la ropa u otros materiales inflamables hagan contacto con las unidades de la superficie o áreas cerca de las unidades hasta que ellas hayan tenido suficiente tiempo para enfriarse. Entre esas áreas están la placa de cocina y las superficies que están en frente de la placa de cocina.
11. Utilice sartén de tamaño adecuado. Esta placa de cocina está equipada con una o más unidades de superficie de diferentes tamaños. Seleccione utensilios que tengan la parte inferior plana suficientemente grande para cubrir el elemento calentador de las unidades de la superficie. El uso de utensilios de menor tamaño expondrá una porción del elemento calentador al contacto directo y podría resultar en la ignición de la ropa. La relación adecuada del utensilio con el quemador también mejorará la eficiencia.
12. Utilice sólo agarra ollas secos. Los agarra ollas húmedos o mojados en superficies calientes pueden resultar en quemaduras de vapor. NO permita que el agarra ollas toque los elementos calentadores calientes. NO utilice un paño u otra tela voluminosa.

13. NO cocine en una placa de cocina rota. Si la placa de cocina se rompiera, soluciones de limpieza y los derrames pueden penetrar la tabla de cocina rota y crear un riesgo de descarga eléctrica. Póngase en contacto con un técnico calificado inmediatamente.
14. NUNCA use su placa de cocina para calentar la habitación.
15. Limpie la placa de cocina con precaución. Si se utiliza una esponja húmeda o un paño para limpiar derrames en un área de cocción caliente, tenga cuidado para evitar quemaduras de vapor. Algunos limpiadores pueden producir vapores nocivos si se aplican a una superficie caliente. Precaución extrema DEBE ejercerse al utilizar utensilios o implementos de cocina construidos con cualquier otra cosa que no sea vidrio o metal resistente al calor del horno. NO coloque ninguna de las siguientes materiales en el horno: cartón, plástico, papel o cualquier cosa similar.

GUARDE ESTAS INSTRUCCIONES PARA FUTURAS REFERENCIAS

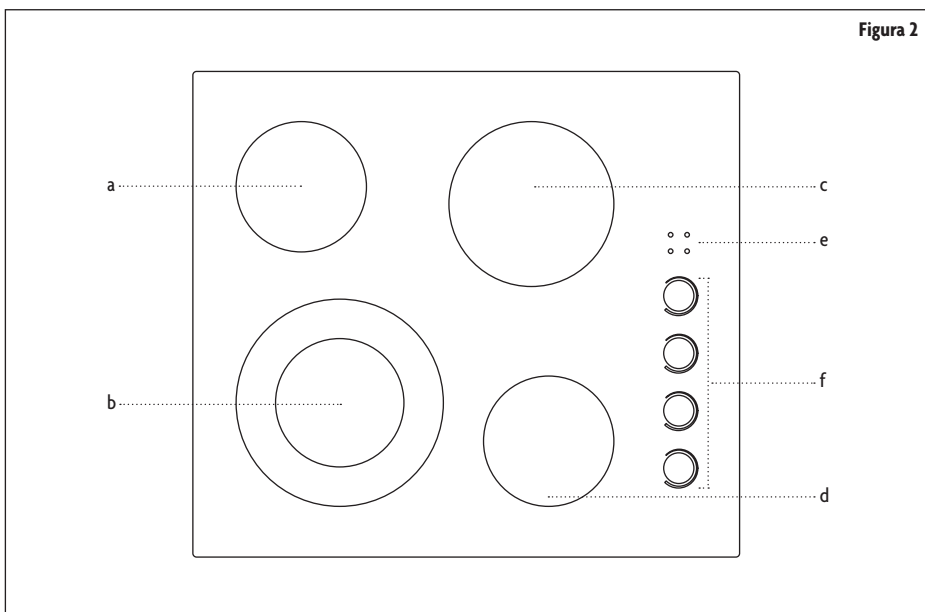
ESPECIFICACIONES

Figura 1



Ancho del vidrio	24,0" (610 mm)
Profundidad del vidrio	21,5" (546 mm)
Altura de la placa de cocina incluyendo el conductor (ubicado en la parte posterior de la superficie de placa de cocina, lado derecho)	3-1/8" (80 mm)
Ancho del marco	21-7/8" (556 mm)
Profundidad del marco	19-1/8" (486 mm)
Altura de la placa de cocina	2" (52 mm)
Peso neto	20 lbs. (9,3 kg)
Rango de voltaje	240 V, 60 Hz
Rango de potencia	6700 W

PARTES Y FUNCIONES



- a. Área de cocción individual
- b. Área de cocción individual / dual
- c. Área de cocción individual
- a. Área de cocción individual
- e. Luz indicadora de superficie caliente
- f. Perillas de control

REQUISITOS DE INSTALACIÓN

HERRAMIENTAS Y PIEZAS

Reúna las herramientas y las piezas necesarias antes de iniciar la instalación. Lea y siga las instrucciones suministradas con cualesquiera de las herramientas listadas aquí.

<u>Herramientas requeridas</u>	<u>Partes suministradas</u>	<u>Partes requeridas</u>
<ul style="list-style-type: none">• Cinta métrica• Llave de tuerca de 1/4" (6,35 mm)• Marcador o lápiz• Alicates• Destornillador plano	<ul style="list-style-type: none">• Rollo de tira de espuma• Soportes de sujeción (2)• Tornillos de sujeción de 2-1/2" (6,4 cm) (2)	<ul style="list-style-type: none">• Un conector de conducto listado UL o aprobado CSA de 1/2" (1,3 cm) de diámetro• Conectores de cables listados-UL

Verifique los códigos locales. Verifique el suministro eléctrico existente. (Consulte la sección «Requisitos eléctricos» en la página 32).

Se recomienda que todas las conexiones eléctricas sean hechas por un técnico calificado, licenciado.

REQUISITOS DE UBICACIÓN

▲ IMPORTANTE: Observe todos los códigos y las ordenanzas que rigen. Cuando instale la placa de cocina, utilice las dimensiones mínimas indicadas.

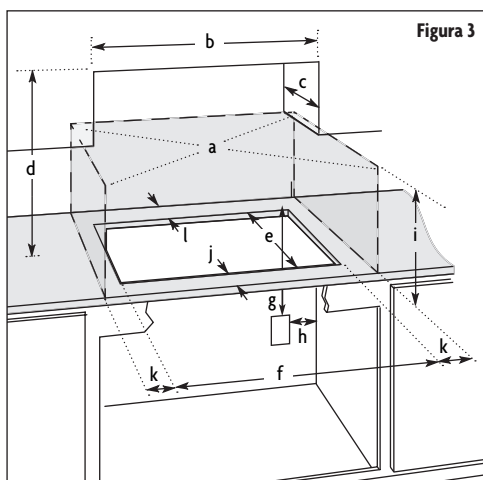
- Para eliminar el riesgo de quemaduras o incendio cuando las unidades de la superficie alcancen excesivo calor, se DEBE evitar ubicar gabinete de almacenaje encima de las unidades de la superficie. Si va a proporcionar gabinete de almacenaje, el riesgo puede reducirse mediante la instalación de una campana extractora que se proyecte horizontalmente un mínimo de 5" (12,7 mm) más allá de la parte inferior de los gabinetes.
- La placa de cocina DEBE ser una placa de cocina específica que esté aprobada para ser instalada tanto sola como sobre un horno empotrado debajo la encimera. Verifique la base de la placa de cocina para ver la etiqueta de instalación aprobada. Si usted no encuentra esta etiqueta, póngase en contacto con su distribuidor para confirmar que su placa de cocina está aprobada.
- La placa de cocina DEBE ser instalada en una encimera nivelada.
- Los hornos aprobados para este tipo de instalación tendrán una etiqueta de aprobación ubicada en la parte de arriba del horno. Si usted no encuentra esta etiqueta, póngase en contacto con su distribuidor para confirmar que su horno está aprobado. (Consulte las instrucciones de instalación del fabricante del horno para la aprobación de uso empotrado debajo de la encimera y las dimensiones de recorte apropiadas).
- La placa de cocina DEBE ser instalada lejos de áreas de corrientes fuertes, tales como ventanas, puertas, ventiladores o ductos de calefacción fuerte. La placa de cocina DEBE ser ubicada para uso conveniente en el cuarto de cocina.
- Use las dimensiones de abertura de la encimera que están dadas con estas instrucciones de instalación. Las dimensiones dadas son las distancias mínimas y proporcionan 0" (0 cm) de espacio libre.
- Se requiere suministro eléctrico conectado a tierra. (Consulte la sección «Requisitos eléctricos» en la página 32).

REQUISITOS DE UBICACIÓN

▲ IMPORTANTE: Si instala una campana extractora o la combinación de microondas y campana extractora sobre la placa de cocina, siga las instrucciones de instalación de la campana extractora o de la combinación de microondas y campana extractora para las dimensiones de los espacios libres sobre la placa de cocina.

▲ NOTA: Después de hacer el recorte de la encimera, algunas instalaciones pueden requerir hacer una muesca a las paredes de los lados del gabinete de base para fijar la base de la placa de cocina. Para evitar esta modificación, utilice un gabinete de base con paredes laterales más grandes que el recorte.

- a. Área de combustión arriba de la encimera
- b. Ancho recomendado de los gabinetes de arriba: 24" (61 cm)
- c. Profundidad recomendada de los gabinetes de arriba: 13" (33 cm)
- d. Distancia mínima de 30" (76,2 cm) entre la parte de arriba de la plataforma de la placa de cocina y la parte descubierta del fondo del gabinete de metal o madera 24" [61 cm] distancia mínima si la parte del fondo del gabinete de metal o madera está cubierto por no menos de 1/4" [0,6 cm] con protector de placa cortafuego retardante de llama de lámina de acero MSG no inferior que N° 28, de acero inoxidable 0,015" [0,04 cm], o de aluminio 0,024" [0,06 cm] o de cobre 0,020" [0,05 cm])



- e. Profundidad de recorte recomendada: 19-1/4" (49,0 cm) La placa de cocina entrará en un recorte de 19-1/8" a 19-5/16" (48,6 a 49,0 cm).
- f. Ancho de recorte recomendado: 22" (56,0 cm) La placa de cocina entrará en un recorte de 21-7/8" a 22-1/8" (55,6 a 56,2 cm).
- g. Distancia mínima desde la parte superior de la encimera a la caja de conexión o tomacorriente: 7" (17,8 cm)
- h. Distancia máxima del lado derecho del gabinete a la caja de conexión o tomacorriente: 9" (23,0 cm).
- i. Espacio mínimo del gabinete superior a la encimera con un espacio horizontal mínimo a la placa de cocina: 18" (45,7 cm)
- j. Espacio mínimo entre el borde del frente y la encimera: 2" (5,1 cm)
- k. Espacio mínimo a la parte más cercana del lado izquierdo y derecho de la superficie de combustión encima de la placa de cocina: 2" (5,1 cm)
- l. Espacio mínimo entre la pared posterior y la encimera: 2" (5,1 cm)

▲ NOTA: Si el gabinete tiene una gaveta, se requiere una distancia de profundidad de 5-1/2" (14,0 cm) desde la parte superior de la encimera a la parte superior de la gaveta (u otra obstrucción) en el gabinete base.

REQUISITOS ELÉCTRICOS

▲ ADVERTENCIA: Peligro de descarga eléctrica

- Desconecte la electricidad antes de realizar mantenimiento.
- Utilice cable de cobre calibre 8.
- Placa de cocina conectada a tierra eléctricamente.

- No seguir estas instrucciones puede resultar en muerte, incendio o descarga eléctrica.

Si los códigos permiten un cable a tierra separado, se recomienda que un técnico calificado determine que la descarga a tierra y el cable calibrado estén de conformidad con los códigos locales.

Verifique con un técnico calificado si usted no está seguro si la placa de cocina está correctamente conectada a tierra.

Asegúrese de que la conexión a tierra conexión y el tamaño del cable sean adecuados y estén de conformidad con el Código Eléctrico Nacional, ANSI/NFPA 70 - última edición o el CSA Estándar C22.1-94, o el Código Eléctrico Canadiense, Parte 1 y C22.2 No. O-M91-última edición y todos los códigos locales y ordenanzas.

Antes de que usted haga la conexión eléctrica

Para instalar correctamente su placa de cocina, usted DEBE determinar el tipo de conexión eléctrica que estará usando y seguir las instrucciones suministradas para ello aquí.

- Se requiere un suministro eléctrico de 3 cables o 4 cables, monofásico, 120/240 voltios, 60-Hz., solo AC en un circuito separado de 40-amp con fusibles a ambos lados de la línea. La placa de clasificación del número del modelo / serial está ubicada en el gabinete de metal debajo de la placa de cocina.
- La placa de cocina está clasificada 120/240 voltios. Algunos modelos tienen un cable neutro (blanco).
- La placa de cocina DEBE ser conectada directamente a la caja de conexión a través de un cable de cobre flexible, armado o no metálico enfundado. El cable flexible, armado que se extiende desde la caja de fusibles o la caja de interruptores DEBE ser conectado directamente a la caja de conexión.
- Ubique la caja de conexión para permitir tanta soltura como sea posible entre la caja de conexión y la placa de cocina de manera que la placa de cocina pueda ser movida si es necesario hacer mantenimiento en el futuro.
- NO corte el conducto. Utilice el largo de conducto suministrado.
- Un conector de conducto listado UL o aprobado CSA DEBE ser provisto al final de cada cable de suministro eléctrico (en la placa de cocina y en la caja de conexión). Un conector de conducto listado ya está suministrado en la placa de cocina.
- Si la casa tiene cableado de aluminio, siga el procedimiento que aparece abajo:
 1. Conecte una parte del cable de cobre sólido a los cables de acople (pigtail).
 2. Conecte el cable de aluminio a la sección añadida de cable de cobre empleando un conector especial y/o las herramientas designadas y listadas UL para unir cobre a aluminio.
- Siga el procedimiento recomendado por el fabricante del conector eléctrico. La conexión cobre / aluminio DEBE estar conforme a los códigos locales y las prácticas de cableado aceptadas por la industria.

INSTRUCCIONES DE INSTALACIÓN

PREPARACIÓN DE LA PLACA DE COCINA PARA INSTALACIÓN

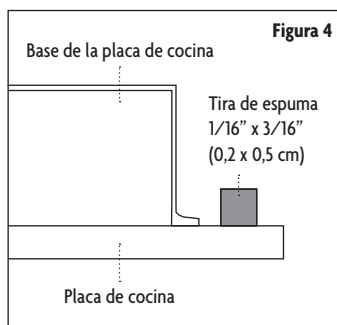
▲ **ADVERTENCIA:** Peligro de peso excesivo

- Use dos o más personas para mover e instalar la placa de cocina.
- De no hacerlo podría resultar en lesión de la espalda u otra lesión.

Decida la ubicación final de la placa de cocina. Evite perforar o cortar el cableado existente durante la instalación.

1. Empleando 2 o más personas, coloque la placa de cocina al revés en una superficie cubierta utilizando las protecciones laterales de espuma del embalaje. Asegúrese de que las perillas no estén descansando en la espuma.
2. Remueva el rollo de tira de espuma del paquete que contiene documentación. Retire una tira a la vez y aplique la tira de espuma autoadhesiva hacia abajo alrededor de la parte inferior de vidrio de la placa de cocina. (Consulte la Figura 4).

▲ **NOTA:** La tira de espuma ayuda a prevenir daños al fondo de la placa de cocina de restos y ayuda a la placa de cocina a quedar plana en mesadas irregulares.



INSTALACIÓN DE LA PLACA DE COCINA

Tipo 1: La placa de cocina sobre un horno empotrado debajo de la encimera

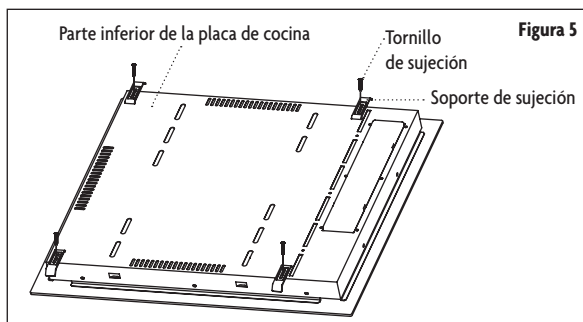
Usando 2 o más personas, coloque la placa de cocina por el lado correcto hacia arriba en el recorte.

▲ **IMPORTANTE:** Los soportes de sujeción **NO DEBEN** ser utilizados.

▲ **NOTA:** Asegúrese de que el borde del frente de la placa de cocina esté paralelo con el borde del frente de la encimera. Si es necesario reposicionarla, levante toda la placa de cocina del recorte para evitar rayar la encimera.

Tipo 2: Placa de cocina sobre gabinetes

1. Determine si la construcción de su gabinete suministra espacio para instalar los soportes de sujeción a los extremos de la base de la placa de cocina. (Consulte la Figura 3 en la página 32).
2. Los soportes de sujeción **DEBEN** instalarse después de que la placa de cocina sea colocada en el recorte. (Consulte la Figura 5).



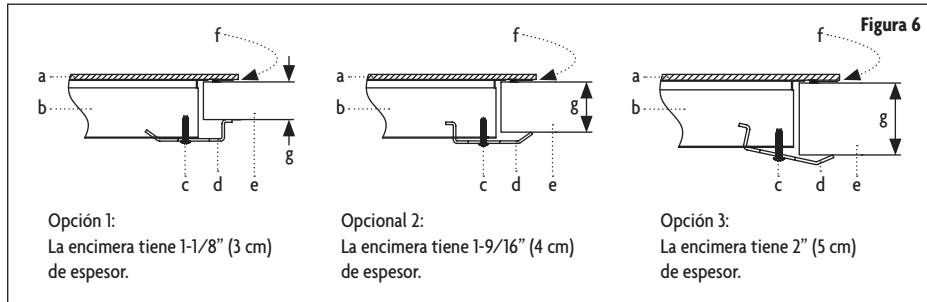
Instalación de los soportes después de colocar la placa de cocina en el recorte

1. Usando 2 o más personas, coloque la placa de cocina por el lado correcto hacia arriba en el recorte.

▲ **NOTA:** Asegúrese de que el borde del frente de la placa de cocina esté paralelo con el borde del frente de la encimera. Si es necesario reposicionarla, levante toda la placa de cocina del recorte para evitar rayar la encimera.

2. Retire los soportes seleccionados de la parte inferior de la base de la placa de cocina.

3. Seleccione las ubicaciones de los soportes de montaje que permitirán al soporte extenderse suficientemente afuera de la placa de cocina para la instalación de los tornillos de sujeción. (Consulte la Figura 6).
4. Fije los soportes a la parte inferior de la base de la placa de cocina con los tornillos de soporte de sujeción utilizando los orificios de montaje del soporte. Apriete firmemente los tornillos.



- | | |
|---|---------------------------|
| a. Placa de cocina | e. Encimera |
| b. Base de la placa de cocina | f. Sello de espuma |
| c. Tornillo de sujeción | g. Espesor de la encimera |
| d. Soporte de sujeción (Se extiende suficientemente afuera de la base de la placa de cocina para permitir la instalación de los tornillos de sujeción). | |

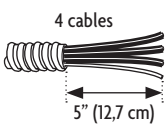
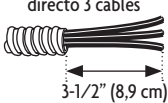
REALIZAR LA CONEXIÓN ELÉCTRICA

⚠ ADVERTENCIA: Peligro de descarga eléctrica

- Desconecte la electricidad antes de realizar mantenimiento.
- Utilice cable de cobre calibre 8.
- Placa de cocina conectada a tierra eléctricamente.
- No seguir estas instrucciones puede resultar en muerte, incendio o descarga eléctrica.

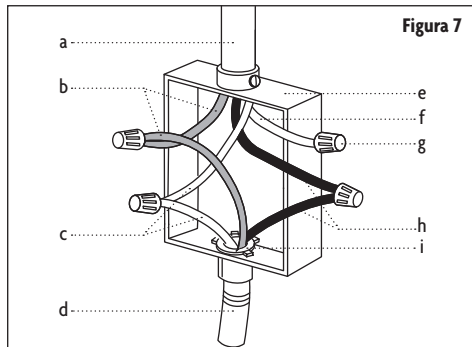
Esta placa de cocina ha sido fabricada con un marco conectado, cable verde o sin recubrimiento conectado a tierra. Conecte el cable de la placa de cocina a la caja de conexión a través del conector de conducto listado UL o aprobado CSA.

Opciones de conexión eléctrica

Si su casa tiene	Y usted se estará conectando a	Vaya directo a la Sección
<p>4 cables</p>  <p>5" (12,7 cm)</p>	Un fusible desconectado o caja de interruptores	Cable de 4 hilos desde el suministro eléctrico al cable de 3 hilos desde la placa de cocina (página 36)
<p>directo 3 cables</p>  <p>3-1/2" (8,9 cm)</p>	Un fusible desconectado o caja de interruptores	Cable de 3 hilos desde el suministro eléctrico al cable de 3 hilos desde la placa de cocina (página 36)

Cable de 4 hilos desde el suministro eléctrico al cable de 3 hilos desde la placa de cocina (Consulte la Figura 7).

▲ IMPORTANTE: Utilice el cable de 4 hilos desde el suministro eléctrico donde los códigos locales no permiten conectar el conductor a tierra del marco al cable neutro (blanco) de la caja de conexión.



- a. Cable de 4 hilos desde el suministro eléctrico
- b. Cables rojos
- c. Cable verde o cable sin recubrimiento conectado a tierra (desde la placa de cocina)
- d. Cable de 3 hilos desde la placa de cocina
- e. Caja de conexión
- f. Cable blanco (desde el suministro eléctrico)
- g. Conector de cable Listado UL
- h. Cables negros
- i. Conector de conducto listado UL o aprobado CSA

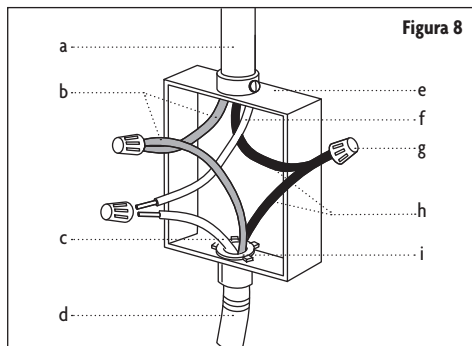
1. Desconecte la electricidad
2. Quite la tapa de la caja de conexión de estar presente.
3. Conecte el conducto de cable flexible desde la placa de cocina a la caja de conexión usando un conector de conducto listado UL o aprobado CSA.
4. Apriete los tornillos en el conector de conducto, si están presentes.
5. Conecte los dos cables negros juntos utilizando los conectores de cable listados UL.
6. Conecte los dos cables rojos juntos utilizando los conectores de cable listados UL.
7. Conecte el cable verde o sin recubrimiento conectado a tierra desde el cable de la placa de cocina al cable verde o sin recubrimiento conectado a tierra (en la caja de conexión) utilizando los conectores de cable listados UL.
8. Coloque un conector de cable listado UL en la parte final del cable blanco.

▲ NOTA: NO conecte el cable sin recubrimiento conectado a tierra al cable neutro (blanco) en la caja de conexión.

9. Instale la tapa de la caja de conexión.
10. Reconecte la electricidad.

Cable de 3 hilos desde el suministro eléctrico al cable de 3-hilos desde la placa de cocina (Consulte la Figura 8.)

▲ IMPORTANTE: Use el cable de 3 hilos desde el suministro eléctrico donde los códigos locales permitan conectar el conductor a tierra del marco al cable neutro (blanco) de la caja de conexión.



- a. Cable de 3 hilos desde el suministro eléctrico
- b. Cables rojos
- c. Cable verde o cable sin recubrimiento conectado a tierra (desde la placa de cocina)
- d. Cable de 3 hilos desde la placa de cocina
- e. Caja de conexión
- f. Cable blanco (desde el suministro eléctrico)
- g. Conector de cable Listado UL
- h. Cables negros
- i. Conector de conducto listado UL o aprobado CSA

1. Desconecte la electricidad
2. Quite la tapa de la caja de conexión, si está presente.
3. Conecte el conducto de cable flexible desde la placa de cocina a la caja de conexión usando un conector de conducto listado UL o aprobado CSA.
4. Apriete los tornillos en el conector de conducto, si están presentes.
5. Conecte los dos cables negros juntos utilizando los conectores de cable listados UL.
6. Conecte los dos cables rojos juntos utilizando los conectores de cable listados UL.
7. Conecte el cable verde o los hilos del cable sin recubrimiento de la placa de cocina al blanco (neutro) en la caja de conexión utilizando los conectores de cable listados UL.
8. Instale la tapa de la caja de conexión.
9. Reconecte la electricidad.

Instalación completa

1. Verifique que todas las partes están ahora instaladas. Si hay una parte extra, vuelva a realizar los pasos para ver cuál de los pasos fue omitido.
2. Verifique que usted tenga todas sus herramientas.
3. Elimine / recicle el material de embalaje.
4. Use una solución suave de limpiador de casa líquido y agua tibia para limpiar la placa de cocina antes de usar. Seque completamente con un paño suave. (Para mayor información, consulte la sección «Cuidado y mantenimiento» en la página 43).
5. Lea la sección «Instrucciones de funcionamiento» en la página 41.
6. Reconecte la electricidad.

▲ NOTA: Si la placa de cocina no funciona después de encender el suministro eléctrico, verifique que el interruptor no se haya disparado o un fusible de la casa no se haya fundido. (Consulte la sección «Solución de problemas» en la página 45).

ANTES DE USAR

SUPERFICIE DE VIDRIO CERÁMICO

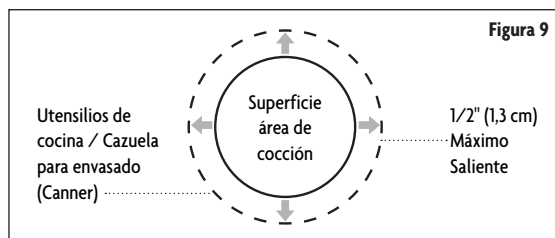
El área de la superficie de cocción se iluminará de rojo cuando un elemento esté encendido. Sin embargo, algunas partes del área de la superficie de cocción podrían no iluminarse de rojo cuando el elemento esté encendido. Esto es funcionamiento normal. El quemador hará ciclo de encendido y apagado para mantener el nivel de calor seleccionado y para impedir que la placa de cocina alcance temperaturas extremas.

Es normal que la superficie con vidrio cerámico claro pareciera cambiar de color cuando las áreas de las superficies de cocción están calientes. Conforme el vidrio se enfríe, regresará a su color original.

Limpiar la placa de cocina antes y después de cocinar ayudará a mantenerla libre de manchas y proveerá el calor más uniforme. En las placas de cocina con vidrio cerámico claro, los sucios y las manchas pueden ser más visibles, y pueden requerir más limpieza y atención. Se recomiendan el limpiador para placa de cocina y la espátula para placa de cocina. (Para mayor información, consulte la sección «Cuidado y mantenimiento» en la página 43).

- Evite almacenar frascos o latas encima de la placa de cocina. Dejar caer un objeto pesado o duro en la placa de cocina puede agrietar la placa de cocina.
- NO deje una tapa caliente sobre la placa de cocina. Conforme la placa de cocina se enfríe, el aire puede quedar atrapado entre la tapa y la placa de cocina, y el vidrio cerámico se puede romper cuando la tapa sea retirada.
- Limpie todos los derrames y sucios tan pronto como sea posible. Permita que la placa de cocina se enfríe un poco. Luego, usando guantes de cocina, remueva los derrames utilizando la espátula mientras la superficie esté todavía tibia. Si se permite que los derrames azucarados se enfríen, se pueden adherir a la placa de cocina y causar marcas permanentes.
- NO deslice utensilios o implementos de cocina a través de la placa de cocina. Las partes inferiores de aluminio o cobre y los acabados ásperos en los utensilios o implementos de cocina pueden dejar rayones o marcas en la placa de cocina.
- NO cocine palomitas de maíz en contenedores preenvasados de aluminio en la placa de cocina. Ellos pueden dejar marcas de aluminio que no se pueden remover completamente.
- NO permita que objetos que se puedan fundir, tales como plástico o papel aluminio toquen cualquier parte de toda la placa de cocina.
- NO utilice la placa de cocina como tabla de cortar.
- NO cocine alimentos directamente en la placa de cocina.
- Utilice utensilios de cocina con fondo plano para la mejor conducción de calor y eficiencia de la energía. Utensilios de cocina con fondos redondeados, deformados, acanalados o abollados podrían causar calentamiento desigual y pobres resultados.
- Determine la condición plana colocando el borde recto de una regla a lo largo de la parte inferior del utensilio de cocina. Mientras usted gire la regla, NO DEBERÍA ser visible ningún espacio o luz entre la regla y el utensilio de cocina.
- Utensilios de cocina diseñados con la parte inferior ligeramente redondeada o con pequeños canales de expansión pueden ser usados.
- Asegúrese de que las partes inferiores de las cacerolas y sartenes estén limpias y secas antes de usarlas. Los residuos de agua pueden dejar depósitos cuando se calientan.

- Emplee utensilios de cocina con aproximadamente el mismo tamaño que la superficie del área de cocción. Los utensilios de cocina NO DEBEN extenderse más que 1/2" (1,3 cm) fuera del área.



UTENSILIOS DE COCINA

▲ IMPORTANTE: NO deje utensilios de cocina de cocina vacíos en una superficie caliente del área de cocción, elemento o superficie del quemador.

Los utensilios de cocina ideales DEBEN tener el fondo plano, lados rectos y un tapa que encaje bien y el material DEBE ser de espesor mediano a pesado. Los acabados ásperos pueden rayar la placa de cocina. Aluminio y cobre pueden ser utilizados como centro o base en los utensilios de cocina. Sin embargo, cuando son utilizado como base ellos pueden dejar marcas permanentes en la placa de cocina o parrillas.

El material de los utensilios de cocina es un factor sobre cuán rápido y uniforme el calor es trasferido, lo cual afecta los resultados de cocción. A el terminado antiadherente tiene las mismas características que su material base. Por ejemplo, los utensilios de cocina de aluminio con un terminado antiadherente tomarán las propiedades del aluminio.

Utilice el siguiente cuadro como guía para las características de los materiales de los utensilios de cocina.

Utensilios de cocina	Características
Aluminio	Se calienta rápidamente y uniformemente. Adecuado para todos los tipos de cocina. Espesor mediano o grueso es mejor para la mayoría de las tareas de cocina.
Hierro fundido	Caliente lentamente y uniformemente. Bueno para dorar y freír. Mantiene el calor para la cocción lenta.
Cerámica o vidrio cerámico	Calienta despacio, pero no uniformemente. Resultados ideales en posición de ajuste de calor bajo a medio. Siga las instrucciones del fabricante.
Cobre	Calienta rápidamente y uniformemente.
Loza de barro cocido	Utilice en posición de ajuste de calor bajo. Siga las instrucciones del fabricante.
Esmaltado de porcelana en acero o hierro fundido	Consulte en acero inoxidable o hierro fundido.
Acero inoxidable	Calienta rápidamente, pero uniformemente. Un centro o base de aluminio o cobre en acero inoxidable proporciona calor uniforme.

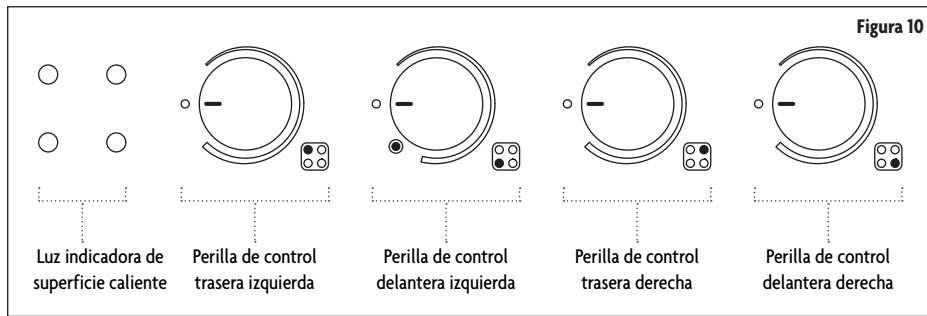
ENVASADO EN EL HOGAR

Cuando haga envasado por periodos largos, alterne el uso de las áreas de superficie de cocción, elementos o superficies de quemadores entre los lotes. Esto permite tiempo para enfriar las áreas utilizadas más recientemente.

- Centre el envasado en la parrilla o el área de superficie de cocción más grande o elemento. En la placa de cocina, las cazuelas para envasado NO DEBEN extenderse más de 1/2" (1,3 cm) más allá del área de la superficie de cocción o elemento.
- NO coloque las cazuelas para envasado en 2 áreas de superficie de cocción, elementos o superficies de quemadores al mismo tiempo.
- En los modelos de vidrio cerámico, sólo utilice ollas para proceso de envasado con la parte inferior plana.
- En los modelos con elementos de resistencia, se recomienda la instalación de un kit de unidad de envasado. Si no se instala el kit, la vida del elemento de resistencia será reducida.
- Para mayor información, contacte su departamento de agricultura local. Las compañías que fabrican productos para envasado en el hogar también pueden ofrecer asistencia.

INSTRUCCIONES DE FUNCIONAMIENTO

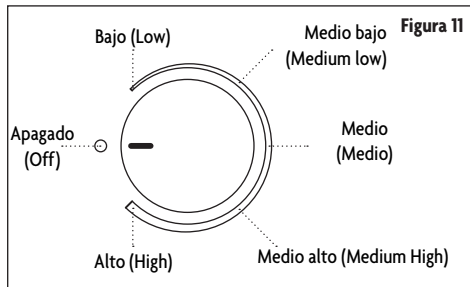
CONTROLES DE LA PLACA DE COCINA



⚠ ADVERTENCIA: Seguridad contra incendios

- Apague todos los controles cuando esté cocinando.
- De no hacerlo puede resultar en muerte o incendio.

Las perillas de control pueden ser ajustadas a cualquier posición entre ALTO (HIGH) y BAJO (LOW). Presione y gire para ajustarla. Los localizadores de área de superficie de cocción muestran qué elemento está encendido. (Consulte la Figura 11 y el cuadro a la derecha para ajuste de los niveles de calor).



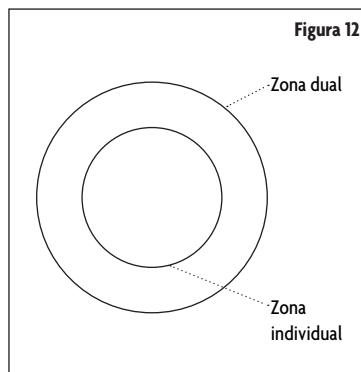
Ajuste	Uso recomendado
Bajo (Low)	Mantener tibios los alimentos. Derretir chocolate o mantequilla. Cocinar a fuego lento utilizando tapas.
Medio bajo (Medium low)	Alimentos guisados o al vapor. Hervir a fuego lento.
Medio (Medio)	Mantener un hervor bajo. Freír o saltear alimentos. Cocinar sopas, salsas y salsa espesa / de carne. Hervir a fuego alto o hervir sin usar tapas.
Medio alto (Medium High)	Mantener un hervor rápido. Dorar rápidamente o sellar el alimento.
Alto (High)	Comenzar la cocción de los alimentos. Llevar el líquido a hervor.
Elemento de zona dual	Envasado en el hogar. Utensilios de cocina de gran diámetro. Grandes cantidades de alimentos.

Elemento de zona dual

Los elementos de zona dual ofrecen flexibilidad dependiendo del tamaño del utensilio de cocina. La zona individual puede ser usada de la misma manera que un elemento regular. La zona dual combina elementos calentadores individuales y duales y se recomiendan para utensilios de cocina más grandes, grandes cantidades de alimentos y para envasado en el hogar.

Para mejor rendimiento de calor alto, haga coincidir el tamaño del utensilio de cocina con el tamaño del elemento calentador.

Para mejor calor bajo o rendimiento al cocinar a fuego lento, haga coincidir el tamaño del utensilio de cocina con el del elemento calentador de zona dual y encienda el elemento calentador de la zona individual.

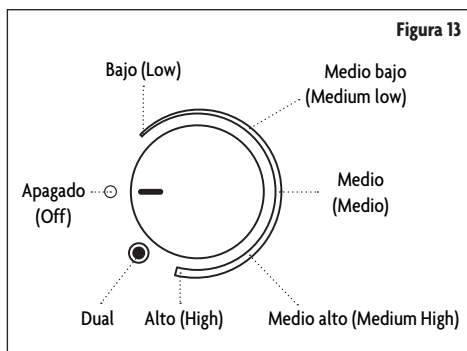


Para usar el INDIVIDUAL:

1. Presione y gire la perilla desde la posición de APAGADO (OFF) a la zona INDIVIDUAL en cualquier lugar entre BAJO y ALTO.
2. Gire la perilla a la posición de APAGADO (OFF) cuando haya finalizado.

Para usar el DUAL:

1. Presione y gire la perilla desde la posición de APAGADO (OFF) a la posición DUAL.
2. Gire la perilla a la posición de APAGADO (OFF) cuando haya finalizado.



Luz indicadora de superficie caliente

Esta unidad cuenta con una función de luz indicadora de superficie caliente. La luz indicadora de superficie caliente se encenderá por el tiempo que cualquier superficie de área de cocción esté muy caliente para tocar, incluso hasta después de que el(las) área(s) de la(s) superficie(s) de cocción se haya(n) apagado.

CUIDADO Y MANTENIMIENTO

⚠ ADVERTENCIA: Antes de limpiar, asegúrese de que todos los controles estén apagados y el horno y la placa de cocina estén fríos. SIEMPRE siga las instrucciones en la etiqueta de los productos de limpieza.

Utilice jabón, agua, y un paño suave o esponja, a menos que se indique lo contrario.

LIMPIEZA DE LOS CONTROLES DE LA PLACA DE COCINA

Para evitar daños a los controles de la placa de cocina, NO use lana de acero, limpiadores abrasivos o limpiadores de horno.

Para evitar daños, NO remoje las perillas.

Cuando sustituya las perillas, asegúrese de que las perillas estén en la posición de apagado.

NO retire los sellos debajo de las perillas.

- Agua y jabón: Hale la perilla directo hacia afuera del panel de control para retirarla.
- Lavavajilla: Hale la perilla directo hacia afuera del panel de control para retirarla.

LIMPIEZA DEL VIDRIO CERÁMICO

Para evitar daños a la placa de cocina, NO utilice lana de acero, limpiadores abrasivos en polvo, blanqueadores de cloro, removedor corrosivo o amoníaco.

Siempre limpie con un paño o esponja limpio y húmedo y seque completamente para evitar ralladuras y manchas.

Sucio leve a moderado

- Papel absorbente o esponja húmeda limpia.

Derrames azucarados (jaleas, caramelos, sirope)

- Espátula para placa de cocina: Limpie mientras que la placa de cocina esté todavía tibia. Puede que usted quiera usar guantes de cocina mientras lo hace.
- Crema de pulir la placa de cocina y papel absorbente limpio y húmedo: Limpie tan pronto como la placa de cocina se haya enfriado. Frote crema en la superficie con un papel absorbente húmedo o paño suave. Continúe frotando hasta que la película blanca desaparezca.

Sucio acumulado, rayas oscuras, manchas y decoloración

- Crema de pulir placa de cocina o limpiador no abrasivo: Frote producto en el sucio con un papel absorbente o paño suave húmedo. Continúe frotando hasta que la película blanca desaparezca.

Sucio quemado

- Crema para pulir la placa de cocina y espátula para placa de cocina: Frote crema en el sucio con una papel absorbente húmedo. Mantenga la espátula tan plana como sea posible en la superficie y raspe. Repita para manchas rebeldes. Pula enteramente la placa de cocina con crema y papel absorbente.

Marcas metálicas de cobre y aluminio

- Crema para pulir placa de cocina: Limpie tan pronto como la placa de cocina se haya enfriado. Frote crema en la superficie con un papel absorbente húmedo o paño suave. Continúe frotando hasta que la película blanca desaparezca. Las marcas no desaparecerán totalmente pero después de varias limpiezas se harán menos notables.

Pequeñas ralladuras y abrasiones

- Crema para pulir placa de cocina: Frote crema en la superficie con un papel absorbente húmedo o paño suave. Continúe frotando hasta que la película blanca desaparezca. Las rayones y abrasiones no afectan el rendimiento de cocción y luego de varias limpiezas se hacen menos notables.

SOLUCIÓN DE PROBLEMAS

Pruebe primero con las soluciones aquí sugeridas a efectos de evitar el costo innecesario de las llamadas de mantenimiento.

Problema	Posibles causas	Soluciones
Nada funciona	¿Tiene un fusible de la casa fundido, o se disparó un interruptor?	Reemplace el fusible o reestablezca el interruptor. Si el problema continua, llame a un electricista.
	¿La placa de cocina está cableada correctamente?	Consulte las «Instrucciones de instalación» en la página 34.
La placa de cocina no funciona.	¿La perilla de control está colocada en forma correcta?	Presione la perilla antes de girarla a una configuración.
Calor excesivo alrededor del utensilio de cocina en la placa de cocina.	¿El utensilio de cocina es de tamaño adecuado?	Emplee utensilios de cocina de aproximadamente el mismo tamaño que la superficie del área de cocción, elemento o superficie del quemador. Los utensilios de cocina NO DEBEN extenderse más de 1/2" (1,3 cm) fuera del área de cocción.
Los resultados de cocción de la placa de cocina no son los esperados.	¿Está siendo empleado el utensilio de cocina adecuado?	Consulte la sección «Utensilios de cocina» en la página 39.
	¿La perilla de control se ha fijado a un nivel de calor adecuado?	Consulte la sección «Controles de la placa de cocina» en la página 41.
	¿Está nivelada la placa de cocina?	Nivele la placa de cocina. Consulte las «Instrucciones de instalación» en la página 34.
Un vapor está siendo emitido desde las perillas de la placa de cocina.	¿Está en el primer o en los primeros usos de la placa de cocina?	Durante el(los) primer(los) uso(s), un vapor puede verse saliendo de los orificios alrededor de las perillas de la placa de cocina. Esto es normal y DEBE desaparecer después de usarla.



GARANTÍA LIMITADA

MC Appliance Corporation garantiza que todas las Placa de cocina eléctrica carecen de defectos en el material y la mano de obra y acuerda solucionar cualquiera de estos defectos o instalar la(s) parte(s) nueva(s) (a elección de la compañía) en caso de que la unidad haya fallado durante el periodo de garantía. Las partes y gastos de reparación están cubiertos en esta unidad por un periodo de un año a partir de la fecha de compra. Es necesario presentar una copia del recibo o factura de compra con fecha para obtener los servicios de la garantía, el reemplazo o el reembolso.

Esta garantía cubre los aparatos que se usen dentro de los Estados Unidos contiguos, Alaska, Hawái y Puerto Rico. La garantía no cubre lo siguiente:

- Daños debido al daño del envío o a la instalación incorrecta.
- Daños debido al mal uso o abuso.
- Pérdidas de contenido debido a falla de la unidad.
- Las reparaciones se realizaron por los agentes desautorizados del servicio.
- Llamadas de servicio que no implican defectos en material y la ejecución tal como instrucción en el uso apropiado del producto o de la instalación incorrecta.
- Reemplazo o reajuste de los fusibles o de los interruptores de la casa.
- Falla de este producto si se usa con fines distintos a los que fue diseñado.
- Costes de la disposición de unidades falladas no vueltas a nuestra fábrica.
- Todos los gastos de entrega/instalación incurridos como resultado de una unidad que no cumple con lo especificado.
- Gastos de viajes y el transporte de los productos principales de servicio si su aparato está situado en una zona remota donde el servicio por un técnico de servicio no está disponible.
- La remoción y reinstalación de su gran aparato, si está instalado en un lugar inaccesible o no está instalado de conformidad con las instrucciones de instalación publicadas.
- Restituciones por productos no reparables se limita al precio pagado por la unidad por el recibo de compra.
- Esta garantía es intransferible. Esta garantía es válida exclusivamente para el comprador original y no se extiende a ningún otro propietario o propietarios subsiguientes.

Limitaciones de remedios y exclusiones:

La reparación del producto de acuerdo con los términos de este documento, es el único y exclusivo remedio determinado en esta garantía limitada. Todas y cada una de las garantías implicadas, incluyendo la calidad de comerciable y capacidad para un propósito particular, se limitan mediante la presente a un año o el periodo más corto permitido por la ley. MC Appliance Corporation no es responsable por daños incidentales ni resultantes y ningún representante o persona alguna están autorizados para asumir de parte nuestra ninguna otra responsabilidad en relación con la venta de este producto. Bajo ninguna circunstancia se le permite al consumidor regresar esta unidad a la fábrica sin consentimiento previo por escrito de MC Appliance Corporation.

Algunos estados prohíben la exclusión o limitación por daños incidentales o resultantes, o limitaciones en las garantías implícitas. Esta garantía le otorga a usted derechos legales específicos, y usted puede también tener otros derechos que varían según la entidad federal/va donde se encuentre.

Modelo	Piezas	Trabajo	Tipo de servicio
MCSCTE24BG	Uno año	Uno año	Lleve adentro

Para servicio o asistencia, llame por favor al **888-775-0202**. O visítenos en www.mcappliance.com para solicitar el servicio de garantía o repuestos.



CNA International, Inc. realiza negocios bajo el nombre de MC Appliance Corporation. Derechos reservados.

El logotipo Magic Chef® es una marca registrada de CNA International, Inc.

www.mcappliance.com

Impreso en China