

This Owner's Manual is provided and hosted by [Appliance Factory Parts](#).



# MAGIC CHEF OSDR325B1 Owner's Manual

[Shop genuine replacement parts for MAGIC CHEF  
OSDR325B1](#)



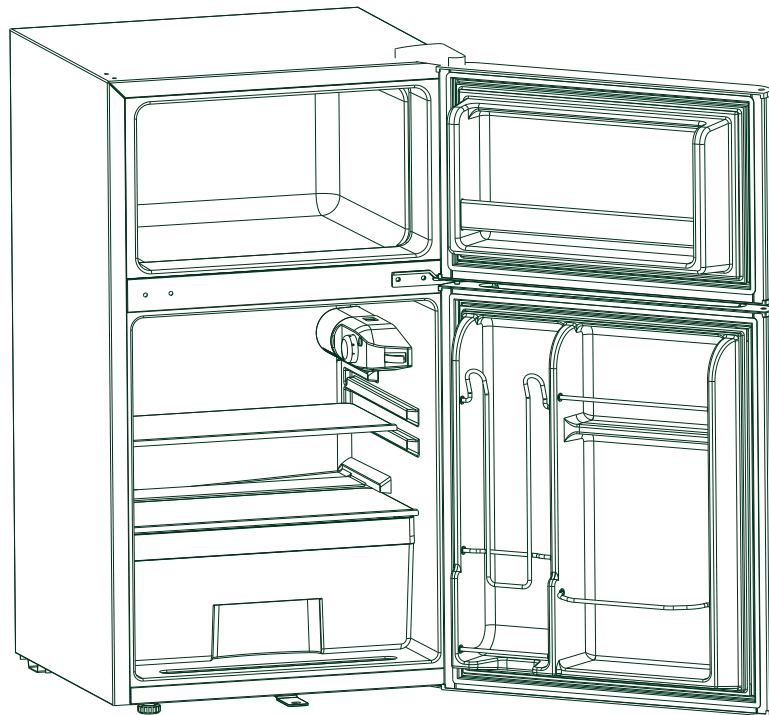
[Find Your MAGIC CHEF Refrigerator Parts - Select From 316 Models](#)

----- Manual continues below -----

***Oster***<sup>®</sup>

**3.25 CU. FT. REFRIGERATOR  
INSTRUCTION MANUAL**

**Model No.: OSDR325B1**



**To ensure proper use of this appliance and your safety, please read the following instructions completely before operating this appliance.**

# TABLE OF CONTENTS

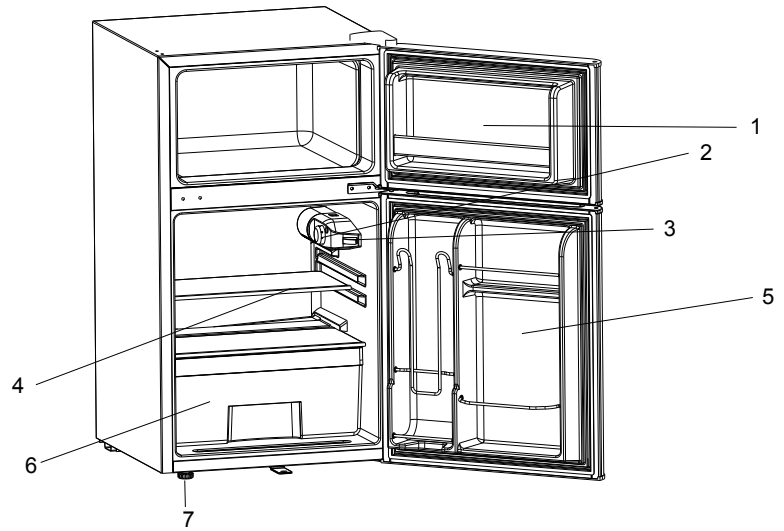
---

NAMES OF THE PARTS.....	2
SPECIFICATIONS.....	2
IMPORTANT SAFETY INSTRUCTIONS.....	3
INSTALLATION INSTRUCTIONS	
BEFORE USING YOUR REFRIGERATOR.....	3
INSTALLING YOUR REFRIGERATOR.....	3
ELECTRICAL CONNECTION.....	4
OPERATING YOUR REFRIGERATOR	
TEMPERATURE CONTROL.....	5
THE FREEZER COMPARTMENT.....	5
WHEN TO DEFROST.....	5
HOW TO DEFROST.....	5
CHANGING THE REVERSIBLE DOOR.....	6-7
LIGHT BULB REPLACEMENT.....	7
CARE AND MAINTENANCE	
CLEANING YOUR REFRIGERATOR.....	8
VACATION TIME.....	8
MOVING YOUR REFRIGERATOR.....	8
ENERGY SAVING TIPS.....	8
TROUBLESHOOTING GUIDE.....	9-10
REFRIGERATOR WARRANTY.....	11

# NAMES OF THE PARTS

## MODEL NO.: OSDR325B1

- (1) Door, Freezer Section
- (2) Temperature Control Box
- (3) Interior Light Switch
- (4) Shelf, Refrigerator Section
- (5) Door, Refrigerator Section
- (6) Crisper
- (7) Leveling Leg



**⚡ WARNING ⚡:** Never touch the interior of the Freezer Section or frozen foods in the compartment with wet hands as this could result in frostbite.

# SPECIFICATIONS - MODEL NO.: OSDR325B1

<b>PRODUCT DESCRIPTION</b>	<b>Oster 2 Door Refrigerator</b>		
<b>MODEL NO.</b>	<b>OSDR325B1</b>		
<b>CAPACITY</b>	<b>3.25 Cu. Ft.</b>		
<b>UNIT DIMENSIONS (inches)</b>	<b>Width</b>	<b>Height</b>	<b>Depth</b>
	<b>19.1"</b>	<b>33.9"</b>	<b>19.5"</b>
<b>NET WEIGHT (lbs.)</b>	<b>57.5 (lbs.)</b>		

# IMPORTANT SAFETY INSTRUCTIONS

<b>⚡ WARNING ⚡</b>	To reduce the risk of fire, electrical shock, or injury when using your refrigerator, follow these basic precautions:
<ul style="list-style-type: none"><li>• Read all instructions before using the refrigerator.</li><li>• DANGER or WARNING: Risk of child entrapment.</li><li>• To avoid the possibility of child entrapment, please take the following precautions before throwing out the refrigerator.<ul style="list-style-type: none"><li>- Remove all doors from the unit.</li><li>- Leave the shelves in place so that children may not easily climb inside.</li></ul></li><li>• Never allow children to operate, play with, or crawl inside the refrigerator.</li><li>• Refrigerants: All refrigeration products contain refrigerants, which under the guidelines of federal law must be removed before disposal of product. It is the consumer's responsibility to comply with federal and local regulations when disposing of this product.</li><li>• Never clean refrigerator parts with flammable fluids. The fumes can create a fire hazard or explosion.</li><li>• Do not store or use gasoline or any other flammable vapors and liquids in the vicinity of this or any other refrigerator. The fumes can create a fire hazard or an explosion.</li></ul> <p style="text-align: center;">-Save these instructions-</p>	

## INSTALLATION INSTRUCTIONS

### Before Using Your Refrigerator

- Remove the exterior and interior packing.
- Before connecting the refrigerator to the power source, let it stand upright for approximately 4 hours. This will reduce the possibility of a malfunction in the cooling system from improper handling during transportation.
- Clean the interior surface with lukewarm water using a soft cloth. (Cleaning Your Refrigerator on page 8)

### Installing Your Refrigerator

- This appliance is designed to be free standing only, and should not be recessed or built-in.
- Place your refrigerator on a floor that is strong enough to support the refrigerator when it is fully loaded.
- Allow 5 inches of space between the back and sides of the refrigerator, which allows the proper air ventilation. Adjust the feet to keep the refrigerator level.
- Locate the refrigerator away from direct sunlight and sources of heat (stove, heater, radiator, etc.). Direct sunlight may affect the acrylic coating and heat sources may increase electrical consumption. Ambient temperature below 50°F (10°C) or above 85°F (29.4°C) will hinder the performance of this appliance. This unit is not designed for use in a garage or any other outside installation.
- Avoid locating the refrigerator in moist areas.
- Plug the refrigerator into dedicated, properly installed-grounded wall outlet. Do not under any circumstances cut or remove the third (ground) prong from the power cord. Any questions concerning power and/or grounding should be directed toward a certified electrician or an authorized service center. This unit is not designed to be installed in an RV or used with an inverter.
- After plugging the appliance into a wall outlet, turn the unit on and allow the unit to cool down for 2-3 hours under before placing food in the refrigerator or freezer compartment.

## Electrical Connection

### ⚡ WARNING ⚡

Improper use of the grounded plug can result in the risk of electrical shock. If the power cord is damaged, have it replaced by an authorized service center.

This refrigerator should be properly grounded for your safety. The power cord of this refrigerator is equipped with a three-prong plug which mates with standard three-prong wall outlets to minimize the possibility of electrical shock.

Do not, under any circumstances, cut or remove the third ground prong from the power cord supplied.

This refrigerator requires a standard 115/120 Volt A.C. ~/60Hz electrical outlet with three-prong ground.

This refrigerator is not designed to be used with an inverter.

The cord should be secured behind the refrigerator and not left exposed or dangling to prevent accidental injury.

Never unplug the refrigerator by pulling the power cord. Always grip the plug firmly and pull straight out from the receptacle.

Do not use an extension cord with this appliance. If the power cord is too short, have a qualified electrician or service technician install an outlet near the appliance. Use of an extension cord can negatively affect the performance of the unit.

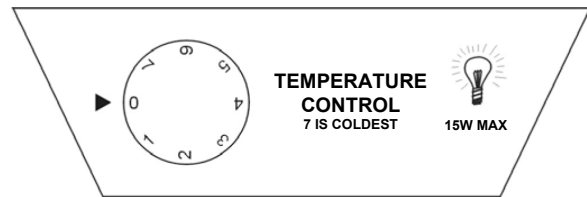
If any problems with the appliance persist, please contact our Customer Service Department to consult with a representative at **877-856-0202** or visit our website to request warranty service at **[www.mcappliance.com](http://www.mcappliance.com)**.

# OPERATING YOUR REFRIGERATOR

---

## Temperature Control

- Your refrigerator has one control for regulating the temperature. The temperature control is located on the top center of the refrigerator compartment.
- The first time you turn the unit on, adjust the temperature control knob to "7" and run for at least 2 hours before putting foods inside. This will ensure the cabinet is thoroughly chilled before food is put in.
- The range of the refrigerator temperature control is from position "1" the warmest to "7" the coldest. Adjust the temperature control to the setting that best suits your needs. The setting of "4" should be appropriate for home or office refrigerator use.
- Turning the temperature control knob to "0" position stops the cooling cycle but does not shut off the power to the unit.



- **NOTE:**

- If the unit is unplugged, loses power; you must wait 3 to 5 minutes before restarting the unit. If you attempt to restart before this time delay, the refrigerator will not start.
- Large amounts of food will lower the cooling efficiency of the appliance.
- Do not place the foods on the air outlet, and leave spaces for air flow.
- If you choose to change the thermostat setting, adjust the thermostat control by one increment at a time. Allow several hours for temperature to stabilize between adjustments.

## The Freezer Compartment

- This compartment is designed for the long-term storage of frozen food.
- The storage life of frozen foods varies and the recommended storage time should not be exceeded.
- Place frozen food into the freezer as quickly as possible after purchase. If there are instructions on the packet, carefully follow these instructions regarding storage times.

## When To Defrost

This unit is not designed to defrost automatically. In order to prevent damage to the interior liner of the unit from excessive frost build-up, please manually defrost the unit every 3 months or when the ice / frost is approximately 1/4" thick inside the freezer compartment.

## How To Defrost

Defrost the freezer compartment when the ice / frost are approximately 1/4" thick or every 3 months, whichever comes first. Set the thermostat dial to "0" to defrost. Remove all contents from the freezer compartment. Leave the freezer door open to allow accumulated ice/frost to melt. Remove large pieces of ice as needed. Do not use hot water or other electric heating devices to melt the accumulated ice. After defrosting, remove accumulated ice / water and wipe the freezer compartment dry with a soft cloth. In the event that the ice is not visibly present in the freezer compartment, please allow the evaporator located behind the freezer wall to completely defrost for approximately 2 hours before restarting the unit. Restart the unit per starting instructions.

# CHANGING THE REVERSIBLE DOOR

**CAUTION:** To avoid personal injury to yourself and/or property, we recommend someone assist you during the door reversal process.

- Remove the top hinge cover. (See Fig. 1)
- Using Phillips Head Screwdriver, loosen and remove the screws holding the top hinge in place.
- Remove top hinge and carefully lift off the freezer door.
- Remove the screw hole plugs from the opposite side and insert the plugs in the screw hole openings of the just removed screws.
- Open refrigerator door and unscrew two screws from the center hinge bracket while holding the open door in place. (See Fig. 2)
- Remove bracket and lift off refrigerator door.
- While doors are removed unscrew the door stoppers and re-insert on opposite side of door. (See Fig. 3)
- Remove the screw hole plugs from the opposite side and insert the plugs in the screw hole openings of the just removed screws.
- Remove any loose items in the refrigerator and carefully tilt refrigerator and lean against wall. Remove both leveling legs and place in a secure area.
- Loosen the screws holding the lower hinge bracket to the refrigerator door and remove screws and bracket. Remove leveling leg.
- Remove screws from the other side and insert in the previously removed screw holes. Remove leveling leg.
- Remove door pin by turning counter clockwise and re-insert to the underside of the bracket and tighten.
- Align bracket and insert 2 remaining screws into the holes provided. Tighten all the way. Replace leveling legs and place refrigerator in upright position.
- Replace washers and cap over pin. Align hole to the refrigerator door with the door pin and gently push down until firm.
- Insert pin from center hinge bracket into refrigerator door hole and align center hinge bracket holes to the screw holes in the cabinet.

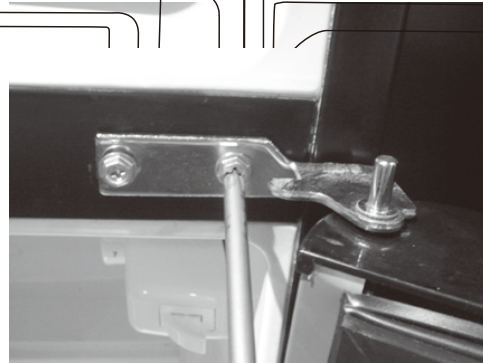
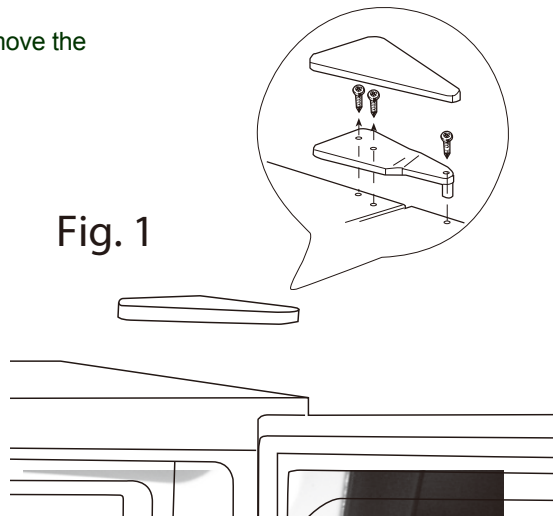


Fig. 2

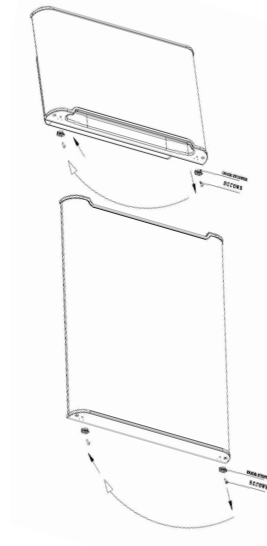


Fig. 3



- Insert 2 screws and tighten.
- Place washers on the center hinge bracket pin and align the freezer door holes and insert into pin.
- Replace screws on the top hinge cover, align door and tighten screws.
- Replace top hinge cover.

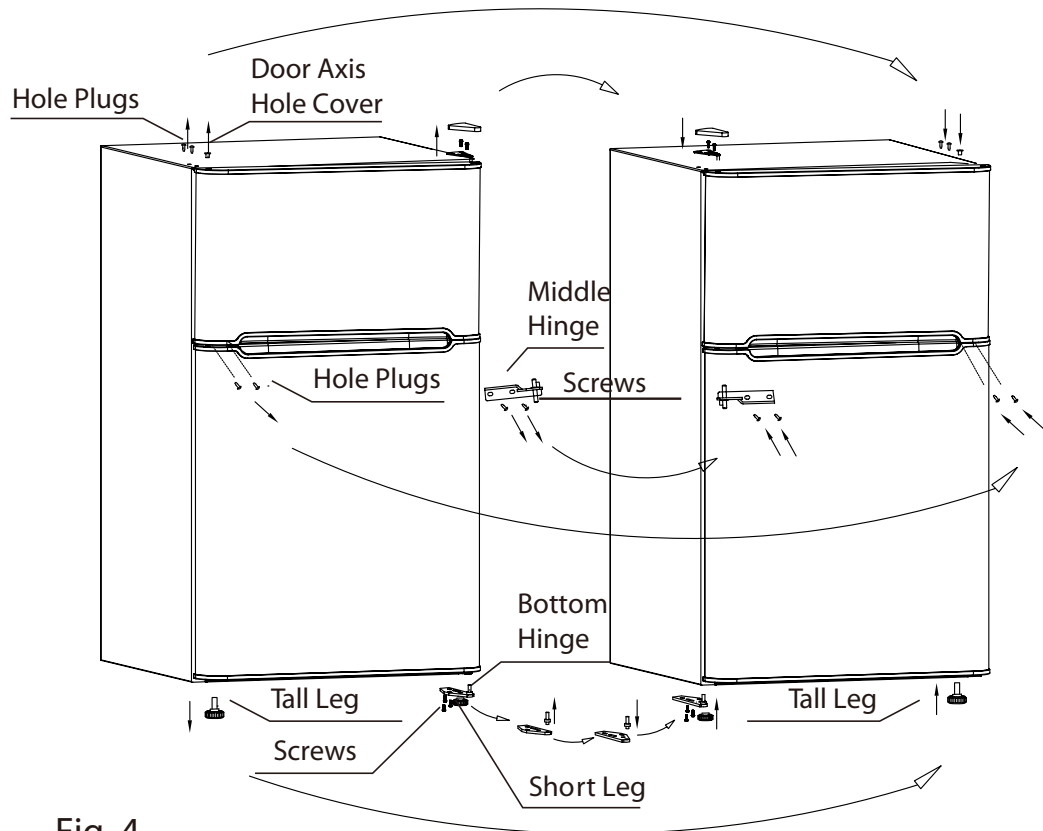


Fig. 4

## LIGHT BULB REPLACEMENT

- Switch off power to refrigerator.
- Gently pull out the clear cover.
- Replace with same type light bulb rated at 10 watts.
- Push the clear cover back into place.

# CARE AND MAINTENANCE

---

## Cleaning Your Refrigerator

- Upon installation of your new appliance, it is recommended that it be cleaned thoroughly.
- Turn off the refrigerator first and then unplug the unit from the wall outlet.
- Remove all food content.
- Wash the inside with a damp warm cloth soaked in lukewarm water and baking soda solution. The solution should be about 2 tablespoons of baking soda to a quart of water.
- Be sure to keep the door gasket (seal) clean to keep the unit running efficiently.
- The outside of the refrigerator should be cleaned with mild detergent and warm water.
- Dry the interior and exterior with a soft cloth.

## Vacation Time

- Turn off the refrigerator first and then unplug the unit from the wall outlet.
- Remove all the food.
- Clean the refrigerator.
- Leave the door open slightly to avoid possible formation of condensation, mold, or odor.
- Use extreme caution in the case of children. The unit should not be accessible to child's play.
- Short vacations: Leave the refrigerator operating during vacations of less than three weeks.
- Long vacations: If the appliance will not be used for several months, remove all food and unplug the power cord. Clean and dry the interior thoroughly. To prevent odor and mold growth, leave the door open slightly: blocking it open if necessary or have the door removed.

## Moving Your Refrigerator

- Turn off the refrigerator first and then unplug the unit from the wall outlet.
- Remove all the food.
- Securely tape down all loose items inside your refrigerator.
- Tape the doors shut.
- Be sure the refrigerator stays in the upright position during transportation.

## Energy Saving Tips

- The refrigerator should be located in the coolest area of the room, away from heat producing appliances or heating ducts, and out of the direct sunlight.
- Let hot foods cool to room temperature before placing them into the refrigerator. Overloading the refrigerator forces the compressor to run longer. Foods that freeze too slowly may lose quality, or spoil.
- Be sure to wrap foods properly, and wipe containers dry before placing them in the refrigerator. This cuts down on frost build-up inside the refrigerator.
- Organize and label food to reduce door openings and extended searches. Remove as many items as needed at one time, and close the door as soon as possible.

# TROUBLESHOOTING GUIDE

You can solve many common refrigerator problems easily, saving you the cost of a possible service call. Try the suggestions below to see if you can solve the problem before calling for service.

PROBLEM	POSSIBLE CAUSE
Refrigerator does not operate.	<ul style="list-style-type: none"> <li>- Not plugged in.</li> <li>- The circuit breaker tripped or a blown fuse.</li> </ul>
Compressor turns on and off frequently.	<ul style="list-style-type: none"> <li>- The room temperature is hotter than normal.</li> <li>- A large amount of food has been added to the refrigerator.</li> <li>- The door is opened too often.</li> <li>- The door is not closed completely.</li> <li>- The temperature control is not set correctly.</li> <li>- The door gasket does not seal properly.</li> <li>- The refrigerator does not have the correct clearances.</li> <li>- The refrigerator has recently been disconnected for a period of time. 4 hours are required for the refrigerator to cool down completely.</li> </ul>
Temperature inside the refrigerator is too warm.	<ul style="list-style-type: none"> <li>- Temperature control is set too warm. Turn the control to a cooler setting and allow several hours for the temperature to stabilize.</li> <li>- Door is kept open too long or is opened too frequently. Warm air enters the refrigerator every time the door is opened. Open the door less often.</li> <li>- The door is not closed completely.</li> <li>- The door gasket does not seal properly.</li> <li>- A large amount of warm or hot food might have been stored recently. Wait until the refrigerator has had a chance to reach its selected temperature.</li> <li>- The refrigerator has recently been disconnected for a period of time. 4 hours are required for the refrigerator to cool down completely.</li> </ul>
Temperature inside the refrigerator is too cold.	<ul style="list-style-type: none"> <li>- Temperature control is set too cold. Turn the control to a warmer setting and allow several hours for the temperature to stabilize.</li> </ul>
Temperature of external refrigerator surface is warm.	<ul style="list-style-type: none"> <li>- The exterior refrigerator walls can be as much as 30°F warmer than room temperature. This is normal while the compressor works to transfer heat from inside the refrigerator cabinet.</li> </ul>
Popping or cracking sound when compressor comes on.	<ul style="list-style-type: none"> <li>- Metal parts undergo expansion and contraction, as in hot water pipes. This is normal. Sound will level off or disappear as refrigerator continues to run.</li> </ul>
Bubbling or gurgling sound, like water boiling.	<ul style="list-style-type: none"> <li>- Refrigerant (used to cool refrigerator) is circulating throughout the system. This is normal.</li> </ul>
Vibrations.	<ul style="list-style-type: none"> <li>- Check to assure that the refrigerator is on a level surface.</li> <li>- Floor is uneven or weak. Refrigerator rocks on the floor when it is moved slightly. Be sure floor can adequately support refrigerator. Level the</li> </ul>

	<p>refrigerator by putting wood or metal shims under part of the refrigerator.</p> <p>The refrigerator is touching the wall. Re-level the refrigerator and move it from the wall.</p> <p>See "Installation Instructions".</p>
Moisture forms on inside refrigerator walls.	<ul style="list-style-type: none"> <li>- Weather is hot and humid, which increases internal rate of frost build-up. This is normal.</li> <li>- Door is slightly open.</li> <li>- Door is kept open too long, or is opened too frequently. Open the door less often.</li> <li>- The door is not sealed properly.</li> </ul>
Moisture forms on outside of refrigerator.	<ul style="list-style-type: none"> <li>- Door is slightly open, causing cold air from inside the refrigerator to meet warm moist air from outside.</li> </ul>
The door will not close properly.	<ul style="list-style-type: none"> <li>- The refrigerator is not on a level surface.</li> <li>- The gasket is dirty.</li> <li>- The storage basket is out of position.</li> </ul>



## REFRIGERATOR WARRANTY

Unless otherwise prohibited, MC Appliance Corporation warrants each new Refrigerator to be free from defects in material and workmanship, and agrees to remedy any such defect or to furnish a new part(s), at the company's option, for any part(s) of the unit that has failed during the warranty period.

Parts and labor expenses are covered on this unit for a period of one year from the date of purchase. In addition, MC Appliance Corporation warrants the compressor (parts only) to be free from defects in material and workmanship for a period of 5 years. The consumer is responsible for all labor and transportation expenses related to the diagnosis and replacement of the compressor after the initial one-year warranty expires. **A copy of the dated sales receipt or invoice is required to receive warranty service or a refund.**

**This warranty covers appliances in use within the continental United States, Puerto Rico, and Hawaii. The warranty does not cover the following:**

- Damages due to shipping damage or improper installation.
- Damages due to misuse or abuse.
- Content losses due to failure of the unit.
- Inside components such as door panels, door shelves, racks, light bulbs, etc.
- Punctures to the evaporator system due to improper defrosting of the unit.
- Repairs performed by unauthorized service agents.
- Service calls that do not involve defects in material and workmanship as instructions on proper use of the product, door reversal, or improper installation.
- Replacement or resetting of house fuses or circuit breakers.
- Failure of this product if used for other than for its intended purpose.
- Disposal costs for any failed unit not returned to our factory.
- Any delivery costs incurred as the result of a unit that fails to perform as specified.
- Expenses for travel and transportation for product service if your appliance is located in a remote area where service by an authorized service technician is not available.
- The removal and reinstallation of your appliance if it is installed in an inaccessible location or is not installed in accordance with published installation instructions.
- Liability under this warranty is limited to repair, replacement, or refund. If a replacement unit is not available or the unit cannot be repaired, liability is limited to the actual purchase price paid by the consumer.
- This warranty is non-transferable.
- This warranty applies only to the original purchase and does not extend to any subsequent owner(s).

This warranty is in lieu of all warranties expressed or implied and no representative or person is authorized to assume for us any other liability in connection with the sale of this product. Under no circumstances is the consumer permitted to return this unit to the manufacturer without prior written consent from MC Appliance Corporation.

Model	Parts	Labor	Compressor (Part Only)	Type of Service
OSDR325B1	One-Year	One-Year	Five-Years	Carry In

For Service or Assistance, please call 877-856-0202. Or visit us on the web at [www.mcappliance.com](http://www.mcappliance.com) to request warranty service or order parts.



© 2012 Sunbeam Products, Inc. doing business as Jarden Consumer Solutions. All rights reserved.  
Oster® is a registered trademark of Sunbeam Products, Inc. used under license.  
Distributed by MC Appliance Corporation, 777 Mark Street, Wood Dale, IL 60191  
MCP042712

For service, support and warranty information, visit [www.mcappliance.com](http://www.mcappliance.com) or in the U.S. call 877-856-0202.