

This Owner's Manual is provided and hosted by [Appliance Factory Parts](#).



Backyard Grill GBC1748WPFB-C Owner's Manual

[Shop genuine replacement parts for Backyard Grill
GBC1748WPFB-C](#)



[Find Your Backyard Grill Grill Parts - Select From 50 Models](#)

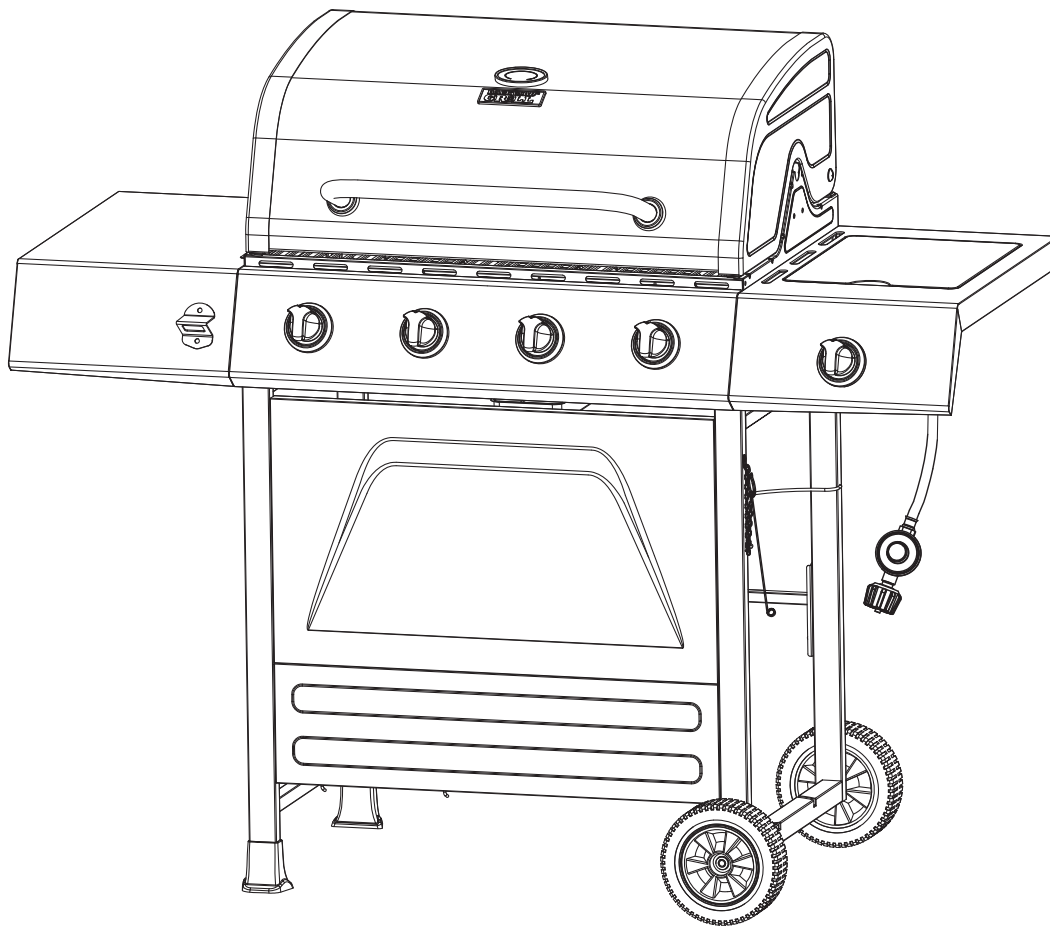
----- Manual continues below -----

BACKYARD GRILL

OWNER'S MANUAL

Outdoor LP Gas Barbecue

Model No. GBC1748WPFB-C



FOR YOUR SAFETY

1. Improper installation, alteration, service or repair may cause injury or death.
2. Read the instructions and maintenance information before installing the equipment.
3. Failure to follow instructions may result in fire or explosion, which may cause property damage or death.
4. This instruction manual contains important information for safe assembly and operation.
5. Read and follow all instructions before using the appliance.
6. Follow all warnings and cautions when using the appliance.
7. Keep this manual in a safe place for future reference.

Natural gas model
(model number GBC1748WPG-C)
is also available.
www.WarriorGrills.com



FOR YOUR SAFETY

1. Do NOT store propane gas cylinders in a flammable or combustible area.
2. An LP cylinder should NOT be stored in a confined space.

Table of Contents

Important Safeguards	Page 2
Expanded View & Hardware	4
Assembly Instructions	5



Important Safeguards Warning

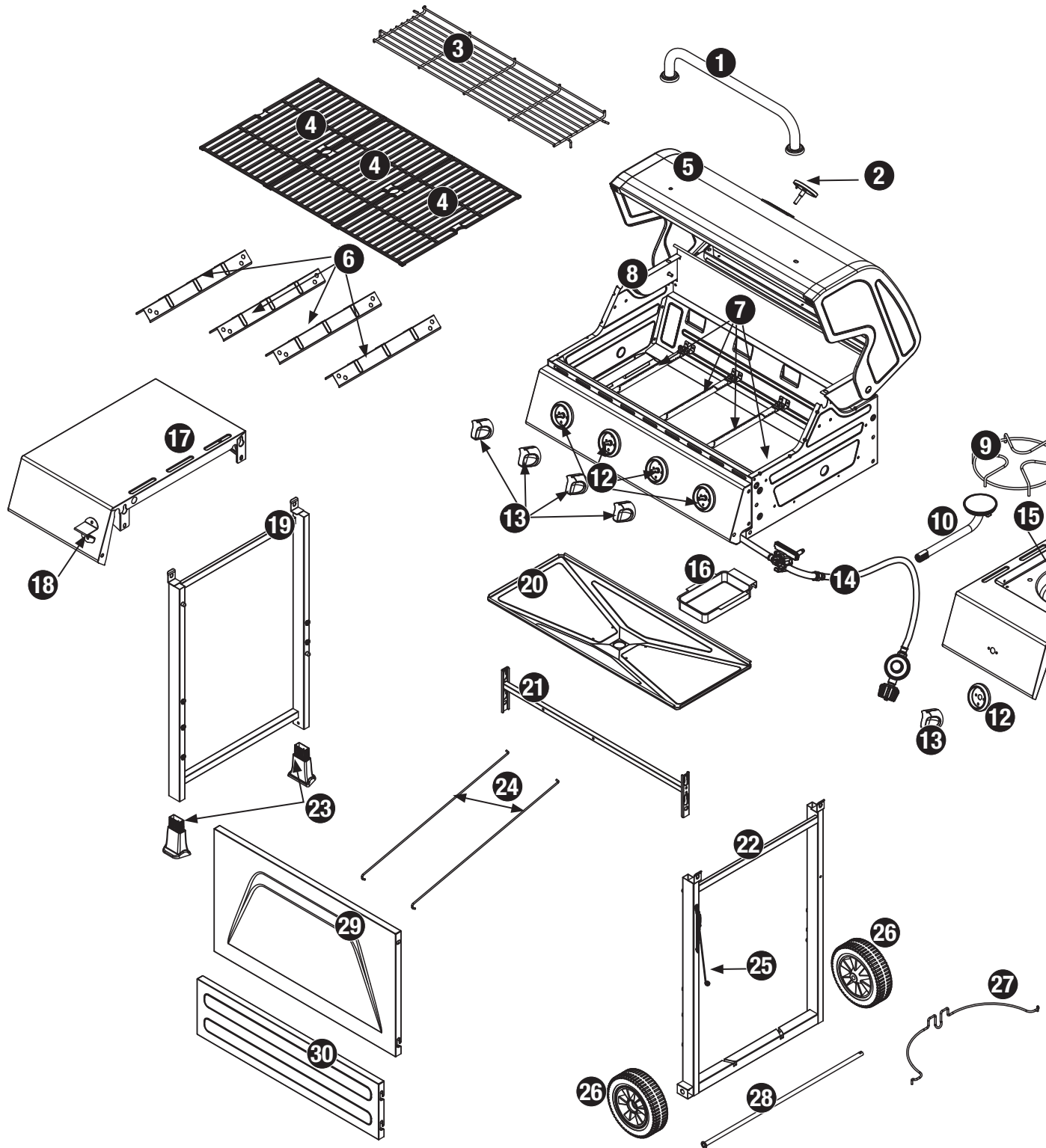
- ▲ This grill is for outdoor use only, and should not be used in a building, garage or any other enclosed area.
- ▲ Do NOT operate, light or use this appliance within ten feet (3.05 m) of walls, structures or buildings.
- ▲ For residential use only. This grill is NOT for commercial use.
- ▲ This grill is not intended for and should never be used as a heater. TOXIC fumes can accumulate and cause asphyxiation.
- ▲ This grill is safety certified for use in the United States and/or Canada only. Do NOT modify for use in any other location. Modification is a safety hazard and will void your warranty.
- ▲ This grill, from the factory, is for use with liquid propane (LP) gas only. The conversion to or attempted use of natural gas is dangerous, may cause bodily harm and will void your warranty.
- ▲ This grill, from the factory, is for use with LP gas. The natural gas conversion kit model number VFK1702W-C may be used for conversion to natural gas. The use of any other conversion kit is dangerous, may cause bodily harm and will void your warranty.
- ▲ LP gas characteristics:
 - a. LP gas is flammable and hazardous if handled improperly. Become aware of the characteristics before using any LP gas.
 - b. LP gas is explosive under pressure, heavier than air, and settles/pools in low areas.
 - c. LP gas in its natural state has no odor. For your safety, an odorant is added that smells like rotten cabbage.
 - d. Contact with LP gas can cause freeze burns to skin.
- ▲ Natural gas (NG) characteristics:
 - a. NG is flammable and hazardous if handled improperly. Become aware of the characteristics before using any NG.
 - b. NG is explosive under pressure, heavier than air, and settles/pools in low areas.
 - c. NG in its natural state has no odor. For your safety, an odorant is added that smells like rotten cabbage.
 - d. Contact with NG can cause freeze burns to skin.
- ▲ Apartment dwellers: Check with management to learn the requirements and fire codes for using a LP gas grill in your apartment. Do NOT use outside on the ground floor with a ten foot (3.05 m) clearance from any structure. Do NOT use on or under balconies.
- ▲ LP gas cylinder needed to operate. Only cylinders marked “propane” may be used.
- ▲ The LP gas cylinder must be constructed and marked in accordance with the *Specifications for LP-gas Cylinders* of the Department of Transportation (D.O.T.) or the National Standard of Canada, *CAN/CSA-B339, Cylinders, Spheres and Tubes for the Transportation and Commission*.
- ▲ LP gas cylinder must be arranged for vapor withdrawal.
- ▲ The LP gas cylinder must have a listed overfilling prevention device (OPD).
- ▲ Only use LP gas cylinders equipped with a cylinder connection device compatible with the connection for outdoor cooking.
- ▲ The LP gas cylinder must have a cylinder collar to protect the cylinder valve.
- ▲ Never use a LP gas cylinder with a damaged body, valve, collar or footing.
- ▲ Dented or rusted LP gas cylinders may be hazardous and should be checked by your LP gas supplier prior to use.
- ▲ The LP gas cylinder should not be dropped or handled roughly.
- ▲ LP gas cylinders must be stored outdoors out of the reach of children and must not be stored in a building, garage or other enclosed area. A LP gas cylinder must never be stored where temperatures can reach over 125°F.
- ▲ Do NOT insert any tool or foreign object into the valve outlet or safety relief valve. You may damage the valve and cause a gas leak which may result in an explosion, fire, severe personal injury or death.
- ▲ Do NOT block holes in sides or back of grill.
- ▲ Never keep an LP gas cylinder in a hot car or trunk. Heat will cause the gas pressure to increase, which may open the valve and cause a gas leak which may result in an explosion, fire, severe personal injury or death.
- ▲ Place dust cap on cylinder valve outlet whenever the cylinder is not in use. Only install the type of dust cap on the cylinder valve with the cylinder valve. Other types of caps or plugs may result in leakage of propane.



Important Safeguards Warning

- ▲ **NG:** The appliance and its individual shutoff valve must be disconnected from the gas supply piping system during any test pressure in excess of ½ psig (3.5 kpa).
- ▲ **NG:** The appliance must be isolated from the gas supply piping system by closing its individual manual shutoff valve during any test pressure in excess of ½ psig (3.5 kpa).
- ▲ This grill is designed to operate at an inlet pressure of: LP gas: 11 inches water column; NG: 7 inches water column.
- ▲ Do NOT store or use gasoline or other flammable liquids or vapors within 25 feet (7.62 m) of this appliance.
- ▲ Do NOT use in an explosive atmosphere. Keep grill area clear and free from combustible materials, gasoline and other flammable vapors.
- ▲ Minimum clearance from sides and back of unit to combustible construction is 36 inches (91.4 cm). Do NOT use the grill under a porch, overhang or roof.
- ▲ It is essential to keep the grill's valve compartment, burners and circulating air passages clean.
- ▲ Inspect grill before each use.
- ▲ Do NOT alter grill in any manner. Any alteration will void your warranty.
- ▲ Do NOT use the grill unless it is COMPLETELY assembled and all parts are securely fastened and tightened.
- ▲ Do NOT build this model of grill in any built-in or slide-in construction. Ignoring this warning could cause a fire or explosion, property damage and cause serious bodily injury or death.
- ▲ This grill should be thoroughly cleaned and inspected on a regular basis.
- ▲ Clean and inspect the hose before each use of the appliance. If there is evidence of abrasion, wear, cuts or leaks, do not use the grill.
- ▲ Use only the regulator and hose assembly provided. Use only the replacement regulator and hose assembly specified in the manual.
- ▲ Use only RevoAce Inc. Limited factory-authorized parts. The use of any part that is not factory-authorized can be a violation of your warranty.
- ▲ Do NOT operate this appliance without reading "Operating Instructions" in this manual.
- ▲ Do NOT touch metal parts of grill until they have completely cooled (about 45 min.) to avoid burns, unless you are wearing heat-resistant gloves, BBQ mittens, etc.).
- ▲ Do NOT install or use in or on boats or recreational vehicles.
- ▲ When cooking, fire extinguishing materials should be readily accessible. In the event of an oil/grease fire, do NOT use water. Use type BC dry chemical fire extinguisher or smother with dirt, sand or baking soda.
- ▲ Do NOT use grill in high winds.
- ▲ Never lean over the grill when lighting.
- ▲ Do NOT leave a lit grill unattended. Keep children and pets away from grill at all times.
- ▲ Do NOT leave grill unattended while preheating or burning off food residue on high. If grill has not been cleaned, a fire could occur and damage the product.
- ▲ Do NOT place empty cooking vessels on the appliance while in operation.
- ▲ Use caution when placing anything on the grill while the appliance is in operation.
- ▲ Do NOT attempt to move grill when in use. Allow the grill to cool before moving or storing.
- ▲ LP gas cylinder must be properly disconnected and removed prior to moving this grill.
- ▲ Storage of grill indoors is permissible only if the cylinder is disconnected, removed from the grill and properly stored.
- ▲ Always open grill lid carefully and slowly as heat and steam trapped within grill can cause severe burns.
- ▲ Do NOT attempt to disconnect the gas regulator from the cylinder or any gas fitting while the grill is in use.
- ▲ Always place your grill on a hard, non-combustible, level surface. An asphalt or blacktop surface may not be acceptable.
- ▲ Move gas hoses as far away as possible from hot surfaces and dripping hot grease.
- ▲ Keep all electrical cords away from a hot grill.

Expanded View



Parts List

1	Lid Handle	G1646-010
2	Temperature Gauge	B0104-J70
3	Warming Rack	G1646-020
4	Cooking Grid (3)	G1646-030
5	Lid*	G1646-04P
6	Heat Plate (4)	B0212-005

11	Right Side Shelf	G1646-080
12	Control Knob Bezel (5)*	G1646-090
13	Control Knob (5)	G0900-100
14	Regulator/Hose Assembly*	B0308-A18
15	Side Burner Electrode*	B0406-001
16	Grease Cup	B0219-H08

21	Rear Cart
22	Right Cart
23	Foot (2)
24	Cart Frame
25	Lighting R
26	Wheel (2)

Assembly Instructions

1

DO NOT RETURN TO PLACE OF PURCHASE.

DO NOT RETURN TO PLACE OF PURCHASE.

For assistance, call **1-800-694-0013** toll-free. Please have your owner's manual and model number available for reference.

Note: The model number is printed on a label which can be found on the inside door, back or side of the cart assembly.

Assembly Tips:

1. Select an area where you will assemble this product. To protect components, choose a smooth surface that's free of cracks or openings.
2. Spread out all parts.
3. Tighten all hardware connections by hand first. Then, before completing each step, go back and fully tighten all hardware. Be careful not to over-tighten. That could damage surfaces or strip threads.
4. For best results, complete each step in the order presented.

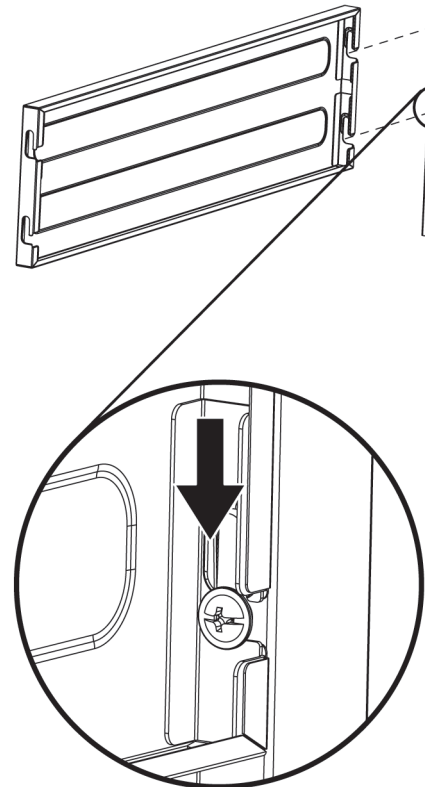
To complete assembly you will need:

- (1) Leak detection solution (instructions on how to make the solution are included in the "Operating Instructions" section of this manual).
- **LP:** (1) Precision-filled LP gas grill tank with Acme Type 1 external threaded valve connection (standard grill size).
- **NG:** (1) Natural gas conversion kit, model number VFK1702W-C (not included).

Typical assembly is approximately one hour.

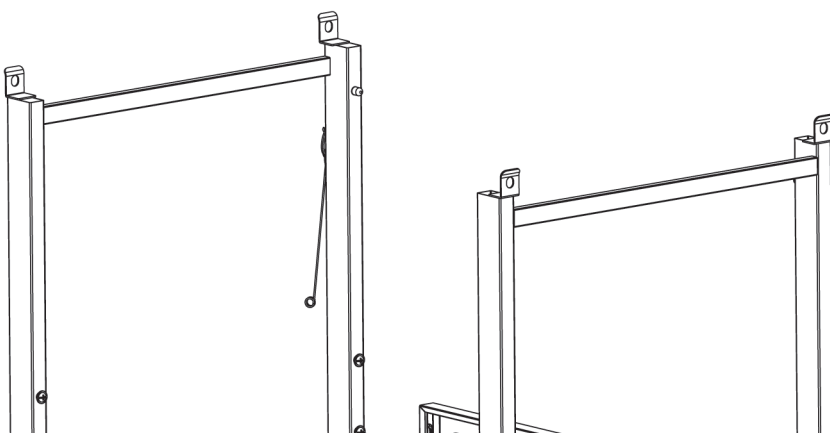
2

Assemble Left Cart Frame



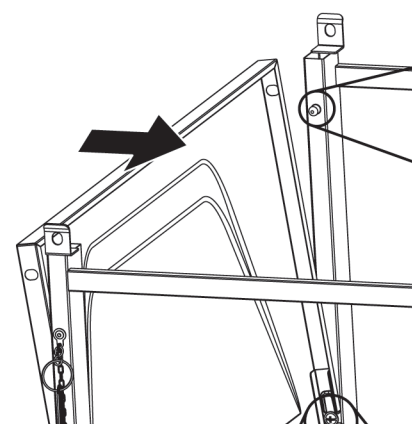
3

Assemble Right Cart Frame

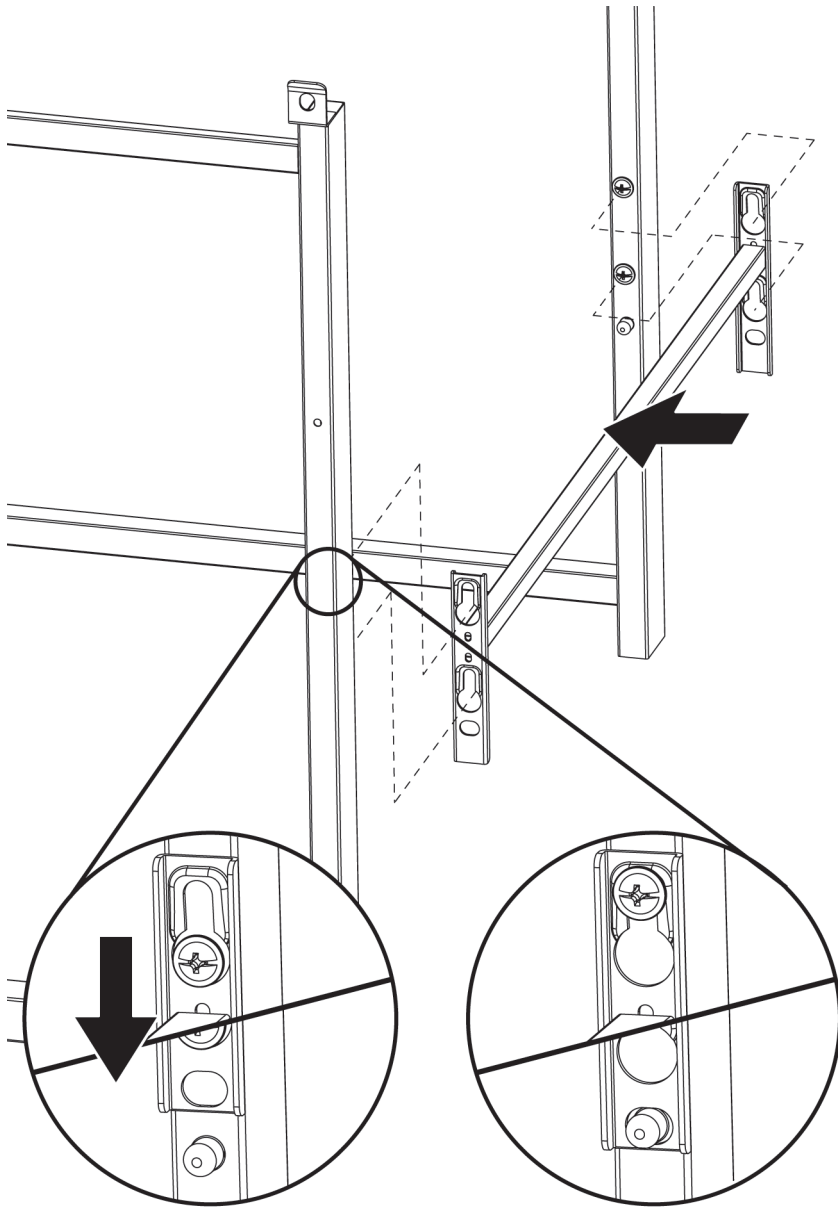


4

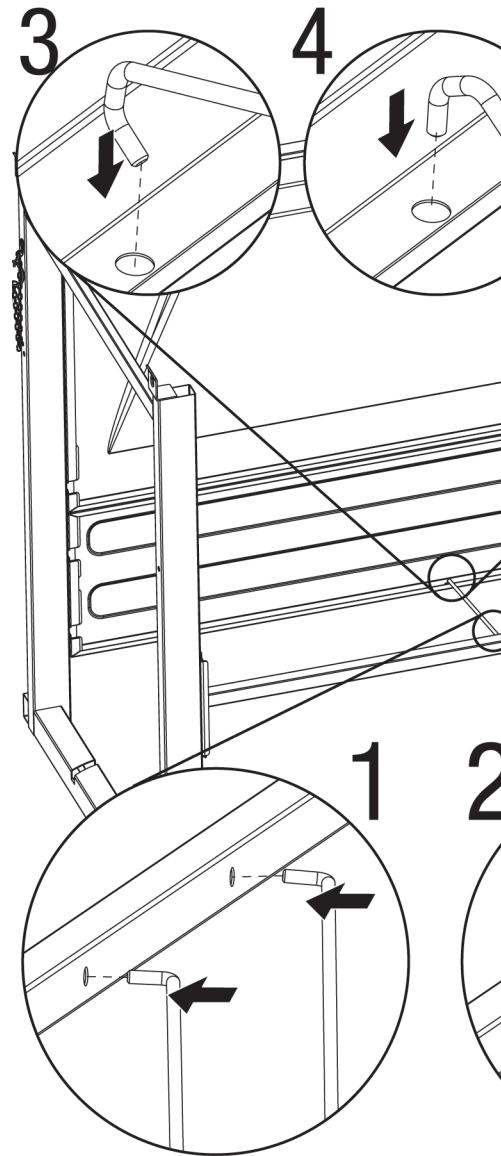
Attach Upper Front Pane



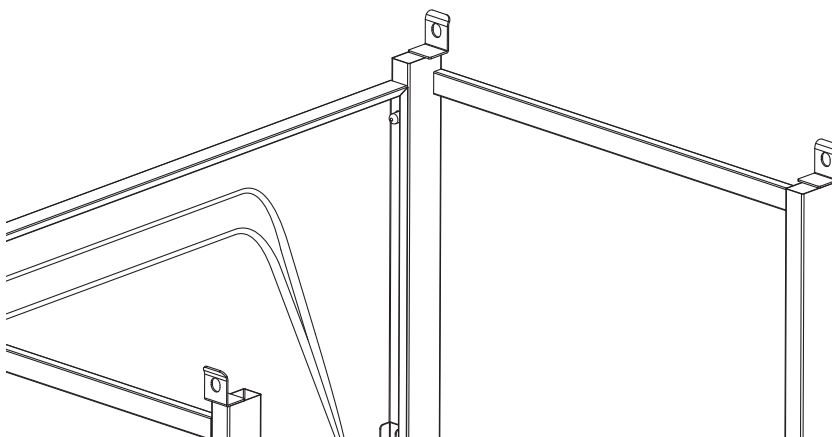
5 Attach Rear Cart Frame Support



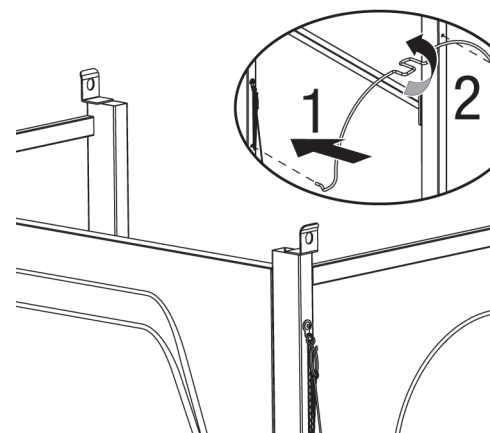
6 Attach Cart Frame Support



7 Attach Feet and Tighten all Screw from Steps 2-5

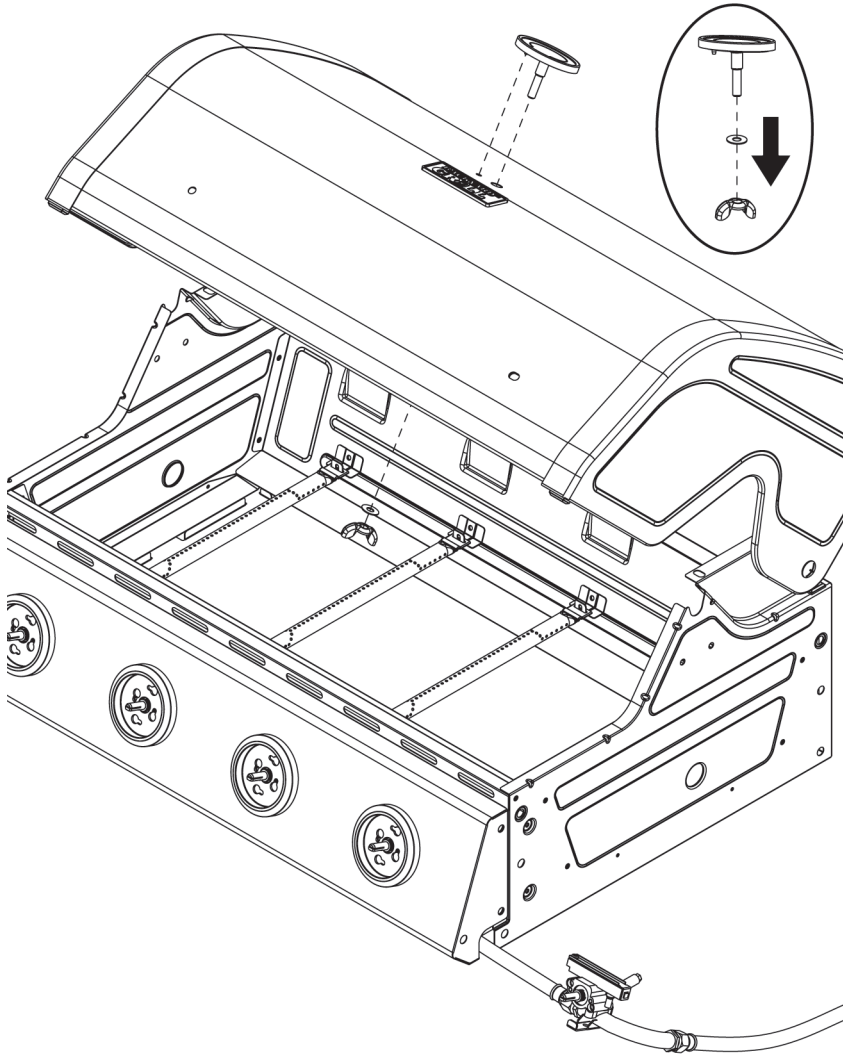


8 Attach LP Gas Tank Retainer



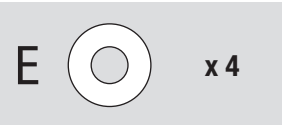
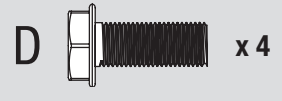
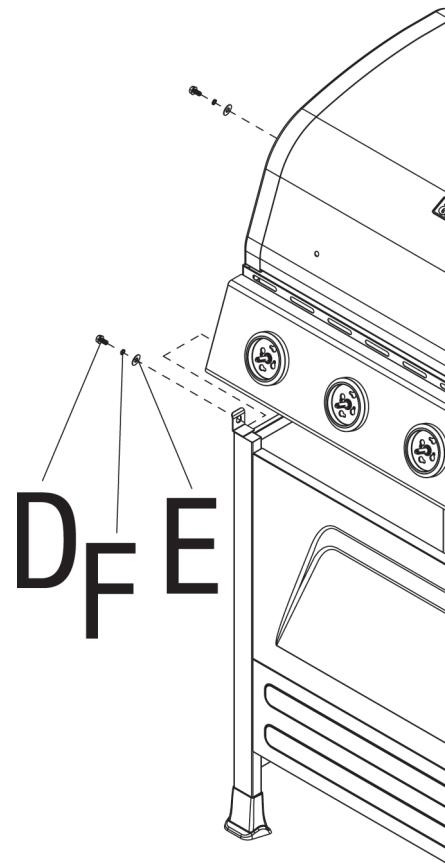
9

Attach Temperature Gauge



10

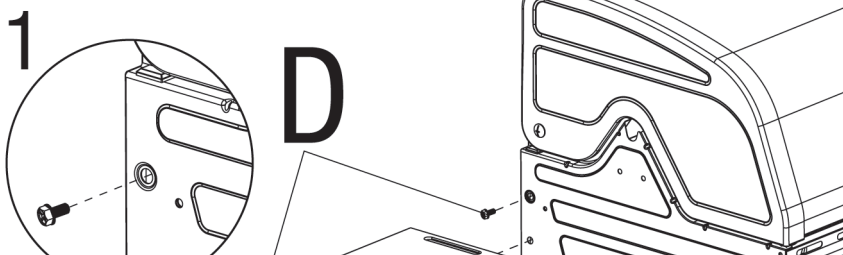
Attach Grill Body Assembl



11

Attach Left Side Shelf

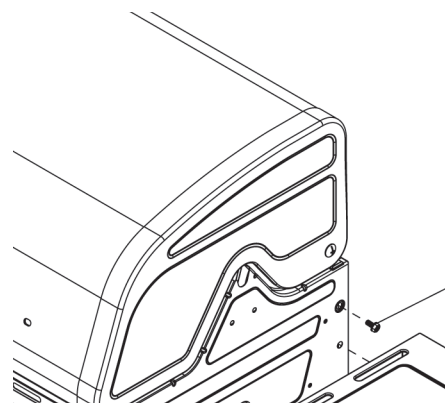
Note: Leave 5 mm of bolt threads exposed.



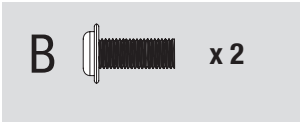
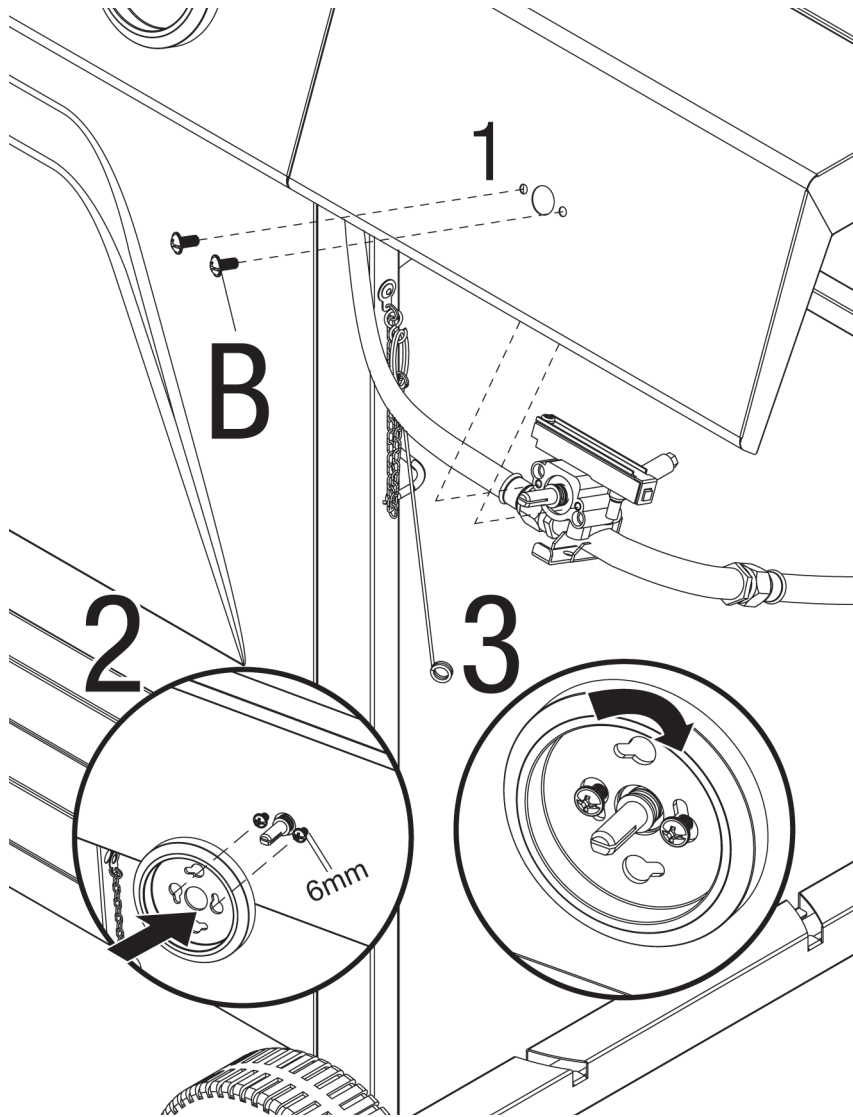
12

Attach Right Side Shelf

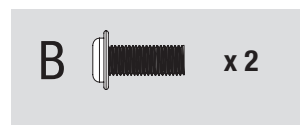
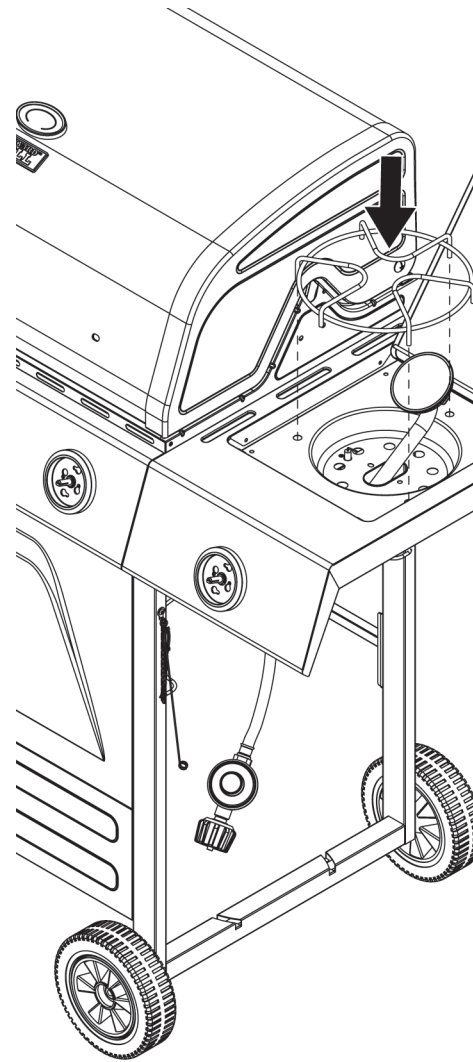
Note: Leave 5 mm of bolt threads exposed.



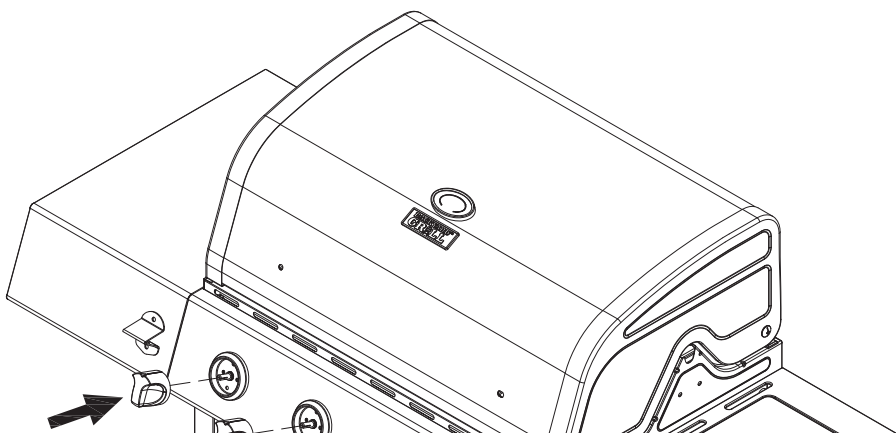
13 Attach Side Burner Valve and Control Knob Bezel



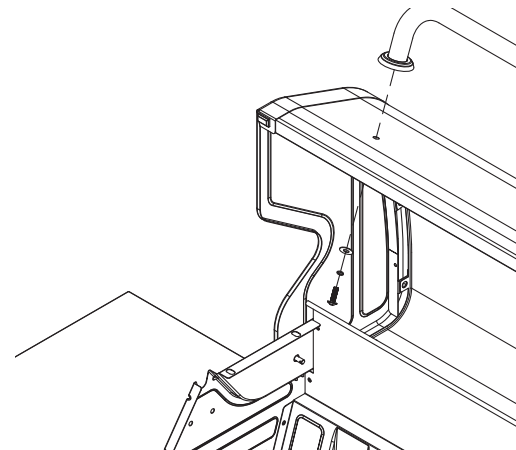
14 Insert Side Burner, Side Burner



15 Attach Control Knobs

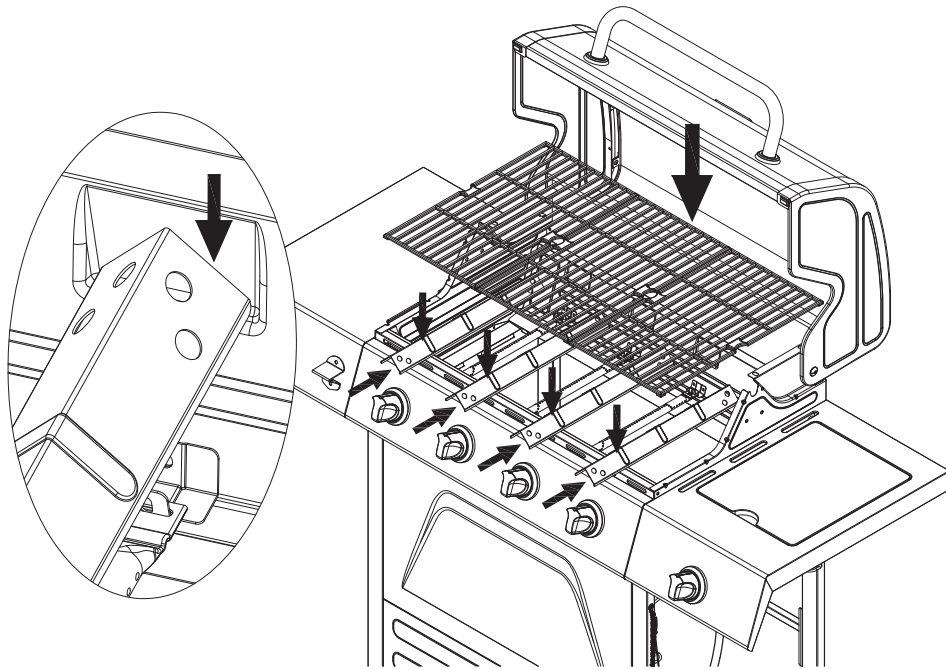


16 Attach Lid Handle



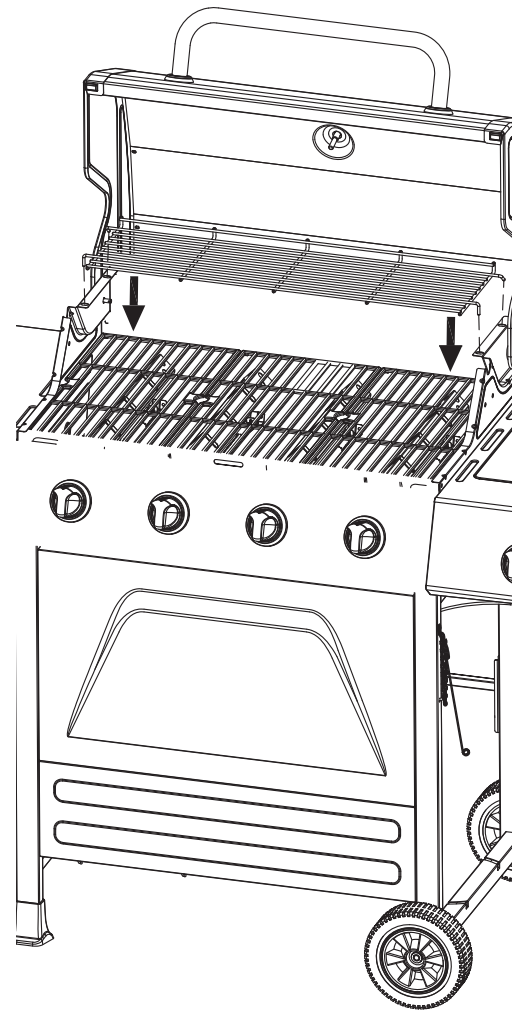
17

Insert Heat Plates and Cooking Grids



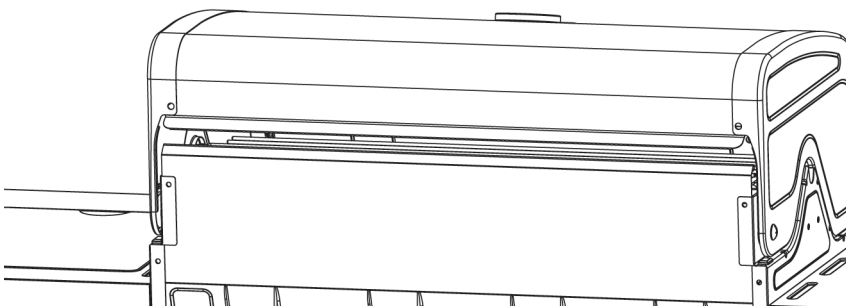
18

Insert Warming Rack



19

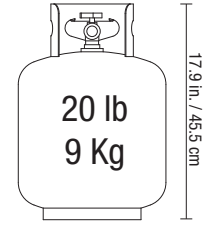
Insert Grease Tray and Grease Cup



Natural gas conversion kit (VFK1702W-C) available at www.Walmart.ca.

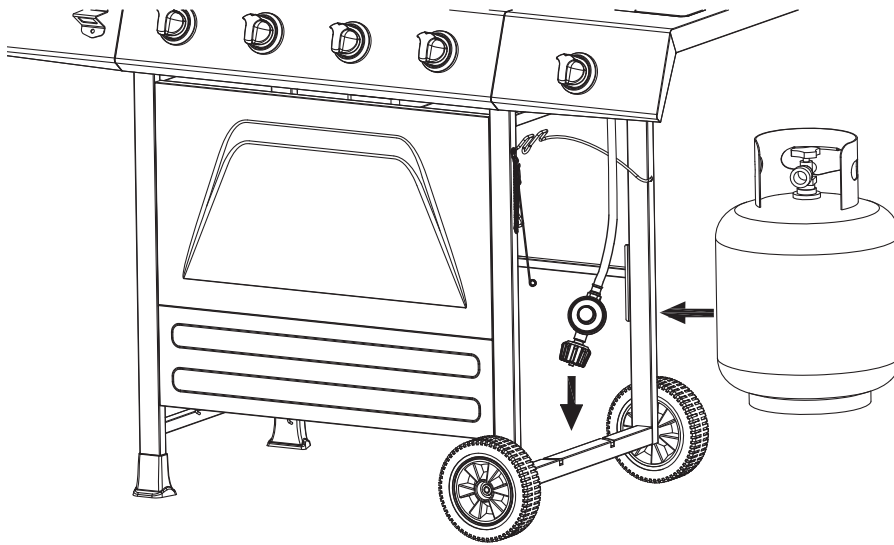
Installing LP Gas Tank

To operate, you will need one precision-filled standard grill LP gas tank with external valve threads.



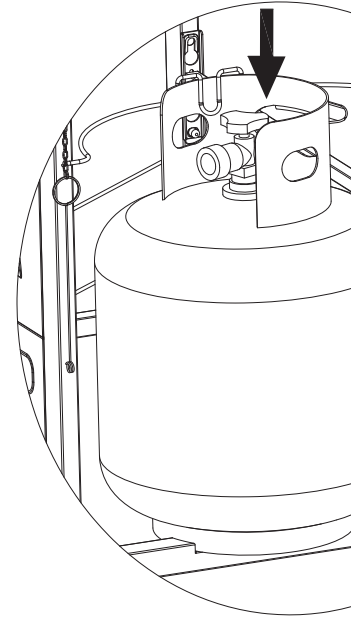
Inserting LP Gas Tank

Place precision-filled LP gas tank upright into the notches in the right cart frame so the tank valve is facing the gas line connection.



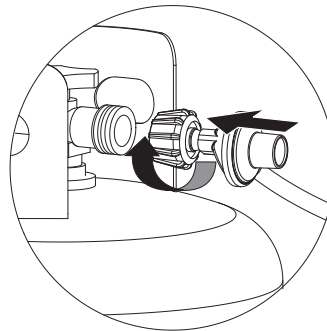
Securing LP Gas Tank

Secure tank by sliding the tank retainer wire over the tank.



Connecting LP Gas Tank

1. Before connecting, be sure there is no debris caught in the head of the LP gas tank, head of the regulator valve or in the head of the burner or burner ports.
2. Connect regulator/hose assembly to tank by turning knob clockwise until it stops.



Disconnecting LP Gas Tank

1. Before disconnecting, make sure the LP gas tank valve is "CLOSED."
2. Disconnect regulator/hose assembly from LP gas tank by turning knob counterclockwise until it is loose.

- ⚠ **CAUTION: LP gas tank must be properly disconnected and removed prior to moving this grill.**
3. Place the protective cap cover on the LP tank and store the tank outdoors in a well ventilated area out of direct sunlight.

Getting More Propane

Need a tank of gas? One option is to try propane exchange. It's easy, fast, safe, and available at tens of thousands of conveniently located retail outlets nationwide, which are typically open nights and weekends. You can purchase a fresh, precision-filled tank or exchange your empty for a fresh, precision-filled tank. Another option is to have your tank refilled at a refill station. Be sure to check the hours of operation for the refill station.

Installing Natural Gas Line

Installation should be done by a qualified service person.

⚠ **CAUTION: If young children are in the area, a locking valve should be considered.**

Connecting Natural Gas Line

1. Before connecting, be sure there is no debris caught in the head of the natural gas line, head of the grill natural gas line or in the head of the burner or burner ports.
2. Connect grill natural gas line to natural main gas line.

Disconnecting Natural Gas Line

Operating Instructions (continued)

- Spoon several drops of solution, or use a squirt bottle, at all "X" locations (Figures 1 and 3).
 - LP: If any bubbles appear, turn LP gas tank valve to "CLOSED," reconnect and re-test.
NG: If any bubbles appear, turn natural gas main valve "OFF," reconnect and re-test.
 - LP: If you continue to see bubbles after several attempts, turn LP gas tank valve to "CLOSED" and disconnect LP gas tank, per "Disconnect LP Tank" section. Contact 1.800.694.0013 for assistance.
NG: If you continue to see bubbles after several attempts, turn natural gas main valve to "OFF." Disconnect natural gas line and contact 1.800.694.0013 for assistance.
 - LP: If no bubbles appear after one minute, turn LP gas tank valve to "CLOSED," wipe away solution and proceed.
NG: If no bubbles appear after one minute, turn natural gas main valve to "OFF," wipe away solution and proceed.

Operating Main Burners

First Use

- Make sure all labels, packaging and protective films have been removed from the grill.
- Remove manufacturing oils before cooking on this grill for the first time by operating the grill for at least 15 minutes on 🔥 (HIGH) with the lid closed. This will "heat clean" the internal parts and dissipate odors.

Lighting

- ⚠ CAUTION: Keep outdoor gas cooking appliance area clear and free from combustible materials, gasoline and other flammable vapors and liquids.**
- ⚠ CAUTION: Do NOT obstruct the flow of combustion and ventilation air.**
- ⚠ CAUTION: Check and clean burner/venturi tubes for insects and insect nests. A clogged tube can lead to a fire.**
- ⚠ CAUTION: Attempting to light the burner with the lid closed may cause an explosion.**

- Open lid.
- Check for obstructions of airflow to the burners. Spiders, insects and webs can clog the burner/venturi tube. A clogged burner tube can lead to a fire.
- All control knobs must be in the 🔥 OFF position (Figure 3).
- LP: Connect LP gas tank per "Installing LP Gas Tank" section.
NG: Connect NG main line per "Installing Natural Gas Line" section.
- LP: Turn LP gas tank valve to "OPEN."
NG: Turn natural gas main valve to "ON."
- Push and turn any control knob to 🔥 (HIGH). The burner should light. If it does not, repeat up to three times.
- If ignition does not occur in 5 seconds, turn burner control knob 🔥 OFF," wait 5 minutes, and repeat lighting procedure.
- If igniter does not light burner, use a lit match secured with the Lighting Rod (included with grill) to light burners. Access the burners through the cooking grid and heat plates. Position lit match near side of burner (Figure 5).

Important: Always use the Lighting Rod (included) when lighting burners with a match.

- After lighting, observe the burner flame. Make sure all burner ports are lit and flame height matches illustration (Figure 6).

Note: Each burner lights independently - repeat steps 5-9 for the other burners.

Turning Off

- LP: Turn LP gas tank valve to "CLOSED."
NG: Turn natural gas main valve to "OFF."
- Turn all control knobs clockwise to the 🔥 OFF position.
Note: A "poof" sound is normal as the last of the LP gas is burned.
- LP: Disconnect LP gas tank per "Disconnecting LP Gas Tank" section.
NG: Keep NG main gas line connected.

Controlling Flare-ups

- ⚠ CAUTION: Putting out grease fires by only closing the lid is not possible.**

- If a grease fire develops, turn control knobs to the 🔥 OFF position
 - LP gas tank valve "CLOSED" or
 - NG main valve "OFF"

Do NOT use water on a grease fire. This can cause the grease to splatter and could result in serious burns, burns.

- Do NOT leave grill unattended while preheating or burning off food residue on 🔥 (HIGH). If grill has not been cleaned,

Flare-ups are a part of cooking meats on a grill and add to the unique flavor of grilling.

Excessive flare-ups can over-cook your food and be dangerous.

Important: Excessive flare-ups result from the build-up of grease in the bottom of your grill.



If burner flame goes out, immediately turn control knob to 🔥 OFF position
(a) LP gas tank valve "CLOSED" or
(b) NG main valve "OFF"
and open lid to allow for re-lighting.



When cooking, always be readily accessible to the grill. In case of a fire, use type B fire extinguisher to smother with dry chemical. Do NOT attempt to extinguish grease fires by closing the lid.

Operating Instructions (continued)

1. Push and turn control knob to 🔥 (HIGH). The burner should light. If not, repeat up to three times.
2. If ignition does not occur in 5 seconds, turn burner control knob "🔥 OFF;" wait 5 minutes and repeat lighting procedure.
3. If igniter does not light burner, use a lit match secured with the Lighting Rod (included with grill) to light burners. Position the lit match near side of the burner (Figure 7).

Important: Always use the Lighting Rod (included) when lighting burner with a match.

4. After lighting, observe the burner flame. Make sure all burner ports are lit and flame height matches illustration (Figure 8).

⚠ CAUTION: If burner flame goes out during operation, immediately turn the control knob to the "🔥 OFF" position

(a) LP gas tank valve "CLOSED" or

(b) NG main valve "OFF"

and open lid to let the gas clear for 5 minutes before re-lighting.

Turning Off

1. LP: Turn LP gas tank valve to "CLOSED."
NG: Turn natural gas main valve to "OFF."
2. Turn control knob clockwise to the "🔥 OFF" position.
Note: A "poof" sound is normal as the last of the LP gas is burned.
3. LP: Disconnect LP gas tank per "Disconnecting LP Gas Tank" section.
NG: Keep NG main gas line connected.

Cooking

1. Open lid and ignite the side burner per "Lighting" instructions.
2. Adjust control knob to desired flame height.
3. Place pan on center of grid.
4. Cook and adjust temperature as needed.
5. Turn grill off per "Turning Off" instructions.

Cleaning and Care

⚠ CAUTION:

1. All cleaning and maintenance should be done when grill is cool and with the fuel supply disconnected.
2. Do NOT clean any grill part in a self-cleaning oven. The extreme heat will damage the finish.
3. Do NOT enlarge valve orifices or burner ports when cleaning the valves or burners.

⚠ CAUTION: Unplug rotisserie motor from the outlet when not in use and before cleaning. Allow to cool before putting on or taking off parts.

Before Each Use:

1. Keep the grill area clean and free from any combustible materials, gasoline, and other flammable vapors and liquids.
2. Do NOT obstruct the flow of the combustion of LP gas and the ventilation of air.
3. Keep the ventilation opening(s) of the LP gas tank area free and clear from debris.
4. Visually check the burner flames to make sure your grill is working properly (Figure 6).
5. See below for proper cleaning instructions.
6. Check for obstructions of airflow to the burners. Spiders, insects and webs can clog the burner/venturi tube. A clogged burner tube can lead to a fire.

Cleaning Surfaces

1. Wipe surfaces clean with mild dishwashing detergent or baking soda mixed with water.
2. For stubborn surfaces, use a citrus-based degreaser and a nylon scrubbing brush.
3. Rinse clean with water.
4. Allow to air dry.



1. This grill should be inspected on a regular basis.
2. Abrasive cleaners should not be used on the grill.
3. Never use oven cleaner on the grill.

Limited Warranty

RevoAce Inc. Limited ("RA") warrants to the original retail purchaser of this product, and to no other person, that if this product is operated in accordance with the printed instructions accompanying it, then for a period of five (5) years for the burners and from the date of purchase, all parts in such product shall be free from defects in material and workmanship. RA may require proof of purchase. Therefore, you should retain your sales slip or invoice. This Limited Warranty shall be limited to the repair or replacement of defective under normal use and service and which RA shall determine in its reasonable discretion upon examination to be defective. If you should contact RA's Customer Care Department using the contact information listed below. If RA conforms, after examination, this Limited Warranty in any returned part, and if RA approves the claim, RA will replace such defective part without charge. If you return a product for replacement, charges must be prepaid by you. RA will return replacement parts to the original retail purchaser, freight or postage prepaid. This Limited Warranty covers any failures or operating difficulties due to accident, abuse, misuse, alteration, misapplication, improper installation or improper use by any third party, or failure to perform normal and routine maintenance on the product as set out in this owner's manual. In no event will this warranty cover damage to the finish, such as scratches, dents, discoloration, rust or other weather damage, after purchase.

This Limited Warranty is in lieu of all other express warranties. RA disclaims all warranties for products that are purchased from retailers or distributors, including the warranty of merchantability or the warranty of fitness for a particular purpose. RA DISCLAIMS ALL WARRANTIES, INCLUDING WITHOUT LIMITATION THE IMPLIED WARRANTIES OF MERCHANTABILITY AND FITNESS FOR A PARTICULAR PURPOSE. RA HAS NO LIABILITY TO PURCHASER OR ANY THIRD PARTY FOR ANY SPECIAL, INDIRECT, PUNITIVE, INCIDENTAL, OR CONSEQUENTIAL DAMAGES, INCLUDING ANY IMPLIED OR EXPRESS WARRANTY OF, and assumes no responsibility for, defects in workmanship caused by third parties. This warranty does not affect specific legal rights; a purchaser may have other rights depending upon where he or she lives. Some jurisdictions do not allow the exclusion of special, incidental or consequential damages, or limitations on how long a warranty lasts, so the above exclusion and limitation may not apply. RA does not authorize any person or company to assume for it any other obligation or liability in connection with the sale, installation, or replacement of its equipment, and no such representations are binding on RA.

RevoAce Inc. Limited

Hong Kong, China

1.800.694.0013

Troubleshooting

Problem	Possible Cause	Prevention
Burner will not light using ignitor	LP gas tank valve is closed NG main valve is closed	LP: Make sure regulator is securely attached to the "LP Gas Tank," then turn LP gas tank valve to "ON." NG: Make sure regulator and NG main valve are both turned to "Natural Gas Line," then turn NG main valve to "ON."
	LP gas tank is low or empty	Exchange, refill or replace LP gas tank
	LP gas / NG leak	<ol style="list-style-type: none"> LP: Turn LP gas tank valve to "CLOSED" NG: Turn natural gas main valve to "OFF" Wait 5 minutes for gas to clear Follow "Checking for Leaks" section
	Battery needs to be changed	Replace the "AA" battery (follow assembly instructions)
	Wires or electrode covered with cooking residue	Clean wire and/or electrode with rubbing alcohol
	Electrode and burners are wet	Wipe dry with cloth
	Electrode cracked/broken - sparks at crack	Replace electrode
	Wire loose or disconnected	Reconnect wire or replace electrode/wire
	Wire is shorting (sparking) between ignitor and electrode	Replace ignitor wire/electrode assembly
Bad ignitor	Replace ignitor	
Burner will not light with match	No gas flow	LP: Check if LP gas tank is empty A. If empty, exchange, refill or replace LP gas tank B. If LP gas tank is not empty, refer to "Checking for Leaks" section for "checking flame height" (see below) NG: Check if NG main valve is connected to wall A. Make sure regulator and NG main valve are both turned to "OPEN" B. If NG main valve is "ON," then refer to "Checking for Leaks" section for "checking flame height" (see below)
	LP gas tank is low or empty	Exchange, refill or replace LP gas tank
	LP gas / NG leak	<ol style="list-style-type: none"> LP: Turn LP gas tank valve to "CLOSED" NG: Turn natural gas main valve to "OFF" Wait 5 minutes for gas to clear Follow "Checking for Leaks" section
	Coupling nut and regulator not fully connected	Turn the coupling nut about one-half turn to stop. Tighten by hand only - do NOT use a wrench.
	Obstruction of gas flow	<ol style="list-style-type: none"> Clear burner tubes Check for bent or kinked hose
	Disengagement of burner to valve	Reengage burner and valve
	Spider webs or insect nest in venturi	Clean burner/venturi tube
Sudden drop in gas flow or reduced flame height	LP: Out of gas	Exchange, refill or replace LP gas tank
	NG: No main line pressure	Call your natural gas provider to inspect
	LP: Overfilling prevention device may have been activated	<ol style="list-style-type: none"> Turn control knobs to "OFF" Wait 30 seconds and light grill If flames are still too low, reset the overfilling prevention device: <ol style="list-style-type: none"> Turn control knob(s) to "OFF" Turn LP gas tank valve to "CLOSED" Disconnect regulator Turn control knobs to (HIGH) Wait 1 minute Turn control knobs to "OFF" Reconnect regulator and leak check fully open valve Light grill per "Lighting" section
Irregular flame pattern, flame does not run the full length of burner	Burner ports are clogged or blocked	Clean burner ports
Flame is yellow or orange	New burner may have residual manufacturing oils	Burn grill for 15 minutes on (HIGH)
	Spider webs or insect nest in venturi	Clean venturi
	Food residue, grease, etc. on burners	Clean burner
	Poor alignment of valve to burner/venturi tube	Ensure burner/venturi tube is properly aligned

Remplacez l'ensemble electrode-tiil conducteur.	Remplacez l'allumeur.	Allumeur défectueux.	Court-circuit (enceintes) du tiil conducteur entre l'allumeur et l'électrode.
Absence de gaz.	<p>PROANE (GPL) : Vérifiez si la bouteille de propane est vide.</p> <p>A. Si elle est vide, échangez-la, remplissez-la ou remplacez-la.</p> <p>B. Si la bouteille n'est pas vide, reportez-vous aux instructions "Baisse soudaine du débit du propane ou hauteur réduite de flamme." (voir ci-dessous).</p> <p>GZ NATUREL (GN) : Vérifiez que le robinet de la conduite principale d'alimentation en gaz naturel est raccordé.</p> <p>A. Assurez-vous que le régulateur est solidement raccordé à la conduite principale d'alimentation en gaz naturel, ouvrez le gaz en tournant le robinet de la conduite sur « OPEN » (ouvert).</p> <p>B. Si le robinet de la conduite principale d'alimentation en gaz naturel est ouvert (ON), reportez-vous aux instructions « Baisse soudaine du débit du propane ou hauteur réduite de flamme » (voir ci-dessous).</p>	La bouteille de propane est vide ou presque vide.	Échangez, remplissez ou remplacez la bouteille de propane.
Il y a une fuite de propane ou de gaz naturel.	<p>1. PROANE (GPL) : Tournez le robinet de la bouteille de propane sur « CLOSED » (fermé).</p> <p>GZ NATUREL (GN) : Tournez le robinet de la conduite principale d'alimentation en gaz naturel sur « OFF » (fermé).</p> <p>2. Attendez 5 minutes pour que le gaz se dissipe.</p> <p>3. Suivez les instructions du chapitre « Détecter une fuite » du manuel.</p>	L'écran de couplage et le régulateur ne sont pas complètement raccordés.	Tournez l'écran de couplage viron un demi ou trois quart de tour de plus jusqu'à l'arrêt complet. Serrez manuellement sans utiliser d'outils.
Obstruction du débit de gaz.	<p>1. Nettoyez les tubes des brûleurs.</p> <p>2. Assurez-vous que le tuyau n'est pas plié ou déformé.</p>	Le brûleur n'est plus raccordé à la valve.	Raccordez à nouveau le brûleur et la valve.
Araignées ou insectes dans le venturi.	Nettoyez le venturi et le tube du brûleur.	Les orifices du brûleur sont bouchés ou bloqués.	Nettoyez les orifices du brûleur.
Le nouveau brûleur peut contenir des huiles résiduelles de fabrication.	Laissez le barbecue fonctionner pendant encore 15 minutes sur (max) avec le couvercle fermé.	Toiles d'araignées ou nid d'insectes dans le venturi.	Nettoyez le venturi.
Résidus de nourriture, de graisse, etc.	Nettoyez le brûleur.	Mauvaise alignement de la valve sur le venturi du brûleur.	Vérifiez que le venturi du brûleur est correctement raccordé à la valve.
Les orifices du brûleur sont bouchés ou bloqués.	Nettoyez les orifices du brûleur.	PROANE (GPL) : La soupape de limitation de débit s'est peut-être déclenchée.	<p>1. Tournez les boutons de commande sur « ARRÊT ».</p> <p>2. Attendez 30 secondes puis allumez le barbecue.</p> <p>3. Si les flammes demeurent trop basses, réarmez le dispositif de sécurité de limitation de débit:</p> <p>a. Tournez le(s) bouton(s) de commande sur « ARRÊT ».</p> <p>b. Tournez le robinet de la bouteille de propane sur « CLOSED » (fermé).</p> <p>c. Débranchez le régulateur.</p> <p>d. Tournez les boutons de commande sur (max).</p> <p>e. Attendez 1 minute.</p> <p>f. Tournez les boutons de commande sur « ARRÊT ».</p> <p>g. Rebranchez le régulateur et assurez-vous que le raccord ne présente pas de fuite en veillant à ne pas complètement ouvrir le robinet.</p> <p>h. Allumez le barbecue en suivant les instructions d'allumage « Pour allumer ».</p>
PROANE (GPL) : La soupape de limitation de débit s'est peut-être déclenchée.	<p>1. Tournez les boutons de commande sur « ARRÊT ».</p> <p>2. Attendez 30 secondes puis allumez le barbecue.</p> <p>3. Si les flammes demeurent trop basses, réarmez le dispositif de sécurité de limitation de débit:</p> <p>a. Tournez le(s) bouton(s) de commande sur « ARRÊT ».</p> <p>b. Tournez le robinet de la bouteille de propane sur « CLOSED » (fermé).</p> <p>c. Débranchez le régulateur.</p> <p>d. Tournez les boutons de commande sur (max).</p> <p>e. Attendez 1 minute.</p> <p>f. Tournez les boutons de commande sur « ARRÊT ».</p> <p>g. Rebranchez le régulateur et assurez-vous que le raccord ne présente pas de fuite en veillant à ne pas complètement ouvrir le robinet.</p> <p>h. Allumez le barbecue en suivant les instructions d'allumage « Pour allumer ».</p>	Les orifices du brûleur sont bouchés ou bloqués.	Nettoyez les orifices du brûleur.
GZ NATUREL (GN) : Pas de pression au niveau de la conduite.	Contactez votre fournisseur de gaz naturel afin qu'il vienne inspecte la conduite de gaz naturel.	GZ NATUREL (GN) : Il n'y a plus de gaz.	Échangez, remplissez ou remplacez la bouteille de propane.

Nettoyage et entretien

Leur s'éteint lors du fonctionnement du barbecue, fermer immédiatement le gaz en réglant le bouton de commande réglant le robinet de la bouteille de propane sur « CLOSED » (fermé).

au niveau de la conduite principale d'alimentation en gaz naturel en réglant le robinet sur « OFF » (fermé). Ouvrir le minutes afin que le gaz se dissipe avant de tenter à nouveau d'allumer le barbecue.

à l'allumage lorsque vous allumez les brûleurs avec une allumette.

à l'allumage lorsque vous allumez les brûleurs avec une allumette. (voir illustration 7).

à l'allumage, fixez une allumette allumée au bout de la tige d'allumage (fournie avec le barbecue) afin d'allumer manuellement les brûleurs. Placez

de la conduite principale d'alimentation en gaz naturel en réglant le robinet sur « OFF » (fermé).

des aiguilles d'une montre afin de le régler sur « ARRÊT ».

et, ceci est normal, il s'agit du reste du gaz venant de se consumer.

en suivant les instructions « Débrancher la bouteille de propane »

conduite principale d'alimentation en gaz naturel.

en suivant les instructions d'allumage « Pour allumer » du manuel d'utilisation.

de flamme désirée.

es aliments au centre de la grille de cuisson.

ature au besoin.

ctions « Pour éteindre »

leur du tournebroche de la prise de courant lorsque le t avant tout nettoyage. Laisser l'appareil refroidir avant de

le pièce.



effectuée lorsque né et débranché dans un four dommages le fini es ou des brûleurs.



AVIS

1. Ce barbecue doit être vérifié et nettoyé en entier régulièrement.
2. N'utilisez pas de produits de nettoyage abrasifs car ils risquent d'endommager le barbecue.
3. N'utilisez jamais de produit à nettoyer les fours sur une pièce quelle qu'elle soit du barbecue.

de barbecue demeure dégagée et dépourvue de matières combustibles, d'essence

de combustion du propane ni de ventilation.

ventilation autour de la bouteille de propane demeurent toujours propres et

vous assurer que le barbecue fonctionne correctement (illustration 8).

us pour les instructions de nettoyage.

un brûleur afin de vous assurer qu'ils ne sont pas bouchés par des insectes bouchée, ceci risque de provoquer un feu sous le barbecue.

barbecue

liquide à vaisselle doux ou du bicarbonate de soude mélangé avec de l'eau. Passant au citron et une brosse de nettoyage en nylon.

État de la flamme du brûleur

Reportez-vous aux illustrations

suivantes afin de savoir si vos

brûleurs doivent être nettoyés.

État normal: Flammes bleues claires

avec crêtes jaunes entre 2,5 et 5 cm

de hauteur.



Le brûleur doit être nettoyé: Brûleur

bruyant avec flammes bleues.



Le brûleur doit être remplacé: Flammes jaunes ondulantes.

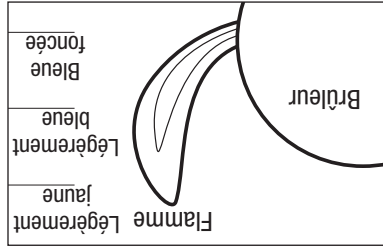


Illustration 8

ni empêcher le débit d'air de combustion du propane ni de ventilation. Les tubes de venturi et des brûleurs ne sont pas bouchés par des insectes et leurs brûleurs. Si la tubulure du brûleur est bouchée, ceci risque de provoquer un feu sous le



Illustration 6



ton de commande sur (max). Le brûleur devrait s'allumer. Si le brûleur ne s'allume pas, répétez l'opération jusqu'à 3 fois si nécessaire.

condes, réglez le bouton du brûleur sur « ARRÊT », attendez 5 minutes puis reprenez la procédure d'allumage depuis le début.

égiant le robinet de la bouteille de propane sur « OPEN » (ouvert).
niveau de la conduite principale d'alimentation en gaz naturel en tournant le robinet sur « ON » (ouvert).

nduite principale d'alimentation en gaz naturel en suivant les instructions « Installation de la conduite principale de propane en suivant les instructions » installer la bouteille de propane ».

ent être réglés sur « ARRÊT ». Reportez-vous à l'illustration 3.

ge d'allumage lorsque vous allumez les brûleurs avec une allumette.
llez observer la flamme du brûleur et vérifiez que tous les orifices du brûleur sont me correspond à celle de l'illustration (voir illustration 6).

pendamment des autres. Reprenez les étapes 5 à 9 pour les autres brûleurs.

égiant le robinet de la bouteille de propane sur

au niveau de la conduite principale d'alimentation en gaz naturel en réglant le

nde dans le sens des aiguilles d'une montre afin de les régler sur « ARRÊT » les

éteuffé, ceci est normal, il s'agit du reste du gaz venant de se consumer.

bouteille en suivant les instructions « Débrancher la bouteille de propane »

ée la conduite principale d'alimentation en gaz naturel.

stible d'éteindre les feux de graisse en fermant le couvercle du

, tourner les boutons de commande sur

gaz en réglant le robinet de la bouteille de propane sur «

er le gaz en réglant le robinet de la conduite principale
tural sur « OFF » (fermé). Ne pas utiliser d'eau pour éteindre un
ue de provoquer des éclaboussures et d'entraîner des brûlures
rporables graves et d'autres dégâts.

ne sans surveillance lorsqu'il est en phase de préchauffage ni
miner des résidus de nourriture par chaleur intense avec le
, Si la barbecue n'a pas été nettoyé, un feu de graisse risque de
nager le barbecue.

se produisent régulièrement lorsque vous cuisinez de la viande au barbecue et donnent un goût unique à vos grillades.

es risquent de brûler vos aliments et peuvent être dangereuses.

es soudaines résultent d'une accumulation de résidus de graisse au fond du barbecue.

rcle ET tournez le(s) bouton(s) de commande sur

ne de lui-même. Faites preuve de précaution lorsque vous ouvrez le couvercle afin d'éviter tout retour de flamme.

taines, NE PAS verser d'eau sur les flammes.

la cuisson.

es à petit feu sur (min.) ou en effectuant une cuisson indirecte.

ne sur une surface dure et non combustible et que la graisse puisse s'égoutter dans le godet collecteur.

AVERTISSEMENT

Lors de la cuisson, conserver toujours à portée de main des articles ou matières capables d'éteindre le feu. En cas de feu d'huile ou de graisse, utiliser un extincteur à poudre BC ou étouffer le feu avec de la terre, du sable ou du bicarbonate de soude. Ne pas tenter d'éteindre le feu avec de l'eau.

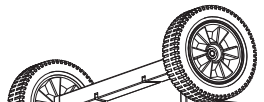
ATTENTION

Si la flamme du brûleur s'éteint lors du fonctionnement du barbecue, fermer immédiatement le gaz en réglant les boutons de commande sur « arrêt » :

(a) PROPANE : Fermer le gaz en réglant le robinet de la bouteille de propane sur « CLOSED » (fermé).

(b) GAZ NATUREL : Fermer le gaz en réglant le robinet de la conduite principale d'alimentation en gaz naturel sur « OFF » (fermé).

Ouvrir le couvercle et attendez ensuite 5 minutes afin que le gaz se dissipe avant de tenter à nouveau d'allumer le barbecue.



«
e gaz naturel en suivant les instructions » Installation de la
e propane en suivant les instructions » Installer la bouteille
nde du barbecue sont tous sur « ARRÊT ». Reportez-vous
stinée à détecter les fuites en mélangeant un volume de
e gaz

de l'orifice, veuillez appeler notre service à la clientèle au
er correctement l'installation (illustrations 1 et 2).
des blessures graves voire la mort.
éviter un incendie ou une explosion pouvant
riez pas ce raccord et ne respectez pas ces
rleur est correctement placé sur l'orifice.
ube de venturi du brûleur sur l'orifice.
au ont été correctement raccordés au brûleur et à la

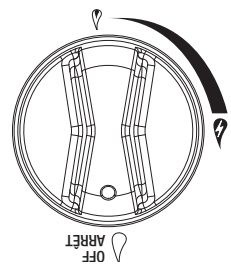


Illustration 3

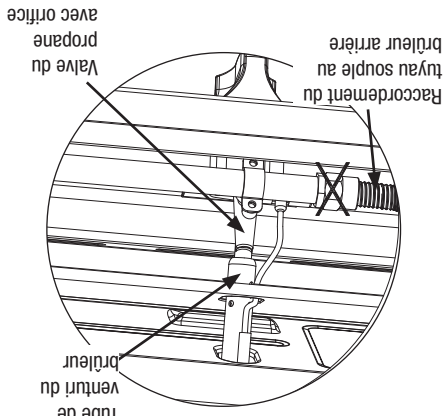


Illustration 1 : Brûleurs principaux

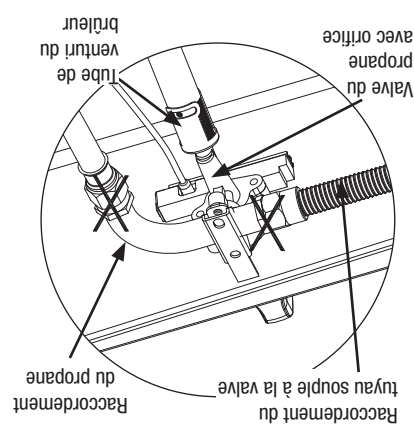


Illustration 2 : Brûleur latéral

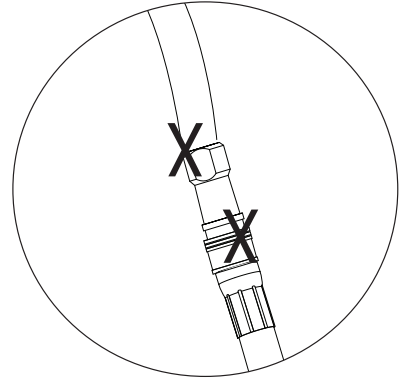
Fonctionnement

«
e gaz naturel en suivant les instructions » Installation de la
e propane en suivant les instructions » Installer la bouteille
nde du barbecue sont tous sur « ARRÊT ». Reportez-vous
stinée à détecter les fuites en mélangeant un volume de
e gaz

technicien qualifié.
ts se trouvent à un robinet de
à considérer.

1. Branchez le tuyau souple de gaz naturel du barbecue sur la conduite principale d'alimentation en gaz naturel.
2. Avant de débiter, vérifiez que la valve est correctement branchée et que la valve est "OFF".
3. Débranchez le grill naturel du barbecue.

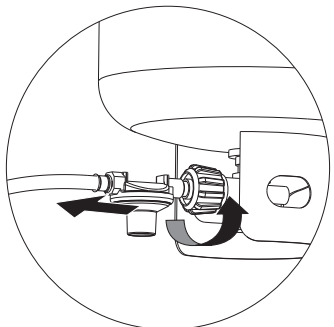
Débrancher le tuyau de gaz naturel



Installation de la conduite principale d'alimentation en gaz naturel

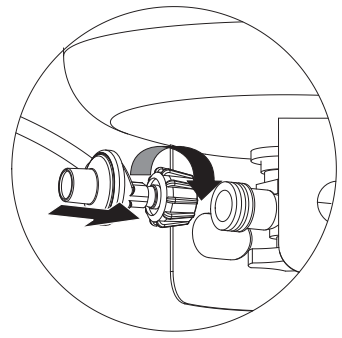
avez votre service d'échange de bouteilles de propane. C'est un service facile, rapide,
milliers de points de vente partout dans le pays. Ces points de vente sont le plus souvent
line. Achetez une bouteille neuve remplie avec précision ou échangez votre bouteille vide
on. Il vous est également possible de faire remplir votre bouteille auprès d'une station de
e la station de remplissage.

e de propane

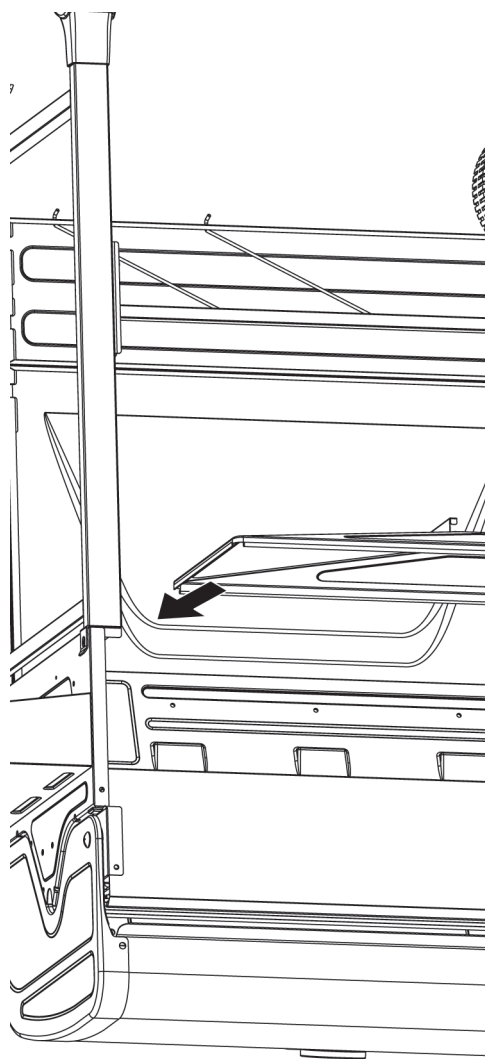


1. Avant de débiter, vérifiez que la valve est correctement branchée et que la valve est "OFF".
 2. Débranchez le grill naturel du barbecue.
 3. Avant de débiter, vérifiez que la valve est correctement branchée et que la valve est "OFF".
- ATTENTION : La bouteille de propane doit être correctement débanchée et retirée avant de déplacer ce barbecue.**
- Mettez un bouchon antipoussière sur la sortie du robinet de la bouteille et l'entreposer à l'extérieur dans un endroit bien aéré et loin des rayons directs du soleil.

Débrancher la bouteille de propane

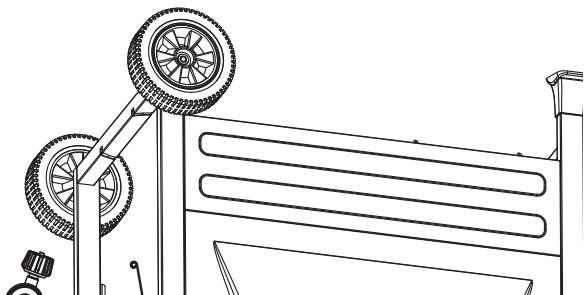


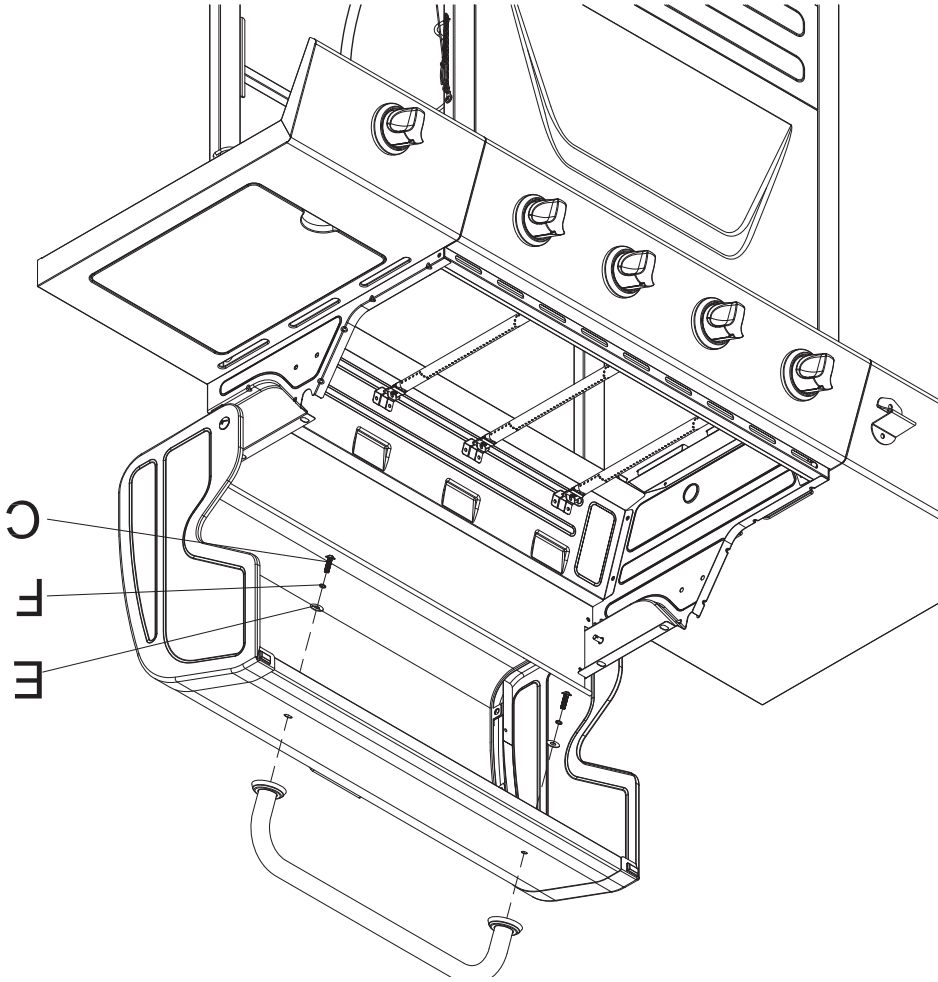
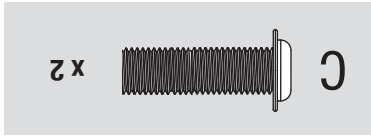
«
e gaz naturel en suivant les instructions » Installation de la
e propane en suivant les instructions » Installer la bouteille
nde du barbecue sont tous sur « ARRÊT ». Reportez-vous
stinée à détecter les fuites en mélangeant un volume de
e gaz



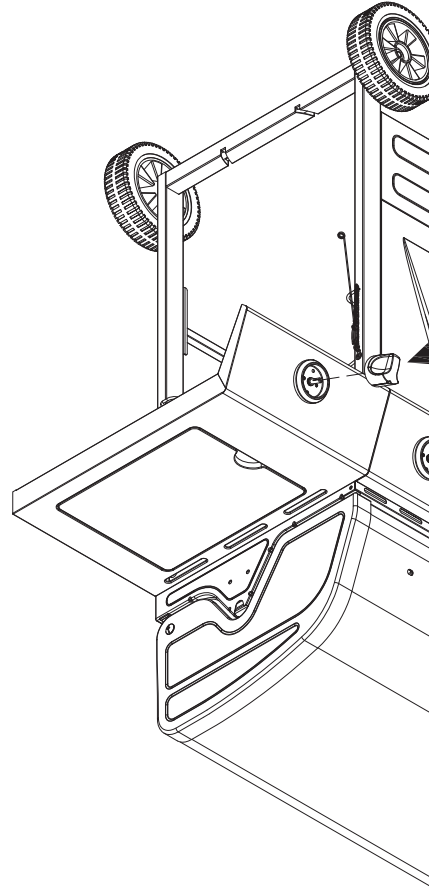
graisse et le collecteur de graisse

**Trousse de conversion au gaz naturel
(modèle n° VFK1702W-C) disponible
chez Walmart ou sur le site Walmart.ca.**

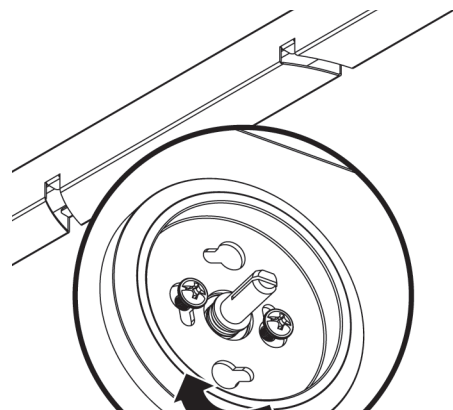
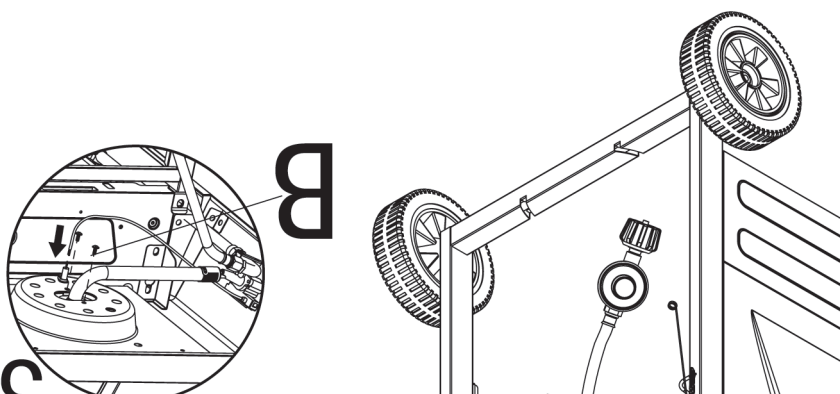
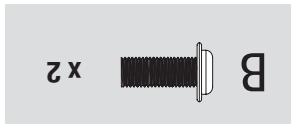


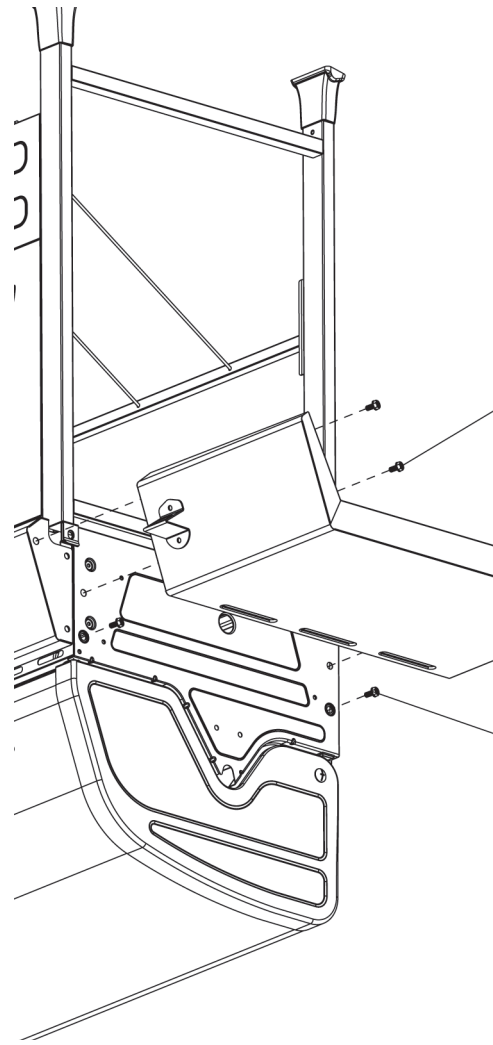


16 Fixer la poignée du couvercle



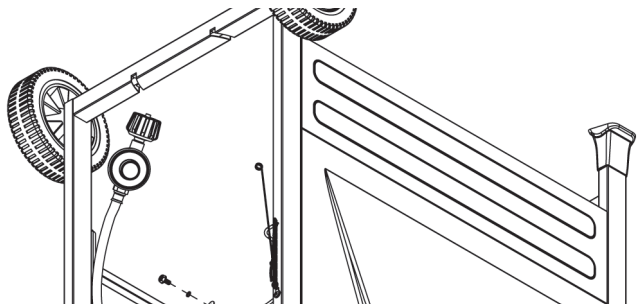
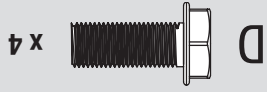
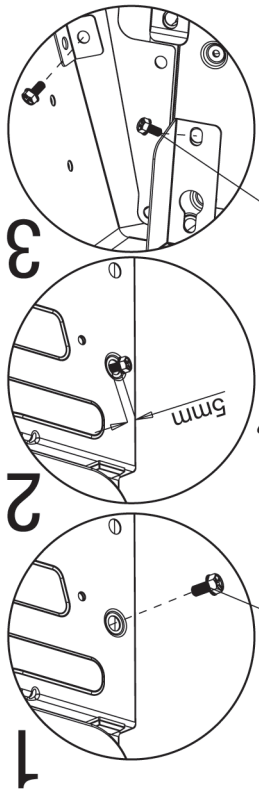
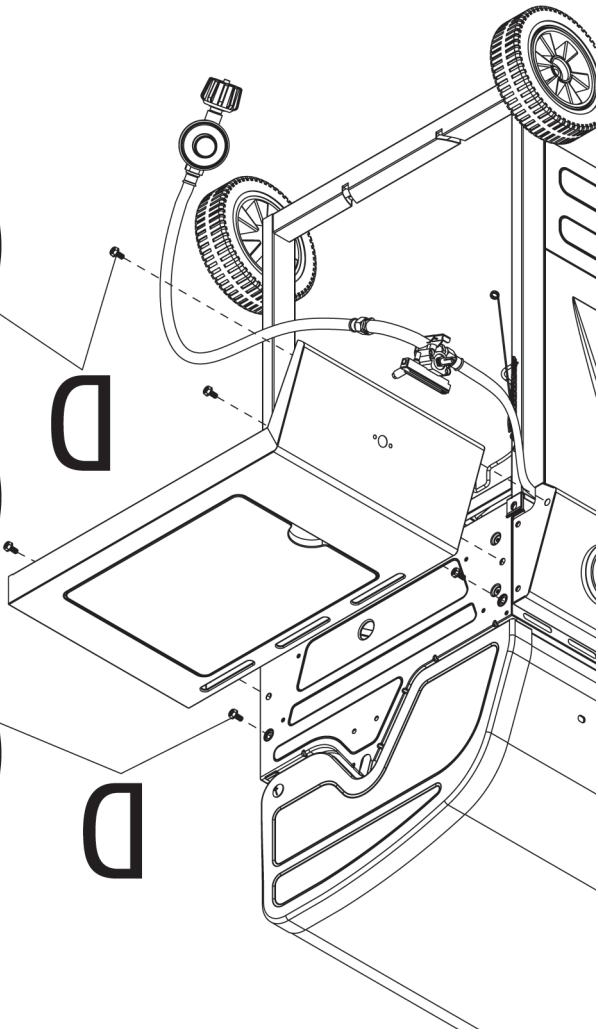
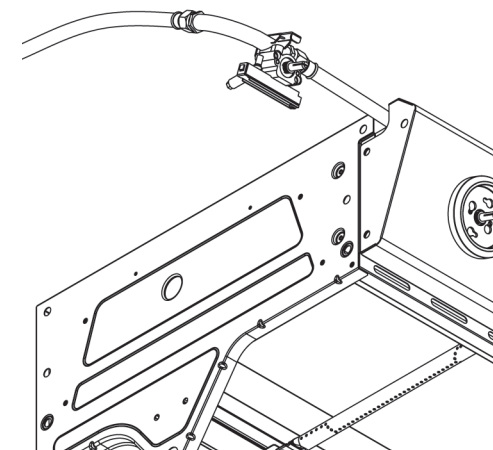
mande





5 mm du filetage des boulons demeurent visibles.

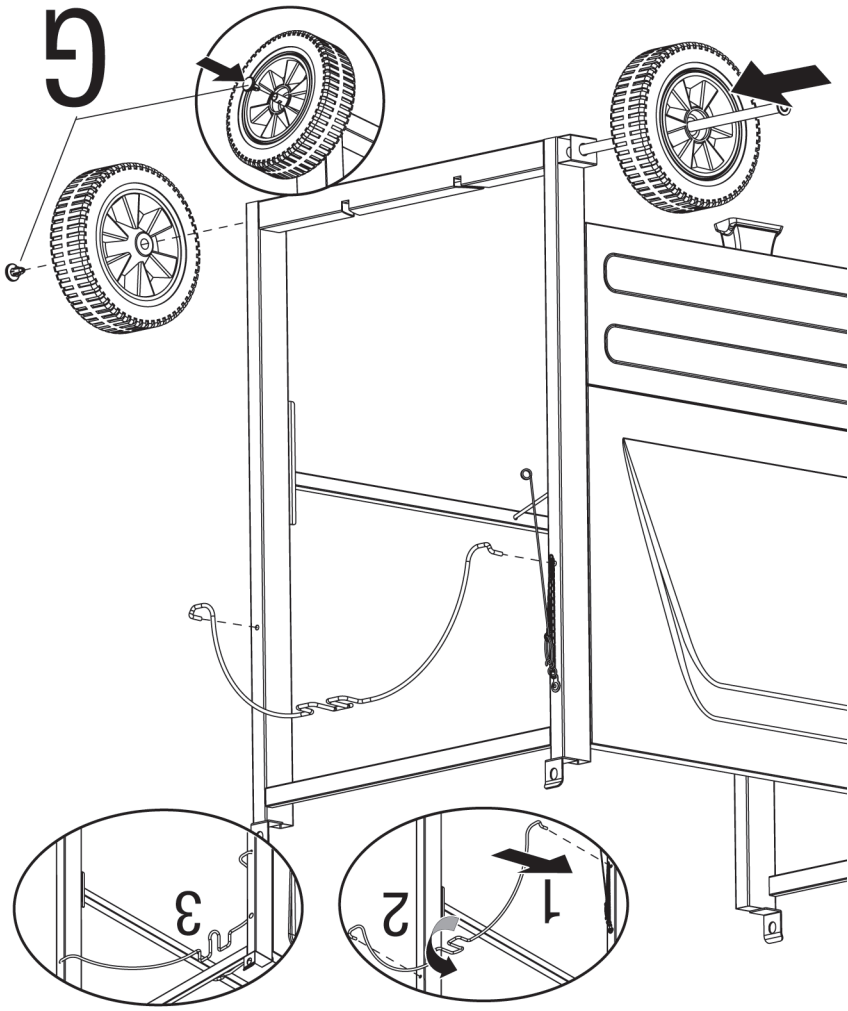
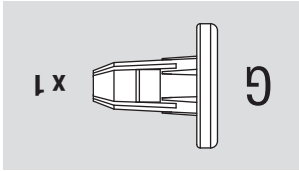
che



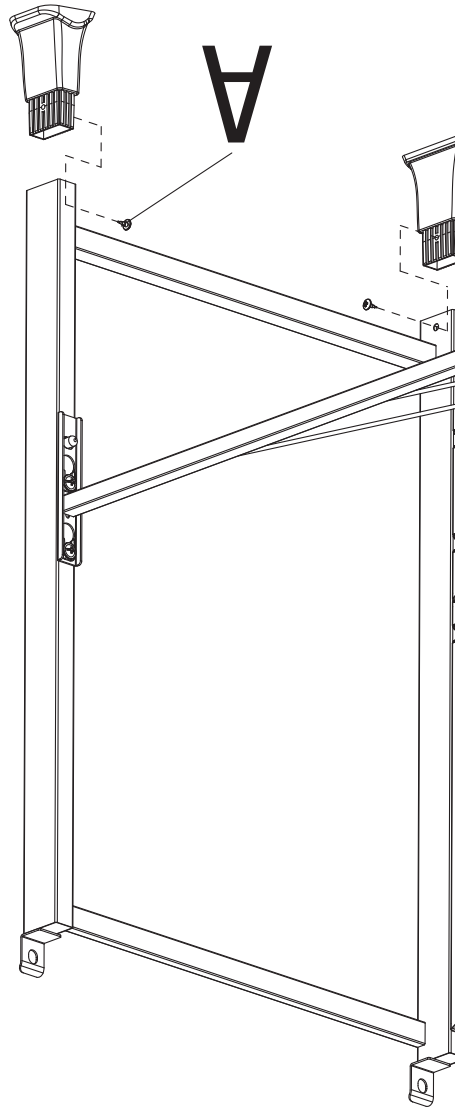
Remarque: Faites en sorte que 5 mm du filetage des boulons demeurent visibles.

Fixer la tablette droite

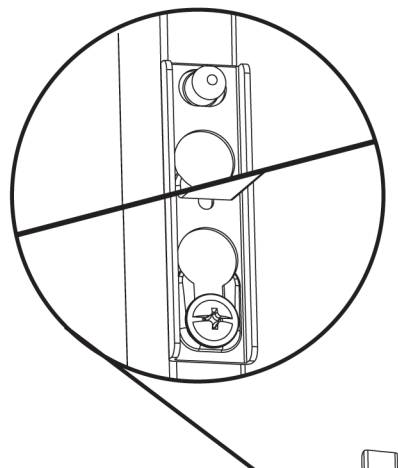
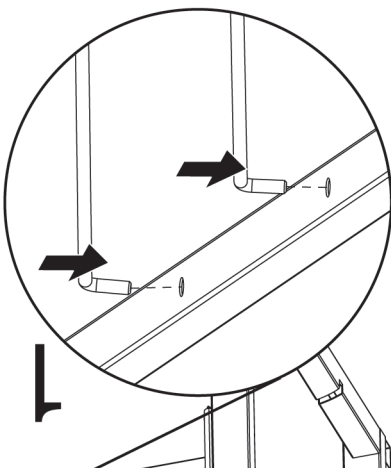
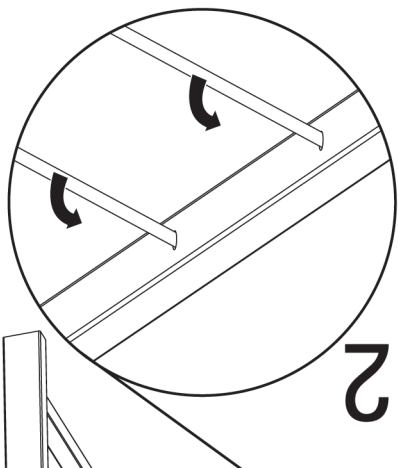


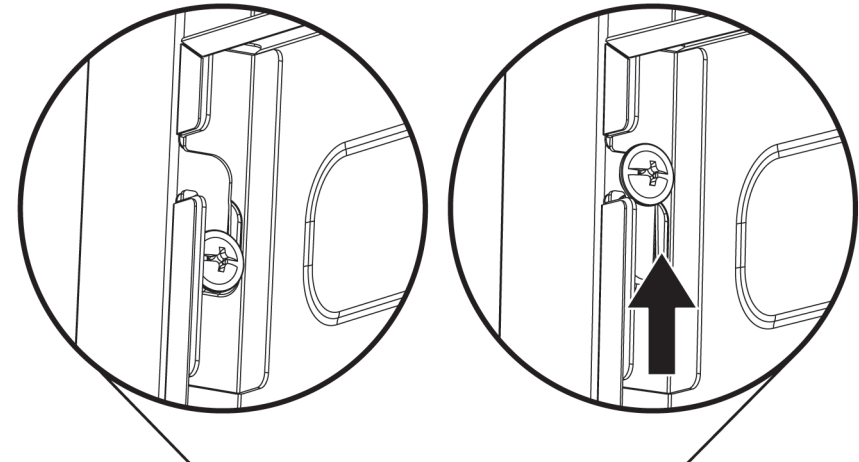


8 Fixer l'essieu, les roues et l'étrier de retenue de la bouteille de propane

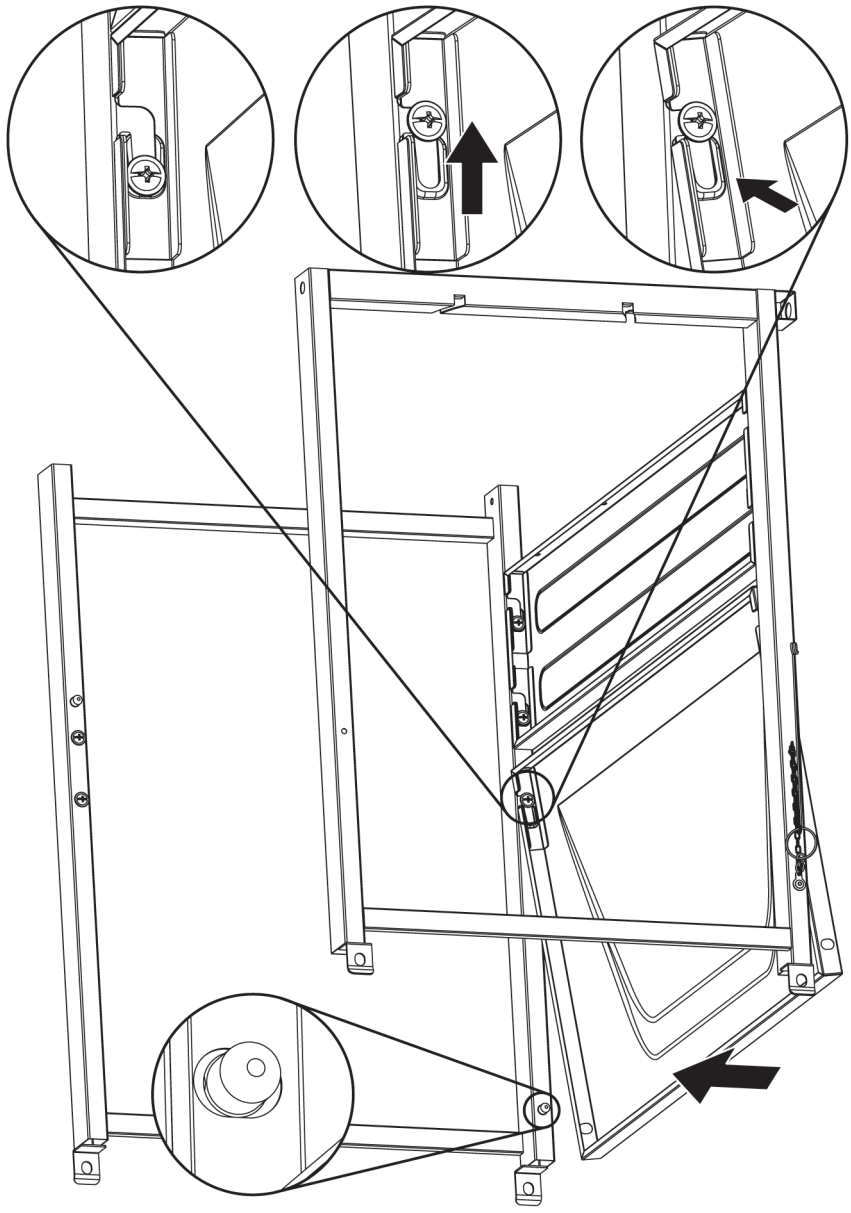


toutes les vis de étapes 2-5

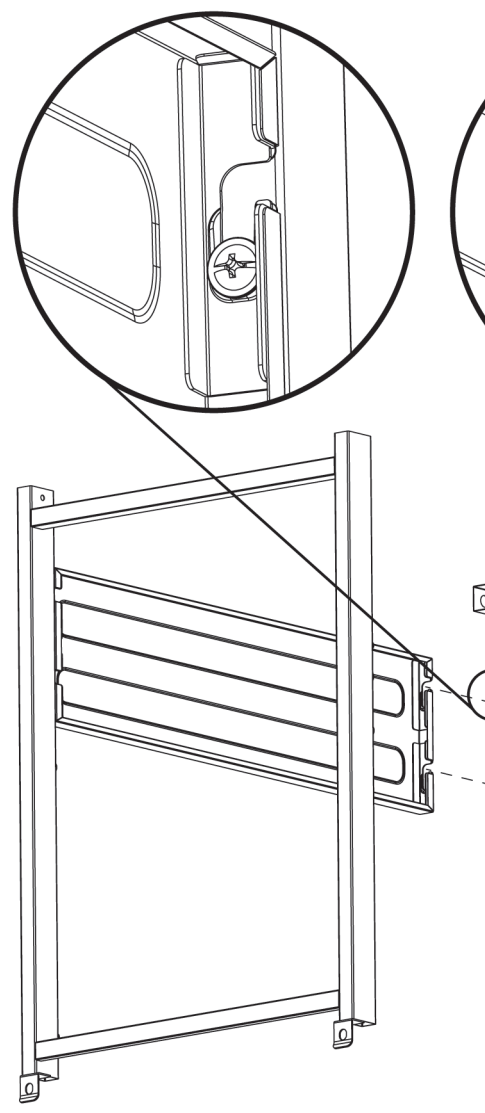




au chapitre « Fonctionnement »).
 outelle de propane liquide pour
 écision avec raccord de robinet à
 type 1 (barbecue taille standard).
) trousse de conversion au gaz
 02W-C) non comprise.
 e (1) heure.

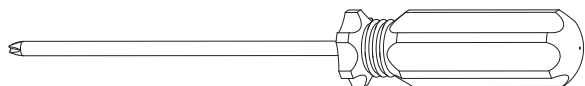


4 Fixer le panneau avant supérieur



nt intérieur

Outils requis pour l'assemblage (fournis)



Tournevis cruciforme Phillips n° 2 1 pc

Matériel

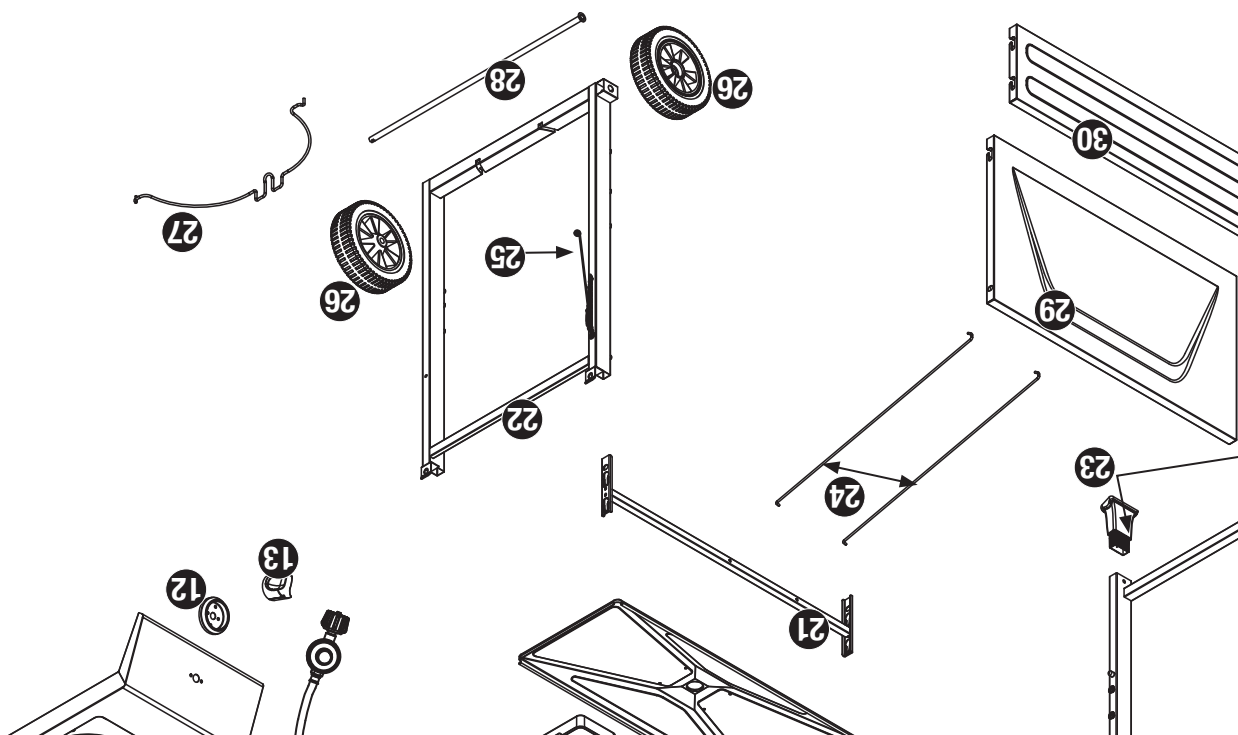
2 pcs	tête bombée Phillips, ST4,8x10
4 pcs	tête bombée Phillips, M4 x 10
2 pcs	tête bombée Phillips, M6x20
14 pcs	tête hexagonale Phillips, M6 x 16
6 pcs	
6,5	
1 pc	

Liste des pièces

G1646-160	22	Cadre droit du chariot
G1349-170	23	Pieds (2)
G1646-180	24	Tige de support du cadre du chariot (2)
B0223-D04	25	Tige d'allumage*
B0302-FA0	26	Roue (2)
G1349-190	27	Étrier de retenue de la bouteille de propane
G1646-200	28	Essieu
G1646-210	29	Panneau avant supérieur
G1646-220	30	Panneau avant inférieur

* Prémonté

G1205-090	12	Cadran du bouton de commande (5)*
G0900-100	13	Bouton de commande (5)
B0308-A18	14	Régulateur et tuyau*
B0406-001	15	Électrode du brûleur latéral*
B0219-H08	16	Collecteur de graisse
G1646-110	17	Tablette gauche
G1349-120	18	Décapsuleur*
G1646-130	19	Cadre gauche du chariot
G1646-140	20	Plaque à graisse
G1646-150	21	Barre de support arrière du cadre du chariot



écue dans un espace où le barbecue sera encasté. Le non-respect de cette mise en garde risque de provoquer une entraîner des dégâts matériels, des blessures graves voire la mort.

être nettoyé en entier régulièrement.

à chaque fois, avant d'utiliser l'appareil. En cas d'abrasion, d'usure, de coupures ou de fuite, le tuyau doit être remplacé mis en fonctionnement.

eur et le tuyau fournis. Le régulateur et le tuyau de rechange doivent être ceux spécifiés par Revolve Inc. Limited.

s agréées de l'usine Revolve Inc. Limited. L'emploi de toute pièce non agréée peut être dangereuse et entraînera

ant de lire le chapitre « Fonctionnement » de ce manuel.

atalliques du barbecue avant qu'il n'ait complètement refroidi (attendre environ 45 minutes) afin de ne pas se brûler à s de protection (gants, maniques, attirail de barbecue, etc.).

appareil à bord d'un bateau ou d'un véhicule récréatif.

toujours à portée de main des articles ou matières capables d'éteindre le feu. En cas de feu de graisse, ne tentez pas . Utilisez un extincteur à poudre BC ou étouffez le feu avec de la terre, du sable ou du bicarbonate de soude.

grand vent.

us du barbecue pour l'allumer.

e allumé sans surveillance surtout si des enfants ou des animaux domestiques et de compagnie se trouvent à proximité. ns surveillance lorsqu'il est en phase de préchauffage ni après la cuisson pour éliminer des résidus de nourriture par r sur son réglage maximum. Si le barbecue n'est pas nettoyé, un feu de graisse risque de se produire et d'endommager e sur le barbecue lorsqu'il est allumé.

n moment de placer quelque chose sur le barbecue lorsqu'il est allumé.

e barbecue quand il est allumé. Laissez le barbecue refroidir avant de le déplacer ou de le remiser.

tre débranchée et retirée avant de déplacer le barbecue.

ntérieur est autorisé seulement si la bouteille a été débranchée et retirée de l'appareil et correctement entreposée à vercle du barbecue lentement et avec précaution car la chaleur et la vapeur piégées à l'intérieur risquent de provoquer e régulateur de gaz de la bouteille ou de débrancher une pièce quelconque de l'alimentation du gaz lorsque le barbecue ur une surface plane et dure. Il est déconseillé de le placer sur de l'asphalte ou du bitume.

gaz le plus loin possible des surfaces chaudes et de l'égouttage des graisses brillantes.

cordons électriques demeurent toujours loin du barbecue lorsqu'il est chaud.

ou si le barbecue n'a pas été utilisé pour une certaine période, s'assurer qu'il n'y a pas de fuite et que les brûleurs ne liment que le tuyau ne présente pas de traces d'abrasion, d'usure ou de coupures.

couvercle ouvert lors de l'allumage des brûleurs du barbecue ou de ne pas attendre 5 minutes afin que le gaz se dissipe. Une pas, risque de provoquer une flamme soudaine explosive.

sans avoir installé auparavant le(s) diffuseur(s) de chaleur.

ermomètre à viande afin de s'assurer que la nourriture est cuite à une température adéquate.

n pour assembler cet article.

nes dans les autres afin d'éviter toute blessure et éviter d'endommager cet article.

ment la zone de cuisson avec du papier d'aluminium.

ent être strictement respectées et le non-respect de ces consignes risque de provoquer des dégâts matériels ou ves voire la mort.

immuable et dangereux si ce dernier n'est pas manipulé correctement. Il est indispensable de connaître les dangers de l'appareil fonctionnant au gaz naturel.

Immuable qui risque d'exploser sous pression. Le gaz naturel qui risque d'exploser sous pression, est plus lourd que l'air.

est inodore. Pour votre sécurité, un odorisant ayant l'odeur de choux avariés a été ajouté.

avec la peau risque d'entraîner des engelures.

partements : Vérifier auprès de la garantie pour connaître les conditions requises, la réglementation et le code de l'habitat complexe d'habitations collectives pour l'utilisation d'un barbecue au propane. Si permis, utiliser le barbecue en le plaçant à une distance de sécurité de 3,05 m (10 pieds) entre le barbecue et toute structure. NE PAS utiliser sur ou sous un balcon.

propane » peuvent être utilisés.

abriquée, marquée et mise en service conformément à la *Réglementation sur les bouteilles de gaz de pétrole liquéfié des États-Unis (DOT) ou répondre à la Norme nationale du Canada, CAN/CSAB339 sur les bouteilles, sphères et cylindres de gaz*.

placée afin de permettre l'extraction des vapeurs de gaz.

équipée d'un système d'arrêt volumétrique (OPD) empêchant tout remplissage excessif.

de propane équipées d'un dispositif de branchement compatible avec le raccord d'un appareil de cuisson de plein air.

éder un col afin de protéger le robinet et la valve de la bouteille.

propane si le corps, le robinet, le col ou le socle sont endommagés.

tant des traces de rouille risque d'être dangereuse et devrait être vérifiée par votre fournisseur avant de l'utiliser.

de propane ni la manipuler brusquement ou brutalement!

être entreposées à l'extérieur, hors de la portée des enfants et ne doivent pas être entreposées dans un bâtiment, un meuble ou une armoire. Les bouteilles de gaz ne doivent jamais être entreposées dans un endroit où la température risque de dépasser 50°C (122°F).

ps étranger dans la sortie du robinet de la bouteille de gaz ni dans la soupape de sécurité. Vous risquez d'entraîner des dommages graves.

provoquer une fuite. Toute fuite de propane risque de provoquer une explosion ou un incendie et d'entraîner des blessures graves.

us sur les côtés ou à l'arrière du barbecue.

propane pleine dans une voiture ou dans le coffre d'une voiture sous une forte chaleur. La chaleur peut provoquer la rupture de la bouteille et l'ouverture de la soupape de sécurité et laissera s'échapper du gaz.

sur la sortie du robinet d'une bouteille qui n'est pas utilisée. Utiliser uniquement le type de bouchon antipoussière approprié. D'autres types de bouchons pourraient ne pas être étanches et permettre des fuites de propane.

ntielle lorsque le barbecue n'est pas utilisé.

de propane de recharge sous ou à proximité de cet appareil.

propane à plus de 80% de sa capacité.

être strictement respectées et le non respect de ces consignes risque de provoquer un incendie et d'entraîner des blessures graves.

barbecue au circuit de propane d'une tente-caravane, autocaravane ou de votre maison.

ois, de liquide allume-barbecue, de pierres de lave, d'essence, de kérosène, de pétrole lampant ou d'alcool avec ce type de barbecue.

ine afin de s'assurer que les raccords ne présentent aucune fuite. Vérifier à nouveau tous les raccords en suivant les instructions du fabricant.

nement » du manuel car il est possible qu'ils se soient desserrés lors du transport.

aucune fuite même si ce dernier a été assemblé pour vous par quelqu'un d'autre.

s de fuite de gaz. Toute fuite de gaz risque de provoquer un incendie ou une explosion.

es procédures de détection de fuite avant d'utiliser cet appareil. Afin d'éviter tout risque d'incendie et d'explosion, ne pas utiliser le barbecue à proximité de sources d'ignition à proximité du barbecue lorsque l'on recherche une fuite.

en plein air, dans un emplacement bien aéré.

le brûlé ou de flammes nue afin de rechercher une fuite.

ents ou de drogues risquant de nuire à l'aptitude de l'utilisateur à assembler cet appareil en toute sécurité.

ou si vous avez un rhume ou des sinus bouchés, risquant de nuire à la détection d'une fuite de propane. Faites preuve de prudence lorsque vous effectuez un test d'étanchéité et recherchez une fuite.

POUR VOTRE SÉCURITÉ:
Pour usage à l'extérieur seulement
(hors de tout abri clos)

AVERTISSEMENT

S'il y a une odeur de gaz:
1. Coupez l'admission de gaz de l'appareil.
2. Éteindre toute flamme nue.
3. Ouvrir le couvercle.
4. Si l'odeur persiste, éloignez-vous de l'appareil et appelez immédiatement le fournisseur de gaz ou le service d'incendie.

DANGER

Ne jamais laisser cet appareil allumé sans surveillance.

DANGER

POUR VOTRE SÉCURITÉ:
1. Ne pas entreposer ni utiliser de l'essence ni d'autres vapeurs ou liquides inflammables dans le voisinage de l'appareil, ni de tout autre appareil.
2. Une bouteille de propane qui n'est pas raccordée en vue de son utilisation, ne doit pas être entreposée dans le voisinage de cet appareil ou de tout autre appareil.

AVERTISSEMENT

Trousse de conversion au gaz naturel
(modèle n° VFK1702W-C) disponible
chez Walmart ou sur le site www.walmart.ca

- Le non-respect de ces consignes risque de provoquer un incendie ou une explosion et d'entraîner des dégâts matériels, des blessures graves voire la mort.
- Ce manuel d'utilisation contient des consignes de sécurité indispensables au montage et au bon fonctionnement de l'appareil.
- Lire et suivre toutes les mises en garde et instructions avant d'assembler et d'utiliser l'appareil.
- Suivre toutes les mises en garde et instructions lors de l'utilisation de l'appareil.
- Conservé ce manuel afin de pouvoir s'y référer ultérieurement.

or need assistance during assembly, 4-0013

MANUEL AFIN DE POUVOIR LE CONSULTER ULTÉRIEUREMENT.
Cet appareil pour une autre personne, veuillez lui fournir le manuel afin
des récrétifs selon le cas.
S récrétifs ANSI A 119.2/NFPA 1192, la réglementation CSA Z240 pour
/CGA-B149.1 ou le Code sur le stockage et la manipulation du propane,
gaz combustible, les normes ANSI Z223.1/NFPA 54, le Code d'installation
appareil doivent être conformes aux codes locaux. En l'absence de codes
14
13
12
10
10
10
5
4
Page 2

Table des matières

