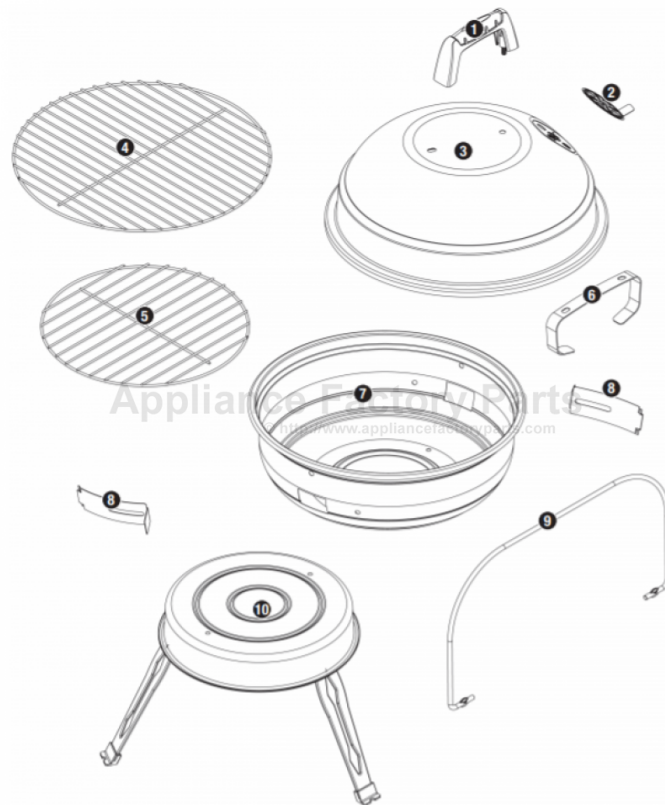


This Owner's Manual is provided and hosted by [Appliance Factory Parts](http://Appliance Factory Parts).



# GRILL BOSS CBT1102B Owner's Manual

[Shop genuine replacement parts for GRILL BOSS  
CBT1102B](#)



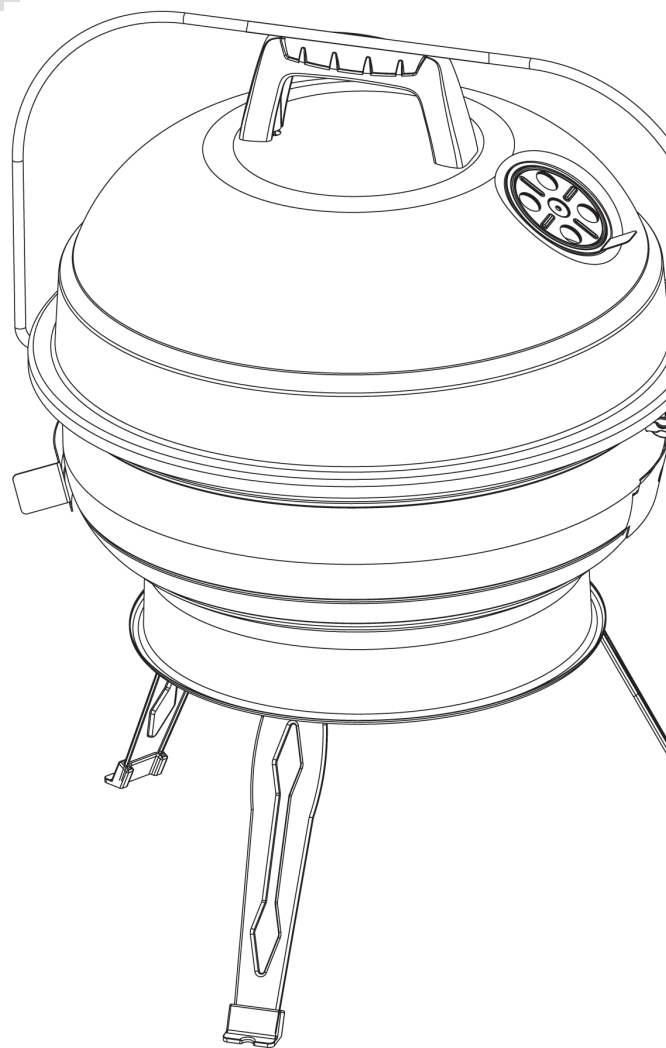
[Find Your GRILL BOSS Grill Parts - Select From 3 Models](#)

----- Manual continues below -----

# GrillBoss® **OWNER'S MANUAL**

## **Outdoor Charcoal Barbecue Grill**

Model No. CBT1102BR



### **WARNING**



#### **FOR YOUR SAFETY:**

1. Do NOT store or use gasoline or other flammable liquids or vapors in the vicinity of this or any other appliance.
2. When cooking with oil/grease, do NOT allow the oil/grease to exceed 350°F (176.5°C). Do NOT store or use extra cooking oil in the vicinity of this or any other appliance.



### **DANGER**



Never operate this appliance unattended.



### **WARNING**



**FOR YOUR SAFETY:**  
For Outdoor Use Only  
(outside any enclosure)



### **W**

#### **FOR YOUR SAFETY:**

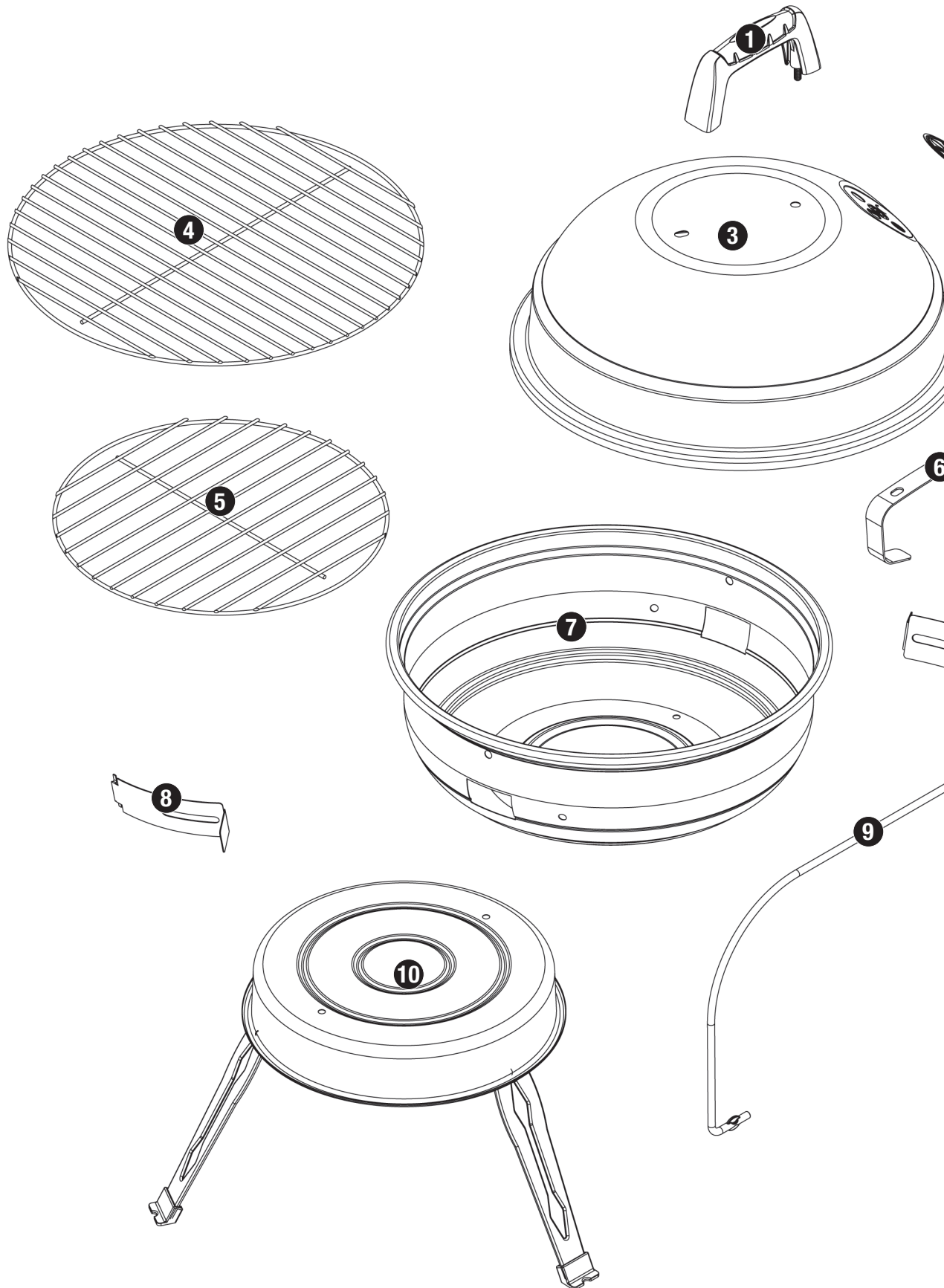
1. Improper installation, alteration, or use may cause injury.
2. Read the instructions and maintenance information before installation.



## Important Safeguards Warning

- ▲ This grill is for outdoor use only, and should NOT be used in a building, garage or any other enclosed area.
- ▲ Do NOT operate, light or use this appliance within ten feet (3.05 m) of walls, structures or buildings.
- ▲ For residential use only. This grill is NOT for commercial use.
- ▲ Never use charcoal that has been pre-treated with lighter fluid. Use only a high grade plain charcoal, charcoal/wood or wood. The conversion to or attempted use of any other fuel source in this charcoal grill is dangerous and will void your warranty.
- ▲ This grill is NOT intended for and should never be used as a heater. TOXIC fumes can accumulate and cause asphyxiation.
- ▲ Do NOT use grill for indoor cooking. TOXIC carbon monoxide fumes can accumulate and cause asphyxiation.
- ▲ This grill is safety certified for use in the United States and/or Canada only. Do NOT modify for use in any other location. Modification is a safety hazard and will void your warranty.
- ▲ Apartment dwellers: Check with management to learn the requirements and fire codes for using a charcoal grill in your area. Do NOT use outside on the ground floor with a ten foot (3.05 m) clearance from any structure. Do NOT use on or under balconies.
- ▲ Minimum clearance from sides and back of unit to combustible construction is 36 inches (91.4 cm). Do NOT use this grill under an overhang or roof.
- ▲ Do NOT use gasoline, kerosene or alcohol for lighting.
- ▲ Do NOT use in an explosive atmosphere. Keep grill area clear and free from combustible materials, gasoline and other flammable vapors.
- ▲ Do NOT store or use gasoline or other flammable liquids or vapors within 25 feet (7.62 m) of this appliance.
- ▲ Do NOT block holes in sides or back of grill.
- ▲ Inspect grill before each use.
- ▲ Do NOT alter grill in any manner. Any alteration will void your warranty.
- ▲ Do NOT build this model of grill in any built-in or slide-in construction. Ignoring this warning could cause a fire or an explosion, damage to property and cause serious bodily injury or death.
- ▲ Do NOT use the grill unless it is COMPLETELY assembled and all parts are securely fastened and tightened.
- ▲ This grill should be thoroughly cleaned and inspected on a regular basis.
- ▲ Use only RevoAce Inc. Limited factory-authorized parts. The use of any part that is not factory-authorized can be dangerous and void your warranty.
- ▲ Do NOT operate this appliance without reading “Operating Instructions” in this manual.
- ▲ To avoid burns, do NOT touch metal parts of grill until they have completely cooled, unless you are wearing protective gloves (e.g., mittens, etc.).
- ▲ Never touch grates (charcoal, cooking or warming), ashes or coals to see if they are hot.
- ▲ Do NOT use on wooden decks, wooden furniture or other combustible surfaces.
- ▲ This grill is NOT to be used in or on boats or recreational vehicles.
- ▲ Position grill so wind cannot carry ashes to combustible surfaces.
- ▲ Do NOT use in high winds.
- ▲ Never lean over the grill when lighting.
- ▲ Do NOT leave a lit grill unattended. Keep children and pets away from grill at all times.
- ▲ Do NOT attempt to move grill when in use. Allow the grill to cool before moving or storing.
- ▲ Do NOT leave grill unattended while preheating or burning off food residue.
- ▲ When cooking, fire extinguishing materials should be readily accessible. In the event of an oil/grease fire, do NOT attempt to extinguish with water. Use type BC dry chemical fire extinguisher or smother with dirt, sand or baking soda.
- ▲ Always open grill lid carefully and slowly as heat and steam trapped within grill can severely burn you.
- ▲ If grill has not been cleaned, a grease fire can occur that may damage the product.
- ▲ Do NOT place empty cooking vessels on the appliance while in operation.
- ▲ Use caution when placing anything on the grill while the appliance is in operation.
- ▲ Never add lighting fluid to hot or warm coals as a flashback may occur causing serious injury or damage to property.

# Expanded View



## Assembly Instructions

### 1 DO NOT RETURN TO PLACE OF PURCHASE.

For assistance, call **1.800.694.0013** toll-free. Please have your owner's manual and model number available for reference.

For Easiest Assembly:

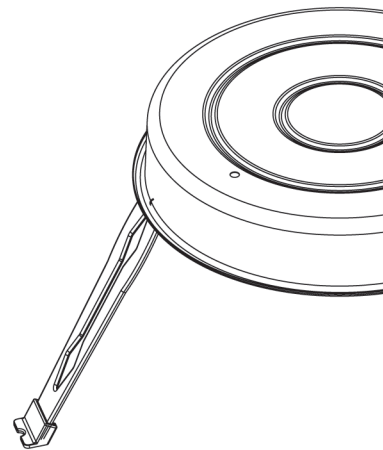
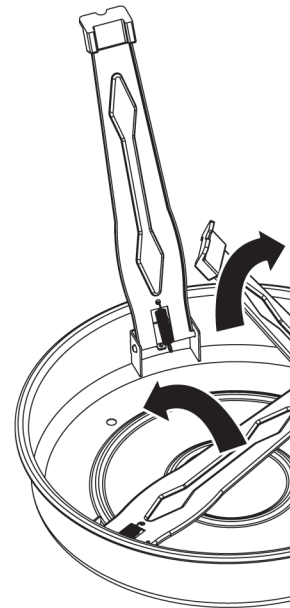
1. Select an area where you will assemble this product. To protect components, choose a smooth surface that's free of cracks or openings.
2. Spread out all parts.
3. Tighten all hardware connections by hand first. Then, before completing each step, go back and fully tighten all hardware. Be careful not to overtighten. That could damage surfaces or strip threads.
4. For best results, complete each step in the order presented.

To complete assembly you will need:

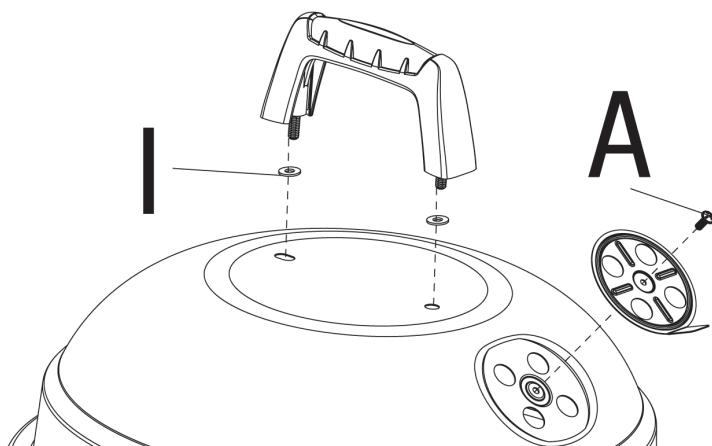
- One bag of charcoal (not included)

Typical assembly is approximately 15 minutes.

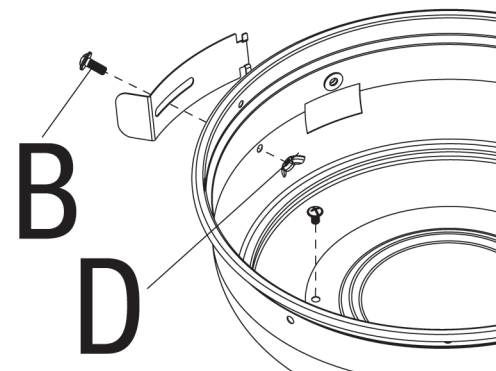
### 2 Open Legs



### 3 Attach Lid Air Vent, Lid Handle and Lid Support

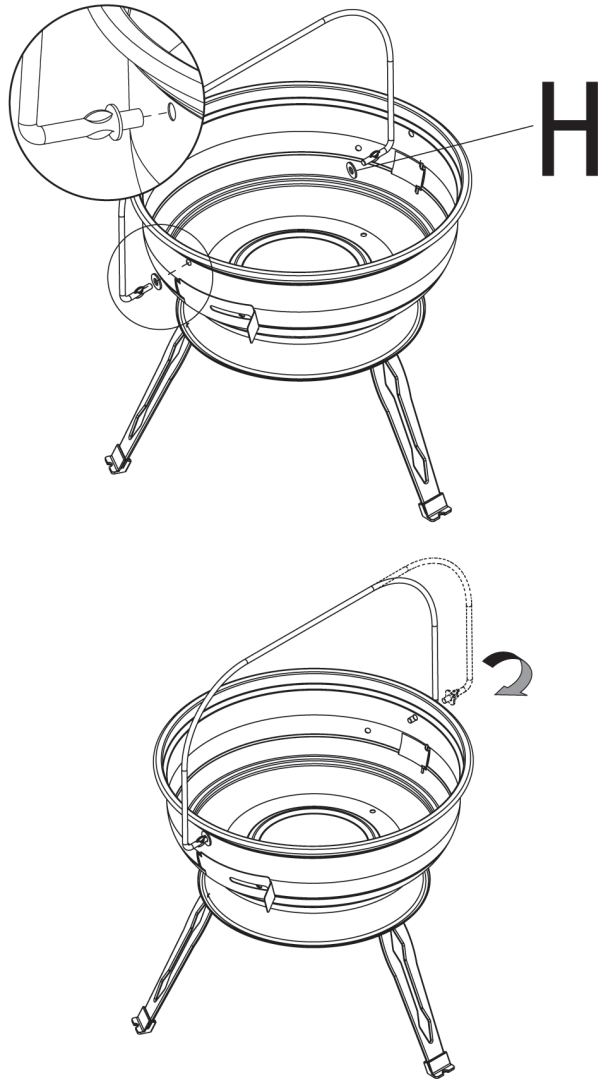


### 4 Attach Side Air Vents and



5

Attach Wire Handle



6

Attach Charcoal Grid and



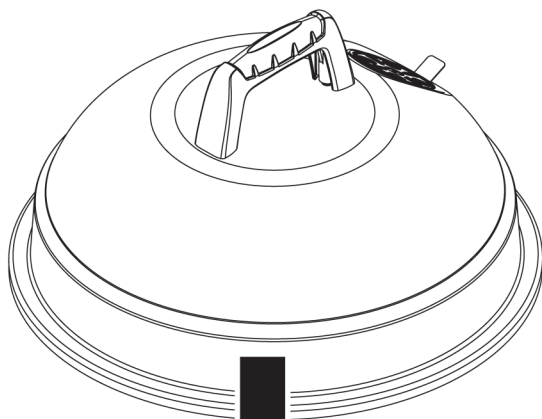
H



x 2

7

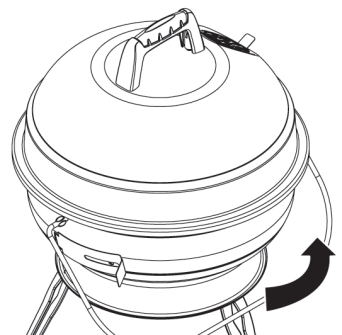
Attach Bottom Hinge



8

Locking Lid

Note: Lid must be locked before transporting the

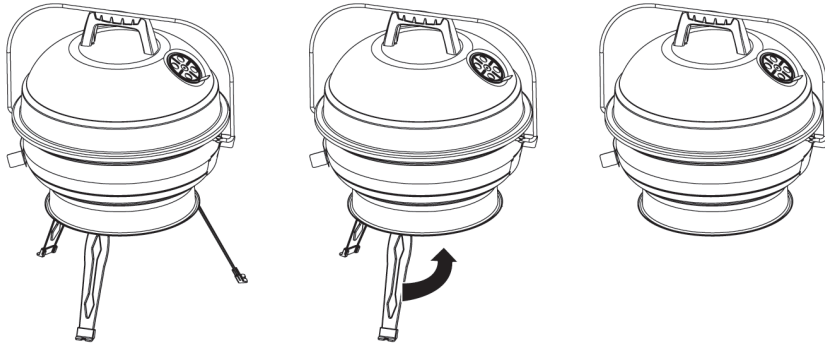




# 9

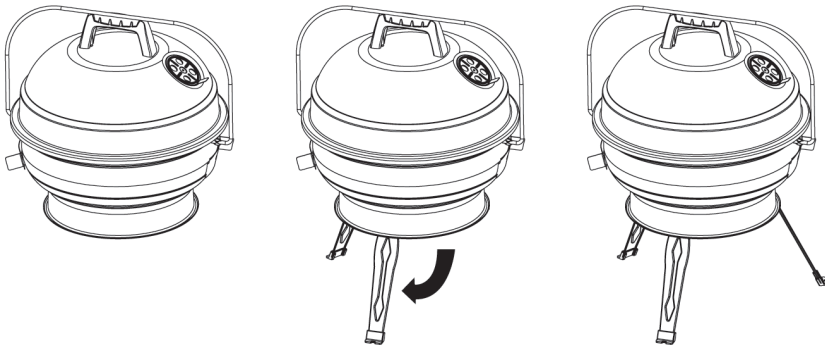
## Fold Up Legs

Note: Always lock lid before folding legs.



## Unfold Legs

Note: Always open legs completely and are secured in place before lighting the grill.



## Operating Instructions

### First Use

1. Make sure all labels, packaging and protective films have been removed from the grill.
2. Remove manufacturing oils before cooking on this grill for the first time, by operating the grill for at least 15 minutes with the lid closed. This will "heat clean" the internal parts and dissipate odors.

### Lighting Instructions

- ▲ **CAUTION: Keep outdoor cooking appliance area clear and free from combustible materials, gasoline and other flammable vapors and liquids.**
  - ▲ **CAUTION: Check to make sure the air vents are free of debris and ash before using the grill.**
  - ▲ **CAUTION: Attempting to light the grill with the lid closed may cause an explosion.**
  - ▲ **CAUTION: When using a liquid starter, always check bottom bowl before lighting. Fluid can collect in the bottom bowl and could ignite, resulting in a fire.**
  - ▲ **CAUTION: Never add lighting fluid to hot or warm coals as flashback may occur, causing serious injury or damage to property.**
1. Open lid and vents.
  2. Make sure bottom bowl is empty.
  3. Remove cooking grid.
  4. Arrange charcoal briquettes or other fuel on the bottom bowl to the "Fill Line" (Figure 1).



**CA**

**Never use charcoal t  
lighter fluid. Use only  
charcoal/wood mixtu  
wood.**

## Cleaning and Care

### Before Each Use:

1. Keep the grill area free and clear from any combustible materials, gasoline, and other flammable vapors and liquids.
2. See below for proper cleaning instructions.

### Cleaning Surfaces

1. Wait for grill to fully cool.
2. Wipe surfaces clean with a mild dishwashing detergent or baking soda mixed with water.
3. For stubborn stains, use a citrus-based degreaser and a nylon scrubbing brush.
4. Rinse clean with water.
5. Allow to air dry.

### Before Storing

1. Wait for grill to fully cool.
2. Clean all surfaces.
3. If storing the grill indoors, cover the grill and store in a cool dry place.
4. If storing the grill outdoors, cover the grill with a grill cover for protection from the weather.



1. All cleaning when grill is disposed of.
2. Do NOT clean oven. The ex



1. This grill should be inspected on
2. Abrasive clean
3. Never use oven grill.

## Limited Warranty

RevoAce, Inc. ("manufacturer") warrants to the original retail purchaser of this product, and to no other person, that if this product is operated in accordance with the printed instructions accompanying it, then for a period of one (1) year from the date of purchase, the product shall be free from defects in material and workmanship. Manufacturer may require reasonable proof of your date of purchase. Therefore, please retain your invoice. This Limited Warranty shall be limited to the repair or replacement of parts, which prove defective under normal use. Manufacturer shall determine in its reasonable discretion upon examination to be defective. Before returning any parts, you should contact the Customer Support Department using the contact information listed below. If manufacturer confirms, after examination, a defect covered by this warranty, and if manufacturer approves the claim, manufacturer will replace such defective part without charge. If you return defective parts, shipping is prepaid by you. manufacturer will return replacement parts to the original retail purchaser, freight or postage prepaid.

This Limited Warranty does not cover any failures or operating difficulties due to accident, abuse, misuse, alteration, misapplication, or improper maintenance or service by you or any third party, or failure to perform normal and routine maintenance on the product. In addition, the Limited Warranty does not cover damage to the finish, such as scratches, dents, discoloration, rust or other wear.

This Limited Warranty is in lieu of all other express warranties. manufacturer disclaims all warranties for products that are purchased from other than authorized retailers or distributors, including the warranty of merchantability or the warranty of fitness for a particular purpose. manufacturer DISCLAIMS ANY AND ALL IMPLIED WARRANTIES, INCLUDING WITHOUT LIMITATION THE IMPLIED WARRANTIES OF MERCHANTABILITY AND FITNESS FOR A PARTICULAR PURPOSE. MANUFACTURER SHALL HAVE NO LIABILITY TO PURCHASER OR ANY THIRD PARTY FOR ANY SPECIAL, INCIDENTAL, OR CONSEQUENTIAL DAMAGES. manufacturer further disclaims any implied or express warranty of, and assumes no responsibility for, any damage caused by third parties.

This Limited Warranty gives the purchaser specific legal rights; a purchaser may have other rights depending upon where he or she resides. This warranty may allow the exclusion or limitation of special, incidental or consequential damages, or limitations on how long a warranty lasts, and this warranty may not apply to everyone.

manufacturer does not authorize any person or company to assume for it any other obligation or liability in connection with the sale, return, or replacement of its equipment, and no such representations are binding on manufacturer.



