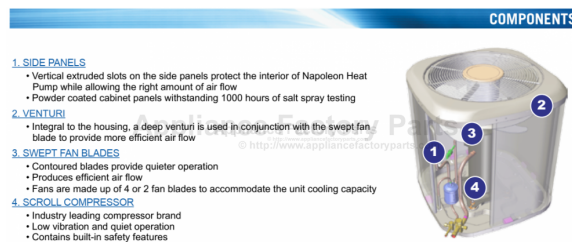


This Owner's Manual is provided and hosted by [Appliance Factory Parts](http://www.appliancefactoryparts.com).



Napoleon NT14H036A Owner's Manual

**[Shop genuine replacement parts for Napoleon
NT14H036A](#)**



[Find Your Napoleon HVAC Parts - Select From 105 Models](#)

----- Manual continues below -----

Technical Specifications



SPLIT SYSTEM HEAT PUMPS

Conforms to UL Standard 1995. Certified to CAN/CSA Standard C22.2 No.236.



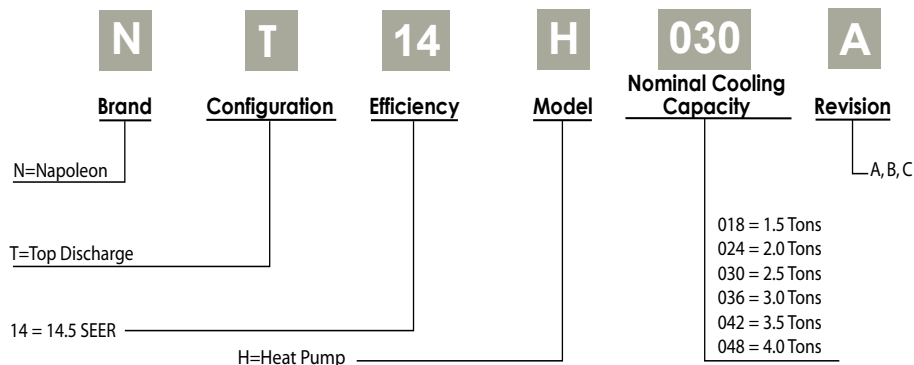
Environmentally Responsible

Napoleon Heat Pumps are made with the environmentally conscious, chlorine-free refrigerant R-410A. By using a refrigerant that is chlorine-free, Napoleon Heat Pumps do not contribute to ozone depletion.

FEATURES AND BENEFITS

- 14.5 SEER / 8.5 HSPF
- Capacities ranging from 1.5 tons to 4.0 tons
- Environmentally friendly R-410A refrigerant
- High Efficiency Copeland Scroll Compressors
- Fin and Tube Condenser
- Swept Fan Blades
- Permanently lubricated PSC motor
- Motor assembly is removable from top of unit
- Service valves and refrigerant connections are located outside the cabinet for easy accessibility and servicing
- Electrical connections are accessible through a removable service panel

NOMENCLATURE



COMPONENTS

1. SIDE PANELS

- Vertical extruded slots on the side panels protect the interior of Napoleon Heat Pump while allowing the right amount of air flow
- Powder coated cabinet panels withstanding 1000 hours of salt spray testing

2. VENTURI

- Integral to the housing, a deep venturi is used in conjunction with the swept fan blade to provide more efficient air flow

3. SWEPT FAN BLADES

- Contoured blades provide quieter operation
- Produces efficient air flow
- Fans are made up of 4 or 2 fan blades to accommodate the unit cooling capacity

4. SCROLL COMPRESSOR

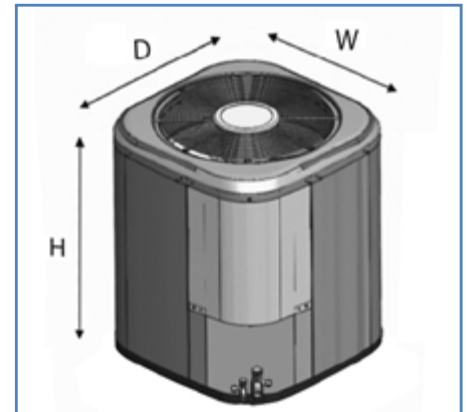
- Industry leading compressor brand
- Low vibration and quiet operation
- Contains built-in safety features



NT14H SPECIFICATIONS

DIMENSIONS

| NOM SIZE | MODEL | W (inch) | D (inch) | H (inch) | Weight (lb) |
|----------|-----------|----------|----------|----------|-------------|
| 1.5 Tons | NT14H018A | 24 | 24 | 27 | 180 |
| 2.0 Tons | NT14H024A | 24 | 24 | 27 | 180 |
| 2.5 Tons | NT14H030A | 29 1/2 | 29 1/2 | 27 | 210 |
| 3.0 Tons | NT14H036A | 29 1/2 | 29 1/2 | 27 | 210 |
| 3.5 Tons | NT14H042A | 29 1/2 | 29 1/2 | 47 7/8 | 260 |
| 4.0 Tons | NT14H048A | 29 1/2 | 29 1/2 | 47 7/8 | 260 |



ELECTRICAL

| DESCRIPTION | 1.5 Tons | 2.0 Tons | 2.5 Tons | 3.0 Tons | 3.5 Tons | 4.0 Tons |
|------------------------------------|----------------|-----------------|---------------|---------------|---------------|---------------|
| Compressor Type | Scroll | Scroll | Scroll | Scroll | Scroll | Scroll |
| Ref Charge (oz) 410A | 125 | 120 | 149 | 145 | 268 | 266 |
| Volt -Hz -Phase | 208/230-60-1 | 208/230-60-1 | 208/230-60-1 | 208/230-60-1 | 208/230-60-1 | 208/230-60-1 |
| Compressor LRA (A) | 56.3 | 62.9 | 67.8 | 72.2 | 109.0 | 123.9 |
| Compressor RLA (A) | 9.0 | 10.9 | 12.8 | 14.1 | 16.7 | 17.0 |
| Fan Blade Dia. / qty blades | 18"/4 | 18"/4 | 24"/2 | 24"/2 | 24"/2 | 24"/2 |
| Condenser Fan FLA / HP / RPM rated | 0.7/ 1/8 /1075 | 0.7/ 1/8 / 1075 | 0.8/ 1/6 /850 | 0.8/ 1/6 /850 | 0.8/ 1/6 /850 | 0.8/ 1/6 /850 |
| MCA | 12.0 | 14.3 | 16.8 | 18.4 | 21.7 | 22.4 |
| Max. Fuse/Breaker (A) | 20 | 25 | 25 | 30 | 35 | 35 |

LINE SET

| LINE SIZES | 1.5 Tons | 2.0 Tons | 2.5 Tons | 3.0 Tons | 3.5 Tons | 4.0 Tons |
|--------------|----------|----------|----------|----------|----------|----------|
| Liquid Line | 3/8" | 3/8" | 3/8" | 3/8" | 3/8" | 3/8" |
| Suction Line | 3/4" | 3/4" | 3/4" | 3/4" | 7/8" | 7/8" |

PERFORMANCE

| NOM SIZE | MODEL | Cooling Capacity Btu/h | SEER | Heating Capacity Btu/h | HSPF | SCFM Indoor Air Coil | Ref. |
|----------|-----------|------------------------|------|------------------------|------|----------------------|------|
| 1.5 Tons | NT14H018A | 18800 | 14.5 | 18000 | 8.5 | 660 | 410A |
| 2.0 Tons | NT14H024A | 23800 | 14.5 | 23000 | 8.5 | 840 | 410A |
| 2.5 Tons | NT14H030A | 28600 | 14.5 | 28000 | 8.5 | 1000 | 410A |
| 3.0 Tons | NT14H036A | 34000 | 14.5 | 33000 | 8.5 | 1200 | 410A |
| 3.5 Tons | NT14H042A | 40000 | 14.5 | 39600 | 8.5 | 1340 | 410A |
| 4.0 Tons | NT14H048A | 44000 | 14.5 | 43200 | 8.5 | 1580 | 410A |



24 Napoleon Road, Barrie, Ontario, Canada L4M 0G8

PHONE: 866-820-8686 • FAX: 705-725-1150

Website: www.napoleonheatingandcooling.com

General: hvac@napoleonproducts.com

Technical inquiries: hvacsupport@napoleonproducts.com



NOTE:

ALL NAPOLEON HEAT PUMPS SHALL BE INSTALLED WITH PROPERLY MATCHED SYSTEM COMPONENTS LISTED ON AHRI DIRECTORY.