

This Owner's Manual is provided and hosted by [Appliance Factory Parts](#).



Americana 2010.4.511 Owner's Manual

[Shop genuine replacement parts for Americana
2010.4.511](#)



[Find Your Americana Grill Parts - Select From 27 Models](#)

----- Manual continues below -----



Model 2010
Charcoal Grill
Carbon Parrilla
Charbon de Bois



Model 2010

Modele 2120
Electric Grill
Electrico Parrilla
Grill Electrique



Model 2120

Charcoal / Electric Grill User's Manual **Manual del Carbón-Eléctrica Parrilla usuario** **Manuel de charbon de bois-électrique Grill utilisateur**

MECO CORPORATION
GREENEVILLE, TN

For Outdoor Household Use Only. Not for Commercial Use.
Sólo para uso doméstico en exteriores. No es para uso comercial.
Pour l'extérieur USAGE DOMESTIQUE SEULEMENT. Pas d'utilisation commerciale.

! WARNING - ADVERTENCIA - AVIS

- This instruction manual contains important information necessary for the proper assembly and safe use of this appliance. Failure to follow these instructions could result in death or serious injury from explosion or fire.
- Read and follow all warnings and instructions carefully before assembling or using this appliance.
- Keep this manual for future reference. **SAVE THESE INSTRUCTIONS.**
- Este manual de instrucciones contiene información importante necesaria para el ensamblaje correcto y el uso seguro del aparato. No seguir estas instrucciones podría tener consecuencias fatales u ocasionar lesiones graves debido a explosiones o incendios.
- Lea y siga todas las advertencias e instrucciones cuidadosamente antes de ensamblar o utilizar este aparato.
- Guarde este manual para referencia futura. **GUARDE ESTAS INSTRUCCIONES.**
- Ce manuel d'instructions contient des informations importantes nécessaires au montage et une utilisation en toute sécurité de cet appareil. Le non-respect de ces instructions peut entraîner la mort ou des blessures graves à une explosion ou un incendie.
- Lisez et suivez tous les avertissements et les instructions attentivement avant de monter ou d'utiliser cet appareil.
- Conservez ce manuel pour référence future. **CONSERVER CES INSTRUCTIONS.**

DANGER

CARBON MONOXIDE HAZARD



This appliance can produce carbon monoxide, an odorless toxic gas. Using it in an enclosed space can kill you. Never use this appliance in an enclosed space, such as a camper, tent, car, or home. This appliance is not intended for and should never be used as a heater.

Meco Corporation strives to be a quality supplier of consumer products. If we omitted any parts needed for assembly, or you need troubleshooting information, please contact us using our toll free number or visit our website.

It is important to register your grill and retain your receipt.

1-800-251-7558
8 am - 4:00 pm E.S.T. Mon. - Fri.
1-423-639-1171 (Telephone)
1-423-639-2570 (Fax)

www.mecocorp.com

Consumer Service Department
MECO CORPORATION
1500 Industrial Road
Greeneville, TN 37745 USA

WARNING

To reduce the risk of serious bodily injury or death:

- Never use a grill unless all parts of the unit are firmly in place and the grill is stable.
- Do not wear loose clothing (example: hanging shirt tails, clothing with frills, etc.) around a grill while in use or hot.
- Do not touch hot surfaces. Use heat resistant gloves, long-handled tongs, or barbecue mitts at all times since the grill will become very hot.
- Do not allow children to operate or play near a grill. Keep animals and bystanders out of the grill area. Do not leave grill unattended.
- Do not attempt to extinguish a grease fire with water or other liquids. Have an ABC fire extinguisher nearby.
- Always have an ABC fire extinguisher, baking soda, a bucket of sand or a garden hose ready in case of an uncontrolled fire.
- The use of accessory attachments, not recommended by Meco, may cause injuries.
- Never move a hot grill or leave grill unattended during operation. Extinguish coals or unplug grill, close hood, and let cool before moving.
- Store grill out of the reach of children. Use weatherproof cover for outdoor storage.

WARNING

To reduce the risk of cut, pinching or other bodily injury:

- Wear protective gloves when handling or cleaning parts that could have sharp edges.
- Use care during assembly, use and cleaning.



WARNING: Cancer and Reproductive Harm -
www.P65Warnings.ca.gov

WARNING - Charcoal

To reduce the risk of serious bodily injury or death:

- Never use gasoline, kerosene, alcohol or other volatile fluids as a starter. They can explode.
- Do not use charcoal grill as a space heater.
- Do not use aerosols or store flammable liquids or materials near this charcoal grill. Cap lighter fluid immediately and place a safe distance from the grill.
- Instant light briquettes already have the starter blended in. Do not use lighter fluid, an electric starter, solid, or metal chimney starters.
- Do not add more instant light briquettes once the fire has been lit. To avoid flame-ups, unpleasant fumes and odors, add regular charcoal briquettes if needed.
- Once the grill has been lit, do not touch the charcoal briquettes/wood chunks to check if hot.
- Never add lighter fluid to already hot or warm coals.
- Do not close hood on flaming charcoal. If closed and re-opened, the flames could leap out
- Do not lean your body over the charcoal grill when lighting it, while it is hot or is in use.
- Do not move a charcoal grill when in use or hot.
- Allow grill to cool before handling parts or cleaning.
- To avoid an accidental fire, allow coals to burn out completely and let the ashes cool for 48 hours before disposing of them.

WARNING - Electric

To reduce the risk of serious bodily injury or death:

- To protect against electric shock, never immerse cord, plugs, or electric heating element in water or any other liquid. Do not clean this product with water spray or the like.
- Never leave heating element on when you are not cooking. Unplug grill from outlet when not in use or before cleaning. Allow grill to cool before cleaning or removing parts.
- Never operate any appliance with damaged electrical components or after the appliance has malfunctioned. Inspect regularly supply cord and connections. If Cord, Element or Control is damaged or worn, it must be replaced with an OEM Meco part. Contact Meco Customer Service Department with your grills Serial Number and your Proof of Purchase.
- Never move a hot grill or leave grill unattended during operation. Unplug grill, close hood, and let cool before moving.
- Never use an electric grill in the rain, sleet, or snow.
- Never use electric grill near combustible or flammable materials; or place on or near a hot gas or electric burner, or in a heated oven. Never let cord touch hot surfaces.
- Use only a properly grounded 110-120 VAC outlet. Always attach plug to appliance first unless permanently attached. Then plug cord into the wall outlet. Turn Control knob(s) to OFF POSITION before unplugging electric grill.
- Electrical supply cords should always be secured during appliance operation to protect against personal injury or product damage. Never let cord hang over edge of table or counter where it can be pulled or tripped over or touch hot surfaces.
- The use of longer detachable power supply cords or extension cords is not recommended. However, if such cords are used, they must be the same 3-wire grounded type and the electrical rating at least as great as the appliance cord (14AWG). Outdoor extension cords should be used with outdoor use products and are surface marked with suffix letters "WA" and with a tag stating "Suitable for Use With Outdoor Appliances". Length of the cord should be kept short as possible.

WARNING USING CHARCOAL

To reduce the risk of serious injury or death from explosion or fire:

- Be careful when burning charcoal to avoid getting burned from flame, heat or hot coals.
- Be aware of the wind blown sparks.
- The use of alcohol, prescription or non-prescription drugs could impair the consumer's ability to properly assemble or safely operate this appliance.

WARNING SELECTING A LOCATION

To reduce the risk of serious injury or death from explosion or fire:

- Locate your grill in an open area away from buildings, dry leaves, or brush, and at least 10 feet away from your house or building.
- Always make sure the grill is on a level, stable surface and not tilted toward the front or back.
- Do not use the grill in a garage, breezeway, carport, porch, on or under any surface that can catch fire.
- Do not use a charcoal grill indoors, on recreational vehicles, or on boats.

WARNING STARTING A FIRE

To reduce the risk of serious injury or death from explosion or fire:

- Make certain you leave the Hood off until the flames have died down.
- Should electrically operated starters be used, be sure they are properly grounded according to local codes. Electrical cords should be placed away from walkways or traffic areas.
- Do not use lighter fluid, an electric fire starter solid, or chimney starters with instant light charcoal.
- Use barbecue mitts and long handled tongs to spread out the hot charcoal.
- If there is any type of fire that threatens either personal safety or property, call the fire department.

WARNING COOKING ON YOUR GRILL

To reduce risk of burns from the hot air and steam trapped inside, open the Hood carefully when grill roasting.

- Do not grasp the Cooking Grid with your hands while it is hot. Use barbecue mitts for handling.
- If flare-ups occur, close the Vents for at least one minute to stop flare-up. Do not use water.

WARNING END OF COOKING SESSION

To reduce the risk of serious injury or death:

- Allow the grill to cool completely before cleaning, transporting or storing.
- Do not store charcoal and lighter fluid indoors.
- Do not store additional charcoal and lighter fluid under or near the grill while it is hot.
- To avoid a fire or explosion, do not store charcoal or lighter fluid near a heat source.
- Always cap the lighter fluid when not in use.

CARE OF YOUR LOCK 'N GO GRILL

For easier cleaning, line the bottom of the fire bowl with heavy duty or a double layer of aluminum foil.

Ashes...Remove the ashes after each time you cook but wait until the charcoal has cooled. Pour out the ashes or wrap them in the aluminum foil from the bottom of the Bowl. Never put hot ashes in a garbage container. Use a garden hose to wash out accumulated grease and ashes. Let the grill dry before closing and storing.

Cooking Grid...Use a detergent and hot water solution just as you would for any cooking equipment. A stiff brush may be helpful in removing heavy grease deposits.

Hood and Bowl...Dampen a cloth in hot water and a detergent solution. Then, wipe both the inside and outside of the hood and bowl. **CAUTION:** Be careful around sharp edges of the grill. Wipe all areas dry before storing. Note: Do not use oven cleaner or abrasive cleaner on your grill. This may cause damage to the paint finish.

Storage...After you have cleaned your grill, store it in a clean, dry area. Leave all the vents open so moisture does not collect inside causing rust. If you store your grill outside, close the top vent to keep the rain out.

If rust appears on your grill, clean and buff the affected area with steel wool. Touch up bare metal with a high heat paint specified for barbecue grills. Follow paint manufacturer's instructions for use.

BREAK-IN

To get the best flavor from your first cook and remove any manufacturing oils, “break-in” your grill.

For Electric use, break-in the element to remove the new appliance smell before cooking for the first time. Once assembled, plug in the element, set the control on high and burn it for about 10 minutes with the hood off.

To break-in with Charcoal, follow the charcoal lighting instructions to start approximately one pound of charcoal. When flames go out and charcoal has started to turn gray, place the hood on the bowl with the vent dampers on the hood open. Allow the charcoal to burn completely. Allow the grill to cool then empty the ashes and you are ready to cook.

STARTING A CHARCOAL FIRE IN YOUR GRILL

STEP 1. Use a high quality hardwood charcoal to make sure you get a good fire. Charcoal briquettes made from maple, oak, birch or elm woods will burn clean with very little smoke and without unpleasant odors.

STEP 2. Remove the hood.

STEP 3. Remove the Cooking Grid and place the Charcoal Pan in the bottom of the Bowl.

STEP 4. Place two to three pounds of charcoal (30-50 briquettes) in the bottom of the grill.

STEP 5. Make a pyramid shaped stack in the center of the Charcoal Pan and pour on charcoal lighter fluid following the instructions on the container.

STEP 6. Let the lighter fluid soak in for approximately one minute.

STEP 7. Carefully light the charcoal and let it burn for 20 to 30 minutes or until it is covered with a light gray ash. NOTE: For a hot fire in a hurry, use a fan or a bellows to create extra air movement over the charcoal. Be careful not to blow the ashes out of the grill.

STEP 8. Use long-handled tongs to arrange the charcoal in a checkerboard pattern. Leave about one-half inch of space between each piece of charcoal. This will help you to avoid flare-up from the meat drippings and will give you more even heat for grilling.

COOKING ON YOUR GRILL

VENTS FOR ADJUSTABLE DRAFT...

FOR ELECTRIC: Leave the hood vents CLOSED to INCREASE the heat, leave the hood vents OPEN to DECREASE the heat.

FOR CHARCOAL: Leave the hood vents OPEN to INCREASE the heat, leave the hood vents CLOSED to DECREASE the heat. It takes a few minutes for the charcoal to react to the vent adjustment.

PUTTING OUT THE CHARCOAL...Save your charcoal to use again by closing the hood vents. The charcoal will go out in a little while and the next time you cook, you will need to add less new charcoal.

SMOKING: For true smoke flavor, use chips or chunks of wood from nut or fruit trees such as hickory, walnut, cherry or apple. Soak the chips in water overnight (or at least 2 hours before cooking) so they will not burn quickly when you put them on the charcoal or directly on the electric element. Do not use more than a small handful of chips or 3-4 chunks at a time. The wood will ignite when dried and rapidly increase the heat in the grill so pay close attention and extinguish the chunks if they continue to burn.

After you get the fire started and charcoal spread out, scatter the soaked chips on top of the hot charcoal using tongs. Spray the Cooking Grid with cooking spray so food does not stick. Place the meat on the grid, close the hood, and adjust the vents for the desired heat.

COOKING WITH THE ELECTRIC ELEMENT is similar to cooking with the charcoal model but is far simpler as no lighter fluid or charcoal is needed and the element is very consistent. Cooking times may vary slightly as the electric element may be slower to heat back up after the hood has been opened.

Cook with hood covered to preserve natural food juices and enhance smoke flavor. Cook hamburger-hot dog-steak favorites on High. Cook small items like Cornish hens, that you wish to cook long and slow, on Low or Medium.

Note: The electric element is a slower but more constant heat source than charcoal but should not be confused with an indoor electric skillet. THIS GRILL IS FOR OUTDOOR HOUSEHOLD USE ONLY.

FLARE-UPS...Close the vents for at least one minute to stop flare-ups.

— AVISO —

MECO SE ESFUERZA EN SER UN PROVEEDOR DE PRODUCTOS DE CALIDAD PARA EL CONSUMIDOR. SI INADVERTIDAMENTE OMITIMOS ALGUNA PIEZA NECESARIA PARA ARMAR ESTA UNIDAD, O SI USTED NECESITA INFORMACIÓN PARA RESOLVER ALGÚN PROBLEMA QUE ENCUENTRE, LE ROGAMOS QUE SE PONGA EN CONTACTO CON NOSOTROS MEDIANTE NUESTRO NÚMERO DE TELÉFONO GRATUITO DE SERVICIO AL CLIENTE. MECO LE ENVIARÁ LAS PIEZAS FALTANTES DE LUNES A VIERNES EN UN PLAZO DE 24 HORAS. LOS SÁBADOS Y DOMINGOS, EL PEDIDO SERÁ ENVIADO EL SIGUIENTE DÍA LABORAL. GRACIAS POR COMPRAR UN PRODUCTO DE MECO.

1-800-251-7558
8 am - 4:00 pm E.S.T. Mon. - Fri.
1-423-639-1171 (TELÉFONO)
1-423-639-2570 (Fax)

www.mecocorp.com

DEPARTAMENTO DE SERVICIO AL CLIENTE
MECO CORPORATION
1500 Industrial Road
Greenville, TN 37745 USA

IMPORTANTE INFORMACIÓN DE SEGURIDAD

ADVERTENCIA: EL NO SEGUIR ESTAS ADVERTENCIAS DE SEGURIDAD PUEDE RESULTAR EN LESIONES DE SERIEDAD Y PÉRDIDAS MATERIALES. LEA ATENTAMENTE LAS INSTRUCCIONES Y SÍGALAS ANTES DE USAR LA PARRILLA.

PRECAUCIONES CUANDO SE UTILIZA CARBÓN

ADVERTENCIA: No use carbón para cocinar o calentar en interiores. Los gases tóxicos de monóxido de carbono pueden acumularse y causar la muerte.

ADVERTENCIA: No use gasolina, keroseno ni alcohol para encender el carbón.

ADVERTENCIA: Mantenga a los niños alejados de la parrilla para evitar quemaduras.

PRECAUCIÓN: Abra la tapa con cuidado cuando esté cocinando. El aire caliente y el vapor atrapados dentro pueden quemarle.

PRECAUCIÓN: Use un recipiente para recoger el goteo de la parrilla cuando cocine sobre un piso de madera.

PRECAUCIONES CON EL SISTEMA ELÉCTRICO

1. Lea las instrucciones.
2. ADVERTENCIA: NO USE CARBÓN EN UNA PARRILLA ELÉCTRICA.
3. Siempre use su parrilla en un lugar bien ventilado. Nunca toque las superficies calientes. Use tenazas o guantes de cocinar en todo momento, ya que la parrilla estará muy caliente. Abra la tapa con mucho cuidado cuando esté cocinando para evitar quemarse con el aire caliente y el vapor atrapados dentro de la parrilla.
4. Utilice ropa que no tenga partes colgantes ni esté muy suelta.
5. Use bicarbonato de sodio para controlar cualquier incendio de grasa y tenga un extintor a la mano.
6. Cuando un niño use los utensilios de cocina o esté cerca de la parrilla, vigílelo muy de cerca. Mantenga a los espectadores fuera del área donde esté cocinando.
7. Nunca use una parrilla eléctrica cuando esté lloviendo, helando o nevando.
8. Nunca use una parrilla eléctrica cerca de materiales inflamables o combustibles.
9. Los cables eléctricos deberán siempre estar asegurados durante el uso de la parrilla para evitar daños al producto o lesiones personales. No deje que el cable cuelgue sobre el borde de la mesa o mostrador, ni que toque superficies calientes.
10. Para protegerse contra una posible electrocución, nunca sumerja el cable, el enchufe ni el elemento de calentamiento en agua ni cualquier otro líquido.
11. Nunca deje el elemento de calentamiento prendido cuando no esté cocinando. No deje la parrilla sin supervisar. Desconecte la parrilla de su toma de corriente cuando no la esté usando, y antes de limpiarla o moverla. Permita que se enfríe antes de limpiarla, o instalar o desmontar piezas. No limpie la parrilla con un chorro de agua a presión ni nada similar.

12. Inspeccione con regularidad las conexiones eléctricas. Nunca use un utensilio eléctrico que tenga piezas dañadas, que esté fallando o que tenga algún desperfecto. Lleve el aparato al centro de servicio autorizado más cercano para que lo examinen, reparen o ajusten.
13. Use el aparato solamente para el propósito para el que fue diseñado y no lo altere de ninguna manera. El fabricante no recomienda el uso de accesorios y si los usa se pueden producir lesiones.
14. Use únicamente tomas de corriente de 110-120 V con una puesta a tierra adecuada. Siempre conecte el cable al aparato primero. Luego, enchufe la parrilla a la toma de corriente en la pared. Gire los controles a la posición de apagado "OFF" antes de desconectar el cable eléctrico.
15. No es recomendable el uso de extensiones eléctricas o de cables más largos. Sin embargo, si los usa, éstos deberán ser del mismo calibre o superior que el cable trifilar de puesta a tierra de 14 que lleva la unidad.

La superficie del cable deberá estar marcada con el sufijo "W-A" y tener una etiqueta que diga "Satisfactorio para ser usado con aparatos al aire libre". Cuando se usen cables de extensión, los enchufes deben mantenerse secos y alejados del piso. El largo de la extensión debe mantenerse tan corto como sea posible y arreglado de manera que no cause tropiezos accidentales.

16. Use una cubierta protectora impermeable cuando vaya a almacenar la unidad a la intemperie o guárdela a cubierto fuera del alcance de los niños.
17. NOTA: El control modelo 1516 y el elemento eléctrico modelo 1517 son SOLAMENTE para uso con las Parrillas eléctricas portátiles modelo 2120 de MECO. El modelo 1519 es el juego eléctrico de reemplazo completo (o de conversión para la unidad de carbón modelo 2010).

GUARDE ESTAS INSTRUCCIONES

USO Y CUIDADO:

PARA ESTRENAR el elemento y eliminar el olor a nuevo antes de cocinar por primera vez. Enchufe el elemento, fije el control a la temperatura máxima (High) y déjelo calentar entre 5 y 10 minutos sin la tapa.

COCINAR con electricidad es muy sencillo y similar a cocinar con carbón. El tiempo que la comida tarda en cocinarse varía ligeramente, pero no necesitará usar líquidos de encendido ni limpiar el carbón al acabar de cocinar. Para obtener mejores resultados, cocine con la tapa puesta para conservar los jugos naturales y realzar el sabor ahumado. Cocine hamburguesas, salchichas y carnes a temperatura alta, y otros alimentos, como pollos pequeños y similares, a temperatura media o baja. Siempre que sea posible, use un termómetro para carne para cocinar piezas de carne enteras.

LAS COMPUERTAS DE VENTILACIÓN controlan la cantidad de humo. Ábralas a la mitad o totalmente cuando use carbón, y sólo ligeramente cuando use electricidad. Para realzar aún más el sabor ahumado, coloque astillas de nogal o mesquite alrededor de la espiral del elemento. Puede poner pedazos pequeños de madera sobre la espiral del elemento o tocándola. Remoje los pedazos de madera en agua de 30 a 60 minutos antes de cocinar. La cantidad de madera variará de acuerdo a la cantidad de carne o intensidad de sabor ahumado que usted desee.

LA LIMPIEZA le será más fácil si rocía la bandeja reflectora y la rejilla con un rociador para cocinar que evite que la comida se pegue. Para una mayor protección, cubra el fondo del tazón con papel aluminio. Cuando la parrilla se haya enfriado, lave la rejilla y el exterior de la tapa y el tazón con agua tibia jabonosa. **NUNCA USE LIMPIADORES PARA HORNO.** Afloje un par de vueltas el perno y la tuerca ciega en la pestaña del protector. Levante el elemento, saque la bandeja reflectora y el recipiente para grasa. Lávelas; limpie el fondo del tazón y las espirales del elemento. Limpie el control. Coloque de nuevo las piezas limpias en su lugar. Apriete de nuevo el perno y la tuerca ciega. Deseche el carbón y las cenizas cuando se hayan apagado completamente.

— AVIS —

MECO s'efforce d'être un fournisseur de qualité. Si, par inadvertance, il arrivait qu'une pièce détachée vienne à manquer, ou si vous souhaitez d'autres informations, n'hésitez pas à nous contacter en utilisant notre numéro vert. Merci d'avoir acheté un produit MECO.

1-800-251-7558
8 am - 4:00 pm E.S.T. Mon. - Fri.
1-423-639-1171 (Telephone)
1-423-639-2570 (Fax)

www.mecocorp.com

Consumer Service Department
MECO CORPORATION
1500 Industrial Road
Greenville, TN 37745 USA

RÈGLES DE SÉCURITÉ POUR LE CHARBON DE BOIS

- ▲ **AVIS:** Ne pas employer le charbon de bois pour la cuisson ou le chauffage à l'intérieur. Des vapeurs toxiques d'oxyde de carbone peuvent s'accumuler et causer la mort.
- ▲ **MISE EN GARDE:** Ne pas employer ni l'essence, ni le kérosène ni l'alcool pour allumer le charbon de bois.
- ▲ **MISE EN GARDE:** Ne pas employer le charbon de bois à allumage instantané.
- ▲ **AVIS:** Tenir les petits enfants loin de la grille pour éviter les brûlures.
- ▲ **MISE EN GARDE:** Ouvrir le couvercle avec soin pendant la cuisson. L'air et les vapeurs retenues dedans sont chaudes.
- ▲ **MISE EN GARDE:** Employez une lèche-frite sous le grill à charbon de bois si vous l'utilisez sur une terrasse en bois.

PRÉCAUTIONS IMPORTANTES

AVIS: LE NON RESPECT DE CES RÈGLES DE SÉCURITÉ PEUVENT MENER À UNE BLESSURE GRAVE OU À LA PERTE DE PROPRIÉTÉ. LIRE ET SUIVRE ATTENTIVEMENT LES INSTRUCTIONS AVANT D'UTILISER LE GRIL.

MISE EN GARDE: CET APPAREIL EST PRÉVU POUR EMPLOI DOMESTIQUE, NON-COMMERCIAL À L'EXTÉRIEUR.

1. Les toutes les instructions.
2. Ne pas toucher aux surfaces chaudes. Utiliser des poignées ou porter des gants appropriés. Ouvrir le couvercle soigneusement lors de la cuisson afin d'éviter toute brûlure d'air chaud et de vapeur.
3. Pour protéger contre les secousses électriques, ne pas immerger le cordon, la fiche ni élément électrique dans l'eau ni dans aucun autre liquide.
4. Ne pas le laisser fonctionner un élément électrique sans effectuer de cuisson.
5. Débrancher le grill de la prise de courant après l'emploi et avant le nettoyage. Le laisser refroidir avant le nettoyage ou l'addition ou le retrait de pièces. Ne pas nettoyer ce produit avec un vaporisateur à eau ou tout produit similaire.
6. Ne pas faire fonctionner un appareil pourvu d'un cordon ou d'une fiche endommagé ni après avoir remarqué un mauvais fonctionnement de l'appareil ou un endommagement quelconque. Le retourner à l'usine de réparation autorisée la plus proche à des fins d'examen, de réparations ou d'ajustement.
7. L'emploi d'accessoires connexes non recommandés par le fabricant peut causer des blessures.
8. Ne passer le cordon pendre sur le bord d'une table ou d'un comptoir, ni toucher à des surfaces chaudes.
9. Ne passer placer le cordon sur un brûleur électrique ou à gaz chaud ni dans four chaud.
10. Faire preuve de prudence extrême lors du déplacement d'un appareil contenant de l'huile chaud ou d'autres liquides.
11. Pour débrancher l'appareil, retirer la fiche de la prise de courant.
12. Ne passer utiliser l'appareil à d'autres fins que celles prévues.
13. Le combustible, comme briquettes de charbon de bois, ne doit être utilisé l'élément électrique est en place.
14. Ne pas utiliser d'essence, de kérosène ni d'alcool pour alumer le charbon de bois.
15. Utiliser une prise de courant de 110-120 V CA mise à la terre. Toujours brancher la fiche à la prise de courant, puis brancher le cordon dans la prise de courant. Pour débrancher, placer le contrôle à "off", puis retirer la fiche de la prise de courant.
16. Ne pas utiliser de cordon d'alimentation plus long ni de rallonge, à moins que ceci ne soit absolument nécessaire. Cependant, ils sont disponibles. S'ils sont utilisés, suivre les précautions suivantes. Utiliser seulement un cordon de calibre 14 à 3 fils de type mise à la terre dont la capacité nominale électrique est au moins aussi élevée que celle de l'appareil. Le cordon devrait porter le suffixe "W-A" et une étiquette indiquant qu'il convient pour l'emploi avec les appareils électriques extérieurs. Tout raccordement de fiche à une rallonge devrait être disposé de façon à ne pas chevaucher un comptoir une table où il pourrait être tiré ou faire trébucher quelqu'un accidentellement. Garder la longueur aussi courte que possible.
17. Utiliser une housse protectrice résistant aux intempéries pour le rangement à l'extérieur, hors de la portée des enfants.
18. Utiliser une Modèle 1516 Contrôle d'élément et Modèle 1517C élément électrique avec la série des grills portatifs MECO modèle 2000.
19. La surveillance stricte est nécessaire de l'emploi de tout appareil sans la proximité des enfants.
20. **AVIS: NE PAS UTILISER DE CHARBON DE BOIS POUR LA CUISSON À L'INTÉRIEUR. DES FUMÉES TOXIQUES D'OXYDE DE CARBONE PEUVENT S'ACCUMULER ET CAUSER LA MORT.**

CONSERVER CES INSTRUCTIONS

USAGE ET ENTRETIEN:

FAIRE CHAUFFER l'élément afin d'éliminer l'odeur du nouvel appareil avant de l'utiliser pour la cuisson. Brancher l'élément, régler le contrôle à "High" et le faire chauffer pendant environ 5 à 10 minutes sans couvercle.

LA CUISSON électrique est simple et semblable à la cuisson au charbon de bois. Le temps de cuisson varie légèrement, toutefois, aucune essence à briquet ni nettoyage de charbon de bois n'est requis. Pour obtenir de meilleurs résultats, cuire avec le couvercle fermé pour conserver le jus naturel des aliments et rehausser la saveur de fumée. Cuire en moins de temps les hamburgers, hot dogs et steaks à chaleur élevée ("High") et la petite volaille à chaleur faible ("Low") ou moyenne ("Medium"). Utiliser un thermomètre à viande si possible.

LES REGISTRES A ÉVENT contrôlent la quantité de fumée. Ouvrir les événements à demi ou complètement pour la cuisson au charbon de bois et légèrement pour la cuisson électrique. Pour rehausser la saveur de fumée, parsemer des éclats de noyer ou de mesquite ou prosopis autour de la bobine de l'élément. De petits éclats de bois peuvent être placés sur les bobines des éléments ou les toucher. Immerger les éclats de bois dans de l'eau pendant 30 à 60 minutes avant la cuisson. La quantité d'éclats varie selon le degré de saveur de fumée désiré et la quantité de nourriture.

LE NETTOYAGE est facile. Il suffit de vaporiser la poêle à surface réfléchissante et le gril de vaporisateur à cuisson avant la cuisson. Pour plus de protection, tapisser le fond du récipient de papier d'aluminium. Une fois le gril refroidi, le laver, de même que l'extérieur du couvercle et du récipient à l'eau tiède savonneuse. **NE JAMAIS UTILISER DE NETTOYEUR POUR FOUR.** Desserrer l'écrou boulon et la écrou borgne d'environ 2 tours. Soulever l'élément; retirer la poêle à surface réfléchissante et le godet à graisse. Les laver; essuyer le fond du récipient et les bobines des éléments. Essuyer le contrôle. Replacer les pièces propres. Resserrer la boulon et l'écrou borgne. Mettre au rebut les cendres de bois provenant des éclats lorsqu'elles seront éteintes.

Lock 'n Go

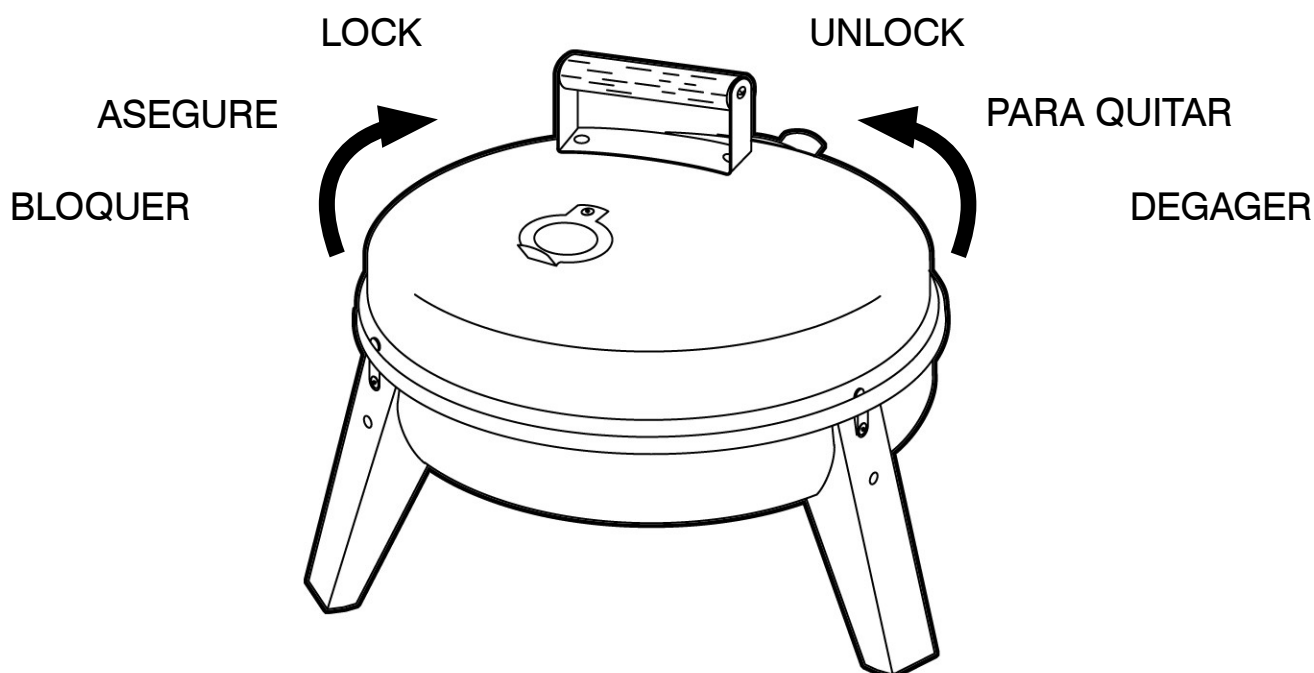
NOTE: POUR TRANSPORTER LE GRIL PORTATIF: Verrouiller le couvercle sur la cuvette en le tournant dans le sens horaire. Aligner les boulons de blocage du couvercle sur les boulons du support de blocage du couvercle. Cette position est adéquate pour soulever le gril et le transporter. Pour déverrouiller, tourner dans le sens anti-horaire. **TOUJOURS S'ASSURER QUE LE GRIL SOIT BIEN VERROUILLÉ AVANT DE LE SOULEVER.**

NOTA: PARA TRANSPORTAR LA PARRILLA PORTÁTIL; asegure la tapa al tazón haciéndola girar hacia la derecha. Alinee los pernos de seguro de la tapa con los pernos de la escuadra de fijación. Esta es la posición correcta para levantar y transportar la parrilla. Para quitar el seguro y poder abrir la tapa, hágala girar hacia la izquierda. **ASEGÚRESE SIEMPRE DE QUE LA PARRILLA ESTÉ ASEGURADA ANTES DE LEVANTARLA.**

NOTE ABOUT THE LOCK 'N GO FEATURE

To lock the hood to the bowl for transportation or storage, place the Hood on the Bowl and rotate it clockwise until the Bolts in the rim of the Hood engage completely within the keyway notch of the Lock Brackets attached to the Bowl. To unlock the Hood, simply rotate it counterclockwise.

ALWAYS MAKE SURE THE GRILL IS PROPERLY LOCKED BEFORE LIFTING IT.



Assembly Instructions Instrucciones Para Armar Instructions De Montage

2010 - Charcoal / Carbón / Charbon
2120 - Electric / Eléctrico / Électrique

TOOLS NEEDED: Phillips head Screwdriver and a 3/8" open end wrench or a pair of pliers.

HERRAMIENTAS NECESARIAS: destornillador de cruz (Phillips), llave de 3/8 de pulgada o pinzas (alicates).

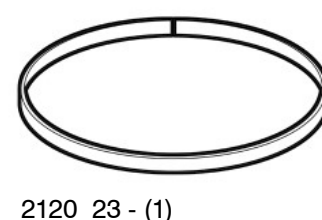
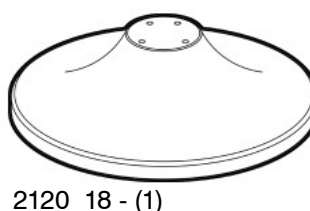
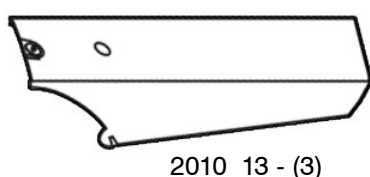
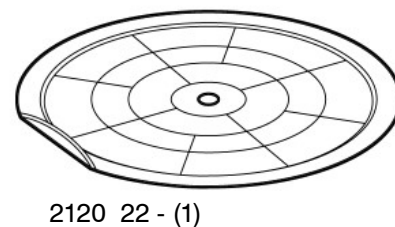
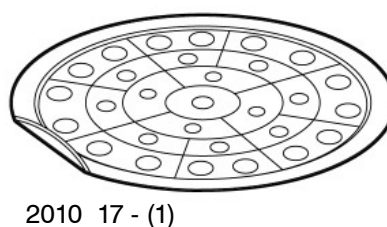
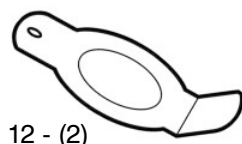
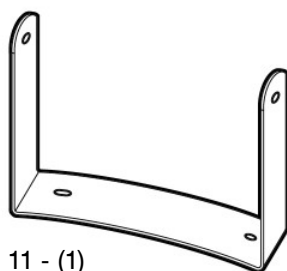
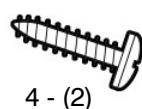
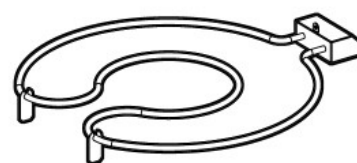
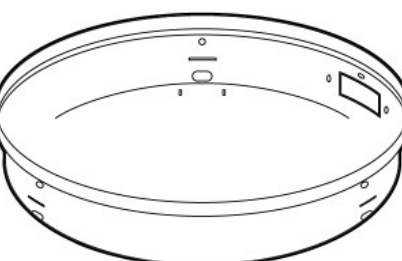
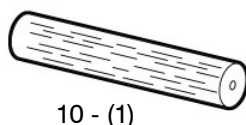
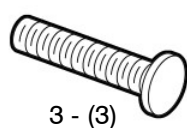
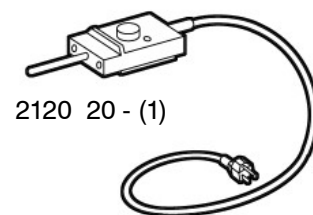
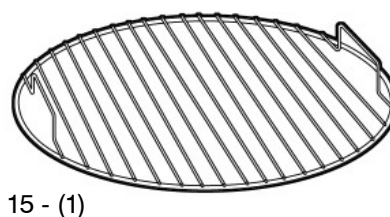
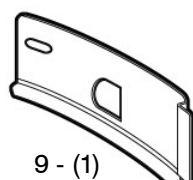
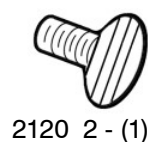
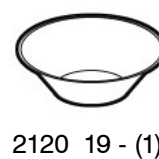
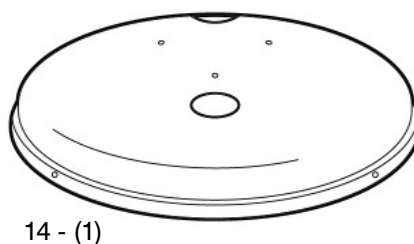
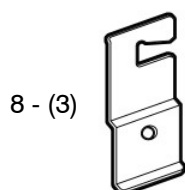
OUTILS REQUIS: Tournevis Phillips, cle ouverte de 3/8" po ou pince.

Item - (Quantity)
Artículo - (Canti-
dad)

Item - (Quantity)
Artículo - (Canti-
dad)

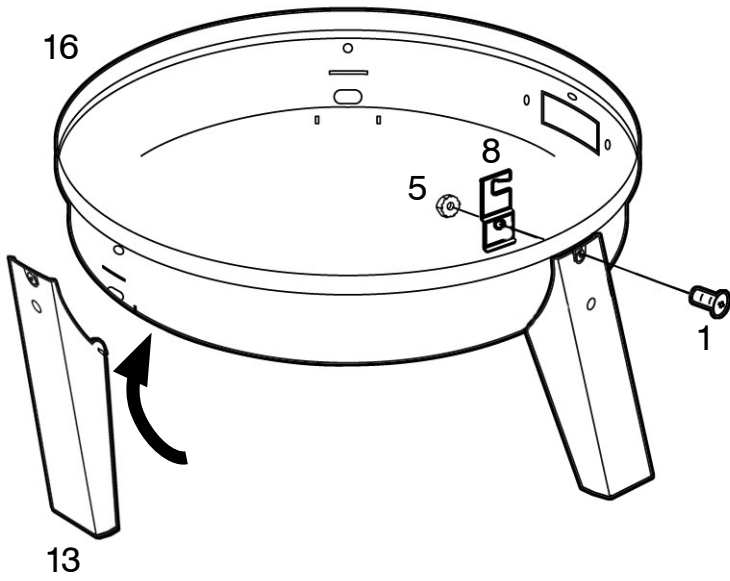
Item - (Quantity)
Artículo - (Canti-
dad)

Item - (Quantity)
Artículo - (Canti-
dad)



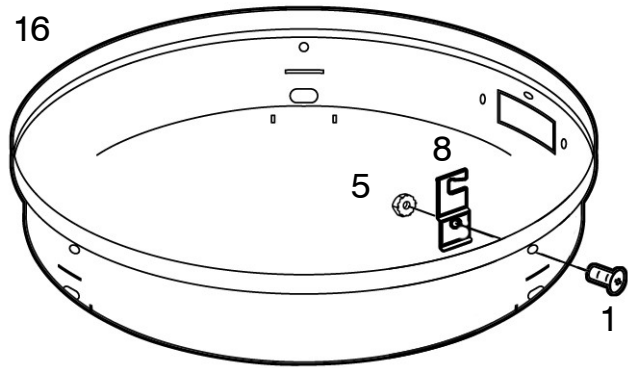
1 2010

- 1 - (3)
- 5 - (3)



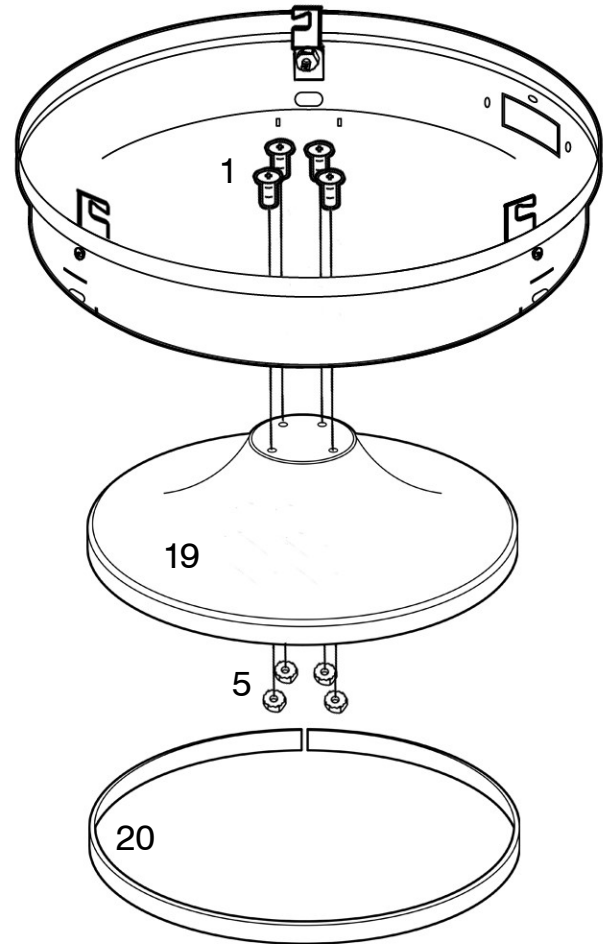
1 2120

- 1 - (3)
- 5 - (3)



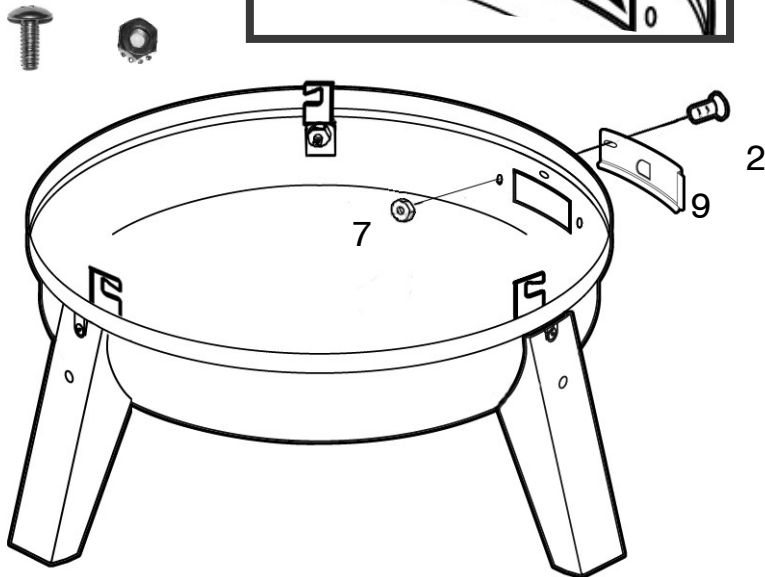
1A 2120

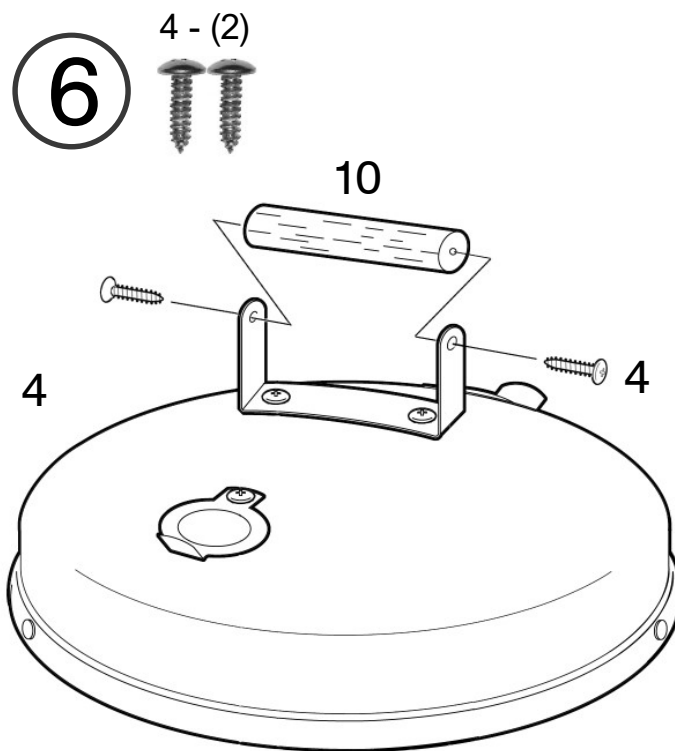
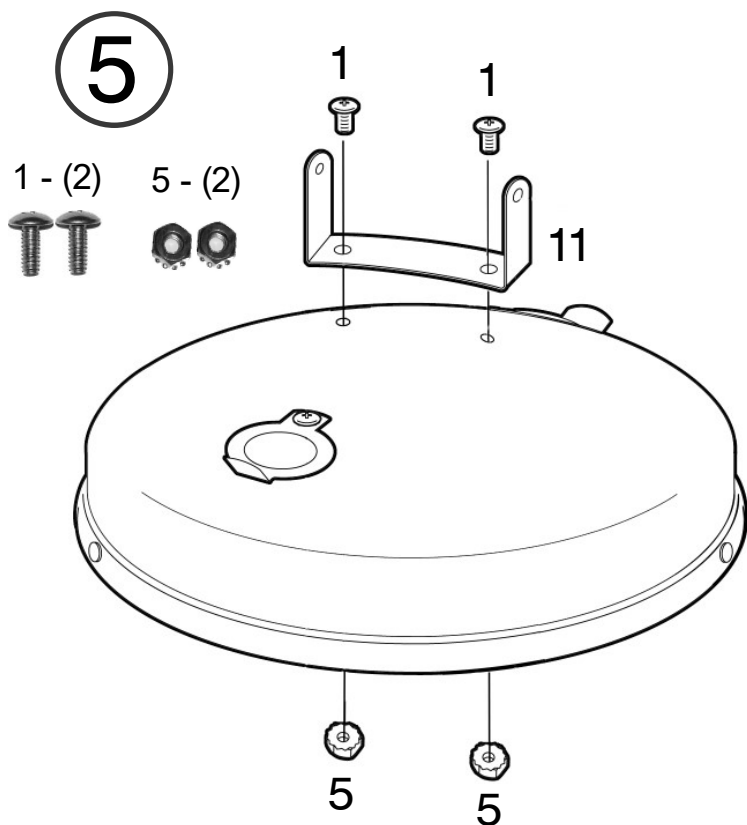
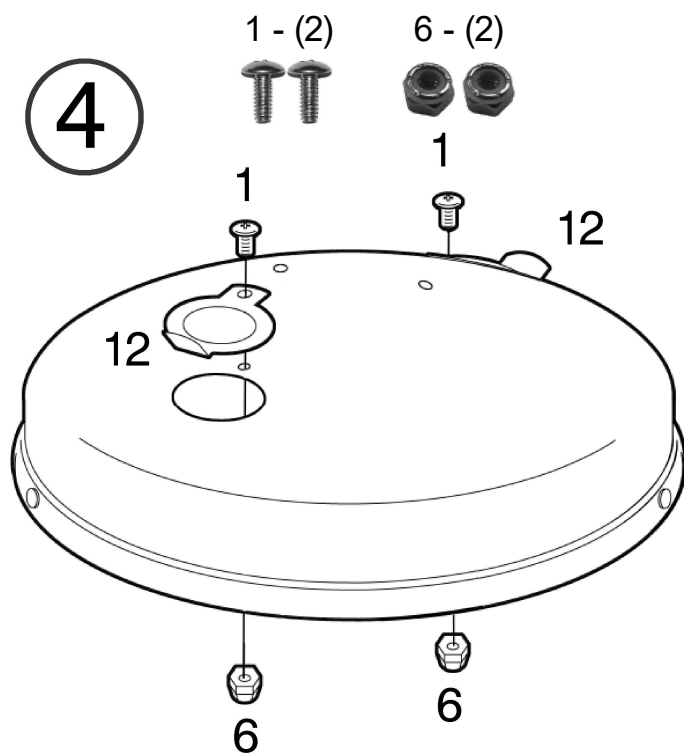
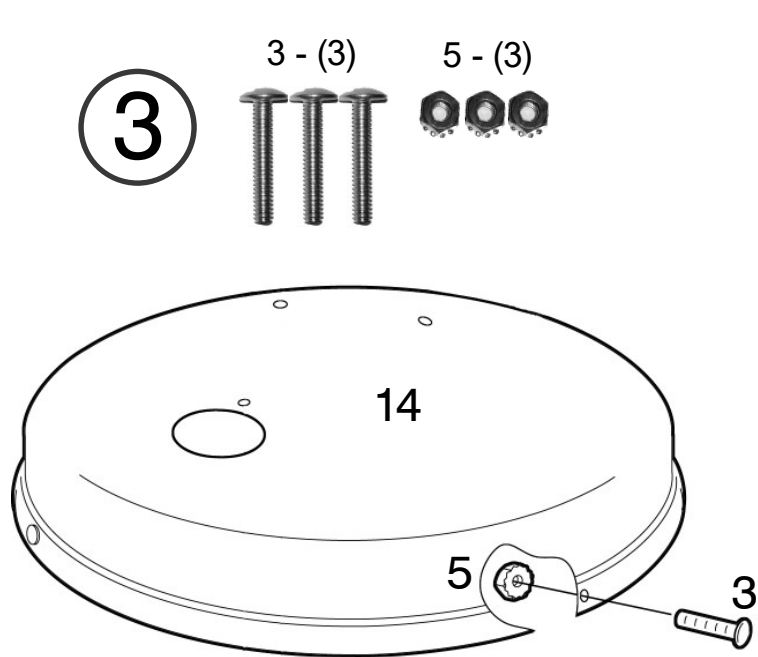
- 1 - (4)
- 5 - (4)



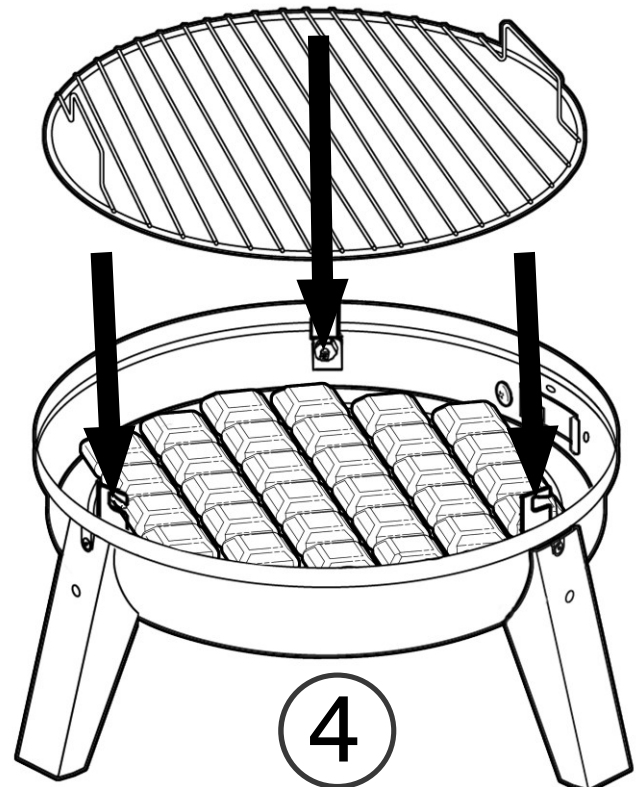
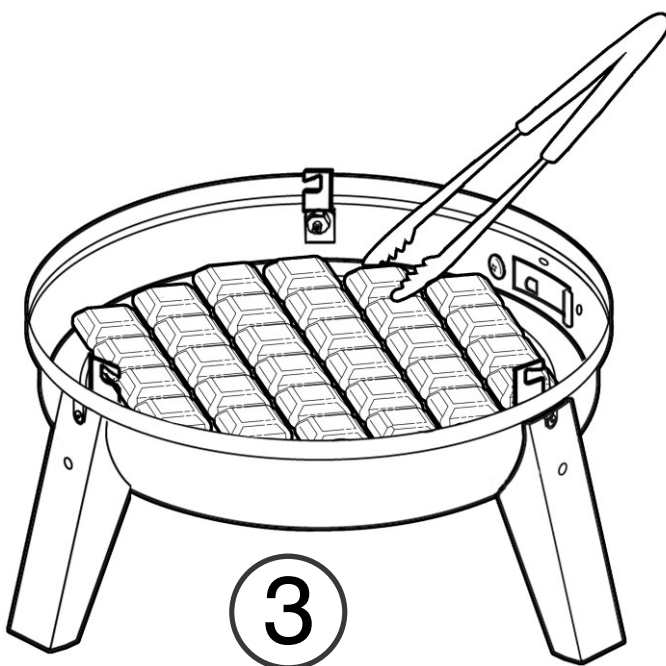
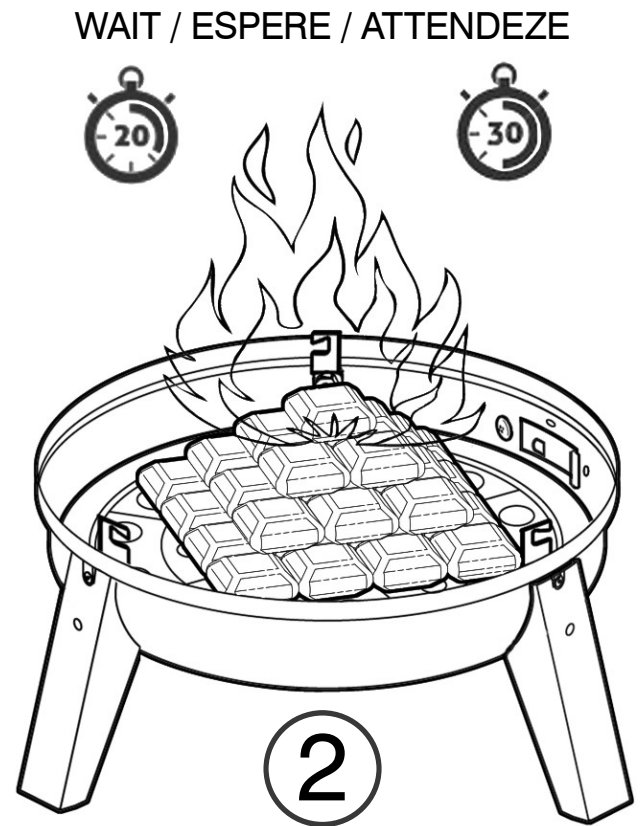
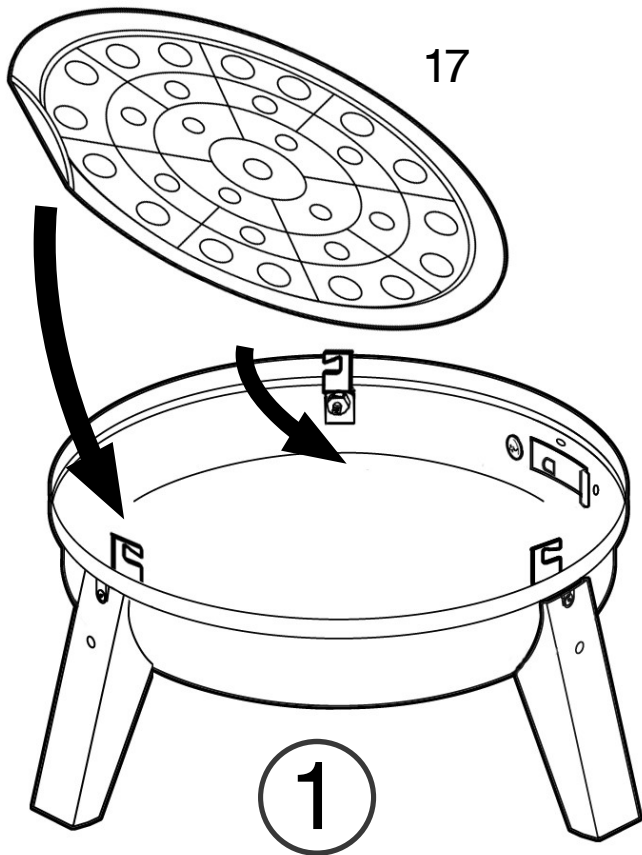
2 2010

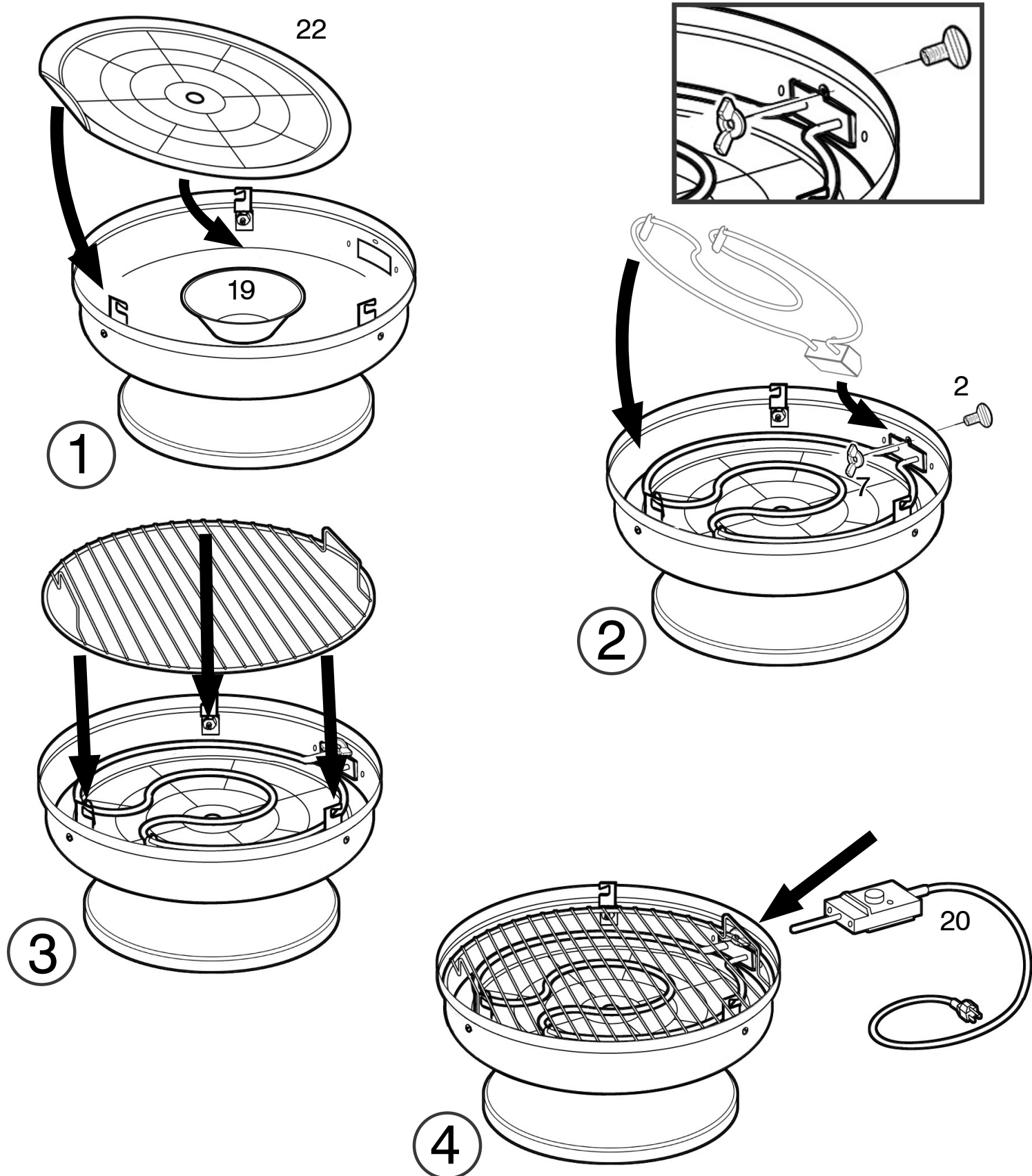
- 1 - (1)
- 5 - (1)



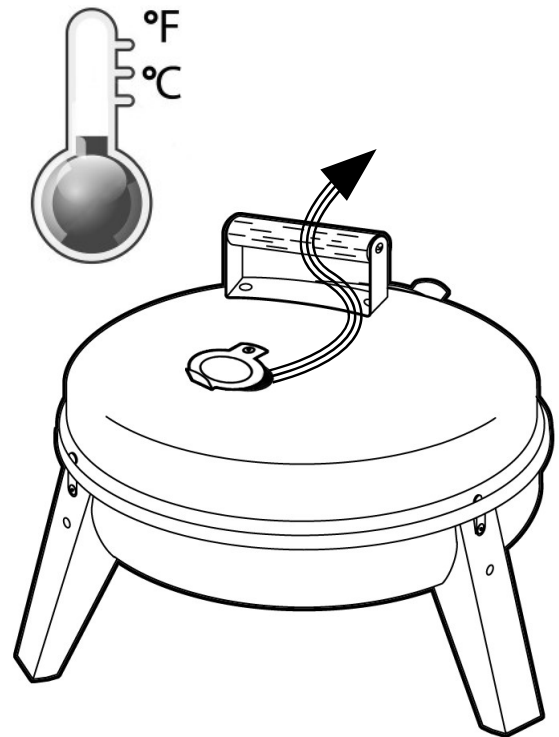
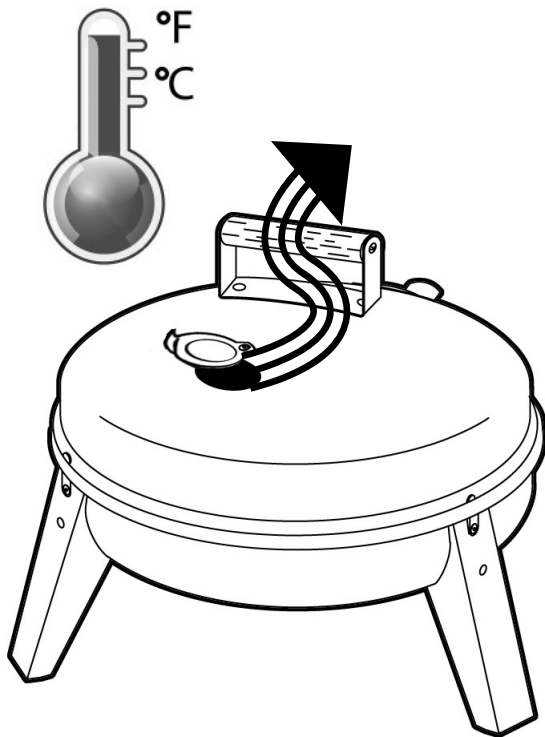


2010 CHARCOAL / CARBÓN / CHARBON DE BOIS

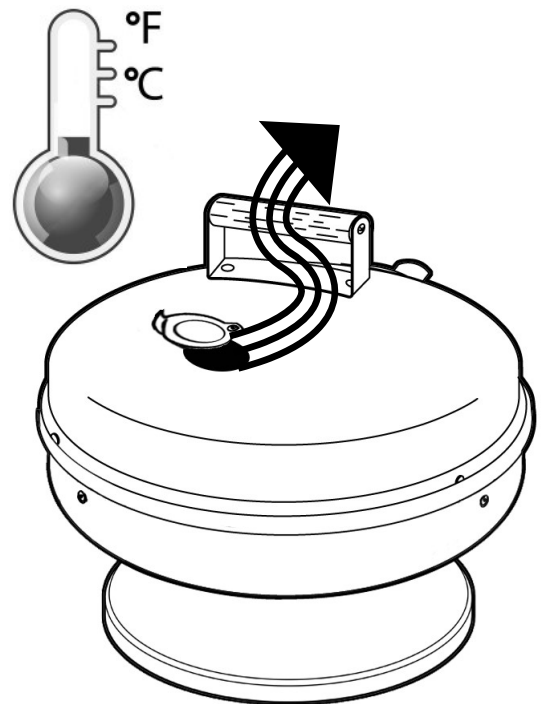
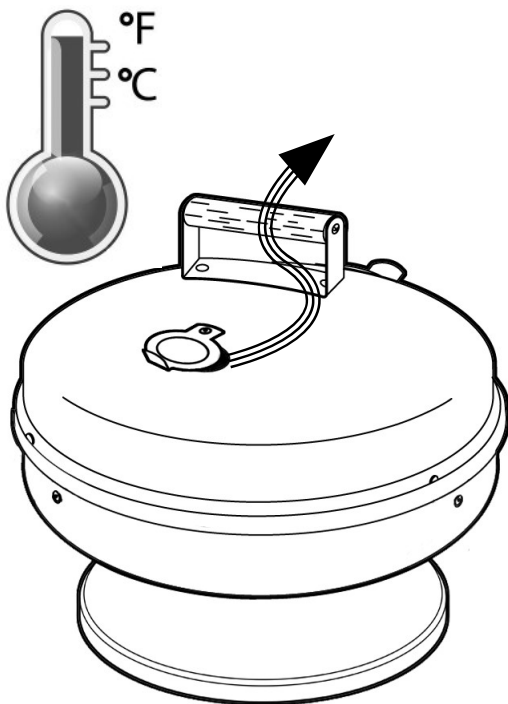


2120 ELECTRIC / ELÉCTRICO / ÉLECTRIQUE

2010 CHARCOAL / CARBÓN / CHARBON DE BOIS



2120 ELECTRIC / ELÉCTRICO / ÉLECTRIQUE





Meco Corporation
Manufacturing Grills Since 1969
Electrics, Smokers, Charcoal & Gas
Your Style, Your Choice!

Meco Corporation
Grills de fabricación desde 1969
Electricidad, Fumadores, carbón y gas
Su estilo, su opción!

Meco Corporation
Grills de fabrication depuis 1969
Électrique, fumeurs, charbon et gaz
Votre style, votre choix!

Check www.mecocorp.com for more Tips, Recipes and Links.

For more recipes, updates and tips follow us on:

Facebook at www.facebook.com/americanagrills

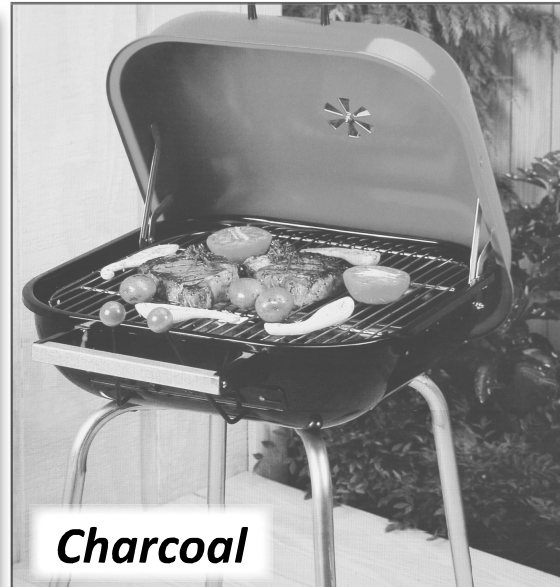
Instagram at www.instagram.com/americana_grills

Pinterest at www.pinterest.com/mecocorporation/americana-grills/

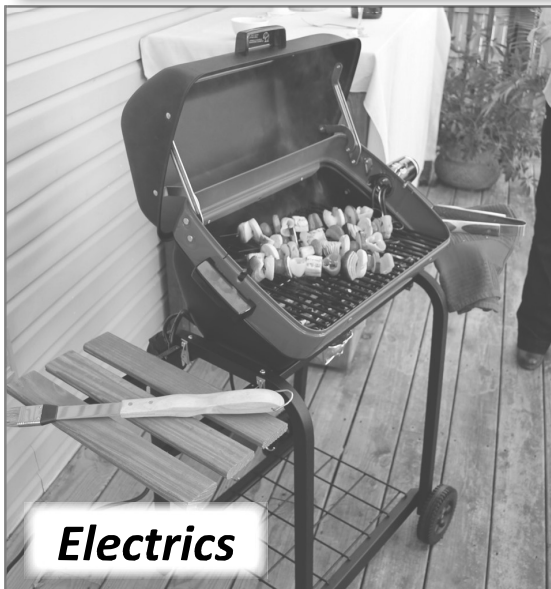
Youtube at www.youtube.com/c/AmericanaGrills



Smokers



Charcoal



Electrics



Fully-Assembled

*To validate your warranty, register your grill at www.mecocorp.com
Replacement parts require proof of purchase. Please save your receipt.*

*Para validar la garantía, inscriba su parrilla en www.mecocorp.com
Las piezas de repuesto requieren una prueba de compra. Por favor guarde su recibo.*

*Pour valider votre garantie, enregistrez votre gril à www.mecocorp.com
Les pièces de rechange exigent la preuve d'achat. S'il vous plaît enregistrer votre réception.*