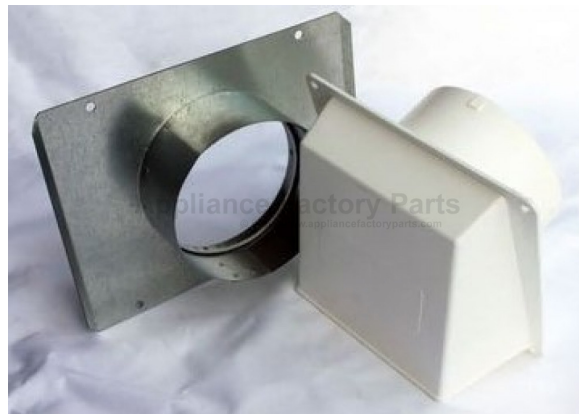


This Owner's Manual is provided and hosted by [Appliance Factory Parts](#).



# MAJESTIC Heat-Out Owner's Manual

[Shop genuine replacement parts for MAJESTIC  
Heat-Out](#)



[Find Your MAJESTIC Fireplace Parts - Select From 585 Models](#)

----- Manual continues below -----

# Heat-Out Air Kit

- Installation & Operation Instructions -

## INTRODUCTION

The HEAT-OUT accessory kit expels warm air from the fireplace to the outside of the building. This will allow the fireplace to be operated with less heat entering the room.

## PRELIMINARY PREPARATION

1. Contents of kit: (See Figures)

DESCRIPTION	SERVICE PART NO.
Fall/Exterior Wall Assembly	660-100A
Damper Plate	660-133
Interior Firestop	660-140
Rear Collar	660-131
Fan Junction Box	660-137
Exterior Cap	660-135A
Hardware Bag	660-900A
On/Off Switch	130-511
1/2 oz Tube of Silicone	418-400

If any parts are missing or damaged, contact your Dealer before starting installation. **DO NOT** install a damaged kit. Be sure to also reference the fireplace Installer's Guide.

2. This kit is tested and safe when installed in accordance with this installation manual. It is your responsibility to read all instructions before starting installation and to follow these instructions carefully during installation.

3. Installation of this kit **MUST** be performed by a qualified service technician.

4. The HEAT-OUT kit is carefully engineered and must be installed only as specified. If you modify it or any of its components you will void the warranty, and you may possibly cause a fire hazard. Installation must be done according to applicable local, state, provincial, and/or national codes.

5. **CAUTION:** All wiring should be done by a qualified electrician and shall be in compliance with local codes and with the National Electric Code ANSI/NFPA No. 70-current (In the United States), or with the current CSC22.1 Canadian Electric Code (in Canada).

6. Plan the location of the fireplace. If the vent system is going to be a horizontal termination off the top of the fireplace, the HEAT-OUT kit **MUST** be installed before the fireplace horizontal vent system/termination.

**NOTE:** The HEAT-OUT kit **CANNOT** be used if the fireplace is placed in a 45 - degree corner installation. The back of the fireplace **MUST** be positioned against an outside wall.

7. The bottom of the exterior cap **MUST** be a **MINIMUM** of 12 - in. (305 mm) above finished grade. Plan the location of the fireplace accordingly.

## INSTALLATION

**Install the Heat-Out kit following instructions in the fireplace Installer's Guide.**

## WIRING

1. Install the wall switch (provided in the kit) at a convenient location. This switch will control the HEAT - OUT fan. A variable speed type switch must **NOT** be used.

2. Wire 110 VAC service TO the wall switch and FROM the wall switch to the fan junction box. Use wire nuts to secure the 110VAC service wires to the hot and neutral fan wires and screw the 110VAC ground wire to the junction box. See Wiring Diagram - Figure 1.

3. Screw the fan junction box to the fan housing. See Figure 1.

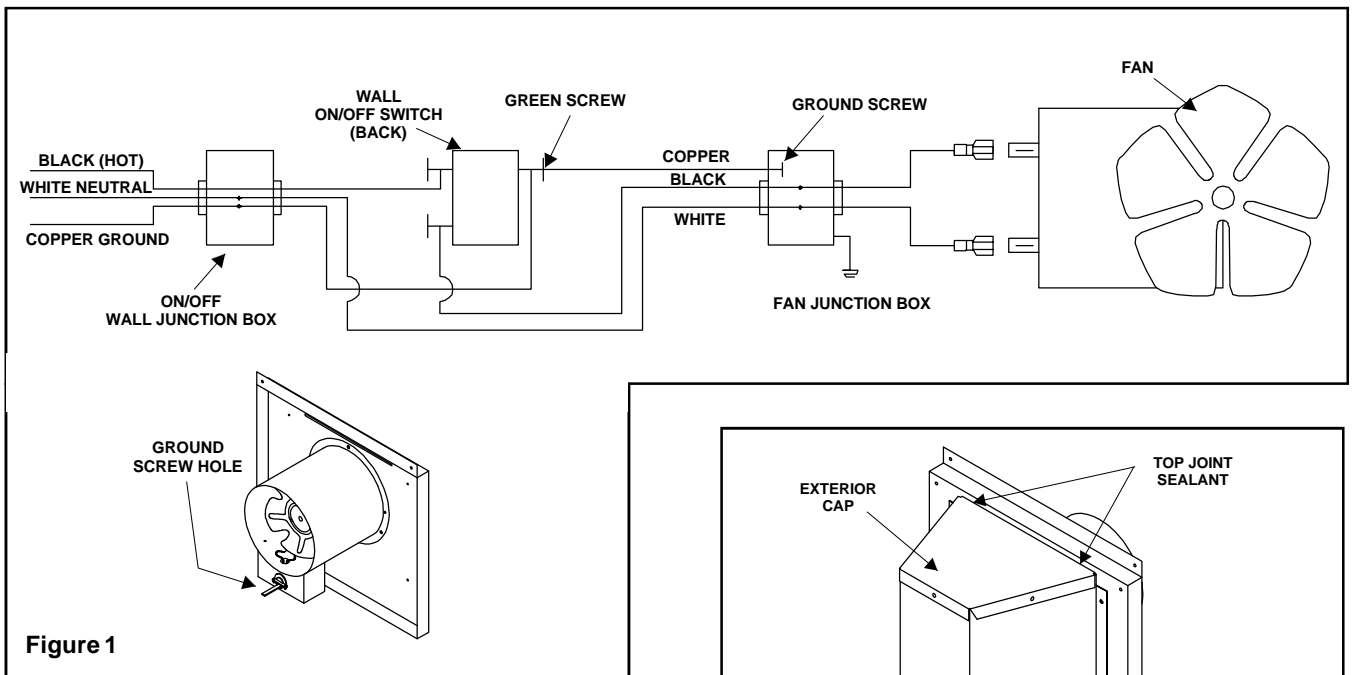


Figure 1

## FINISHING

1. Carefully slide the fireplace against the wall with the rear collar passing through the interior firestop.
2. From outside the building, slide the fan/exterior wall firestop assembly into the rear collar and securely attach it to the exterior wall.
3. Hang the damper plate into the slot of the exterior firestop and check that it freely opens and closes. See Figure 2.

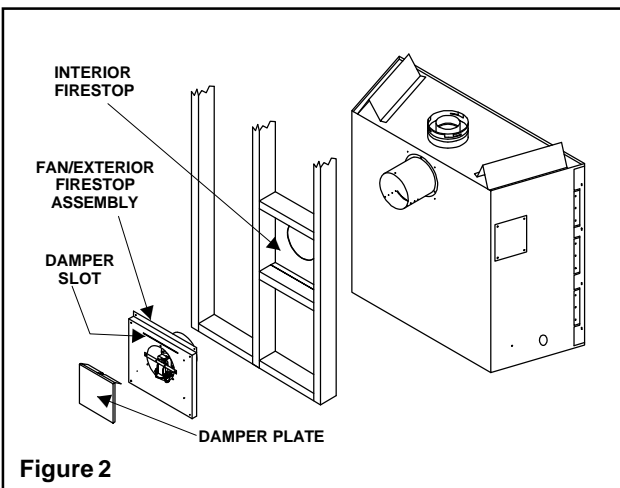


Figure 2

4. Align and screw the exterior cap to the exterior firestop. Run a bead of silicone sealant along the joint at the top of the cap where it meets the firestop. See Figure 3.
5. Complete the fireplace installation per instructions. For an example of the flue vent termination cap located directly above the HEAT-OUT cap, see Figure 4. In some cases the exterior firestops may overlap.

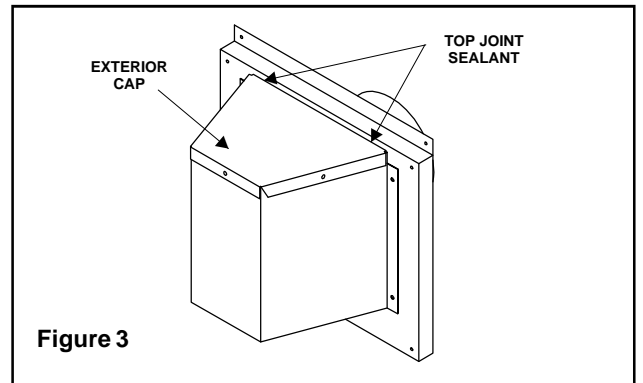


Figure 3

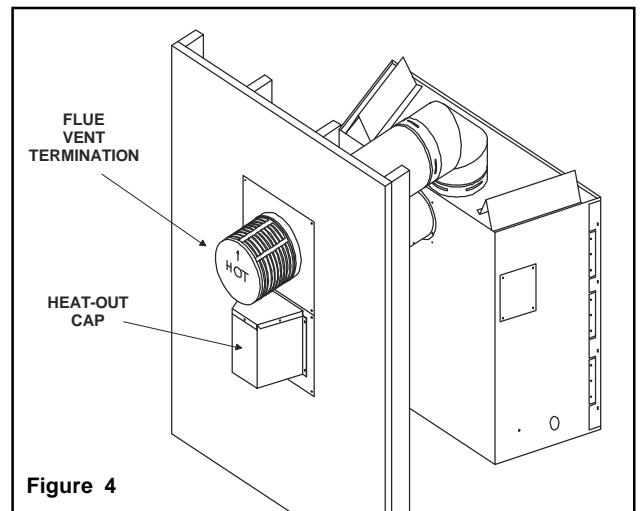


Figure 4

## OPERATION

### FOR MAXIMUM HEAT EXPULSION:

1. Turn "OFF" the fireplace accessory fan - if one has been installed.
2. Turn the HEAT - OUT fan "ON" with the wall switch.

## MAINTENANCE

1. Service and maintain the gas fireplace per instructions.
2. Keep the HEAT - OUT exterior cap clean and free of any blockage - including snow.