



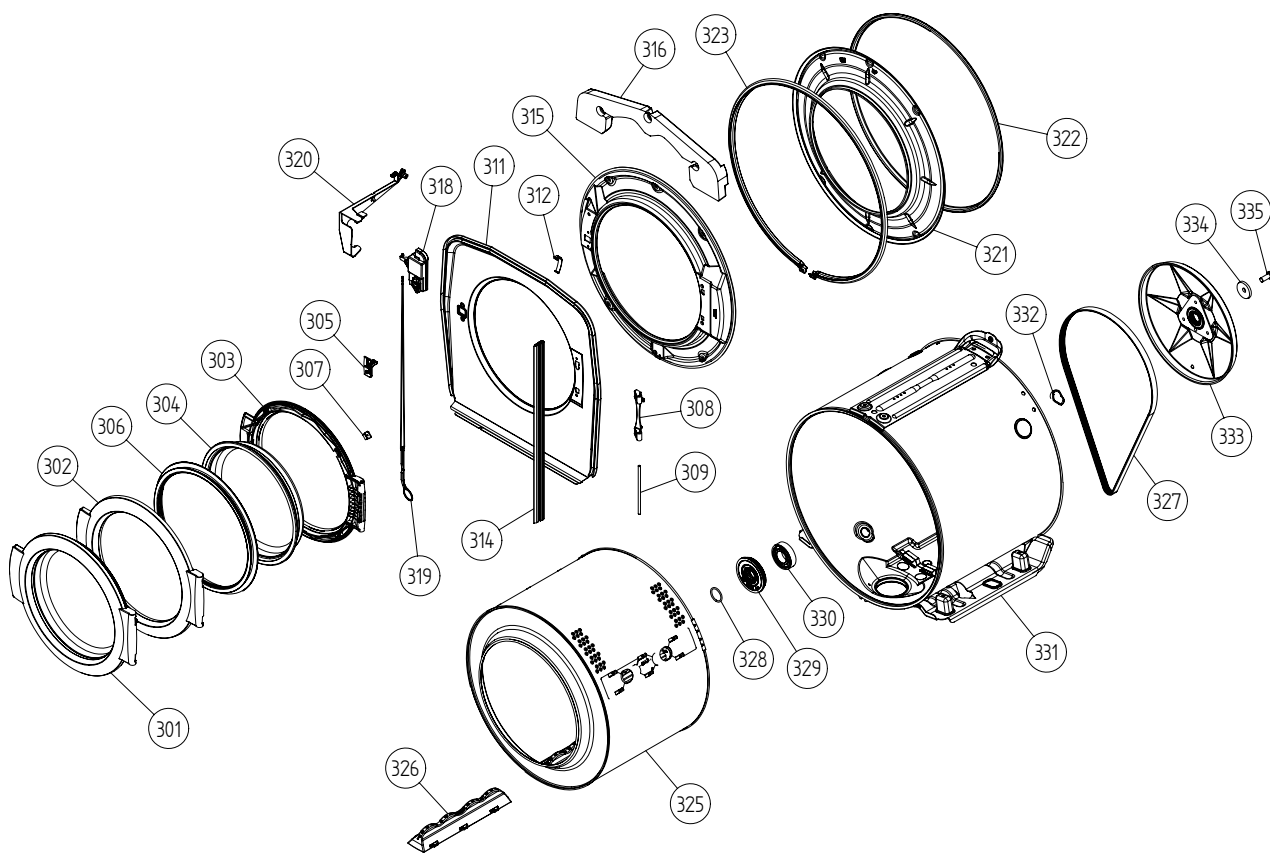
Spare Parts Catalogue

Washing machines \ 6000 Series
Type: WM44AUS
Model: W6221 US Bisque

Prod. No: 107622115
May 23rd 2005

AM Appliances Group

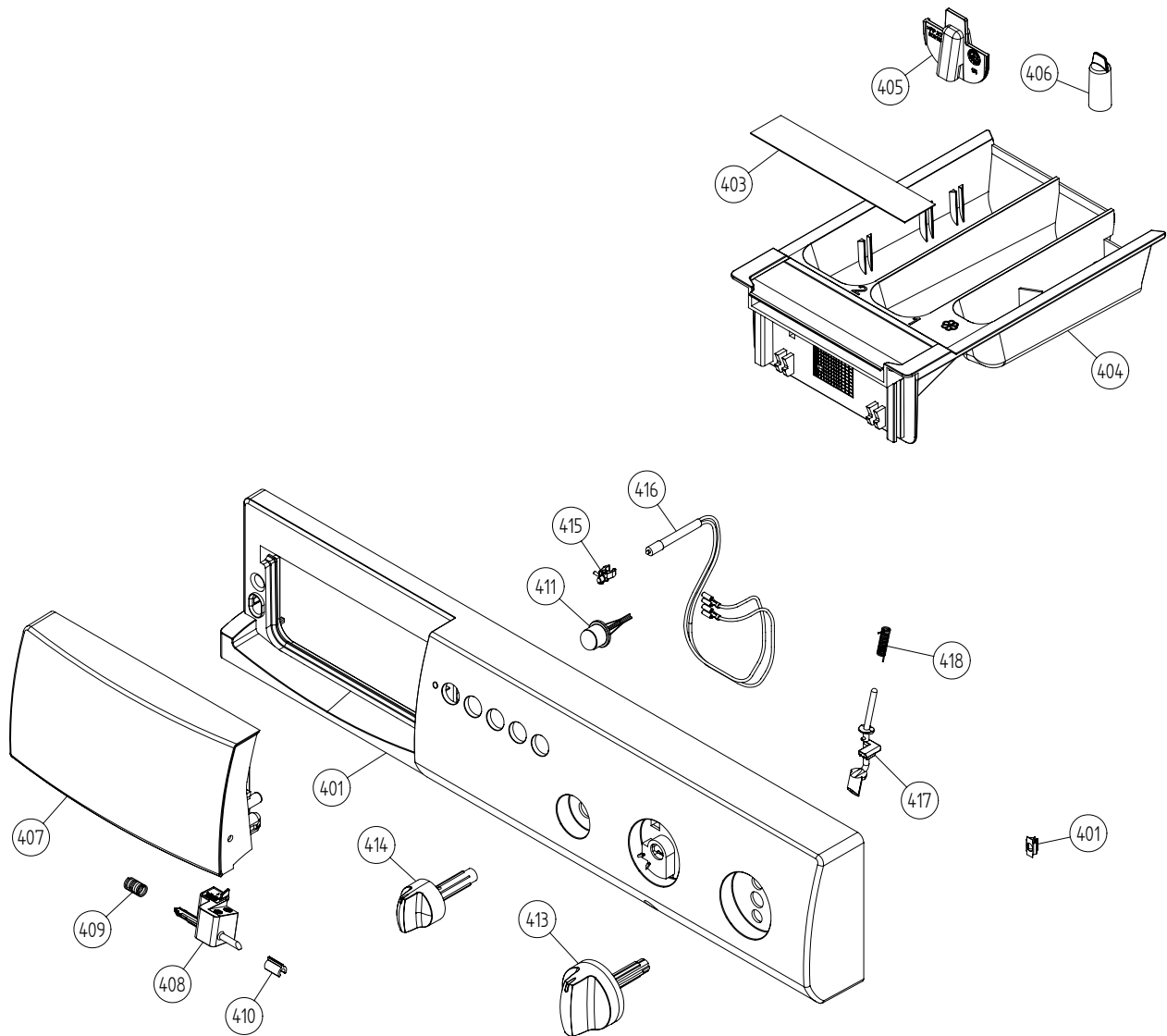
P.O. Box 851805 • Richardson • TX 75085-1805
789 N. Grove Road • Suite 103 • Richardson • TX 75081



Cylinder and related parts

ASKO, W6221 US - Bisque (WM44AUS)

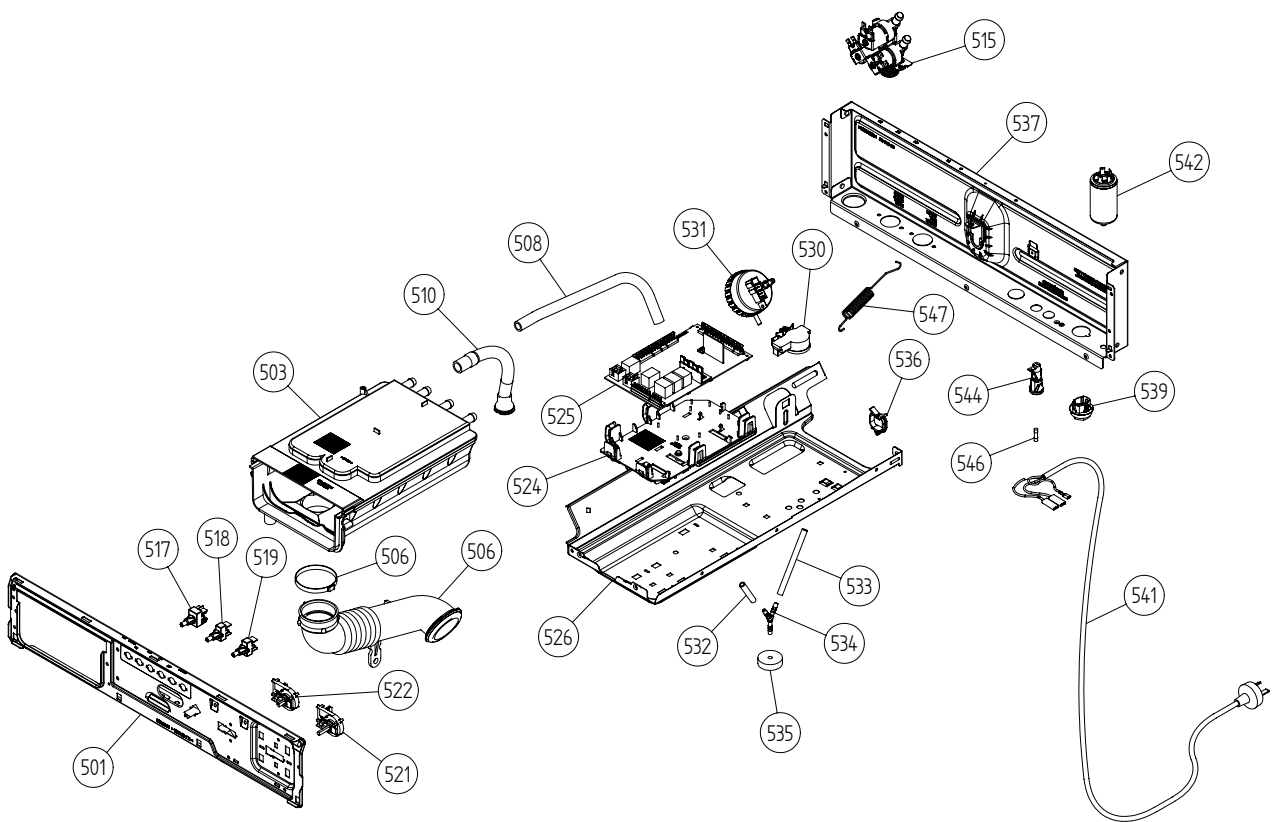
Pos	Spare part No.	Description	Qty	Comment
301	8064906-42	Front door compl. velour/grey	1 Pcs	
302	8061651-96	Front Door Outer	1 Pcs	
303	8061652-42	Front Door Frame Inner	1 Pcs	
304	8061685	Front Glass	1 Pcs	
305	8061798	Lock Hook Door 600s	1 Pcs	
306	8064025	Seal front door WM20/21	1 Pcs	
307	8061624	Securing Plate	4 Pcs	
308	8061686-42	Hinge Front Door Grey WM 20	1 Pcs	
308-a	8901969	Screw	2 Pcs	
309	8061687	Shaft for Hinge WM 20	1 Pcs	
311	8061671-84	COVER PLATE OUTER BISQUE	1 Pcs	
312	8061879	Tension Spring	4 Pcs	
314	8061616	Gap Sealing Side WM 20	2 Pcs	
315	8061670	COVER PLATE INNER	1 Pcs	
316	8061678	DAMPER WEIGHT	2 Pcs	
316-a	8901135	SCREW	3 Pcs	
318	8061679	Door Lock Comp. W600s	1 Pcs	
318-a	8902087	Screw Plastic Housing 20 Torx	2 Pcs	
319	8061780	Emergency Opening Compl. WM20	1 Pcs	
320	8061680-UL	Can also use #8061680	1 Pcs	
321	8065043	Front panel tub WM20/21	1 Pcs	
322	8061889	Seal Strip Tub 600s	1 Pcs	
323	8061669	TENSION RING WM20	1 Pcs	
325	8061600	Cylinder	1 Pcs	
326	8061604	Drum Paddle	3 Pcs	
327	8061682	Drive Belt 600 series washers	1 Pcs	
328	8058497	ORing 600s Drum Shaft WM	1 Pcs	
329	8801211	Vring cassette compl. w/orin	1 Pcs	
330	8056314	Bearing Comp. WM Rear Panel	2 Pcs	
331	8801165	Container Complete	1 Pcs	
332	8056810	Wave Washer WM	1 Pcs	
333	8056376	Pulley for Drum WM	1 Pcs	
334	8057209	Washer Level Leg DW	1 Pcs	
335	8901052	Screw	1 Pcs	



Control panel

ASKO, W6221 US - Bisque (WM44AUS)

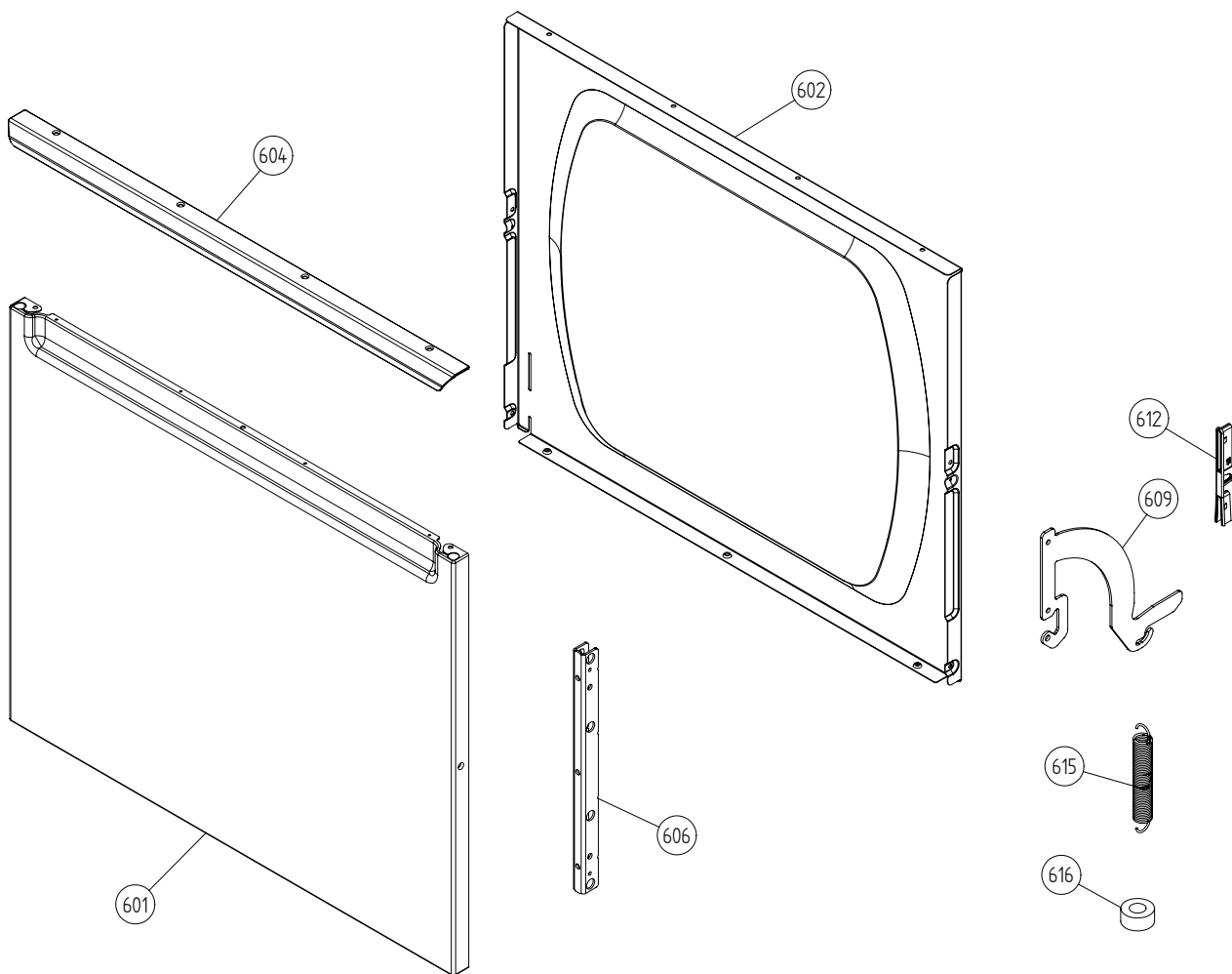
Pos	Spare part No.	Description	Qty	Comment
401	8064649-69-UL	PANEL WHANDLE W6221 ASKO US	1 Pcs	
401-a	8901591	Clip/Panel 600700s	4 Pcs	
403	8063401-49	Plate Program W6021/W6221	1 Pcs	
403	8063402-49	Plate program info. WM50 titan	1 Pcs	
404	8061630	Det. Comp. Complete W600	1 Pcs	
405	8061633	Siphon Divider Liq. Det. 600s	1 Pcs	
406	8061634	Siphon Fabric softener WM20	1 Pcs	
407	8061846-69-UL	HANDLE PANEL MECH WMD20	0 Pcs	
408	8061621-34	Safety Catch Det. Com W600s	1 Pcs	
409	8061622	Spring Safety Catch WM20	1 Pcs	
410	8064010	Spacing sleeve	1 Pcs	
411	8061711-69	PUSH BUTTON WMD20	5 Pcs	
413	8061892-69	KNOB TEMP/TIMER WCLIPS WMD20	2 Pcs	
414	8064651-69	KNOB SPIN SPEED W CLIPS WM21	1 Pcs	
415	8061822	Decor Lens 06 Laundry	1 Pcs	
416	8060478	Ind. Lamp 600s WM	1 Pcs	
417	8061709-33	SAFETY CATCH TEMP BLACK	1 Pcs	
418	8063974	Torsion Spring Safety Catch	1 Pcs	
490	8065659	INSTRUCT WM21 ENGLISH US/CA	1 Pcs	
490	8065660	INSTRUCTIONS WM21 FRENCH US/CA	1 Pcs	
490	8065661	INSTRUCT WM21 SPANISH US/CA	1 Pcs	



Upper session

ASKO, W6221 US - Bisque (WM44AUS)

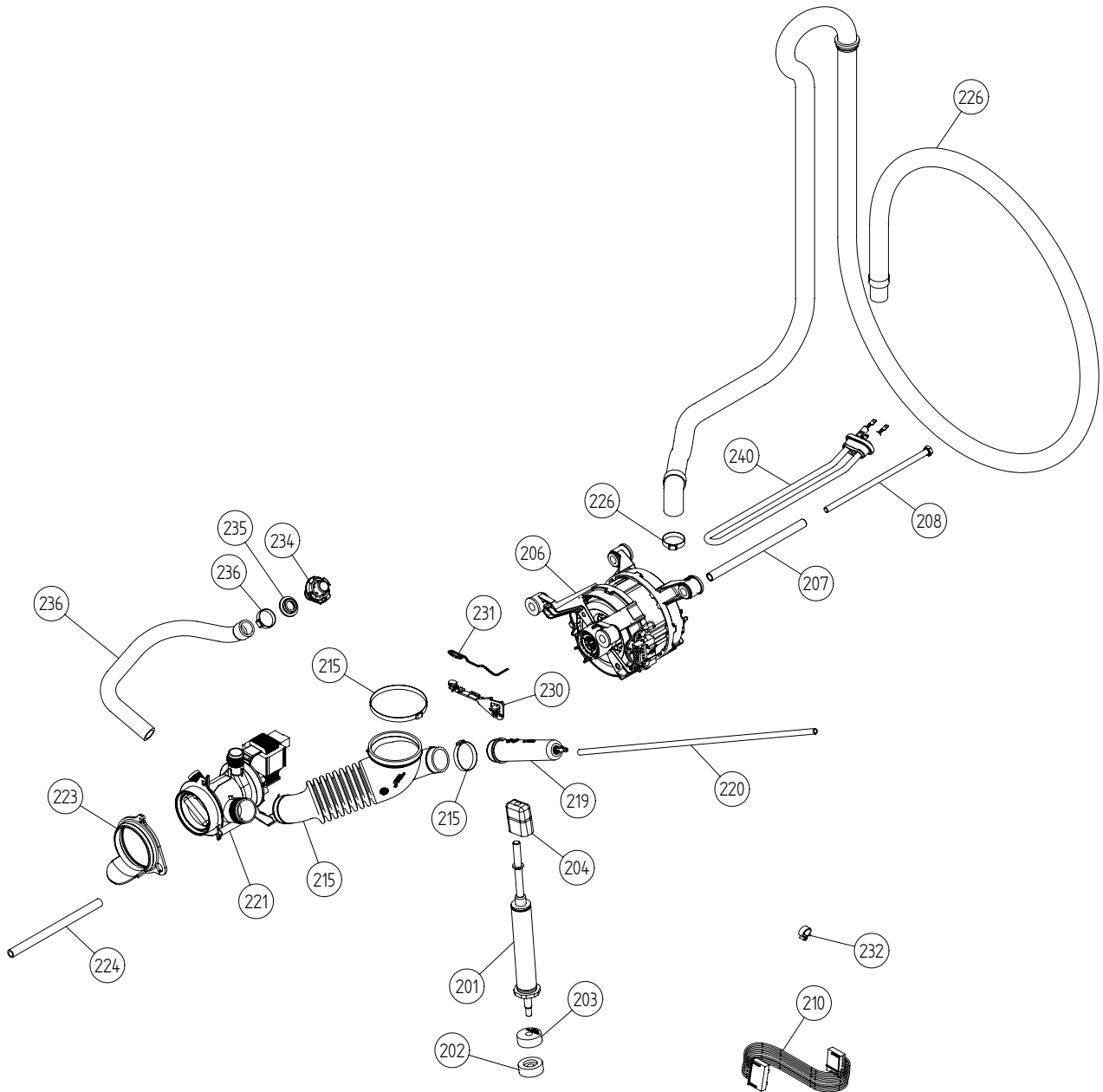
Pos	Spare part No.	Description	Qty	Comment
501	8061690	Front Beam 600/700 Series	1 Pcs	
501-a	8900338	Screw 20 Torx Self Tapping	2 Pcs	
501-b	8901413	Lock Washer laundry tops	2 Pcs	
501-c	8902087	Screw Plastic Housing 20 Torx	2 Pcs	
503	8061661	Container Det. Disp. 600s	1 Pcs	
503-a	8901970	Screw	2 Pcs	
503-b	8902072	Screw	1 Pcs	
503-c	8056656	Cable Tie	3 Pcs	
506	8061628	BELLOWS HOSE INLET WM20	1 Pcs	
506	8064692	BelloWS hose longer alternate	1 Pcs	
506-a	8063607	Hose Clip	1 Pcs	
508	8061702	Rubber Hose	3 Pcs	
510	8061736	Ventilation Hose WM20	1 Pcs	
510-a	8052730	Hose Clip	1 Pcs	
515	8061757	Fill Valve 3way 600	1 Pcs	
515-a	8901097	Screw Terminal	2 Pcs	
517	8061875	Switch ON/OFF WM20	1 Pcs	
517	8065837	PUSHBUTTONSW. COMPL. TIMER	1 Pcs	
518	8063719	Push Button Start T700720	2 Pcs	
519	8063717	Push Button Switch 1 Closing	2 Pcs	
521	8064362	ROTARY SWITCH WM33/44	1 Pcs	
522	8064376	Rotary switch temp/RPM WM33/	2 Pcs	
524	8061921	Holder Prog Control WMD600/700	1 Pcs	
525	8065839	Control unit WM33/44A	1 Pcs	
526	8061692	Bracket Elec. Comp. WM 20	1 Pcs	
526-a	8900338	Screw 20 Torx Self Tapping	2 Pcs	
526-b	8900327	Screw 20 Torx Self Tapping	1 Pcs	
529	8087400	Basic Harness 6021/6221	1 Pcs	
529	8087409	Harness Add. 5 Buttons 6221	1 Pcs	
529	8087413	Harness Add. Spin Opt. 6221	1 Pcs	
530	8061664	Level Sensor 600s	1 Pcs	
531	8064275	Level switch	1 Pcs	
532	8003641	Rubber Hose	1 Pcs	
533	7382985	Rubber Hose	1 Pcs	
534	8051843	YPipe Water Level SW 04/06 WM	1 Pcs	
535	8061997	Ground Level Switch Hose WM 20	2 Pcs	
536	8061975	Cable Holder	1 Pcs	
537	8061694	CROSS BEAM	1 Pcs	
537-a	8900327	Screw 20 Torx Self Tapping	4 Pcs	
539	8006948	Grommet	1 Pcs	
541	8064210	Cord set w/flat pin sleeves	1 Pcs	
542	8058558	RFI 05/06 WM	1 Pcs	
542-a	8901155	Nut	1 Pcs	
542-b	8901419	Lock Washer	1 Pcs	
544	8065573	FUSE HOLDER GREY 15A US/CA	2 Pcs	
544-a	8058140	BK/MDA15 Fuse All laundry	2 Pcs	
544-b	8055725	Hub Fuse Holder	2 Pcs	
544-c	8054613	Fuse Holder Laundry	2 Pcs	
547	8061923	Balancing Spring WM 20	2 Pcs	



Outer door

ASKO, W6221 US - Bisque (WM44AUS)

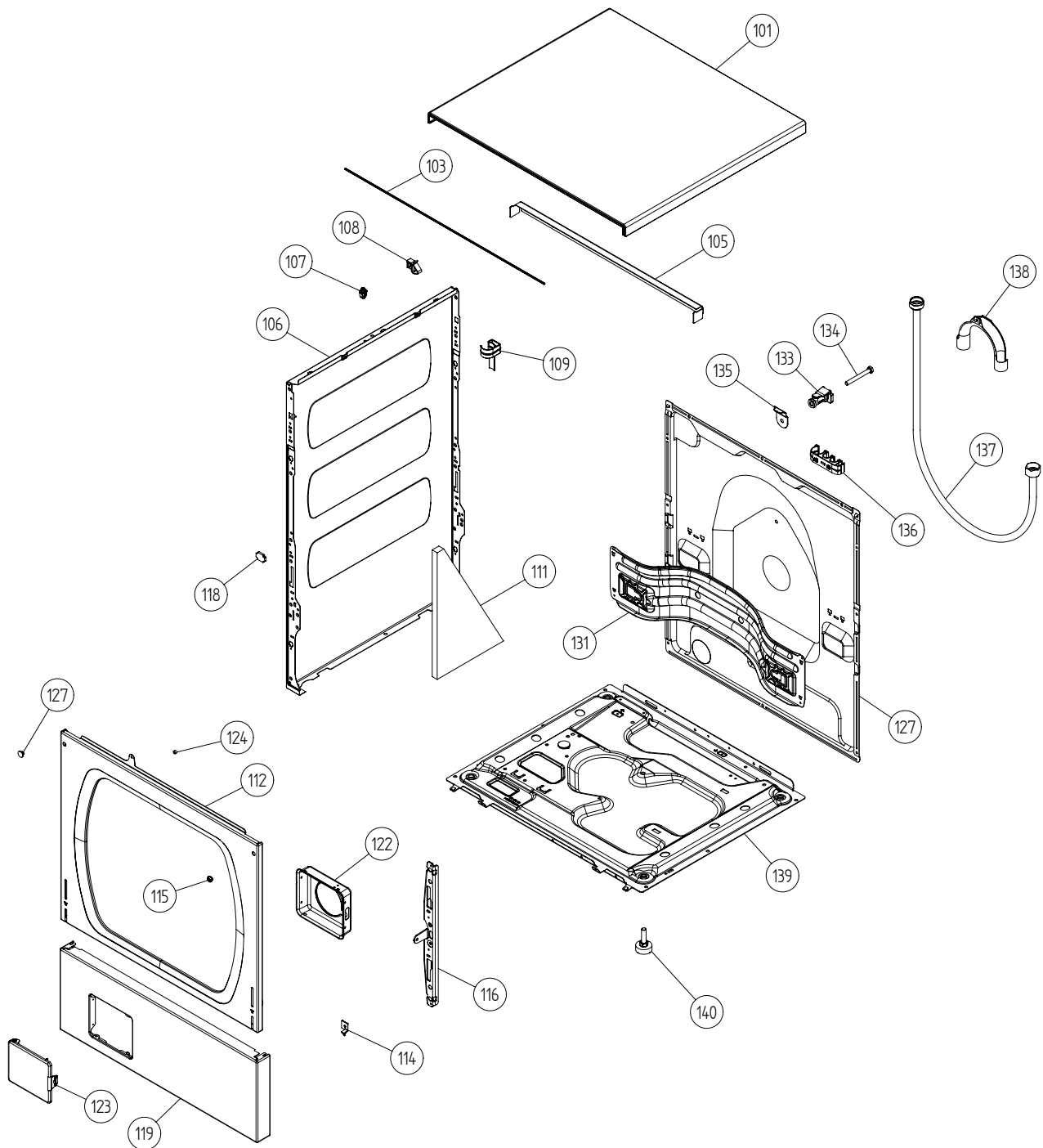
Pos	Spare part No.	Description	Qty	Comment
601	8061733-84	DOOR OUTER PART BISQUE	1 Pcs	
602	8061734	Door Inner Part Cromed WM 20	1 Pcs	
604	8061656-86	HANDLE FRONT DOOR BLACK	1 Pcs	
606	8061764	Reinforcement Hinge WM 20	1 Pcs	
606-a	8901969	Screw	4 Pcs	
606-b	8901097	Screw Terminal	4 Pcs	
609	8061906	Hinge Electric WM 20	2 Pcs	
609-a	8901192	Locking Nut WM 03/05	2 Pcs	
609-b	8901004	Screw	2 Pcs	
609-c	7382628	Nylon Washer	2 Pcs	
612	8061777-0	Guide Hinge WM 20 White	2 Pcs	
615	8061742	Tension Spring Hinge WM 20	1 Pcs	
616	8061909	Glide Sleeve Tension Spring	1 Pcs	



Lower session

ASKO, W6221 US - Bisque (WM44AUS)

Pos	Spare part No.	Description	Qty	Comment
201	8801171	Spring Leg Kit W600s Set	1 Pcs	
202	8055796	RUBBER BUFFER SPRING LEG	4 Pcs	
203	8055797	RUBBER BUFFER SPRING LEG	4 Pcs	
204	8061668	Rubber Damper Spring Leg	4 Pcs	
206	8063733	Motor FHP WM33/44	1 Pcs	
206-a	8901155	Nut	2 Pcs	
206-b	8901337	Washer	1 Pcs	
207	8058261	Spacer Tube Motor 05 WM	2 Pcs	
208	8063591	Screw	2 Pcs	
210	8087403	Cable set WM33/44	1 Pcs	
215	8061681	Bellows Hose Outlet Pump WM20	1 Pcs	
215-a	8063262	Hose Clip	1 Pcs	
215-b	8056471	Hose Clips	1 Pcs	
215-c	8052083	Hose Clip	1 Pcs	
219	8061924	Pressure Chamber	1 Pcs	
219-c	8052083	Hose Clip	1 Pcs	
220	7382670	Rubber Hose	1 Pcs	
221	8801264	DRAIN PUMP COMPL. SYNCR. 60HZ	1 Pcs	
222	8061649	Rubber Buffer Drain Pump WM20	2 Pcs	
223	8061796	Rubber Ring Drain Pump WM20	1 Pcs	
224	8061725	Drain Hose WM20	1 Pcs	
224-a	8052731	Squeeze Clamp	1 Pcs	
226	8061998	Outlet Hose WM20	1 Pcs	
226-a	8056491	Hose Clamp Squeeze	1 Pcs	
228	33700183	Terminal	1 Pcs	
228-a	8901097	Screw Terminal	1 Pcs	
228-b	8901413	Lock Washer laundry tops	1 Pcs	
230	8061738	Thermistor Holder WM20	1 Pcs	
231	8061663	TMistor 600s	1 Pcs	
232	8061976	Cable Holder W600	2 Pcs	
234	8061674	Recirculation Stub	1 Pcs	
235	8061673	Grommet Recirculation Stub	1 Pcs	
236	8063721	Hose recirculation WM20	1 Pcs	
236-a	8054196	Clamp	2 Pcs	
240	8061706	Heating Element 600	1 Pcs	



Outer casing

ASKO, W6221 US - Bisque (WM44AUS)

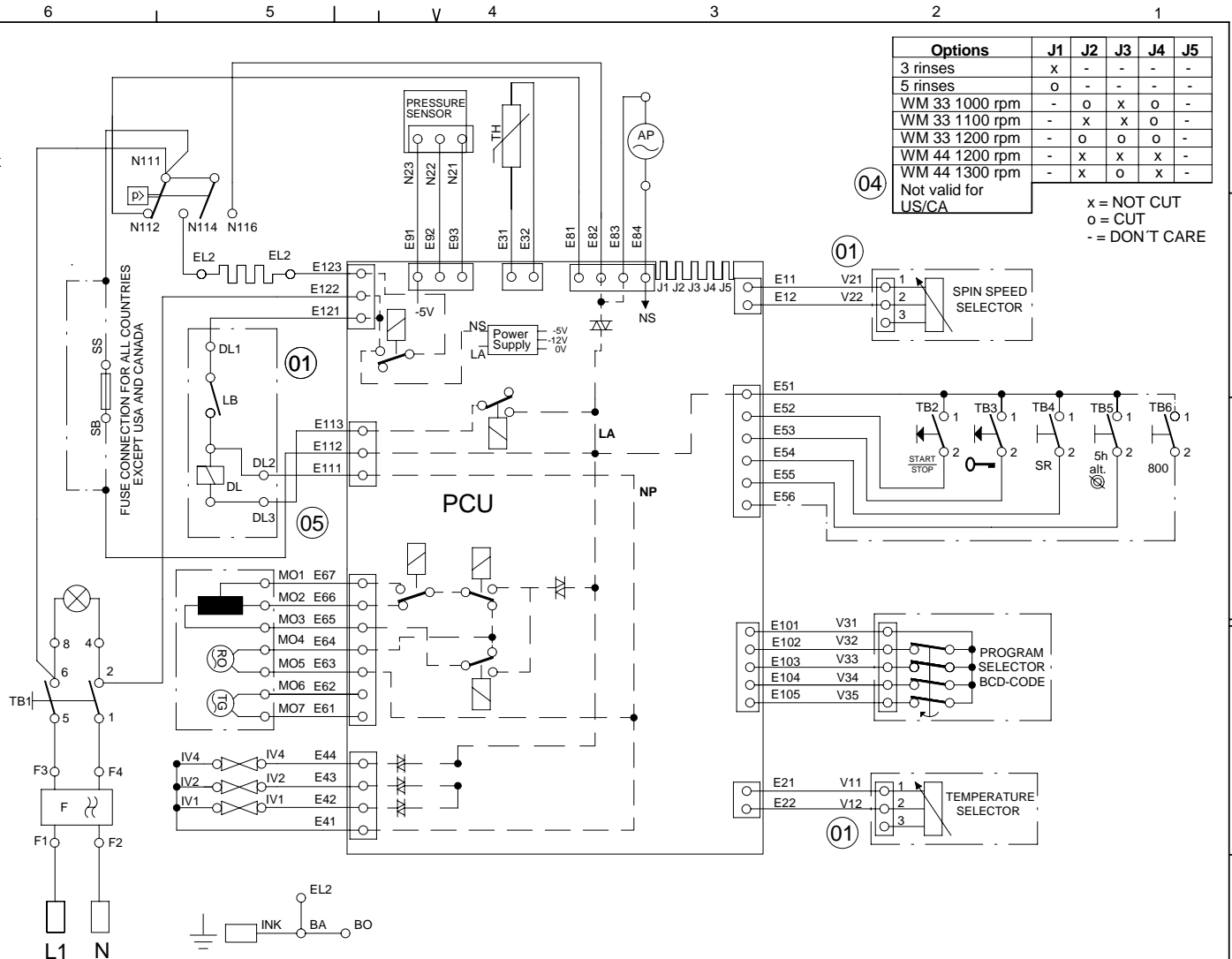
Pos	Spare part No.	Description	Qty	Comment
101	8061817-84	TOP COVER BISQUE	1 Pcs	
101-a	8900338	Screw 20 Torx Self Tapping	3 Pcs	
101-b	8901413	Lock Washer laundry tops	2 Pcs	
103	8064062	Top Cover Strip	1 Pcs	
105	8064198	Support Beam	1 Pcs	
106	8801174-84	SIDE PLATE COMPL. WM20	2 Pc's	
107	8061763	Clip Front Plate 600700s	2 Pcs	
108	8061916	CABLE HOLDER WMD20	3 Pcs	
109	8061713	HOLDER HOSE/SIDE PLATE WMD20	2 Pcs	
111	8064017	Insulation	1 Pcs	
112	8061732-84	FRONT PLATE BISQUE	1 Pcs	
112-a	8900327	Screw 20 Torx Self Tapping	4 Pcs	
112-b	8901413	Lock Washer laundry tops	2 Pcs	
114	8064177	Hook Lower Pane	2 Pcs	
114-a	8900338	Screw 20 Torx Self Tapping	2 Pcs	
115	8061741	RUBBER BUFFER FRONT DOOR	2 Pcs	
116	8061744	HINGE BEARING	2 Pcs	
116-a	8901097	Screw Terminal	6 Pcs	
118	8061745	RUBBER BUFFER HINGE	2 Pcs	
119	8064294-84	Lower Cover Bisque	1 Pcs	
119-a	8900327	Screw 20 Torx Self Tapping	2 Pcs	
119-b	8901413	Lock Washer laundry tops	2 Pcs	
122	8061785	PUMP GUARD WM20	1 Pcs	
123	8061657-84	DOOR OUTLET PUMP BISQUE	1 Pcs	
127	8061737	REAR PANEL WM20	1 Pcs	
127-a	8061959	Plug Hum. Sensor	1 Pcs	
127-b	8900338	Screw 20 Torx Self Tapping	11 Pcs	
131	8061693	Cross Beam Rear 600	1 Pcs	
131-a	8900338	Screw 20 Torx Self Tapping	4 Pcs	
131-b	8901413	Lock Washer laundry tops	1 Pcs	
133	8064206-UL	GrommetShipping Support 600s	3 Pcs	
134	8901037	Screw bufo	3 Pcs	
135	8061767	Locking Clip Shipping 600s	3 Pcs	
136	8065773	HOLDER FRAME REAR COVER	2 Pc's	Bild saknas
137	8056950	Fill Hose Pex WM	1 Pcs	
138	8050805	GOOSE NECK for DRAIN HOSE	1 Pcs	
138-a	8002263	Cable Strip	1 Pcs	
139	8061618	BASE PAN WMD20	1 Pcs	
140	8059334	Leveling Leg Comp. WMD 20	4 Pcs	

KOMPLETTSCHEMA 80 643 67 - 03

SUNUMD2011_Tryckunderlag\Kopplingschema\8064368 Kopplingschema WM 33A_44A\8064368 Kopplingschema 33A_44A-06.dft_pema , 2004-06-01 15:39:08

- EL: HEATER VÄRMEELEMENT
- F: FILTER
- AP: DRAIN PUMP AVLOPPSPUMP
- MO: MOTOR
- TH: THERMISTOR
- DL: DOORLOCK DÖRRLÅS
- PCU: PROGRAM CONTROL UNIT PROGRAM KONTROLLENHET
- IV1: INLET VALVE PREWASH AND RINSE INLOPPSVENTIL FÖRTVÄTT OCH SKÖLJ
- IV2: INLET VALVE MAINWASH COLD INLOPPSVENTIL HUVUDTVÄTT
- IV4: INLET VALVE RINSE AGENT INLOPPSVENTIL SKÖLJMEDEL
- BA: TUB BALJA
- BO: BOTTOM BOTTEN
- INKB: MAIN TERMINAL BLOCK INKOPPLINGSPLINT
- TG: TACHOGENERATOR
- RO: ROTOR
- R: RELAY RELÄ
- N1: LEAVEL SWITCH NIVÅVAKT
- TB: PUSH BOTTON TRYCKBRYTARE

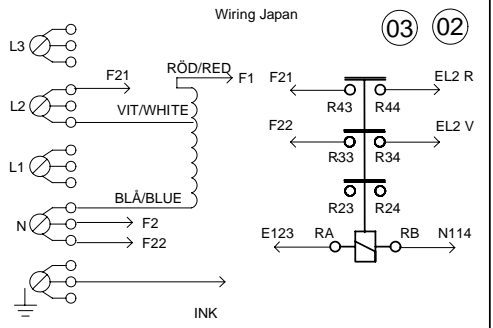
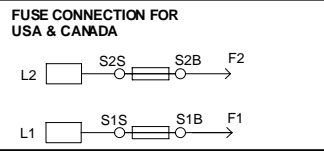
- INTERNAL CONNECTION INTERN KOPPLING
- - ALTERNATIVE WIRING ALTERNATIV KOPPLING



Options	J1	J2	J3	J4	J5
3 rinses	x	-	-	-	-
5 rinses	o	-	-	-	-
WM 33 1000 rpm	-	o	x	o	-
WM 33 1100 rpm	-	x	x	o	-
WM 33 1200 rpm	-	o	o	o	-
WM 44 1200 rpm	-	x	x	x	-
WM 44 1300 rpm	-	x	o	x	-

Not valid for US/CA

x = NOT CUT
o = CUT
- = DON'T CARE



Rev ind	Revision	Appd	Year	Week
06	Drawing adjustments	PM	04	23
05	Changed DL1 and DL3	PS	03	03
04	Added 1300rpm	PS	02	35
03	Modified Japan wiring	PS	01	50
02	Added Japan wiring	PS	01	44
01	Changed V1, V2 and DL	SS	01	34

Pos.	Qty	Part No.	Name of item	Material
Material		Dens.Kg/dm3	Dimensions, Type, etc.	
Scale		Gen.tolerance		Description(ENG)
1:1				CIRCUIT DIAGRAM WM 33A/44A
Designed by		Gen.tol.Angle		Description(SE)
sosv				KOPPLINGSSCHEMA WM 33A/44A
Released by		Iss by	Dept	Year
		UT	01	01
		Week	32	
ASKO CYLINDA				Rev Ind
80 643 68				Replace
06				Project
80 643 68-05				

This document must not be copied without our written permission, and the contents may not be used for any unauthorized purpose. Askö Cylinda AB