

BLACK+DECKER™

EASY 8-CUP COFFEEMAKER

CAFETERA FÁCIL DE USAR
DE 8 TAZAS

CAFETIÈRE DE 8 TASSES FACILE À
UTILISER



CM4500BD



Thank you for your purchase!

Gracias por su compra!

Merci de votre achat!



Register online at
Regístrese en línea en
Enregistrez le produit en ligne à

www.prodprotect.com/applica



Rate and review your products at
Evalue su producto en
Évaluez vos produits et faites vos commentaires à

www.BlackAndDeckerAppliances.com



Share your pictures & stories with us online
Comparta sus fotografías e historias con nosotros en línea
Partagez vos photos et vos histoires avec nous en ligne



Should you have any questions or concerns with your new product, please call our Customer Service Line at 1-800-231-9786 (US and Canada). Please do not return to the store.

Si usted tiene alguna inquietud o pregunta con su producto, por favor llame a nuestra línea de servicio al cliente una atención inmediata 1-800-231-9786 (EE.UU./Canadá) 01-800-714-2503 (México). No devuelva a la tienda.

Si vous avez des questions ou des préoccupations à propos de votre nouveau produit, veuillez communiquer avec notre Service à la clientèle au 1 800 231-9786 (États-Unis et Canada). Veuillez ne pas rapporter le produit au magasin.

IMPORTANT SAFEGUARDS.

When using electrical appliances, basic safety precautions should always be followed to reduce the risk of fire, electric shock, and/or injury, including the following:

- Read all instructions prior to use.
- Do not touch hot surfaces. Use handles or knobs.
- To protect against fire, electrical shock and injury to persons, do not immerse cord, plugs or appliance in any liquids.
- Close supervision is necessary when any appliance is used by or near children.
- Unplug appliance from outlet when not in use.
- Allow appliance to cool before cleaning and adding or removing parts.
- Do not operate any appliance with a damaged cord or plug, or after the appliance malfunctions or has been damaged in any manner. Contact consumer support at the number listed in this manual.
- The use of accessory attachments that have not been recommended by the appliance manufacturer may result in fire, electric shock or injury to persons.
- Do not use outdoors.
- Do not let cord hang over edge of table or counter, or touch hot surfaces.
- Do not place appliance on or near a hot gas or electric burner, or in a heated oven.
- To disconnect, turn the unit OFF, then remove plug from wall outlet.
- Do not use this appliance for anything other than its intended use.
- Keep lid on the carafe when it use.
- Scalding and/or burns may occur if the carafe lid is removed or unit cover is opened during the brewing cycle.
- The unit's carafe is designed for use only with this appliance. It must never be used to a range top.
- Do not set a hot carafe on a wet or cold surface.
- Do not use a cracker carafe or a carafe having a loose or weakened handle.
- Do not clean carafe with harsh cleansers, steel wool or other abrasive material.
- This appliance is not intended for use by persons (including children) with reduced physical, sensory or mental capabilities, or lack of experience and knowledge, unless they have been given supervision or instruction concerning use of the appliance by a person responsible for their safety.
- Children should be supervised to ensure that they do not play with the appliance.

SAVE THESE INSTRUCTIONS.

This product is for household use only.

POLARIZED PLUG (120V models only)

This appliance has a polarized plug (one blade is wider than the other). To reduce the risk of electric shock, this plug is intended to fit into a polarized outlet only one way. If the plug does not fit fully into the outlet, reverse the plug. If it still does not fit, contact a qualified electrician. Do not attempt to modify the plug in any way.

TAMPER-RESISTANT SCREW

Warning: This appliance is equipped with a tamper-resistant screw to prevent removal of the outer cover. To reduce the risk of fire or electric shock, do not attempt to remove the outer cover. There are no user-serviceable parts inside. Repair should be done only by authorized service personnel.

ELECTRICAL CORD

1. A short power-supply cord is provided to reduce the risk resulting from becoming entangled in or tripping over a longer cord.
2. Extension cords may be used if care is exercised in their use.
3. If a long detachable extension cord is used:
 - a) The marked electrical rating of the power cord or extension cord should be at least as great as the electrical rating of the appliance.
 - b) If the appliance is of the grounded type, the extension cord should be a grounding-type 3-wire cord.
 - c) The cord should be arranged so that it will not drape over the countertop or tabletop where it can be pulled on by children or tripped over.

Note: If the power cord is damaged, please contact the warranty department listed in these instructions.

WELCOME!

Congratulations on your purchase of the Black & Decker Easy 8-Cup Coffeemaker. We have developed this guide to ensure optimal product performance and your complete satisfaction. Save this use and care manual and be sure to register your appliance online at www.prodprotect.com/applica.

CONTENTS

Important Safeguards	3
Table of Contents	4
Getting to know your Coffee Maker	5
Before Brewing	6
Using your Choice of Coffee Filter	6
Brewing Coffee	7
Care and Cleaning	8-9
Troubleshooting	9
Warranty and Customer Service Information	10

SAVE THESE INSTRUCTIONS.

This product is for household use only.

GETTING TO KNOW YOUR EASY 8-CUP COFFEEMAKER

USE WITH
THESE FILTERS:



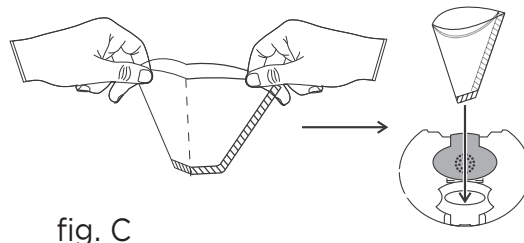
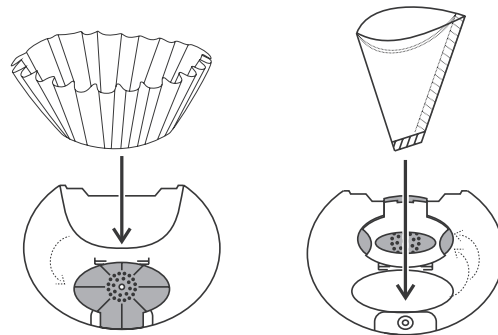
1. Removable Water Reservoir (Part #CM4500-01)
2. Reservoir lid with dual openings
3. Brew basket lid
4. Washable Brew Basket (Part #CM4500-02)
5. 8-Cup Glass Carafe (Part #CM4500-03)
6. Carafe Lid (Part #CM4500-04)
7. Nonstick “keep hot” carafe plate
8. Coffee Scoop (Part #CM4500-05)
9. Illuminated On/Off Button
10. Illuminated Cup Selector Lights

BEFORE BREWING

1. Register your product at www.prodprotect.com/applica
2. Carefully unpack your coffeemaker, removing all packaging materials, labels, and/or stickers.
3. Remove the plastic band around the power plug using scissors.
4. Clean all removable parts of your coffeemaker in warm, soapy water. Rinse and dry these parts prior to placing them back into your coffeemaker.
5. To clean the inside of your coffeemaker, run two full brewing cycles using only water, no coffee.
 - a. Make sure your coffeemaker is plugged in.
 - b. Fill the reservoir to the 8 cup mark with fresh, cool water and place carafe onto the carafe plate.
 - c. Press the Power button.
 - d. Once the cycle is finished, discard water.
 - e. Turn off appliance, unplug and allow to cool down for 15 minutes before repeating.

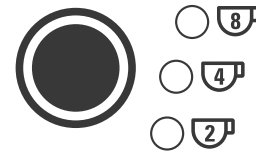
USING YOUR CHOICE OF COFFEE FILTER

- If using a basket shaped coffee filter, lower both plastic tabs into the brew basket so they rest horizontally. Place the basket filter on top of the tabs inside the brew basket (fig. A).
- If using a cone style filter to brew 8 cups of coffee, lift both plastic tabs so they rest flush against the back of the brew basket. Open a #4 cone filter and place it directly into the brew basket (fig. B).
- If using a cone style filter to brew 2 or 4 cups of coffee, lower only the tab containing an oval shaped cut out (fig. C). Place a #4 paper cone filter, folded in half or a #2 cone filter into the opening in the tab



BREWING COFFEE

1. Plug in coffeemaker. The On/Off button will illuminate and remain illuminated, indicating the coffeemaker has power.
2. Remove water reservoir and fill with water up to at least the marking that is equal to the number of cups of coffee to be brewed.
3. Place the paper filter of your choice into the brew basket (see USING YOUR CHOICE OF COFFEE FILTER section for assistance).
4. Use the built in scoop to add ground coffee into the paper filter. We suggest one scoop per cup of coffee. Adjust for your personal taste.
5. Close filter basket lid tightly to ensure coffee flows smoothly into the carafe. Overflows may occur if the filter basket lid is not properly closed.
6. Place the carafe on the carafe plate with lid closed or secured tightly. Coffee may run over if carafe lid is not correctly in place.
7. Press the illuminated On/Off button once to brew 2 cups, twice to brew 4 cups or three times to brew 8 cups of coffee. The brew cycle will automatically start. There is no need to push the illuminated On/Off button again.
8. While brewing, the Sneak-A-Cup™ feature will stop coffee flow into the carafe, allowing you to pour a cup of coffee before the brew cycle finishes. Always return the carafe on to the carafe plate within 20 seconds to prevent coffee overflow.
9. To stop your coffeemaker's brew cycle at any time, press the illuminated On/Off button.
10. When the brew cycle is complete:
 - 2 or 4 Cups: The unit will automatically shut off.
 - A full 8-cup carafe: the warming plate will remain on for 1 hour before automatically shutting off. CAUTION: Do not touch the carafe plate. It will be hot!
11. When coffee grounds are cool, carefully remove and dispose of the used grounds and filter.
12. Clean your coffeemaker according to the instruction in the "CARE AND CLEANING" section.



CARE AND CLEANING

Cleaning your coffeemaker, following the directions below is recommended after every use.

Cleaning

1. Make sure your coffeemaker is unplugged and cool.
2. Open your coffeemaker's filter basket lid and remove the brew basket.
3. If remaining, throw away the used paper filter and coffee grounds.
4. Wash the brew basket and carafe by hand in warm, soapy water or on the top rack of your dishwasher (ensure carafe is applicable below).
5. Wipe the outside of the coffeemaker, power cord and carafe plate with a soft, damp cloth.
6. To clean the inside of the filter basket lid, open the filter basket lid and wipe any surfaces with a damp cloth.

Note: Do not use abrasive cleansers or scouring pads on this product. Never immerse the coffeemaker in water.

COFFEEMAKER PART	CLEANING INSTRUCTIONS
Housing Carafe Plate Power Cord	Wipe with a soft, damp cloth.
Carafe Lid Brew Basket Glass Carafes	Wash by hand in warm soapy water, or in the dishwasher (top rack only).
Thermal Carafes	Wash by hand in warm soapy water

Descaling with Vinegar

To remove mineral build up that can affect the taste and quality of your coffee, descaling your coffeemaker with vinegar every 3 to 6 months is recommended.

To descale, follow the instructions below:

1. Open the filter basket lid and fill the water reservoir approximately half way with white vinegar. Fill the remaining half of the water reservoir with cool water.
2. Place a paper filter into the brew basket, close the lid and check to ensure the empty carafe is placed on the carafe plate.
3. Push the POWER button to start the brewing cycle.
4. After approximately half the cleaning mixture has brewed into the carafe, press the POWER button again to turn OFF the unit.
5. Let soak for a minimum of 15 minutes and then press POWER again to turn the coffeemaker on.
6. Brew the remaining cleaning mixture into the carafe.
7. Following 'Cleaning' instructions from above.
8. Run a full brew cycle using only water. You may want to repeat this step more than once.
9. Wash the brew basket and carafe as instructed above.

TROUBLESHOOTING

PROBLEM	POSSIBLE CAUSE	SOLUTION
Coffeemaker does not turn on.	Coffeemaker is not plugged in.	Make sure appliance is plugged into a working outlet.
Coffeemaker is leaking.	Water reservoir may be overfilled.	Make sure water reservoir has not been filled beyond the 12-cup MAX line.
	Cover may not be correctly placed on carafe	Make sure cover is correctly placed and tightened on carafe
	Carafe may not be correctly placed on the carafe plate	Make sure carafe is placed correctly on the carafe plate.
The brew basket overflows.	The carafe has been removed for longer than 20 seconds when using the Sneak-A-Cup™ feature.	Make sure to replace the carafe within 20 seconds during the brewing cycle.
	Excessive amount of coffee is used.	Reduce the amount of coffee used to eliminate brew basket overflows.
Coffee sediment in brewed cup of coffee.	The paper filter and/or the brew basket are not properly placed.	Insert basket-shaped paper filter into brew basket and insert basket properly into holder.
The coffeemaker brews slowly.	The coffee maker needs cleaning.	Follow the instructions in the “Descaling with Vinegar” section.

If additional assistance is needed, please contact our consumer service team at **1-800-231-9786**.

WARRANTY AND CUSTOMER SERVICE INFORMATION

For service, repair or any questions regarding your appliance, call the appropriate 800 number listed within this section. Please **DO NOT** return the product to the place of purchase. Also, please **DO NOT** mail product back to manufacturer, nor bring it to a service center. You may also want to consult the website listed on the cover of this manual.

Two-Year Limited Warranty (Applies only in the United States and Canada)

What does it cover?

- Any defect in material or workmanship provided; however, Spectrum Brands, Inc.'s liability will not exceed the purchase price of product.

For how long?

- Two years from the date of original purchase with proof of purchase.

What will we do to help you?

- Provide you with a reasonably similar replacement product that is either new or factory refurbished.

How do you get service?

- Save your receipt as proof of date of sale.
- Visit the online service website at www.prodprotect.com/applica, or call toll-free **1-800-231-9786**, for general warranty service.
- If you need parts or accessories, please call **1-800-738-0245**.

What does your warranty not cover?

- Damage from commercial use
- Damage from misuse, abuse or neglect
- Products that have been modified in any way
- Products used or serviced outside the country of purchase
- Glass parts and other accessory items that are packed with the unit
- Shipping and handling costs associated with the replacement of the unit
- Consequential or incidental damages (Please note, however, that some states do not allow the exclusion or limitation of consequential or incidental damages, so this limitation may not apply to you.)

How does state law relate to this warranty?

- This warranty gives you specific legal rights. You may also have other rights that vary from state to state or province to province.

Por favor lea este instructivo antes de usar el producto.

INSTRUCCIONES IMPORTANTES DE SEGURIDAD

Al utilizar cualquier aparato eléctrico siempre deben tomarse precauciones básicas de seguridad, incluyendo las siguientes:

- Lea todas las instrucciones antes de utilizar.
- No toque las superficies calientes. Use las asas o las perillas.
- A fin de protegerse contra un incendio, descarga eléctrica y lesiones a las personas, no sumerja el cable, los enchufes ni el aparato en agua ni en ningún otro líquido.
- Todo aparato eléctrico utilizado cerca de la presencia de los niños o por ellos mismos, requiere la supervisión de un adulto.
- Desenchufe el aparato del tomacorriente cuando no esté en uso.
- Espere a que el aparato se enfríe antes de instalarle o retirarle piezas y antes de limpiarlo.
- No opere ningún aparato eléctrico que tenga el cable o el enchufe averiado, que presente un problema de funcionamiento o que esté dañado. Devuelva el aparato al centro de servicio autorizado más cercano para que lo examinen, reparen o le hagan los ajustes necesarios.
- El uso de accesorios no recomendados por el fabricante para ser utilizados con este aparato puede ocasionar incendio, descarga eléctrica o lesiones a las personas.
- No utilice este aparato a la intemperie.
- No permita que el cable cuelgue del borde de la mesa o del mostrador ni que entre en contacto con las superficies calientes.
- No coloque el aparato sobre ni cerca de una hornilla de gas o eléctrica ni adentro de un horno caliente.
- Para desenchufar, ajuste todo control a la posición de apagado (OFF) y después retire el enchufe del tomacorriente.
- Este aparato se debe usar únicamente con el fin previsto.
- La tapa debe mantenerse sobre la jarra cuando el aparato está en uso.
- El retirar o abrir la tapa durante el ciclo de colado puede ocasionar quemaduras.
- La jarra está diseñada para ser utilizada con este aparato. Jamás se deberá utilizar sobre una estufa.
- Nunca coloque una jarra caliente sobre una superficie fría ni mojada.
- No utilice la jarra si el vidrio se ha rajado o si el asa está floja o débil.
- No limpie la jarra con limpiadores abrasivos, con almohadillas de fibra de metal ni demás limpiadores abrasivos.
- Este aparato no está diseñado para ser usado por personas (incluyendo los niños) con su capacidad física, psíquica o sensorial reducida, o con falta de experiencia o sabiduría, a menos que sean supervisadas o instruidas acerca del uso del aparato por una persona responsable de su seguridad.
- Los niños deben ser supervisados para asegurar que no jueguen con el aparato.

CONSERVE ESTAS INSTRUCCIONES. Este aparato eléctrico es para uso doméstico solamente.

ENCHUFE POLARIZADO (Solamente para los modelos de 120V)

Este aparato cuenta con un enchufe polarizado (un contacto es más ancho que el otro). A fin de reducir el riesgo de un choque eléctrico, este enchufe encaja en un tomacorriente polarizado en un solo sentido. Si el enchufe no entra en el tomacorriente, inviértalo y si aun así no encaja, consulte con un electricista. Por favor no trate de alterar esta medida de seguridad.

TORNILLO DE SEGURIDAD

Advertencia: Este aparato cuenta con un tornillo de seguridad para evitar la remoción de la cubierta exterior del mismo. A fin de reducir el riesgo de incendio o de choque eléctrico, por favor no trate de remover la cubierta exterior. Este producto no contiene piezas reparables por el consumidor. Toda reparación se debe llevar a cabo únicamente por personal de servicio autorizado.

CABLE ELÉCTRICO

1. El producto se debe de proporcionar con un cable eléctrico corto, a fin de reducir el riesgo de tropezar o de enredarse en un cable más largo.
2. Si se utiliza un cable separable o de extensión,
 - a) El régimen nominal del cable separable o del cable de extensión debe ser, como mínimo, igual al del régimen nominal del aparato.
 - b) Si el aparato es de conexión a tierra, el cable de extensión debe ser un cable de tres alambres de conexión a tierra.
 - c) Uno debe de acomodar el cable más largo de manera que no cuelgue del mostrador o de la mesa, para evitar que un niño tire del mismo o que alguien se tropiece.

Nota: Si el cordón de alimentación es dañado, en América Latina debe sustituirse por personal calificado o por el centro de servicio autorizado.

¡BIENVENIDO!

Felicitaciones por su compra de la Cafetera de 8 Tazas Fácil de Usar de Black & Decker. Hemos diseñado esta guía para asegurar un rendimiento óptimo del producto y garantizar su satisfacción completa. Conserve este manual de uso y cuidado y asegúrese de registrar su producto en línea, visitando www.prodprotect.com/applica.

TABLA DE CONTENIDO

INSTRUCCIONES IMPORTANTES DE SEGURIDAD	11
TABLA DE CONTENIDO	12
CONOZCA SU CAFETERA	13
ANTES DE COLAR CAFÉ	14
CONOZCA SU CAFETERA DE 8 TAZAS FÁCIL DE USAR	14
PREPARACIÓN DE CAFÉ	15
CUIDADO Y LIMPIEZA	16-17
RESOLUCIÓN DE FALLAS	18
INFORMACIÓN DE GARANTÍA Y SERVICIO AL CLIENTE	19

CONSERVE ESTAS INSTRUCCIONES.

Este aparato eléctrico es para uso doméstico solamente.