

This Owner's Manual is provided and hosted by [Appliance Factory Parts](#).



# FANTECH FTC463801 Owner's Manual

**[Shop genuine replacement parts for FANTECH  
FTC463801](#)**



**[Find Your FANTECH Fan Parts - Select From 108 Models](#)**

----- Manual continues below -----

# SE 704N Fresh Air Appliance

Side duct connection ERV, 56 cfm, w/o control

Item #: 463801

Variant: 120V 1~ 60Hz

- Airflow up to 67 cfm @ 0.3" PS serves 1-2 bedroom homes
- Anti-microbial material
- Withstands freezing
- AHRI certified (energy recovery core)
- Unit can be installed in any position
- No defrost or drain pan needed
- Optional drain line
- No balancing required

## How it works

Fantech's smallest and most compact side duct connection ERV, the SE 704N unit brings a continuous supply of fresh air into a home while exhausting an equal amount of contaminated air. The enthalpic core at the center of the unit transfers heat and moisture from the incoming air to the outgoing air that was cooled and dried by the building's air conditioner.

When it is warm and humid outside and the indoors are cooled and dehumidified already, the ERV pre-cools the fresh incoming air and transfers a portion of the incoming humidity into the exhaust air, reducing the ventilation load. Reducing the load on the homes air conditioner, saves on cooling costs. This unit is designed for warmer, humid climates with longer cooling seasons.

Core, filters and motors can be easily accessed through the latched door. The core conveniently slides out on easy glide core guides.



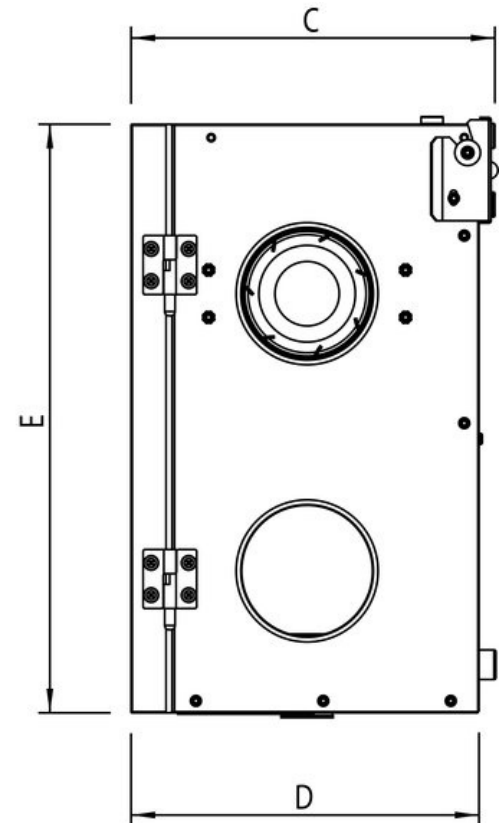
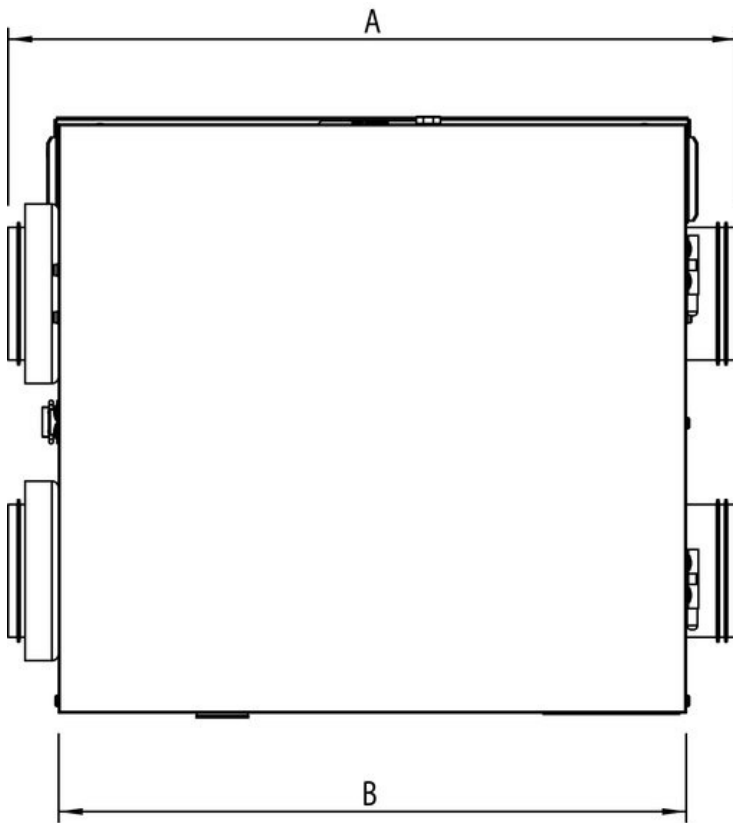
## Technical parameters

Product	
Voltage (nominal)	120 V
Frequency	60 Hz
Phase(s)	1~
Input power	47 W
Input current	0.36 A
Air flow	56 cfm
Static pressure	0.4 in.wg
Dimensions and weights	
Weight	22.9 lb
Used for	
Installation placement	Horizontal

## Performances

	Supply Temperature	Net Airflow		Consumed Power	Net Effectiveness		
		cfm	L/s		Sensible	Latent	Total
	°F (°C)			W	%	%	%
Heating	35 (1.7)	40	19	39	62	44	55
	35 (1.7)	60	28	42	59	41	53
	35 (1.7)	80	38	43	56	37	50
Cooling	95 (35)	40	19	39	62	30	50
	95 (35)	60	28	42	59	37	46
	95 (35)	80	38	43	56	33	42

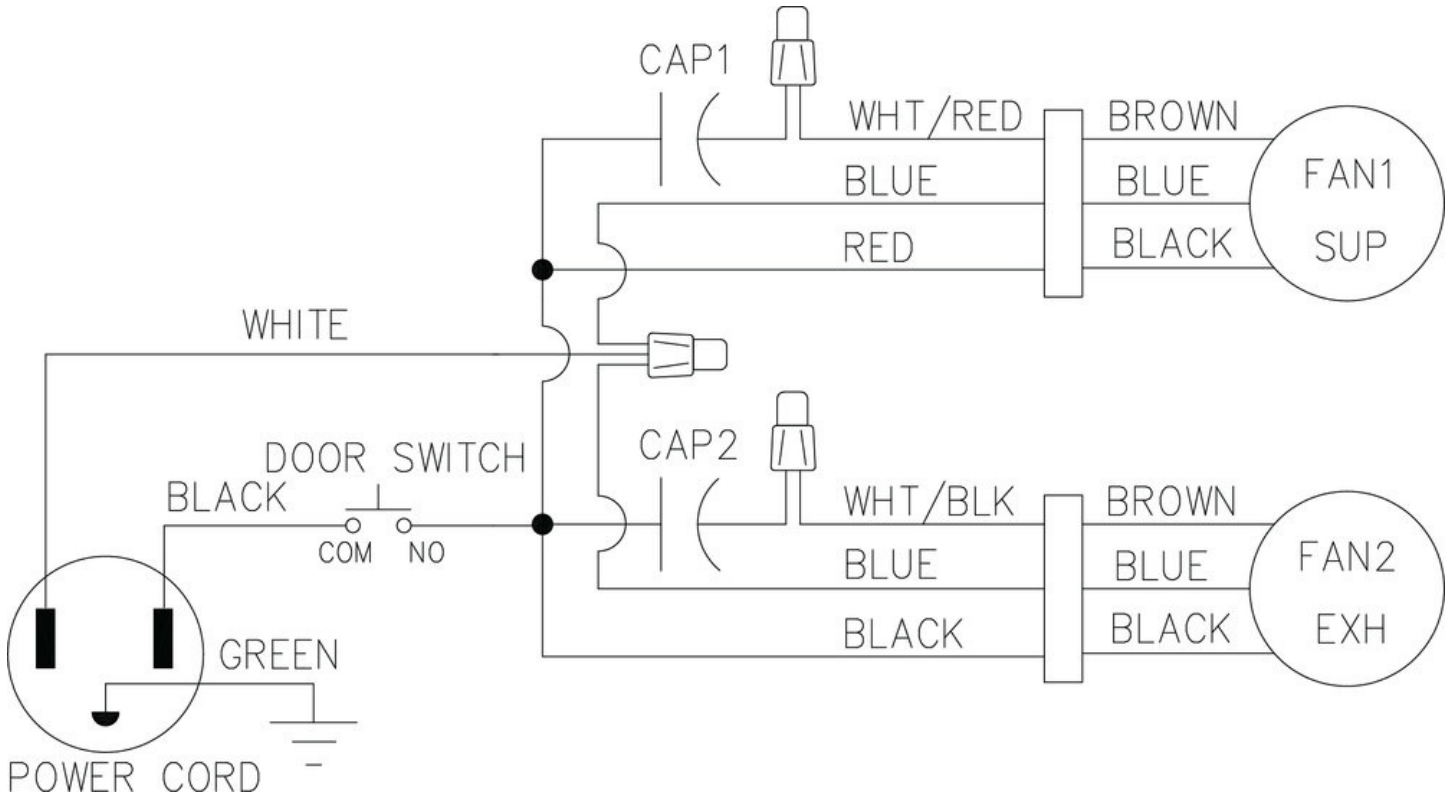
## Dimensions



Model	A	B	C	D	E
SE704N	19 3/4 (502)	18 1/2 (470)	10 11/16 (271)	10 3/16 (259)	17 1/4 (438)

Dimensional information is in inches (mm).

## Wiring



## Accessories

- FTD7 7 Day Digital Timer (49792)
- FIDT 4 Insulated Flex Duct (411061)
- MGE 4 Metal Exhaust Grill (411106)
- COM4P Supply and Exhaust Hoods (40369)
- Filter, MERV8, 70 cfm, Repl.kit (414921)
- MGS 4 Metal Supply Grill (411368)

## Documents

- 444788 SH704 IOM EN FR.pdf
- 463801 SE704 Spare Part List.pdf
- 444797 SE704N Spec Sheet.pdf