

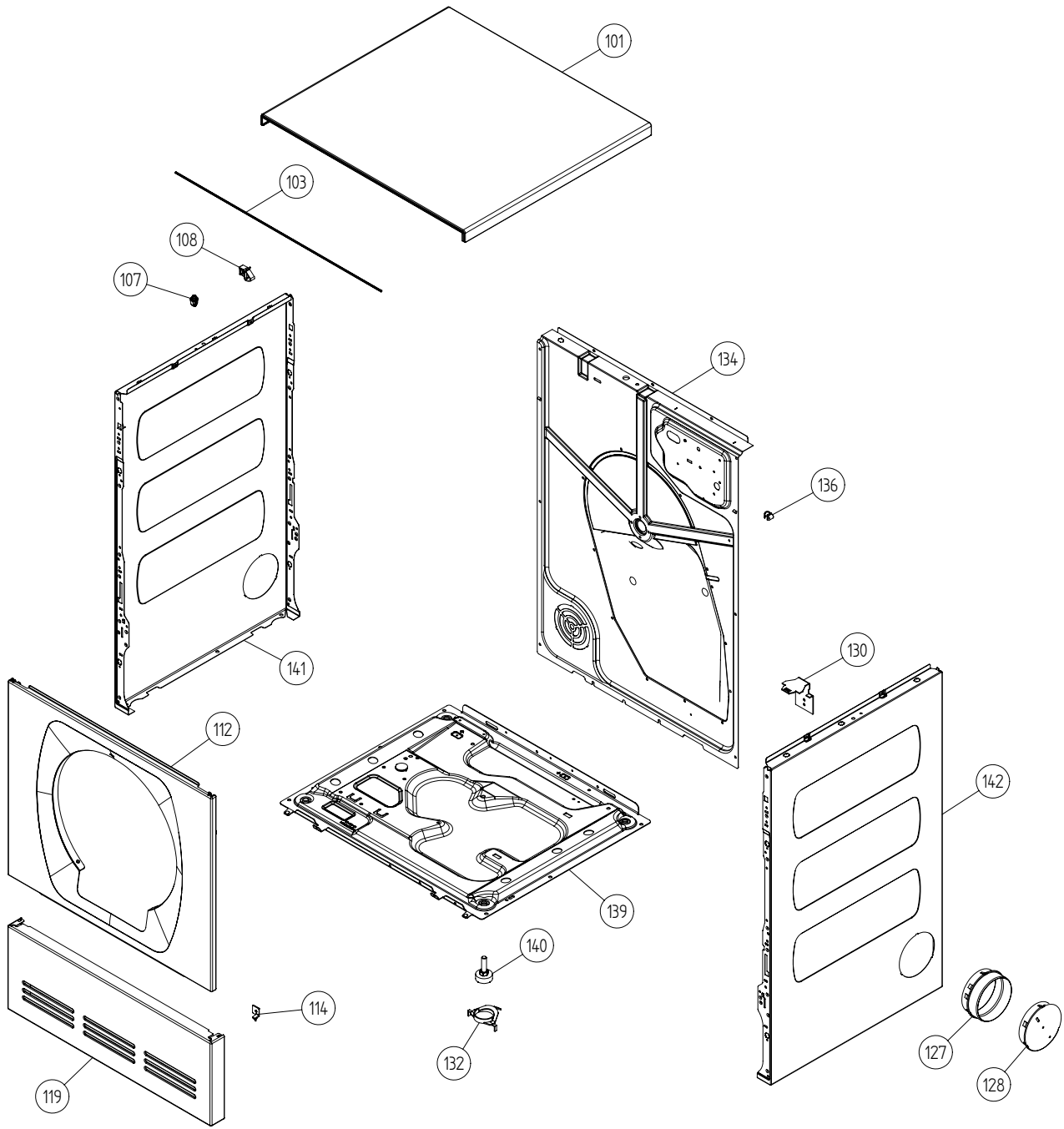
Spare Parts Catalogue

Dryers \ 700 Series
Type: TD11A
Model: T711 US Titanium

Prod. No: 10771116
April 15th 2005

AM Appliances Group

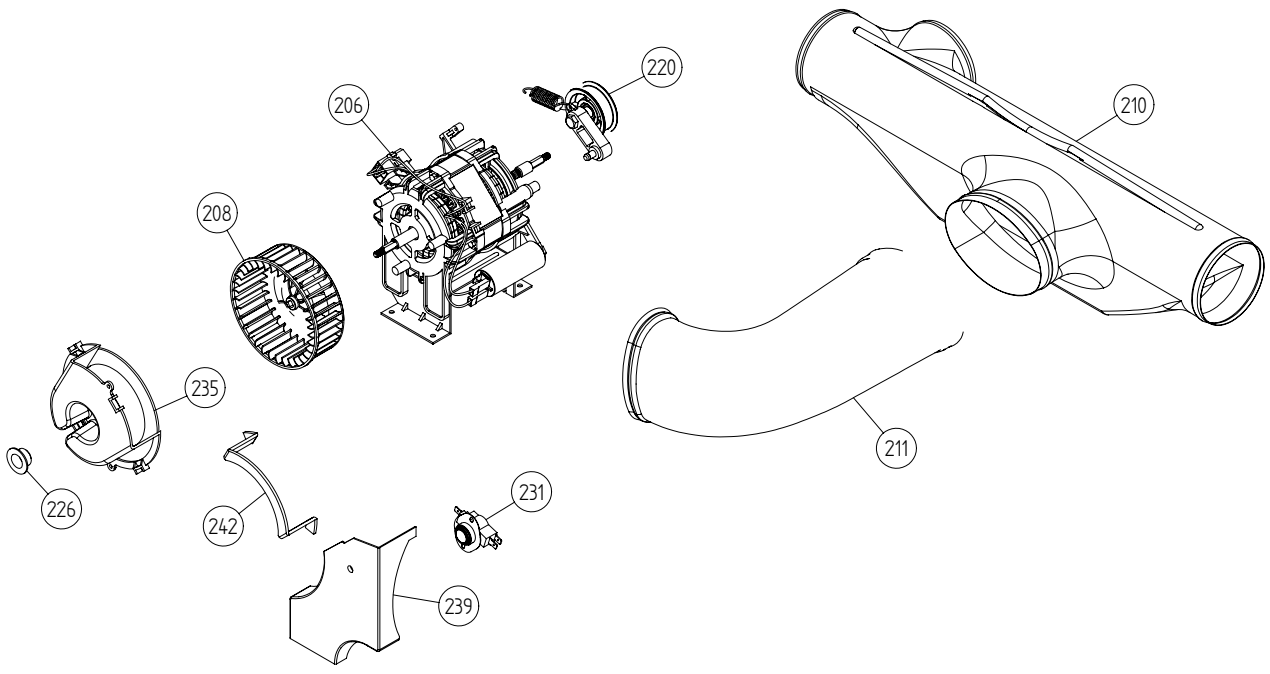
P.O. Box 851805 • Richardson • TX 75085-1805
789 N. Grove Road • Suite 103 • Richardson • TX 75081



Outer casing

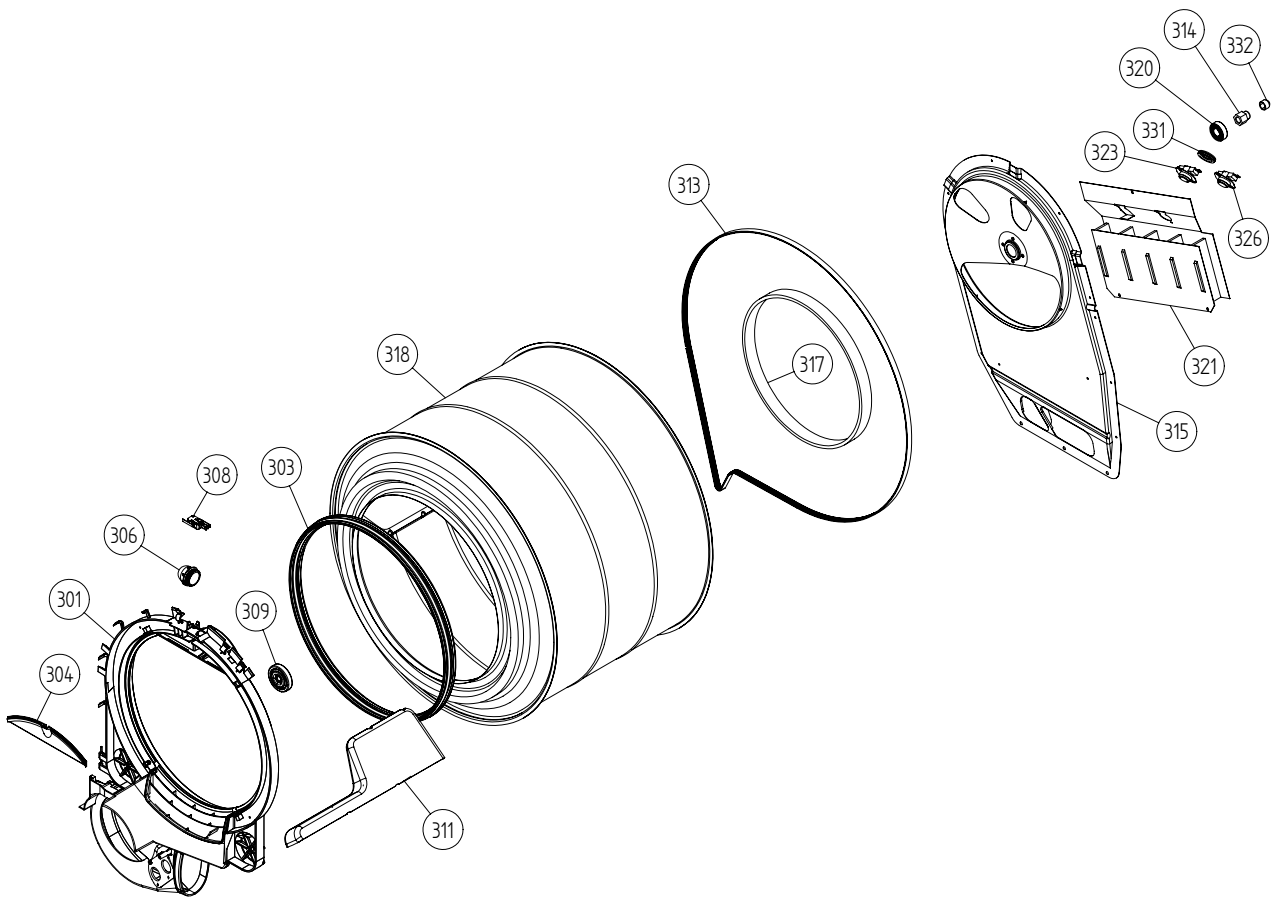
ASKO, T711 US - Titanium #10771116 (TD11A)

Pos	Spare part No.	Description	Qty	Comment
101	8061817-81	Top WM50 titanium	1 Pcs	
101-a	8900338	Screw 20 Torx Self Tapping	3 Pcs	
101-b	8901413	Lock Washer laundry tops	2 Pcs	
103	8064062	Top Cover Strip	1 Pcs	
107	8061763	Clip Front Plate 600700s	2 Pcs	
108	8061916	CABLE HOLDER WMD20	3 Pcs	
112	8061847-81	Front plate TD20 Titanium	1 Pcs	
112-a	8900338	Screw 20 Torx Self Tapping	2 Pcs	
112-b	8901413	Lock Washer laundry tops	2 Pcs	
114	8064177	Hook Lower Pane	2 Pcs	
114-a	8900338	Screw 20 Torx Self Tapping	2 Pcs	
119	8801247-81	LOWER COVER COMPL.W.CLIPS TD20	1 Pcs	
127	8052641	Collar Vent Exhaust TD	1 Pcs	
128	8052640-81-UL	LID EXHAUST CANAL GREY UL4	2 Pcs	
130	8053980	STACKING Bracket ALL TDs Mus	2 Pcs	
132	8064114	Holder Dryer Feet Stacking	1 Pcs	
134	8064196	REAR PANEL OUTER PUNCHED	1 Pcs	
134-a	8900338	Screw 20 Torx Self Tapping	10 Pcs	
136	8061915	Cable Holder T700	1 Pcs	
139	8061618	BASE PAN WMD20	1 Pcs	
140	8059334	Leveling Leg Comp. WMD 20	4 Pcs	
141	8801175-81	Side left titanium TD30	1 Pcs	
142	8801176-81	Side Right TD30 titanium	1 Pcs	



Lower session**ASKO, T711 US - Titanium #10771116 (TD11A)**

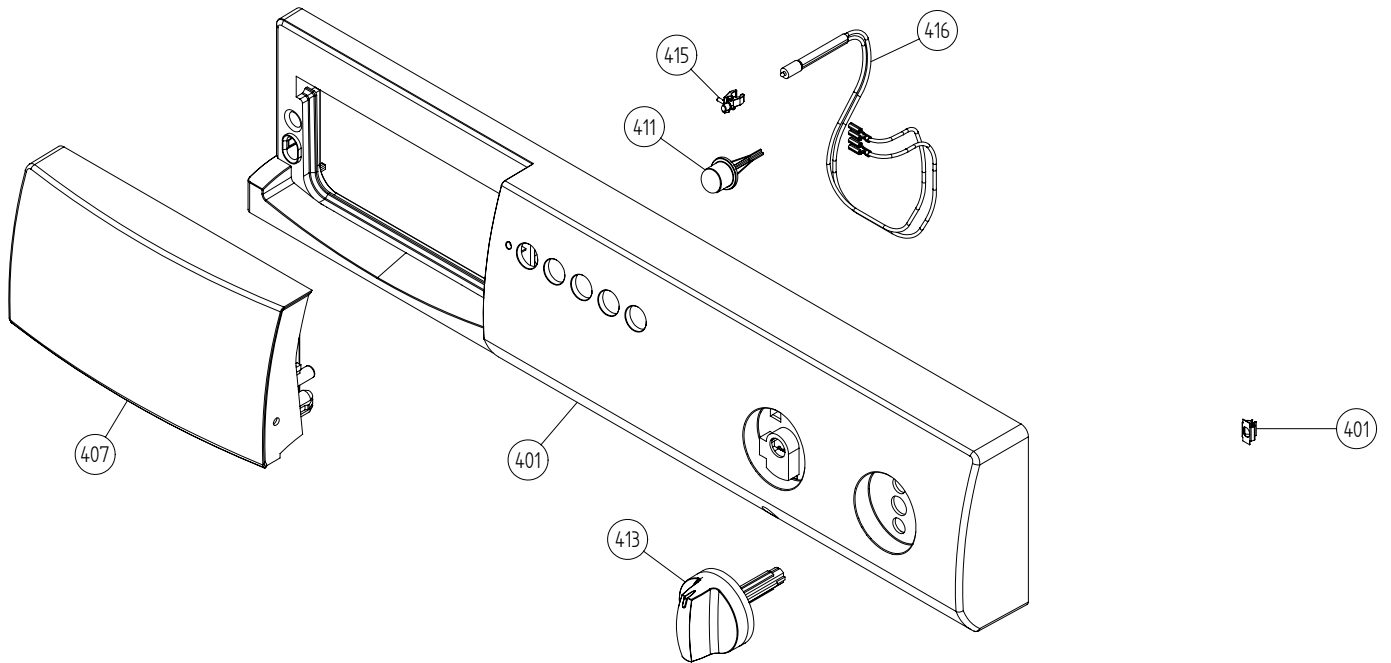
Pos	Spare part No.	Description	Qty	Comment
206	8061895	Motor Dryer 700s	1 Pcs	
206-a	8901969	Screw	4 Pcs	
206-b	8054268	Capacitor Dryer Motor 02/05	1 Pcs	
208	8065797	Fan impeller T711	1 Pcs	
210	8052638	TTube w/o Recirc holes	1 Pcs	
211	8052639	Exhaust Canal Bend	1 Pcs	
220	8801214	TENSION ARM W.BALL BEARING	1 Pcs	
226	8061949	Plug Fan TD700 Series	1 Pcs	
231	8065015	THERMOSTAT 53/42	1 Pcs	
231	8001543	TStat 60C 1303 1353 / TD701	1 Pcs	
231-a	8902042	Screw Protective Cover Dryer	1 Pcs	
235	8076330-0	FAN CASING LID UL4	1 Pcs	
235	8061899	Fan Casing Lid T700	1 Pcs	
235-a	8902042	Screw Protective Cover Dryer	2 Pcs	
239	8076948	PROTECTION FAN HOUSE ASM	1 Pcs	
239-a	8902042	Screw Protective Cover Dryer	1 Pcs	
242	8064184	SEALING COVER FAN HOUSE	1 Pcs	



Cylinder and related parts

ASKO, T711 US - Titanium #10771116 (TD11A)

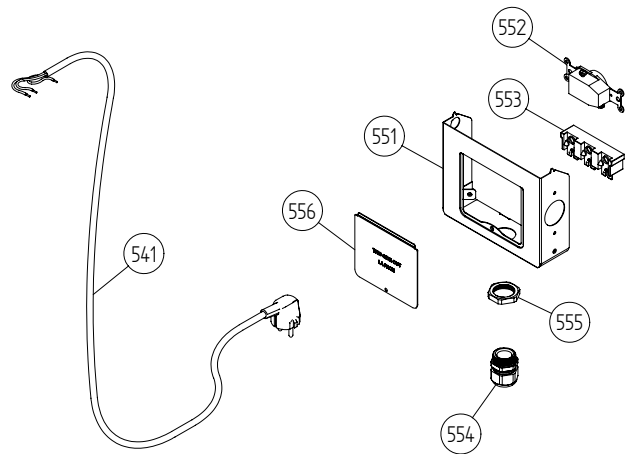
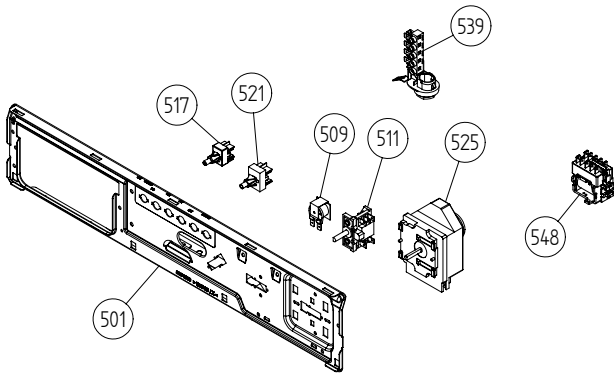
Pos	Spare part No.	Description	Qty	Comment
301	8801216	Front frame compl. TD21	1 Pcs	
301-a	8902066	Screw	4 Pcs	
303	8061821	Front Felt Seal T700	1 Pcs	
304	8061932-49	Lamp housing lid grey TD21	1 Pcs	
306	8061887	Lamp Chimney	1 Pcs	
308	8053107	Micro Switch Dryer 03/05	1 Pcs	
309	8052622	Drum Roller Frt. TD	1 Pcs	
311	8052589	Paddle	2 Pcs	
311-a	8902099	Screw	5 Pcs	
313	8065710	Belt 700s	1 Pcs	
314	8052632	Bushing Rear Drum 03/05 TD	1 Pcs	
315	8061851	Rear Panel Inner T700	1 Pcs	
315-a	8900369	Screw T25	13 Pcs	
317	8064440	Felt sealing rear	1 Pcs	
318	8061800	Cylinder Dryer TD20 Comp.	1 Pcs	
320	8004439	Bearing Dryer Rear Panel All	1 Pcs	
321	8065796	Heating element T711	1 Pcs	
323	8064905	Atuo Reset TStat 175C / TDC	1 Pcs	
323-a	8900369	Screw T25	1 Pcs	
326	8008807	TStat 115C Auto Reset TD	1 Pcs	
326-a	8900369	Screw T25	1 Pcs	
331	8052650	Diaphragm Overheat	1 Pcs	
332	8064151	CAP OF BOLT	1 Pcs	



Control panel

ASKO, T711 US - Titanium #10771116 (TD11A)

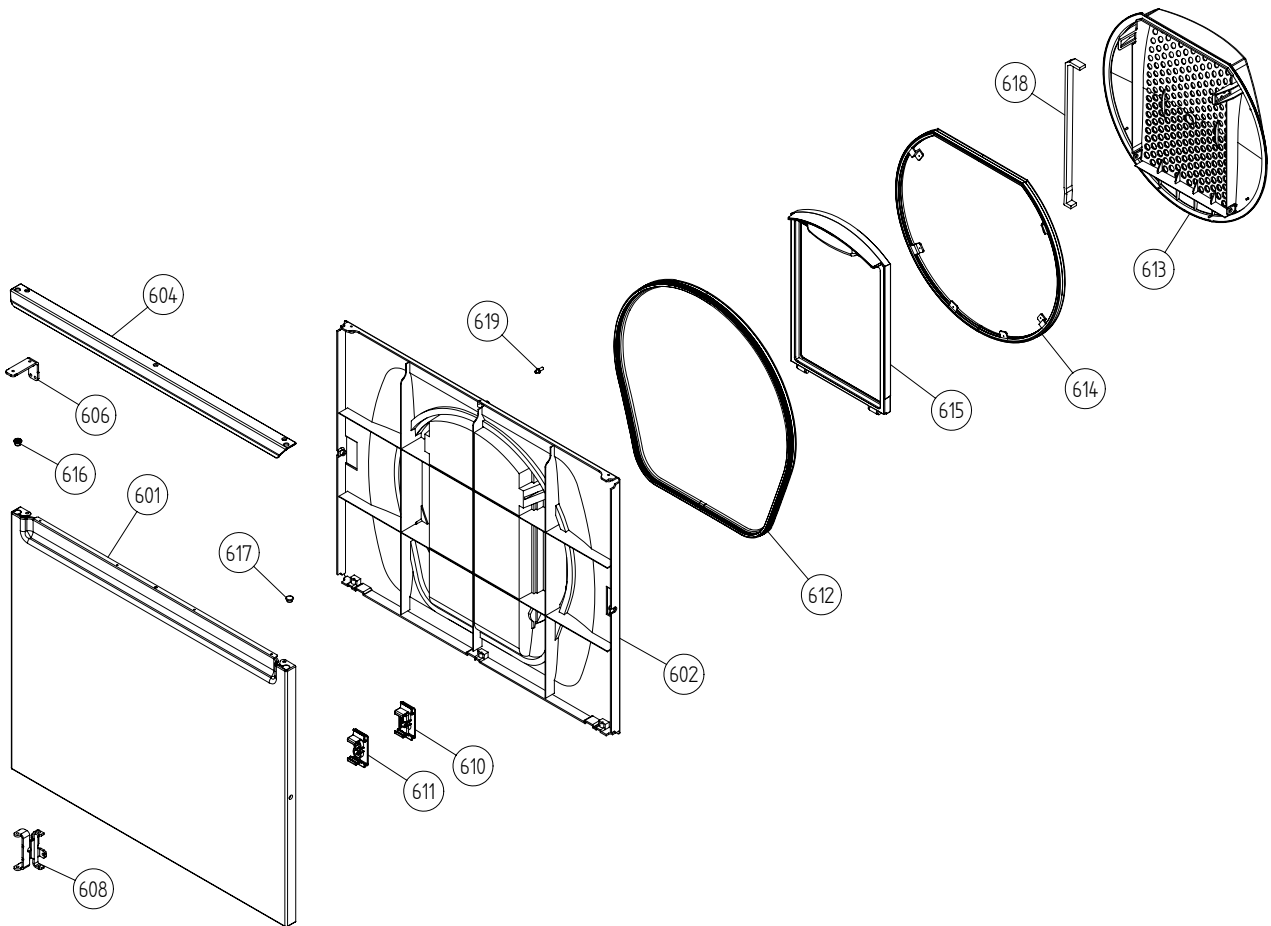
Pos	Spare part No.	Description	Qty	Comment
401	8076489-81-UL	PANEL W.HANDLE T711 ASKO US	1 Pc's	
401-a	8901591	Clip/Panel 600700s	4 Pcs	
403	8076557	Program info. label T711	1 Pcs	
407	8061846-81-UL	HANDLE PANEL MECH WMD20	0 Pcs	
411	8061711-81	PUSH BUTTON WMD20	5 Pcs	
413	8061892-81	KNOB TEMP/TIMER W.CLIPS WMD20	2 Pcs	
415	8061822	Decor Lens 06 Laundry	1 Pcs	
416	8060478	Ind. Lamp 600s WM	1 Pcs	
490	8076812	INSTRUCT. TD21 ENGLISH US/CA	1 Pcs	
490	8076813	INSTRUCTIONS TD21 FRENCH US/CA	1 Pcs	
490	8076814	INSTRUCT. TD21 SPANISH US/CA	1 Pcs	



Upper session

ASKO, T711 US - Titanium #10771116 (TD11A)

Pos	Spare part No.	Description	Qty	Comment
501	8061690	Front Beam 600/700 Series	1 Pcs	
501-a	8900338	Screw 20 Torx Self Tapping	2 Pcs	
501-b	8901413	Lock Washer laundry tops	2 Pcs	
501-c	8902087	Screw Plastic Housing 20 Torx	2 Pcs	
509	8061883	Buzzer T700	1 Pcs	
509-a	8901097	Screw Terminal	1 Pcs	
511	8061931	Rotary Switch T700/720	1 Pcs	
511-a	8901097	Screw Terminal	2 Pcs	
517	8061875	Switch ON/OFF WM20	4 Pcs	
521	8061877	Start Switch T700/T720	1 Pcs	
525	8061839	Timer T700	1 Pcs	
529	8086700-1	Basic Harness	1 Pcs	
539	8061660	Terminal Block 5Pole	1 Pcs	
539-a	8901097	Screw Terminal	1 Pcs	
548	8064179	Relay 10 terminals WM	2 Pcs	
551	8076324	Connection box T711	1 Pcs	
552	8061033	Subs to 8061455	1 Pcs	
553	8061891	Terminal Block DryerTD 20	1 Pcs	
554	8060462	Grommet	1 Pcs	
555	8060463	Lock Nut	1 Pcs	
556	8063756	Cover Terminal block T700s	1 Pcs	
556-a	8901097	Screw Terminal	1 Pcs	

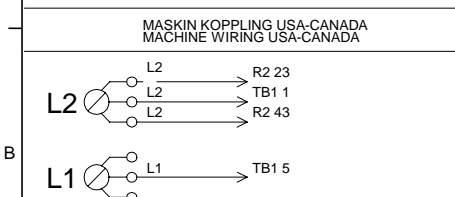
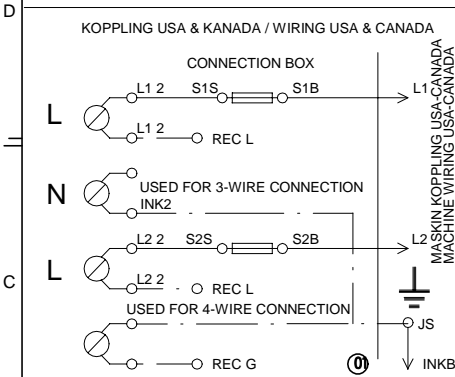
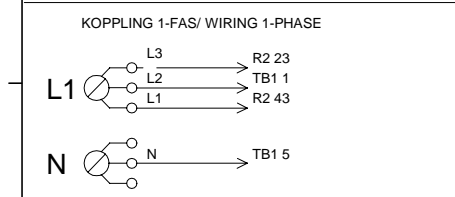
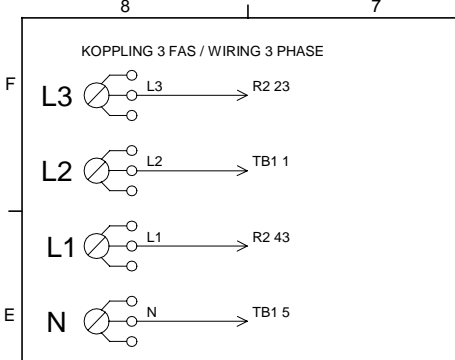
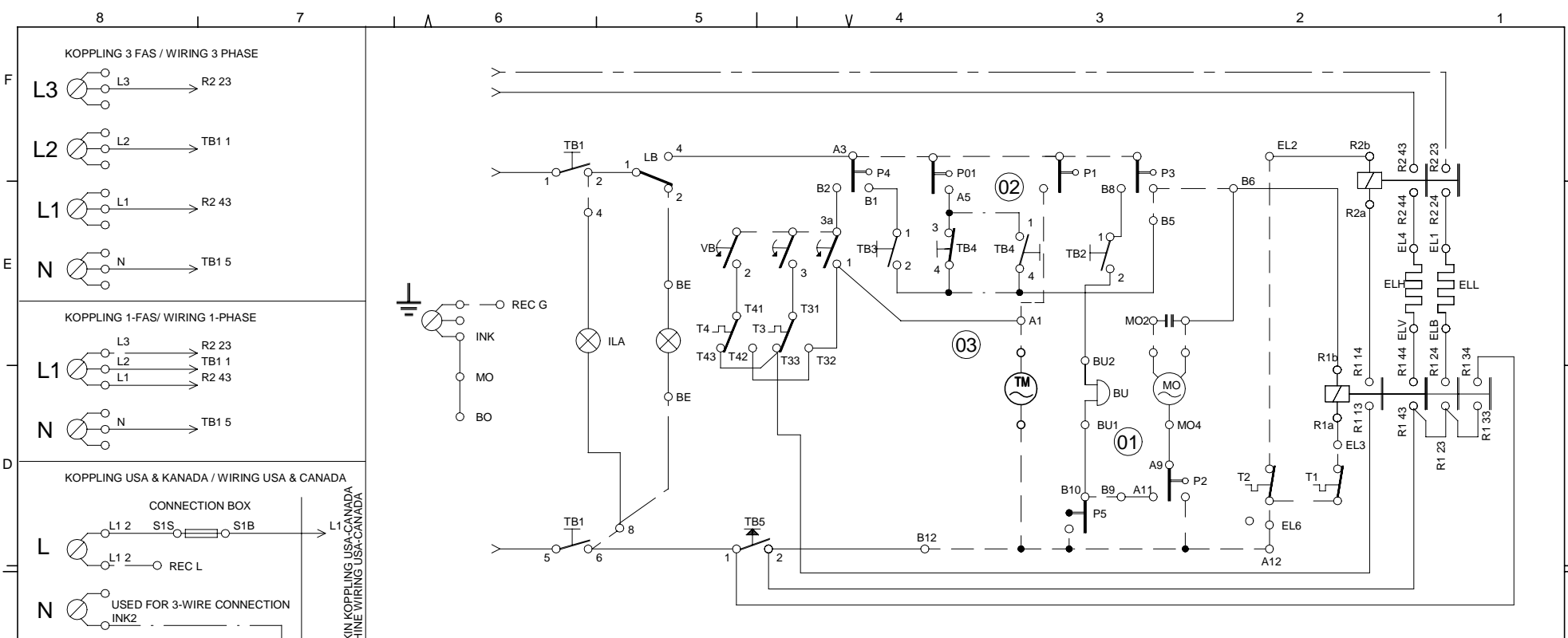


Outer door

ASKO, T711 US - Titanium #10771116 (TD11A)

Pos	Spare part No.	Description	Qty	Comment
601	8061733-81	Outer door WM50 Titanium	1 Pcs	
602	8061810	Inner Door Dryer T700 Series	1 Pcs	
602-a	8902068	Screw	5 Pcs	
604	8061813-81	Door Handle Metallic	1 Pcs	
606	8061803-81	HINGE UPPER COMPL GREYMET	1 Pcs	
606	8061805	SUB TO 80618050 hinge T711	1 Pcs	
606	8061805-81	Hinge titanium	1 Pcs	
608	8061806-81	HINGE LOWER GREY METALLIC	1 Pcs	
608	8061807-81	Lower Hinge Lower Compl.	1 Pcs	
610	8061878	Magnet Door T700s	1 Pcs	
611	8061886	Lock Holder T700 Series	0 Pcs	
612	8061815	Seal Dryer Door T700s	1 Pcs	
613	8065840	Filter Holder Compl.	1 Pcs	
614	8065274	Filter bracket T711	1 Pcs	
615	8061812	Double Lint filter 700s	1 Pcs	
616	8061865-81	Hinge Bearing 700 Series	2 Pcs	
617	8061953-81	door plug titanium	1 Pcs	
618	8801250	Kit sealing strip/filter hold	1 Pcs	
619	8064240	Pin Door Switch Dryer	1 Pcs	

S:\U\Wm2011_Tryckunderlag\Kopplingschema\8061835 TD11\8061835 TD11-02.dft , läpe , 8/30/01 9:49:32 AM



STEP NR.	START POSITION	5	10	15	20	25	30	35	40	45	50	55	60
01	COOLING 18 NEDKYLNING 18												
1	COOLING 9 NEDKYLNING 9												
2	MOTOR MOTOR												
3	MOTOR DIRECT MOTOR DIREKT												
4	BUZZER SUMMER												
5	BUZZER SUMMER												

This document must not be copied without our written permission, and the contents may not be used for any unauthorized purpose. Askö Cylinda AB

- BO: BOTTOM
- BOTTEN
- MO: MOTOR
- MOTOR
- R: RELÄ
- RELÄ
- EL1: VÄRMEELEMENT, LÅG EFFEKT
- HEATER, LOW POWER
- EL2: VÄRMEELEMENT, HÖG EFFEKT
- HEATER, HIGH POWER
- ELH: HEATER, HIGH POWER
- TM: TIMERMOTOR
- TIMERMOTOR
- DOOR SWITCH
- LUCKBRYTARE
- T1: THERMOSTAT (MAN O.H.)
- TERMOSTAT (MAN Ö.H.)
- T2: THERMOSTAT (AUT O.H.)
- TERMOSTAT (AUT Ö.H.)
- T3: THERMOSTAT (HIGH)
- TERMOSTAT (HÖG)
- T4: THERMOSTAT (LOW)
- TERMOSTAT (LÅG)
- BE: INTERNAL ILLUMINATION
- INNERBELYSNING
- TB: TRYCKBRYTARE
- PUSH BUTTON SWITCH
- IL: INDIKERINGSLAMPA
- INDICATION LAMP
- REC: OUTLET WASHING-MACHINE
- UTTAG TVÄTTMASKIN
- INKB: MAIN TERMINAL BLOCK
- INKOPPLINGSPLINT
- INTERNAL CONNECTION
- INTERN KOPPLING
- ALTERNATIVE WIRING
- ALTERNATIV KOPPLING

03	Changed number on TB 42 to TB 44	PS	01	41
02	Changed function TB 4	SS	01	33
01	LB2-LB4 and BU1-BU2 changed, JS added	PS	99	26
Rev ind	Revision	Appd	Year	Week

Pos.	Qty	Part No.	Name of item	Material
Material		Dens.Kg/dm3	Dimensions, Type, etc.	
Scale		Gen.tolerance	Description(ENG)	
Designed by		Gen.tol.Angle	CIRCUIT DIAGRAM TD11	
Released by		Iss by	Dept	Year
		UT	98	05
		Week	05	
		ASKO CYLINDA		
		80 618 35		
		Rev Ind	03	Replace
		8061835 rev:02		Project