

Tumble Dryer ASKO T720

DEAR ASKO CUSTOMER!

Welcome to the family of ASKO customers. We trust that you will have many useful years with your new tumble dryer. This tumble dryer incorporates many features, and to get the best benefit from all the different functions we recommend that you study the User and care guide before attempting to use the machine.

CONTENTS

READ FIRST

- 1 Before tumble drying the first time** 3
- 2 Safety instructions** 4
General. Installation. Safety. Children's safety. Interrupting a program. Transport/Winter storage. Packing material. Disposal.
- 3 Parts of the dryer** 6
- 4 Panel** 7

INSTALLATION

See instructions for installation.

TUMBLE DRYING

- 5 Before tumble drying** 8-10
Spin-dried? Recommended washing marking. Sorting. Programs. Options. Temperature. Drying time.
- 6 Tumble dry** 11-12
Putting in the washing. Select options. Select temperature. Select time . Start tumble drying. Tumble drying completed. After tumble drying. Cleaning the lint filter. Emptying the condensation water tank. Hints.
- 7 Consumption values** 14

CARE

- 8 Care and cleaning** 15-17
Cleaning the lint filter. Emptying the condensation water tank. Cleaning the outside of the machine. Cleaning the fan. Cleaning the condenser.

PROBLEMS?

- 9 Trouble shooting** 18-19
Machine will not start. Overheating protection. Tumble drying takes too long.

MISCELLANEOUS

- 10 Technical information** 20
Technical data. Standard tests.
- 11 Service and guarantee** 21
- 12 Quick guide** 22
- 13 Index** 23

1 BEFORE TUMBLE DRYING THE FIRST TIME

DO NOT TUMBLE DRY

Some fabrics are sensitive to tumble drying. Always check and follow the recommended washing marking on the items concerned, and study Chapter 5, Before tumble drying.

NOTE.

When you start the tumble dryer the first time, or after a long period when it has not been in use, you may hear a light rumbling noise. This is quite normal and the sound will disappear after a few drying operations.

2 SAFETY INSTRUCTIONS



GENERAL

- Study and save this Use and Care Guide for future reference.
- Electrical installation, if required, must be carried out by an authorized electrician.
- The machine may only be used for tumble drying in accordance with this Use and Care Guide.

INSTALLATION

See the accompanying installation instructions.

SAFETY

This tumble dryer may not be used for drying fabrics that have been dry-cleaned at home, or which can be suspected of containing residues of flammable fluids.

The tumble dryer is fitted with an overheating protection device, which switches the machine OFF in the event of excessive temperature.

A float valve switches the machine OFF if the condensation water hose becomes clogged, or if there is danger of water flowing over from the condensation water tank.

CHILDREN'S SAFETY

Do not allow children to play with the tumble dryer.

The tumble dryer is fitted with a magnetic catch, which allows the door to be opened from the inside. The door is equipped with a switch, which automatically stops the tumble dryer when the door is opened. The machine will not start automatically on closing the door (eg, if a child should close the door from the inside).

INTERRUPTING A PROGRAM

The easiest way to stop the tumble dryer is to open the door, causing the drum to stop automatically. If you wish to continue the drying process, just close the door and press the **Start** button and the machine will start where it was interrupted.

You can also stop the tumble dryer by pressing the **⏸** button.

TRANSPORT/WINTER STORAGE

If the machine is to be transported or stored during the winter, on unheated premises, ensure that the condensation water tank is drained.

PACKING MATERIAL

Sort the packing material for recycling according to recommendations by the local authorities.

DISPOSAL

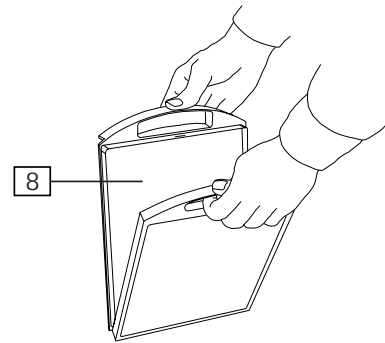
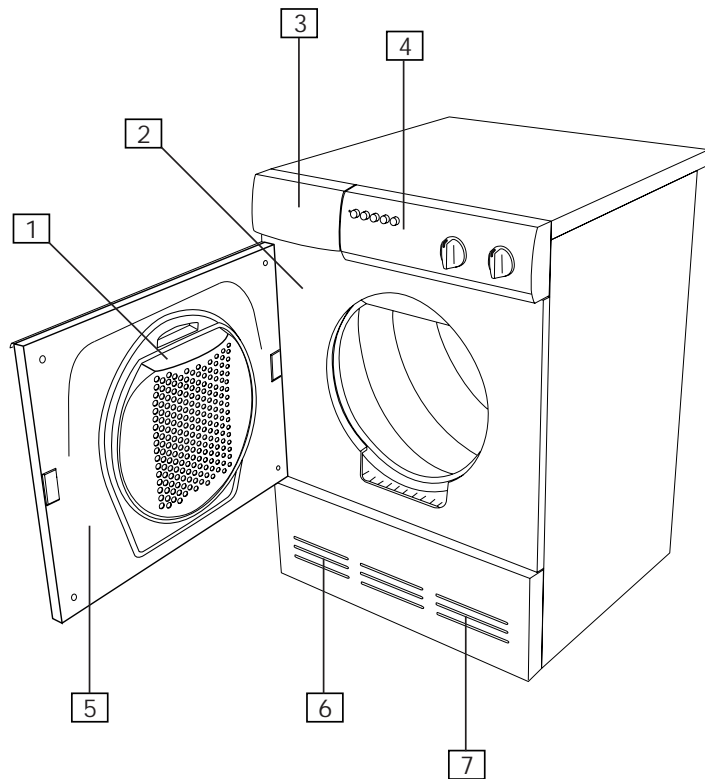
When the tumble dryer is no longer useful and is to be scrapped it should immediately be made unusable.

Get in touch with the refuse collection service or your local authorities for advice on how to scrap the tumble dryer in a proper manner for recycling.

The tumble dryer is made and marked to facilitate recycling.

DELIBERATELY WHITE PAGE

3 PARTS OF THE TUMBLE DRYER



1. FLUFF-FILTER HOLDER

2. DATA PLATE

3. CONDENSATION WATER TANK

4. PANEL

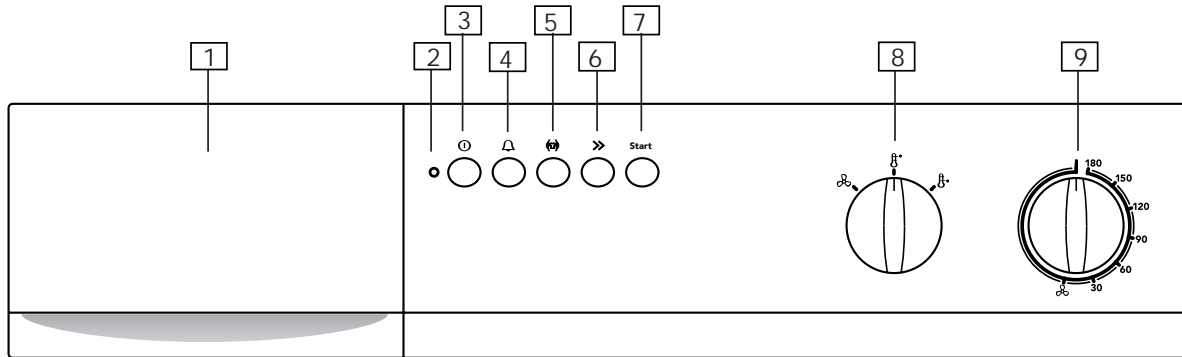
5. OUTER DOOR

6. FAN (BEHIND THE FRONT PANEL)

7. CONDENSER (BEHIND THE LOWER COVER)

8. LINT FILTER

4 PANEL



1. CONDENSATION WATER TANK

2. INDICATION LAMP ON/OFF

3. MAIN SWITCH

4. BUZZER

5. ANTI-CREASE PROGRAM

6. QUICK COOLING

7. START BUTTON

8. TEMPERATURE/AIRING KNOB

9. PROGRAM TIME KNOB

5 BEFORE TUMBLE DRYING

Before you start tumble drying, here is some advice that can be useful.

SPIN-DRIED?

Items that are to be tumble dried should first be spin-dried, preferably at 800 revs per minute or more so as to save both time and energy.

RECOMMENDED WASHING MARKING

 **Material suitable for tumble drying**

The symbol above indicates that the material can be tumble dried. Cotton fabrics, towelling and synthetic fibres are best suited to tumble drying. Clothes and fabrics become softer and fluffier when tumble dried than when dried on a line.

NOTE.

Wear and tear of fabrics in a tumble dryer is minimal. The lint caught in the lint filter consists of dust and fibre residue that has been formed when the fabrics were in use.

 **Material which should not be tumble dried**

This symbol indicates that the material will not withstand tumble drying.

Certain materials will melt or become dangerously flammable if heated, while others will lose their shape or shrink.

Do not tumble dry...

- Materials that are marked “Do not dry close to heat”.
- Items that have been dry-cleaned at home.
- Foam plastic.
- Glass-fibre materials.
- Woollen items, because of the risk of felting.

SORTING FABRICS

The most even results are obtained if all articles are of the same material.

Close zip-fasteners, button up garments, tie belts, and sort the fabrics and adapt the load and the temperature as indicated in the table below.

PROGRAM

The length of the program that you should choose depends on what you wish to do with the fabrics after tumble drying. Dry different times for different materials to find the right combination. See also Chapter 7, Consumption values, for recommended program times.

NOTE.

Knitted fabrics in particular are liable to shrink. Choose shorter program time for these materials. Always stretch garments out directly after drying.

FABRICS		LOAD	TEMPERATURE
White, coloured and synthetic washing	Cotton and linen	1/1 (5.0 kg)	Normal
	Polyester/cotton	1/2 (2.5 kg)	Normal
Delicate and mild washing	Acrylic, rayon, acetate, etc.	1/2 (2.5 kg)	Low

Sort a suitable amount and type of fabric.

Timed program

When using a timed program with mixed washing it may happen that some of the items will not be sufficiently dried. Such items can suitably be dried by running them in the timed program for a further 10 minutes or so.

NOTE.

When using the timed program it is possible to over-dry fabrics if you set too long a time. This can cause fabrics to shrink or crease and feel rough. Synthetic materials can also become charged with static electricity. Set a shorter time if you tumble dry at Temperature Normal.

Air fluff program

Use the Air fluff program just to shake dust out of garments, air them or soften them up.

OPTIONS

>> Quick cooling

You can choose quicker cooling if you wish. Normal cooling lasts 18 minutes and Quick cooling lasts 9 minutes. This option cannot be selected in combination with the Anti-crease program, see below.

Buzzer

The machine offers you the possibility of hearing when the drying program ends. Press the Buzzer button to give a three second acoustic signal when the program is completed.

Anti-crease program

Using the Anti-crease program you can prevent garments from lying still and becoming unnecessarily creased at the end of tumble drying.

This is a helpful option if you cannot take out garments promptly at the end of the tumbling phase. This option cannot be selected in combination with Quick cooling.

The drum will continue to rotate intermittently at the end of the drying program, ie, three seconds every minute for one hour.

If you have pressed the Buzzer button, a buzzer will sound each time the drum rotates as a reminder that the drying program has ended.

TEMPERATURE

You can choose temperature Normal (☉) or Low (☉).

DRYING TIME


Drying time depends on a number of factors, such as the amount of washing, how damp it is, the type of fabrics, rated power of the machine and temperature and humidity of the input air. It also depends, naturally, on how dry you want the washing to be when you take it out of the tumble dryer.

DELIBERATELY WHITE PAGE

6 TUMBLE DRY

Step by step instructions to help you achieve the best drying results.

1 - PUTTING THE WASHING IN

Turn on the main switch first, , then open the door and put the washing in. Close the door.

2 - SELECT OPTIONS

By setting the Temperature/Airing knob and pressing suitable option buttons you can choose a program to suit just your washing.

Options

>> Quick cooling

You have the possibility of selecting Quick cooling. Normal cooling lasts 18 minutes. Press the Quick cooling button and cooling will last 9 minutes. This option cannot be selected in combination with the Anti-crease program, see below.

Buzzer

If you press the Buzzer button there will be a three second acoustic signal when the program is completed.

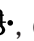

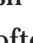
Anti-crease program

This option will make the drum continue to rotate three seconds every minute at the end of the drying program. This option cannot be selected in combination with Quick cooling. The program prevents garments from lying still and becoming creased. This is a helpful option if you cannot take out garments promptly at the end of the tumbling phase.

If you have pressed the Buzzer button, a buz-

zer will sound each time the drum rotates in this phase, ie, as a reminder that the drying program has ended.

3 - SELECT TEMPERATURE

With the Temperature/Airing knob you can choose temperature Normal, , or Low, , or Air fluff program only, .

Use the airing program if you only wish to shake dust out of garments, air them or soften them up.

4 - SELECT TIME

Set the desired time for tumble drying or the Air fluff program with the program time knob. The program length that you should choose depends on what you wish to do with the fabrics after tumble drying. Dry different times for different materials to find the right combination. See also Chapter 7, Consumption values, for the recommended program times.

In Chapter 12, Quick guide, there is a table where you can fill in different drying times that you have found suitable for different fabrics.

NOTE.

When using the timed program it is possible to over-dry fabrics if you set too long a time. This can cause fabrics to shrink or crease and feel rough. Synthetic materials can also become charged with static electricity. Find a time that suits you by choosing a shorter time to begin with. Also set a shorter time if you tumble dry at Temperature Normal.





5 - START TUMBLE DRYING

Close the door and press the **Start** button.

Stopping to put in more washing

Open the door and the drum will stop automatically. To restart, close the door and press the **Start** button.

6 - TUMBLE DRYING COMPLETED

Open the door and take out the washing.

7 - AFTER TUMBLE DRYING

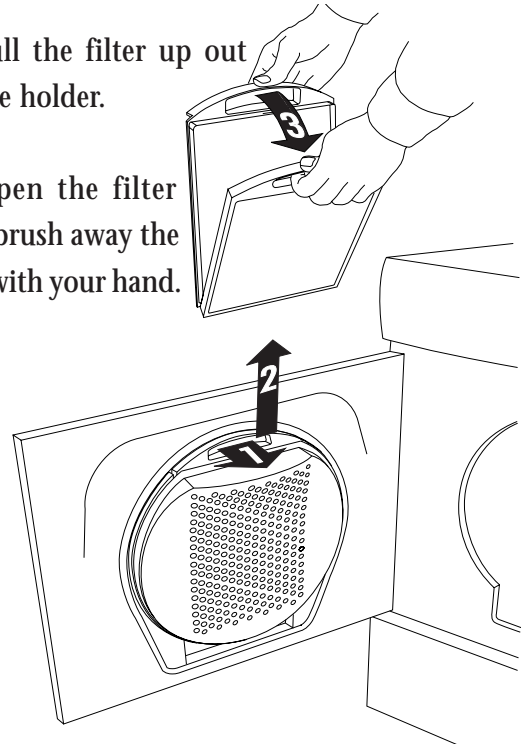
- Turn OFF the main power switch, ①.
 - Clean the lint filter after each tumble drying.
- If the lint filter becomes clogged the overheat protection device may trigger. The filter must then be cleaned and the device must be reset to enable the machine to be started, see Chapter 9, Trouble shooting.
- Empty the condensation water tank after each tumble drying.

CLEANING THE LINT FILTER

1. Grasp the filter handle and pull towards you.

2. Pull the filter up out of the holder.

3. Open the filter and brush away the lint with your hand.

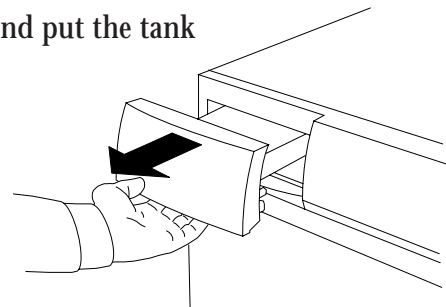


4. Fold the filter together and put it back in the filter holder.

EMPTYING THE CONDENSATION WATER TANK

Empty the condensation water tank after each tumble drying.

Pull out the condensation water tank, empty the water and put the tank back.



If the tank becomes too full the program will be interrupted. Empty the tank and press the **Start** button and the program will continue

from where it was interrupted, see also Chapter 9, Trouble shooting.

NOTE

Do not pull out the condensation water tank while the tumble dryer is running.

HINT



The condensation water is soft, and is therefore suitable for use in a steam iron. Strain the water through a coffee paper filter.

If you want the water to be emptied automatically, see the Installation instructions.

7 CONSUMPTION VALUES

The following conditions apply for the consumption values indicated below:

Temperature of intake air: 23°C

Humidity of intake air: 60 %

Drying temperature: Normal (Ⓕ), Low (Ⓕ)

Element power: 1900W, 240 V.

Cotton fabrics spin-dried, prior to tumble drying, at 800 and 1600 revs per minute (low spin) in ASKO washing machine.

Other fabrics (non-iron and acrylic) spin-dried, prior to tumble drying, at 800 revs per minute (short spin) in ASKO washing machine.

MATERIAL	LOAD	POWERCONSUMPTION	RECOMMENDED PROGRAM
		(approx. kWh)	TIME (approx. minutes)
		800 rpm - 1600 rpm	800 rpm - 1600 rpm
Cotton, linen, Ⓕ	1/1 (5.0 kg)	3.1 - 2.4	84 - 66
Non-iron, polyester/ cotton, Ⓕ	1/2 (2.5 kg)	1.2 ---	30 ---
Acrylic, rayon, acetate, Ⓕ	1/2 (2.5 kg)	1.7 ---	114 ---

8 CARE - CLEANING

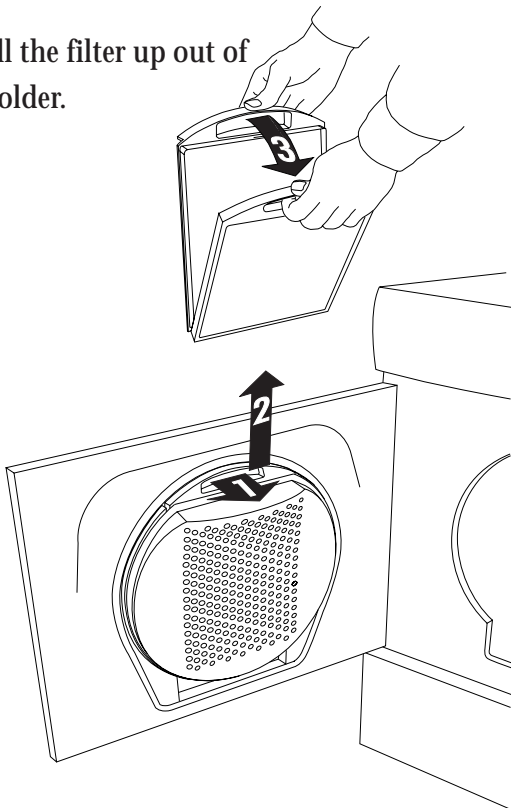
CLEANING THE LINT FILTER

Clean the lint filter after each tumble drying operation.

If your water is very hard a deposit of lime may be formed on the filter. Check when cleaning lint from the filter if there is any sign of lime, if so wash the lint filter by hand to remove any deposits.

1. Grasp the filter handle and pull towards you.

2. Pull the filter up out of the holder.



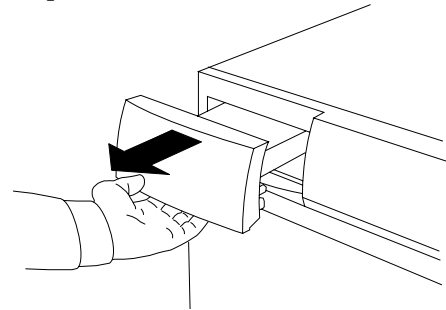
3. Open the filter and brush away the lint with your hand. Rinse the filter to remove any deposit of lime.

4. Fold the filter together and put it back in the filter holder.

EMPTYING THE CONDENSATION WATER TANK

Empty the condensation water tank after each tumble drying.

Pull out the condensation water tank, empty the water and put the tank back.



If the tank becomes too full the program will be interrupted. Empty the tank and press the **Start** button and the program will continue from where it was interrupted, see also Chapter 9, Trouble shooting.

NOTE.

Do not pull out the condensation water tank while the tumble dryer is running.

CLEANING THE OUTSIDE OF THE MACHINE

Use a mild detergent to clean the panel and the outside of the machine. Do not use any solvents, they can damage the machine. Do not spray the machine with water.

NOTE.

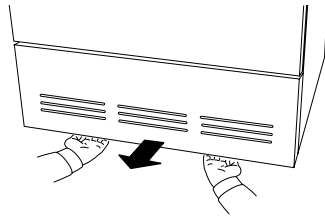
Do not allow dust to accumulate round the machine. Keep clean and cool around the tumble dryer. Dust, heat and moisture prolong the drying time.



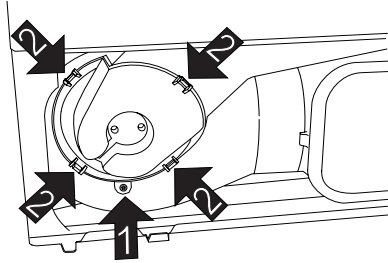
CLEANING THE FAN

The fan should be cleaned at least once a year. If you have any household pets the fan must be cleaned more often.

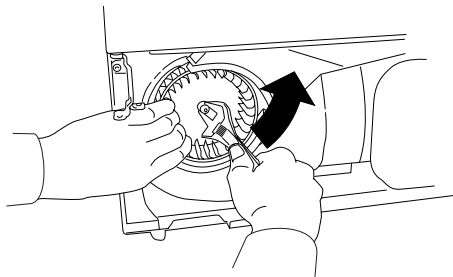
1. Turn OFF the main power switch.
2. Remove the lower cover.



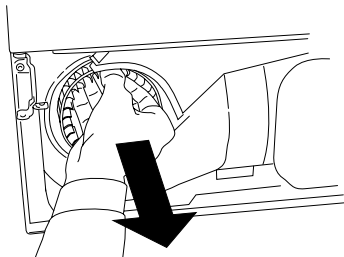
3. Screw out the safety screw (1), fold out the four lugs (2) and take off the fan cover.



4. Unscrew the nut while holding the fan.

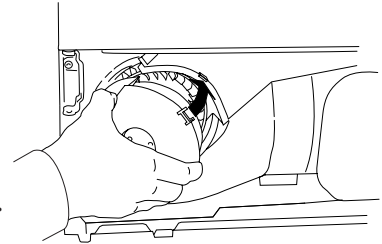


5. Take out the fan and clean it with a brush and water.

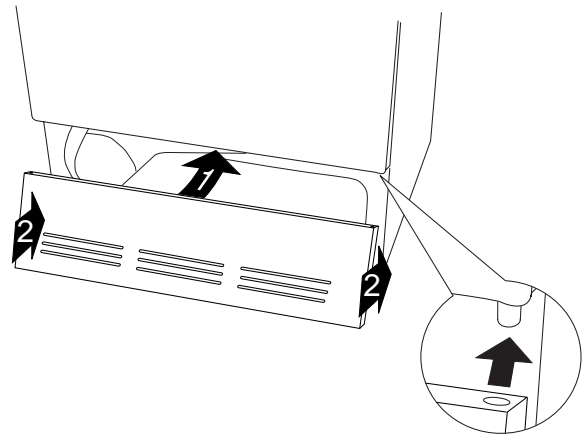


6. Put the fan back into place and screw on the nut.

7. Put the fan cover back into place, ensuring that the lugs hold the cover in position, and screw the safety screw back in.



8. Fit the lower cover back in place.

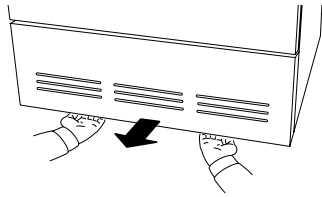


CLEANING THE CONDENSER

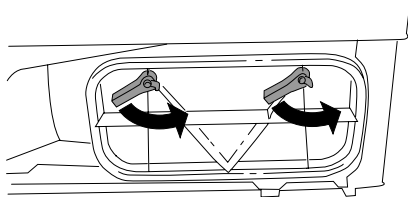
The condenser should be cleaned at least three times a year. If you have any household pets the condenser must be cleaned more often.

1. Turn OFF the main power switch.

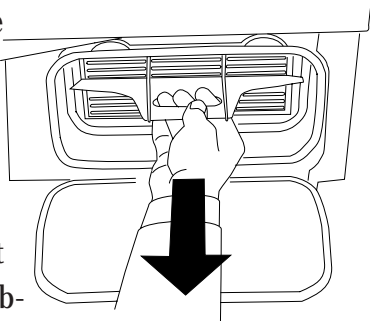
2. Remove the lower cover.



3. Turn the two levers anticlockwise to open the condenser cover.



4. Take the condenser out and rinse the condenser fins clean, eg, using a hand-held shower. Do not poke anything between the fins, you might damage the condenser. Do not use any sharp object when cleaning the fins.

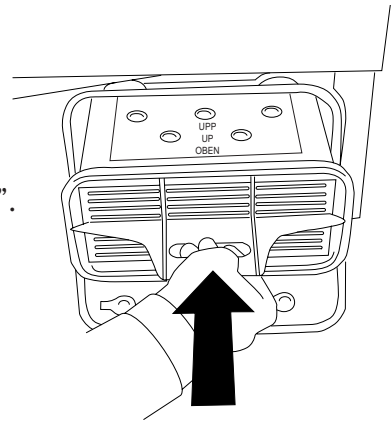


NOTE.

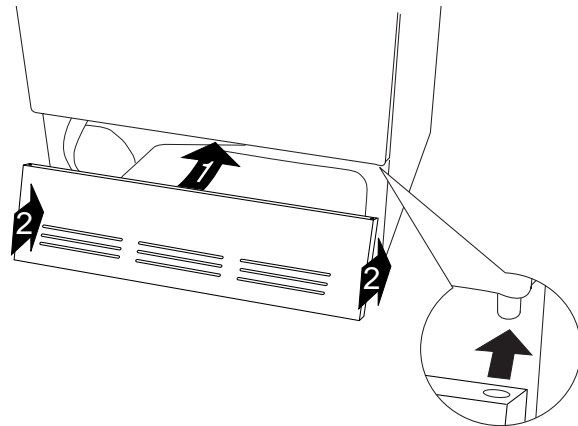
Do not attempt to clean the condenser in a dishwasher.

5. Refit the condenser, taking care to fit it the right way up.

The top of the condenser is marked “upp”, “up” and “oben”.



6. Fit the lower cover back in place.



9 TROUBLE SHOOTING

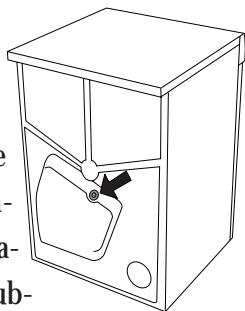
THE MACHINE WILL NOT START

Check that:

- The door is properly closed.
- The main switch is pressed in.
- You have correctly set the required time in the timed program.
- The condensation water tank is emptied.
- The electric plug, if any, is plugged into its socket.
- All fuses are intact. Switch two fuses over to check. It is not always possible to see directly if a fuse has blown.
- The overheating device has not triggered, see below.

OVERHEATING PROTECTION

The overheating protection device switches OFF the tumble dryer if the temperature becomes too high, eg, because the lint filter is clogged. If this happens, clean the filter, empty the condensation water tank and clean the condenser, see Chapter 8, Care and cleaning. Then reset the overheating device by pressing the rubber diaphragm on the back of the machine.



TUMBLE DRYING TAKES TOO LONG

Empty the water container and check that the lint filter and the condenser are not clogged, see Chapter 8, Care and Cleaning. Excessive drying times can also be caused by the machine being installed in a very confined space and by the air in the room (which cools the machine) becoming too warm. In this situation make sure that ventilation is improved, eg, by opening doors and/or windows.

DELIBERATELY WHITE PAGE

10 TECHNICAL INFORMATION

TECHNICAL DATA

Height:	850 mm.
Width:	595 mm.
Depth:	585 mm.
Weight:	47 kg.
Drum volume:	111 litre.
Drying capacity:	5.0 kg.
Speed:	52 r/min.
Rated power:	See data plate.
Rated power, element:	See data plate.
Material: Drum	Stainless steel.
Material: Outer cover	Powder-lacquered and hot-galvanized steel sheet or stainless steel.
Positioning:	Washing tower, free-standing or built-in
Drain:	2.0 m rubber hose.

STANDARD TESTS

Australia:	AS/NZS 2442.1.
Drying performance and energy declaration:	Program time 120 minutes, 5.0 kg cotton, temperature Normal.
Procedure for acoustic measurement:	IEC 60 704-2-6

11 SERVICE AND GUARANTEE

SERVICE

Before calling for service, check to see whether the fault is due to something that you can put right yourself. See chapter 13, Trouble shooting.

If you do require service, telephone your local ASKO retailer or the ASKO representative for your country. See guarantee card for address and telephone number.

GUARANTEE

For guarantee details, see the guarantee card.

12 QUICK GUIDE

1. Sort the washing.
2. Switch the main switch, **Ⓢ**, ON and open the door.
3. Put the washing in and close the door.
4. Select settings and time.
5. Close the door and press the **Start** button.
6. Drying program completed.
Open the door and take out the washing.
7. When tumble drying is finished.
Switch the main switch, **Ⓢ**, OFF.

WASHING →	Cotton, linen, etc		Non-iron Polyester/cotton		Acrylic, rayon, acetate		Air fluff program	
	Max. load (kg)	5.0	2.5	2.5	5.0			
SET THE KNOB								
Time (min)	0-180	0-180	0-180	0-180				
Temperature/Airing	Ⓕ	Ⓕ	Ⓕ	Ⓕ			Ⓕ	

DRYING TIMES FOR DIFFERENT FABRICS AND SETTINGS

Filling in the table below will be of help in choosing the length of a timed program the next time you use the tumble dryer.

Type of fabrics	Options	Temperature (Normal/Low)	Program time (minutes)

13 INDEX

	Chapter		Chapter		Chapter
A		G		R	
Acetate	5,6,12	Glass-fibre material	5	Rayon	5,6,12
Acrylate	5,6,12	Guarantee	11	Recommended washing marking	5
After tumble drying	6,8			Restarting	6
Air fluff program	5,6,12	I		S	
Altering settings	6	Installation, see Installation instructions		Safety	2
Anti-crease program	5,6	Interrupting a program	2	Service	11
B				Sorting fabrics	5
Before tumble drying the first time	1	J		Spin-dried	5
Before tumble drying	5	Jeans	5	Standard tests	10
Belts	5	K		Start	6,12
Buzzer	5,6	Knitted fabrics	5	Synthetic fabrics	5,6,12
C		L		T	
Care	8	Linen	5,6,12	Technical data	10
Children's safety	2	Lint filter	6,8	Temperature	5,6,12
Cleaning	8	Low temperature	5,6,12	Timed program	5,6,12
Coloured washing	5	M		Trouble shooting	9
Condensation water tank	6,8	Main power switch	4	Tumble dry	6,12
Condenser	8	Mangling	5	Z	
Consumption values	7	N		Zip fasteners	5
Cooling	5,6	Normal temperature	5,6,12		
Cotton	5,6,12	O			
D		Options	5,6		
Delicate washing	5	Overheating protection	9		
Disposal	2	P			
Do not tumble dry	5	Packing material	2		
Dry cleaning	2,5	Panel	4		
Drying time	5,7	Parts of the tumble dryer	3		
E		Polyester	5,6,12		
Emergency stop, see Interrupting a program		Programs	5,6,12		
F					
Fabrics wear	5				
Fan	8				
Felting	5				
Flammable material	5				
Foamed plastic	5				

