



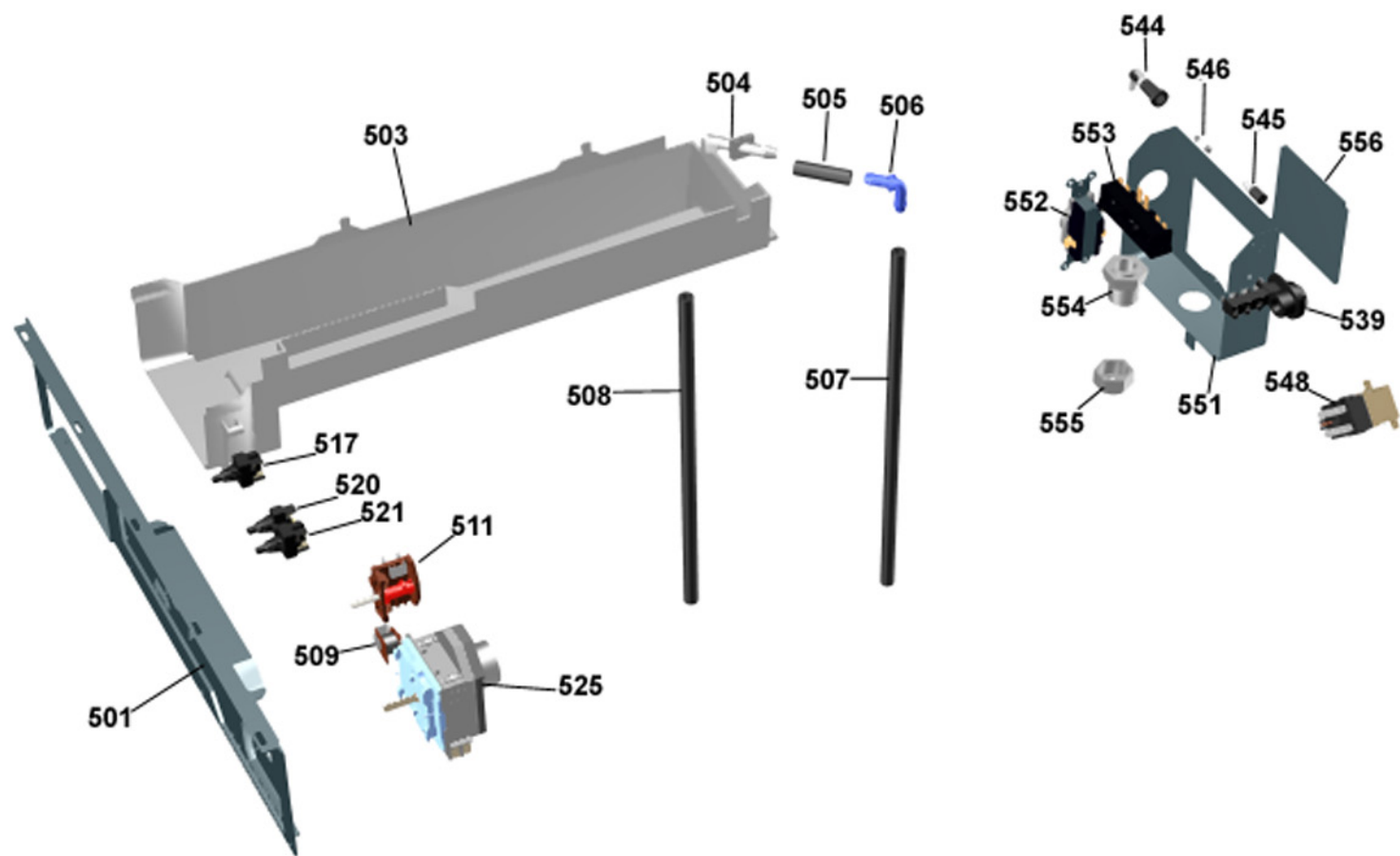
Spare Parts Catalogue

Dryers \ 700 Series
Type: TD22US
Model: T720 US White

Prod. No: 10772010
November 16th 2004

AM Appliances Group

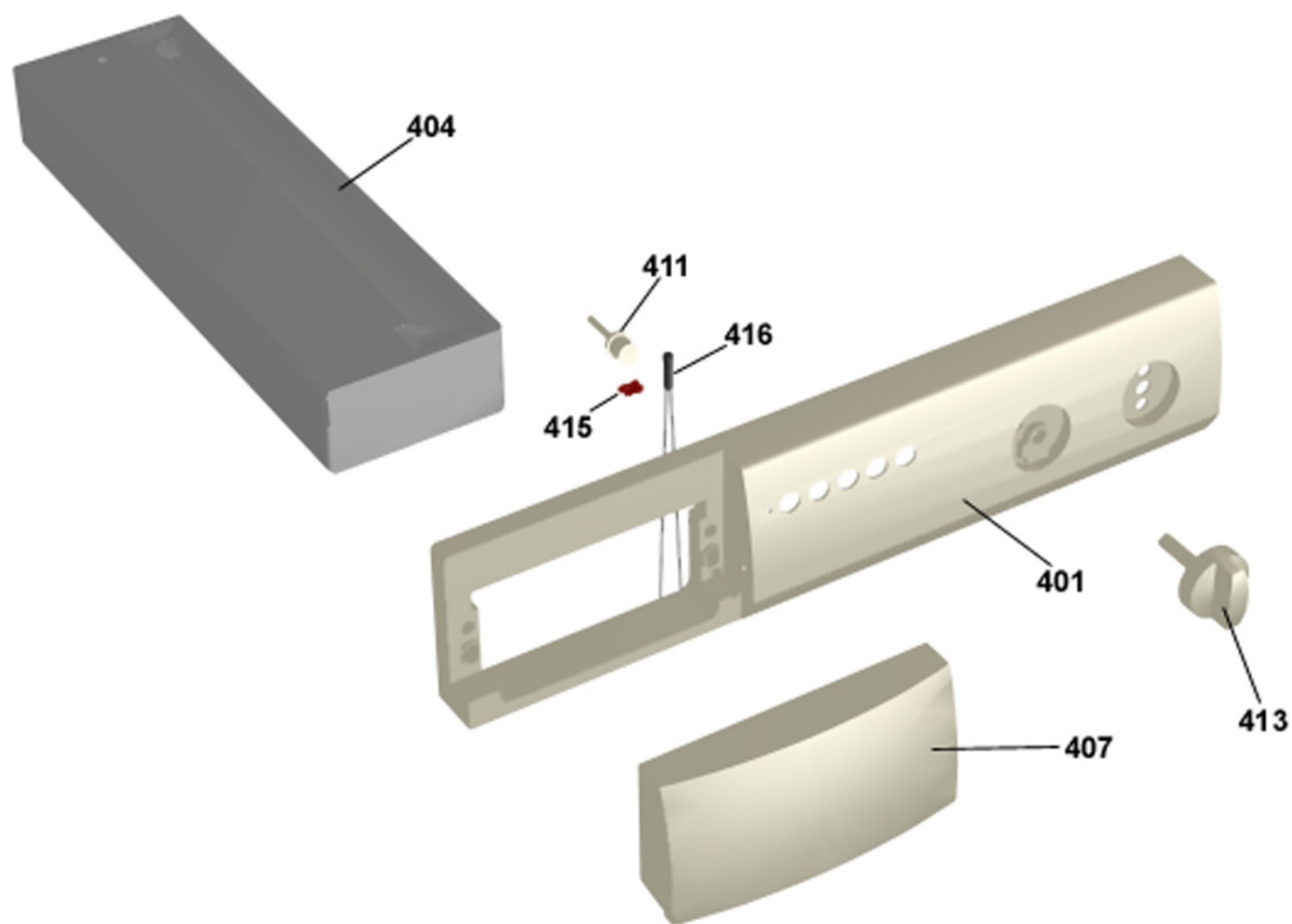
P.O. Box 851805 • Richardson • TX 75085-1805
789 N. Grove Road • Suite 103 • Richardson • TX 75081



Upper session

ASKO, T720 US - White (TD22US)

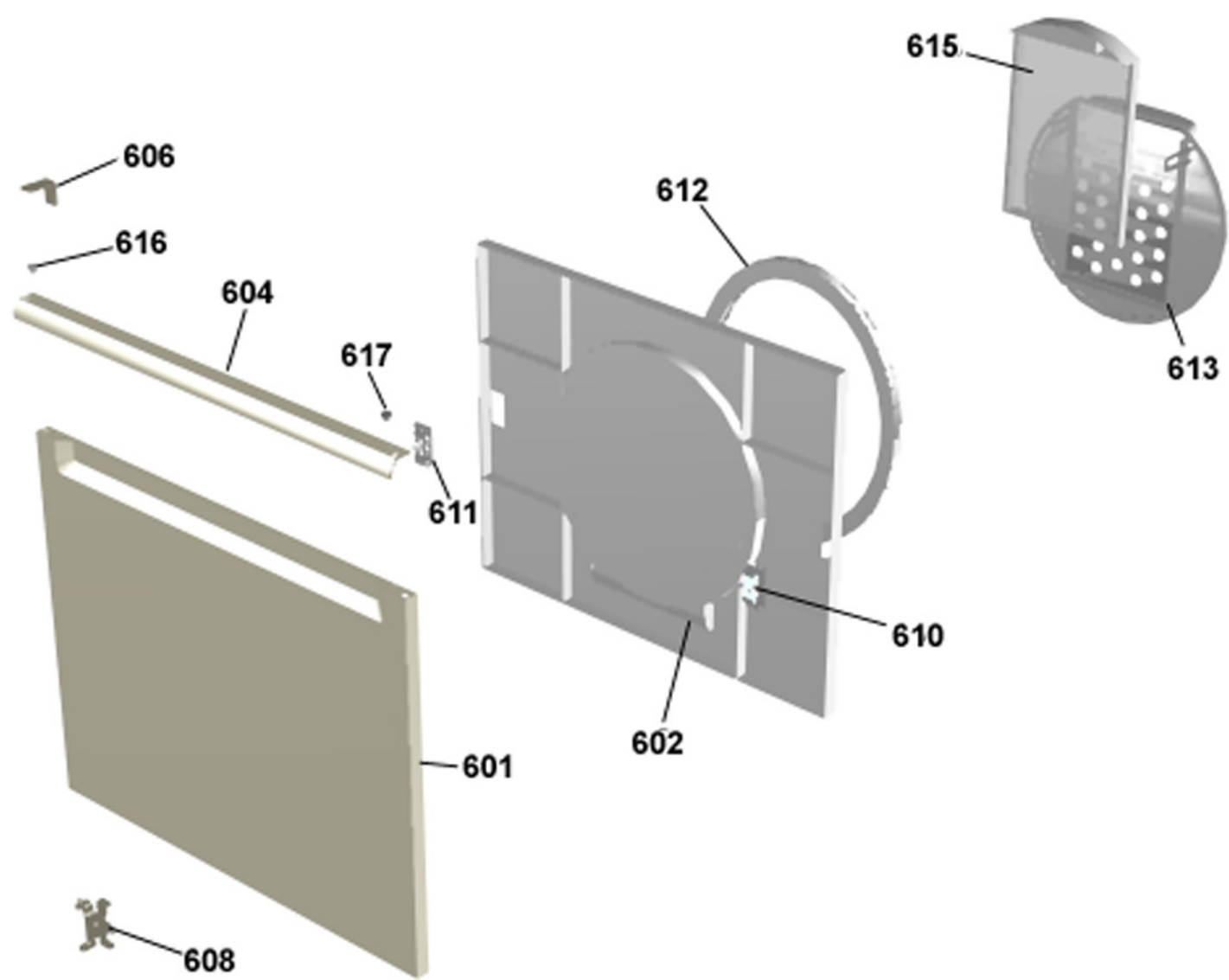
Pos	Spare part No.	Description	Qty	Comment
501	8061690	BEAM FRONT WMD20	1 Pcs	
501-a	8900338	SCREW RTK ST 42X95 FZB T20	2 Pcs	
501-b	8901413	LOCK WASHER AZ 43 GALV	2 Pcs	
501-c	8902087	SCREW PTK 40X14 WN1452 FZB T20	2 Pcs	
503	8061880	HOUSING WATERTANK DRYER TD20	1 Pcs	
503-a	8902087	SCREW PTK 40X14 WN1452 FZB T20	2 Pcs	
504	8053077	NOZZLE	1 Pcs	
505	8057431	RUBBER HOSE 9X13X360	1 Pcs	
506	8054072	NIPPLE WATER HOSE	1 Pcs	
507	8054732	RUBBER HOSE 9X13X900	1 Pcs	
508	8053881	RUBBER HOSE 10X15X730	1 Pcs	
509	8061883	BUZZER TD20 UL4	1 Pcs	
509-a	8901097	SCREW MRT-TT 4X12 FZB T20	1 Pcs	
511	8061931	ROTARY SWITCH TD11/22	1 Pcs	
511-a	8901097	SCREW MRT-TT 4X12 FZB T20	2 Pcs	
517	8061875	PUSHBUTTONSW 2-POLE CLOS	3 Pcs	
520	8057941	PUSHBUTTON SWITCH 1 OPENING	1 Pcs	
521	8061877	PUSHBUTTON SWITCH 2-POL	1 Pcs	
525	8061868	TIMER TD22	1 Pcs	
529	8087000-1	CABLE HARNESS TD22	1 Pcs	
539	8061660	TERMINAL BLOCK 5-POLE	1 Pcs	
539-a	8901097	SCREW MRT-TT 4X12 FZB T20	1 Pcs	
544	8065573	FUSE HOLDER GREY 15A US/CA	2 Pcs	
544-a	8058140	FUSE 15AT 63X32	2 Pcs	
544-b	8055725	FUSE HOLDER INSERT STI	2 Pcs	
544-c	8054613	FUSE HOLDER HTB38	2 Pcs	
548	8064179	CONTACTOR 4S 50/60HZ	1 Pcs	
551	8063931	EL.BOX US/CA COMPL.	1 Pcs	
551	8901097	SCREW MRT-TT 4X12 FZB T20	1 Pcs	
551-a	8065734	EL. BOX USA TD21	1 Pcs	
552	8061033	RECEPTACLE 2-POL 3-WIRE 20/250	1 Pcs	
553	8061891	TERMINAL BLOCK DRYER US	1 Pcs	
554	8060462	GROMMET PG21	1 Pcs	
555	8060463	LOCK NUT PG21	1 Pcs	
556	8063756	LID ELBOX USA	1 Pcs	
556-a	8901097	SCREW MRT-TT 4X12 FZB T20	1 Pcs	



Control panel

ASKO, T720 US - White (TD22US)

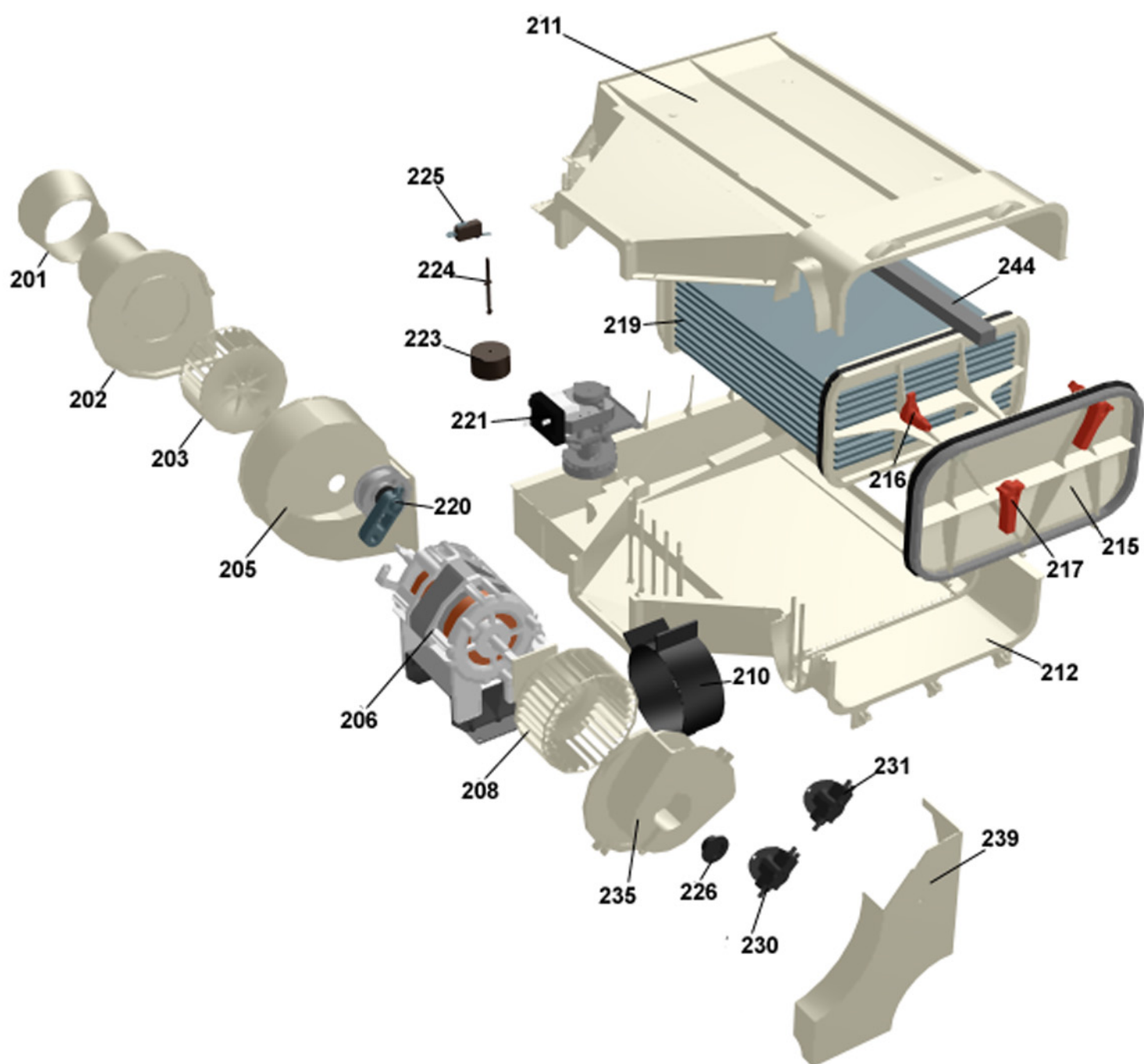
Pos	Spare part No.	Description	Qty	Comment
401	8063457-0-UL	PANEL WHANDLE T720 ASKO	1 Pcs	
401-a	8901591	BINDING CLIP SCO 5740	4 Pcs	
404	8061941	WATERTANK TD20 UL4	1 Pcs	
407	8061846-0-UL	HANDLE PANEL MECH WMD20	0 Pcs	
411	8061711-0	PUSH BUTTON WMD20	5 Pcs	
413	8061892-0	KNOB TEMP/TIMER WCLIPS WMD20	2 Pcs	
415	8061822	DECOR LENS	1 Pcs	
416	8060478	INDLAMP (UL-RECONICED) UL4	1 Pcs	
490	8063857	INSTR GENERAL TD20 US/CA	1 Pcs	



Outer door

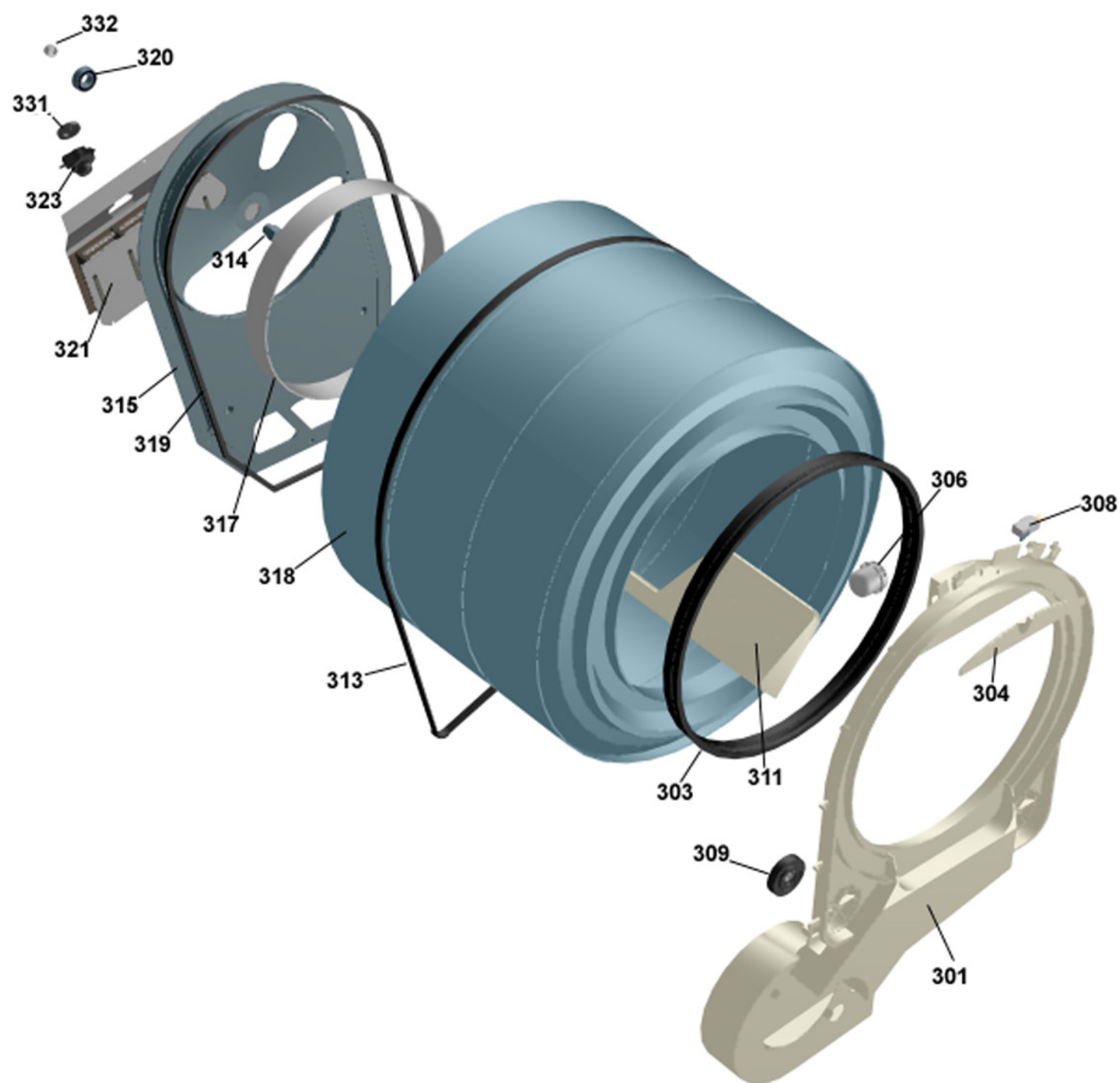
ASKO, T720 US - White (TD22US)

Pos	Spare part No.	Description	Qty	Comment
601	8061733-0	DOOR OUTER PART WHITE WMD20	1 Pcs	
602	8061810	DOOR INNER	1 Pcs	
602-a	8902068	SCREW PTK 40X14 WN1453 PF FZB	5 Pcs	
604	8061813-0	HANDLE DOOR WHITE TD20	1 Pcs	
606	8061803-0	HINGE UPPER COMPLETE WHITE	1 Pcs	
606	8061805-0	HINGE UPPER WHITE	1 Pcs	
606-a	8901097	SCREW MRT-TT 4X12 FZB T20	2 Pcs	
606-b	8901619	POP-RIVET AL/ST 4X10	1 Pcs	
608	8061807-0	HINGE LOWER COMPL WHITE	1 Pcs	
608-a	8900338	SCREW RTK ST 42X95 FZB T20	2 Pcs	
608-b	8901097	SCREW MRT-TT 4X12 FZB T20	1 Pcs	
610	8061878	MAGNET LOCK COMPL	1 Pcs	
611	8061886	HOLDER MAGNET LOCK TD20	0 Pcs	
612	8061815	DOOR SEAL OUTER	1 Pcs	
613	8061811	FILTER BRACKET Replby 8065840	1 Pcs	
615	8061812	DOUBLE FLUFF FILTER	1 Pcs	
616	8061865-0	HINGE BEARING WHITE TD20	2 Pcs	
617	8061953-0	PLUG DOOR WHITE TD20	1 Pcs	



Lower session**ASKO, T720 US - White (TD22US)**

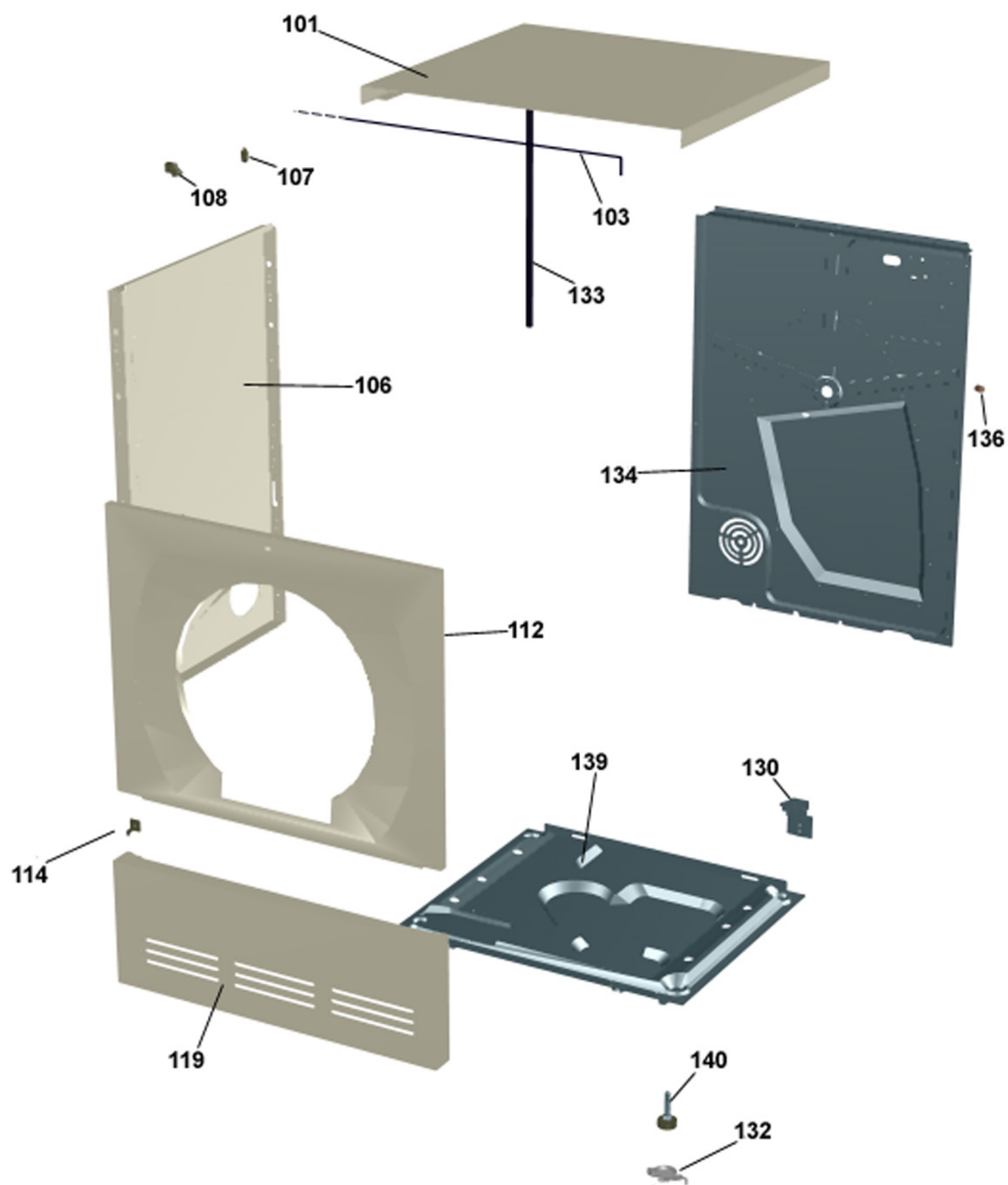
Pos	Spare part No.	Description	Qty	Comment
201	8061940	STUB AIRCANAL EXTERNAL AIR UL4	1 Pcs	
202	8052637	EXTAIRFANCASING INLETSIDE UL4	1 Pcs	
203	8061960	FAN IMPELLER DIA 108	1 Pcs	
205	8052636	EXTAIRFANCASING MOTOR SIDE UL4	1 Pcs	
206	8061895	MOTOR COMPL 60HZ TD20	1 Pcs	
206-a	8901969	SCREW MRT-TT 5x12 FZB T20	4 Pcs	
208	8055200	FAN IMPELLER INT	1 Pcs	
208-a	8901192	NUT LOCKING 6 BH8 GALV	1 Pcs	
210	8058671	AIR HOSE	1 Pcs	
211	8052574	CONDENSER HOUSEUPPER PARTUL4	1 Pcs	
211-a	8902087	SCREW PTK 40X14 WN1452 FZB T20	7 Pcs	
212	8052575	CONDENSER HOUSELOWER PARTUL4	1 Pcs	
212-a	8902087	SCREW PTK 40X14 WN1452 FZB T20	3 Pcs	
214	8052644	CONDENSER SEALDOOR	1 Pcs	
215	8052576	COVERReplby 8053112 UL1	1 Pcs	
216	8052606	LOCK HOOK	2 Pcs	
217	8052605	LOCK KNOB	2 Pcs	
217-a	8902099	SCREW PTK 50X14 WN1452 FZB T20	2 Pcs	
219	8063752	CONDENSER SET COMPLETE	1 Pcs	
220	8801058	TENSION ARM Replby 8801214	1 Pcs	
221	8801194	CONDWATERPUMP HANNING (R-DEL)	1 Pcs	
221-a	8902087	SCREW PTK 40X14 WN1452 FZB T20	3 Pcs	
223	8053056	FLOAT	1 Pcs	
224	8053098	FLOATPIN	1 Pcs	
225	8052643	MICROSWITCH V5H011BB4C	1 Pcs	
226	8061949	PLUG FAN HOUSE TD20	1 Pcs	
227	8059711	SPONGE RUBBER STRIP 6X9X550	1 Pcs	
228	33700183	TERMINAL ESPA	1 Pcs	
228-a	8901097	SCREW MRT-TT 4X12 FZB T20	1 Pcs	
228-b	8901413	LOCK WASHER AZ 43 GALV	1 Pcs	
230	8001444	THERMOSTAT 263 223 47/35C	1 Pcs	
230-a	8902042	SCREW PTK 35X10 WN1452 FZB T10	1 Pcs	
231	8065306	THERMOSTAT 70	1 Pcs	
231	8056029	THERMOSTAT 70/59	1 Pcs	
231-a	8902042	SCREW PTK 35X10 WN1452 FZB T10	1 Pcs	
235	8061899	FAN CASING LID TD20 UL4	1 Pcs	
235-a	8902042	SCREW PTK 35X10 WN1452 FZB T10	2 Pcs	
239	8061942	GUARD FAN CASING TD20	1 Pcs	
239-a	8902042	SCREW PTK 35X10 WN1452 FZB T10	1 Pcs	
242	8064184	SEALING COVER FAN HOUSE	1 Pcs	
244	8063905	SEALING STRIP CONDENSER SET	2 Pcs	
246	8058323	SHAFT SEAL DRYER	1 Pcs	



Cylinder and related parts

ASKO, T720 US - White (TD22US)

Pos	Spare part No.	Description	Qty	Comment
301	8801216	FRONT FRAME COMPL TD20/21	1 Pcs	
301-a	8902066	SCREW A2-PTK 35X14 WN1453 PF	4 Pcs	
303	8061821	FELT SEAL FRONT	1 Pcs	
304	8061932	LAMPHOUSING LID WHITE TD20	1 Pcs	
306	8061887	LAMP CHIMNEY ULTEM TD20 UL4	1 Pcs	
308	8053107	MICROSWITCH DOOR	1 Pcs	
309	8052622	SUPPORT ROLLER COMPLETE	1 Pcs	
311	8052589	PADDLETT	2 Pcs	
311-a	8902099	SCREW PTK 50X14 WN1452 FZB T20	5 Pcs	
313	8061961	DRIVE BELT Replby 8065710	1 Pcs	
314	8052632	BEARING BUSH	1 Pcs	
315	8061851	REAR PANEL INNER TD20	1 Pcs	
315-a	8900369	SCREW RTS 48X13 FZB T25	13 Pcs	
317	8064440	FELTSEALING REAR	1 Pcs	
318	8061800	CYLINDER COMPL TD20	1 Pcs	
319	8059712	SPONGE RUBBER STRIP 6X9X1650	1 Pcs	
320	8004439	BALL BEARING SKF 6202-2Z/C3Q66	1 Pcs	
321	8063808	HEATING ELEMENT 2500W UL4	1 Pcs	
321-a	8900369	SCREW RTS 48X13 FZB T25	2 Pcs	
323	8008487	THERMOSTAT 26237430 150C	1 Pcs	
323-a	8900369	SCREW RTS 48X13 FZB T25	1 Pcs	
331	8052650	DIAPHRAGM OVERHEATPROTECTOR	1 Pcs	
332	8064151	CAP OF BOLT	1 Pcs	

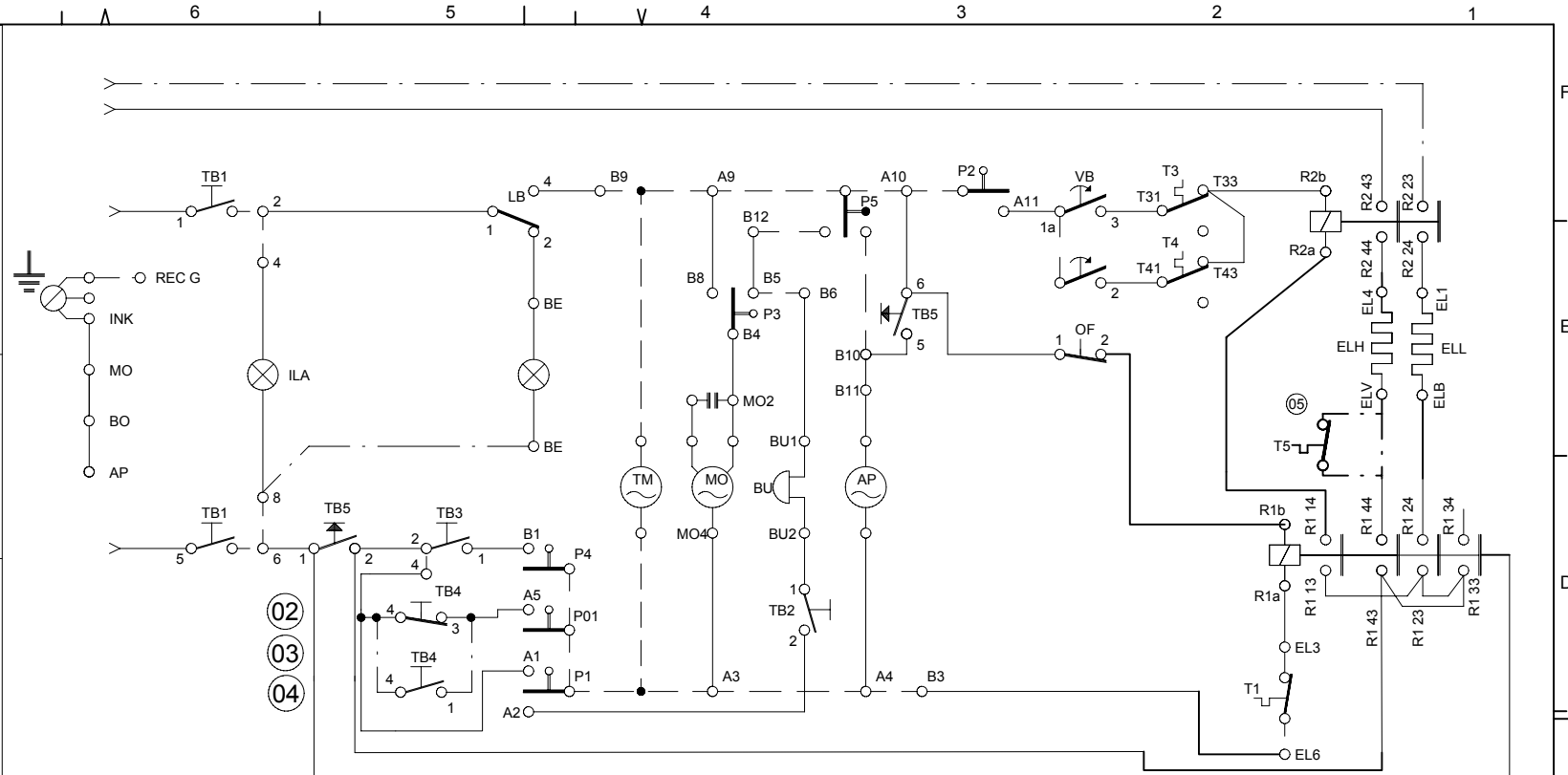
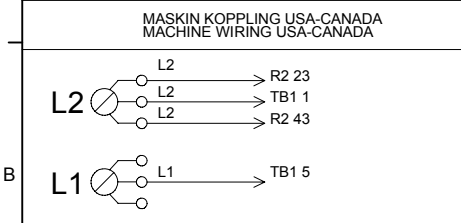
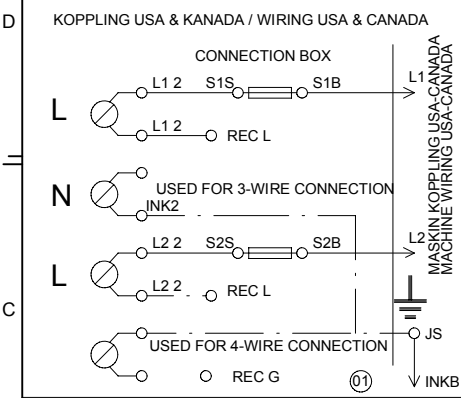
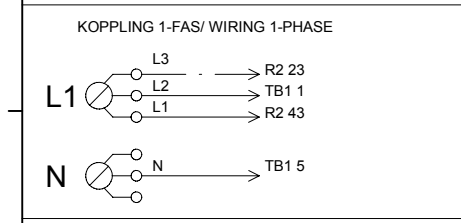
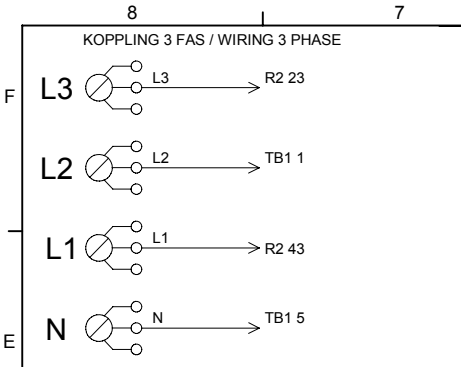


Outer casing

ASKO, T720 US - White (TD22US)

Pos	Spare part No.	Description	Qty	Comment
101	8061817-0	TOP COVER WHITE	1 Pcs	
101-a	8900338	SCREW RTK ST 42X95 FZB T20	3 Pcs	
101-b	8901413	LOCK WASHER AZ 43 GALV	2 Pcs	
103	8064062	STRIP TOP COVER WMD20 UL4	1 Pcs	
106	8801174-0	SIDE PLATE COMPL WM20	2 Pcs	
107	8061763	GUIDE FRONT PLATE/TOP COVER	2 Pcs	
108	8061916	CABLE HOLDER WMD20 UL4	3 Pcs	
112	8061847-0	FRONT PLATE TD20 WHITE	1 Pcs	
112-a	8900338	SCREW RTK ST 42X95 FZB T20	2 Pcs	
112-b	8901413	LOCK WASHER AZ 43 GALV	2 Pcs	
114	8064177	HOOK LOWER PANEL UL4	2 Pcs	
114-a	8900338	SCREW RTK ST 42X95 FZB T20	2 Pcs	
119	8801247-0	LOWER COVER COMPLWCLIPS TD20	1 Pcs	
130	8053980	TIP GUARD SURFACE CONDITIONED	2 Pcs	
132	8064114	CUP SELF ADHESIVEIN BAG(2pcs)	1 Pcs	
133	8054733	RUBBER HOSE 9X13X2000	1 Pcs	
134	8061829	REAR PANEL OUTER TD20	1 Pcs	
134-a	8900338	SCREW RTK ST 42X95 FZB T20	10 Pcs	
136	8061915	CABLE HOLDER TD20	1 Pcs	
139	8061618	BOTTOM WMD20	1 Pcs	
140	8059334	RUBBER FOOT D35xM10 INC NUT	4 Pcs	

S:\UW\Wmd20\1_TryckunderlagiKopplingschema 8061867 KTD22-05.dft - mast - 2002-04-22 10:08:40



STEP NR.	START POSITION	5	10	15	20	25	30	35	40	45	50	55	60
01	COOLING 18 NEDKYLNING 18												
1	BUZZER SUMMER												
2	COOLING 9 NEDLYNLING 9												
2	HEATER RELAY ELEMENT RELÄ												
3	MOTOR DIRECT MOTOR DIREKT												
4	ANTICREASE INTERVALLGÅNG												
5	BUZZER SUMMER												
5	DRAIN PUMP AVLOPPSPUMP												

This document must not be copied without our written permission, and the contents thereof must not be imparted to a third party without the prior written permission of Askö Cylinda AB. Contributions will be appreciated.

- BO: BOTTOM
- BOTTEN
- MO: MOTOR
- MOTOR
- R: RELAY
- RELA
- ELL: VÄRMEELEMENT, LAG EFFEKT
- HEATER, LOW POWER
- ELH: VÄRMEELEMENT, HÖG EFFEKT
- HEATER, HIGH POWER
- TM: TIMERMOTOR
- TIMERMOTOR
- LB: DOOR SWITCH
- LUCKBRYTARE
- AP: DRAIN PUMP
- AVLOPPSPUMP
- TB: TRYCKBRYTARE
- PUSH BUTTON SWITCH
- ILA: INDIKERINGSLAMP
- INDICATION LAMP
- T1: THERMOSTAT (MAN O.H.)
- TERMOSTAT (MAN O.H.)
- T3: THERMOSTAT (HIGH)
- TERMOSTAT (HÖG)
- T4: THERMOSTAT (LOW)
- TERMOSTAT (LÅG)
- T5: THERMOSTAT
- TERMOSTAT
- OF: OVER FLOW PROTECTION SWITCH
- ÖVERFYLLNADSBRYTARE
- REC: OUTLET WASHING-MACHINE
- UTTAG TVÄTTMASKIN
- INKB: MAIN TERMINAL BLOCK
- INKOPPLINGSPLINT
- BE: INTERNAL ILLUMINATION
- INNERBELYSNING

--- INTERNAL CONNECTION
INTERN KOPPLING

--- ALTERNATIVE WIRING
ALTERNATIV KOPPLING

Rev ind	Revision	Appd	Year Week
05	Added thermostate T5	PS	03 03
04	Changed number on TB 42 to TB 44	PS	01 41
03	Changed number on TB 4	PS	01 37
02	Changed funktion TB 4	SS	01 33
01	JS Added	PS	99 27

Pos.	Qty	Part No.	Name of item	Material
Material		Dens.Kg/dm3	Dimensions, Type, etc.	
Scale		Gen.tolerance		Description(ENG)
Designed by		Gen.tol.Angle		Description(SE)
Released by		Iss by Dept	Year	Week
		UT	98	03
ASKO CYLINDA				Rev Ind
80 618 67 05				Replace
				Project
				8061867 rev:04