

Dear ASKO customer;

Thank you for choosing this Scandinavian quality product made in Vara, Sweden.

We want you to feel confident that the inside of your new machine is as good as the outside, and that the ethical and moral principles on which we built this machine are just as high as the quality and performance that you obtain from it. We hope that our machine will keep you happy for many years to come.

To derive the best possible benefit from your product, we recommend that you read this Use & Care Guide and the Installation Instructions before using the machine.

ASKO T721

CONTENTS

READ FIRST	Page
1 Before tumble drying for the first time	3
2 Safety instructions General. Installation. Safety. Children's safety. Interrupting a program. Transport/Winter storage. Packing material. Disposal.	4
3 Parts of the dryer	6
4 Panel	7

INSTALLATION

See instructions for installation.

TUMBLE DRYING

5 Before tumble drying Spin-dried? Recommended washing labelling. Sorting. Programs. Options. Temperature. Drying time.	8-9
6 Tumble dry Putting in the washing. Select options. Select temperature. Select time . Start tumble drying. Tumble drying completed. After tumble drying. Cleaning the lint filter. Emptying the condensation water tank. Hints.	11-13
7 Consumption values	14

CARE	Page
8 Care and cleaning Cleaning the lint filter. Emptying the condensation water tank. Cleaning the outside of the machine. Cleaning the fan. Cleaning the condenser.	15-17

PROBLEMS?

9 Trouble shooting Machine will not start. Overheating protection. Tumble drying takes too long.	18
--	----

MISCELLANEOUS

10 Technical information Technical data. Standard tests.	20
11 Service and guarantee	21
12 Quick guide	22
13 Index	23

1 BEFORE TUMBLE DRYING FOR THE FIRST TIME

DO NOT TUMBLE DRY

Certain fabrics are sensitive to tumble drying. Always check and follow the recommended garment labelling on the items concerned, and study Chapter 5, Before tumble drying.

NOTE

When you start the tumble dryer the first time, or after a long period when it has not been in use, you may hear a light rumbling noise. This is quite normal and the sound will disappear after a few drying operations.

For brief operating instructions; see Chapter 12, Quick guide.

2 SAFETY INSTRUCTIONS



GENERAL

- Study and save this Use and Care Guide for future reference.
- Electrical installation, if required, must be carried out by an authorized electrician.
- The machine may only be used for tumble drying in accordance with this Use and Care Guide.
- Repairs and maintenance which affect safety or performance must be carried out by an authorized specialist.

INSTALLATION

See the accompanying installation instructions.

SAFETY

The tumble dryer is not to be used if industrial chemicals have been used for cleaning.

The tumble dryer is intended only for drying textile material washed in water.

The tumble dryer is fitted with an overheating protection device, which switches the machine off in the event of excessive temperature.

A float valve switches the machine off if the condensation water hose becomes clogged, or if there is danger of water over flowing from the container.

The appliance is not intended for use by young children or infirm persons without supervision

CHILDREN'S SAFETY

Young children should be supervised to ensure that they do not play with the appliance.

The tumble dryer is fitted with a magnetic catch, which allows the door to be opened from

the inside. The door is equipped with a switch, which automatically stops the tumble dryer when the door is opened. The machine will not start automatically on closing the door (eg, if a child should close the door from the inside).

INTERRUPTING A PROGRAM

The easiest way to stop the tumble dryer is to open the door, causing the drum to stop automatically. If you wish to continue the drying process, just close the door and press the **Start** button and the machine will start where it was interrupted.

You can also stop the tumble dryer by pressing the **⏸** button.

TRANSPORT/WINTER STORAGE

If the machine is to be transported or stored during the winter, on unheated premises, ensure that the condensation water tank is drained.

PACKING MATERIAL

Sort the packing material for recycling according to recommendations by the local authorities.

DISPOSAL

Contact your local refuse collection service or your local authorities for advice on how to scrap the tumble dryer in a proper manner for recycling.

The tumble dryer is made and marked to facilitate recycling.

2 SAFETY INSTRUCTIONS



To minimize the risk of fire in a tumble dryer, the following should be observed:

- Items that have been spotted or soaked with vegetable or cooking oil constitute a fire hazard and should not be placed in a tumble dryer.

Oil-affected items can ignite spontaneously, especially when exposed to heat sources such as in a tumble dryer. The items become warm, causing an oxidation reaction in the oil. Oxidation creates heat. If the heat cannot escape, the items can become hot enough to catch fire. Piling, stacking or storing oil-affected items can prevent heat from escaping and so create a fire hazard.

If it is unavoidable that fabrics that contain vegetable or cooking oil or have been contaminated by hair care products be placed in a tumble dryer they should first be washed in hot water with extra detergent - this will reduce, but not eliminate, the hazard. The 'cool down' cycle of tumble dryers should be used to reduce the temperature of the items. They should not be removed from the tumble dryer or piled or stacked while hot.

- Items that have been previously cleaned in, washed in, soaked in or spotted with petrol/gasoline, dry-cleaning solvents or other flammable or explosive substances should not be placed in a tumble dryer.

Highly flammable substances commonly used in domestic environments include acetone, denatured alcohol, petrol/gasoline, kerosene, spot removers (some brands), turpentine, waxes and wax removers.

- Items containing foam rubber (also known as latex foam) or similarly textured rubberlike materials should not be dried in a tumble dryer on a heat setting.

Foam rubber materials can, when heated, produce fire by spontaneous combustion.

- Fabric softeners or similar products should not be used in a tumble dryer to eliminate the effects of static electricity unless this practice is specifically recommended by the manufacturer of the fabric softener or product.

- Undergarments that contain metal reinforcements should not be placed in a tumble dryer.

Damage to the tumble dryer can result if metal reinforcements come loose during drying. When available a drying rack could be used for such items.

- Plastic articles such as shower caps or babies' waterproof napkin covers should not be placed in a tumble dryer.

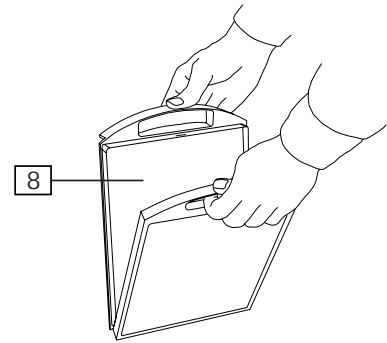
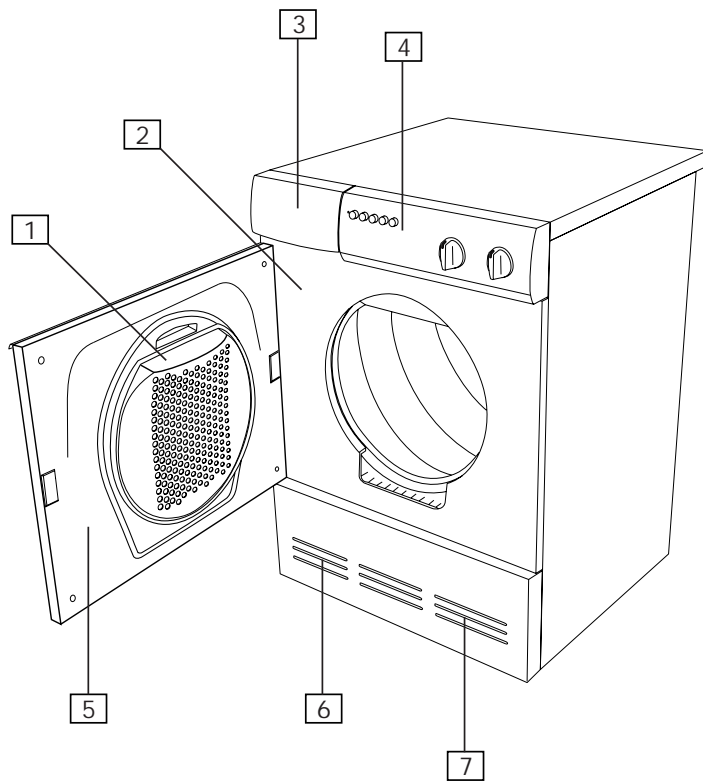
- Rubber-backed articles, clothes fitted with foam rubber pads, pillows, galoshes and rubber-coated tennis shoes should not be placed in a tumble dryer.

VENTED DRYERS

- that there has to be adequate ventilation to avoid the back flow of gases into the room from appliances burning other fuels, including open fires, when operating the tumble dryer.

- that exhaust air must not be discharged into a flue which is used for exhausting fumes from appliances burning gas or other fuels

3 PARTS OF THE TUMBLE DRYER



1. LINT-FILTER HOLDER

2. DATA PLATE

3. CONDENSATION WATER TANK

4. PANEL

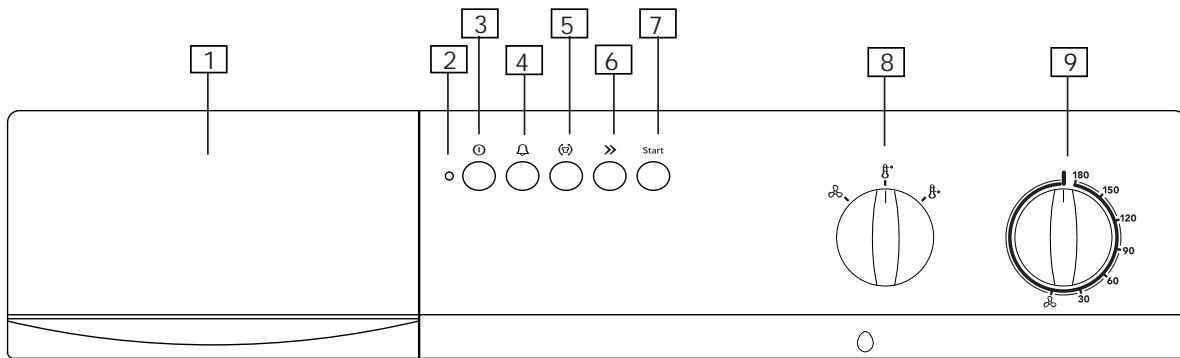
5. OUTER DOOR

6. FAN (BEHIND THE FRONT PANEL)

7. CONDENSER (BEHIND THE LOWER
COVER)

8. LINT FILTER

4 PANEL



1. CONDENSATION WATER TANK

2. INDICATION LAMP ON/OFF

3. MAIN SWITCH

4. BUZZER

5. ANTI-CREASE

6. QUICK COOLING

7. START BUTTON

8. TEMPERATURE/AIRING KNOB

9. PROGRAM TIME KNOB

5 BEFORE TUMBLE DRYING

Before you start tumble drying, here is some advice that can be useful.

SPIN-DRIED?

Items that are to be tumble dried should first be spin-dried, preferably at 800 revs per minute or more so as to save both time and energy.

RECOMMENDED GARMENT LABELLING

 **Material suitable for tumble drying**

The symbol above indicates that the material can be tumble dried. Cotton fabrics, towelling and synthetic fibres are best suited to tumble drying. Clothes and fabrics become softer and fluffier when tumble dried than when dried on a line.

NOTE

Wear and tear of fabrics in a tumble dryer is minimal. The lint caught in the lint filter consists of dust and fibre residue that has been formed when the fabrics were in use.

 **Material which should not be tumble dried**

This symbol indicates that the material will not withstand tumble drying.

Certain materials will melt or become dangerously flammable if heated, while others will lose their shape or shrink.

Do not tumble dry...

- Materials that are marked “Do not dry close to heat”.
- Items that have been dry-cleaned at home.
- Foam plastic.
- Glass-fibre materials.
- Woollen items, because of the risk of felting.

SORTING FABRICS

The most even results are obtained if all articles are of the same material.

Close zip-fasteners, button up garments, tie belts, and sort the fabrics and adapt the load and the temperature as indicated in the table below.

PROGRAM

The length of the program that you should choose depends on what you wish to do with the fabrics after tumble drying. Dry different times for different materials to find the right combination. See also Chapter 7, Consumption values, for recommended program times.

NOTE

Knitted fabrics in particular are liable to shrink. Choose shorter program time for these materials. Always stretch garments out directly after drying.

FABRICS		LOAD	TEMPERATURE
White, coloured and synthetic washing	Cotton and linen	1/1 (5.0 kg)	Normal
	Polyester/cotton	1/2 (2.5 kg)	Normal
Delicate and mild washing	Acrylic, rayon, acetate, etc.	1/2 (2.5 kg)	Low

Sort by amount and type of fabric.

Timed program

When using a timed program with mixed washing it may occur that some of the items will not be sufficiently dried. Such items can suitably be dried by running them in the timed program for a further 10 minutes or so.

NOTE

When using the timed program it is possible to over-dry fabrics if you set too long a time. This can cause fabrics to shrink or crease and feel rough. Synthetic materials can also become charged with static electricity. Set a shorter time if you tumble dry at Temperature Normal.

Air fluff program

Use the Air fluff program just to shake dust out of garments, air them or soften them up.

OPTIONS

>> Quick cooling

You can choose quicker cooling if you wish. Normal cooling lasts 18 minutes and Quick cooling lasts 9 minutes. This option cannot be selected in combination with the Anti-crease option, see below.

Buzzer

The machine offers you the possibility of hearing when the drying program ends. Press the Buzzer button to give a three second acoustic signal when the program is completed.

Anti-crease program

Using the Anti-crease option you can prevent garments from lying still and becoming unnecessarily creased at the end of tumble drying.

This is a useful option if you cannot take out garments promptly at the end of the tumbling phase. This option cannot be selected in combination with Quick cooling.

The drum will continue to rotate intermittently at the end of the drying program, ie, three seconds every minute for one hour.

If you have pressed the Buzzer option, a buzzer will sound each time the drum rotates as a reminder that the drying program has ended.

TEMPERATURE

You can choose temperature Normal () or Low ()

DRYING TIME


Drying time depends on a number of factors, such as the amount of washing, how damp it is, the type of fabrics, rated power of the machine and temperature and humidity of the input air. It also depends on which program you choose.

This page has been left blank for technical printing reasons.

6 TUMBLE DRY

Step by step instructions to help you achieve the best drying results.

1 PUTTING THE WASHING IN

Turn on the main switch first, , then open the door and put the washing in. Close the door.

2 SELECT OPTIONS

By setting the Temperature/Airing knob and pressing suitable option buttons you can choose a program to suit your washing.

Options

>> Quick cooling

You have the possibility of selecting Quick cooling. Normal cooling lasts 18 minutes. Press the Quick cooling button and cooling will last 9 minutes. This option cannot be selected in combination with the Anti-crease option.

Buzzer




If you press the Buzzer there will be a three second acoustic signal when the program is completed.

Anti-crease

This option will make the drum continue to rotate three seconds every minute at the end of the drying program. This option cannot be selected in combination with Quick cooling. This option prevents garments from lying still and becoming creased. This is a helpful option if you cannot take out garments promptly at the end of the program.

If you have pressed the Buzzer , a bell will sound each time the drum rotates in this phase, ie, as a reminder that the drying program has ended.

3 SELECT TEMPERATURE

The Temperature/Airing knob will allow you to choose temperature Normal, , or Low, , or Air fluff program only, .

Use the airing program if you only wish to shake dust out of garments, air them or soften them up.

4 SELECT TIME

Set the desired time for tumble drying or the Air fluff program with the program time knob. The program length that you choose depends on what you wish to do with the fabrics after tumble drying. Dry different times for different materials to find the right combination. See also Chapter 7, Consumption values, for the recommended program times.

In Chapter 12, Quick guide, there is a table where you can fill in different drying times that you have found suitable for different fabrics.

NOTE

When using the timed program it is possible to over-dry fabrics if you set too long a time. This can cause fabrics to shrink or crease and feel rough. Synthetic materials can also become charged with static electricity. Find a time that suits you by choosing a shorter time to begin with. Also set a shorter time if you tumble dry at Temperature Normal.



5 START TUMBLE DRYING
Close the door and press the **Start** button.

Stopping to put in more washing

Open the door and the drum will stop automatically. To restart, close the door and press the **Start** button.

6 ON COMPLETION
Open the door and take out the washing.

7 AFTER TUMBLE DRYING

- Turn OFF the main power switch, ①.
- Clean the lint filter after each operation. If the lint filter becomes clogged the over-heat protection device may trigger. The filter must then be cleaned and the device must be reset to enable the machine to be started, see Chapter 9, Trouble shooting.
- Empty the condensation water tank after each tumble drying.

NOTE

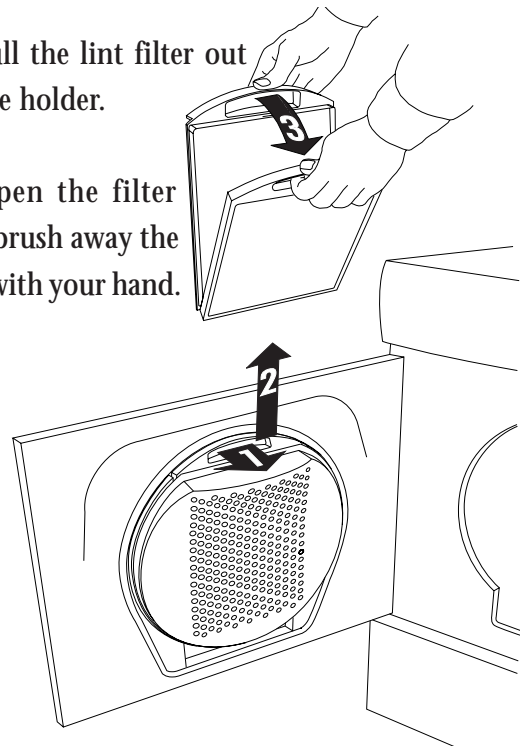
Regularly clean the lint filter.

CLEANING THE LINT FILTER

1. Grasp the filter handle and pull towards you.

2. Pull the lint filter out of the holder.

3. Open the filter and brush away the lint with your hand.

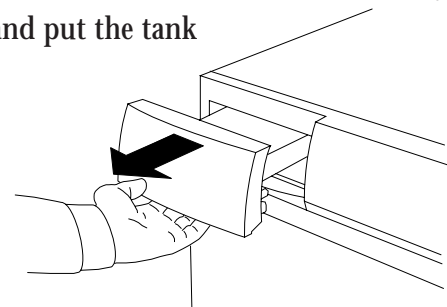


4. Fold the lint filter together and put it back in the filter holder.

EMPTYING THE CONDENSATION WATER TANK

Empty the condensation water tank after each tumble drying.

Pull out the condensation water tank, empty the water and put the tank back.



If the tank becomes too full the program will be interrupted. Empty the tank and press the **Start** button and the program will continue

from where it was interrupted, see also Chapter 9, Trouble shooting.

NOTE

Do not pull out the condensation water tank while the tumble dryer is running.

HINT



The condensation water is soft, and is therefore suitable for use in a steam iron. Strain the water through a coffee paper filter.

If you want the water to be emptied automatically, see the Installation instructions.

7 CONSUMPTION VALUES

The following conditions apply for the consumption values indicated below:

Temperature of intake air: 20°C

Humidity of intake air: 65%

Drying temperature: Normal (⊗), Low (⊗)

Element power: 2500 W

Cotton fabrics spin-dried, prior to tumble drying, at 800 and 1600 revs per minute (low spin) in ASKO washing machine.

Other fabrics (non-iron and acrylic) spin-dried, prior to tumble drying, at 800 revs per minute (short spin) in ASKO washing machine.

MATERIAL	LOAD	POWERCONSUMPTION (approx. kWh)		RECOMMENDED PROGR. TIME (approx. minutes)	
		800 rpm	1600 rpm	800 rpm	1600 rpm
Cotton, linen, ⊗	1/1 (5.0 kg)	3.1	2.4	84	66
Non-iron, polyester/ cotton, ⊗	1/2 (2.5kg)	1.2	---	30	---
Acrylic, rayon, acetate, ⊗	1/2 (2.5 kg)	1.7	---	114	---

8 CARE - CLEANING

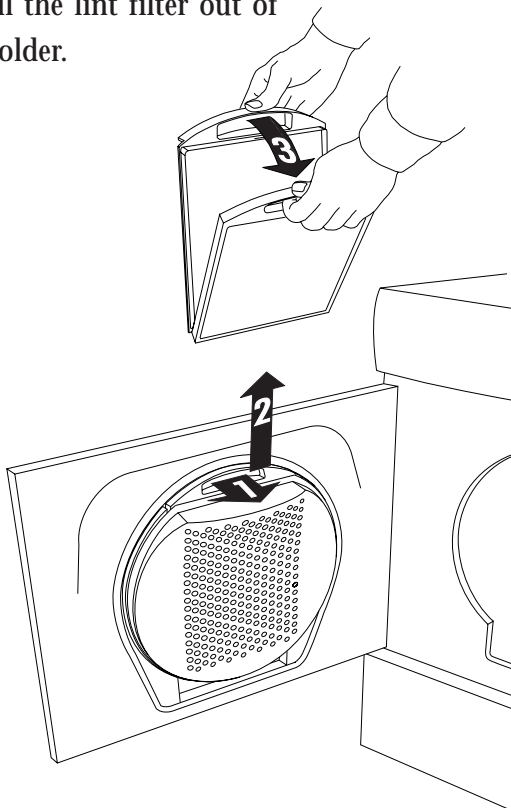
CLEANING THE LINT FILTER

Clean the lint filter after each use.

If your water is very hard a deposit of lime may be formed on the lint filter. Check when cleaning lint from the filter if there is any sign of lime, if so wash the lint filter by hand to remove any deposits.

1. Grasp the filter handle and pull towards you.

2. Pull the lint filter out of the holder.



3. Open the filter and remove fluff from all sides of the filter by hand. Use a soft dry cloth to remove any remaining fluff.

4. Replace the filter in the filter holder.

NOTE

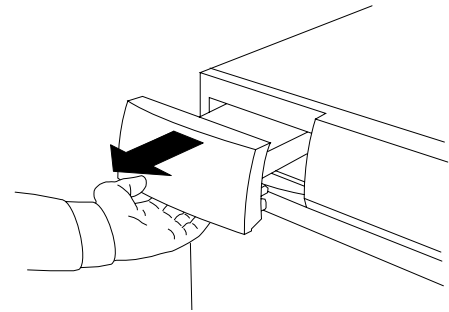
If limescale develops on the filter, rinse it in water to remove the limescale.

Dry the filter thoroughly with a hand towel.

EMPTYING THE CONDENSATION WATER TANK

Empty the condensation water tank after each tumble drying.

Pull out the condensation water tank, empty the water and put the tank back.



If the tank becomes too full the program will be interrupted. Empty the tank and press the **Start** button and the program will continue from where it was interrupted, see also Chapter 9, Trouble shooting.

NOTE

Do not pull out the condensation water tank while the tumble dryer is running.

CLEANING THE OUTSIDE OF THE MACHINE

Use a mild detergent to clean the panel and the outside of the machine. Do not use any solvents, they can damage the machine. Do not spray the machine with water.

NOTE

Do not allow dust to accumulate round the machine. Keep clean and cool around the tumble dryer. Dust, heat and moisture prolong the drying time.

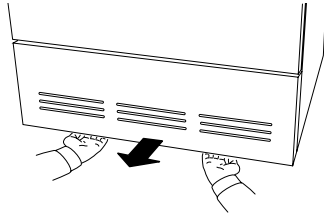


CLEANING THE FAN

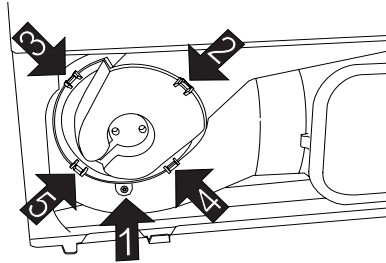
The fan should be cleaned at least once a year. If you have any household pets the fan must be cleaned more often.

1. Turn OFF the main power switch.

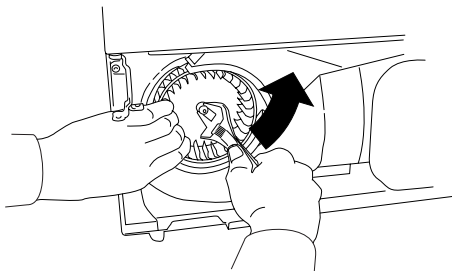
2. Remove the lower cover.



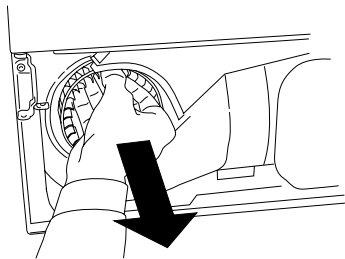
3. Remove the safety screw (1). Prise out the four clips in the order shown and remove the fan cover.



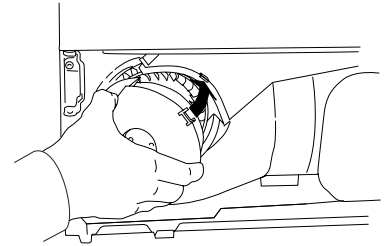
4. Unscrew the nut while holding the fan.



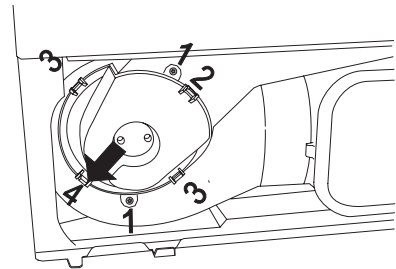
5. Take out the fan and clean it with a brush and water.



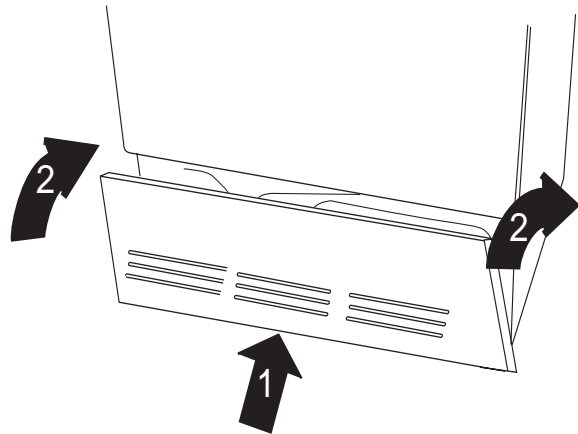
6. Put the fan back into place and screw on the nut.



7. Refit the fan cover, making sure the clips hold the cover in place. Don't forget to fit the safety screw.



8. Fit the lower cover back in place.

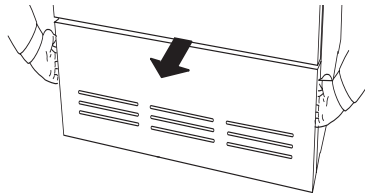


CLEANING THE CONDENSER

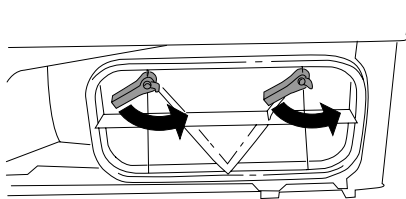
The condenser should be cleaned at least three times a year. If you have any household pets the condenser must be cleaned more often.

1. Turn OFF the main power switch.

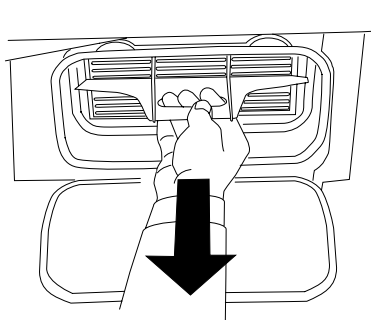
2. Remove the lower cover.



3. Turn the two levers anticlockwise to open the condenser cover.



4. Take the condenser out and rinse the condenser fins clean, eg, using

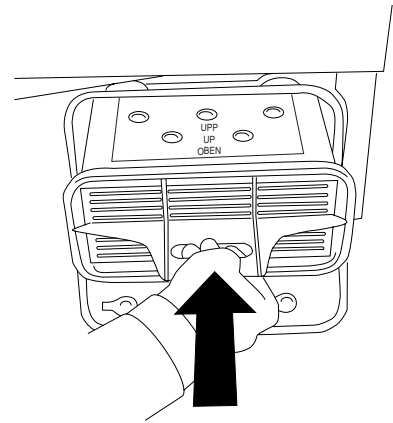


a hand-held shower. Do not poke anything between the fins, you might damage the condenser. Do not use any sharp object when cleaning the fins.

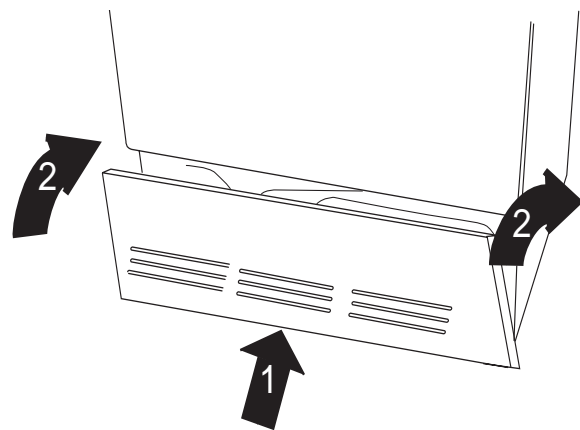
NOTE

Do not attempt to clean the condenser in a dishwasher.

5. Refit the condenser, taking care to fit it the right way up. The top of the condenser is marked "upp", "up" and "oben".



6. Fit the lower cover back in place.



9 TROUBLE SHOOTING

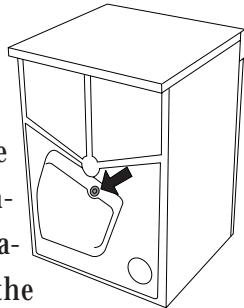
THE MACHINE WILL NOT START

Check that:

- The door is properly closed.
- The main switch is pressed in.
- You have correctly set the required time in the timed program.
- The condensation water tank is emptied.
- The electric plug, if any, is plugged into its socket.
- All fuses are intact. Switch two fuses over to check. It is not always possible to see directly if a fuse has blown.
- The overheating device has not triggered, see below.

OVERHEATING PROTECTION

The overheating protection device switches OFF the tumble dryer if the temperature becomes too high, eg, because the lint filter is clogged. If this happens, clean the filter, empty the condensation water tank and clean the condenser, see Chapter 8, Care and cleaning. Then reset the overheating device by pressing the block rubber button on the back of the machine.



TUMBLE DRYING TAKES TOO LONG

Empty the water container and check that the lint filter and the condenser are not clogged, see Chapter 8, Care and Cleaning. Excessive drying times can also be caused by the machine being installed in a very confined space and by the air in the room (which cools the machine) becoming too warm. In this situation make sure that ventilation is improved, eg, by opening doors and/or windows.

This page has been left blank for technical printing reasons.

10 TECHNICAL INFORMATION

TECHNICAL DATA

Height:	850 mm.
Width:	595 mm.
Depth:	585 mm.
Weight:	47 kg.
Drum volume:	111 litre.
Max. drying capacity:	5.0 kg.
Speed:	52 r/min.
Rated power:	See data plate.
Rated power, element:	See data plate.
Material: Drum	Stainless steel.
Material: Outer cover	Powder-lacquered and hot-galvanized steel sheet or stainless steel.
Positioning:	Washing tower or free-standing
Drain:	2.0 m rubber hose.

STANDARD TESTS

Europe:	EN 611 21 (92/ 13/ EEC)
Drying performance:	Program time 90 minutes, 5.0 kg cotton, temperature Normal.
Energy declaration:	EN 611 21 (92/ 13/ EEC) Program time 90 minutes, 5.0 kg cotton, temperature Normal.
Procedure for acoustic measurement:	IEC 60 704-2-6

11 SERVICE AND GUARANTEE

SERVICE

Before calling for service, check to see whether the faults is due to something that you can rectify yourself. See chapter 13, Trouble shooting.

If you require service, telephone your local ASKO retailer or the ASKO representative for your country. See guarantee card for the address and telephone number.

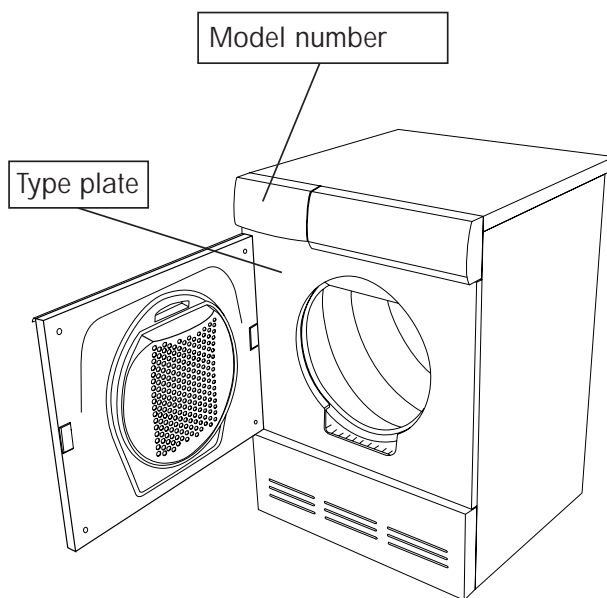
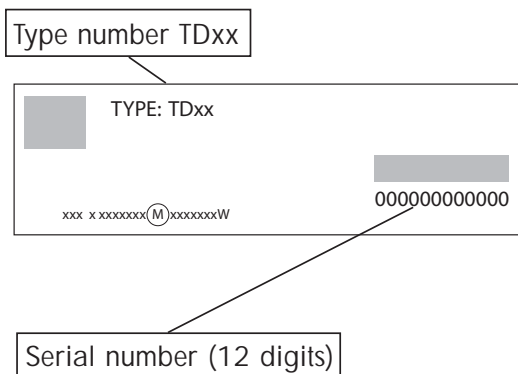
GUARANTEE

For guarantee details, see the guarantee card.

BEFORE CONTACTING THE SERVICE DEPARTMENT

Before contacting the Service Department, make a note of the model number, type designation and serial number.

The model number is on the panel. The type designation and the serial number are on the type plate located inside the door.



12 QUICK GUIDE

1. Sort the washing.
2. Switch the main switch, **Ⓢ**, ON and open the door.
3. Put the washing in and close the door.
4. Select options and time.
5. Close the door and press the **Start** button.
6. Drying program completed.
Open the door and take out the washing.
7. When tumble drying is finished.
Switch the main switch, **Ⓢ**, OFF.

WASHING →	Cotton, linen, etc	Non-iron Polyester/cotton	Acrylic, rayon, acetate	Air fluff program
Max. load (kg)	5.0	2.5	2.5	5.0
SET THE KNOB				
Time (min)	0-180	0-180	0-180	0-180
Temperature/Airing	Ⓕ	Ⓕ	Ⓕ	Ⓖ

DRYING TIMES FOR DIFFERENT FABRICS AND SETTINGS

Filling in the table below will be of help in choosing the length of a timed program the next time you use the tumble dryer.

Type of fabrics	Options	Temperature (Normal/Low)	Program time (minutes)

13 INDEX

	Chapter		Chapter		Chapter
A		G		S	
Acetate	5,6,12	Glass-fibre material	5	Safety	2
Acrylate	5,6,12	Guarantee	11	Service	11
After tumble drying	6,8			Sorting fabrics	5
Air fluff program	5,6,12	I		Spin-dried	5
Altering settings	6	Installation, see Installation		Standard tests	10
Anti-crease program	5,6	instructions		Start	6,12
		Interrupting a program	2	Synthetic fabrics	5,6,12
B				T	
Before tumble drying the first time	1	J		Technical data	10
Before tumble drying	5	Jeans	5	Temperature	5,6,12
Belts	5	K		Timed program	5,6,12
Buzzer	5,6	Knitted fabrics	5	Trouble shooting	9
				Tumble dry	6,12
C		L		Z	
Care	8	Linen	5,6,12	Zip fasteners	5
Children's safety	2	Lint filter	6,8		
Cleaning	8	Low temperature	5,6,12		
Coloured washing	5				
Condensation water tank	6,8	M			
Condenser	8	Main power switch	4		
Consumption values	7	Mangling	5		
Cooling	5,6				
Cotton	5,6,12	N			
		Normal temperature	5,6,12		
D				O	
Delicate washing	5	O		Options	5,6
Disposal	2	Overheating protection	9		
Do not tumble dry	5			P	
Dry cleaning	2,5			Packing material	2
Drying time	5,7			Panel	4
				Parts of the tumble dryer	3
E				Polyester	5,6,12
Emergency stop, see Interrupting a program				Programs	5,6,12
F				R	
Fabrics wear	5			Rayon	5,6,12
Fan	8			Recommended washing	
Felting	5			marking	5
Flammable material	5			Restarting	6
Foamed plastic	5				

