

This Owner's Manual is provided and hosted by [Appliance Factory Parts](#).



FANTECH FTC463857 Owner's Manual

**[Shop genuine replacement parts for FANTECH
FTC463857](#)**



[Find Your FANTECH Fan Parts - Select From 108 Models](#)

----- Manual continues below -----

VER 150 Fresh Air Appliance

Item #: 463857

Variant : 120V 1~ 60Hz



Technical parameters

Product	
Voltage (nominal)	120 V
Frequency	60 Hz
Phase(s)	1~
Input power	156 W
Input current	1.2 A
Air flow	148 cfm
Static pressure	0.4 in.wg
Certificate	CSA, HVI
Exchanger	
Exchanger type	Energy recovery (synthetic)
Dimensions and weights	
Weight	41.9 lb
Used for	
Installation placement	Vertical

Description

- Airflow up to 159 cfm @ 0.4" Ps serves 2 to 5 bedroom homes
- Removable screw terminal for easy connection
- Compatible with Fantech's low-voltage controls
- Three speed ventilation control
- Washable electrostatic filters
- Anti-microbial material
- Withstands freezing
- AHRI certified

Application

Fantech's VER 150 is an Energy Recovery Ventilator designed for higher static pressure applications.

How it works

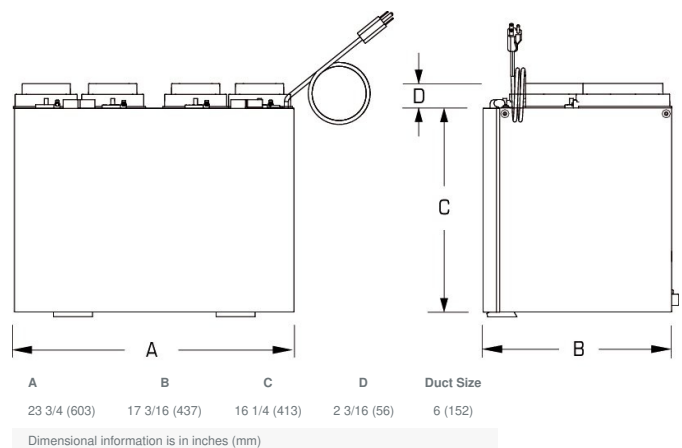
The unit brings a continuous supply of fresh air into a home while exhausting an equal amount of contaminated air. The energy recovery core at the center of the unit transfers heat and moisture from incoming air to...

[Find more details in our online catalogue](#)

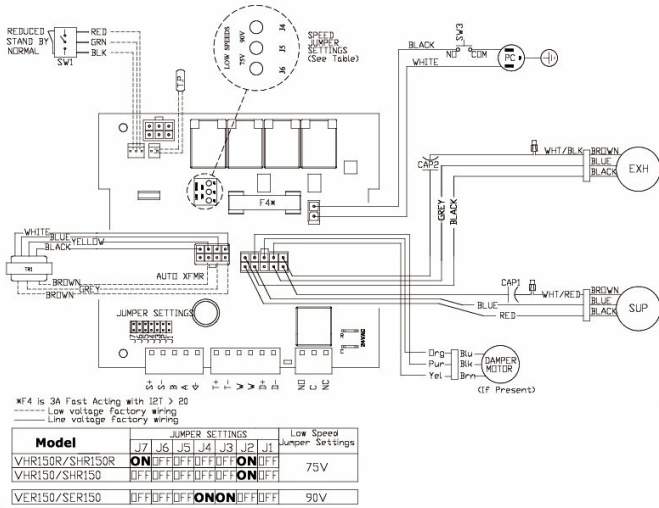
Performances

	Speed	Supply Temperature		Net Airflow		Consumed Power	Net Effectiveness		
		°F	°C	cfm	L/s		Sensible %	Latent %	Total %
Heating	Low	35	1.7	75	35	88	62	44	55
	Medium	35	1.7	115	54	120	59	41	53
	High	35	1.7	150	71	171	56	37	50
Cooling	Low	95	35	75	35	88	62	40	50
	Medium	95	35	115	54	120	59	37	46
	High	95	35	150	71	171	56	33	42

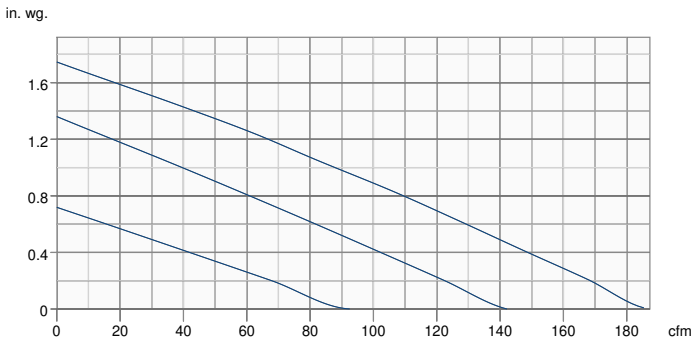
Dimensions



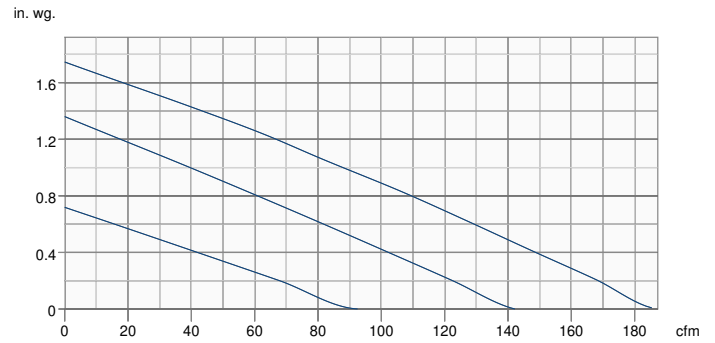
Wiring



Supply - Performance curve



Extract - Performance curve



Unit	Supply	Extract
Required air flow	-	-
Working air flow	-	-
Required external pressure	-	-
Working air pressure	-	-
Power	-	-
Current	-	-
Air density	0.075 lb/ft³	
Fan control - RPM	-	-

Accessories

ECO-Feel® Auto IAQ Control (414729)
 RTS-W Wireless Timer (414920)
 FIDT 6 Insulated Flex Duct (411064)
 ADC 6 Shut-off Damper w Motor (44967)
 Filter, MERV8, 150 cfm, Repl. kit (414924)
 MGE 6 Metal Exhaust Grill (411371)

ECO-Touch® Auto IAQ (414727)
 COM6P Supply and Exhaust Hoods (40222)
 HS 6W External Louver Exhaust (45153)
 Filter, MERV6, 150 cfm, Repl. kit (414647)
 Filter, MERV8, 260-450, Repl. kit (414928)
 MGS 6 Metal Supply Grill (411242)

Documents

445312 VER150 IOM EN FR.pdf
 463857 VER150 Spare Part List.pdf
 445318 VER150 Spec Sheet.pdf
 E400087 VHR150, VHR150R-VER150 Dimensional Submittal.pdf