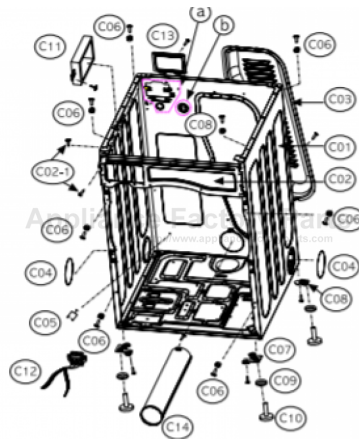


This Owner's Manual is provided and hosted by [Appliance Factory Parts](#).



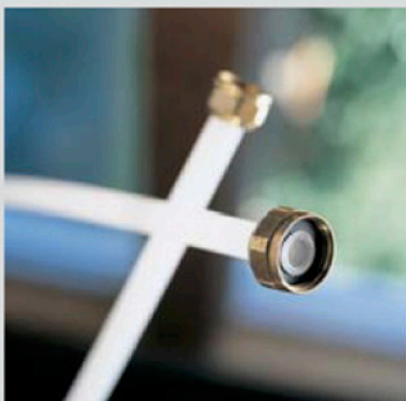
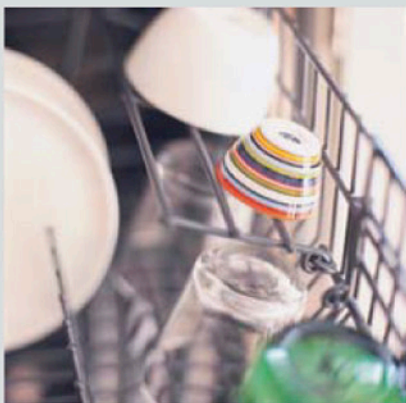
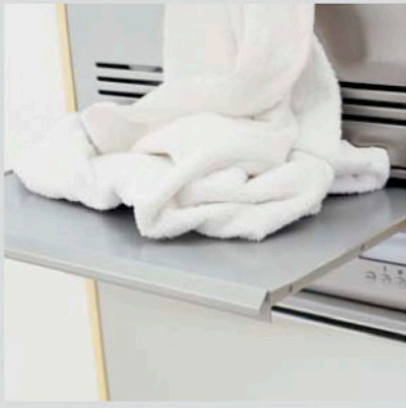
ASKO TL751XXL Owner's Manual

[Shop genuine replacement parts for ASKO TL751XXL](#)



[Find Your ASKO Dryer Parts - Select From 73 Models](#)

----- Manual continues below -----



Spare Parts Catalogue

Dryers \ XXL Series
Type: TL751XXLWTL
Model: TL751XXL Dryer XXL

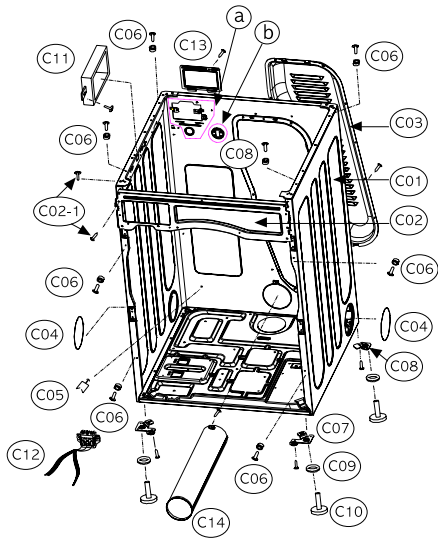
Prod. No: 10775100

April 11th 2008

AM Appliances Group

P.O. Box 851805 • Richardson • TX 75085-1805
789 N. Grove Road • Suite 103 • Richardson • TX 75081

1. CABINET ASS'Y

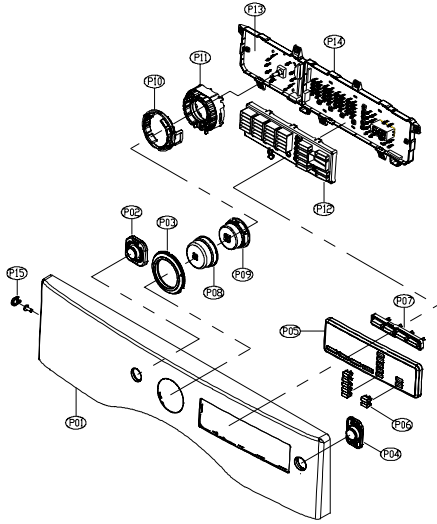


Cabinet Assembly

ASKO, TL751XXL - Dryer XXL (TL751XXLWTL)

| Pos | Spare part No. | Description | Qty | Comment |
|-------|----------------|--------------------------|---------|---------|
| C01 | 3610812300 | Cabinet Complete | 1 Pc's | |
| C02 | 3612207900 | Front Frame Upper | 1 Pc's | |
| C02-1 | 7122401411 | Screw - Self Tapping | 6 Pc's | |
| C03 | 3611427900 | Back Cover | 1 Pc's | |
| C03a | 7122401411 | Screw - Self Tapping | 12 Pc's | |
| C04 | 3611428000 | Vent Duct Cover | 2 Pc's | |
| C05 | 3613802300 | Harness Clip | 14 Pc's | |
| C06 | 3612008000 | Panel Clip | 8 Pc's | |
| C06a | 7122401411 | Screw - Self Tapping | 8 Pc's | |
| C07 | 3615304200 | Front Leg Support | 2 Pc's | |
| C08 | 3615304300 | Rear Leg Support | 2 Pc's | |
| C09 | 3612006400 | Leg Locking Nut | 4 Pc's | |
| C10 | 3612100600 | Leveling Foot | 4 Pc's | |
| C10a | 7122401411 | Screw - Self Tapping | 8 Pc's | |
| C11 | PRPSSWAD45 | Power Main PCB Dryer | 1 Pc's | |
| C11a | 7122401411 | Screw - Self Tapping | 2 Pc's | |
| C12 | 3612797000 | Harness - Power Main PCB | 1 Pc's | |
| C12a | 7122401411 | Screw - Self Tapping | 2 Pc's | |
| C12b | 7S422X4081 | Earth Ground Screw | 2 Pc's | |
| C13 | 3611428100 | Terminal Block Cover | 1 Pc's | |
| C13a | 71224014011 | Screw-Self Tapping | 1 Pc's | |
| C14 | 3614413500 | Exhaust Duct | 1 Pc's | |
| C14a | 7112401008 | Screw-Self Tapping | 1 Pc's | |

7. PANEL F ASS'Y

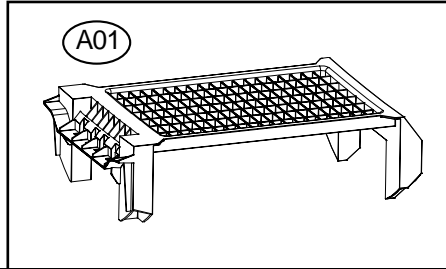
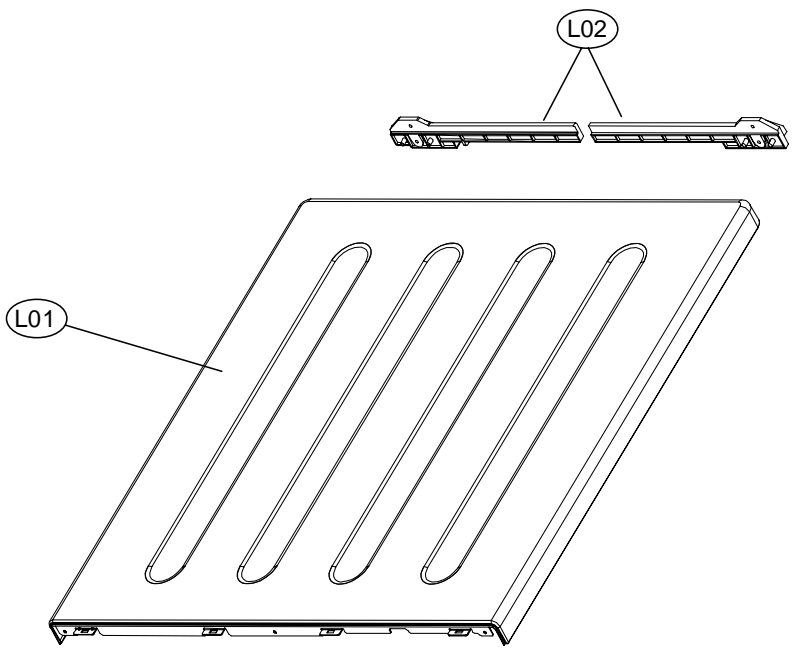


Control Panel Assembly

ASKO, TL751XXL - Dryer XXL (TL751XXLWTL)

| Pos | Spare part No. | Description | Qty | Comment |
|------|----------------|-------------------------------|--------|---------|
| P01 | 3614288900 | Front Control Panel | 1 Pc's | |
| P01a | 71224012411 | Screw - Self Tapping | 1 Pc's | |
| P02 | 3616637800 | Power Button | 1 Pc's | |
| P03 | 3615506300 | Lens Cover - Prg Selector | 1 Pc's | |
| P04 | 3616637900 | Start Button | 1 Pc's | |
| P05 | 3615506400 | Program Lens Cover | 1 Pc's | |
| P06 | 3616638100 | Option Button | 7 Pc's | |
| P07 | 3616638200 | Program Knob - Outer | 1 Pc's | |
| P08 | 3616638200 | Program Knob - Outer | 1 Pc's | |
| P09 | 3616638300 | Program Knob - Inner | 1 Pc's | |
| P10 | 3613054700 | Program Knob Lens | 1 Pc's | |
| P11 | 3613054500 | Program Knob Lens Holder | 1 Pc's | |
| P12 | 3613054600 | Lens Cover - Prg Option | 1 Pc's | |
| P13 | PRPSSWAD55 | Control Unit PCB | 1 Pc's | |
| P14 | 3611147600 | Control Unit Case - PCB Front | 1 Pc's | |
| P14a | 71224012411 | Screw - Self Tapping | 7 Pc's | |
| P15 | 3610917700 | Screw Cap | 1 Pc's | |

8. PLATE T ASS'Y

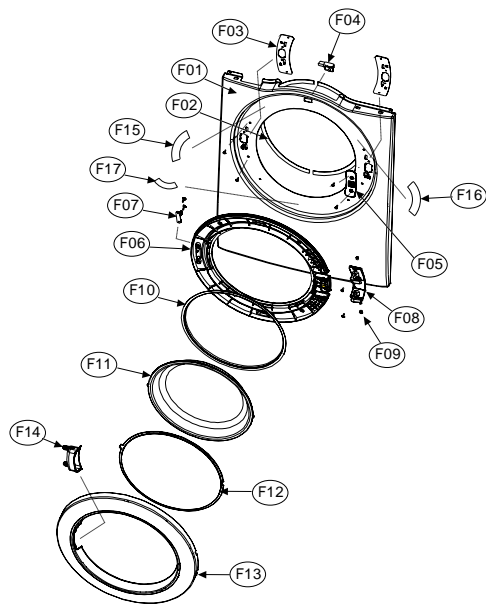


Top Pnael & Dryer Rack

ASKO, TL751XXL - Dryer XXL (TL751XXLWTL)

| Pos | Spare part No. | Description | Qty | Comment |
|------------|-----------------------|----------------------|------------|----------------|
| A01 | 36124234000 | Dryer Rack | 1 Pc's | |
| L01 | 3614533010 | Top Panel | 1 Pc's | |
| L02 | 3615304110 | Top Panel Support | 2 Pc's | |
| L02a | 7122401411 | Screw - Self Tapping | 4 Pc's | |

6. CABINET FRONT ASSY

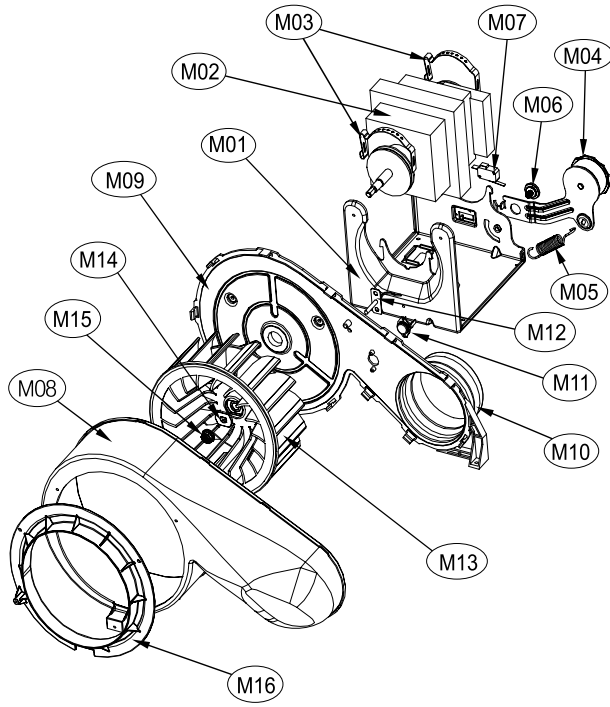


Cabinet Front Assembly

ASKO, TL751XXL - Dryer XXL (TL751XXLWTL)

| Pos | Spare part No. | Description | Qty | Comment |
|------------|-----------------------|-----------------------|------------|----------------|
| F01 | 3610812500 | Front Panel | 1 Pc's | |
| F02 | 3612323300 | Front Panel Gasket | 4 Pc's | |
| F03 | 3615304400 | Hinge Support | 2 Pc's | |
| F04 | 3619047700 | Door Switch | 1 Pc's | |
| F05 | 3613802500 | Door Lock | 1 Pc's | |
| F05a | 7002401608 | Machine Screw | 2 Pc's | |
| F06 | 3612208000 | Door Frame | 1 Pc's | |
| F07 | 361310110 | Door Hook | 1 Pc's | |
| F07a | 7115401608 | Screw-Self Tapping | 1 Pc's | |
| F08 | 3612903600 | Door Hinge | 1 Pc's | |
| F08a | 3616030000 | Screw - Self Tapping | 4 Pc's | |
| F09 | 3610916500 | Door Hinge Cap | 2 Pc's | |
| F10 | 3612323000 | Door Gasket | 1 Pc's | |
| F11 | 36117ABR00 | Door Glass | 1 Pc's | |
| F12 | 3618304300 | Door Glass Protection | 1 Pc's | |
| F13 | 3612208100 | Door Frame | 1 Pc's | |
| F13a | 7115402008 | Screw - Self Tapping | 13 Pc's | |
| F14 | 3611428300 | Door Handle | 1 Pc's | |

2. DRYER MOTOR ASS'Y

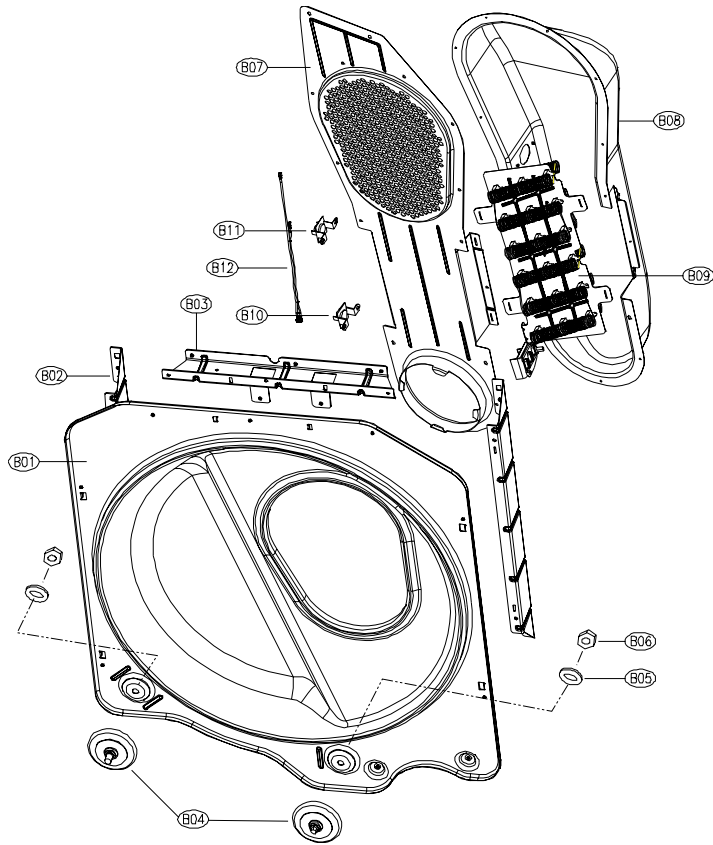


Dryer Motor Assembly

ASKO, TL751XXL - Dryer XXL (TL751XXLWTL)

| Pos | Spare part No. | Description | Qty | Comment |
|------|----------------|-----------------------------|--------|---------|
| M01 | 3610608500 | Motor Bracket | 1 Pc's | |
| M01a | 7122401411 | Screw - Self Tapping | 4 Pc's | |
| M02 | 36189L5D00 | Dryer Motor | 1 Pc's | |
| M03 | 3611206000 | Motor Clamp | 2 Pc's | |
| M04 | 3610609100 | Idler Bracket | 1 Pc's | |
| M05 | 3615115500 | Idler Spring | 1 Pc's | |
| M06 | 3616003000 | Idler Bolt | 1 Pc's | |
| M07 | 3619047500 | Micro Switch | 1 Pc's | |
| M07a | 7121301611 | Screw-Self Tapping | 2 Pc's | |
| M08 | 3611144900 | Fan Case - Front | 1 Pc's | |
| M09 | 3611145000 | Fan Case - Rear | 1 Pc's | |
| M10 | 3612323200 | Pipe Gasket | 1 Pc's | |
| M10a | 7122401411 | Screw - Self Tapping | 3 Pc's | |
| M10b | 7112401411 | Screw-Self Tapping | 2 Pc's | |
| M11 | 3619047620 | Fan Thermistat - High Limit | 1 Pc's | |
| M11a | 7121300811 | Screw-Self Tapping | 2 Pc's | |
| M12 | 361AAAAC20 | Thermistor | 1 Pc's | |
| M12a | 7122401411 | Screw - Self Tapping | 1 Pc's | |
| M13 | 3611886200 | Fan Impeller | 1 Pc's | |
| M14 | 3616039100 | Lock Washer | 1 Pc's | |
| M15 | 3616039200 | Lock Nut | 1 Pc's | |
| M16 | 3611428200 | Fan Cover | 1 Pc's | |
| M16a | 7122401411 | Screw - Self Tapping | 2 Pc's | |

3. SUPPORT DRUM REAR ASS'Y

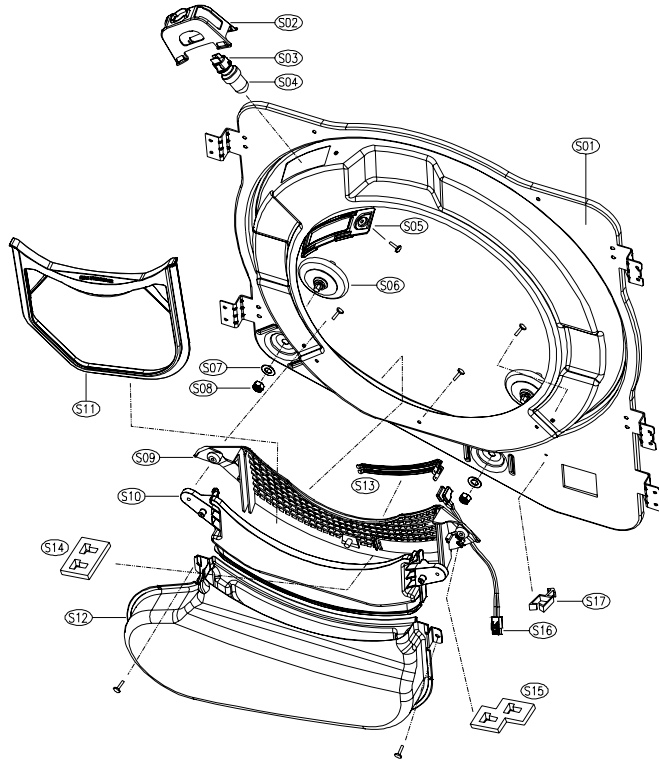


Drum Support Rear Assembly

ASKO, TL751XXL - Dryer XXL (TL751XXLWTL)

| Pos | Spare part No. | Description | Qty | Comment |
|------------|-----------------------|--------------------------------|------------|----------------|
| B01 | 3615304500 | Drum Support Rear | 1 Pc's | |
| B01a | 7122401411 | Screw - Self Tapping | 6 Pc's | |
| B02 | 3610608800 | Support Bracket Right Side | 1 Pc's | |
| B03 | 3610608900 | Support Bracket Right Upper | 1 Pc's | |
| B03a | 7122401411 | Screw - Self Tapping | 7 Pc's | |
| B04 | 3614714400 | Drum Roller | 2 Pc's | |
| B05 | 3616039400 | Washer - Roller | 2 Pc's | |
| B06 | 3616039300 | Nut - Roller | 2 Pc's | |
| B07 | 3617510300 | Inlet Duct - Front | 1 Pc's | |
| B07a | 7122400811 | Screw-Self Tapping | 6 Pc's | |
| B08 | 3617510200 | Inlet Duct - Rear | 1 Pc's | |
| B08a | 7122400811 | Screw-Self Tapping | 6 Pc's | |
| B09 | 3612802500 | Heater - Dryer | 1 Pc's | |
| B10 | 3619047610 | Safety Thermostat - Non Re-set | 1 Pc's | |
| B10a | 7122400811 | Screw-Self Tapping | 2 Pc's | |
| B11 | 3619047600 | Thermostat - Hi Limit | 1 Pc's | |
| B11a | 7122400811 | Screw-Self Tapping | 2 Pc's | |
| B12 | 3612797100 | Heater Harness - Dryer | 1 Pc's | |

4. SUPPORT DRUM FRONT ASS'Y

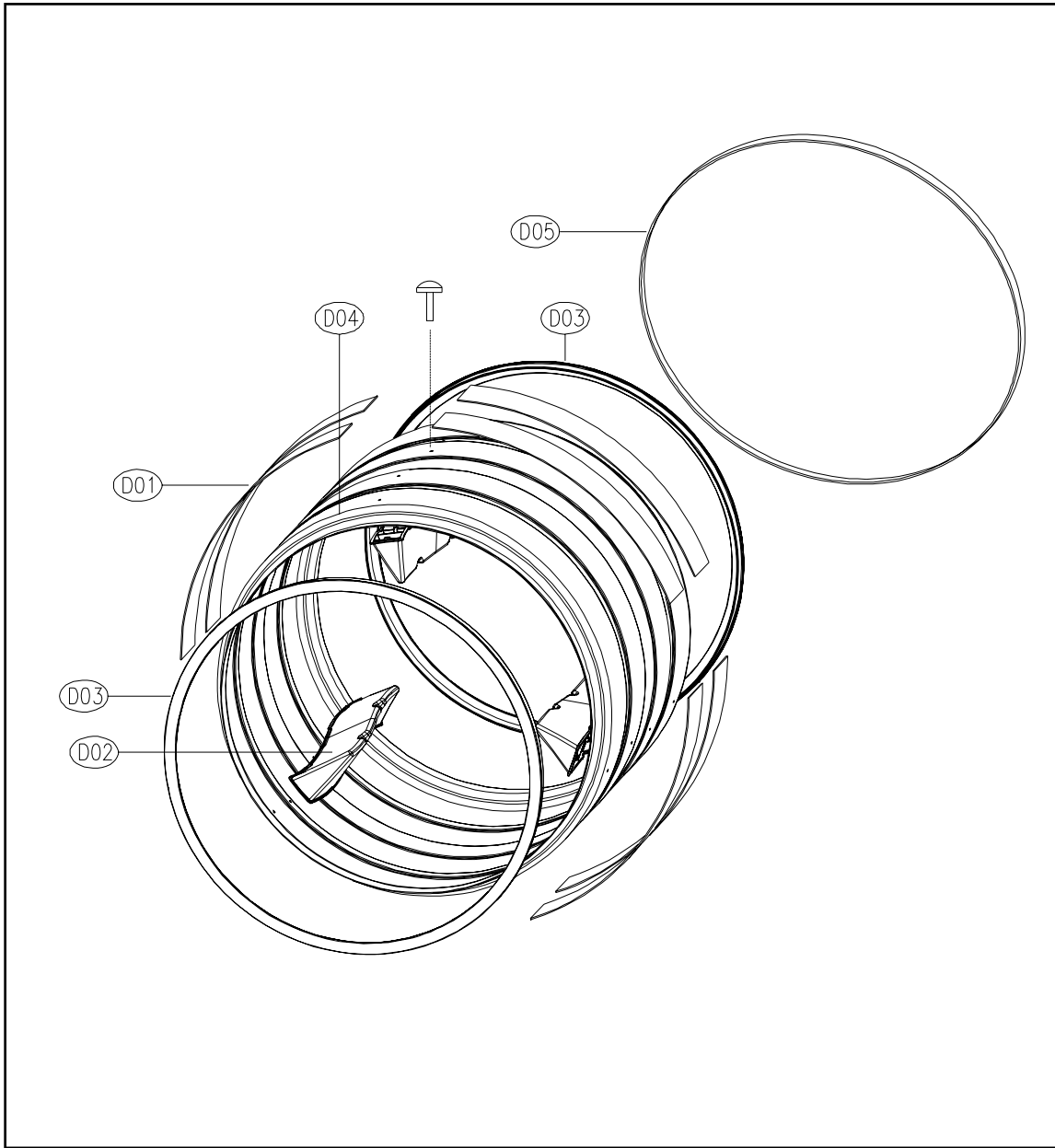


Drum Support Front Assembly

ASKO, TL751XXL - Dryer XXL (TL751XXLWTL)

| Pos | Spare part No. | Description | Qty | Comment |
|------------|-----------------------|-------------------------|------------|----------------|
| S01 | 3615304600 | Drum Support Front | 1 Pc's | |
| S02 | 3613053400 | Lamp Housing | 1 Pc's | |
| S03 | 3613053300 | Lamp Socket | 1 Pc's | |
| S05 | 3615505100 | Lamp Cover | 1 Pc's | |
| S05a | 7112401208 | Screw-Self Tapping | 1 Pc's | |
| S06 | 3614714400 | Drum Roller | 2 Pc's | |
| S07 | 3616039400 | Washer - Roller | 2 Pc's | |
| S08 | 3616039300 | Nut - Roller | 2 Pc's | |
| S09 | 3611909700 | Filter Body - Rear | 1 Pc's | |
| S10 | 3611909600 | Filter Body - Front | 1 Pc's | |
| S11 | 3611909500 | Lint Filter | 1 Pc's | |
| S12 | 3617500400 | Outlet Duct | 1 Pc's | |
| S12a | 7112401408 | Screw-Self Tapping | 3 Pc's | |
| S12b | 7122401411 | Screw - Self Tapping | 3 Pc's | |
| S13 | 3614825500 | Moisture Sensor | 2 Pc's | |
| S14 | 3612009600 | Sensor Bracket - Center | 1 Pc's | |
| S15 | 3612009700 | Sensor Bracket - Right | 1 Pc's | |
| S16 | 3612797200 | Harness - Sensor | 1 Pc's | |
| S17 | 3613802400 | Harness Clip | 1 Pc's | |

5. DRUM ASS'Y



Drum Assembly

ASKO, TL751XXL - Dryer XXL (TL751XXLWTL)

| Pos | Spare part No. | Description | Qty | Comment |
|------------|-----------------------|--------------------|------------|----------------|
| D01 | 361411100 | Drum Pad | 6 Pc's | |
| D02 | 361A401000 | Drum Paddle | 3 Pc's | |
| D02a | 7122502008 | Screw-Self Tapping | 12 Pc's | |
| D03 | 3614010600 | Drum Seal | 2 Pc's | |
| D04 | 3617010000 | Drum | 1 Pc's | |
| D05 | 3616591200 | Belt | 1 Pc's | |

ELECTRIC DRYER DIAGRAM

