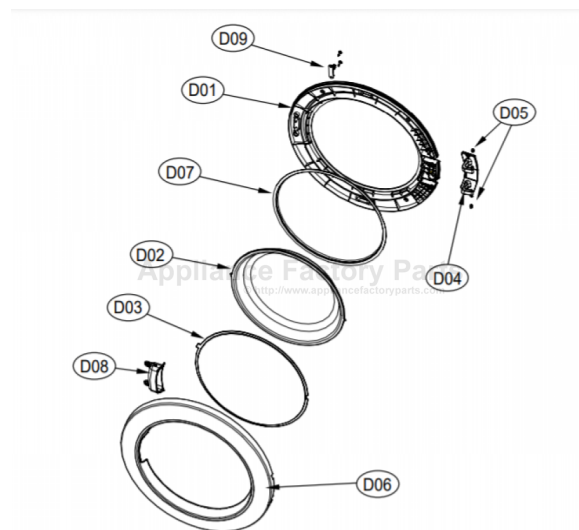


This Owner's Manual is provided and hosted by [Appliance Factory Parts](#).



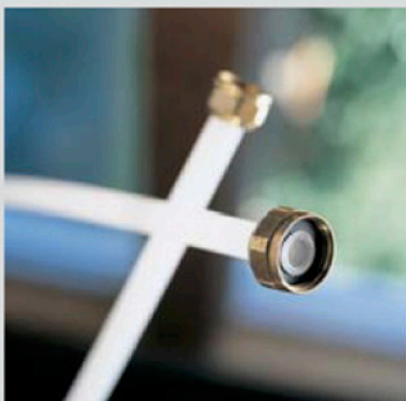
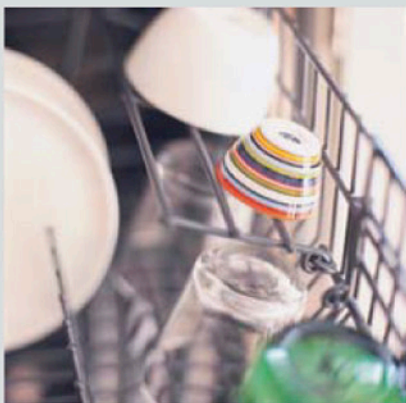
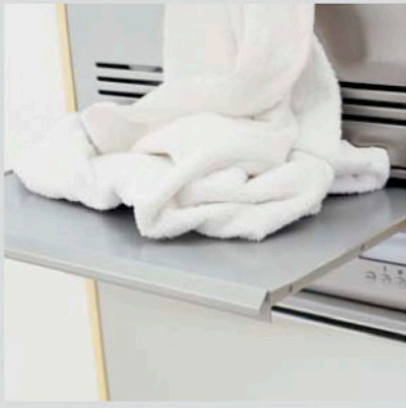
ASKO TL751XXLPP Owner's Manual

**[Shop genuine replacement parts for ASKO
TL751XXLPP](#)**



[Find Your ASKO Dryer Parts - Select From 73 Models](#)

----- Manual continues below -----



Spare Parts Catalogue

Tumble Dryers \ ASKO XXL Series

Type: TL751XXLPP

Model: TL751XXLPP Electronical Dryer XXL

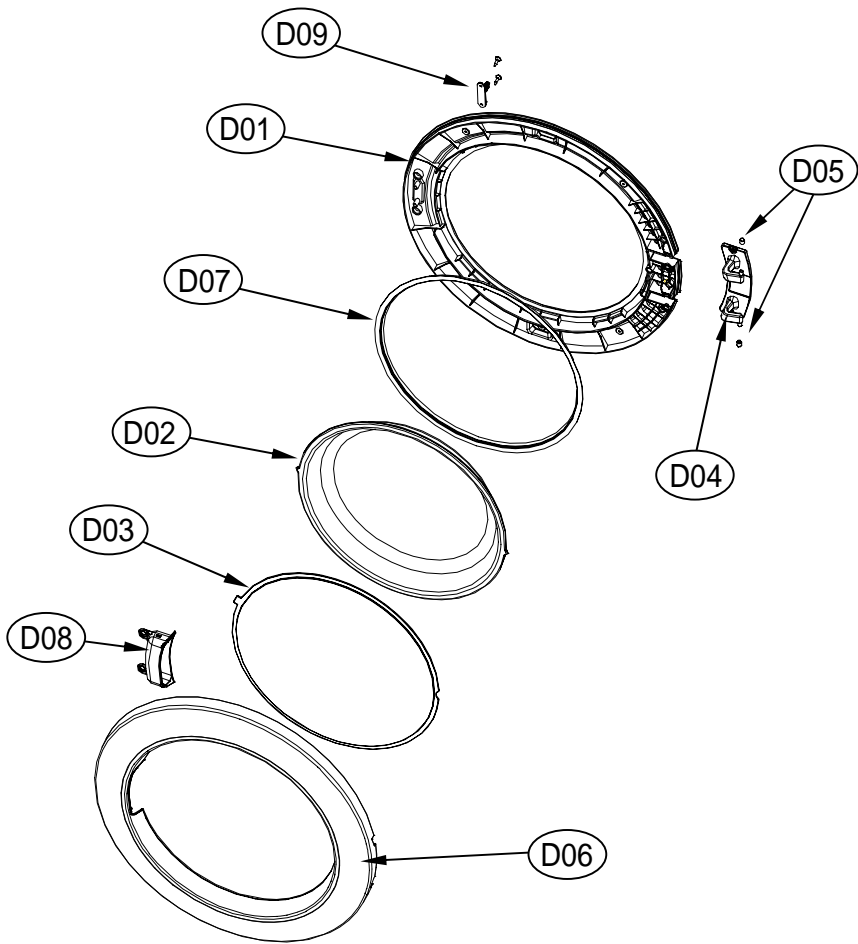
Prod. No: 107751PP

October 20th 2009

ASKO Appliances Inc.

4001 E Plano Parkway #1004001 E Plano Parkway #100
Plano, Texas 75074

8. DOOR ASS'Y

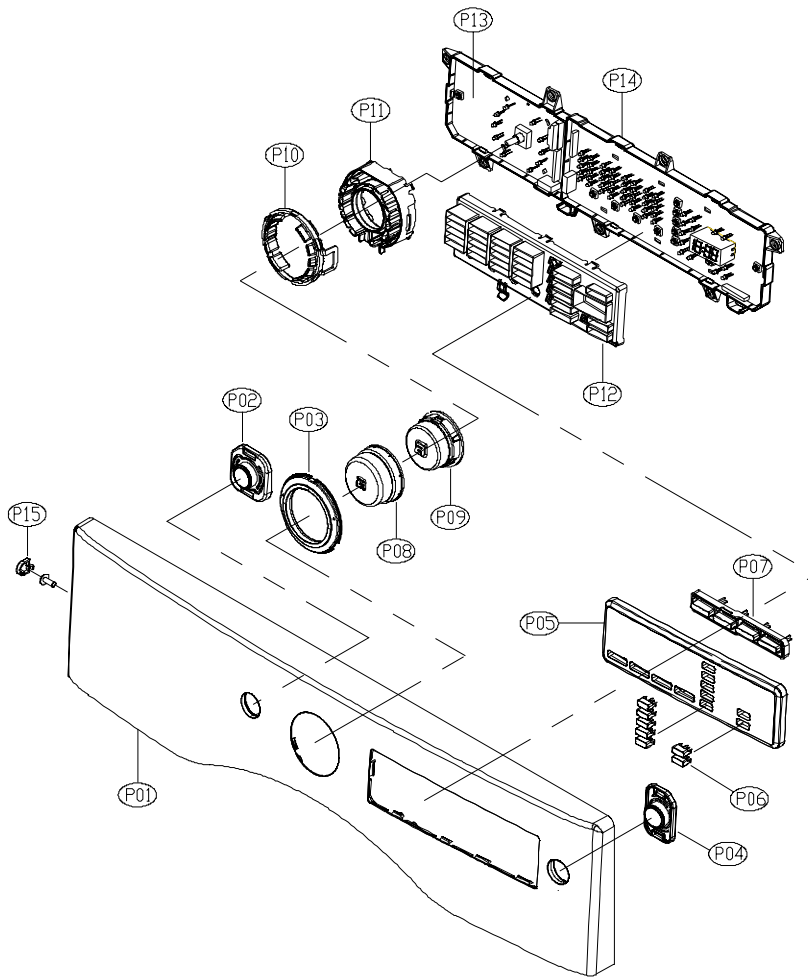


Door Assembly

ASKO, TL751XXLPP - Electronical Dryer XXL (TL751XXLPP)

| Pos | Spare part No. | Description | Qty | Comment |
|------|----------------|---------------------------|---------|---|
| D01 | 3612208000 | Door Frame - Inner | 1 Pc's | |
| D01a | 7115402008 | Screw - Self Tapping | 15 Pc's | For attaching Inner & Outer door frames |
| D02 | 36117ABR00 | Door Glass | 1 Pc's | |
| D03 | 3618304300 | Door Glass Protection | 1 Pc's | |
| D04 | 3612903600 | Door Hinge | 1 Pc's | |
| D05 | 3610916500 | Door Hinge Cap | 2 Pc's | |
| D06 | 3612208120 | Door Frame - Outer Chrome | 1 Pc's | |
| D07 | 3612323000 | Door Gasket | 1 Pc's | |
| D08 | 3611428310 | Handle Cover | 1 Pc's | |
| D09 | 3613101100 | Door Hook | 1 Pc's | |
| D09a | 7115401608 | Screw-Self Tapping | 1 Pc's | For attaching door hook |

11. CONTROL PANEL F ASS'Y

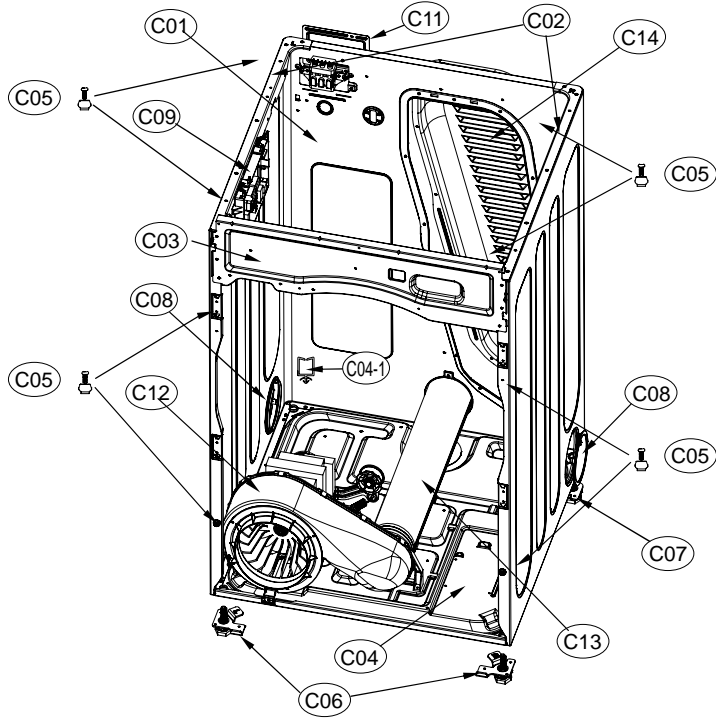


Control Panel Assembly

ASKO, TL751XXLPP - Electronical Dryer XXL (TL751XXLPP)

| Pos | Spare part No. | Description | Qty | Comment |
|------|----------------|-------------------------------|--------|------------------------------------|
| P01 | 3614288900PP | Front Control Panel | 1 Pc's | |
| P01a | 71224012411 | Screw - Self Tapping | 1 Pc's | To affix PCB case to control panel |
| P02 | 3616637800 | Power Button | 1 Pc's | |
| P03 | 3615506300 | Lens Cover - Prg Selector | 1 Pc's | |
| P04 | 3616637900 | Start Button | 1 Pc's | |
| P05 | 3615506400 | Program Lens Cover | 1 Pc's | |
| P06 | 3616638100 | Option Button | 7 Pc's | |
| P07 | 3616638000 | Function Button | 1 Pc's | |
| P08 | 3616638200 | Program Knob - Outer | 1 Pc's | |
| P09 | 3616638300 | Program Knob - Inner | 1 Pc's | |
| P10 | 3613054700 | Program Knob Lens | 1 Pc's | |
| P11 | 3613054500 | Program Knob Lens Holder | 1 Pc's | |
| P12 | 3613054600 | Lens Cover - Prg Option | 1 Pc's | |
| P13 | PRPSSWAD55 | Control Unit PCB - Dryer | 1 Pc's | For Electric & Gas Dryers |
| P14 | 3611147600 | Control Unit Case - PCB Front | 1 Pc's | |
| P14a | 71224012411 | Screw - Self Tapping | 7 Pc's | To affix PCB case to control panel |
| P15 | 3610917700PP | Screw Cap | 1 Pc's | |

1. DRYER CBINET ASS'Y

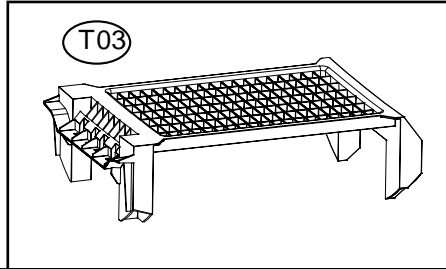
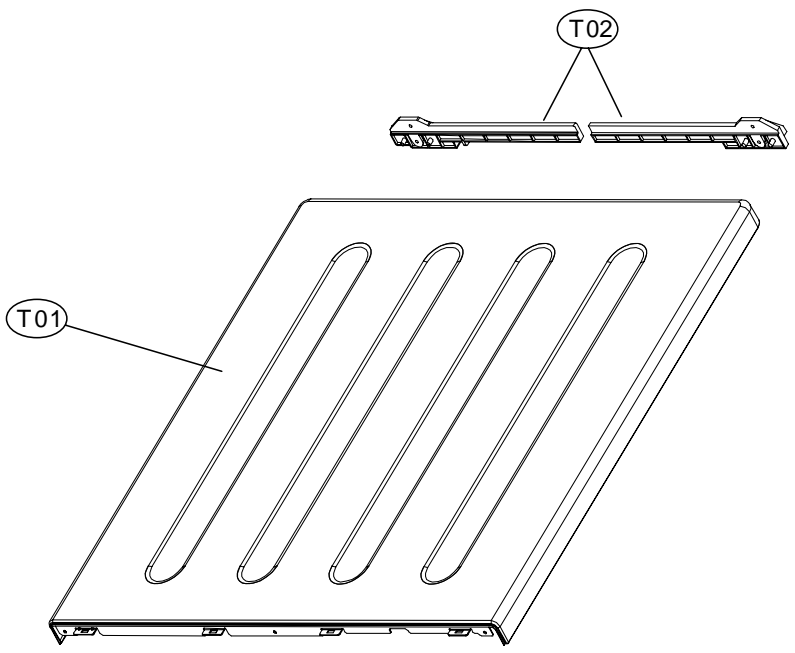


Cabinet Assembly

ASKO, TL751XXLPP - Electronical Dryer XXL (TL751XXLPP)

| Pos | Spare part No. | Description | Qty | Comment |
|-------|----------------|--------------------------|---------|--------------------------|
| C03 | 3612207900 | Front Frame Upper | 1 Pc's | |
| C04 | 3610392900 | Base | 1 Pc's | |
| C04-1 | 3613802300 | Harness Clip | 12 Pc's | Rear cabinet panel |
| C05 | 3612008000 | Panel Clip | 8 Pc's | |
| C05a | 7122401411 | Screw - Self Tapping | 8 Pc's | |
| C06 | 3617703900 | Leveling Leg - Front | 2 Pc's | |
| C07 | 3617704000 | Leveling Leg - Back | 2 Pc's | |
| C08 | 3611428010 | Duct Cover | 1 Pc's | |
| C09 | PRPSSWAD40 | Main PCB - Elec. Dryer | 1 Pc's | |
| C10 | 3612797000 | Harness - Power Main PCB | 1 Pc's | |
| C11 | 3611428100 | Terminal Block Cover | 1 Pc's | |
| C11a | 7112401411 | Screw-Self Tapping | 1 Pc's | |
| C12 | 36189L5A00 | Motor Unit Cmpl. | 1 Pc's | See Dryer Motor Assembly |
| C12a | 7112401411 | Screw-Self Tapping | 4 Pc's | |
| C13 | 3614413600 | Exhaust Pipe | 1 Pc's | |
| C13a | 7112401008 | Screw-Self Tapping | 1 Pc's | |
| C14 | 3611427900 | Back Cover | 1 Pc's | |
| C14a | 7112401411 | Screw-Self Tapping | 12 Pc's | |

8. TOP PANEL & Dryer Rack ASS'Y

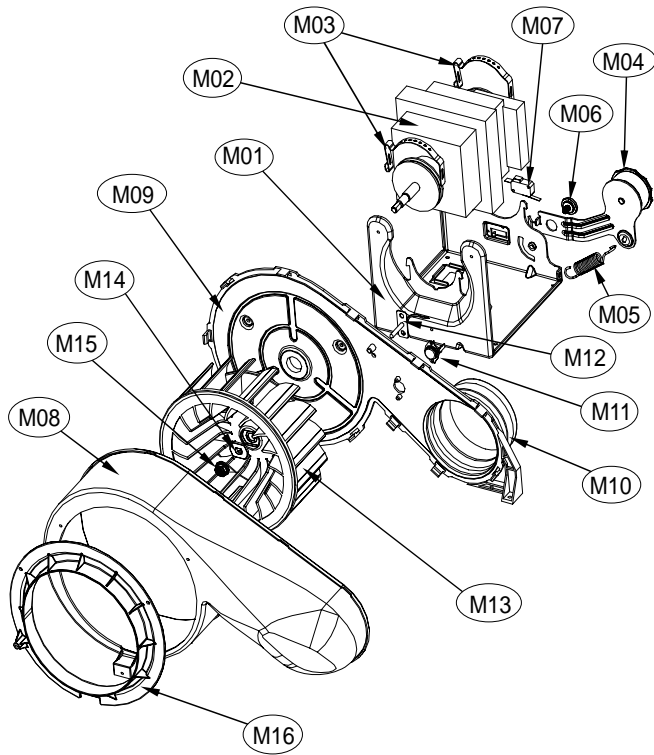


Top Panel & Dryer Rack

ASKO, TL751XXLPP - Electronical Dryer XXL (TL751XXLPP)

| Pos | Spare part No. | Description | Qty | Comment |
|------------|-----------------------|----------------------|------------|----------------|
| T01 | 3614533010PP | Top Panel | 1 Pc's | |
| T02 | 3615304100 | Top Panel Support | 2 Pc's | |
| T02a | 7122401411 | Screw - Self Tapping | 4 Pc's | |
| T03 | 36124234000 | Dryer Rack | 1 Pc's | |

2. DRYER MOTOR ASS'Y

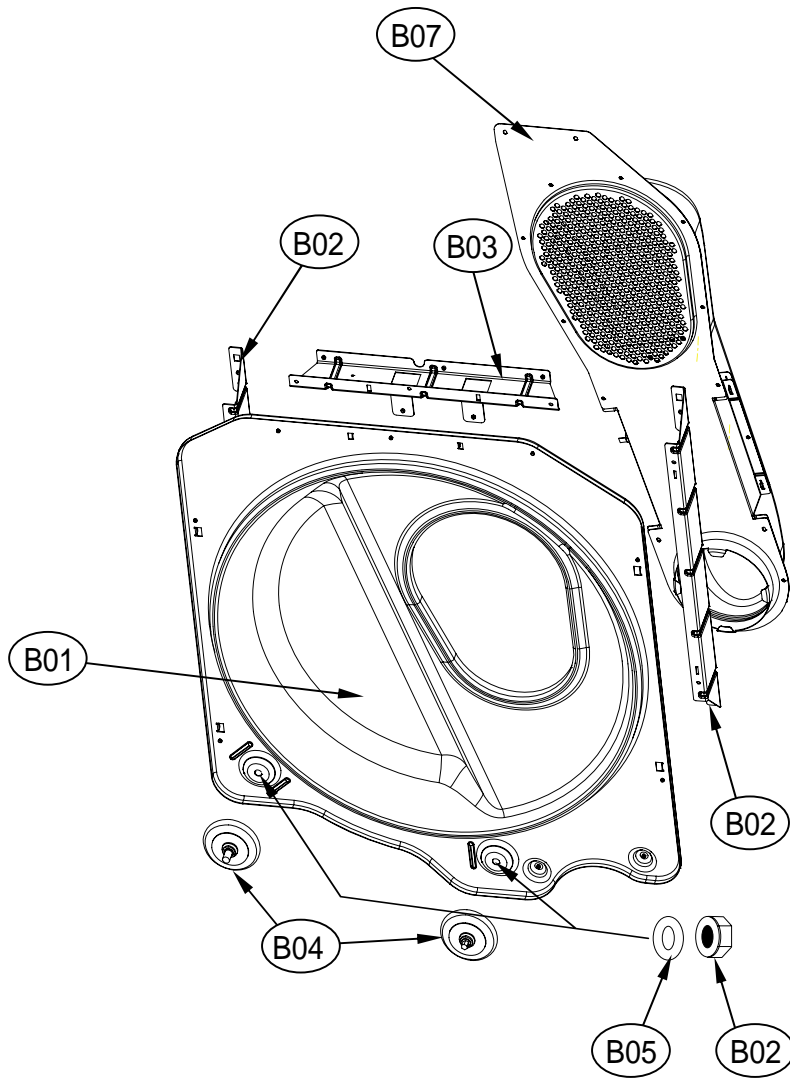


Dryer Motor Assembly

ASKO, TL751XXLPP - Electronical Dryer XXL (TL751XXLPP)

| Pos | Spare part No. | Description | Qty | Comment |
|------|----------------|---------------------------|--------|------------------|
| M01 | 3610608500 | Motor Bracket | 1 Pc's | |
| M01a | 7122401411 | Screw - Self Tapping | 4 Pc's | |
| M02 | 36189L5D00 | Dryer Motor | 1 Pc's | |
| M03 | 3611206000 | Motor Clamp | 2 Pc's | |
| M04 | 3610609100 | Idler Bracket | 1 Pc's | |
| M05 | 3615115500 | Idler Spring | 1 Pc's | |
| M06 | 3616039000 | Idler Bolt | 1 Pc's | |
| M07 | 3619047500 | Micro Switch | 1 Pc's | |
| M07a | 7121301611 | Screw-Self Tapping | 2 Pc's | |
| M08 | 3611144900 | Fan Case - Front | 1 Pc's | |
| M09 | 3611145000 | Fan Case - Rear | 1 Pc's | |
| M10 | 3612323200 | Pipe Gasket | 1 Pc's | |
| M10a | 7112401411 | Screw-Self Tapping | 3 Pc's | |
| M11 | 3619047900 | Fan T-Stat 70c on/85c off | 1 Pc's | 85C Off / 70C On |
| M11a | 7121300811 | Screw-Self Tapping | 2 Pc's | |
| M12 | 361AAAAC20 | Thermistor | 1 Pc's | |
| M12a | 7122401411 | Screw - Self Tapping | 1 Pc's | |
| M13 | 3611886200 | Fan Impeller | 1 Pc's | |
| M14 | 3616039100 | Lock Washer | 1 Pc's | |
| M15 | 3616039200 | Lock Nut | 1 Pc's | |
| M16 | 3611428200 | Fan Cover | 1 Pc's | |
| M16a | 7122401411 | Screw - Self Tapping | 2 Pc's | |

5. DRUM SUPPORT REAR ASS'Y

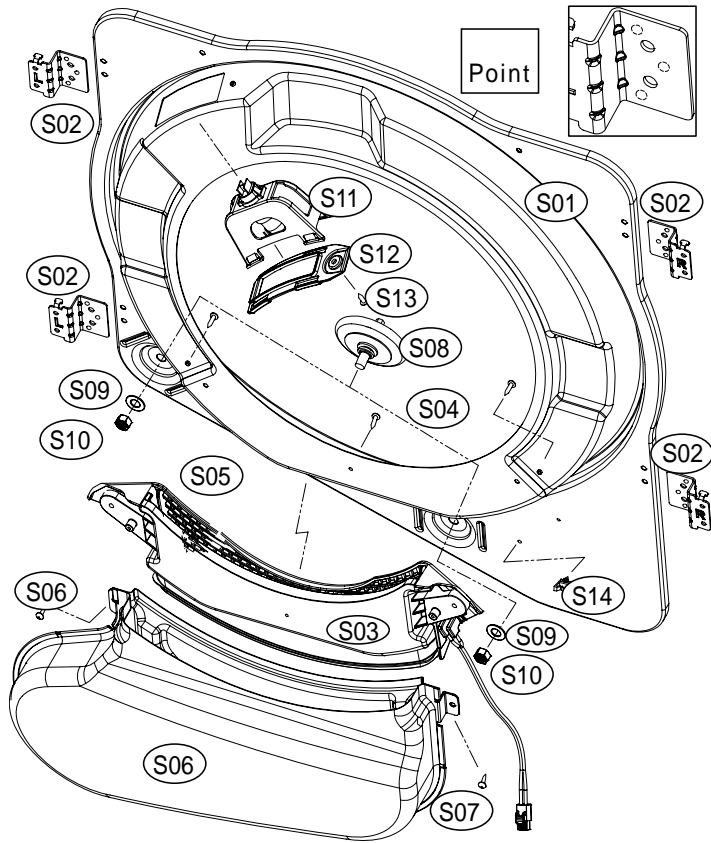


Drum Support Rear Assembly

ASKO, TL751XXLPP - Electronical Dryer XXL (TL751XXLPP)

| Pos | Spare part No. | Description | Qty | Comment |
|------------|-----------------------|-----------------------------------|------------|----------------|
| B01 | 3615304500 | Drum Support Rear | 1 Pc's | |
| B02 | 3610608810 | Support Bracket Right Side | 1 Pc's | |
| B03 | 3610608910 | Support Bracket Right Upper | 1 Pc's | |
| B03a | 7122401411 | Screw - Self Tapping | 7 Pc's | |
| B04 | 3614714400 | Drum Roller | 2 Pc's | |
| B05 | 3616039400 | Washer - Roller | 2 Pc's | |
| B06 | 3616039300 | Nut - Roller | 2 Pc's | |
| B07 | 3617510100 | Inlet Duct Assembly - Elec. Dryer | 1 Pc's | |

6. DRUM SUPPORT FRONT ASS'Y

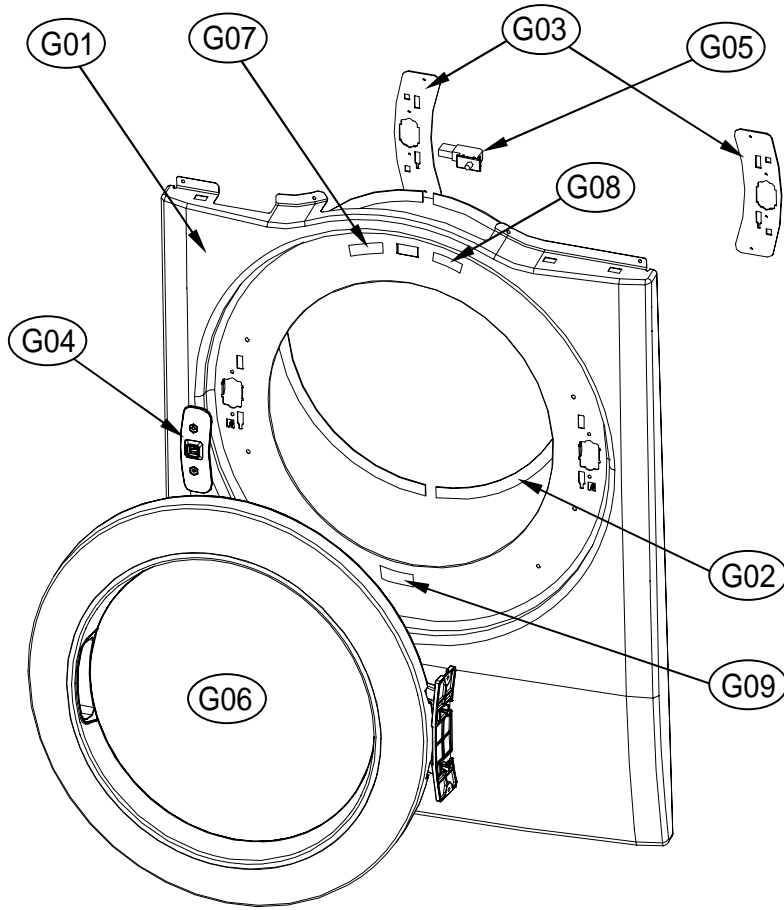


Drum Support Front Assembly

ASKO, TL751XXLPP - Electronical Dryer XXL (TL751XXLPP)

| Pos | Spare part No. | Description | Qty | Comment |
|------------|-----------------------|-----------------------|------------|----------------|
| S01 | 3615304600 | Drum Support Front | 1 Pc's | |
| S02 | 3610609000 | Support Bracket Front | 4 Pc's | |
| S03 | 3611909500 | Lint Filter | 1 Pc's | |
| S04 | 7112401008 | Screw-Self Tapping | 1 Pc's | |
| S05 | 7112401008 | Screw-Self Tapping | 2 Pc's | |
| S06 | 3617510400 | Outlet Duct Assembly | 1 Pc's | |
| S07 | 7112401008 | Screw-Self Tapping | 2 Pc's | |
| S08 | 3614714400 | Drum Roller | 2 Pc's | |
| S09 | 3616039400 | Washer - Roller | 2 Pc's | |
| S10 | 3616039300 | Nut - Roller | 2 Pc's | |
| S11 | 3613625300 | Lamp housing | 1 Pc's | |
| S12 | 3615505100 | Lamp Cover | 1 Pc's | |
| S13 | 7112401008 | Screw-Self Tapping | 1 Pc's | |
| S14 | 3613802400 | Harness Clip | 1 Pc's | |

10. CABINET FRONT ASS'Y



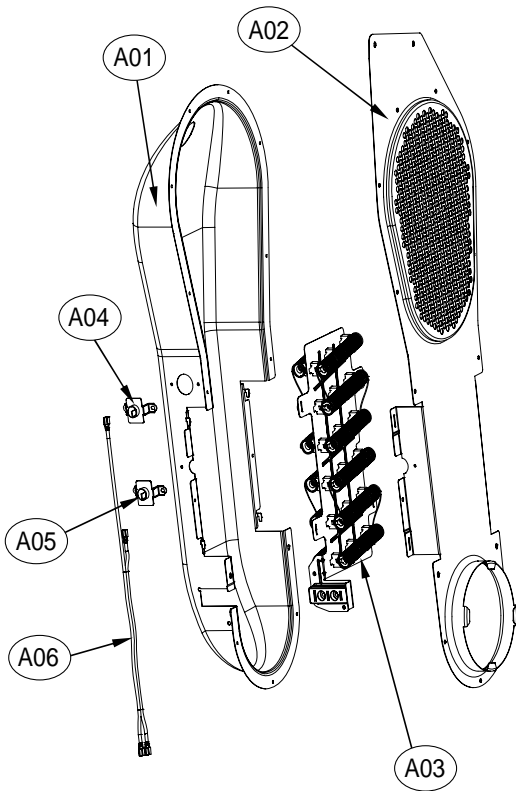
Cabinet Front Assembly

ASKO, TL751XXLPP - Electronical Dryer XXL (TL751XXLPP)

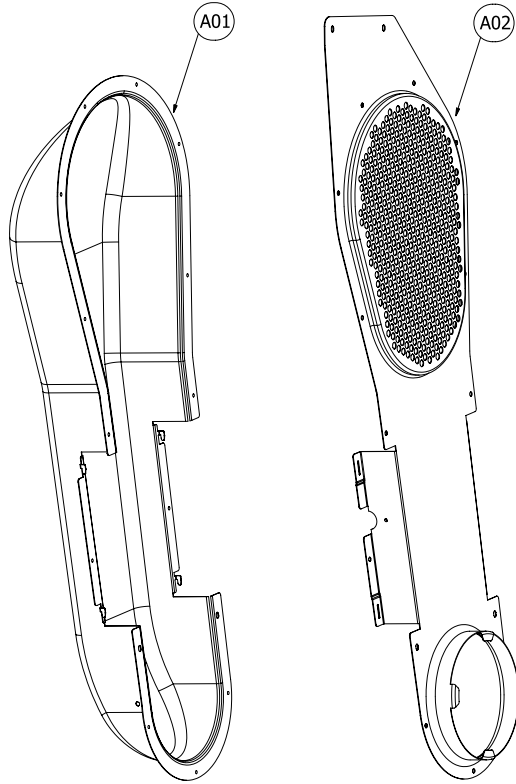
| Pos | Spare part No. | Description | Qty | Comment |
|------------|-----------------------|-------------------------|------------|-------------------------|
| G01 | 3610812500PPK | Front Panel PP w/labels | 1 Pc's | |
| G02 | 3612323300 | Front Panel Gasket | 4 Pc's | |
| G03 | 3615304400 | Hinge Support | 2 Pc's | |
| G04 | 3613802500PP | Door Lock | 1 Pc's | |
| G04a | 7122401409 | Screw-Self Tapping | 2 Pc's | For attaching door lock |
| G05 | 3619047700 | Door Switch | 1 Pc's | |
| G06 | 3616051229 | Screw - Self Tapping | 1 Pc's | |
| G06a | 3616051229 | Screw - Self Tapping | 1 Pc's | |
| G07 | 3613558800 | Warning Label | 1 Pc's | |
| G08 | 3613557600 | Caution Label | 1 Pc's | |
| G09 | 3613558900 | Rating Label | 1 Pc's | |

4. HEATER DUCT ASS'Y

4-1. Electric Type



4-2. Gas Type

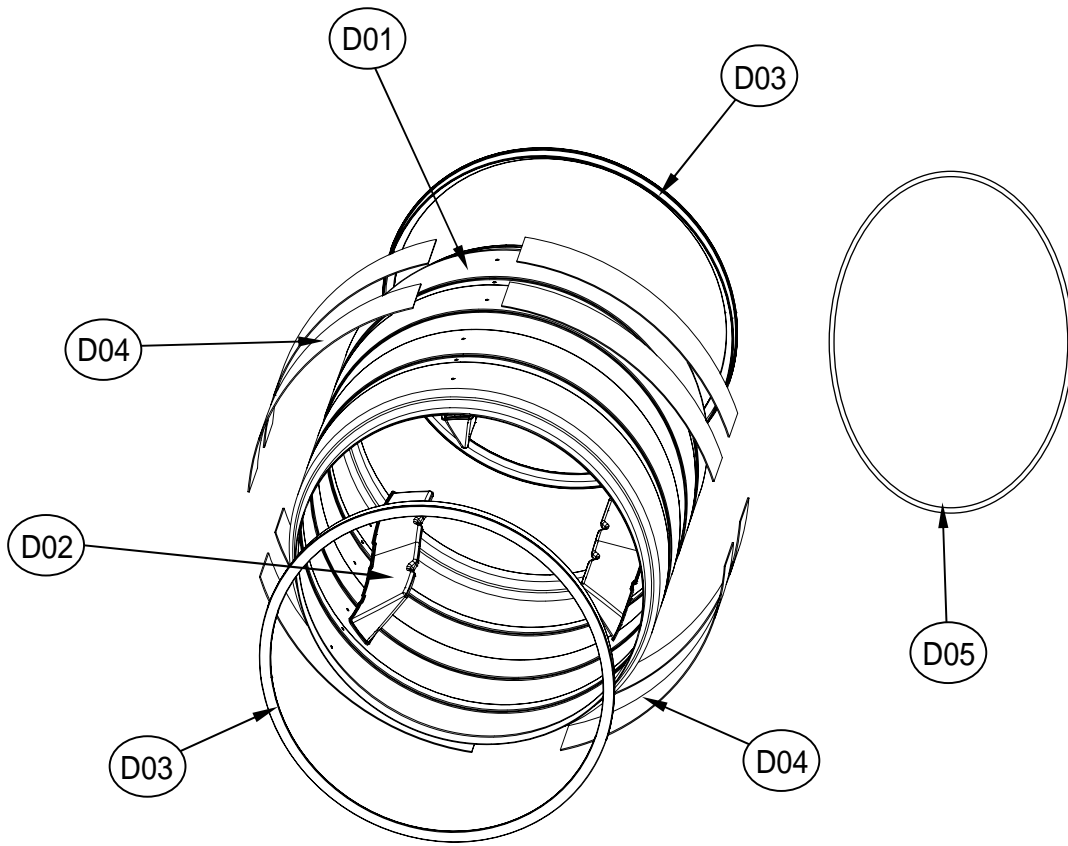


Air/Heater duct Assembly

ASKO, TL751XXLPP - Electronical Dryer XXL (TL751XXLPP)

| Pos | Spare part No. | Description | Qty | Comment |
|------------|-----------------------|------------------------|------------|--------------------|
| A01 | 3617510200 | Inlet Duct - Rear | 1 Pc's | |
| A01a | 7122400811 | Screw-Self Tapping | 12 Pc's | |
| A02 | 3617510300 | Inlet Duct - Front | 1 Pc's | |
| A02a | 7122400811 | Screw-Self Tapping | 4 Pc's | |
| A03 | 3612802500 | Heater - Dryer | 1 Pc's | |
| A04 | 3619047600 | Thermostat - Hi Limit | 1 Pc's | 125C Off / 94C On |
| A05 | 3619047800 | Thermostat Cut-Out | 1 Pc's | 140C Off / -35C On |
| A06 | 3612797100 | Heater Harness - Dryer | 1 Pc's | |

7. DRUM ASS'Y



Drum Assembly

ASKO, TL751XXLPP - Electronical Dryer XXL (TL751XXLPP)

| Pos | Spare part No. | Description | Qty | Comment |
|------------|-----------------------|--------------------|------------|----------------|
| D01 | 3617010000 | Drum | 6 Pc's | |
| D02 | 361A401000 | Drum Paddle | 3 Pc's | |
| D02a | 7122502008 | Screw-Self Tapping | 12 Pc's | |
| D03 | 3614010600 | Drum Seal | 2 Pc's | |
| D04 | 3614111110 | Drum Pad | 4 Pc's | |
| D05 | 3616591200 | Belt | 1 Pc's | |

ELECTRIC DRYER DIAGRAM

