



# Operating instructions

## DC7573/7583



# Operating Instructions

## Drying Cabinet

Save these instructions for future reference

*Dear Customer,*

*Thank you for choosing this quality product from ASKO.*

*We hope it will meet your expectations and fulfill your needs for many years to come. Scandinavian design combines clean lines, everyday functionality, and high quality. These are key characteristics of all our products and the reason they are greatly appreciated throughout the world.*

*To get the most out of your new machine, we recommend that you read the operating instructions before using it. The operating instructions also include information on how you can help protect the environment.*

**ASKO DC7573, 7583**

 **ASKO**

# Contents

<b>Safety instructions</b>	3	<b>Care</b>	23
Grounding instructions	5	Cleaning	23
Interrupting a program	5	When the drying cabinet is not used	23
Packing material	5	<b>Troubleshooting</b>	24
Disposal	5	The machine will not start	24
<b>Description of the drying cabinet</b>	6	Overheating cut-off	24
<b>Control panel</b>	7	Drying takes too long	24
<b>Assembly area</b>	8	The garments do not dry, or are too dry	24
<b>Electrical requirements</b>	9	Error messages	24
User liability	9	<b>Service</b>	25
Electrical connection	9	Service and guarantee	25
<b>Vent connection</b>	10	<b>Technical information</b>	28
Moist air can be evacuated in two ways:	10	Technical data	28
<b>Installation</b>	13	Energy consumption and drying times	29
Unpacking	13	Exhaust/Supply air	29
A complete delivery includes	13	Manufacturing standards	29
Recommended tools	13	Air gap when built-in	29
Assembly kit	14	<b>Quick guide</b>	32
Positioning	15	Fabrics	32
Level adjustment	15	Turn on the main power switch	32
Securing	15	Hang up the laundry	32
<b>Installing as a built-in cabinet</b>	16	Select a program and any options	32
Vent connection	17	Press the Start button	32
<b>Reversing the door</b>	18	Drying program finished	32
Rehanging the door	18	Once drying has finished	32
<b>Operation</b>	19		
Sort the garments	19		
Garment placement	19		
Close the drying cabinet door and switch on the main power switch.	20		
Program selection	20		
Selecting Options	21		
Press the Start button	21		
Drying program finished	22		
Once drying has finished	22		

# Safety instructions



Do you need this Use&Care Guide in spanish? Log onto [www.askousa.com/customer-care](http://www.askousa.com/customer-care) to download.  
¿Necesita esta Instrucciones de uso y cuidado en español? Entre en [www.askousa.com/customer-care](http://www.askousa.com/customer-care) y descárguesela.

SAVE THESE INSTRUCTIONS FOR FUTURE REFERENCE

## WARNING!



### RISK OF FIRE!

- To reduce the risk of fire, electric shock, or injury to persons when using your appliance, follow basic precautions, including the following:

- Read all instructions before using the appliance.
- Do not dry items that have been previously cleaned in, washed in, soaked in, or spotted with gasoline, dry-cleaning solvents, cooking oils, or other flammable or explosive substances as they give off vapors that could ignite or explode.
- Do not allow children to play on or in the appliance. Children should be closely supervised when near the appliance.
- Before the appliance is removed from service or discarded, remove the door to the drying compartment.
- Do not tamper with controls.
- Do not attempt to repair or replace any part of the appliance or perform any servicing unless specifically recommended in this guide.
- Do not use fabric softeners or dryer sheets unless the manufacturer gives written assurance that the product will not damage a drying cabinet.
- Do not heat-dry items containing: vinyl, plastic, foam rubber or similarly textured rubberlike materials, fiberglass, or wool unless wool unless the label specifies “washable”.
- Keep the area around the exhaust opening and adjacent surrounding areas free from the accumulation of lint, dust and dirt.
- The interior of the machine should be cleaned periodically by an authorized ASKO service agent.
- Do not place items exposed to cooking oils in your drying cabinet. Items contaminated with cooking oils may contribute to a chemical reaction that could cause a load to catch fire.
- A clothes dryer installation must be performed by a qualified electrician.
- Electrical installation, if required, must be done by a licensed electrician.
- Install the clothes dryer according to the manufacturer's instructions and local codes.
- Do not install a clothes dryer with flexible plastic venting materials. If flexible metal (foil type) duct is installed, it must be a specific type identified by the appliance manufacturer as suitable for use with clothes dryers. Flexible venting materials are known to collapse, be easily crushed, and trap lint. These conditions will obstruct the clothes dryer's airflow and increase the risk of fire.
- To reduce the risk of severe injury or death, follow all installation instructions.
- To reduce the risk of fire, this appliance must be vented outdoors or the equivalent. Do not vent into a chimney, a wall, a ceiling, an attic, a crawl space, or a concealed space of a building.
- Do not install or store this appliance where it will be exposed to the weather.
- Do not operate appliance while away from the home.

# Safety instructions



- The drying cabinet is manufactured and labeled for recycling. When it is no longer useful, contact your local refuse collection service for advice on how to properly dispose of the drying cabinet for recycling.
- Damaged power cables should only be replaced by a certified professional.
- Provide sufficient ventilation, otherwise smoke from open fires or fumes from equipment burning other fuels can be drawn into the room.

## **Safety**

- The drying cabinet must not be used for drying items that have been dry-cleaned at home or fabrics that may contain residues of flammable liquids.
- The drying cabinet is protected by an overheating cut-out. This shuts off the machine if the temperature gets too high.

# Safety instructions



## Grounding instructions

### Grounding instructions for a grounded, cord-connected appliance

In the event of malfunction or breakdown, grounding will reduce the risk of electric shock by providing a path of least resistance for electric current. This appliance is equipped with a cord having an equipment-grounding conductor and a grounding plug. The plug must be plugged into an appropriate outlet that is properly installed and grounded in accordance with all local codes and ordinances.

## WARNING!



Improper connection of the equipment-grounding conductor can result in a risk of electric shock. Check with a qualified electrician or service representative or personnel if you are in doubt as to whether the appliance is properly grounded. Do not modify the plug provided with the appliance. If it will not fit the outlet, have a proper outlet installed by a qualified electrician.

## WARNING!



This appliance must be properly grounded.

## WARNING!



### Do not allow children to play with the tumble dryer.

The drying cabinet does not start automatically when the door is closed (if a child pulls the door shut from the inside, for example). The door has a switch that automatically stops the drying cabinet when the door is opened. The drying cabinet door can be opened from the inside.

### Interrupting a program

You can stop a drying program by:

- Open the door. The drying cabinet will then stop automatically.
- Pressing the main power switch.
- Press the Stop button for three seconds.

When you want to resume drying, simply close the door and press the Start button.

The drying result may be too damp or too dry if the program is stopped and restarted.

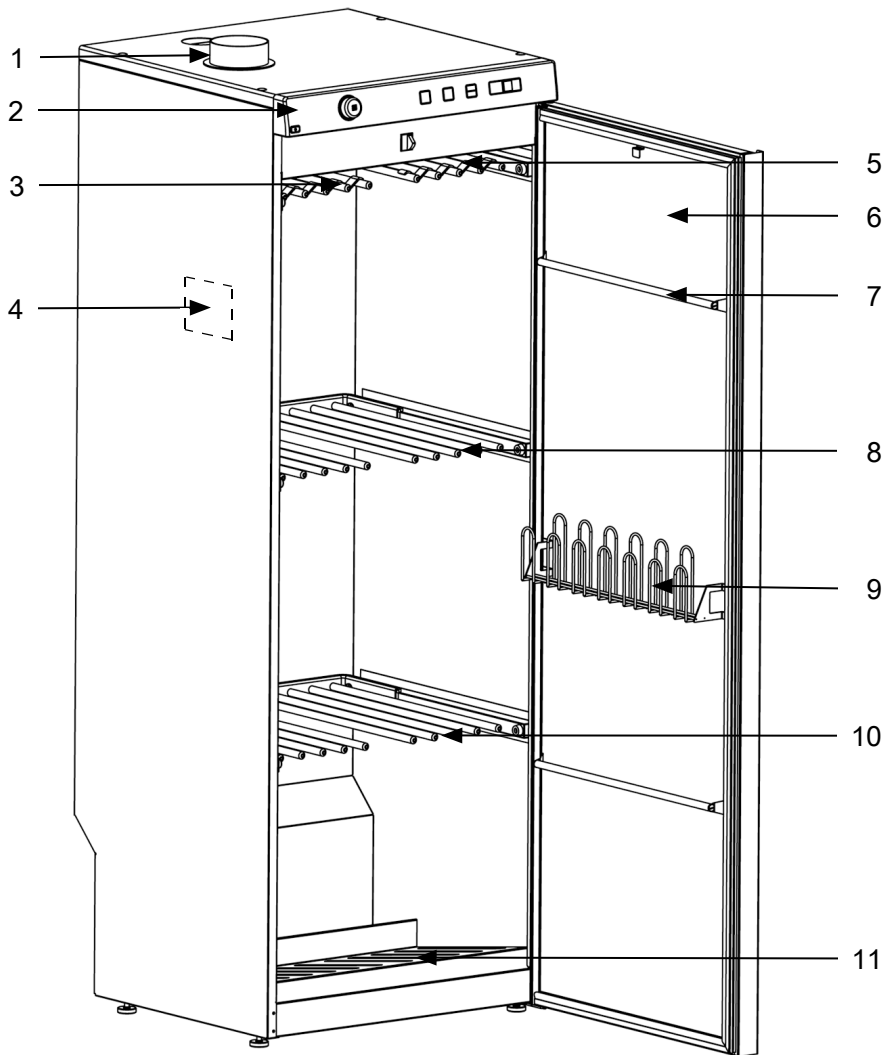
### Packing material

Please sort waste materials in accordance with local guidelines.

### Disposal

The drying cabinet is manufactured and labeled for recycling. In order to prevent personal injury, the drying cabinet must be made inoperable after deciding to take it out of service. Contact your municipality for information about where and how to recycle it.

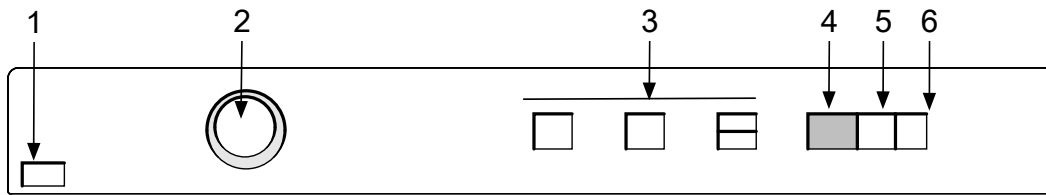
# Description of the drying cabinet



- |                                 |                                |
|---------------------------------|--------------------------------|
| 1. Connector                    | 7. Door hanger for light items |
| 2. Control panel                | 8. Middle hanger section       |
| 3. Hanging hooks                | 9. Glove hanger                |
| 4. Serial number plate (inside) | 10. Lower hanger section       |
| 5. Upper hanger section         | 11. Shoe rack (accessory)      |
| 6. Door                         |                                |



# Control panel

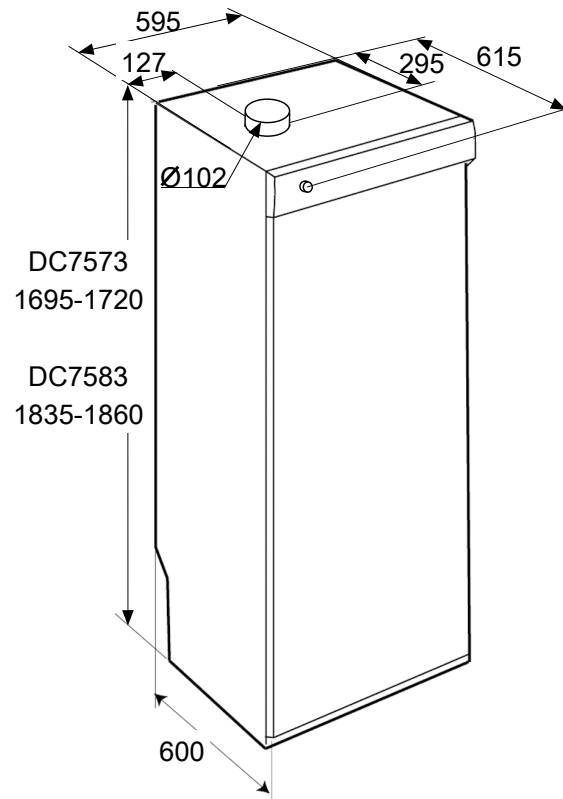


- 1 Main power switch
- 2 Program selector
- 3 Options buttons

- 4 Display window
- 5 Start
- 6 Stop

# Assembly area

- If the drying cabinet is to be connected to exhaust air ventilation, the building must have such ventilation.
- An earthed power outlet must be available within 79" (2 m) of the top of the drying cabinet. The drying cabinet has a 79" (2 m) long earthed cable and plug connected at the top. The power outlet must be positioned so that an extension cord is not necessary.
- The power socket should be easy to reach once the drying cabinet has been installed. This also applies when the drying cabinet is installed in a recess or the like. See the "Electrical installation" section.
- The floor where the cabinet is to stand must support a weight of about 132 lb (60 kg).
- The floor must be flat with a maximum drop of 1,0" (2.5 cm) below the cabinet.
- The drying cabinet is only intended for installation indoors with a temperature over 32 °F (0 °C).
- The drying cabinet must not be placed in environments where high-pressure washers are used for cleaning.



# Electrical requirements

## User liability

It is the responsibility of the user to contact a qualified electrician if a power outlet as described in this manual is not available.

## WARNING!



- Connect to a power outlet with a protective earth.
- Do not disconnect the earth connection.
- Do not use an adapter.
- Do not use an extension cord.

## Electrical connection

- Connect to an individual branch circuit. Minimum 16 AWG required and 15 amps overcurrent-protective device.
- The drying cabinet is to be connected to 120V, 1-Phase, 60Hz, and a protective power outlet. The power outlet must be installed and earthed in compliance with applicable regulations.
- The drying cabinet is delivered ready for connection with a 79" (2 m) long cable with an earthed plug.
- Do not change the cable and plug supplied with the drying cabinet. If the plug does not fit the power outlet, this must be rectified by a qualified electrician.
- The drying cabinet must be connected using the supplied connection cable and must not be permanently connected!
- The power outlet must be positioned so that the plug can be unplugged when necessary.
- As standard, the connection cable is drawn out from the rear of the drying cabinet. If necessary, the connection cable can be drawn out from the top panel via the hole at the back.
- Check that the connection current corresponds with the data on the serial number plate and that the main circuit is correctly earthed in compliance with applicable standards. We recommend that the main circuit is fitted with a residual current device.
- The manufacturer waives all responsibility if the electrical connection is not made according to the method set out in these operating instructions.

# Vent connection

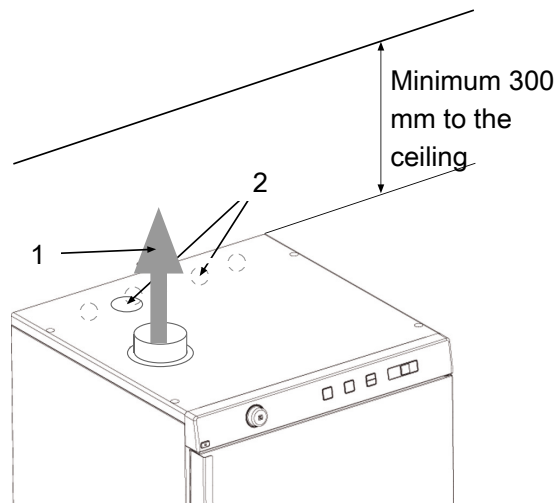
## Moist air can be evacuated in two ways:

- Exhaust air from the drying cabinet is channeled to an exhaust duct or an outlet in the wall using a UL-approved vent hose. Recommended!
- Ventilation out into the room where the drying cabinet stands.

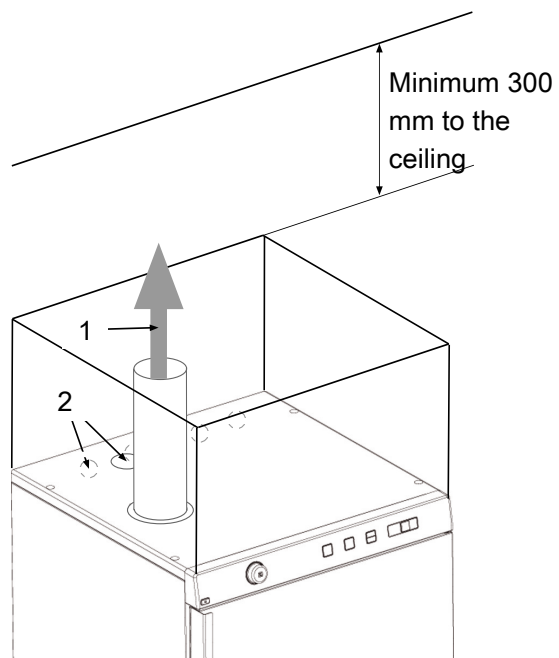
## Ventilation out into the room where the drying cabinet stands

- Preferably open a door or a window in the room for the best ventilation.
- When the drying cabinet is built-in, the supplied vent hose (some markets only) is replaced with a permanent vent pipe with a diameter of 3,9" (100 mm).
- The distance between the top edge of the vent pipe and the ceiling must not be less than 11,8" (300 mm).
- The vent pipe must reach outside the recess.
- Ensure a good air supply to the drying cabinet's air intake.
- The vent holes in the drying cabinet must not be blocked.

1. Moist air out
2. Air intake



Ventilation out into the room where the drying cabinet stands. Drying cabinet, freestanding



Ventilation out into the room where the drying cabinet stands. Drying cabinet, built-in in recess.

# Vent connection

## Connection to the exhaust duct

When the cabinet is on, 1589 ft<sup>3</sup> (45 m<sup>3</sup>) moist air/hour is evacuated. Make sure that air can enter the room to replace the moist air that has been vented.

## WARNING!



- The drying cabinet must not be connected to the duct for flue gases.

### Exhaust duct

Only a rigid or flexible metal duct shall be used for exhausting. The exhaust duct diameter both in Canada and United States shall be 4" (102mm) ridged metal exhaust duct. Run the duct with as few bends as possible.

In Canada, only those foil-type ducts, if any, specifically identified for use with the appliance by the manufacturer shall be used. In the United States, only those foil-type ducts, if any, specifically identified for use with the appliance by the manufacturer and which comply with the Outline for Clothes Dryer Transition Duct, Subject 2158A, shall be used.

The maximum length of a flexible duct is 40" (1.0m).

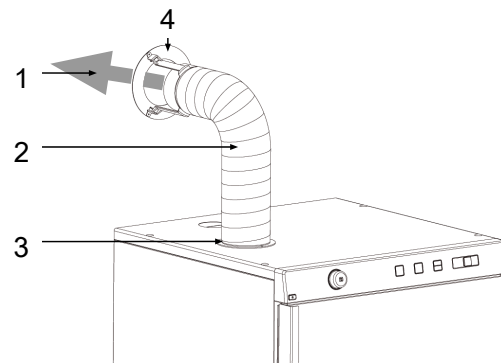
## The drying cabinet can be connected to the exhaust duct in two ways:

### With draft check

The existing valve is replaced with the draft check (supplied with the cabinet).

Do not fit valves found in the building's ventilation system inside the drying cabinet.

1. Moist air out
2. Hose (not included)
3. Connector (not included)
4. Draft check



The drying cabinet is connected to the exhaust duct using the draft check

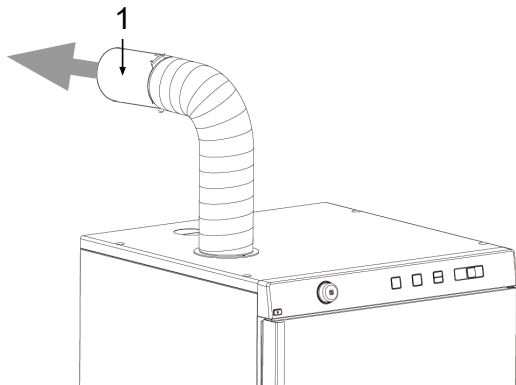
# Vent connection

## Permanently fitted to the exhaust duct (some markets only)

The exhaust air duct valve must be replaced with a transition section (not supplied).

Do not fit valves found in the building's ventilation system inside the drying cabinet.

### 1. Transition section



The drying cabinet is permanently fitted to the exhaust duct

# Installation

## Unpacking

### **WARNING!**



- The cabinet can easily tip over if not screwed into place. At least two persons should handle the drying cabinet.
- Packing material such as plastic and cellular plastic should be kept out of the reach of children. There is a risk of suffocation if small children come into contact with plastic materials.
- Remove all packing materials, but do not use sharp tools that may damage the product.
- Check that the drying cabinet has not been damaged during transport.
- After unpacking, check that the drying cabinet shows no sign of fault. Damage, faults, and possibly missing parts must be reported immediately to the dealer.

### **A complete delivery includes**

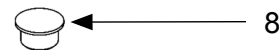
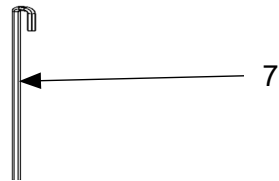
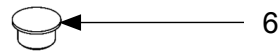
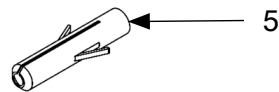
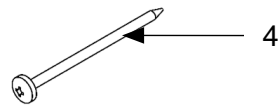
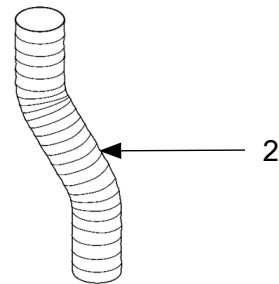
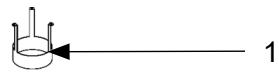
- Cabinet with fan unit
- Assembly kit
- Set of documents

### **Recommended tools**

- Spirit level
- Measuring tape
- Portable drill
- Screwdriver
- Drill bit, diam. 8 mm
- Pen
- Protective gloves (if used)

# Installation

## Assembly kit



1. Draft check (not included)
2. Vent hose (not included)
3. Connector with two securing screws, x 1
4. Securing screws for securing against wall, x 2
5. Plastic plug, x 2
6. Cover plugs for cabinet feet, x 4
7. Allen key, x 1
8. Cover plugs for securing screws, x 2



# Installation

## Positioning

1. Place the drying cabinet where it is to stand.
2. Open the door and adjust the level of the drying cabinet so that it stands firmly on all four feet.

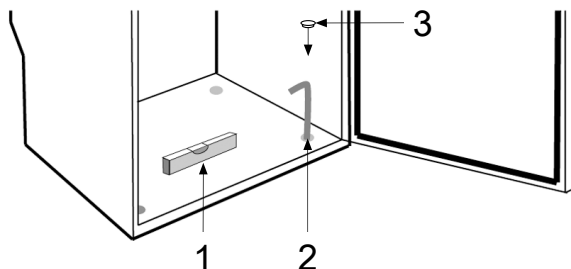
## WARNING!



The drying cabinet must be screwed to the wall. Since the cabinet is top-heavy, there is a risk of it tipping forward.

## Level adjustment

1. Use a spirit level to check that the cabinet stands level.
2. Use the supplied Allen key and adjust all four feet through the holes in the drying cabinet's bottom plate (use pliers if necessary).
3. Insert the four cover plugs (found in the document bag) in the holes.

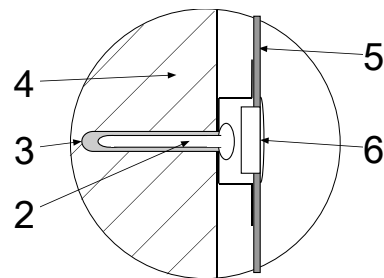
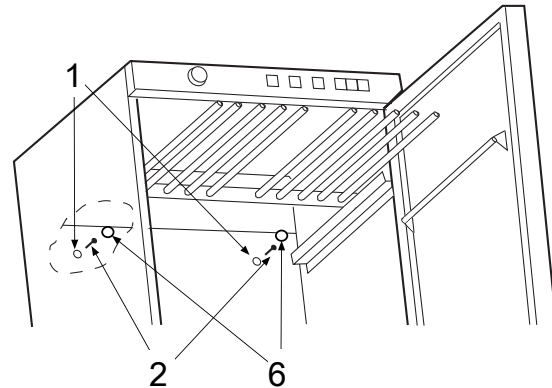


1. Spirit level
2. Allen key
3. Cover plug, x 4

## Securing

1. Place the drying cabinet where it is to stand, open the door, and pull out the top hanger section.
2. Mark the drill holes on the wall through the two pre-drilled holes in the rear panel of the drying cabinet.
3. Pull the cabinet forward and drill the holes in the wall for the securing screws. Use the enclosed plastic plugs or other anchors if necessary.

4. Slide the cabinet back into place and screw it in position with the supplied screws.
5. Fit the cover plugs.



1. Pre-drilled holes
2. Securing screws
3. Plastic plug
4. Wall behind drying cabinet
5. Rear panel of drying cabinet
6. Cover plug

# Installing as a built-in cabinet

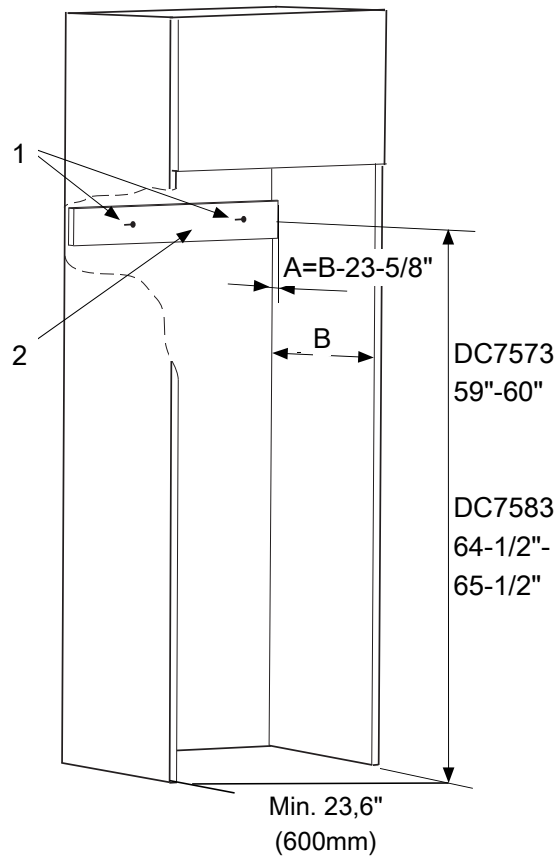


Figure 1

The drying cabinet has a depth of 23,6" (600 mm). Use screws and, if applicable, plastic plugs of a suitable length to match the material of the rear wall of the recess.

1. Measure assembly depth "B" where the drying cabinet is to be installed (see figure 1).
2. If assembly depth "B" is greater than 23,6" (600 mm), a wooden batten (2) of thickness "A" must be cut to size. The wooden batten is not supplied.
3. Slide the drying cabinet into position so that the front aligns with the front of the recess. Keep the door closed.
4. There should be an air gap of at least 0,4" (10 mm) above the drying cabinet (see figure 2) in order to ensure optimum drying performance from the cabinet.

5. Open the door. Align the drying cabinet horizontally by following the instructions in the "Level adjustment" section.
6. Pull out the top hanger section and use a pen to mark the position of the hole on the wall behind.
7. Slide the hanger section back in, close the door, and pull out the drying cabinet again. If assembly depth "B" is the same as the depth of the drying cabinet, you can jump straight to step 10 below.
8. Cut a wooden batten (2) of thickness "A" and with a length of 19,7-22,6" (500-575 mm). It must be as thick as the difference between assembly depth "B" and 23,6" (600 mm). If assembly depth "B" is 24,4" (620 mm), batten thickness "A" must be 0,8" (20 mm).
9. Screw the wooden batten into position with two screws (1) on the wall behind the drying cabinet at the same height as the marked holes, as set out in step 6.

## NOTE!

Do not position the screws for the wooden batten in the same location as the holes marked on the wall for securing the drying cabinet. Ensure that the wooden batten is screwed firmly to the wall.

10. Plug the cable into the power outlet to ensure that the cable is not pinched and that the plug is easily unplugged.
11. Slide the drying cabinet into the recess. Make sure the rear panel of the drying cabinet is up against the wall or the wooden batten (2) at the back of the recess. Also check that the front of the drying cabinet aligns with the sides of the recess.
12. Pull out the top hanger section and screw the cabinet into position using the supplied securing screws, then fit the cover plugs (see figure 3).

# Installing as a built-in cabinet

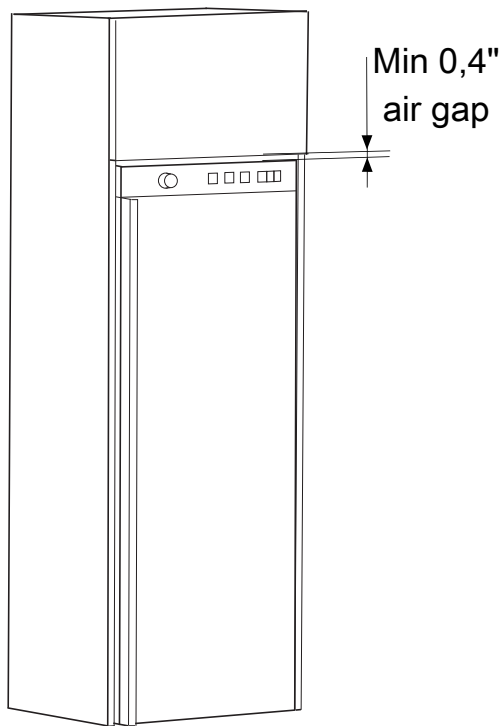
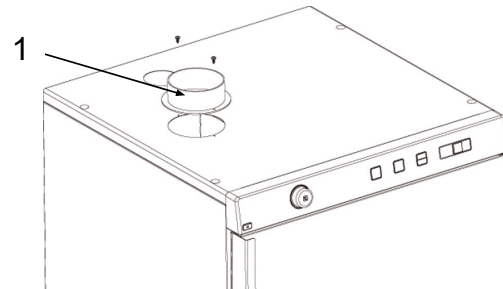


Figure 2

## Vent connection

If the drying cabinet is built-in, fit the connector through the vent opening in the top section of the recess. The drying cabinet is then installed where it is to stand.

1. Place the connector over the hole in the drying cabinet's top panel, align the screw holes, and secure the connector.
2. Connect the fixed vent pipe if the drying cabinet is built-in, or attach the supplied (some markets only) flexible hose. Also see the "Ventilation options" section.



1. Connector

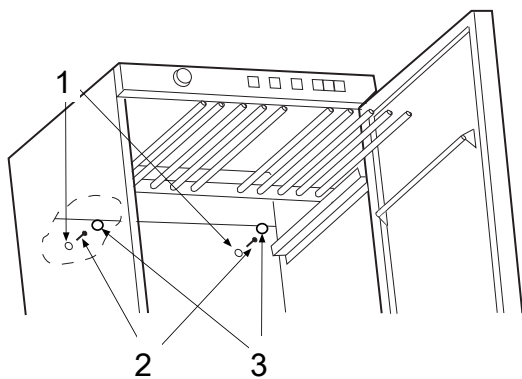


Figure 3

1. Pre-drilled holes
2. Securing screws
3. Cover plugs

# Reversing the door

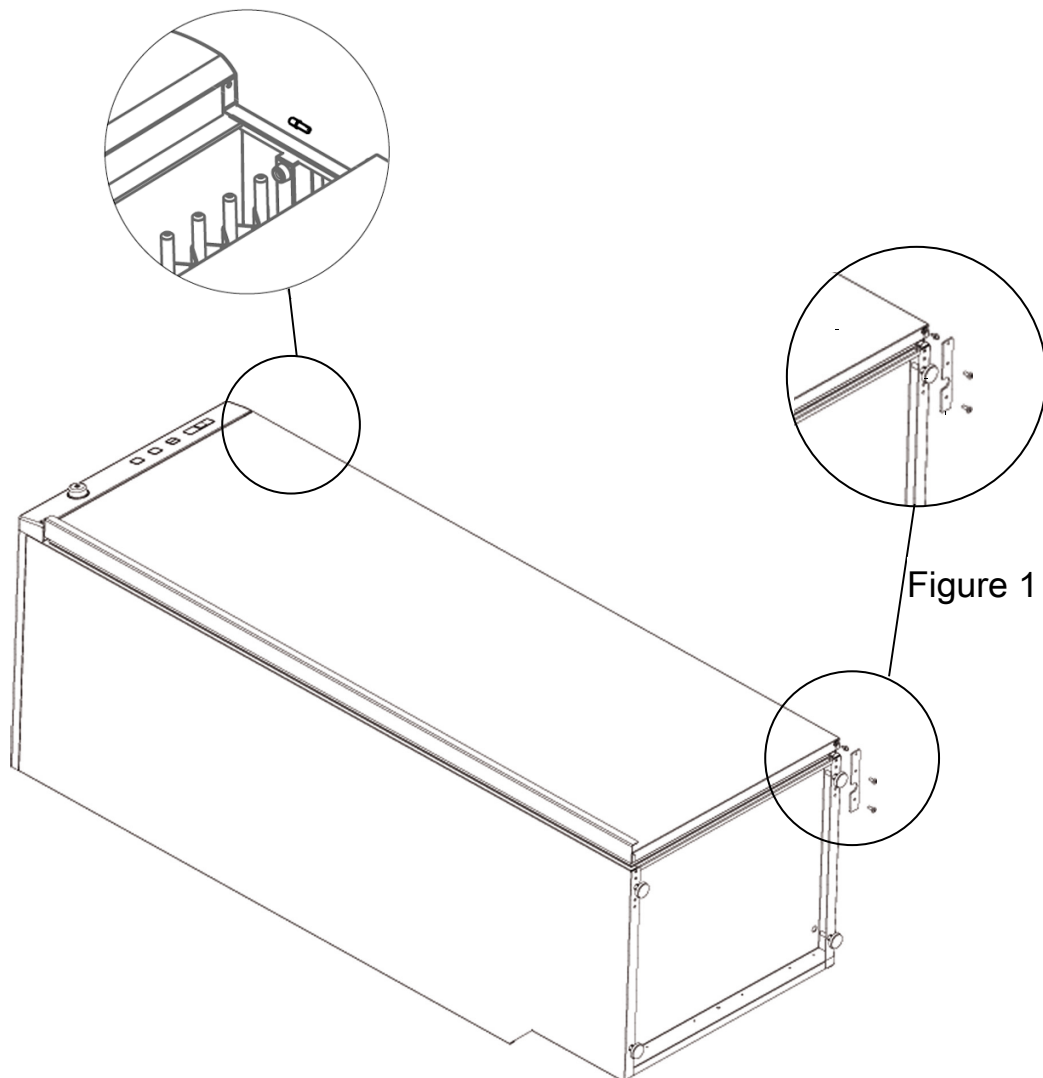
## WARNING!



Be aware of the risk of strain injuries. At least two persons should handle the drying cabinet.

### Rehanging the door

1. Place the drying cabinet on its back.
2. Loosen the hinge plate, see figure 1.
3. Lift off the door, loosen the glove hanger, and loosen the switch plate from the main power switch. Turn the glove hanger a half-turn and replace it in the same mounting hole.
4. Move the switch plate to the other side of the door.
5. Loosen the rivet on the hinge plate and move it to the opposite side.
6. Loosen the hinge pin on the upper hinge and move it to the opposite side.
7. Rotate the door, align the rivet, and secure the hinge plate.



# Operation

## WARNING!

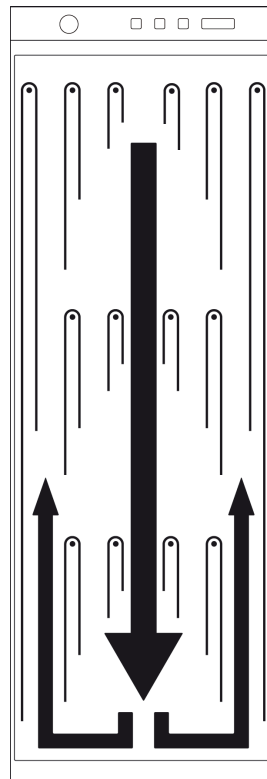
To reduce the risk of electric shock or injury to persons, read the "Important Safety Instructions" section before operating this appliance.

## 1 Sort the garments

- Remove any dry garments from the drying cabinet to reduce the drying time for the remaining garments.
- Attempt to dry garments of the same type of fabric to produce an even drying result. Otherwise, with a mixed load, there is a risk that the garments will not dry.

## 2 Garment placement

- The cabinet has three sections with extendable hangers. Each section has a number of hangers on which to hang garments.
- Do not place garments horizontally on the hangers.
- Hang long garments closest to the cabinet walls and short garments in toward the center. This improves the drying result.
- Fold up the two lowermost hanger sections when drying long garments.
- Hang gloves, hats, scarves, and the like on the hanger strips on the inside of the door.
- Pull the hanger hooks on the upper hanger section forward to hang garments on them. Push these hooks back when not in use.
- Do not overload the drying cabinet. Garments become wrinkled and the drying result uneven. If possible, it is better to leave some space between garments.
- If there is a risk that some garments may run, you should leave space around them.
- Avoid drying heavy articles of clothing with light garments, as they have very different drying times.



The drying result is mainly dependent on how the garments are hung. The illustrations above show the airflow in the drying cabinet. If the airflow in the middle of the drying cabinet is obstructed or blocked, this can impair the drying result. Zones can be formed in the dryer cabinet where garments will not dry.

When the cabinet is cold, the door seals may not close completely. However, this is fully rectified when the cabinet heats up and the door seals expand.

## WARNING!



Read the safety instructions before using the cabinet.

# Operation

**3** Close the drying cabinet door and switch on the main power switch.

## **4** Program selection

Always follow the garment's washing instructions if these are stated. Select the program to suit the most delicate garment. If a softener or antistatic agent are used when laundering, the manufacturer's instructions for the use of these products must be followed.

You select a program by turning the program selector. An LED lights up beside the selected program. Select the desired options with the option buttons. Press the Start/Stop button to start.

Drying results depend on, among other things, the ambient temperature, ventilation of the drying room, and how the garments are hung. Use trial and error to find out which program works best.

Guidelines as to what specific programs can be used for:

### **Auto extra dry**

This program is for garments that are particularly difficult to dry, such as jeans with very thick seams.

### **Auto dry**

Switches off the heat just before Auto extra dry. Use trial and error to find out what works best. Use one of these two programs when you want garments to be completely dry.

### **Auto normal dry**

These programs shut off the heat once the garments are dry, but not "bone-dry".

### **Warm towels**

Program to heat garments or fabrics to a comfortable temperature in an energy-efficient manner, only a little energy is needed to maintain the heat. Just imagine a warm dressing gown – or warm ski boots, hats, and gloves in the winter.

# Operation

## **Timed dry**

Drying with heat. You can set a custom drying time. Recommended when drying shoes and boots or the like. Select the time by pressing the button with the clock symbol. The time is shown on the display. Max. six hours drying time.

## **Cold dry**

Drying without heat. You can set a custom drying time. Select the time by pressing the button with the clock symbol. The time is shown on the display. Max. twelve hours drying time.

## **5 Selecting Options**

By selecting options, you can tailor drying programs to suit the particular garments being dried. The machine remembers which options you choose for each program and uses them (with one exception: Delayed Start) the next time you select the same program.

## **Temperature**

You can choose a lower temperature with all programs except Cold dry.

- Select a lower temperature by pressing the button next to the symbol
- The lamp next to the button lights when this option is selected.

## **Air Fluff**

This option will cause the fan to run for three seconds each minute for two hours once the drying program has finished. The option is recommended when you are unable to remove the clothes from the drying cabinet right after drying. Cannot be selected with Cold dry.

- Select Air Fluff by pressing the button next to the symbol.
- The lamp next to the symbol lights when Air Fluff is selected.

## **Time Saver**

The program is shortened by about 12 minutes. You can choose Time Saver with all programs except Air Fluff.

- Press the button next to the symbol.
- The lamp next to the symbol lights when Time Saver is selected.

## **Delayed Start**

First select which program you want to use and then select Delayed Start by pressing the button next to the symbol. The display shows Delayed Start in whole hours. Press the button to select a delayed start of 1 to 24 hours. The lamp next to the button lights when Delayed Start is selected. Press the Start button and the machine will count down 1 hour at a time, starting after the selected delay. This option cannot be used with the Timed Dry and Air Fluff programs.

## **6 Press the Start button** **Remaining drying time**

An estimate of the remaining drying time will be shown on the display a few minutes after the drying program starts. For example, "1:35" means it will take approximately 1 hour and 35 minutes for the garments to dry.

The actual remaining time may be longer than the estimated time shown on the display. The remaining time is then shown as "0:15" until the garments are sufficiently dry. If you selected Time Saver, the display will show "0:05" instead.

### **Stopping or changing a program**

Press and hold the Stop button for three seconds.

#### **NOTE!**

The program will not be affected if you change the program selector after the program has started.

# Operation

## **Adding or removing garments**

You can stop the drying cabinet after starting a program by opening the door. Hang or remove garments, close the door again, and press the Start button. A new estimate of the remaining program time will be displayed after a few minutes.

## **7 Drying program finished**

The text "End" appears on the display when the program is finished.

## **Backlighting**

Two minutes after the drying program finishes the backlighting on the display and option buttons enters energy saving mode.

## **8 Once drying has finished**

Turn off the main power switch. Remove the clothes and close the door to prevent small children from climbing into the machine.



# Care

## Cleaning

High-pressure washers must not be used!

- The cabinet panels can be cleaned using a mild soap solution and a damp cloth.
- Dust collects easily around the air intake on top of the cabinet. This can interfere with the cabinet's operation and possibly cause problems.
- In order to avoid such problems, vacuum around the air intake and the top of the cabinet at least once a year or more frequently, depending on where the cabinet is installed.

## When the drying cabinet is not used

For shorter or longer periods

Always unplug the drying cabinet.

When the cabinet is to be moved

1. Pull out the plug.
2. Secure the door using strong tape.

# Troubleshooting

## The machine will not start

Check

- that the door is closed properly.
- that the main power switch is on.
- that the machine is not programmed to start at a specific time (e.g., 13:30)
- that any plug is connected.
- that the fuses (circuit breakers) in your house are intact. Flip the dryer breaker off and then back on to make sure. You can not always tell from the outside if the circuit breaker has tripped.
- that the overheating cut-off has not been triggered (see below).

## Overheating cut-off

The overheating cut-out shuts off the drying cabinet if the temperature is too high.

- The overheating cut-off will reset automatically once the machine has cooled down.

## Drying takes too long

- Poorly spun or very wet laundry.
- The drying cabinet is positioned in an area where the ambient temperature is too low.

## The garments do not dry, or are too dry

- The door has been opened while the program is running, which disrupts the moisture monitoring function.
- The garments may not have been hung correctly, obstructing the air flow. See "Garment placement" in the "Operation" chapter.
- Wrong program selected, choose another program, see the "Operation" chapter.
- Poorly spun laundry or very wet laundry.
- The vent pipe/hose is too long. The length should not exceed 39" (1 m).
- Normal operation requires installation in a room with a temperature above 32 °F (0 °C).

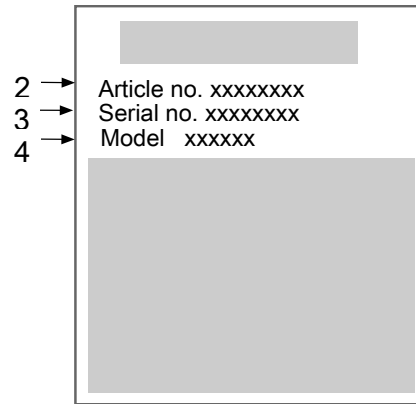
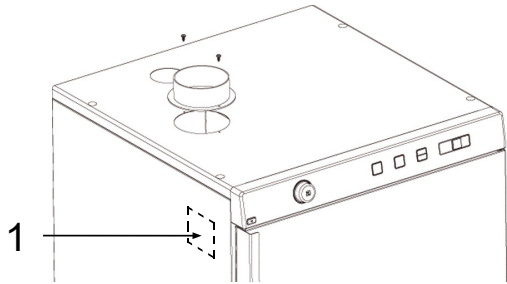
## Error messages

If F2 flashes on the display, the maximum permitted program time has been reached. Read "Drying takes too long" in the "Troubleshooting" chapter to find out what to do.

# Service

Make sure you know the model designation, type designation, and serial number before contacting the Customer Care Center.

The model designation and serial number can be found on the serial number plate, which is found on the inside of the cabinet.



1. Serial number plate (on inside of drying cabinet)
2. Article number
3. Serial number (12 digits)
4. Model

## Service and guarantee

# Service

It is important to register your product warranty by logging on to [www.askousa.com/customer-care/registration](http://www.askousa.com/customer-care/registration) and filling out all required fields within 90 days from the date of purchase. After doing so, you will be e-mailed a certificate that will extend the original warranty for one additional year. If you do not have access to the internet, complete the warranty card included with the product and mail it to the address on the warranty card within 90 days from the date of purchase. Cosmetic damage must be reported to your dealer within five days from the date of purchase. After unpacking the drying cabinet, thoroughly check the unit for cosmetic damage.

For residential installations only	ASKO Appliances Inc. will pay for:
Length of warranty Two-Year Full From date of purchase.	ASKO replacement parts and/or repair labor to correct defect in materials or workmanship. Service must be provided by an authorized ASKO service agent.
Third Year Full Complete your product warranty registration online at <a href="http://www.askousa.com/customer-care">www.askousa.com/customer-care</a> within 90 days from the date of purchase to extend the original warranty one additional year. If you do not have access to the internet, complete the warranty card included with the product and mail it to the address on the warranty card within 90 days of the date of purchase.	ASKO replacement parts and/or repair labor to correct defect in materials or workmanship. Service must be performed by an authorized ASKO service agent.
<b>For non-residential installations One-year Full Warranty</b> From date of purchase.	ASKO replacement parts and/or repair labor to correct defect in materials or workmanship. Service must be provided by an authorized ASKO service agent.

# Service

## Warranty

### **ASKO Appliances Inc. will not pay for:**

Service calls to:

1. Correct the installation of the appliance.
  2. Repair damage due to shipment, delivery, installation, misuse or abuse.
  3. Instruct how to use the appliance.
  4. Replace house fuses or correct house wiring.
  5. Correct house plumbing, including drainage problems related to improper installation.
  6. Clean or service air device in drain line.
- Repair and/or replacement parts for failure of product if appliance is used for other than home/residential use.
  - Damage resulting from accident, fire, floods, acts of God, alteration, misuse, abuse, improper installation, or installation not in accordance with local electrical or plumbing codes.
  - Any shipping costs for parts during the limited warranty period.
  - Replacement parts or repair labor costs for units operated outside the continental United States.
  - Pickup and delivery. ASKO drying cabinets are designed to be repaired in the home.

### **In no event shall ASKO Appliances Inc. be responsible for any incidental or consequential damages.**

Some states will not allow the exclusion or limitation of incidental or consequential damages, so this exclusion or limitation may not apply to you. This warranty gives you specific legal rights and you may also have other rights which vary from state to state.

### **For warranty service, contact our Customer Care Center at the number listed below.**

Before calling for service or contacting ASKO Appliances Inc. regarding a warranty issue, make a note of the model, type name, and serial number.

### **How to contact ASKO Appliances Inc.**

#### **Write to us at:**

ASKO Appliances Inc.  
P.O. Box 940609  
Plano, TX 75094-0609  
[www.askousa.com](http://www.askousa.com)

#### **Or contact our**

Customer Care Center at  
1-800-898-1879  
[www.askousa.com](http://www.askousa.com)

# Technical information

## Technical data

Capacity:	approx. 7,5 lb wash (cotton)	
Dehumidification:	Up to 21 gram (1 oz)/min	
Electrical connection:	1-Phase, 120V, 60Hz, 15A	
Motor:	35 W	
Heater output:	1400W	
Overheating protection:	Yes	
Fan capacity	6358 ft <sup>3</sup> (180 m <sup>3</sup> )/hour	
Hanger length:	630" (16 m)	
Size:	Height	DC7573: 66,9" (1700 mm) DC7583: 72,4" (1840 mm)
	Adjustable	DC7573: 66,7" (1695 mm)-67,7" (1720 mm) DC7583: 72,2" (1835 mm)-73,2" (1860 mm)
	Width	23,4" (595 mm).
	Depth	23,6" (600 mm) without handle, 24,4" (620) with handle.
Weight:	approx. 137 lb (62 kg)	
Color:	White, titanium, or gray	
Sound level:	max. 56.5 dB(A) (IEC60704-2-6)	

# Technical information

## Energy consumption and drying times

Drying of spun laundry \*)

Settings	Energy consumption	Drying time in hrs:min	Heat
Auto normal dry, normal temperature.	0.6 kWh/kg	1:10	normal temperature
Auto normal dry, low temperature.	0.3 kWh/kg	1:00	low temperature
Cold dry	0.06 kWh/kg	8:00	-

\*) Stated values apply for 7,5 lb wash and 1600 rpm spin. Values vary depending on spin speed and the materials in the load.

## Exhaust/Supply air

When the cabinet is on, 1589 ft<sup>3</sup> (45 m<sup>3</sup>) moist air/hour is evacuated.

## Manufacturing standards

See the cabinet's serial number plate.

## Air gap when built-in

Minimum of 0,4" (10 mm) between the drying cabinet and the recess (above and behind the drying cabinet).

# Notes



# Notes

# Quick guide

## 1 Fabrics

- Sort and hang fabrics of the same type together to ensure they dry as evenly as possible.

## 2 Turn on the main power switch

## 3 Hang up the laundry

- Close the door.

## 4 Select a program and any options

- Turn the program selector to the desired program.
- Select any options and settings.

## 5 Press the Start button

## 6 Drying program finished

- "End" appears on the display when the program is finished. If the Air Fluff option has been selected, the fan will run for three seconds every minute for two hours after the drying program is finished.

## 7 Once drying has finished

- Turn off the main power switch and close the door.



 **ASKO**  
BUILT TO LAST LONGER