

This Owner's Manual is provided and hosted by [Appliance Factory Parts](#).



FANTECH FTC463253 Owner's Manual

**[Shop genuine replacement parts for FANTECH
FTC463253](#)**



[Find Your FANTECH Fan Parts - Select From 108 Models](#)

----- Manual continues below -----

HERO 150H-EC Fr. Air Appliance

Item #: 463253

Variant : 120V 1~ 60Hz



Description

- Up to 175 cfm of fresh air
- Integrated MERV8 fresh air filter
- 6" top-mounted duct connections
- Unobstructed front access
- Energy-efficient counter flow core
- Multiple speed operation
- Electronically commutated motors (ECM)
- TurboTouch function boosts exhaust capacity for 20, 40 or 60 minutes

While natural infiltration of fresh air through gaps and cracks in the building envelope offers a certain amount of fresh air, with most new homes this amount of air just is not sufficient. Properly sealed homes require mechanical ventilation to remove excess moisture, odors, and contaminants while providing fresh air for...

[Find more details in our online catalogue](#)

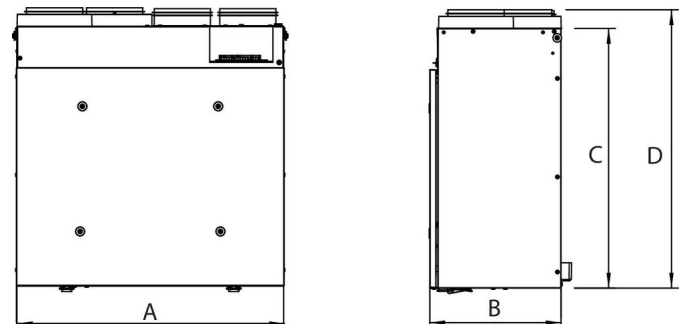
Technical parameters

Product	
Voltage (nominal)	120 V
Frequency	60 Hz
Phase(s)	1~
Input power	110 W
Input current	3 A
Air flow	max 176 cfm
Static pressure	0.4 in.wg
Certificate	CSA, HVI, ENERGY STAR
Dimensions and weights	
Weight	50.6 lb
Used for	
Installation placement	Vertical

Performances

	Supply temperature °F (°C)	Net airflow cfm (L/s)	Consumed power W	Sensible recovery efficiency %	Adjusted sensible recovery efficiency %	Latent recovery / moisture transfer	Apparent sensible effectiveness %
Heat input	32 (0)	70 (33)	30	82	84	0.02	88
	32 (0)	106 (50)	45	75	77	0.01	79
	32 (0)	170 (80)	110	70	74	0.01	77
	-13 (-25)	70 (33)	40	61	62	0.06	86

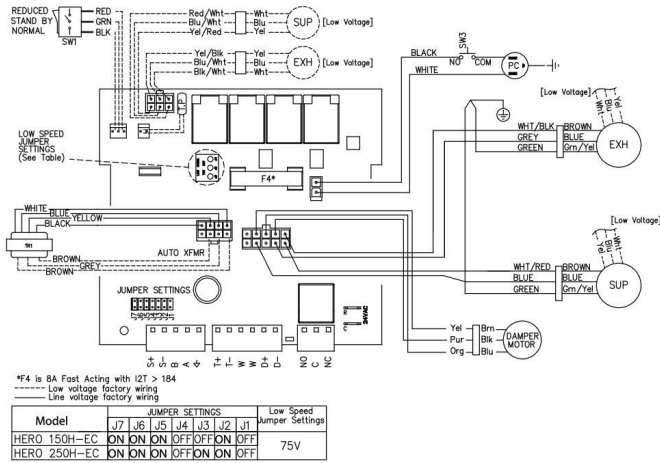
Dimensions



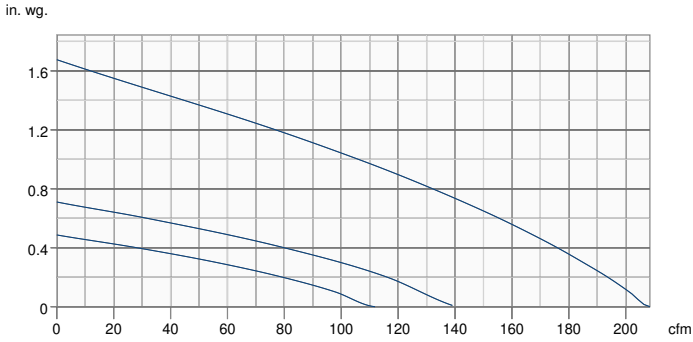
Model	A	B	C	D	Duct Size
HERO 120H	23 1/4 (590)	11 1/2 (291)	22 5/8 (575)	24 1/4 (616)	5 (127)
HERO 150H	27 7/8 (707)	13 3/8 (341)	23 (285)	24 7/8 (626)	6 (152)
HERO 200H	27 7/8 (707)	15 3/8 (391)	23 (285)	24 7/8 (626)	6 (152)
HERO 150H-EC	27 7/8 (707)	13 3/8 (341)	23 (285)	24 7/8 (626)	6 (152)
HERO 250H-EC	27 7/8 (707)	15 3/8 (391)	23 (285)	24 7/8 (626)	6 (152)

Dimensions in inches (mm).

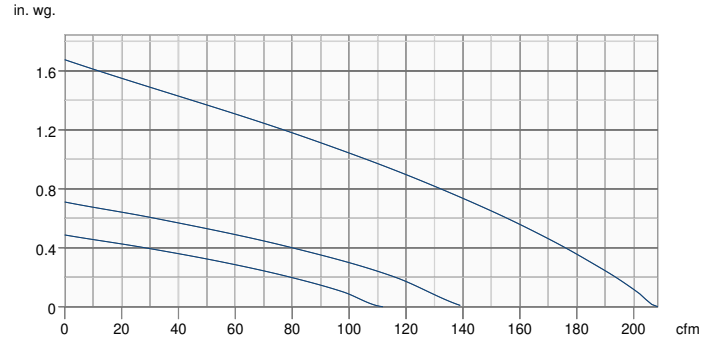
Wiring



Supply - Performance curve



Extract - Performance curve



Unit	Supply	Extract
Required air flow	-	-
Working air flow	-	-
Required external pressure	-	-
Working air pressure	-	-
Power	-	-
Current	-	-
Air density	0.075 lb/ft³	
Fan control - RPM	-	-

Accessories

CO2RT-R Transmitter (99315)
 ECO-Feel® Auto IAQ Control (414729)
 RTS-W Wireless Timer (414920)
 FIDT 6 Insulated Flex Duct (411064)
 Filter, MERV13, HERO150, Repl. kit (428548)
 MGE 6 Metal Exhaust Grill (411371)

Contractor Commissioning Kit (463311)
 ECO-Touch® Auto IAQ (414727)
 COM6P Supply and Exhaust Hoods (40222)
 Filter, HEPA, HERO150H, Repl. kit (428551)
 Filter, MERV8, HERO150H, Repl. kit (428526)
 MGS 6 Metal Supply Grill (411242)

Documents

444781 HERO 150H-EC Spec Sheet.pdf
E1934 HERO Brochure.pdf
E400061 HERO 150H-150H-EC Dimensional Submittal.pdf
428486 HERO IOM EN FR.pdf
HERO Series Spare Part List.pdf
HERO 150H - 150H-EC Dimensional Drawings.dxf