

# INSTALLATION INSTRUCTIONS

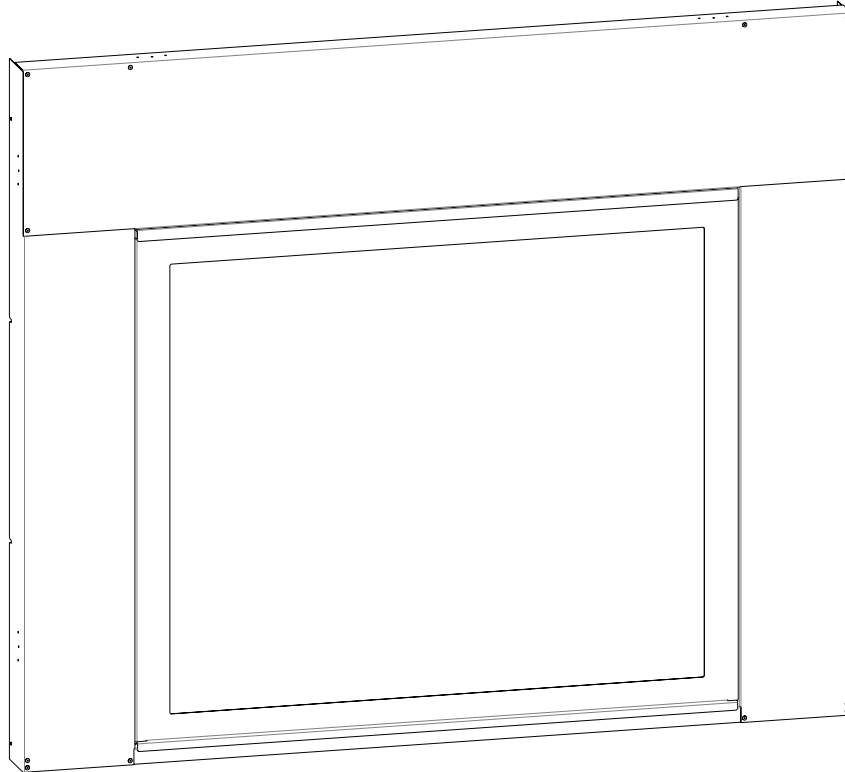
**INSTALLER:**

Leave this manual with the appliance.

**CONSUMER:**

Retain this manual for future reference.

**EXTERIOR  
DECORATIVE FRONT  
DFED409SS  
USED WITH DVCT40SP MODELS**



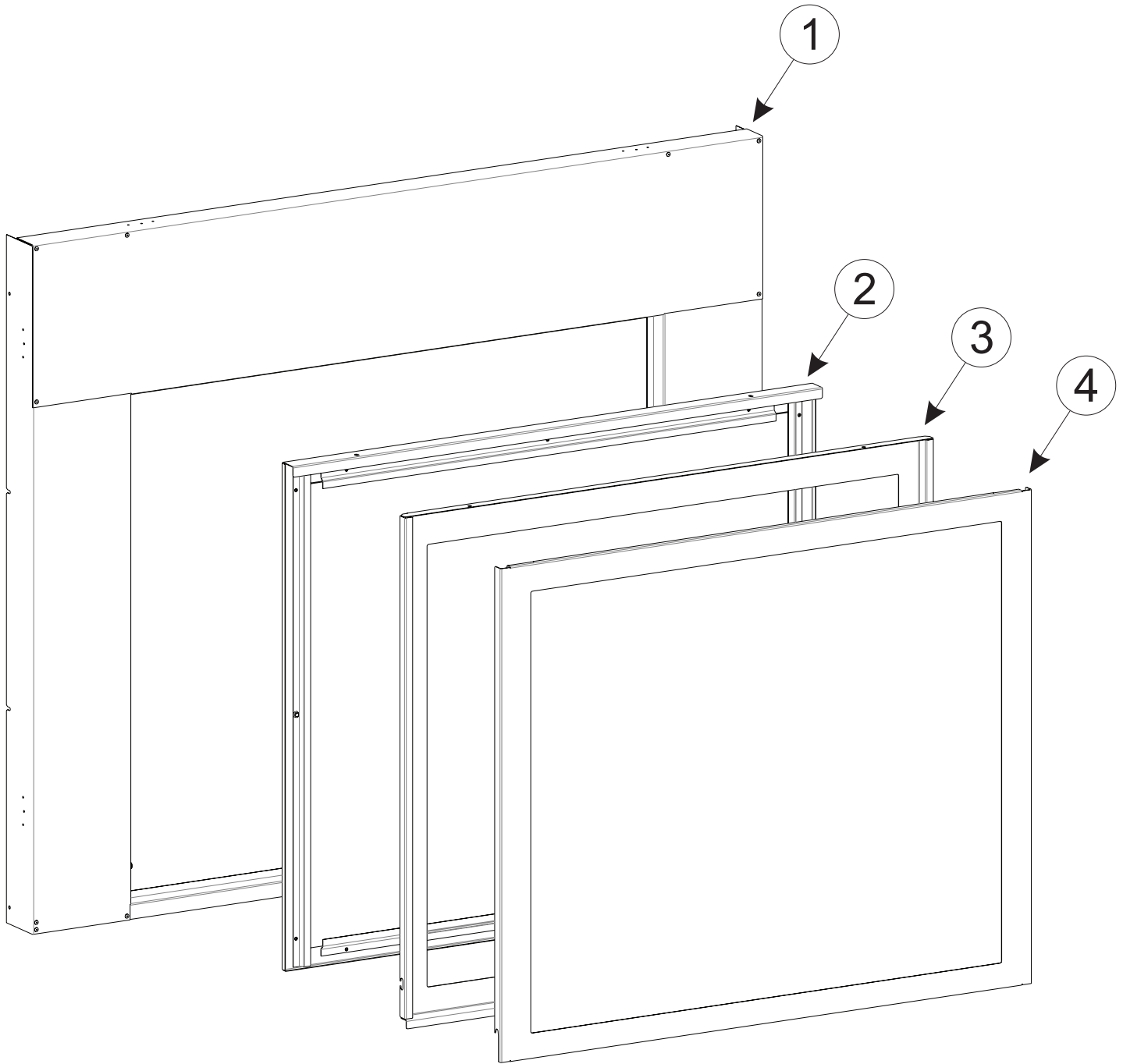
**⚠ WARNING**



**HOT GLASS WILL  
CAUSE BURNS.  
DO NOT TOUCH GLASS  
UNTIL COOLED.  
NEVER ALLOW CHILDREN  
TO TOUCH GLASS.**

# CARTON CONTENTS

## CARTON ASSEMBLY CONTENTS



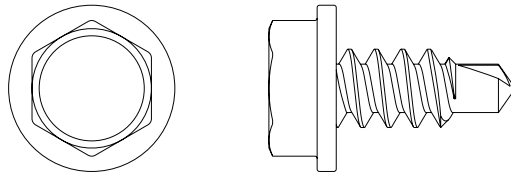
Items not shown to scale.

Index Number	Description	Quantity Supplied	Replacement Part Numbers
1	Face Assembly	1	40664
2	Inner Frame Assembly	1	40666
3	Outer Frame	1	40658
4	Screen Assembly	1	40667

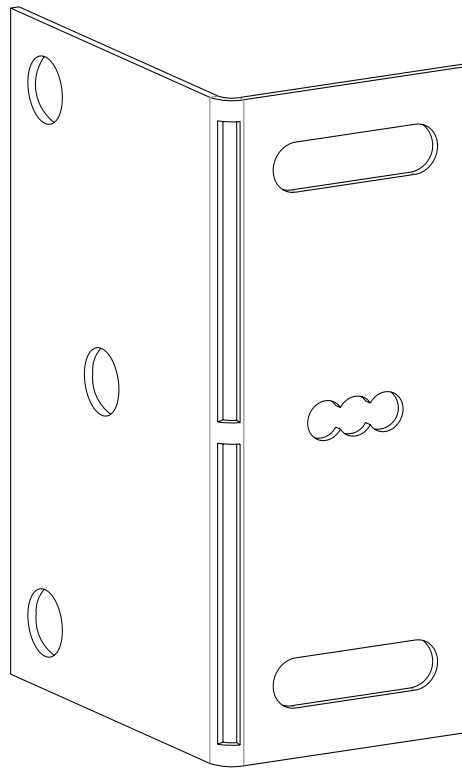
For hardware pack contents, see page 3.

# HARDWARE PACK

## HARDWARE PACK CONTENTS



SCREW, 10 X 1/2 HWH SELF-DRILL 410 STAINLESS



NAILING FLANGE

Items not shown to scale.

Description	Quantity Supplied	Part Number
Screw, 10 X 1/2 HWH Self-Drill	18	B101569
Nailing Flange	6	40660

# INTRODUCTION

## INSTRUCTIONS TO INSTALLER

1. You must read and understand the framing section of the fireplace installation instructions before proceeding with the installation of this decorative front.
2. Leave instruction manual with owner after installation.
3. Have owner register online or fill out and mail Product Registration Card supplied with unvented fireplace.
4. This decorative front is for installation on an exterior wall only.
5. This decorative front must be installed on to the fireplace prior to placing the fireplace into the wall.

Consult your local Building Department regarding regulations, codes or ordinances which apply to the installation of an unvented fireplace with exterior decorative front.

The installation must conform with local codes or, in the absence of local codes, with the National Fuel Gas Code, ANSI Z223.1.\* / NFPA 54.

\*Available from the American National Standards Institute, Inc.  
1430 Broadway, New York, N.Y. 10018.

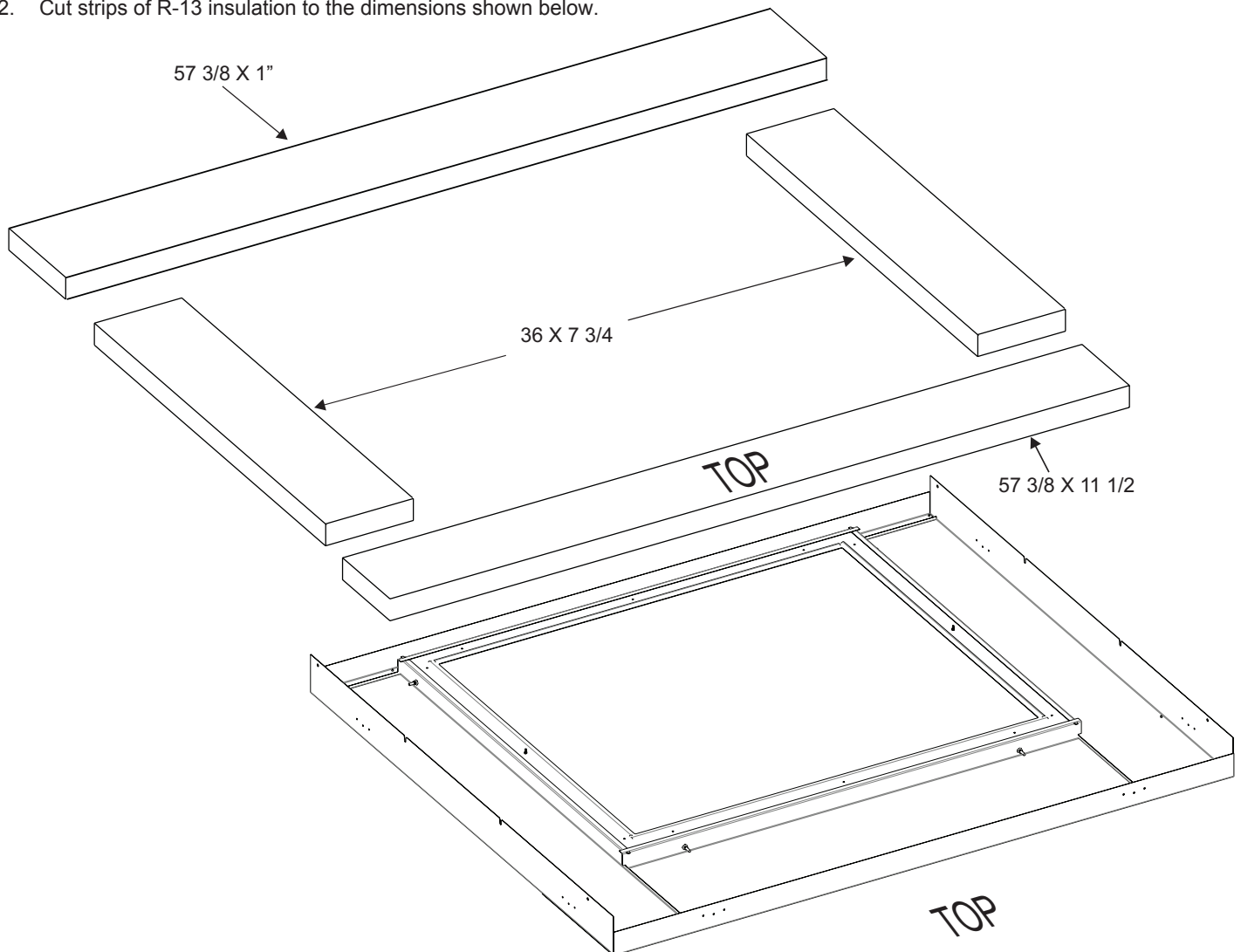
## OPTIONAL - ADDING R-13 INSULATION

### OPTIONAL ADDITION OF R-13 INSULATION (NOT INCLUDED).

**NOTICE:** Insulation is not required, but can be added if desired.

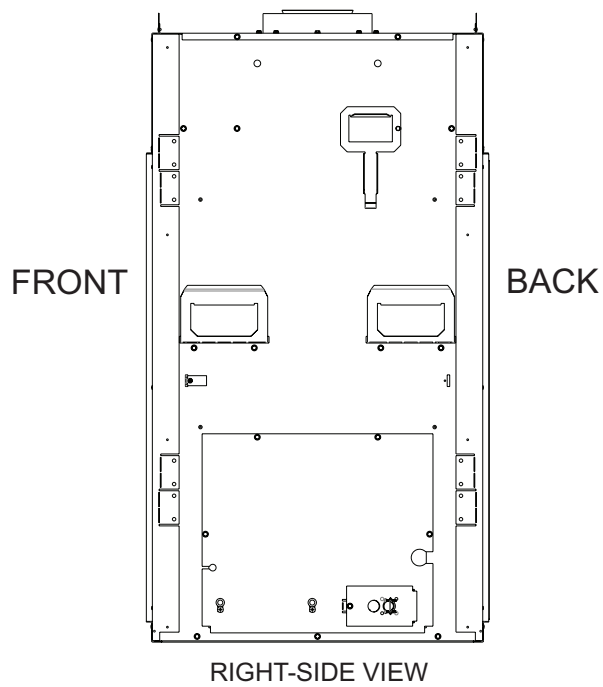
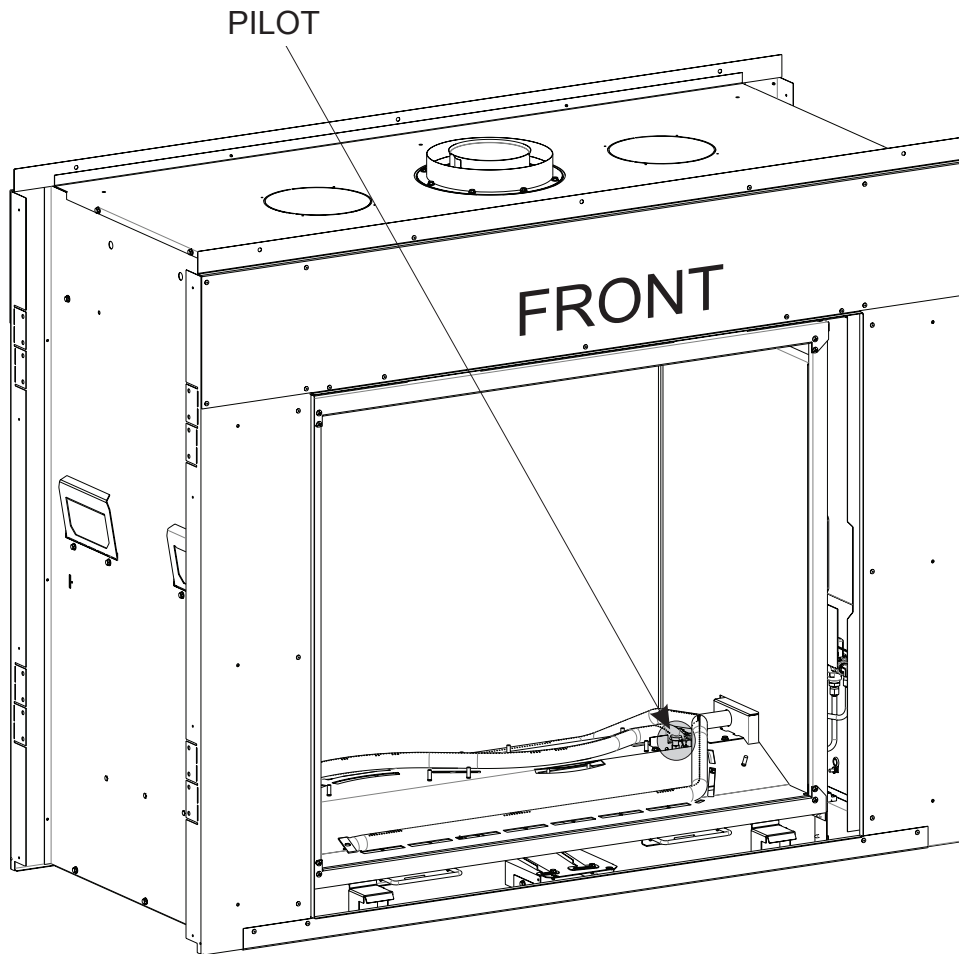
1. Remove the decorative front from its packaging and place exterior face down on scratch-free surface to protect the stainless steel.
2. Cut strips of R-13 insulation to the dimensions shown below.

3. Remove combustible insulation backing if necessary.
4. Insert insulation strips into the voids in the Outer Face. Use spray adhesive to hold in place prior to installing the kit to the unit.



# FIREPLACE ORIENTATION

**NOTICE:** The exterior decorative front must be attached to the back of the fireplace. Make sure you understand which side of the fireplace is the back before installing the decorative front.



# INSTALLING EXTERIOR DECORATIVE FRONT

1. Remove screen assembly from the back of the fireplace.  
(See the service section of the fireplace installation instructions).
2. Locate the 2 shields on the back of the fireplace, behind the face side. Bend these shields straight back, out of the way, to give access to the cams. The shields do not need to be bent back in place. Leave them bent back.

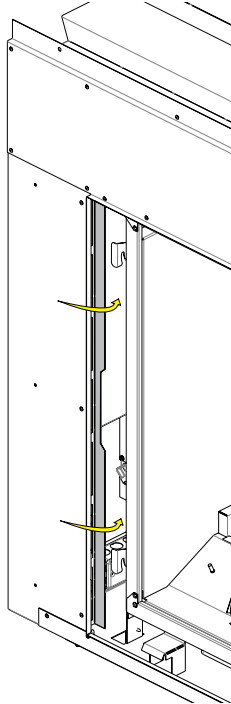


Figure 1A

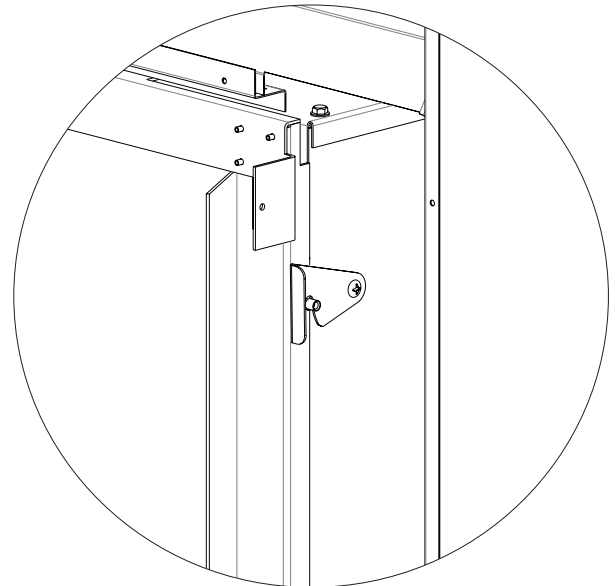
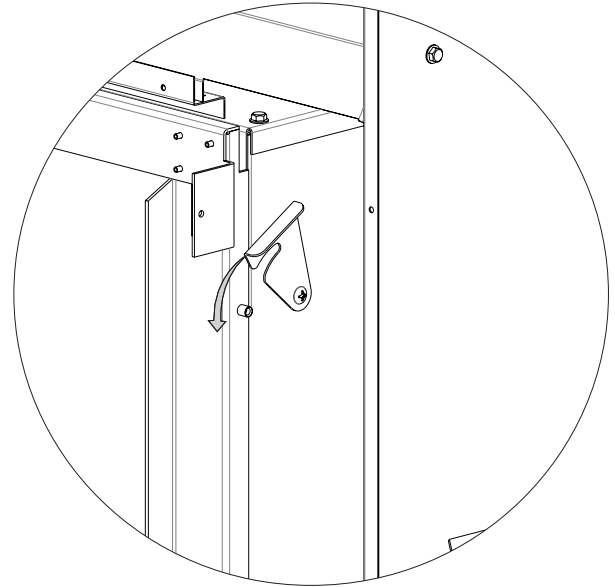


Figure 2

3. Locate the door locks, 2 per side. **See Figure 1B.** Rotate door locks into place. Will require force. **See Figure 2.**  
**NOTE:** Back side face removed from figure for clarity.

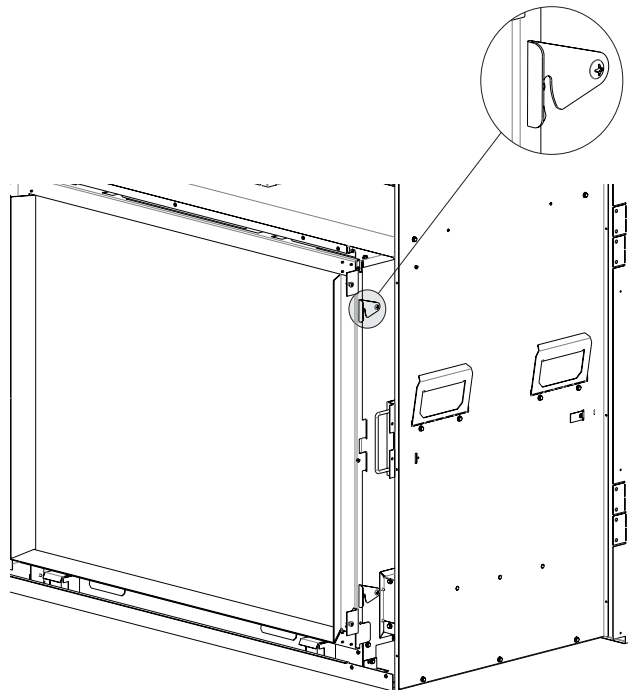


Figure 1B

# INSTALLING EXTERIOR DECORATIVE FRONT

- Loosen 2 screws in the middle. Remove 2 screws, one on top and one at bottom of each side.
- Slide the decorative front over the rear of the fireplace and attach with 4 screws provided per side (L and R). Tighten 4 screws loosened earlier. **See Figures 3 and 4.**
- Figure 4** shows the exterior decorative front installed.

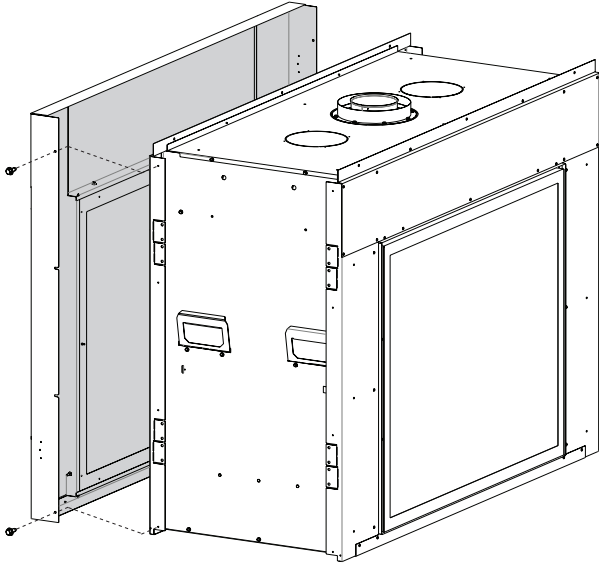


Figure 3

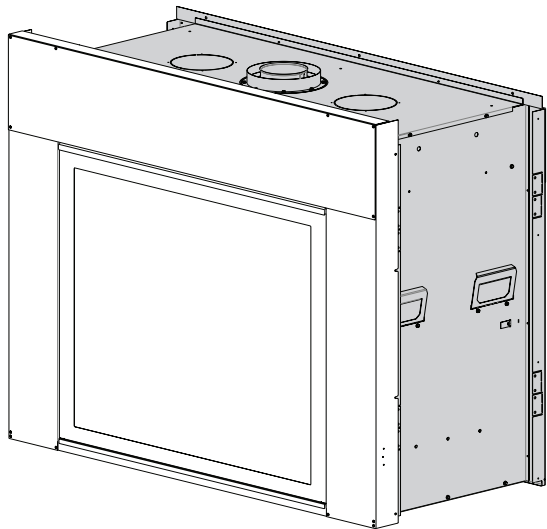
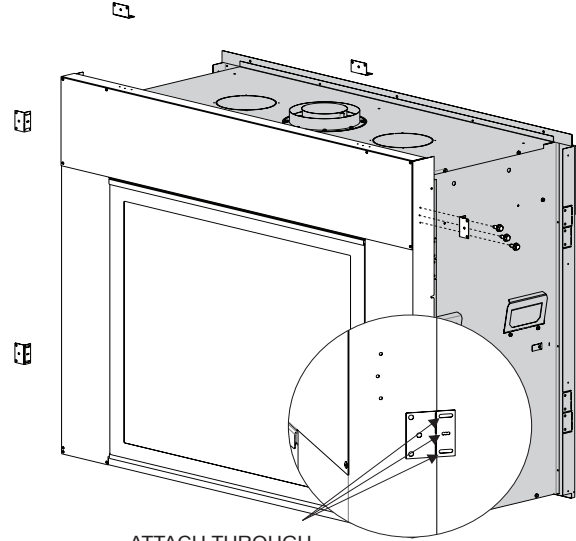


Figure 4

- Orient the framing brackets as shown and install onto the fireplace using 18 screws. **See Figure 5.**



ATTACH THROUGH THESE HOLES

Figure 5

- Measure from face of fireplace to face of drywall strip to determine final depth and adjust nailing flanges as shown in **Figure 6.**

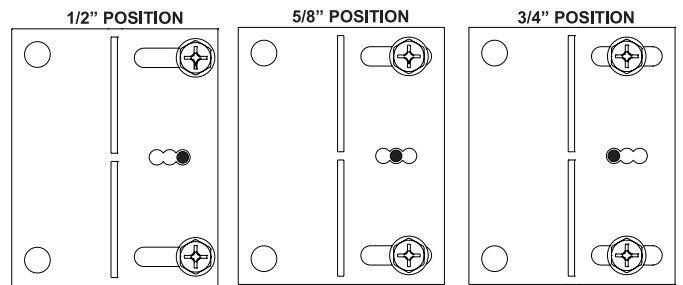


Figure 6

- Bend the nailing flanges 90 degrees as shown in **Figure 7.**

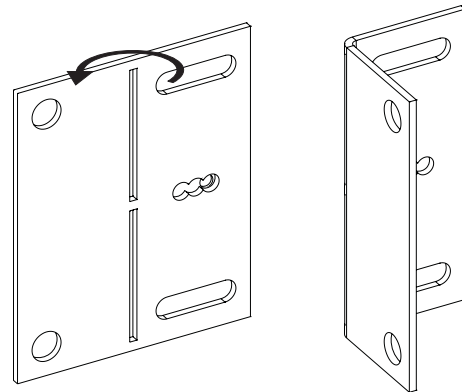


Figure 7

**NOTICE:** If the fireplace is to be set into the structural framing from the interior side of the wall, do not bend the framing brackets until after the fireplace is in its final position.



**Empire Comfort Systems Inc.  
Belleville, IL**

If you have a general question  
about our products, please e-mail  
us at [info@empirecomfort.com](mailto:info@empirecomfort.com).

If you have a service or repair  
question, please contact your dealer.

SINCE 1932

**[www.empirecomfort.com](http://www.empirecomfort.com)**