

# INSTALLATION INSTRUCTIONS

## DVCT50 LINER KIT

CERAMIC FIBER LINER	
Model 50	Description
DVP50CPWH	Liner, Whitewash Herringbone Brick

**LEAVE INSTRUCTIONS WITH THE HOMEOWNER.**

CARTON CONTENTS	
Description	Quantity Supplied
BOTTOM FRONT	1
LINER SIDE - LEFT	1
LINER SIDE - RIGHT	1
LINER REAR - BOTTOM	1
LINER REAR - TOP	1
LINER TOP - CENTER	1
LINER TOP - LEFT	1
LINER TOP - RIGHT	1
BRACKET LINER	1
#10 X 1/2 SCREW	4

**TOOLS NEEDED:** Phillips Screwdriver

### INSTALL FLOOR LINERS

**Installation Of Front Liners**  
 1. Remove barrier screen and glass door. (See the owner's manual for instructions.)

2. Place the BOTTOM FRONT LINER as (Shown In Figure 1).

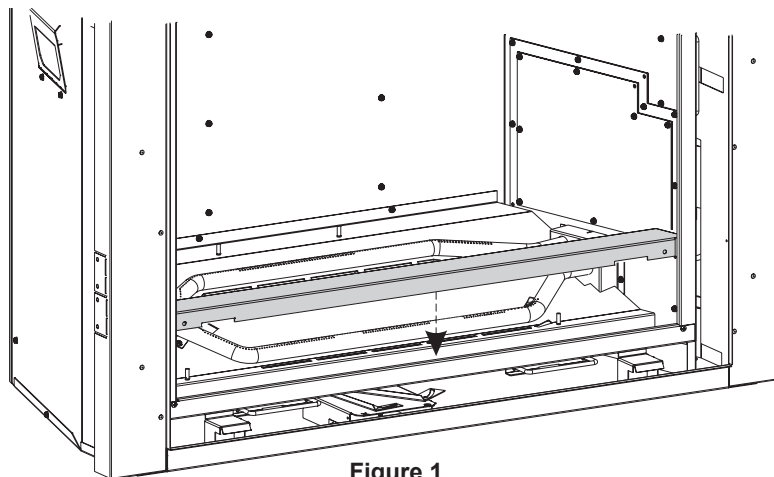


Figure 1

**NOTICE:** Video of liner installation available on our website at: [www.empirecomfort.com](http://www.empirecomfort.com).

## INSTALLATION OF LINER

1. Place LINER REAR - BOTTOM on the back of the firebox and hold with one hand. (See Figure 2.)

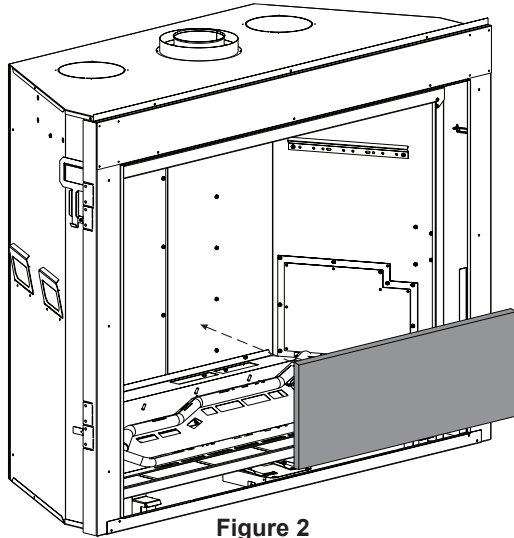


Figure 2

2. Place LINER SIDE - RIGHT against right firebox wall and LINER REAR - BOTTOM and push back to hold into place. (See Figure 3.)

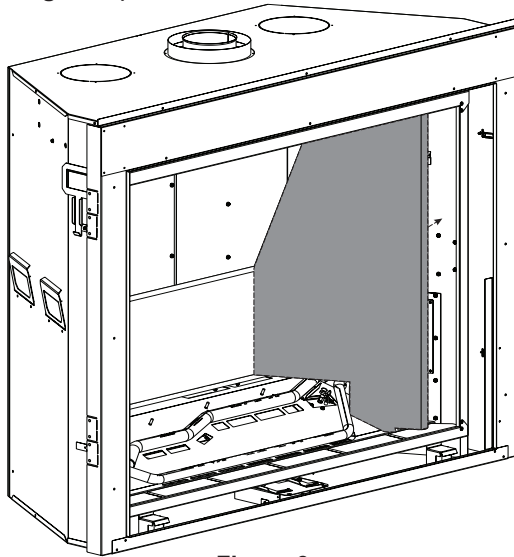


Figure 3

3. Place the LINER REAR - TOP on top of LINER REAR - BOTTOM and rest against right side of FIREBOX and LINER SIDE - RIGHT. (See Figure 4.)

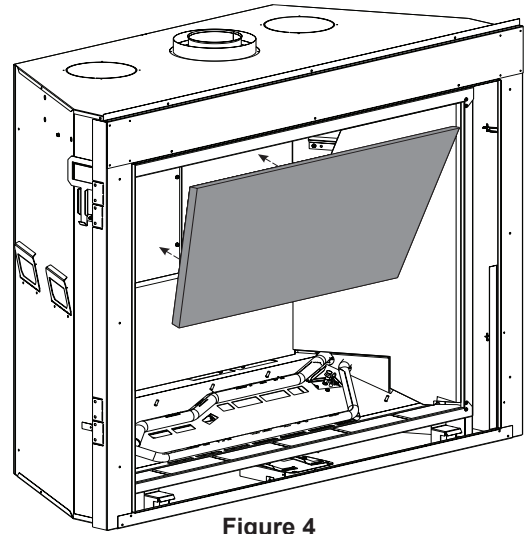


Figure 4

4. Place LINER SIDE - LEFT against left firebox wall and LINER REAR - BOTTOM and push back to hold into place.
5. Secure the LINER BRACKET with (4) screws, then place LINER TOP PIECES so they rest on the LINER REAR - TOP. (See Figure 5.)

**NOTICE:** Ensure (painted side) faces down, (black side) should face up.

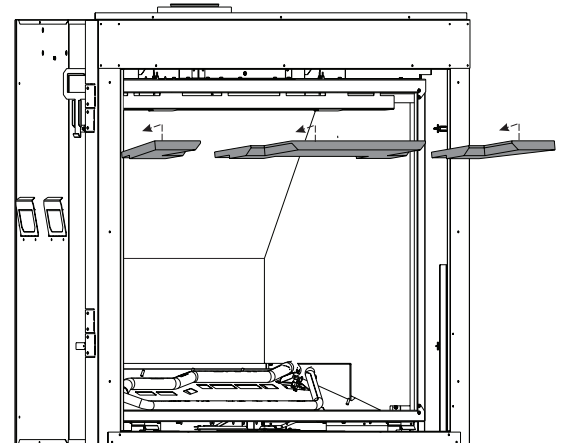
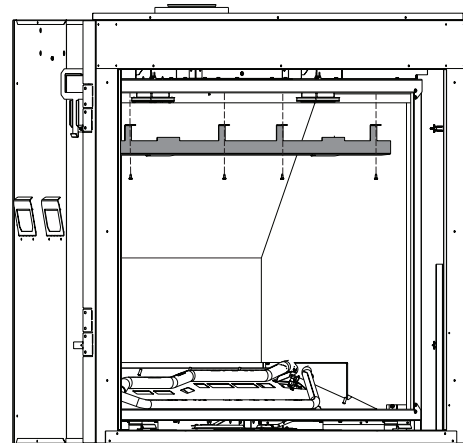
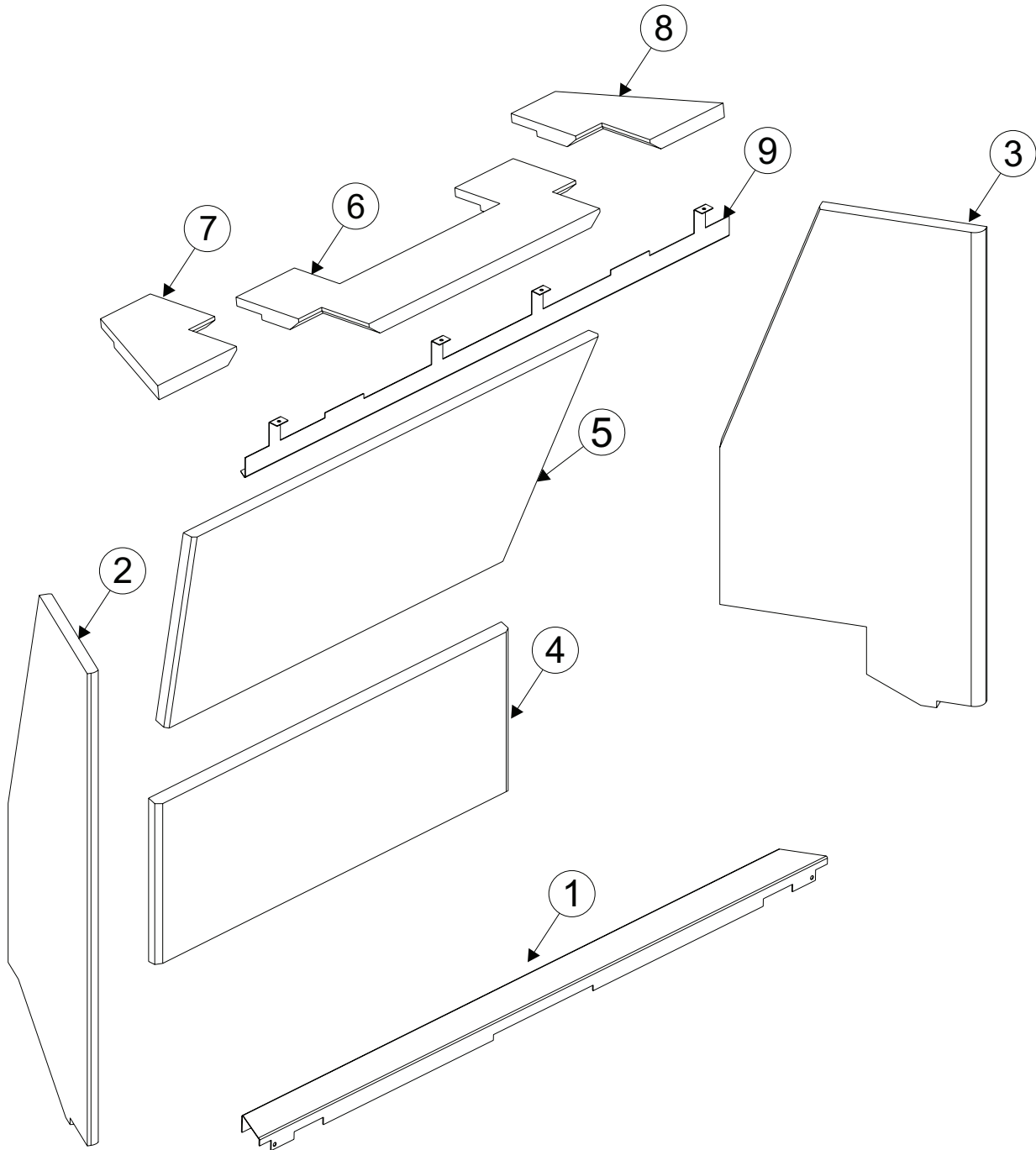


Figure 5

## CERAMIC FIBER LINER KIT EXPLODED VIEW AND PARTS LIST



PARTS LIST			
Index Number	Part Number	Description	Quantity Supplied
1	39854	Bottom Front	1
2	41645	Liner Side - Left	1
3	41646	Liner Side - Right	1
4	41647	Liner Rear - Bottom	1
5	41648	Liner Rear - Top	1
6	39977	Liner Top - Center	1
7	39978	Liner Top - Left	1
8	39979	Liner Top - Right	1
9	38271	Bracket Liner	1



SINCE 1932

[www.empirecomfort.com](http://www.empirecomfort.com)

**Empire Comfort Systems Inc.  
Belleville, IL**

If you have a general question  
about our products, please e-mail  
us at [info@empirecomfort.com](mailto:info@empirecomfort.com).

If you have a service or repair  
question, please contact your dealer.