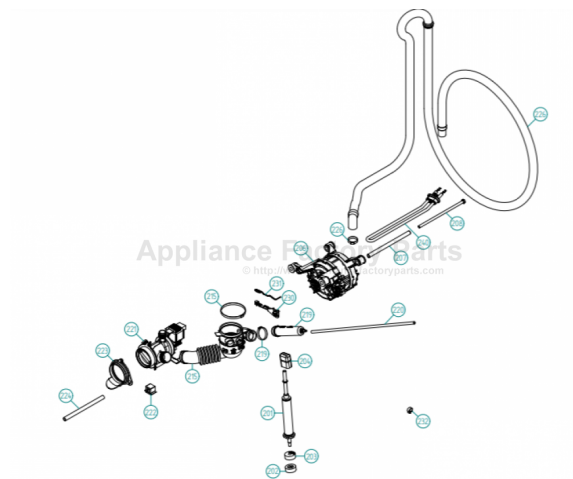


This Owner's Manual is provided and hosted by [Appliance Factory Parts](#).



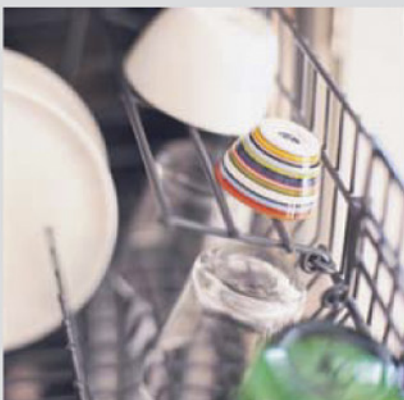
ASKO W6424WH Owner's Manual

[Shop genuine replacement parts for ASKO W6424WH](#)



[Find Your ASKO Washer Parts - Select From 53 Models](#)

----- Manual continues below -----



Spare Parts Catalogue

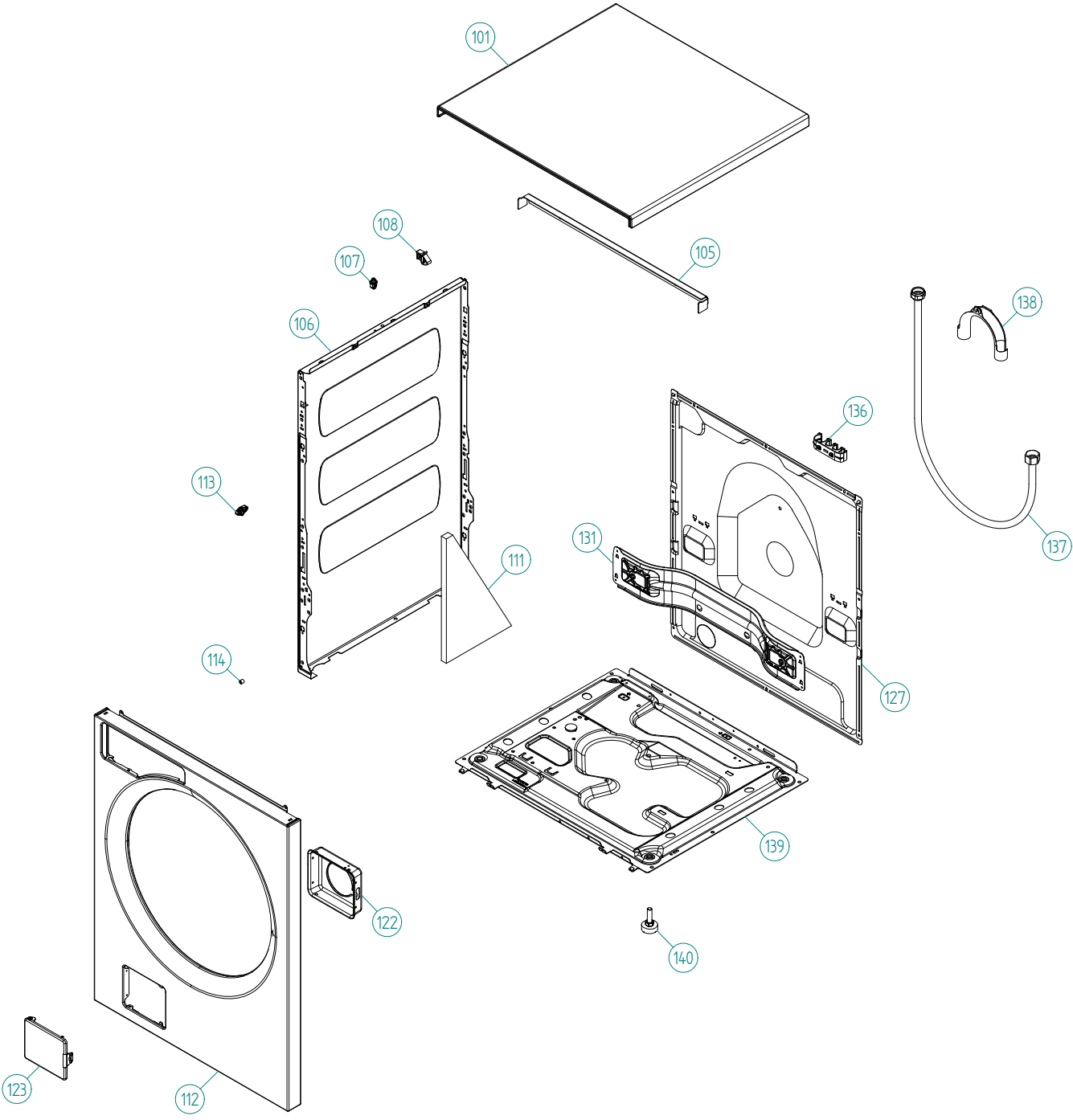
ASKO Washing Machines \ ASKO 6000 Series
Type: WM70.1
Model: W6424 US white

Prod. No: 107642400

January 17th 2013

ASKO Appliances Inc.

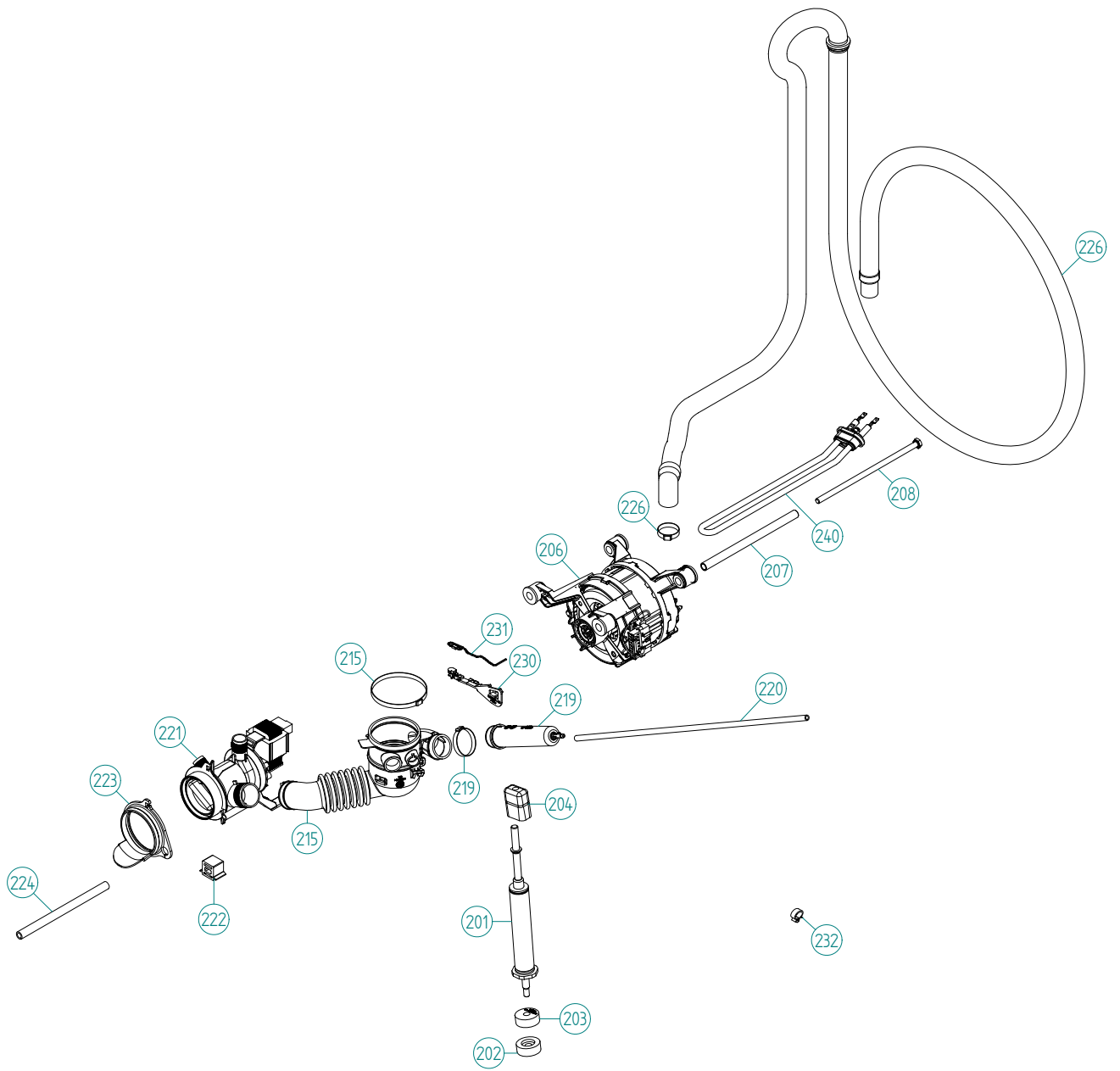
4001 E Plano Parkway #1004001 E Plano Parkway #100
Plano, Texas 75074



Outer Casing

ASKO, W6424 US - white (WM70.1)

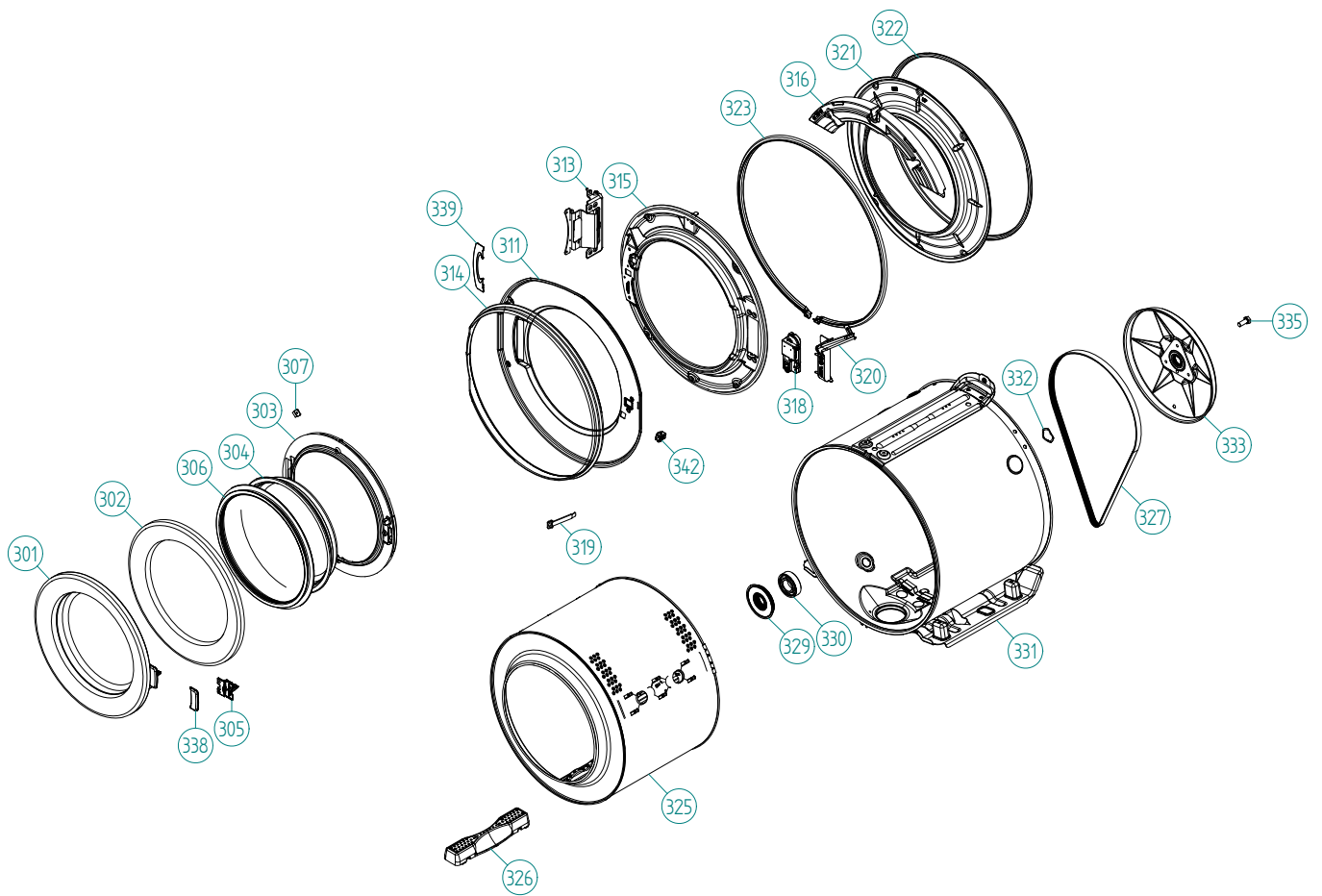
| Pos | Spare part No. | Description | Qty | Comment |
|-------|----------------|-------------------------------|---------|---------|
| 101 | 8061817-0 | Top Cover Wht WMD | 1 Pc's | |
| 101-a | 8902362 | Screw 20 Torx Self Tapping | 3 Pc's | |
| 101-b | 8901413 | Lock Washer laundry tops | 2 Pc's | |
| 105 | 8064198 | Support Beam | 1 Pc's | |
| 105-a | 8064255 | Sponge Rubber Strip 2X8 L=272 | 1 Pc's | |
| 106 | 8801496-0 | KIT SIDE PLATE WASHER WHITE | 1 Pc's | |
| 106 | 8801174-0 | Side Panel Washer 600s | 2 Pc's | |
| 107 | 8061763 | Clip Front Plate 600700s | 2 Pc's | |
| 108 | 8061916 | CABLE HOLDER WMD20 | 2 Pc's | |
| 111 | 8064017 | Insulation | 1 Pc's | |
| 112 | 8080117-0 | FRONT WITHOUT DOOR COMPL. | 1 Pc's | |
| 112-a | 8902362 | Screw 20 Torx Self Tapping | 2 Pc's | |
| 112-b | 8900327 | Screw 20 Torx Self Tapping | 2 Pc's | |
| 113 | 8080197 | PLASTIC BRACKET FRONT PLATE | 2 Pc's | |
| 114 | 8064222 | Guide Front Plate | 2 Pc's | |
| 114-a | 8900327 | Screw 20 Torx Self Tapping | 2 Pc's | |
| 122 | 8061785 | PUMP GUARD WM20 | 1 Pc's | |
| 123 | 8061657-0 | Door Out Pup W600s | 1 Pc's | |
| 127 | 8801466 | REAR PANEL WM20/60/70 | 1 Pc's | |
| 127-b | 8902362 | Screw 20 Torx Self Tapping | 11 Pc's | |
| 131 | 8088291 | BEAM TRANSPORT BRACE WM70 | 1 Pc's | |
| 131-a | 8902362 | SCREW RTK ST 4,2X9,5 FZB WAX. | 4 Pc's | |
| 133 | 8090105 | TRANSPORTATION INSERT | 3 Pc's | |
| 134 | 8088277 | SCREW M10X65 TT FZB | 3 Pc's | |
| 136 | 8065773 | HOSE FRAME REAR COVER WM | 2 Pc's | |
| 137 | 8056950 | Fill Hose Pex WM | 1 Pc's | |
| 138 | 8088270 | HOSE HOLDER SIDEPLATE | 2 Pc's | |
| 138 | 8050805 | GOOSE NECK for DRAIN HOSE | 1 Pc's | |
| 138-a | 8002263 | Cable Strip | 1 Pc's | |
| 139 | 8061618 | BASE PAN WMD20 | 1 Pc's | |
| 140 | 8059334 | Leveling Leg Comp WMD 20 | 4 Pc's | |



Lower session

ASKO, W6424 US - white (WM70.1)

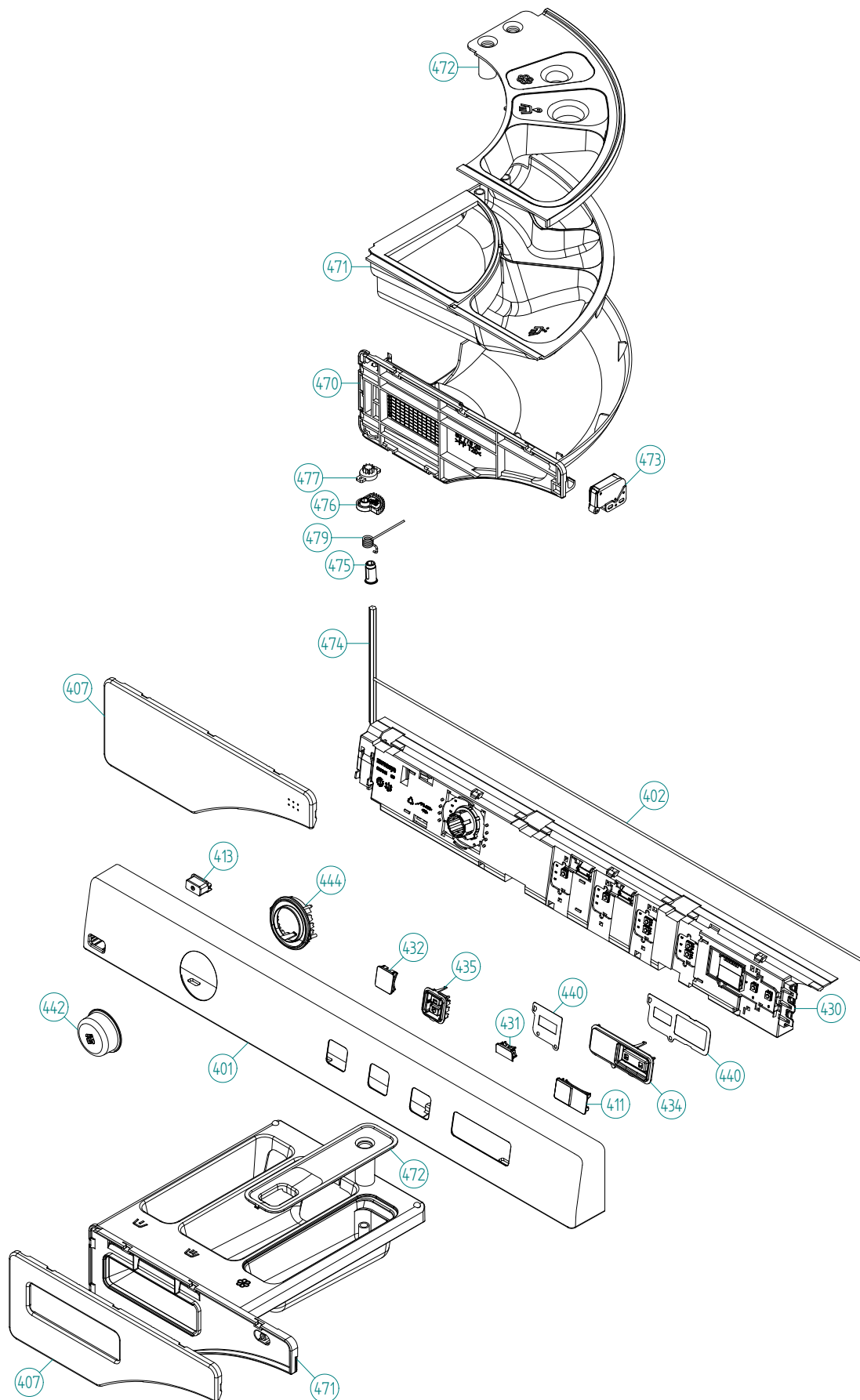
| Pos | Spare part No. | Description | Qty | Comment |
|-------|----------------|-----------------------------------|--------|---------|
| 201 | 8801454 | SPRINGLEG KIT WM70 | 1 Pc's | |
| 202 | 8088443 | RUBBER BUFFER SPRING LEG FEMA. | 4 Pc's | |
| 203 | 8088444 | RUBBER BUFFER SPRING LEG MALE | 4 Pc's | |
| 204 | 8088445 | RUBBER DAMPER SPRINGLEG | 4 Pc's | |
| 206 | 8088099 | MOTOR 60HZ UL4 | 1 Pc's | |
| 206-a | 8095396 | MOTOR BRUSH NIDEC SOLE 50/60HZ | 2 Pc's | |
| 207 | 8058261 | Spacer Tube Motor 05 WM | 2 Pc's | |
| 208 | 8063591 | Screw | 2 Pc's | |
| 215 | 8801516 | Bellows Hose Outlet Pump w/Clamps | 1 Pc's | |
| 215-a | 8063262 | HOSE CLIP 80.0-708 | 1 Pc's | |
| 215-b | 8056471 | Hose Clips | 1 Pc's | |
| 215-c | 8084609 | HOSE CLIP 39.6 | 1 Pc's | |
| 215-c | 8084609 | HOSE CLIP 38,1 | 1 Pc's | |
| 219 | 8061924 | Pressure Chamber | 1 Pc's | |
| 219-c | 8084609 | HOSE CLIP 39.6 | 1 Pc's | |
| 220 | 8082882 | RUBBER HOSE 4,3X7,3X610 | 1 Pc's | |
| 221 | 8801264 | Drain Pump w/clamps | 1 Pc's | |
| 221-a | 8801186 | Seal Pump Insert | 1 Pc's | |
| 221-b | 8801297 | Pump insert | 1 Pc's | |
| 222 | 8061649 | Rubber Buffer Drain Pump WM20 | 2 Pc's | |
| 223 | 8061796 | Rubber Ring Drain Pump WM20 | 1 Pc's | |
| 224 | 8061725 | Drain Hose WM20 | 1 Pc's | |
| 224-a | 8052731 | HOSE CLIP 14,8 | 1 Pc's | |
| 226 | 8061998 | Outlet Hose WM20 | 1 Pc's | |
| 226-a | 8056491 | HOSE CLIP 30.1-708 | 1 Pc's | |
| 230 | 8801474 | HOLDER THERMISTOR | 1 Pc's | |
| 230 | 8801474 | THERMISTOR COMPL. W. HOLDER | 1 Pc's | |
| 231 | 8801474 | THERMISTOR COMPL. W. HOLDER | 1 Pc's | |
| 231 | 8076102 | THERMISTOR Repl.by 8801474 | 1 Pc's | |
| 232 | 8061976 | Cable Holder W600 | 2 Pc's | |
| 240 | 8061706 | HEATING ELEMENT 2000W 230V UL4 | 1 Pc's | |



Cylinder and related parts

ASKO, W6424 US - white (WM70.1)

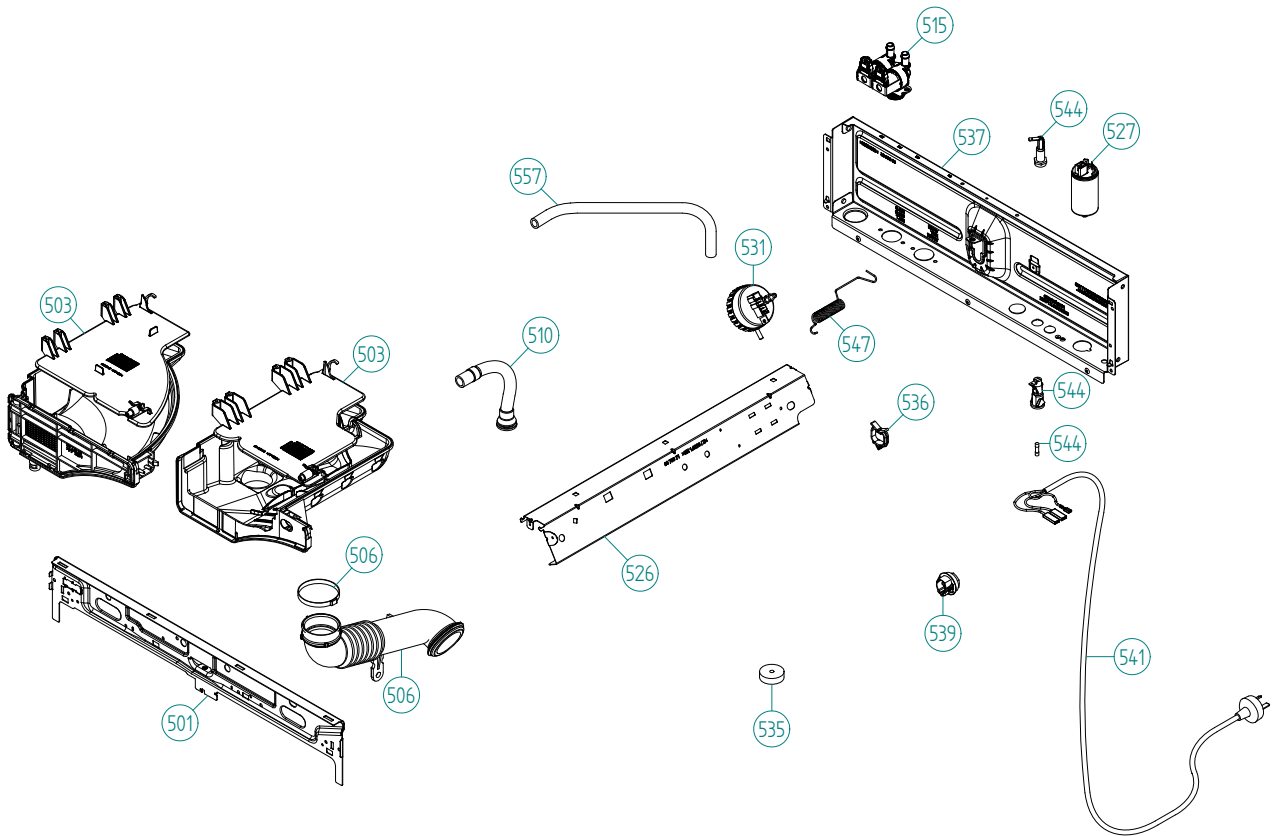
| Pos | Spare part No. | Description | Qty | Comment |
|-------|----------------|--------------------------------|--------|---------|
| 301 | 8081875-85 | FRONT DOOR COMPL. | 1 Pc's | |
| 301 | 8082933-85 | FRONT DOOR COMPL. WM60.C | 1 Pc's | |
| 302 | 8076548-85 | Included with POS 301 | 1 Pc's | |
| 303 | 8076547-49 | Included with POS 301 | 1 Pc's | |
| 304 | 8061685 | Included with POS 301 | 1 Pc's | |
| 305 | 8078973 | LOCK HOOK UL4 | 1 Pc's | |
| 306 | 8081128 | SEALING FRONT DOOR WM60 UL4 | 1 Pc's | |
| 307 | 8801321 | KIT SECURING PLATE FRONT GLASS | 1 Pc's | |
| 311 | 8076560-0 | COVER PLATE OUTER WHITE | 1 Pc's | |
| 311 | 8082563-0 | COVER PLATE OUTER WM60.C | 1 Pc's | |
| 313 | 8079471 | HINGE COMPL. | 1 Pc's | |
| 313 | 8082561 | HINGE WM60.C COMPL. | 1 Pc's | |
| 313-a | 8079877 | SCREW MFT 8.8 M5X10 FZB | 4 Pc's | |
| 313-b | 8901097 | Screw Terminal | 2 Pc's | |
| 314 | 8076561-49 | GAP SEALING | 1 Pc's | |
| 315 | 8081693 | COVER PLATE INNER WM70 | 1 Pc's | |
| 316 | 8076563 | Balance Weight 5.1 KG | 2 Pc's | |
| 316-a | 8901135 | SCREW | 4 Pc's | |
| 318 | 8079873 | DOOR LOCK | 1 Pc's | |
| 318-a | 8902087 | Screw Plastic Housing 20 Torx | 2 Pc's | |
| 319 | 8076566 | EMERGENCY OPENER DOOR LOCK | 1 Pc's | |
| 320 | 8079959-UL | DOOR LOCK COVER | 1 Pc's | |
| 321 | 8081689 | FRONT GABLE CONTAINER WM70 | 1 Pc's | |
| 322 | 8081696 | SEALING STRIP FRONT GABLE WM70 | 1 Pc's | |
| 323 | 8081695-P | TENSIONRING WM70 | 1 Pc's | |
| 325 | 8081676-P | DRUM Repl.by 8092250-P WM70 | 1 Pc's | |
| 325 | 8092250-P | DRUM D480 COMPL. WM70 | 1 Pc's | |
| 326 | 8090348 | DRUM PADDLE WM70 | 3 Pc's | |
| 326 | 8081678 | DRUM PADDLE WM70 | 3 Pc's | |
| 327 | 8081649 | DRIVE BELT J5 1225 | 1 Pc's | |
| 329 | 8801276 | Kit Sealing Cassette | 1 Pc's | |
| 330 | 8056314 | Bearing Comp WM Rear Panel | 2 Pc's | |
| 331 | 8801455 | CONTAINER COMPL. WM70 1 EL. | 1 Pc's | |
| 332 | 8056810 | Wave Washer WM | 1 Pc's | |
| 333 | 8056376 | Pulley for Drum WM | 1 Pc's | |
| 335 | 8901052 | Screw | 1 Pc's | |
| 338 | 8078975-85 | COVER LOCK HOOK | 1 Pc's | |
| 339 | 8079283-0 | HINGE COVER | 1 Pc's | |
| 339 | 8083250-0 | COVER HINGE WM60.C | 1 Pc's | |
| 342 | 8089887 | GUIDE-2 GLASS DOOR | 1 Pc's | |



Control Panel

ASKO, W6424 US - white (WM70.1)

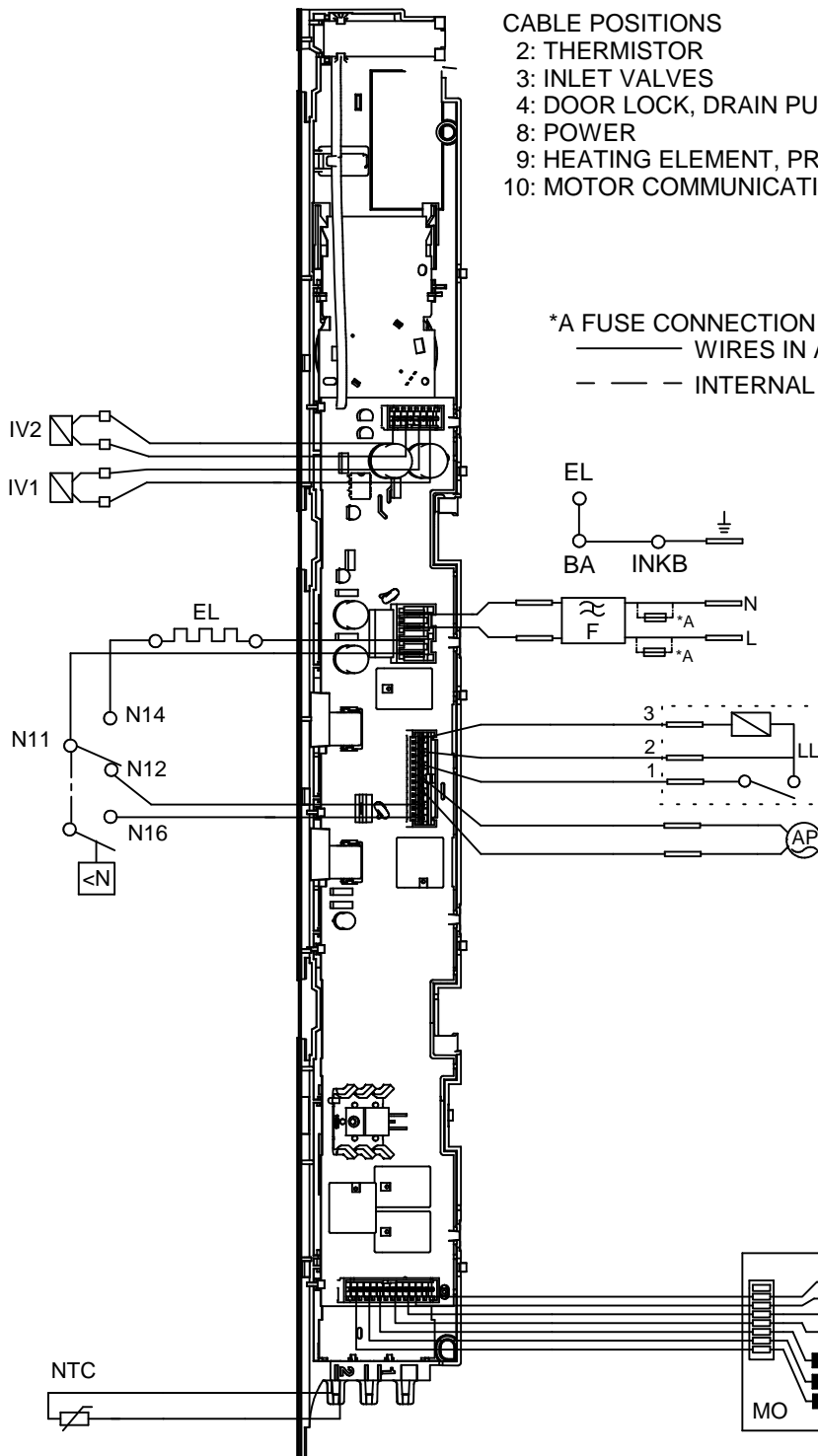
| Pos | Spare part No. | Description | Qty | Comment |
|-----|----------------|-------------------------------------|--------|---------|
| 401 | 8088876-0-UL | PANEL ASKO W6424 US | 1 Pc's | |
| 402 | 8079749 | Rubber Seal-Cntrl Panel to Brd | 1 Pc's | |
| 407 | 8076072-0 | Det Drawer Cover Swing Out | 1 Pc's | |
| 407 | 8081672-0 | Det Drawer Cover Pull Out | 1 Pc's | |
| 411 | 8083799-0 | PUSHBUT. START/STOP PRINTED WM | 1 Pc's | |
| 413 | 8081710-0 | PUSHBU. MAINSWITCH WMD60.2 UL4 | 1 Pc's | |
| 430 | 8088614 | CONTROL UNIT WM70.1 B (DISP.) | 1 Pc's | |
| 431 | 8083234-0 | PUSHBUTT. OPTION 2 WMD60.1 UL4 | 2 Pc's | |
| 432 | 8083233-0 | PUSHBUTTON OPT.1 WMD60.1 UL4 | 2 Pc's | |
| 434 | 8083238 | LENS ST/ST DISP. WMD60.1 UL4 | 1 Pc's | |
| 435 | 8083241 | LENS OPTION WMD60.1 UL4 | 3 Pc's | |
| 440 | 8088564 | DECOR PLATE WMD60.1 | 1 Pc's | |
| 442 | 8801433-0 | KNOB COMPL. WMD60.1 WHITE | 1 Pc's | |
| 444 | 8083482 | LENS JOGDIAL WMD60.1 UL4 | 1 Pc's | |
| 460 | 8076204 | CABLE SET MOTOR WM UL4 | 1 Pc's | |
| 470 | 8077620 | HOLDER DETERGENT COMPARTMENT | 1 Pc's | |
| 471 | 8077619 | Det Disp Tray WM Swing out | 1 Pc's | |
| 471 | 8081664 | Det Drawer WM Pull out | 1 Pc's | |
| 472 | 8081665 | SIPHON Liq Softner Pull Compartment | 1 Pc's | |
| 472 | 8077142 | SIPHON Liq DET Swing Compartment | 1 Pc's | |
| 473 | 8078925 | PUSH LOCKING | 1 Pc's | |
| 474 | 8077621 | SHAFT DETERGENT COMPARTMENT | 1 Pc's | |
| 475 | 8076159 | BUSHING DETERGENT COMPARTMENT | 3 Pc's | |
| 476 | 8076189 | GEAR RING DETERGENT CONTAINER | 1 Pc's | |
| 477 | 8078924 | DAMPER DETERGENT COMPARTMENT | 1 Pc's | |
| 479 | 8077622 | TORSION SPRING | 1 Pc's | |



Upper session

ASKO, W6424 US - white (WM70.1)

| Pos | Spare part No. | Description | Qty | Comment |
|-------|----------------|-------------------------------|--------|--------------------------------------|
| 501 | 8076029 | FRONTBEAM | 1 Pc's | |
| 501-a | 8902362 | Screw 20 Torx Self Tapping | 2 Pc's | |
| 501-b | 8901413 | Lock Washer laundry tops | 2 Pc's | |
| 503 | 8081808 | Det Compt Compl WM Swing Out | 1 Pc's | |
| 503 | 8081666 | Det Comp Compl WM Pull out | 1 Pc's | |
| 503-a | 8901970 | Screw | 1 Pc's | |
| 503-b | 8902072 | SCREW PT KB40X10 WN1442 GALV | 1 Pc's | |
| 506 | 8064692 | BELLOW HOSE INLET UL4 | 1 Pc's | |
| 506 | 8081670 | BELLOW HOSE INLET WM60 UL4 | 1 Pc's | |
| 506-a | 8063607 | HOSE CLIP 57,5 | 1 Pc's | |
| 510 | 8061736 | Ventilation Hose WM20 | 1 Pc's | |
| 510-a | 8052730 | HOSE CLIP 21,0 | 1 Pc's | |
| 515 | 8083880 | INLET VALVE 2-WAY | 1 Pc's | |
| 515-a | 8901097 | Screw Terminal | 2 Pc's | |
| 526 | 8078971 | UNIT FOR ELECTR. COMP. | 1 Pc's | |
| 527 | 8076202 | EMC-FILTER WITH INDUCTOR | 1 Pc's | |
| 527-a | 8901155 | Nut | 1 Pc's | |
| 527-b | 8901419 | Lock Washer | 1 Pc's | |
| 529 | 8079716 | CABLE SET N AP LL WM UL4 | 1 Pc's | |
| 529 | 8079717 | CABLE SET EL WM UL4 | 1 Pc's | |
| 529 | 8082568 | CABLE SET P WM UL4 | 1 Pc's | |
| 529 | 8084487 | GROUND CABLE WM UL4 | 1 Pc's | |
| 529 | 8084188 | CABLE SET IV WM60.1 UL4 | 1 Pc's | |
| 529 | 8084483 | CABLE BUNDLE WM60.1/WM70.1 | 1 Pc's | |
| 531 | 8089765 | LEVEL SWITCH WM70.1 | 1 Pc's | |
| 535 | 8061997 | Ground Level Switch Hose WM20 | 2 Pc's | |
| 536 | 8061975 | Cable Holder | 1 Pc's | |
| 537 | 8089748 | CROSS BEAM | 1 Pc's | |
| 537-a | 8900327 | Screw 20 Torx Self Tapping | 5 Pc's | |
| 539 | 8006948 | Grommet | 1 Pc's | |
| 541 | 8064210 | PWR Cord w/flat pin sleeves | 1 Pc's | |
| 544 | 8065573 | FUSE HOLDER GREY 15A US/CA | 2 Pc's | |
| 544-a | 8058140 | BK/MDA15 Fuse All laundry | 2 Pc's | |
| 544-b | 8801354 | Fuse Holder Assembly | 2 Pc's | For units produced before wk 34 2002 |
| 544-c | 8801354 | Fuse Holder Assembly | 2 Pc's | For units produced before wk 34 2002 |
| 547 | 8095135 | BALANCING SPRING | 1 Pc's | |
| 547 | 8089723 | BALANCING SPRING | 2 Pc's | |
| 557 | 8058502 | RUBBER HOSE 10X15X360 UL1 | 2 Pc's | |



CABLE POSITIONS

- 2: THERMISTOR
- 3: INLET VALVES
- 4: DOOR LOCK, DRAIN PUMP, PREASSURE SWITCH
- 8: POWER
- 9: HEATING ELEMENT, PREASSURE SWITCH
- 10: MOTOR COMMUNICATION, MOTOR POWER

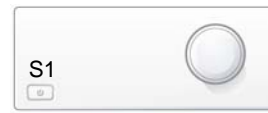
*A FUSE CONNECTION USA & CANADA

——— WIRES IN ALL MACHINES

- - - - INTERNAL CONNECTION

RESISTANCES AT ROOM TEMPERATURE
VALUES WITHIN +/-10%

- F: RADIO INTERFACE
- EL: HEATING ELEMENT
- AP: DRAIN PUMP 50
- AP: DRAIN PUMP 60
- LL: DOOR LOCK, 1-2
- NTC: THERMISTOR
- IV 1: INLET VALVE 1
- IV 2: INLET VALVE 2
- MO: MOTOR, 1-3
- MCU: MOTOR CONTROL
- N: PRESSURE SWITCH
- TS: PRESSURE SENSOR
- TG: TACHO GENERATOR
- BA: CONTAINER
- INKB: INCOMING GROUND



TOTAL RESET

TURN OFF POWER (S1)
WAIT FOR AT LEAST 30 SECONDS
HOLD DOOR OPENING (S1)
TURN ON POWER (S1)

SERVICE MENU

TURN OFF POWER (S1)
WAIT FOR AT LEAST 30 SECONDS
HOLD START/STOP (S1)
TURN ON POWER (S1)
PRESS START/STOP

PRESS DOOR OPENING (S1)
ROTATE DIAL TO CHANGING (S1)
PRESSING START/STOP (S1)

CIRCUIT

80