



Spare Parts Catalogue

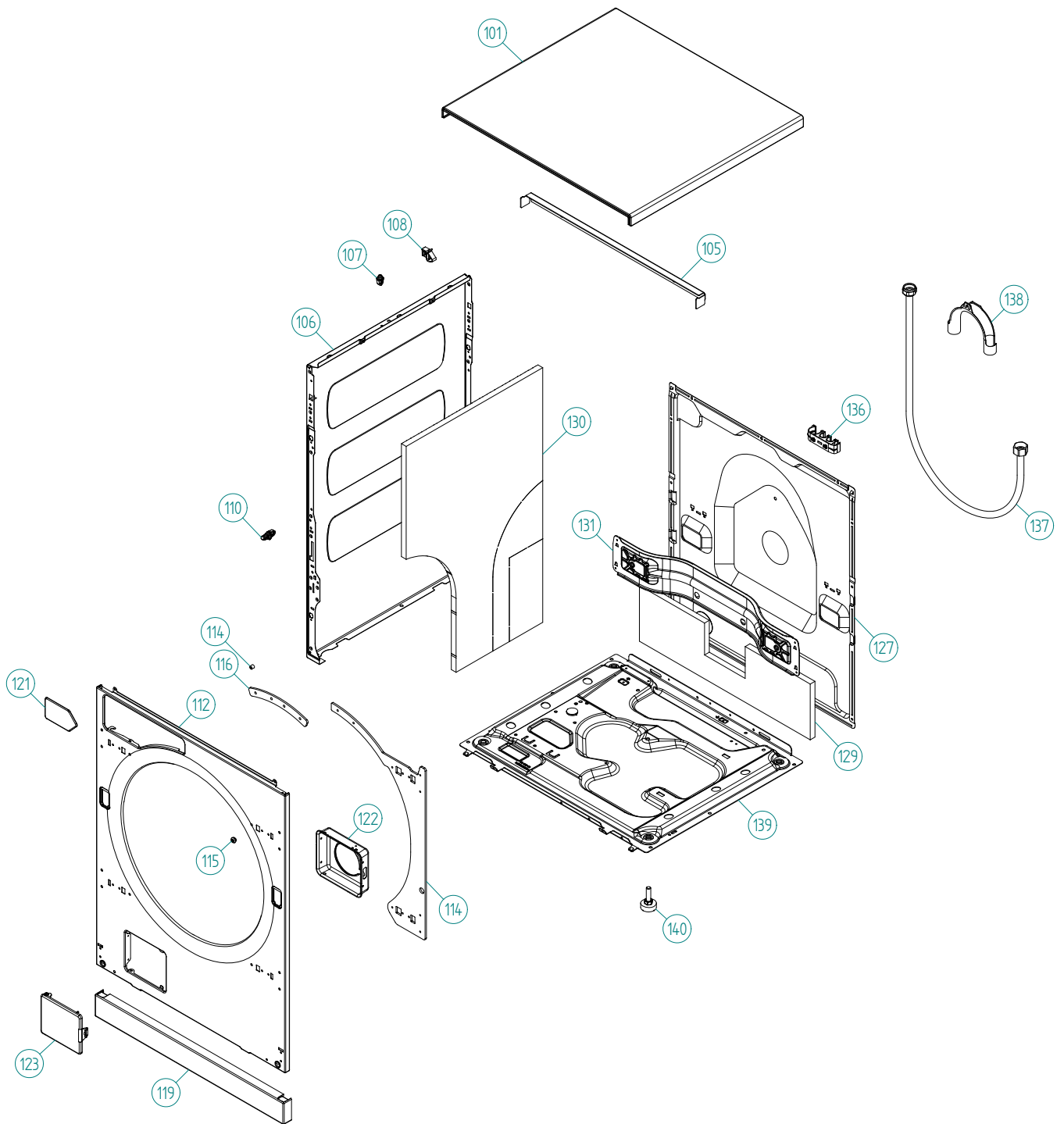
ASKO Washing Machines \ ASKO 6000 Series
Type: WM70.3
Model: W6984 US Titan

Prod. No: 107698436

January 16th 2013

ASKO Appliances Inc.

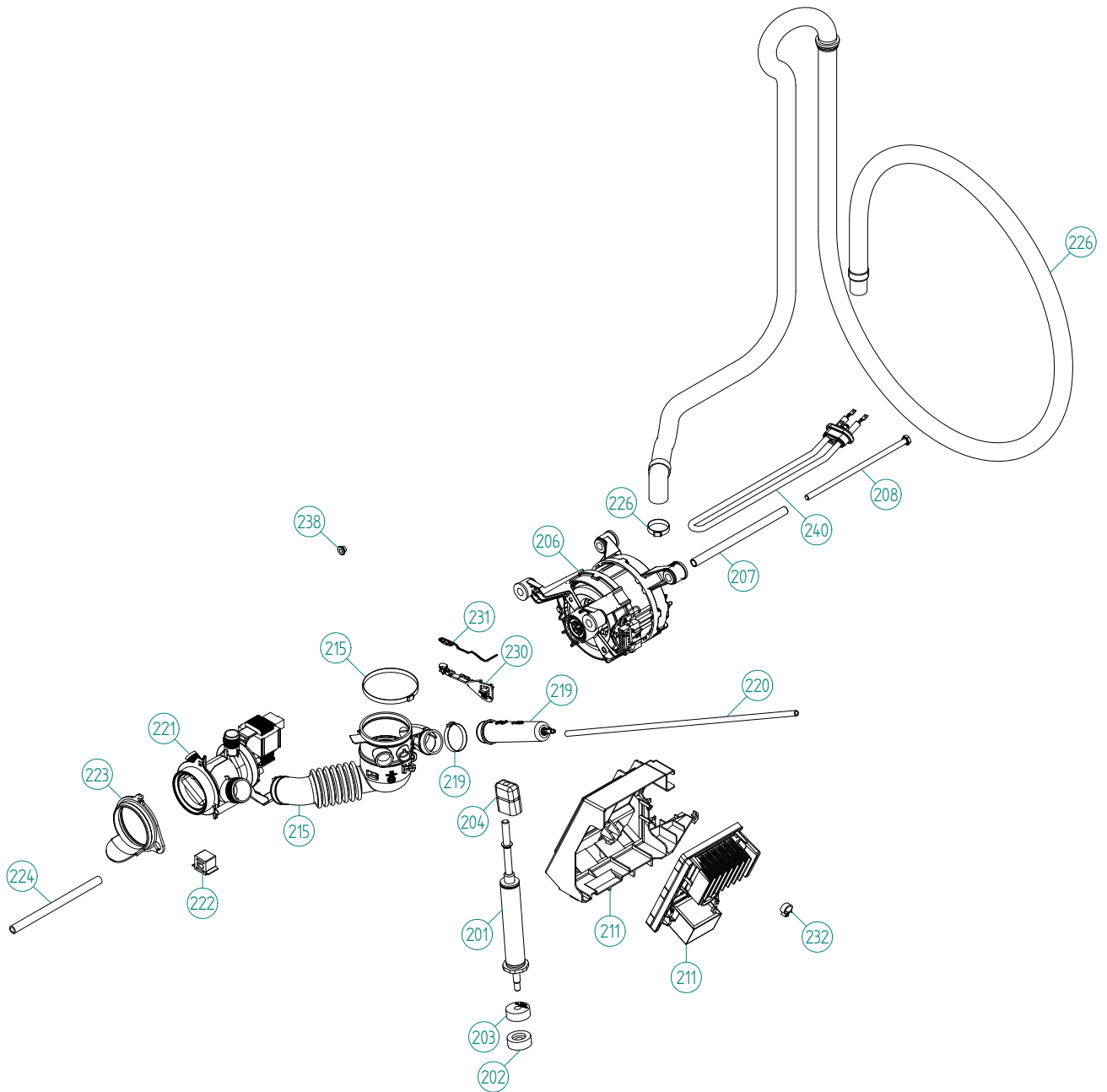
4001 E Plano Parkway #1004001 E Plano Parkway #100
Plano, Texas 75074



Outer Casing

ASKO, W6984 US - Titan (WM70.3)

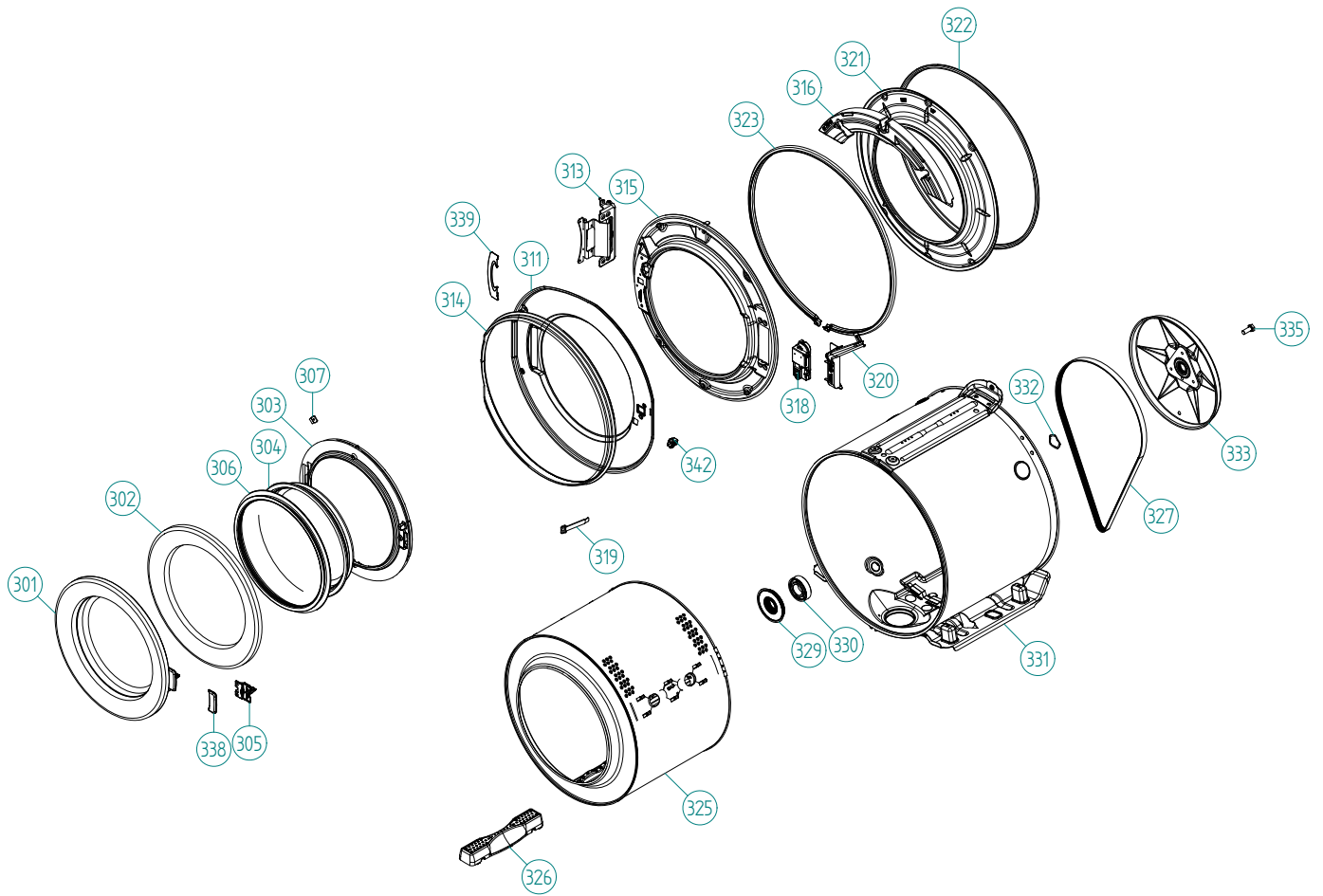
Pos	Spare part No.	Description	Qty	Comment
101	8061817-81	Top WM50 titanium	1 Pc's	
101-a	8902362	Screw 20 Torx Self Tapping	3 Pc's	
101-b	8901413	Lock Washer laundry tops	2 Pc's	
105	8064198	Support Beam	1 Pc's	
105-a	8064255	Sponge Rubber Strip 2X8 L=272	1 Pc's	
106	8801174-81	Side WM50 titanium	2 Pc's	
106	8801496-81	KIT SIDE PLATE WASHER MET.GREY	1 Pc's	
107	8061763	Clip Front Plate 600700s	2 Pc's	
108	8061916	CABLE HOLDER WMD20	2 Pc's	
110	8080197	Holder Front Panel	2 Pc's	
111	8061986	Sound Dead Side	2 Pc's	
112	8080397-81	FRONT INTEGRATED COMPL.	1 Pc's	
112-a	8902362	Screw 20 Torx Self Tapping	2 Pc's	
112-b	8900327	Screw 20 Torx Self Tapping	2 Pc's	
114	8064222	Guide Front Plate	2 Pc's	
114	8080103	REINFORCEMENT INTEGRATED	2 Pc's	
114-a	8900327	Screw 20 Torx Self Tapping	2 Pc's	
115	8061741	RUBBER BUFFER FRONT DOOR	2 Pc's	
116	8080104	REINFORCEMENT JOINT INTEGRATED	1 Pc's	
119	8076080-81	PLINTH	1 Pc's	
121	8077498-81	COVER FOR FRONT INTEGRATED	2 Pc's	
122	8061785	PUMP GUARD WM20	1 Pc's	
123	8061657-81	outlet pump door WM50 Titanium	1 Pc's	
127	8801466	REAR PANEL WM20/60/70	1 Pc's	
127-b	8902362	Screw 20 Torx Self Tapping	11 Pc's	
129	8061985	Sound Dead Rear Panel Lower	1 Pc's	
130	8061986	Sound Dead Side	1 Pc's	
131	8088291	BEAM TRANSPORT BRACE WM70	1 Pc's	
133	8090105	TRANSPORTATION INSERT	1 Pc's	
134	8088277	SCREW M10X65 TT FZB	1 Pc's	
136	8065773	HOSE FRAME REAR COVER WM	2 Pc's	
137	8056950	Fill Hose Pex WM	1 Pc's	
138	8050805	GOOSE NECK for DRAIN HOSE	1 Pc's	
138-a	8002263	Cable Strip	1 Pc's	
139	8061618	BASE PAN WMD20	1 Pc's	
140	8059334	Leveling Leg Comp WMD 20	4 Pc's	



Lower session

ASKO, W6984 US - Titan (WM70.3)

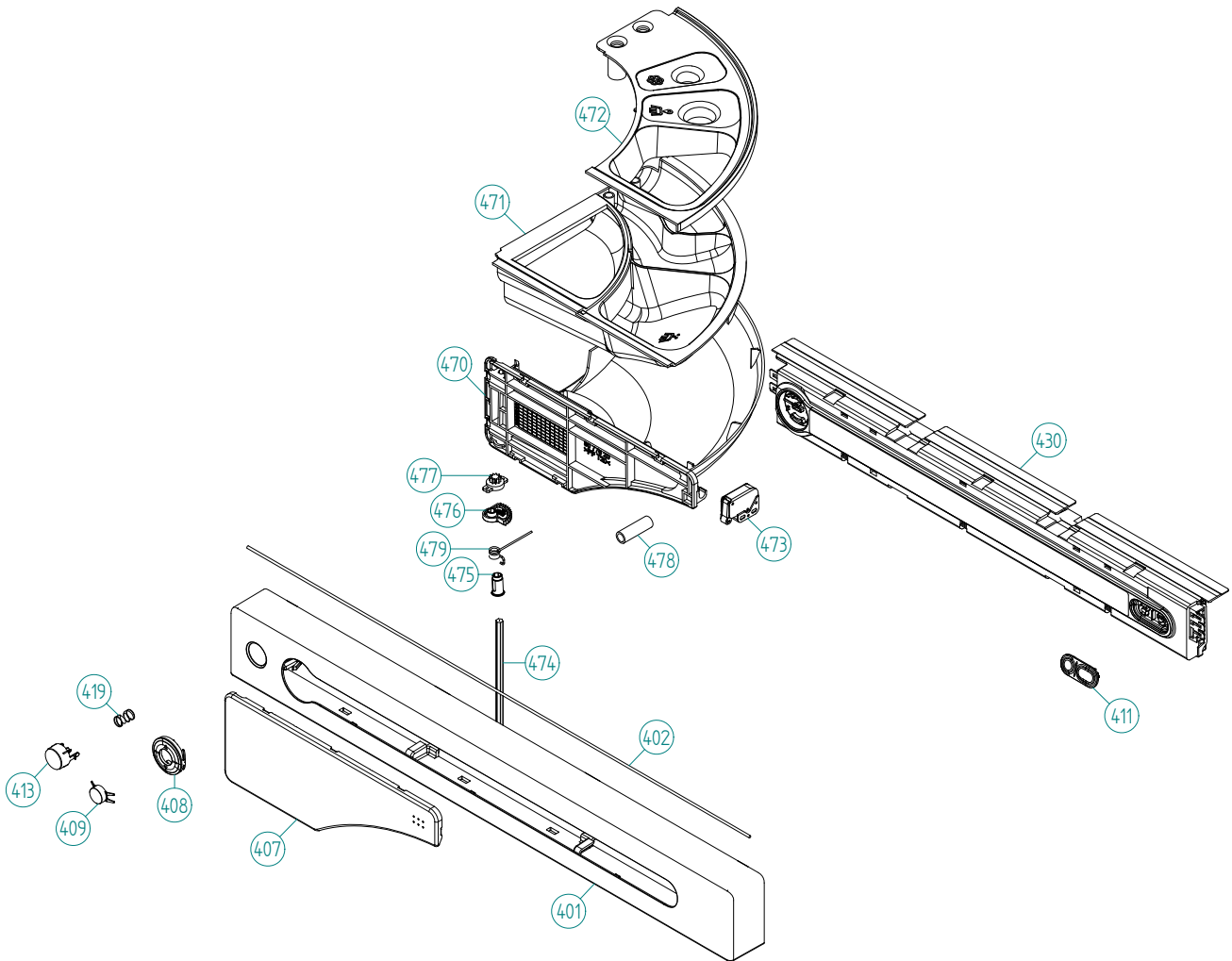
Pos	Spare part No.	Description	Qty	Comment
201	8801454	SPRINGLEG KIT WM70	1 Pc's	
202	8088443	RUBBER BUFFER SPRING LEG FEMA.	4 Pc's	
203	8088444	RUBBER BUFFER SPRING LEG MALE	4 Pc's	
204	8088445	RUBBER DAMPER SPRINGLEG	4 Pc's	
206	8088644	MOTOR CIM WM70	1 Pc's	
207	8058261	Spacer Tube Motor 05 WM	2 Pc's	
208	8063591	Screw	2 Pc's	
211	8089673	MOTOR CONTROL UNIT CIM-I	1 Pc's	
211-a	8901097	Screw Terminal	1 Pc's	
211-b	8901322	Washer	1 Pc's	
211-c	8080526	HOLDER CONTROL UNIT(MOTOR) UL4	1 Pc's	
215	8801516	Bellows Hose Outlet Pump w/Clamps	1 Pc's	
215-a	8063262	HOSE CLIP 80.0-708	1 Pc's	
215-b	8056471	Hose Clips	1 Pc's	
215-c	8084609	HOSE CLIP 39.6	1 Pc's	
215-c	8084609	HOSE CLIP 38,1	1 Pc's	
219	8061924	Pressure Chamber	1 Pc's	
219-c	8084609	HOSE CLIP 39.6	1 Pc's	
220	8080831	RUBBER HOSE 4,3X7,3X527	1 Pc's	
221	8801264	Drain Pump w/clamps	1 Pc's	
221-a	8801186	Seal Pump Insert	1 Pc's	
221-b	8801297	Pump insert	1 Pc's	
222	8061649	Rubber Buffer Drain Pump WM20	2 Pc's	
223	8061796	Rubber Ring Drain Pump WM20	1 Pc's	
224	8061725	Drain Hose WM20	1 Pc's	
224-a	8052731	HOSE CLIP 14,8	1 Pc's	
226	8061998	Outlet Hose WM20	1 Pc's	
226-a	8056491	HOSE CLIP 30.1-708	1 Pc's	
231	8801474	THERMISTOR COMPL. W. HOLDER	1 Pc's	
232	8061976	Cable Holder W600	2 Pc's	
238	8081659	GROMMET SR1702 10X6X1,5	4 Pc's	
240	8061706	HEATING ELEMENT 2000W 230V UL4	1 Pc's	



Cylinder and related parts

ASKO, W6984 US - Titan (WM70.3)

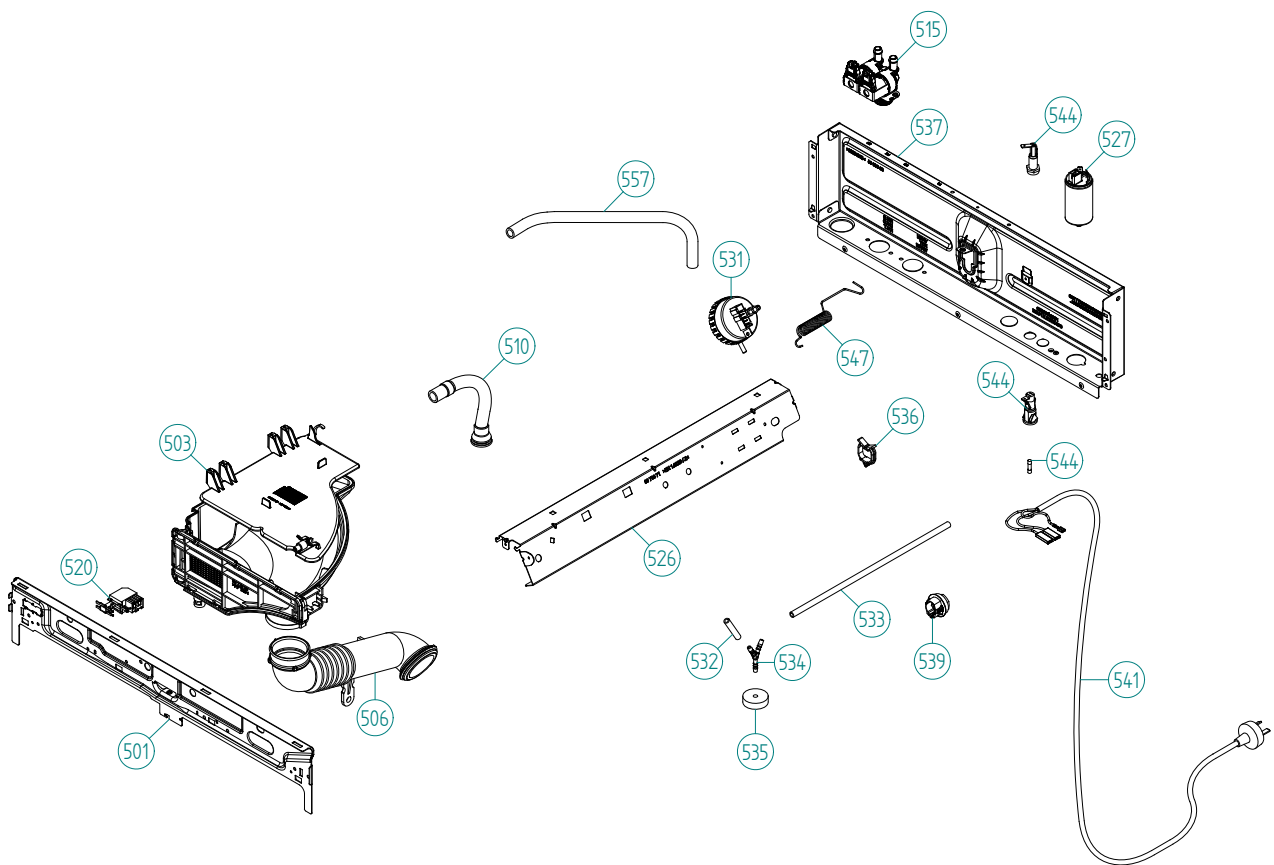
Pos	Spare part No.	Description	Qty	Comment
301	8081875-81	FRONT DOOR COMPL.	1 Pc's	
301	8082933-81	FRONT DOOR COMPL WM60	1 Pc's	
302	8076548-81	FRAME FRONT DOOR OUTER PART	1 Pc's	
303	8076547-49	Included with POS 301	1 Pc's	
304	8061685	Included with POS 301	1 Pc's	
305	8078973	LOCK HOOK UL4	1 Pc's	
306	8081128	SEALING FRONT DOOR WM60 UL4	1 Pc's	
307	8801321	KIT SECURING PLATE FRONT GLASS	1 Pc's	
311	8076560-81	COVER PLATE OUTER GREYMET.	1 Pc's	
311	8082563-81	COVER PLATE OUTER WM60.C	1 Pc's	
313	8082561	HINGE WM60.C COMPL.	1 Pc's	
313	8079471	HINGE COMPL.	1 Pc's	
313-a	8079877	SCREW MFT 8.8 M5X10 FZB	4 Pc's	
313-b	8901097	Screw Terminal	2 Pc's	
314	8076561-81	GAP SEALING	1 Pc's	
315	8081693	COVER PLATE INNER WM70	1 Pc's	
316	8076563	Balance Weight 5.1 KG	2 Pc's	
316-a	8901135	SCREW	4 Pc's	
318	8079873	DOOR LOCK	1 Pc's	
318-a	8902087	Screw Plastic Housing 20 Torx	2 Pc's	
319	8076566	EMERGENCY OPENER DOOR LOCK	1 Pc's	
320	8079959-UL	DOOR LOCK COVER	1 Pc's	
321	8081689	FRONT GABLE CONTAINER WM70	1 Pc's	
322	8081696	SEALING STRIP FRONT GABLE WM70	1 Pc's	
323	8081695-P	TENSIONRING WM70	1 Pc's	
325	8081676-P	DRUM Repl.by 8092250-P WM70	1 Pc's	
325	8092250-P	DRUM D480 COMPL. WM70	1 Pc's	
326	8090348	DRUM PADDLE WM70	3 Pc's	
326	8081678	DRUM PADDLE WM70	3 Pc's	
327	8081649	DRIVE BELT J5 1225	1 Pc's	
329	8801276	Kit Sealing Cassette	1 Pc's	
330	8056314	Bearing Comp WM Rear Panel	2 Pc's	
331	8801455	CONTAINER COMPL. WM70 1 EL.	1 Pc's	
332	8056810	Wave Washer WM	1 Pc's	
333	8056376	Pulley for Drum WM	1 Pc's	
335	8901052	Screw	1 Pc's	
338	8078975-81	COVER LOCK HOOK	1 Pc's	
339	8079283-81	HINGE COVER	1 Pc's	
339	8083250-81	COVER HINGE WM60.C	1 Pc's	
342	8089887	GUIDE-2 GLASS DOOR	1 Pc's	



Control Panel

ASKO, W6984 US - Titan (WM70.3)

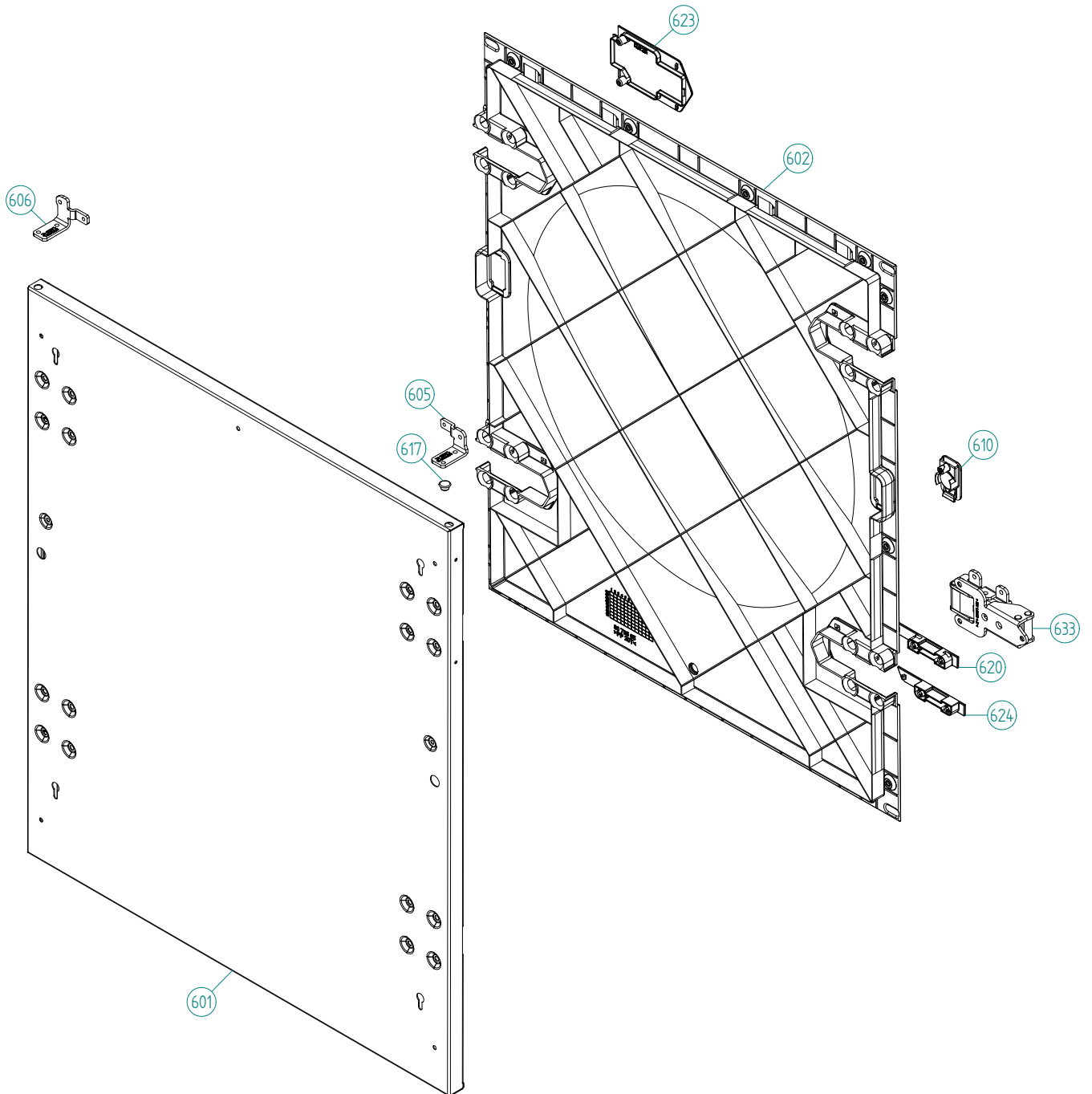
Pos	Spare part No.	Description	Qty	Comment
401	8089113-81-UL	PANEL ASKO W6984FI	1 Pc's	
402	8079749	Rubber Seal-Cntrl Panel to Brd	1 Pc's	
407	8076072-81	LID DETERGENT DISPENSER	1 Pc's	
408	8080405-81	PUSHBUTTON MENU UL4	1 Pc's	
409	8080406-81	PUSHBUTTON MENU INNER UL4	1 Pc's	
411	8080404-81	PUSHBUTTON START/STOP INT. WM	1 Pc's	
413	8080401-81	PUSHBU. MAIN SWITCH INTEGR.UL4	1 Pc's	
419	8079897	SPRING PUSHBUTTON MAIN SWITCH	1 Pc's	
430	8801441	CONTROL UNIT CPL. INT. WM70.3	1 Pc's	
468	8076209	NLA-GROUND CHAIN WM UL4	1 Pc's	
470	8077620	HOLDER DETERGENT COMPARTMENT	1 Pc's	
471	8077619	Det Disp Tray WM Swing out	1 Pc's	
472	8077142	SIPHON Liq DET Swing Compartment	1 Pc's	
473	8078925	PUSH LOCKING	1 Pc's	
474	8077621	SHAFT DETERGENT COMPARTMENT	1 Pc's	
475	8076159	BUSHING DETERGENT COMPARTMENT	3 Pc's	
476	8076189	GEAR RING DETERGENT CONTAINER	1 Pc's	
477	8078924	DAMPER DETERGENT COMPARTMENT	1 Pc's	
478	8081698	SPACER DETERGENT COMP. 30MM	1 Pc's	
478-a	8901980	SCREW PTK 40X40 WN1452 FZB T20	1 Pc's	Ritning saknas
479	8077622	TORSION SPRING	1 Pc's	



Upper session

ASKO, W6984 US - Titan (WM70.3)

Pos	Spare part No.	Description	Qty	Comment
501	8076029	FRONTBEAM	1 Pc's	
501-a	8902362	Screw 20 Torx Self Tapping	2 Pc's	
501-b	8901413	Lock Washer laundry tops	2 Pc's	
503	8081808	Det Compt Compl WM Swing Out	1 Pc's	
503-a	8901970	Screw	1 Pc's	
503-b	8902072	SCREW PT KB40X10 WN1442 GALV	1 Pc's	
506	8081670	BELLOW HOSE INLET WM60 UL4	1 Pc's	
506-a	8063607	HOSE CLIP 57,5	1 Pc's	
510	8061736	Ventilation Hose WM20	1 Pc's	
510-a	8052730	HOSE CLIP 21,0	1 Pc's	
515	8083880	INLET VALVE 2-WAY	1 Pc's	
515-a	8901097	Screw Terminal	2 Pc's	
520	8073782	MAIN PUSH SWITCH	1 Pc's	
526	8078971	UNIT FOR ELECTR. COMP.	1 Pc's	
527	8076202	EMC-FILTER WITH INDUCTOR	1 Pc's	
527-a	8901155	Nut	1 Pc's	
527-b	8901419	Lock Washer	1 Pc's	
529	8079710	CABLE SET IV WM UL4	1 Pc's	
529	8079711	CABLE SET P WM UL4	1 Pc's	
529	8079716	CABLE SET N AP LL WM UL4	1 Pc's	
529	8079717	CABLE SET EL WM UL4	1 Pc's	
529	8080187	CABLE SET MC P CIM-I WM UL4	1 Pc's	
529	8080188	CABLE SET MC C CIM-I W UL4	1 Pc's	
529	8089034	CABLE SET MOTOR I WM UL4	1 Pc's	
529	8084426	CABLE BUNDLE WM60.3	1 Pc's	
531	8089766	LEVEL SWITCH WM70	1 Pc's	
532	8080832	RUBBER HOSE 4,3X7,3X72	1 Pc's	
533	8080617	RUBBER HOSE 4,3X7,3X260	1 Pc's	
534	8051843	Y Pipe Water Level SW WM	1 Pc's	
535	8061997	Ground Level Switch Hose WM20	2 Pc's	
536	8061975	Cable Holder	1 Pc's	
537	8089748	CROSS BEAM	1 Pc's	
537-a	8900327	Screw 20 Torx Self Tapping	5 Pc's	
539	8006948	Grommet	1 Pc's	
541	8064210	PWR Cord w/flat pin sleeves	1 Pc's	
544	8065573	FUSE HOLDER GREY 15A US/CA	2 Pc's	
544-a	8058140	BK/MDA15 Fuse All laundry	2 Pc's	
544-b	8801354	Fuse Holder Assembly	2 Pc's	For units produced before wk 34 2002
544-c	8801354	Fuse Holder Assembly	2 Pc's	For units produced before wk 34 2002
547	8095135	BALANCING SPRING	1 Pc's	
547	8089723	BALANCING SPRING	2 Pc's	
557	8058502	RUBBER HOSE 10X15X360 UL1	2 Pc's	



Outer Door

ASKO, W6984 US - Titan (WM70.3)

Pos	Spare part No.	Description	Qty	Comment
601	8076033-P-81	Outer Door	1 Pc's	
602	8076565-P-49	Inner Door Integrated	1 Pc's	
605	8077599-81	HINGE UPPER R	1 Pc's	
605-a	8900327	Screw 20 Torx Self Tapping	3 Pc's	
605-b	8901097	Screw Terminal	1 Pc's	
605-c	8061804	HINGE PIN	1 Pc's	
606	8079489-81	HINGE UPPER L	1 Pc's	
606-a	8900327	Screw 20 Torx Self Tapping	3 Pc's	
606-b	8901097	Screw Terminal	1 Pc's	
606-c	8061804	HINGE PIN	1 Pc's	
610	8080934-49	MAGNET LOCK COMPL.	2 Pc's	
610-a	8902087	Screw Plastic Housing 20 Torx	1 Pc's	
617	8061953-81	Door Plug Titanium	2 Pc's	
620	8077512-49	COVER 2 HINGE INNER DOOR INTE.	2 Pc's	
623	8077499-49	COVER FOR INNER DOOR INTEGR.	1 Pc's	
623-a	8902072	SCREW PT KB40X10 WN1442 GALV	1 Pc's	
624	8077500-49	COVER 1 HINGE INNER DOOR INTE.	2 Pc's	
633	8077497	HINGE INTEGRATED	1 Pc's	
633-a	8079877	SCREW MFT 8.8 M5X10 FZB	3 Pc's	
633-b	8902133	Screw	4 Pc's	

CABLE POSITIONS

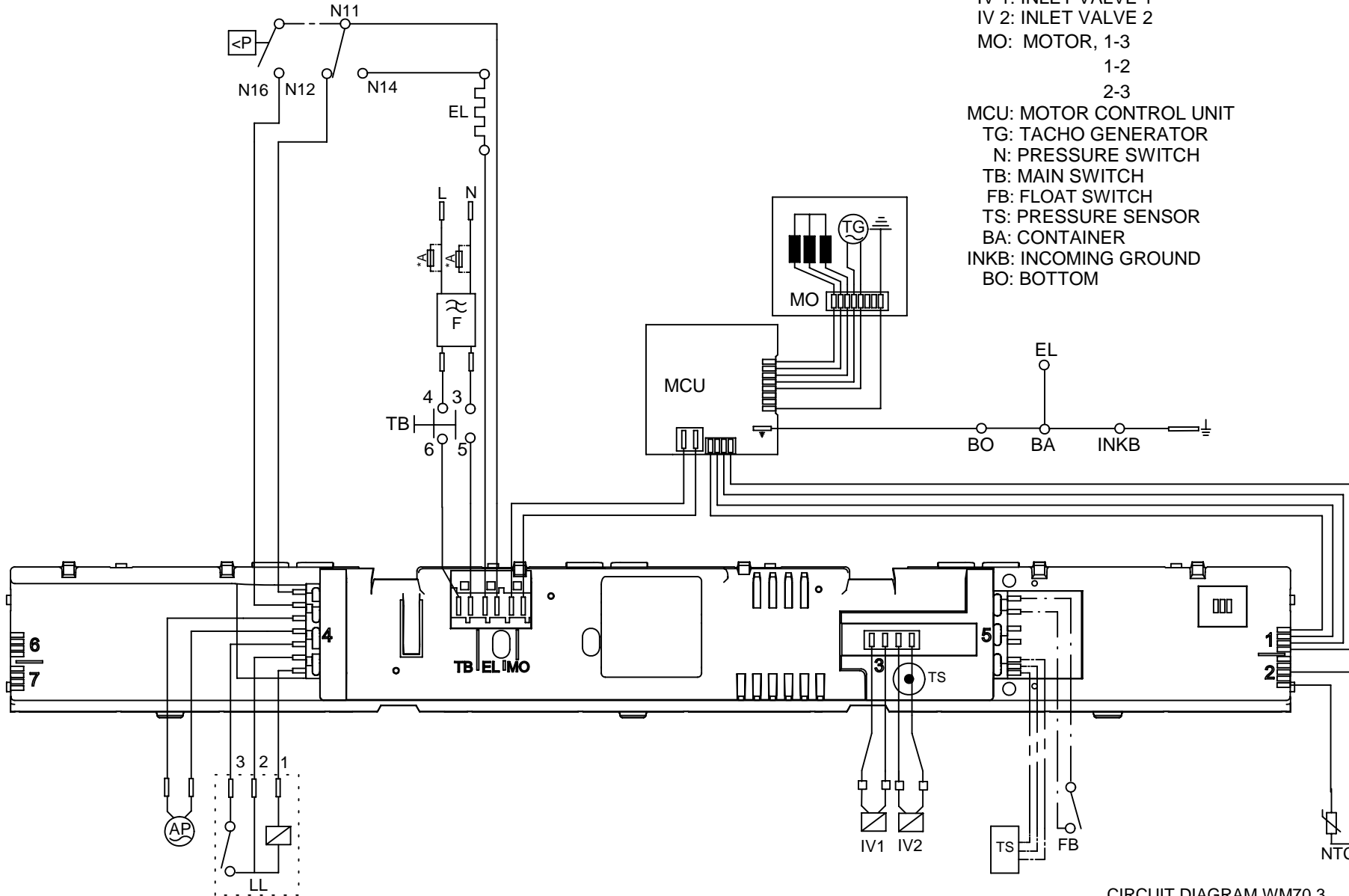
- 1: MOTOR COMMUNICATION
- 2: THERMISTOR
- 3: INLET VALVES
- 4: DOOR LOCK, DRAIN PUMP, PREASSURE SWITCH
- TB: POWER
- EL: HEATING ELEMENT, PREASSURE SWITCH
- MO: MOTOR POWER

- WIRES IN ALL MACHINES
- - - - INTERNAL CONNECTION
- · — · WIRES IN SOME MACHINES
- *A FUSE CONNECTION USA & CANADA

RESISTANCES AT ROOM TEMPERATURE (CA. 20°C/68°F)
 VALUES WITH +/-10% ARE REGARDED AS NORMAL COMPONENT

- F: RADIO INTERFERENCE SUPPRESSION FILTER 680K Ohm
- EL: HEATING ELEMENT 25 Ohm
- AP: DRAIN PUMP 50 Hz 144 Ohm
- AP: DRAIN PUMP 60 Hz 76 Ohm
- LL: DOOR LOCK 122 Ohm
- NTC: THERMISTOR 6.1 - 3.8 K Ohm
- IV 1: INLET VALVE 1 3.7 K Ohm
- IV 2: INLET VALVE 2 3.7 K Ohm
- MO: MOTOR, 1-3 4,3±7% Ohm
- 1-2 4,3±7% Ohm
- 2-3 4,3±7% Ohm

- MCU: MOTOR CONTROL UNIT
- TG: TACHO GENERATOR
- N: PRESSURE SWITCH
- TB: MAIN SWITCH
- FB: FLOAT SWITCH
- TS: PRESSURE SENSOR
- BA: CONTAINER
- INKB: INCOMING GROUND
- BO: BOTTOM



CIRCUIT DIAGRAM WM70.3

80 886 17 - 00

This document must not be copied without our written permission, and the contents thereof must not be imparted to a third party nor be used for any unauthorized purpose. Contravention will be prosecuted. Asko Appliances AB