

This Owner's Manual is provided and hosted by [Appliance Factory Parts](#).



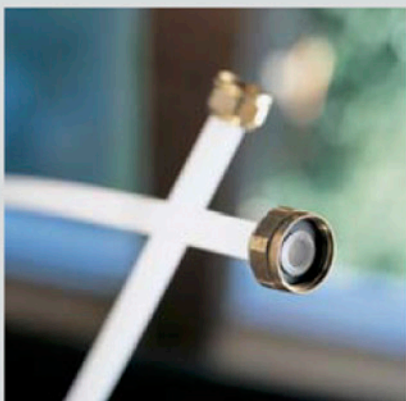
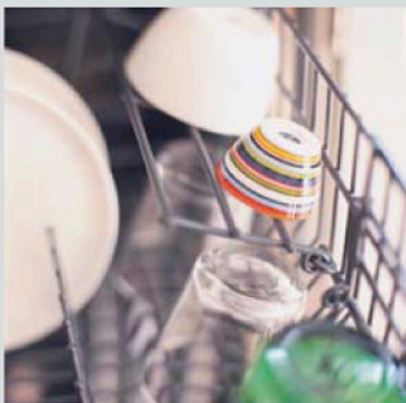
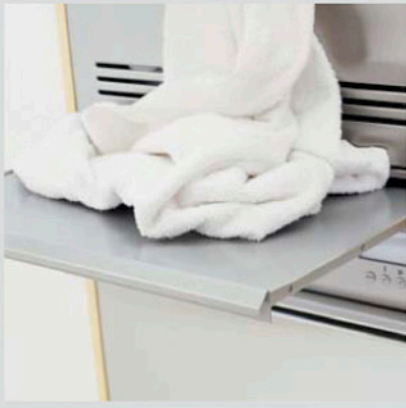
ASKO WL6511XXLRR Owner's Manual

[Shop genuine replacement parts for ASKO
WL6511XXLRR](#)



[Find Your ASKO Washer Parts - Select From 53 Models](#)

----- Manual continues below -----



Spare Parts Catalogue

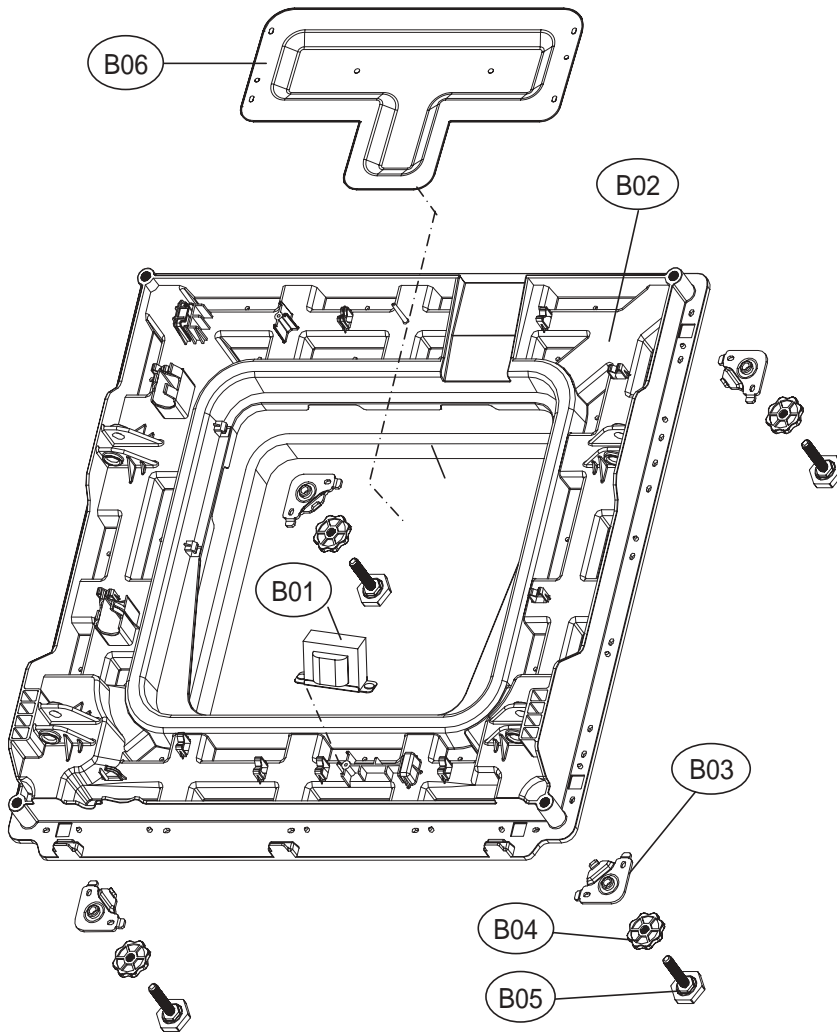
Washing Machines \ ASKO XXL Series
Type: WL6511
Model: WL6511XXLRR Washer XXL

Prod. No: 1076511RR
February 11th 2009

ASKO Appliances Inc.

4001 E Plano Parkway #1004001 E Plano Parkway #100
Plano, Texas 75074

2. BASE UNIT ASS'Y

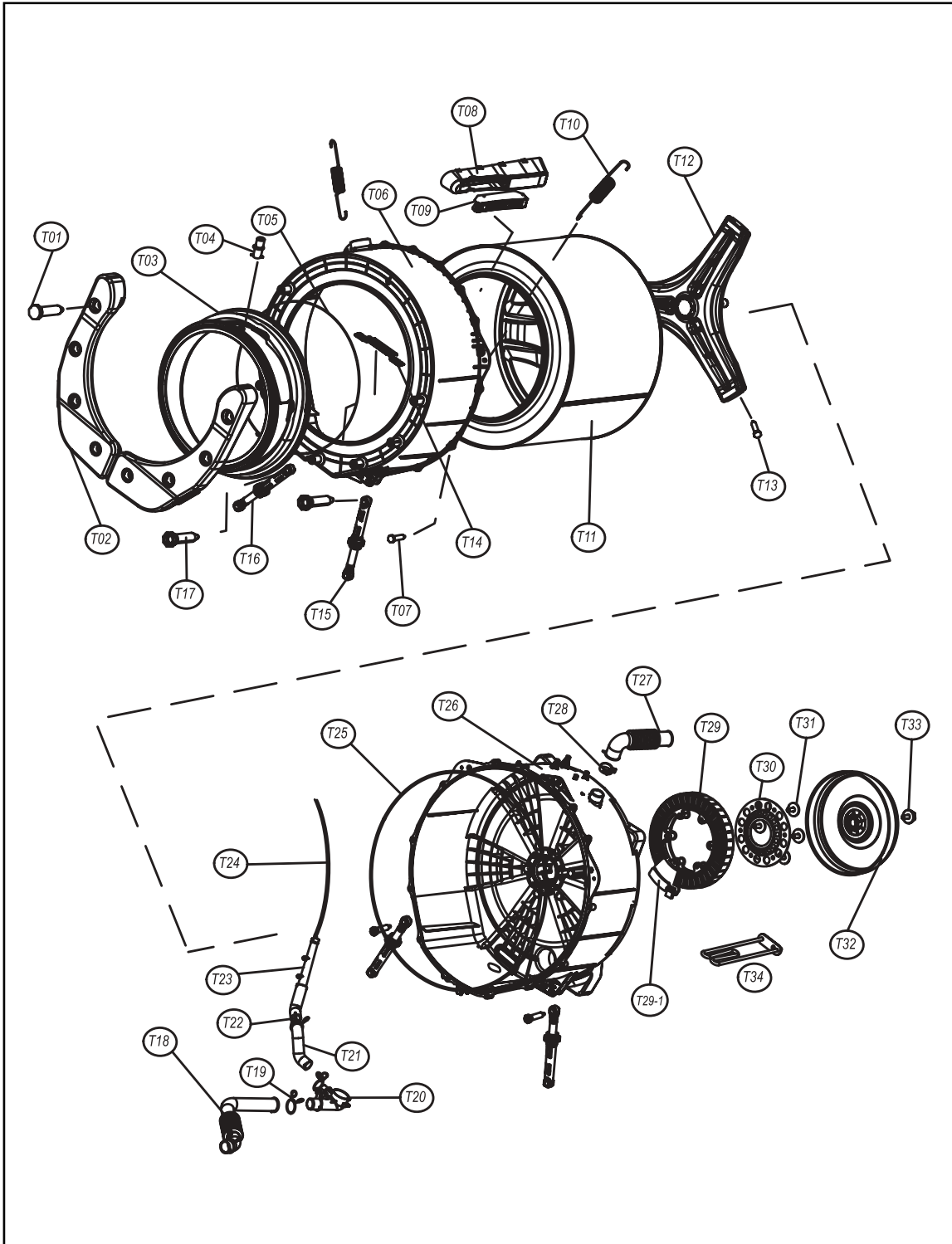


Base Assembly

ASKO, WL6511XXLRR - Washer XXL (WL6511)

Pos	Spare part No.	Description	Qty	Comment
B01	52G043A110	Voltage Regulator	1 Pc's	
B02	3610392700	Base	1 Pc's	
B03	3615303600	Leg Support	4 Pc's	
B04	3612006400	Leg Locking Nut	4 Pc's	
B05	3612100700	Leg, Adjustable	4 Pc's	
B06	3618304600	Heater Protection Plate	1 Pc's	
B06a	7122401411	Screw - Self Tapping	4 Pc's	
B06b	7122401411	Screw - Self Tapping	20 Pc's	
C20d	3613557100	UL Wiring Label	1 Pc's	

3. WASH TUB ASS'Y



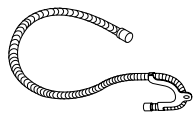
Wash Tub Assembly

ASKO, WL6511XXLRR - Washer XXL (WL6511)

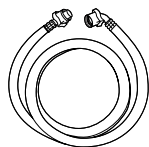
Pos	Spare part No.	Description	Qty	Comment
T01	3616029400	Weight Balancer Screw	8 Pc's	
T02	3616106900	Weight Balancer Left	1 Pc's	
T02a	3616106800	Weight Balancer Right	1 Pc's	
T03	3612322000	Tub Gasket	1 Pc's	
T04	3618104000	Shower Nozzle	1 Pc's	
T05	3611205300	Clamp - Tub Gasket	1 Pc's	
T06	3618828Y00	Tub Front	1 Pc's	
T07	3616029800	Tub Screw	15 Pc's	To affix Tub Front & Tub Rear
T08	361A400700	Tub Paddle	3 Pc's	
T09	3610917310	Paddle Filter Cap	3 Pc's	
T09a	3611908410	Paddle Filter	3 Pc's	
T10	3615114800	Suspension Spring	2 Pc's	
T11	3617008X00	Inner Drum	1 Pc's	
T12	361A300600	Spider, Inner Drum	1 Pc's	
T13	3616029500	Screw - Spider	6 Pc's	To affix Spider to Inner Drum
T14	3612006700	Heater Clip	1 Pc's	
T15	361A700300	Spring Leg - Right Front/Rear	2 Pc's	Right - Front & Rear
T16	361A700110	Spring Leg - Left Front/Rear	2 Pc's	Left - Front & Rear
T17	361A700200	Pin - Spring Leg	8 Pc's	
T18	3613269000	Hose - Drain Pump	1 Pc's	
T19	3611203410	Hose Clamp	2 Pc's	
T20	36196TAM00	Drain Housing	1 Pc's	
T21	3613269700	Air Trap Hose	1 Pc's	
T22	3611204700	Hose Clamp	2 Pc's	
T23	361A500101	Air Trap	1 Pc's	
T24	3613270600	Hose, Pressure Switch	1 Pc's	
T25	3612321100	Tub Seal	1 Pc's	
T26	3618828Z00	Tub Rear	1 Pc's	
T27	3613266300	Bellows Hose, Upper	1 Pc's	
T28	3611203400	Hose Clamp	2 Pc's	
T29	36189L4840	Motor Unit	1 Pc's	
T29-1	3426D01002	Hall IC Bldc	1 Pc's	
T30	3610609700	Bracket, Motor Unit	1 Pc's	
T31	3616063400	Bolt, Motor	6 Pc's	To affix Motor Unit to Tub Rear
T32	36189L4900	Rotor Unit	1 Pc's	
T33	3616029600	Bolt, Rotor	1 Pc's	To affix Rotor Unit to Spider Shaft
T34	3612801740	Heating Element	1 Pc's	

8. WASHER INSTALL ACCESSORIES

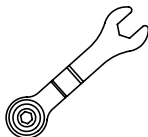
A01



A02



A03



A04



A05

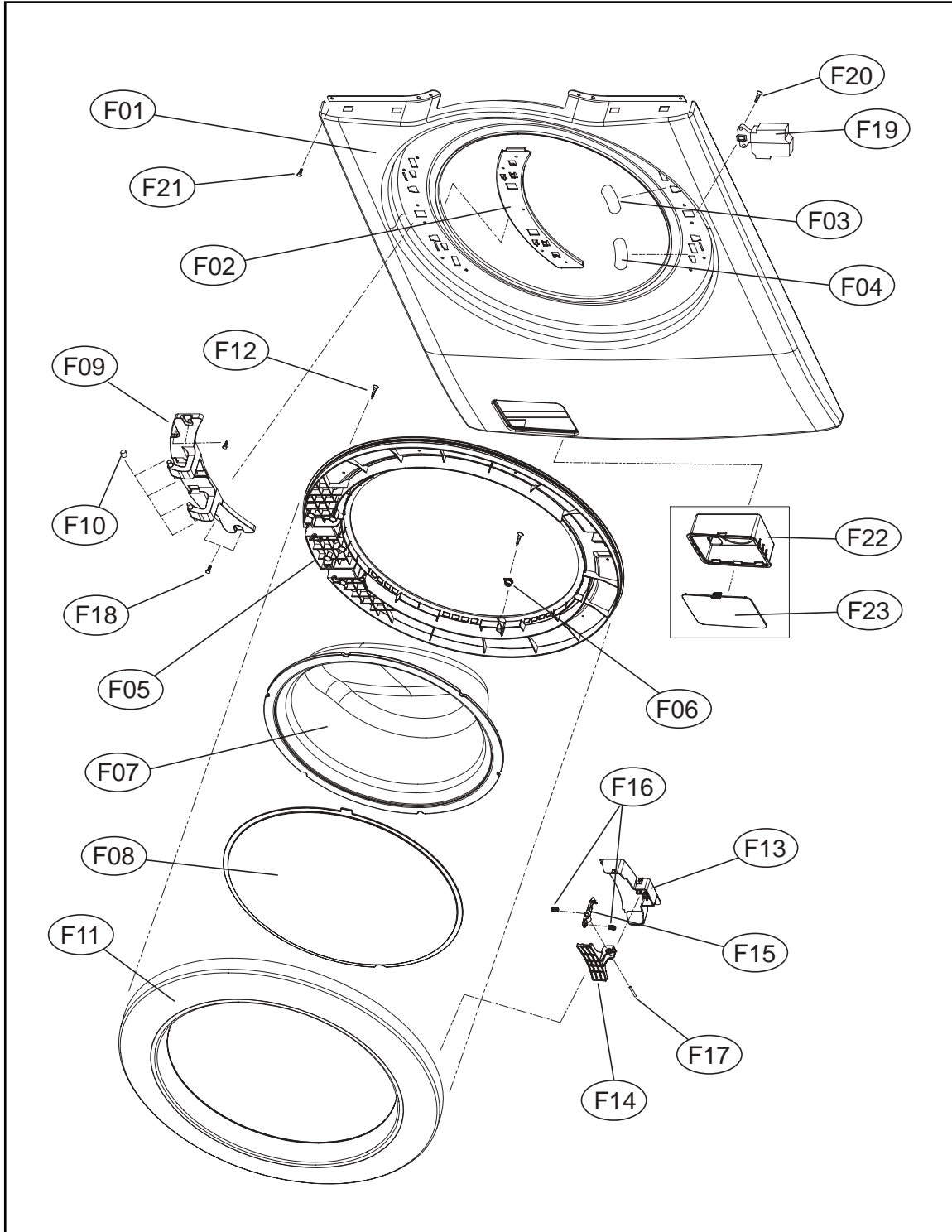


Installation Parts

ASKO, WL6511XXLRR - Washer XXL (WL6511)

Pos	Spare part No.	Description	Qty	Comment
A01	3613268500	Drain Hose	1 Pc's	
A01a	3612502300	Drain Hose Bracket	1 Pc's	
A02	3613271500	Inlet Hose - Cold	1 Pc's	
A02a	3613271510	Inlet Hose - Hot	1 Pc's	
A03	36189L3X00	Unit Wrench	1 Pc's	
A04	4589A61700	Owners Manual	1 Pc's	English & French
A05	3610916400	Back Cover Cap	4 Pc's	To fill holes left when removing shipping bolts
T03	3613558600	Caution Label	1 Pc's	
T03a	3613558310	Energy guide	1 Pc's	

5. CABINET FRONT ASS'Y



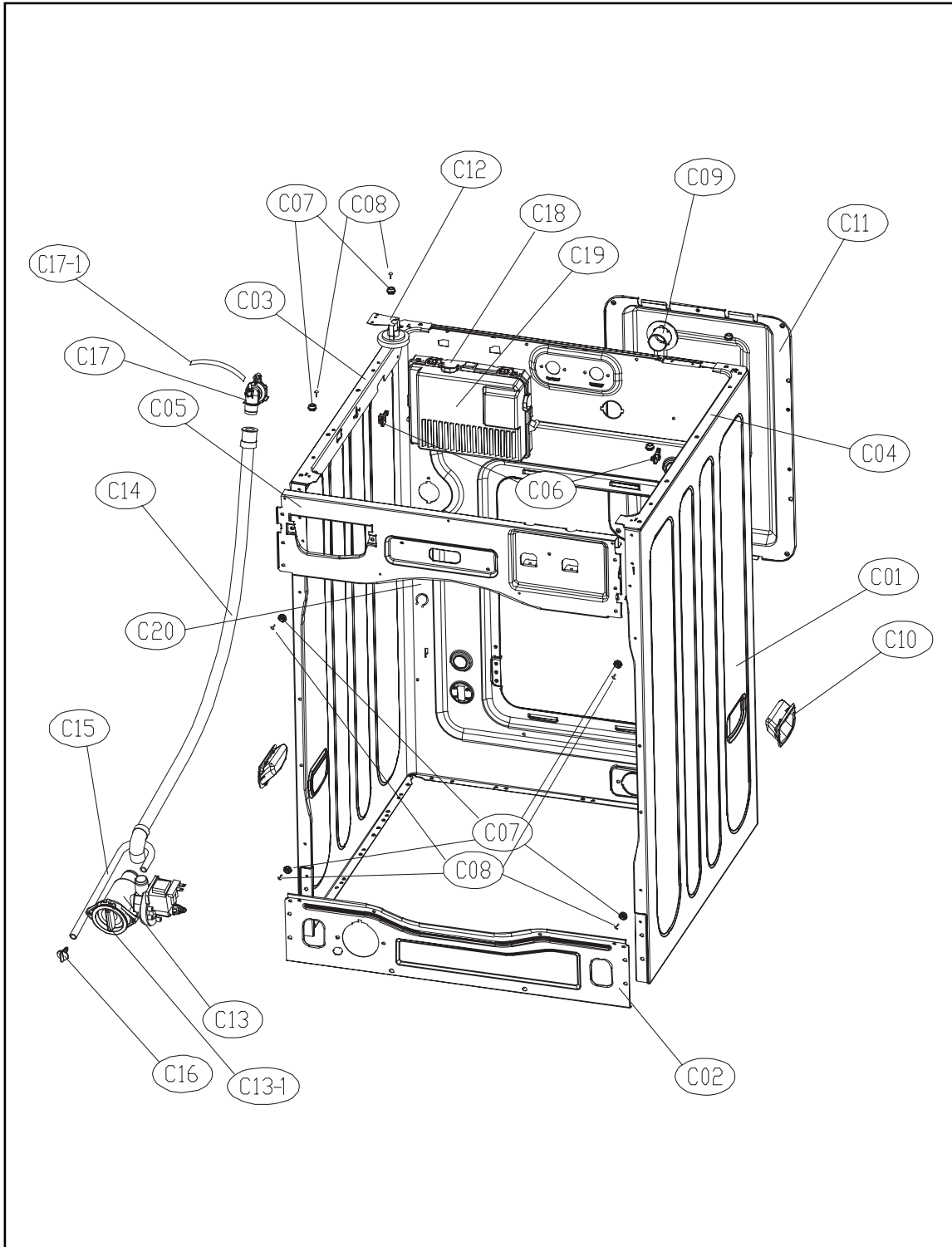
Cabinet Front Assembly

ASKO, WL6511XXLRR - Washer XXL (WL6511)

Pos	Spare part No.	Description	Qty	Comment
F01	3610811820RR	Cabinet Front Panel	1 Pc's	
F02	3615304000	Hinge Support	1 Pc's	
F03	3613555800	Safety Label	1 Pc's	
F04	3613558500	Warning Label	1 Pc's	
F04a	3613558200	Rating Label	1 Pc's	
F05	3612206800	Door Frame - Inner	1 Pc's	
F06	3615202300	Door Stopper	1 Pc's	
F07	361A110600	Door Glass	1 Pc's	
F08	3618304300	Door Glass Protection	1 Pc's	
F09	3612902901RR	Door Hinge	1 Pc's	
F10	3610916500	Door Hinge Cap	4 Pc's	
F11	3612206910	Door Frame - Outer	1 Pc's	
F12	7115402029	Screw - Self Tapping	16 Pc's	
F13	3611426720	Door Handle Cover	1 Pc's	
F14	3612609000	Door Handle	1 Pc's	
F15	3613100800	Door Hook	1 Pc's	
F16	3615113700	Hook Spring	2 Pc's	
F17	3618200100	Handle Pin	1 Pc's	
F18	3616051229	Screw - Self Tapping	4 Pc's	
F19	3619046410	Door Switch Lock	1 Pc's	
F20	7122401608	Screw - Self Tapping	2 Pc's	Affix door switch to cabinet front
F21	3616029950	Screw - Self Tapping	4 Pc's	Affix cabinet front to cabinet
F22	3611141400	Drain Pump Case	1 Pc's	
F23	3611426800RR	Drain Pump Case Cover	1 Pc's	

■ PARTS LIST BY ASS'Y

1. CABINET ASS'Y

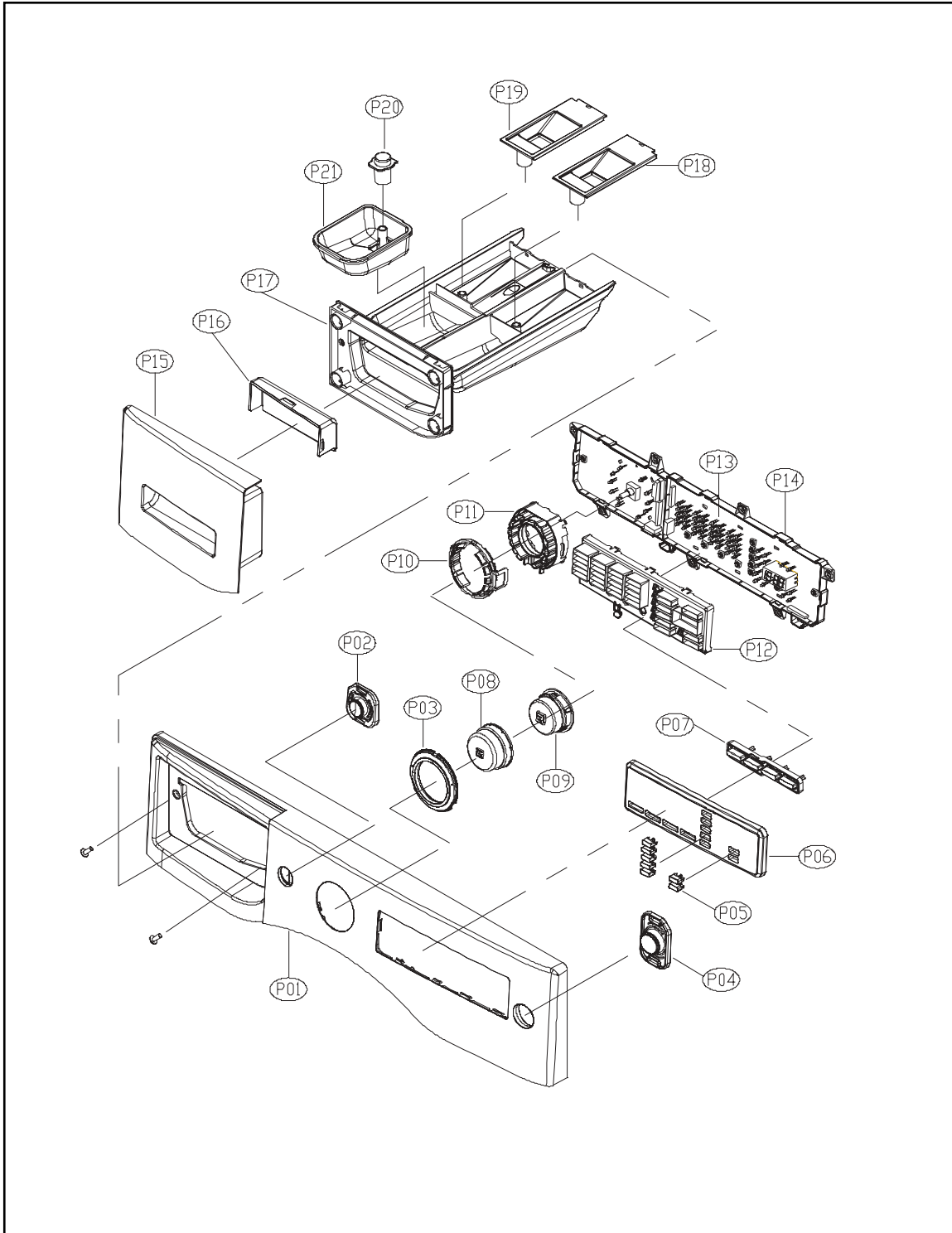


Cabinet Assembly

ASKO, WL6511XXLRR - Washer XXL (WL6511)

Pos	Spare part No.	Description	Qty	Comment
C01	3610811950	Cabinet Complete	1 Pc's	Complete assembly includes C2, C3, C4
C02	3612206700	Front Frame - Lower	1 Pc's	
C03	3612206500	Frame Top - Left	1 Pc's	
C04	3612206600	Frame Top - Right	1 Pc's	
C05	3612208200	Front Frame - Upper	1 Pc's	
C05a	7122401411	Screw - Self Tapping	6 Pc's	
C06	3615202200	Spring Clip	2 Pc's	
C07	3612008000	Panel Clip	8 Pc's	
C08	7121401211	Screw - Self Tapping	8 Pc's	
C09	3618103110	Air Nozzle	1 Pc's	
C10	3612608100RR	Cabinet Handle	2 Pc's	
C11	3611425530	Back Cover	1 Pc's	
C11a	7122401411	Screw - Self Tapping	4 Pc's	
C12	3614825220	Pressure Sensor	1 Pc's	
C12a	7122401411	Screw - Self Tapping	1 Pc's	
C13	36189L5600	Drain Pump	1 Pc's	
C13-1	3611910200	Pump Insert/Filter	1 Pc's	
C13-1a	7122401411	Screw - Self Tapping	1 Pc's	
C14	3613271300	Drain Hose	1 Pc's	
C14a	3611203900	Hose clamp	2 Pc's	
C14b	3610115600	Drain Hose Absorber	1 Pc's	
C15	3613271410	Manual Drain Hose - Drain Pump	1 Pc's	
C16	3610916800	Plug - Manual Drain Hose	1 Pc's	
C17	3616802600	Drain Hose Cuff	1 Pc's	
C17-1	3613272210	Siphon Hose	1 Pc's	
C17-1a	7122401411	Screw - Self Tapping	1 Pc's	
C18	PRPSSWAD09	Main PCB - Power	1 Pc's	
C18a	3611141610	Case - Main PCB	1 Pc's	
C19	3611427700	Cover - Main PCB	1 Pc's	
C20	3612796T00	Harness	1 Pc's	
C20a	7122401411	Screw - Self Tapping	1 Pc's	
C20b	3613802300	Harness Clip	6 Pc's	Rear cabinet panel
C20c	3613802100	Harness Clip	2 Pc's	Right top frame

6. CONTROL PANEL ASS'Y

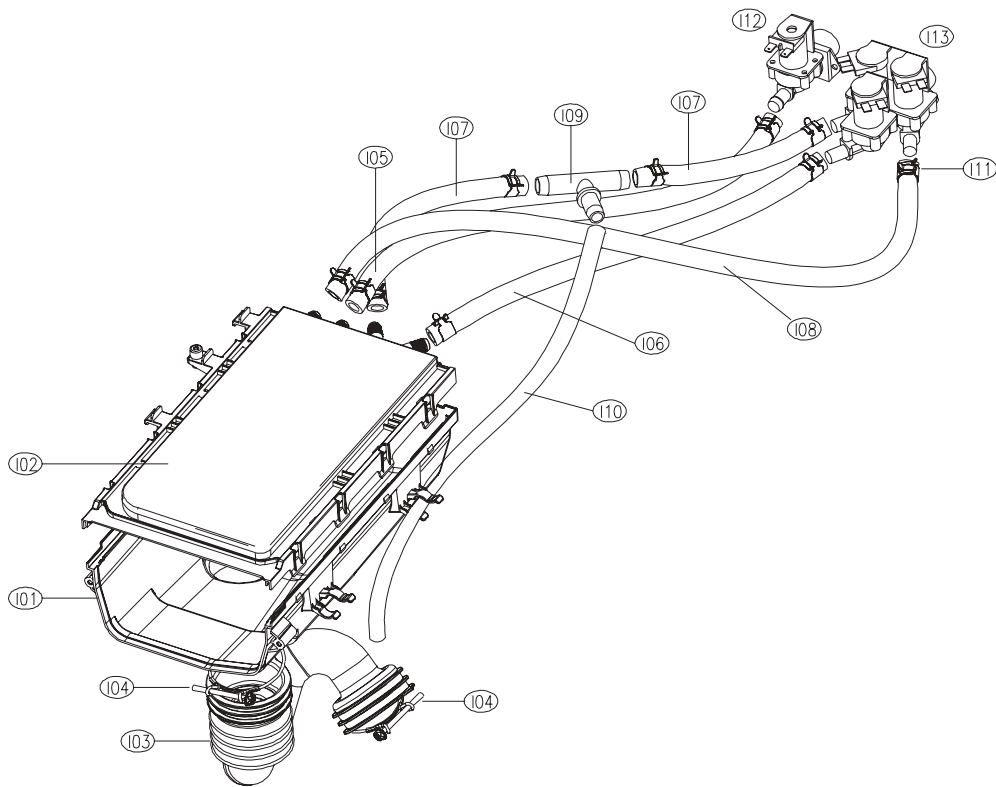


Control Panel Assembly

ASKO, WL6511XXLRR - Washer XXL (WL6511)

Pos	Spare part No.	Description	Qty	Comment
P01	3614288800RR	Control Panel	1 Pc's	
P02	3616637800RR	Power Button	1 Pc's	
P03	3615506300RR	Lens Cover - Prg Selector	1 Pc's	
P04	3616637900RR	Start Button	1 Pc's	
P05	3616638100RR	Option Button	7 Pc's	
P06	3615506400RR	Program Lens Cover	1 Pc's	
P07	3616638000RR	Program Option Button	1 Pc's	
P08	3616638200RR	Program Knob - Outer	1 Pc's	
P09	3616638300RR	Program Knob - Inner	1 Pc's	
P10	3613054700	Program Knob Lens	1 Pc's	
P11	3613054500	Program Knob Lens Holder	1 Pc's	
P12	3613054600	Lens Cover - Prg Option	1 Pc's	
P13	PRPSSWAD29	Control Unit - PCB Front	1 Pc's	
P14	3611147600	Control Unit Case - PCB Front	1 Pc's	
P14a	7122401829	Screw - Self Tapping	2 Pc's	To affix control panel to upper frame
P14b	71224012411	Screw - Self Tapping	7 Pc's	To affix PCB case to control panel
P15	3611147700RR	Det. Compartment Handle	1 Pc's	
P16	3612611400RR	Handle Cover	1 Pc's	
P17	3611145600	Det. Compartment Drawer	1 Pc's	
P18	3610917800	Softner Compartment	1 Pc's	
P19	3610917900	Bleach Compartment	1 Pc's	
P20	3610918000	Liquid Det. Syphon Cap	1 Pc's	
P21	3611145700	Liquid Det. Compartment	1 Pc's	

4. INLET SYSTEM ASS'Y

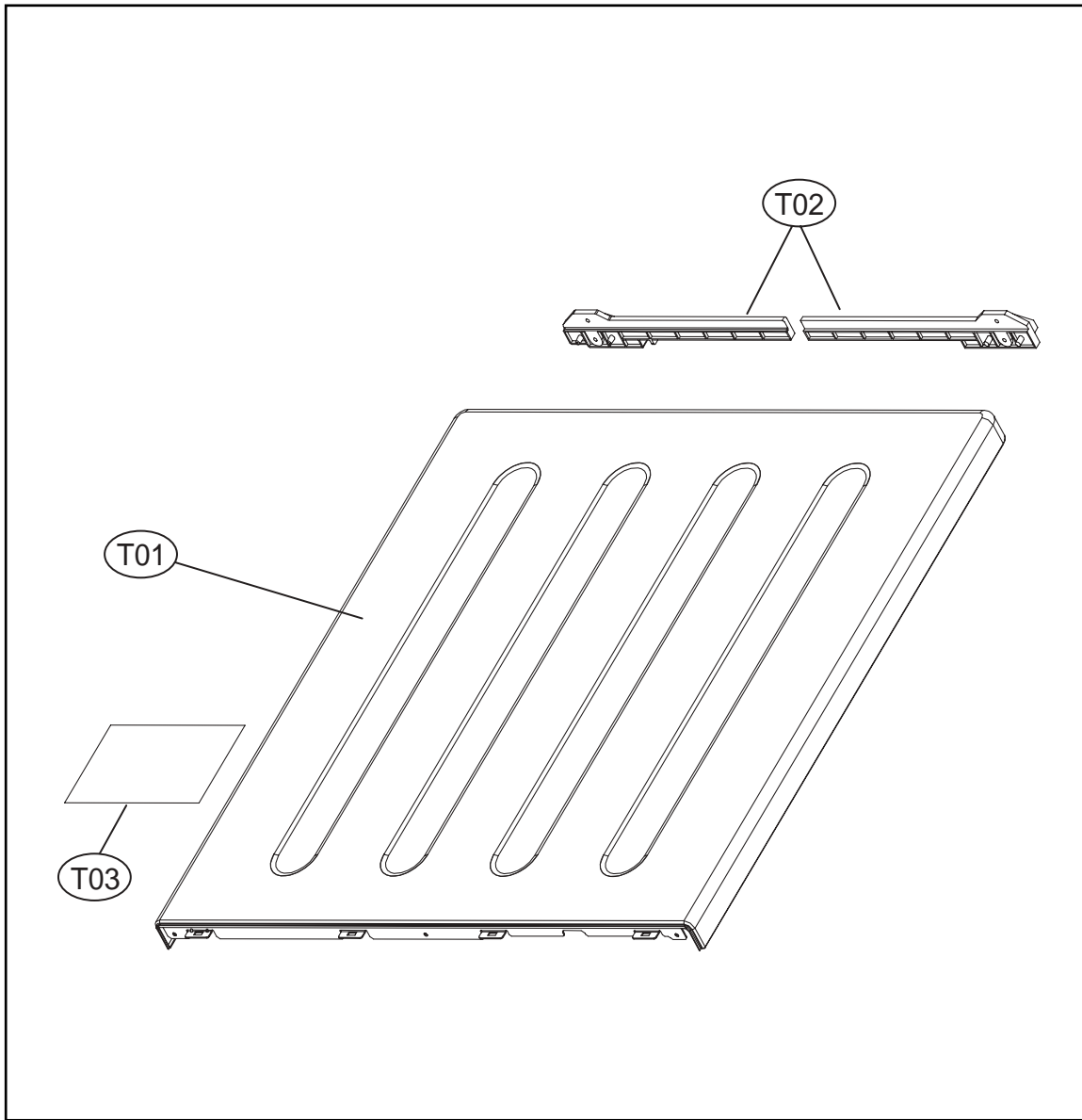


Inlet System Assembly

ASKO, WL6511XXLRR - Washer XXL (WL6511)

Pos	Spare part No.	Description	Qty	Comment
I01	3617510800	Water Inlet Compartment - Bottom	1 Pc's	
I02	3618104800	Water Inlet Compartment - Top	1 Pc's	
I03	3613270300	Bellows Hose, Tub	1 Pc's	
I04	3611203200	Clamp, Bellows Hose	2 Pc's	
I05	3613270920	Inlet Hose - Hot Valve	1 Pc's	
I06	3613270920	Inlet Hose - Hot Valve	1 Pc's	
I07	3613270920	Inlet Hose - Hot Valve	2 Pc's	
I08	3613270920	Inlet Hose - Hot Valve	1 Pc's	
I09	3614413300	T Connector, Inlet Hose	1 Pc's	
I10	3613270130	Shower Hose	1 Pc's	
I11	3611205810	Spring Clamp	10 Pc's	
I12	3615416700	Inlet Valve, 1 way - Hot	1 Pc's	
I13	3615416930	Inlet Valve, 3 way - Cold	1 Pc's	
I13a	7002400811	Screw - Self Tapping	4 Pc's	To affix inlet valve to cabinet
I13b	7122401411	Screw - Self Tapping	1 Pc's	

7. TOP PANEL ASS'Y



Top Panel Assembly

ASKO, WL6511XXLRR - Washer XXL (WL6511)

Pos	Spare part No.	Description	Qty	Comment
T01	3614533010RR	Top Panel	1 Pc's	
T02	3615304100RR	Top Panel Support	2 Pc's	
T02a	7122401411	Screw - Self Tapping	2 Pc's	

Wiring Diagram

