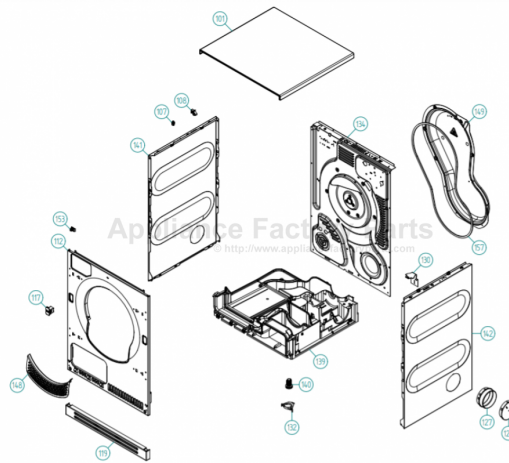


This Owner's Manual is provided and hosted by [Appliance Factory Parts](http://www.appliancefactoryparts.com).



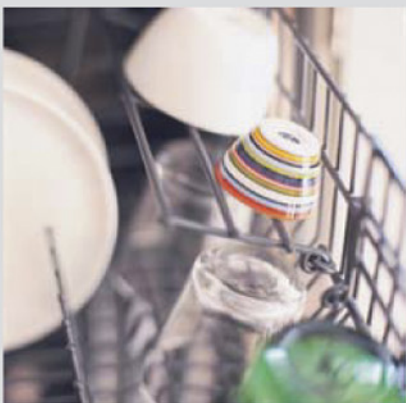
ASKO T744 Owner's Manual

[Shop genuine replacement parts for ASKO T744](#)



[Find Your ASKO Dryer Parts - Select From 73 Models](#)

----- Manual continues below -----



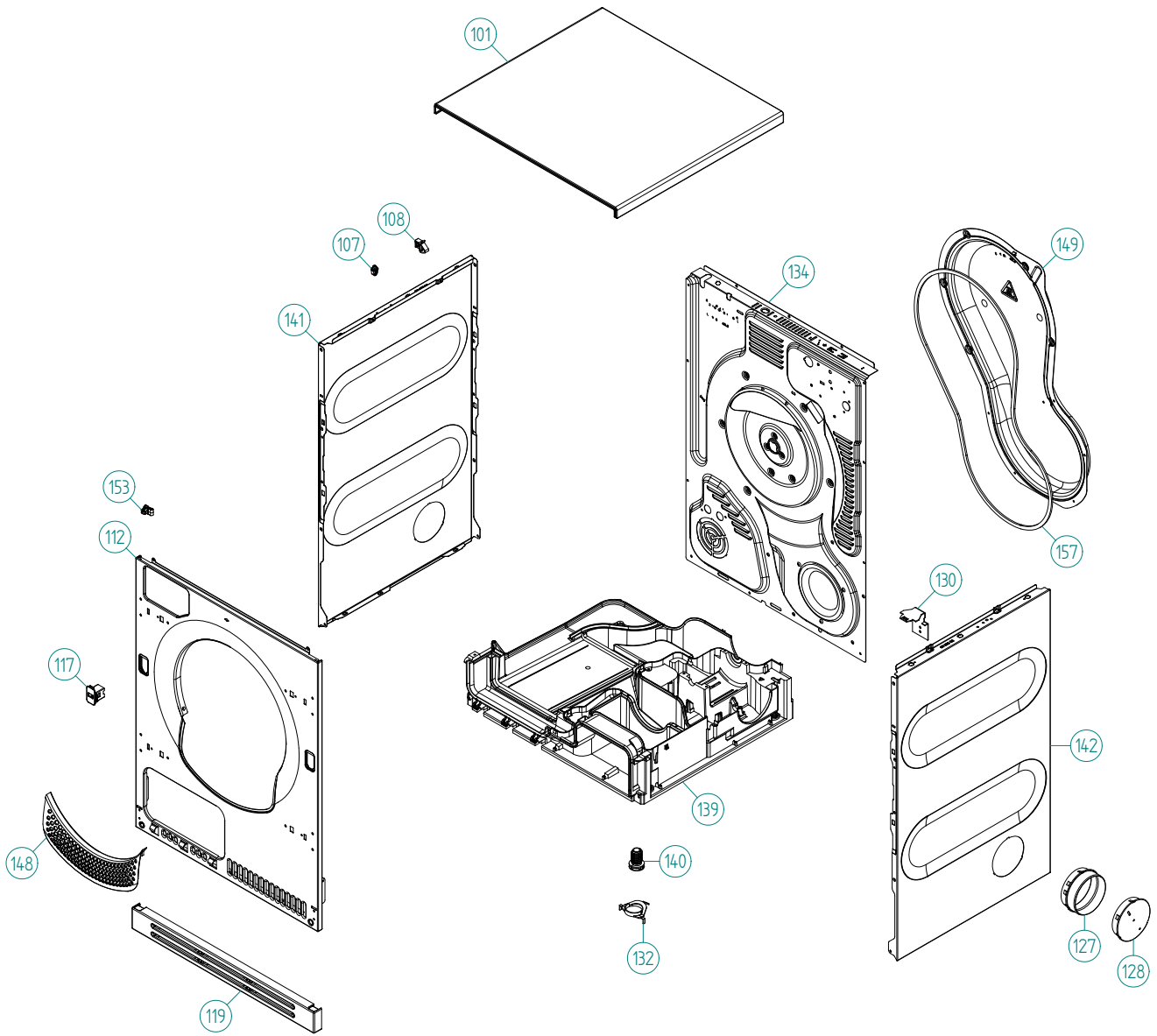
Spare Parts Catalogue

ASKO Tumble Dryers \ ASKO 700 Series Vented
Type: TD70.1
Model: T744 US Titan

Prod. No: 10774406
February 2nd 2013

ASKO Appliances Inc.

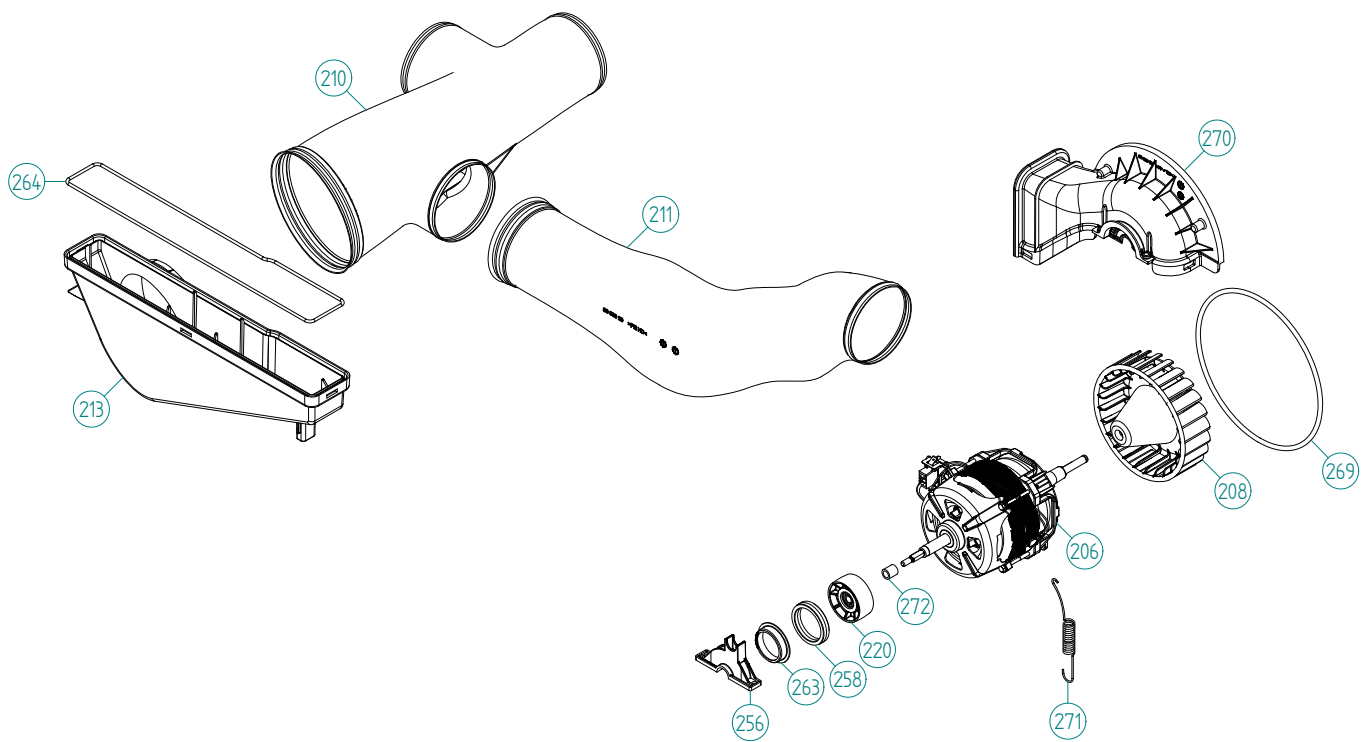
4001 E Plano Parkway #1004001 E Plano Parkway #100
Plano, Texas 75074



Outer Casing

ASKO, T744 US - Titan (TD70.1)

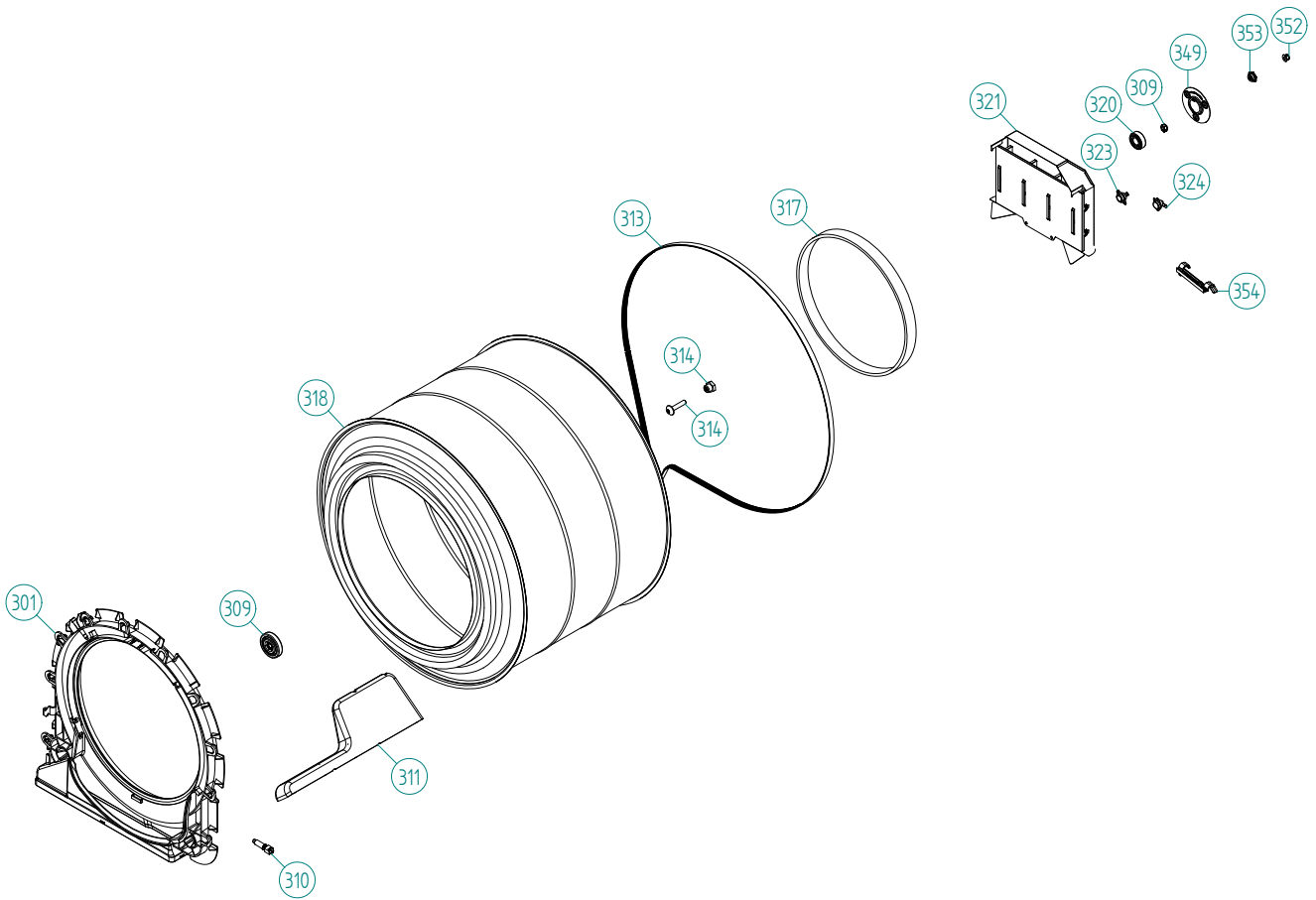
Pos	Spare part No.	Description	Qty	Comment
101	8061817-81	Top WM50 titanium	1 Pc's	
101-a	8902362	Screw 20 Torx Self Tapping	3 Pc's	
101-b	8901413	Lock Washer laundry tops	2 Pc's	
107	8061763	Clip Front Plate 600700s	3 Pc's	
108	8061916	CABLE HOLDER WMD20	2 Pc's	
112	8082109-81	FRONT PANEL TD70 GREY METALLIC	1 Pc's	
112-a	8902087	Screw Plastic Housing 20 Torx	2 Pc's	
112-b	8902362	SCREW RTK ST 4,2X9,5 FZB WAX.	1 Pc's	
117	8076077-81	LOCK PUSH/PUSH	1 Pc's	
119	8077511-81	Condenser Cover	1 Pc's	
127	8052641	Collar Vent Exhaust TD	1 Pc's	
128	8052640-81-UL	Exhaust lid titanium	2 Pc's	
130	8053980	Stacking Bracket All TDs	1 Pc's	
130-a	8900327	Screw 20 Torx Self Tapping	1 Pc's	
132	8064114	Pair, Holders, TD Feet/Stacking	1 Pc's	
134	8082112-D	REAR PANEL	1 Pc's	
134-a	8901971	SCREW C1-PTK 35X14 WN1453 T15	2 Pc's	
134-b	8902362	SCREW RTK ST 4,2X9,5 FZB WAX.	6 Pc's	
134-c	8902087	Screw Plastic Housing 20 Torx	3 Pc's	
139	8082103	BASE UL4	1 Pc's	
140	8082296	PLASTIC FOOT	4 Pc's	
141	8082134-B-81	SIDE PANEL GREY METALLIC	1 Pc's	
141-a	8902087	Screw Plastic Housing 20 Torx	1 Pc's	
142	8082134-A-81	SIDE PANEL GREY METALLIC	1 Pc's	
142-a	8902087	Screw Plastic Housing 20 Torx	1 Pc's	
148	8801540-49	Decor Cover Front Frame Kit TD70	1 Pc's	
149	8082113	PANEL REAR COVER	1 Pc's	
149-a	8902362	SCREW RTK ST 4,2X9,5 FZB WAX.	10 Pc's	
153	8083205	SNAP-IN BRACKET FRONT PANEL	4 Pc's	
157	8094101	SEALING STRIP W. ADHESIVE 5X9	2 Pc's	



Lower session

ASKO, T744 US - Titan (TD70.1)

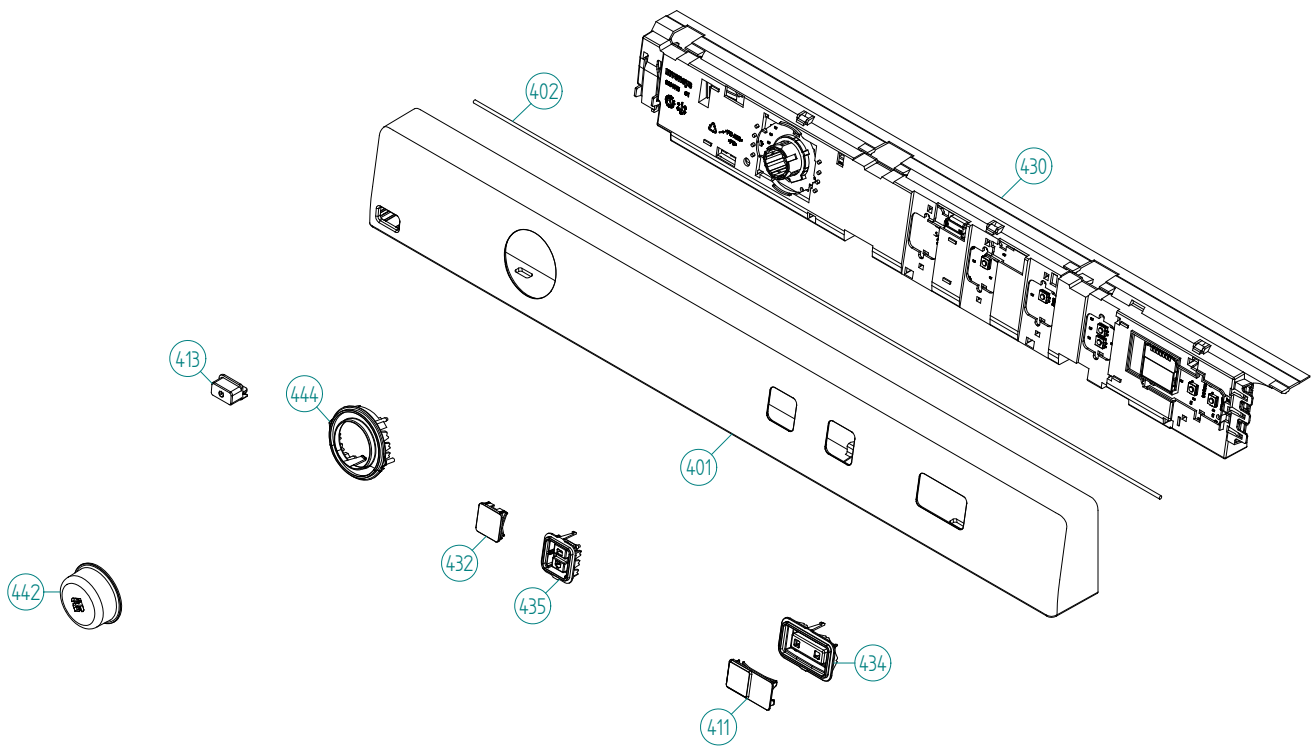
Pos	Spare part No.	Description	Qty	Comment
206	8083916	MOTOR 60HZ	1 Pc's	
206-a	8090314	CAPACITOR 60HZ	1 Pc's	
208	8083923	FAN WHEEL INTERNAL VENTED UL4	1 Pc's	
210	8083919	T-DUCT VENTED UL4	1 Pc's	
211	8083920	DUCT VENTED RIGHT UL4	1 Pc's	
213	8083918	Connection Vented	1 Pc's	
220	8091899	TENSION WHEEL EMBEDDED BEARING	1 Pc's	
256	8082454	ENGINE BEARING FITTING	1 Pc's	
256-a	8902087	Screw Plastic Housing 20 Torx	2 Pc's	
258	8082455	RUBBER DAMPER ENGINE BEARING	2 Pc's	
263	8082456	SLIDEER ENGINE BEARING	2 Pc's	
264	8088417	SEALING FRONT FRAME-COVER	1 Pc's	
269	8088416	SEALING FAN HOUSE	1 Pc's	
270	8082310	COVER INNER DUCT UL4	1 Pc's	
270-a	8902087	Screw Plastic Housing 20 Torx	2 Pc's	
271	8082161	BELT TENSIONER SPRING	1 Pc's	
272	8091071	SPACER SLEEVE	1 Pc's	



Cylinder and related parts

ASKO, T744 US - Titan (TD70.1)

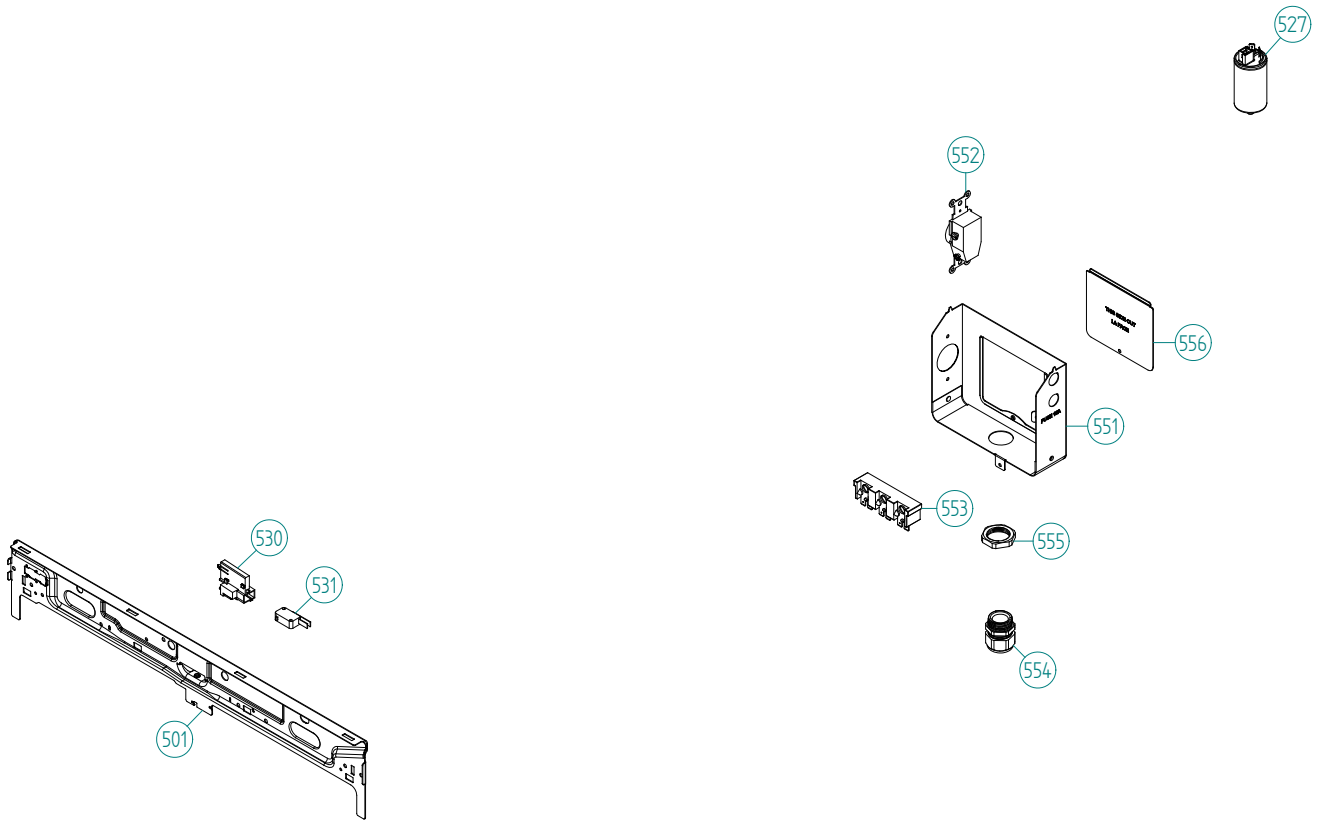
Pos	Spare part No.	Description	Qty	Comment
301	8093953-49	FRONT FRAME TD70	1 Pc's	
309	8093182	Drum Roller Frt TD	2 Pc's	
309-a	8901337	Washer	2 Pc's	
309-b	8901193	Locking Nut	2 Pc's	
309-c	8901028	Screw	2 Pc's	
310	8083344	THERMISTOR TD	1 Pc's	
311	8052589-49	PADDLE TD	2 Pc's	
311-a	8902099	Screw	5 Pc's	
313	8082133	BELT DRYER TD70	1 Pc's	
314	8082453	BEARING BUSHING SHORT	1 Pc's	
314-a	8088429	SCREW M8 A4 T40	1 Pc's	
317	8093952	FELTSEALING REAR W. FOAM	1 Pc's	
318	8091023-R	CYLINDER COMPL. TD	1 Pc's	
320	8004439	Bearing Dryer Rear Panel All	1 Pc's	
321	8082491	HEATING ELEMENT 3000W UL4	1 Pc's	
321-a	8900369	Screw T25	2 Pc's	
321-b	8901415	LOCK WASHER AZ 5.3 GALV	2 Pc's	
323	8090224	THERMOSTAT 110 TD	1 Pc's	
324	8090273	THERMOSTAT 135 MANUEL RESET	1 Pc's	
349	8082126	BEARING BRACKET	1 Pc's	
349-a	8902362	SCREW RTK ST 4,2X9,5 FZB WAX.	3 Pc's	
352	8902365	FLANGE NUT DIN6926 KL.8 M6 FZB	1 Pc's	
353	8082464	NUT BEARING LOCK	1 Pc's	
354	8082467	CABLE HOLDER HEATING ELEMENT	1 Pc's	



Control Panel

ASKO, T744 US - Titan (TD70.1)

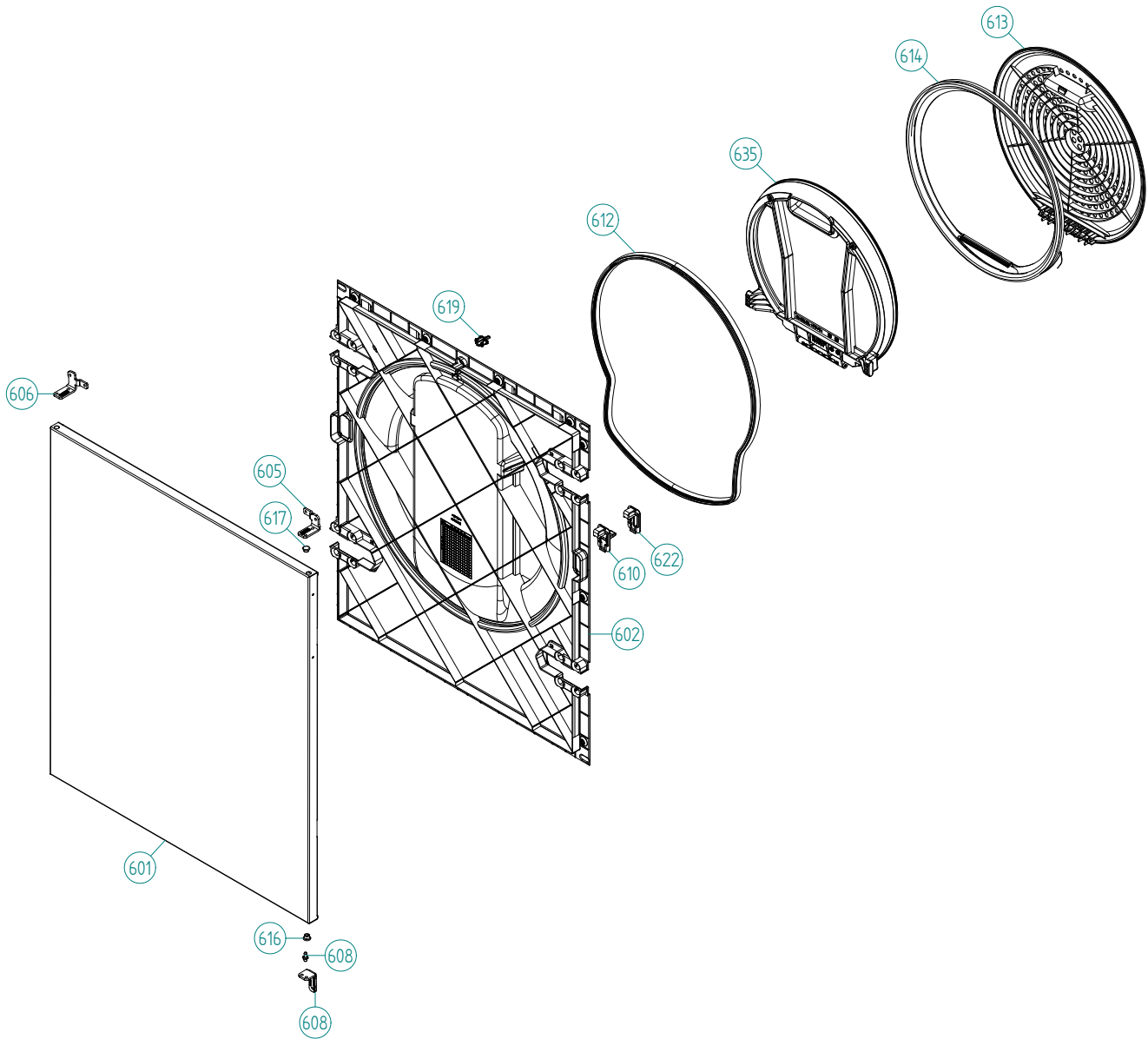
Pos	Spare part No.	Description	Qty	Comment
401	8092844-81-UL	PANEL ASKO T744 US	1 Pc's	
402	8079749	Rubber Seal-Cntrl Panel to Brd	1 Pc's	
411	8091477-81	PUSHBUT. ST/ST PRINTED TD60.1	1 Pc's	
413	8081710-81	PUSHBU. MAINSWITCH WMD60.2 UL4	1 Pc's	
430	8801518	CONTROL UNIT COMPL. TD70.1 A	1 Pc's	
432	8083233-81	PUSHBUTTON OPT.1 WMD60.1 UL4	2 Pc's	
434	8083237	LENS START STOP WMD60.1 UL4	1 Pc's	
435	8083241	LENS OPTION WMD60.1 UL4	2 Pc's	
442	8801433-81	KNOB COMPL. WMD60.1 TITANIUM	1 Pc's	
444	8083482	LENS JOGDIAL WMD60.1 UL4	1 Pc's	



Upper session

ASKO, T744 US - Titan (TD70.1)

Pos	Spare part No.	Description	Qty	Comment
501	8076029	FRONTBEAM	1 Pc's	
501-a	8902087	Screw Plastic Housing 20 Torx	1 Pc's	
527	8076202	EMC-FILTER WITH INDUCTOR	1 Pc's	
527-a	8901155	Nut	1 Pc's	
527-b	8901419	Lock Washer	1 Pc's	
529	8090213	CABLE BUNDLE TD70 1PH. VENTED	1 Pc's	
530	8077519	BRACKET FOR DOOR SWITCH	1 Pc's	
531	8073836	MICROSWITCH DOOR	1 Pc's	
539	8006948	Grommet	1 Pc's	
541	8078989	CORD SET 16A EU 90C	1 Pc's	



Outer Door

ASKO, T744 US - Titan (TD70.1)

Pos	Spare part No.	Description	Qty	Comment
601	8076033-81	OUTER DOOR	1 Pc's	
601-a	8900352	Screw RTS ST 4.2X13 FZB TORX/J	6 Pc's	
602	8082111-49	DOOR INNER PART	1 Pc's	
605	8077599-81	HINGE UPPER R	1 Pc's	
605-a	8900327	Screw 20 Torx Self Tapping	2 Pc's	
605-b	8901097	Screw Terminal	1 Pc's	
605-c	8061804	HINGE PIN	1 Pc's	
606	8079489-81	HINGE UPPER L	1 Pc's	
606-a	8900327	Screw 20 Torx Self Tapping	2 Pc's	
606-b	8901097	Screw Terminal	1 Pc's	
606-c	8061804	HINGE PIN	1 Pc's	
608	8076032-81	HINGE DOOR LOWER	1 Pc's	
608-a	8901097	Screw Terminal	2 Pc's	
608-b	8061804	HINGE PIN	1 Pc's	
610	8077485-49	LOCK CATCH	1 Pc's	
612	8087917	SEALING INNER DOOR	1 Pc's	
613	8083220-49	FILTER HOLDER GREY	1 Pc's	
614	8087916	SEALING FILTER HOLDER	1 Pc's	
616	8061865-81	Hinge Bearing 700 Series	2 Pc's	
617	8061953-81	Door Plug Titanium	1 Pc's	
619	8077488-49	DOOR PIN	1 Pc's	
622	8076079-49	COVER FOR LOCK/LOCK HOOK	1 Pc's	
622	8076079-81	COVER FOR LOCK/LOCK HOOK	1 Pc's	
635	8801511	LINT FILTER COMPL. TD70	1 Pc's	

CABLE POSITIONS

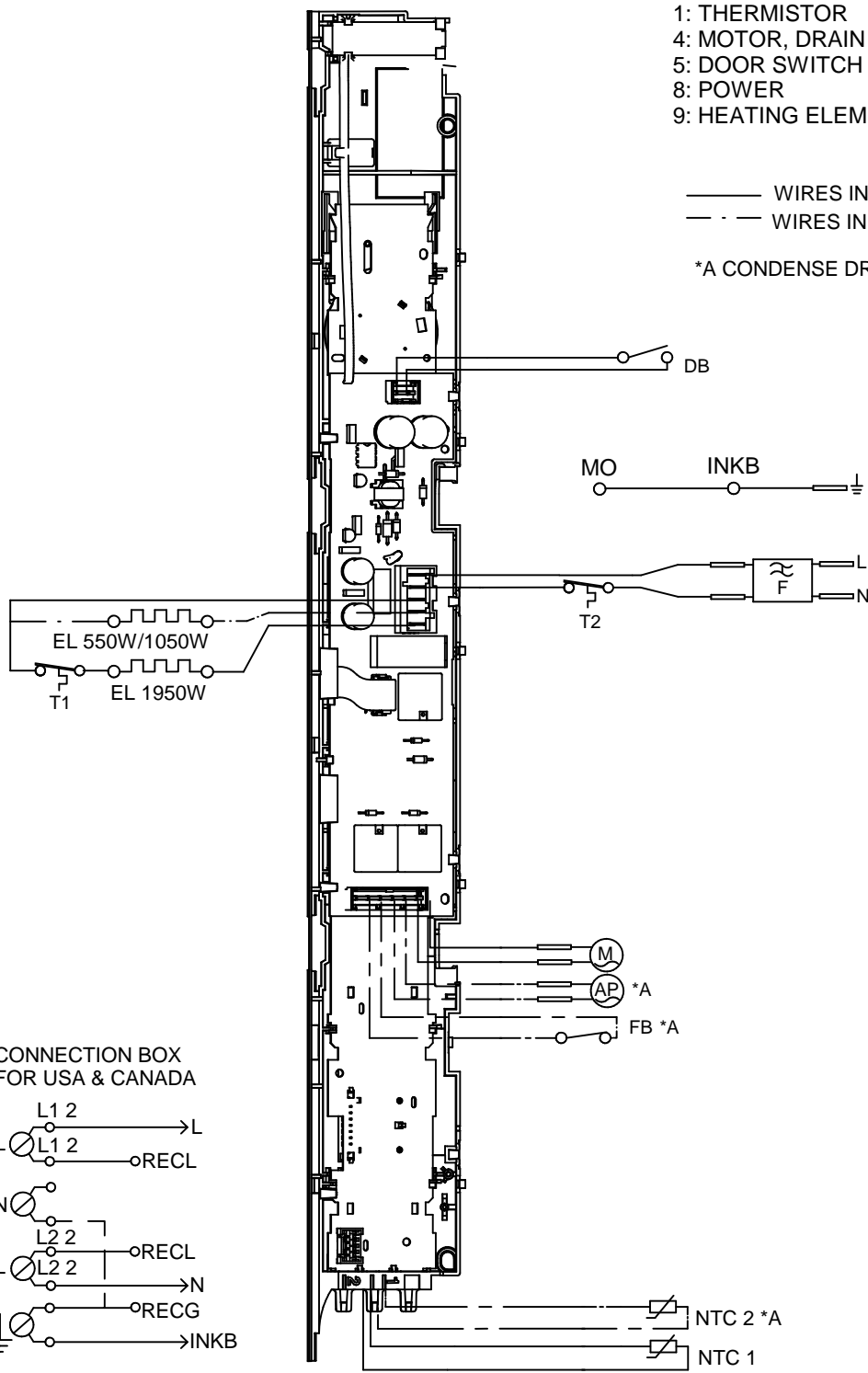
- 1: THERMISTOR
- 4: MOTOR, DRAIN PUMP, FLOAT SWITCH
- 5: DOOR SWITCH
- 8: POWER
- 9: HEATING ELEMENT

—— WIRES IN ALL MACHINES
 - - - WIRES IN SOME MACHINES

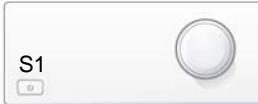
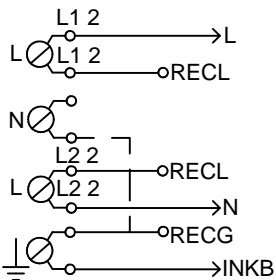
*A CONDENSE DRYER

RESISTA
 VALUES
 COMPON

 F: R
 NTC 1: T
 NTC 2: T
 AP: D
 EL: H
 EL: H
 EL: H
 EL: H
 MO: M
 T1: T
 T2: T
 FB: F
 DB: D



CONNECTION BOX FOR USA & CANADA



TOTAL RESET

TURN OFF POWER (S7)
 WAIT FOR AT LEAST 30 SECONDS
 HOLD STOP (S11)
 TURN ON POWER (S1)

SERVICE MENU

TURN OFF POWER (S7)
 WAIT FOR AT LEAST 30 SECONDS
 HOLD S10
 TURN ON POWER (S1)
 PRESS S10 5 TIMES TO ENTER SERVICE MENU

PRESS STOP (S7) TO EXIT SERVICE MENU
 ROTATE DIAL TO CHANGE SETTINGS
 PRESSING START (S1) WILL SAVE SETTINGS

CIRCUIT

80