

This Owner's Manual is provided and hosted by [Appliance Factory Parts](#).



# ASKO T744C Owner's Manual

[Shop genuine replacement parts for ASKO T744C](#)



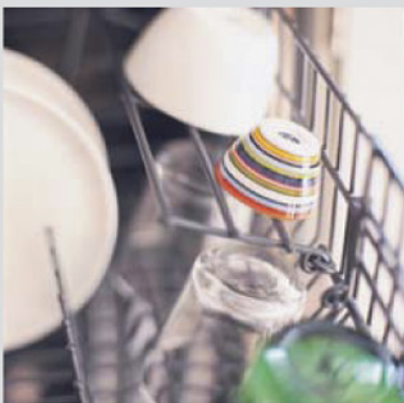
[Find Your ASKO Dryer Parts - Select From 73 Models](#)

----- Manual continues below -----



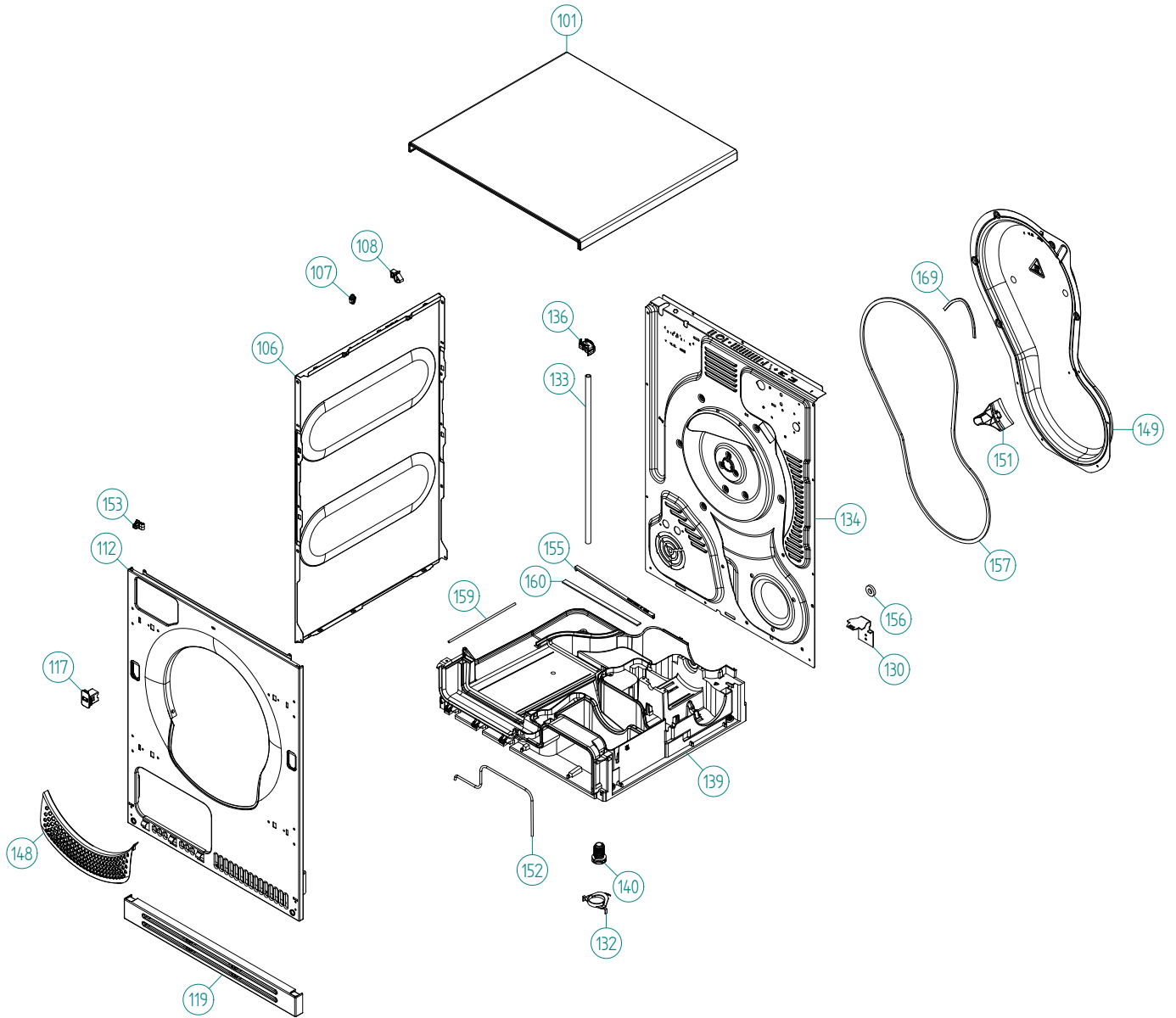
ASKO Tumble Dryers \ ASKO 700 Series Condensing  
Type: TD70.1  
Model: T744C US White

Prod. No: 107744910  
January 23rd 2013



**ASKO Appliances Inc.**

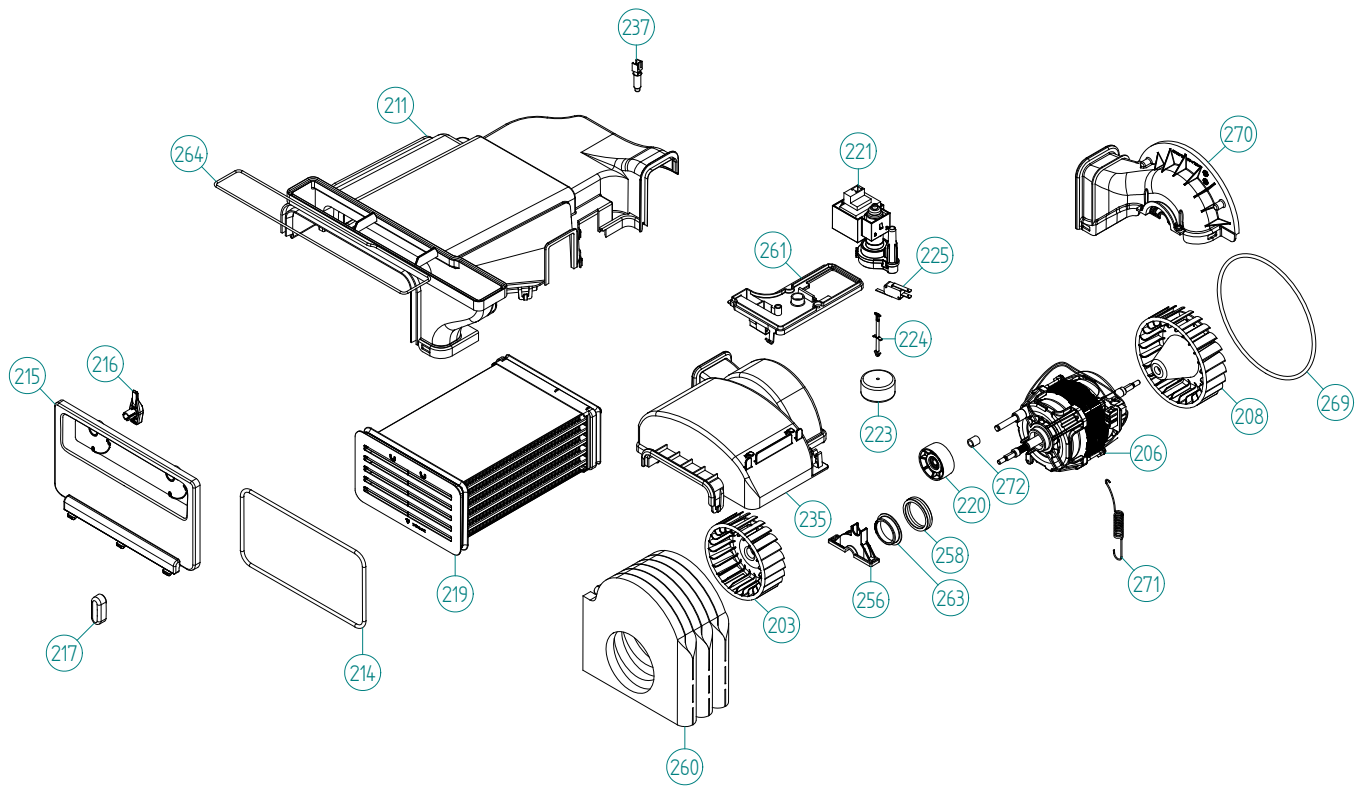
4001 E Plano Parkway #1004001 E Plano Parkway #100  
Plano, Texas 75074



## Outer Casing

ASKO, T744C US - White #107744910 (TD70.1)

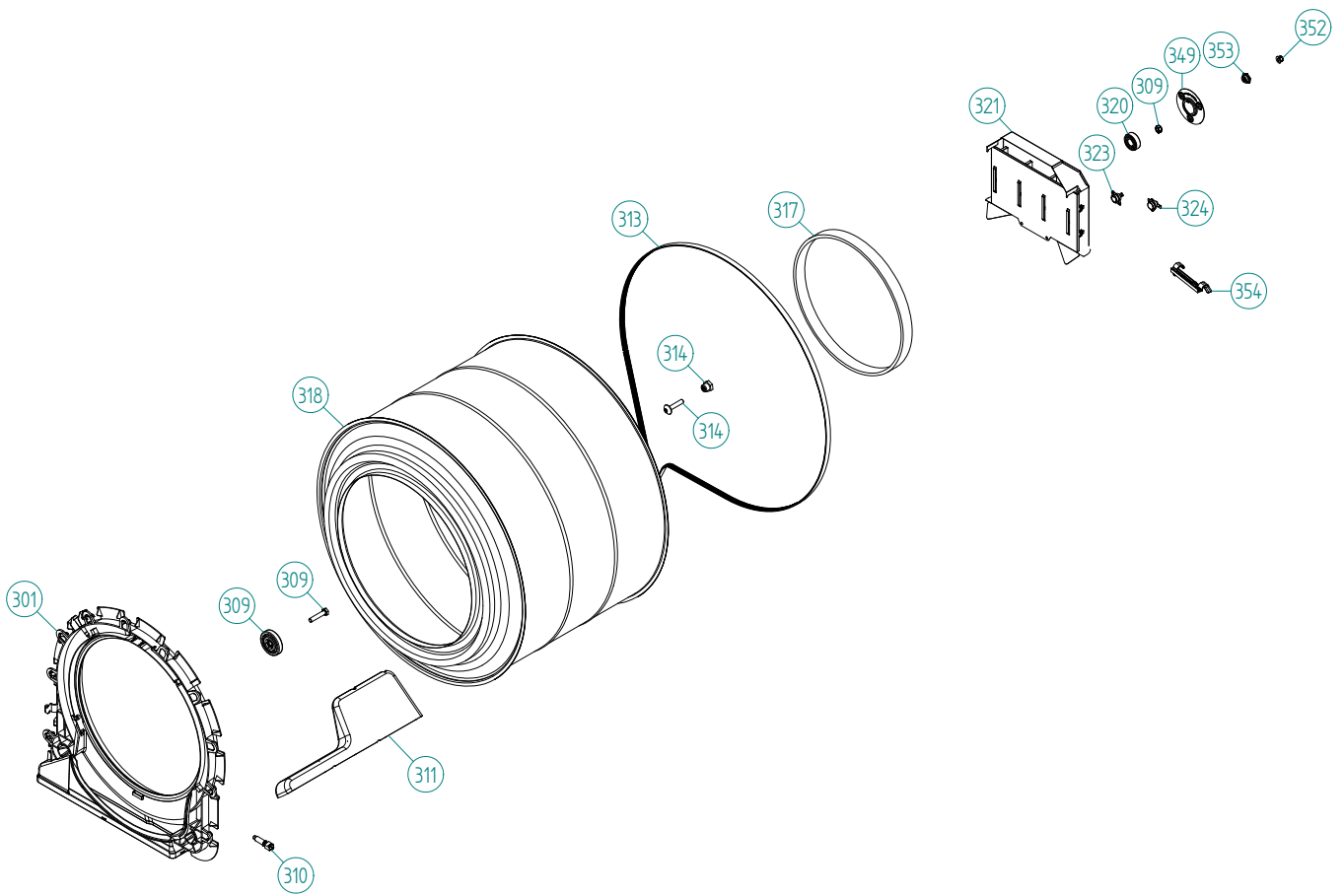
Pos	Spare part No.	Description	Qty	Comment
101	8061817-0	Top Cover Wht WMD	1 Pc's	
101-a	8902362	Screw 20 Torx Self Tapping	3 Pc's	
101-b	8901413	Lock Washer laundry tops	2 Pc's	
106	8082134-0	SIDE PANEL WHITE	2 Pc's	
106-a	8902087	Screw Plastic Housing 20 Torx	2 Pc's	
107	8061763	Clip Front Plate 600700s	3 Pc's	
108	8061916	CABLE HOLDER WMD20	2 Pc's	
112	8082109-H-0	FRONT PANEL TD70 WHITE	1 Pc's	
112-a	8902087	Screw Plastic Housing 20 Torx	2 Pc's	
112-b	8902362	SCREW RTK ST 4,2X9,5 FZB WAX.	1 Pc's	
117	8093526-0	LOCK PUSH/PUSH	1 Pc's	
119	8077511-0	PLINTH CONDENSER	1 Pc's	
130	8053980	Stacking Bracket All TDs	1 Pc's	
130-a	8900327	Screw 20 Torx Self Tapping	1 Pc's	
132	8064114	Pair, Holders, TD Feet/Stacking	1 Pc's	
133	8054733	Rubber Hose Accy Drain Cond	1 Pc's	
134	8082112-C	REAR PANEL	1 Pc's	
134-a	8901971	SCREW C1-PTK 35X14 WN1453 T15	2 Pc's	
134-b	8902362	SCREW RTK ST 4,2X9,5 FZB WAX.	6 Pc's	
134-c	8902087	Screw Plastic Housing 20 Torx	3 Pc's	
136	8079928	HOSE FRAME	1 Pc's	
136	8082459	HOSE CLIP	1 Pc's	
139	8082103	BASE UL4	1 Pc's	
140	8082296	PLASTIC FOOT	4 Pc's	
148	8801540-0	Decor Cover Front Frm Kit TD70	1 Pc's	
149	8082113-B	PANEL REAR COVER	1 Pc's	
149-a	8902362	SCREW RTK ST 4,2X9,5 FZB WAX.	10 Pc's	
151	8082114	INSERT REAR COVER	1 Pc's	
152	8090337	SEALING FRONTPANEL-EXT.INLET	1 Pc's	
153	8083205	SNAP-IN BRACKET FRONT PANEL	4 Pc's	
155	8082457	COVER DRAINING DITCH	1 Pc's	
156	8094236	SEALING DRAINING PIPE	1 Pc's	
157	8094235	SEAL. STRIP W. ADHE. 9X4 SILI.	1 Pc's	
159	8082311	SEALING INT.-EXT.AIR CONDENSE	1 Pc's	
160	8092325	SEALING COVER DRAINING DITCH	1 Pc's	
169	8094312	ADHESIVE SEAL. STRIP 2X6 SILI.	1 Pc's	



**Lower session**

ASKO, T744C US - White #107744910 (TD70.1)

Pos	Spare part No.	Description	Qty	Comment
203	8082127	FAN WHEEL EXTERNAL COND. UL4	1 Pc's	
206	8083916	MOTOR 60HZ	1 Pc's	
206-a	8090314	CAPACITOR 60HZ	1 Pc's	
208	8082125	FAN WHEEL INTERNAL COND. UL4	1 Pc's	
211	8082105	COVER CONDENSER UL4	1 Pc's	
211-a	8902087	Screw Plastic Housing 20 Torx	7 Pc's	
214	8082108	SEALING CONDENSER LID	1 Pc's	
215	8082107-0	CONDENSER LID WHITE	1 Pc's	
216	8082121	LOCK CATCH CONDENSER LID	2 Pc's	
217	8077507-49	KNOB CONDENSER LID	2 Pc's	
217-a	8902085	Screw 20T for Plastic	2 Pc's	
219	8083902	CONDENSER COMPL.	1 Pc's	
220	8091899	TENSION WHEEL EMBEDDED BEARING	1 Pc's	
221	8084648	CONDENSATE PUMP 60HZ	1 Pc's	
223	8053056	Float Condenser Dryers	1 Pc's	
224	8091858	FLOAT PIN TD70	1 Pc's	
225	8076103	MICROSWITCH FLOAT TD25	1 Pc's	
235	8082116	COVER EXTERNAL INLET UL4	1 Pc's	
237	8083344	THERMISTOR TD	1 Pc's	
256	8082454	ENGINE BEARING FITTING	1 Pc's	
256-a	8902087	Screw Plastic Housing 20 Torx	2 Pc's	
258	8082455	RUBBER DAMPER ENGINE BEARING	2 Pc's	
260	8091434	SOUND ABSORBER INLET CONDENSE	1 Pc's	
261	8082132	COVER CONDENSATE RESERVOIRE	1 Pc's	
263	8082456	SLIDEER ENGINE BEARING	2 Pc's	
264	8088417	SEALING FRONT FRAME-COVER	1 Pc's	
269	8088416	SEALING FAN HOUSE	1 Pc's	
270	8082310	COVER INNER DUCT UL4	1 Pc's	
270-a	8902087	Screw Plastic Housing 20 Torx	2 Pc's	
271	8082161	BELT TENSIONER SPRING	1 Pc's	
272	8091071	SPACER SLEEVE	1 Pc's	

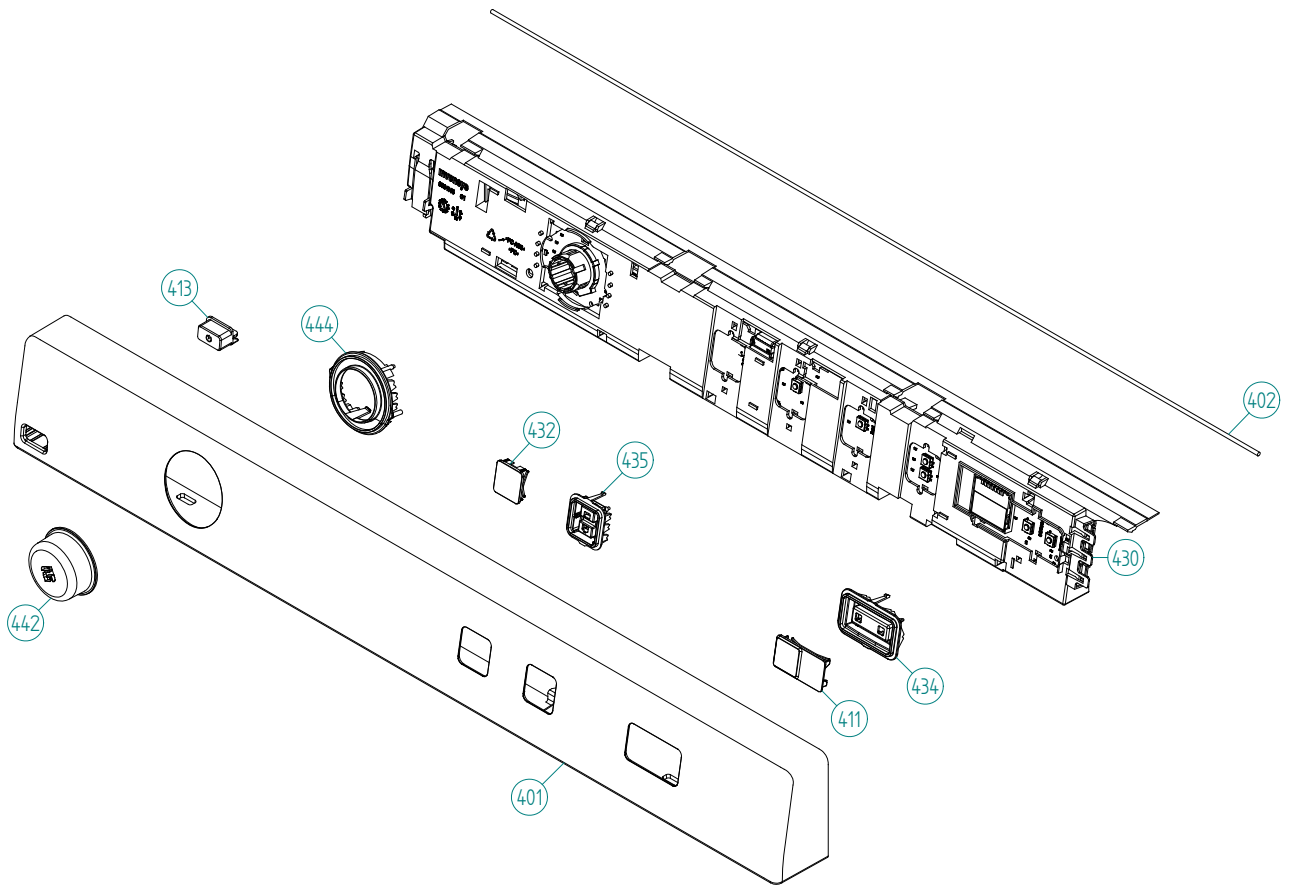


## Cylinder and related parts

ASKO, T744C US - White #107744910 (TD70.1)

Pos	Spare part No.	Description	Qty	Comment
301	8801494	Front Frame w/Felt Seal TD70	1 Pc's	
301-a	8901971	SCREW C1-PTK 35X14 WN1453 T15	4 Pc's	
301-b	8090949	SEALING STRIP FRONT FRAME	1 Pc's	
309	8093182	Drum Roller Frt TD	2 Pc's	
309-a	8901337	Washer	2 Pc's	
309-b	8901193	Locking Nut	2 Pc's	
309-c	8901031	SCREW BUFO 8.8 8X40 GALV	2 Pc's	
310	8083344	THERMISTOR TD	1 Pc's	
311	8052589-49	PADDLE TD	2 Pc's	
311-a	8902099	Screw	5 Pc's	
313	8082133	BELT DRYER TD70	1 Pc's	
314	8082453	BEARING BUSHING SHORT	1 Pc's	
314-a	8088429	SCREW M8 A4 T40	1 Pc's	
317	8094481	FELTSEALING REAR	1 Pc's	
318	8091023-R	CYLINDER COMPL. TD	1 Pc's	
320	8004439	Bearing Dryer Rear Panel All	1 Pc's	
321	8091590	HEATING ELEMENT 2500W UL4	1 Pc's	
323	8090224	THERMOSTAT 110 TD	1 Pc's	
324	8090274	THERMOSTAT 135 MANUEL RESET UL	1 Pc's	
349	8082126	BEARING BRACKET	1 Pc's	
349-a	8902362	SCREW RTK ST 4,2X9,5 FZB WAX.	3 Pc's	
352	8902365	FLANGE NUT DIN6926 KL.8 M6 FZB	1 Pc's	
353	8082464	NUT BEARING LOCK	1 Pc's	
354	8082467	CABLE HOLDER HEATING ELEMENT	1 Pc's	

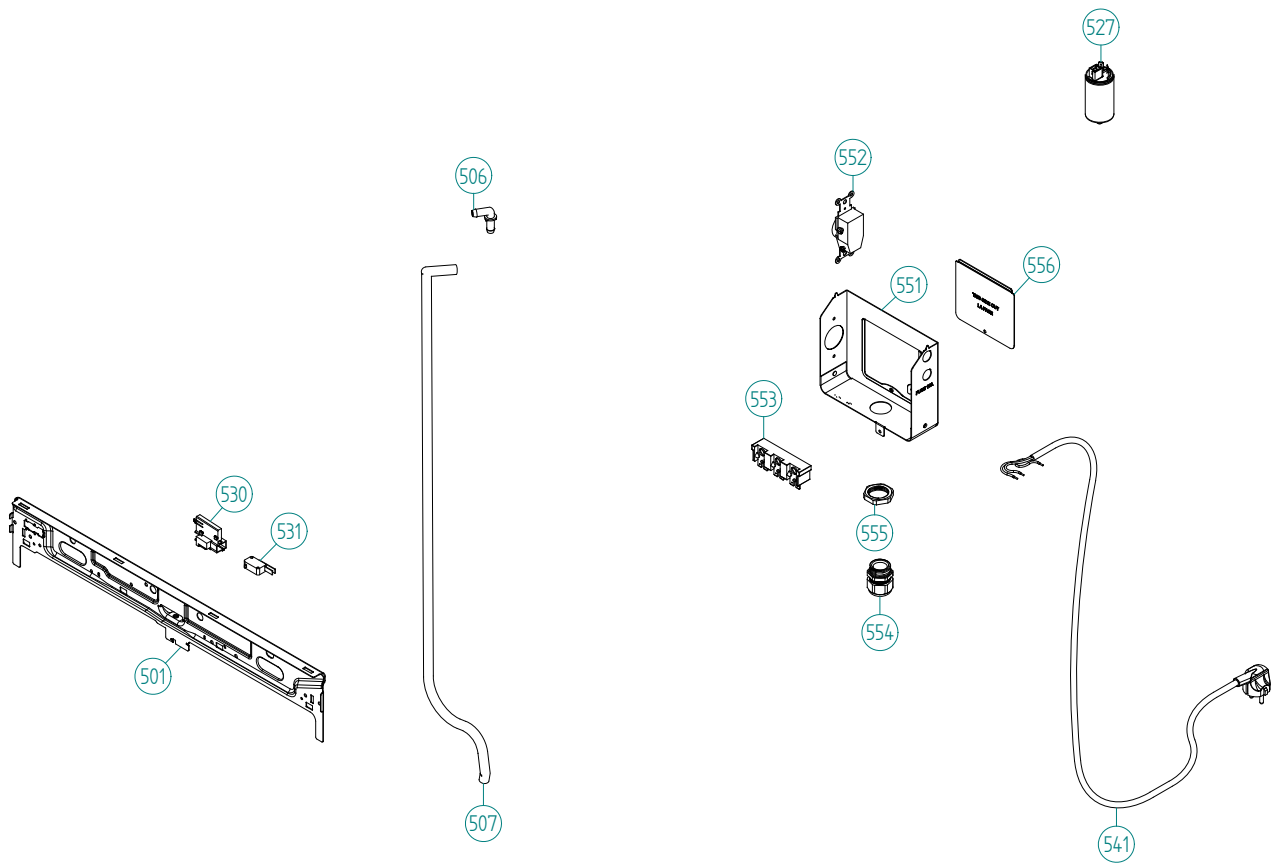




## Control Panel

ASKO, T744C US - White #107744910 (TD70.1)

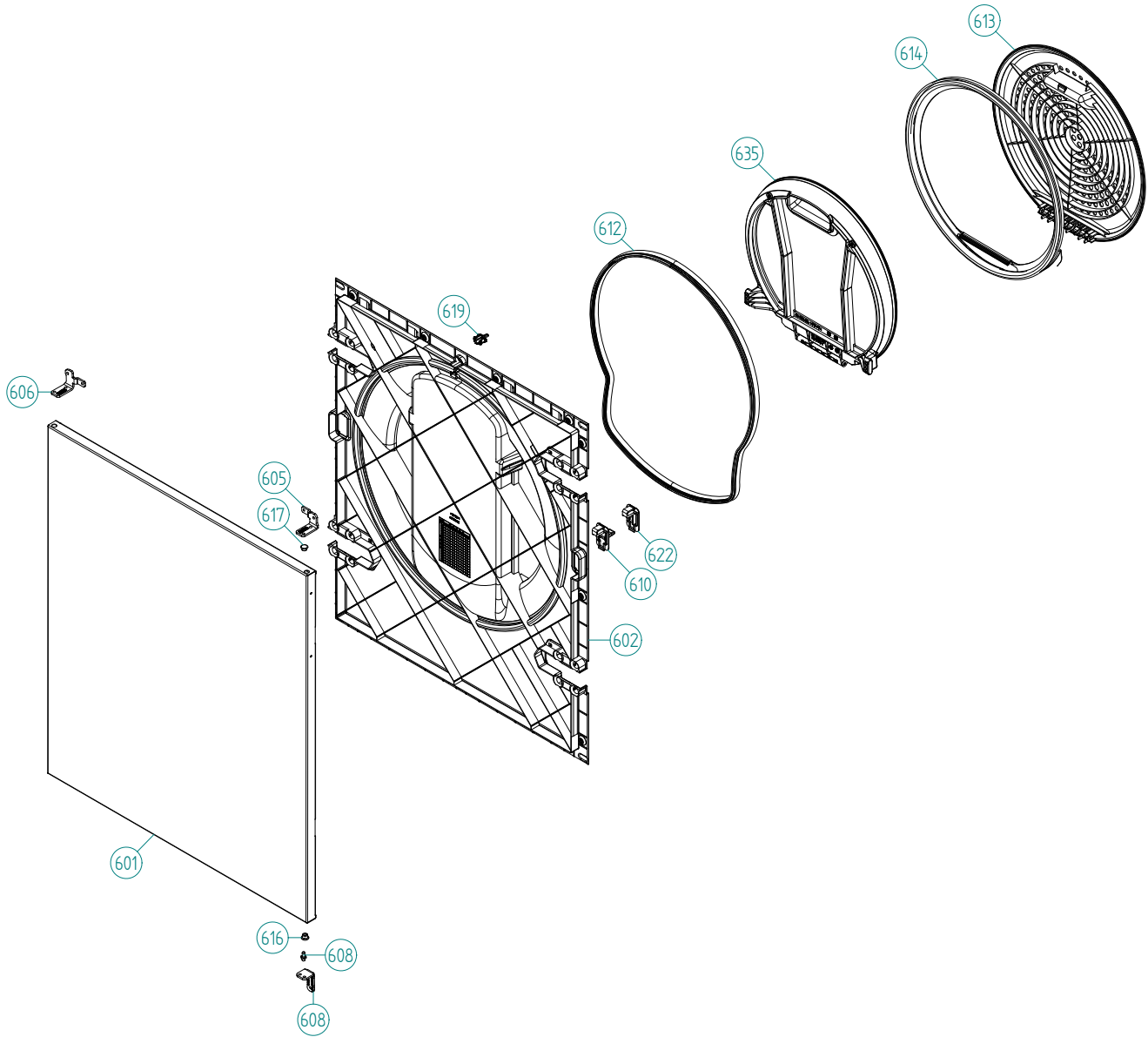
Pos	Spare part No.	Description	Qty	Comment
401	8092827-0-UL	PANEL ASKO T744C US	1 Pc's	
402	8079749	Rubber Seal-Cntrl Panel to Brd	1 Pc's	
411	8091477-0	PUSHBUT. ST/ST PRINTED TD60.1	1 Pc's	
413	8081710-0	PUSHBU. MAINSWITCH WMD60.2 UL4	1 Pc's	
430	8801518	CONTROL UNIT COMPL. TD70.1 A	1 Pc's	
432	8083233-0	PUSHBUTTON OPT.1 WMD60.1 UL4	2 Pc's	
434	8083237	LENS START STOP WMD60.1 UL4	1 Pc's	
435	8083241	LENS OPTION WMD60.1 UL4	2 Pc's	
442	8801433-0	KNOB COMPL. WMD60.1 WHITE	1 Pc's	
444	8083482	LENS JOGDIAL WMD60.1 UL4	1 Pc's	
490	8092823	INSTRUCT. T744C ENGLISH US/CA	1 Pc's	
490	8092824	INSTRUCT. T744C FRENCH US/CA	1 Pc's	



## Upper session

ASKO, T744C US - White #107744910 (TD70.1)

Pos	Spare part No.	Description	Qty	Comment
501	8076029	FRONTBEAM	1 Pc's	
501-a	8902087	Screw Plastic Housing 20 Torx	1 Pc's	
506	8054072	NIPPLE WATER HOSE	1 Pc's	
507	8088419	RUBBER HOSE 9X13X1145	1 Pc's	
527	8076202	EMC-FILTER WITH INDUCTOR	1 Pc's	
527-a	8901155	Nut	1 Pc's	
527-b	8901419	Lock Washer	1 Pc's	
529	8090212	CABLE BUNDLE TD70.1/70.2 COND.	1 Pc's	
530	8077519	BRACKET FOR DOOR SWITCH	1 Pc's	
531	8073836	MICROSWITCH DOOR	1 Pc's	
541	8063972	CORD SET 30A/250V SRDT AWG10/4	1 Pc's	
551	8076324	Connection box T711	1 Pc's	
552	8061455	Receptacle 05 WMD Connect	1 Pc's	
553	8061891	Terminal Block DryerTD 20	1 Pc's	
554	8060462	Grommet	1 Pc's	
554	8078291	GROMMET 94793	1 Pc's	
555	8060463	Lock Nut	1 Pc's	
556	8063756	Cover Terminal block T700s	1 Pc's	
556-a	8901097	Screw Terminal	1 Pc's	
588	8083019	CABLE SET LB TD UL4	1 Pc's	



## Outer Door

ASKO, T744C US - White #107744910 (TD70.1)

Pos	Spare part No.	Description	Qty	Comment
601	8076033-0	OUTER DOOR	1 Pc's	
601-a	8900352	Screw RTS ST 4.2X13 FZB TORX/J	6 Pc's	
602	8082111-49	DOOR INNER PART	1 Pc's	
605	8077599-0	HINGE UPPER RT	1 Pc's	
605-a	8900327	Screw 20 Torx Self Tapping	2 Pc's	
605-b	8901097	Screw Terminal	1 Pc's	
605-c	8061804	HINGE PIN	1 Pc's	
606	8079489-0	HINGE UPPER L	1 Pc's	
606-a	8900327	Screw 20 Torx Self Tapping	2 Pc's	
606-b	8901097	Screw Terminal	1 Pc's	
606-c	8061804	HINGE PIN	1 Pc's	
608	8076032-0	HINGE DOOR LOWER	1 Pc's	
608-a	8901097	Screw Terminal	2 Pc's	
608-b	8061804	HINGE PIN	1 Pc's	
610	8077485-49	LOCK CATCH	1 Pc's	
612	8087917	SEALING INNER DOOR	1 Pc's	
613	8083220-49	FILTER HOLDER GREY	1 Pc's	
614	8087916	SEALING FILTER HOLDER	1 Pc's	
616	8061865-0	Bushing Hinge Pin T700s	2 Pc's	
617	8061953-0	Door Plug White	1 Pc's	
619	8077488-49	DOOR PIN	1 Pc's	
622	8076079-49	COVER FOR LOCK/LOCK HOOK	1 Pc's	
622	8076079-0	COVER FOR LOCK/LOCK HOOK	1 Pc's	
635	8801511	LINT FILTER COMPL. TD70	1 Pc's	

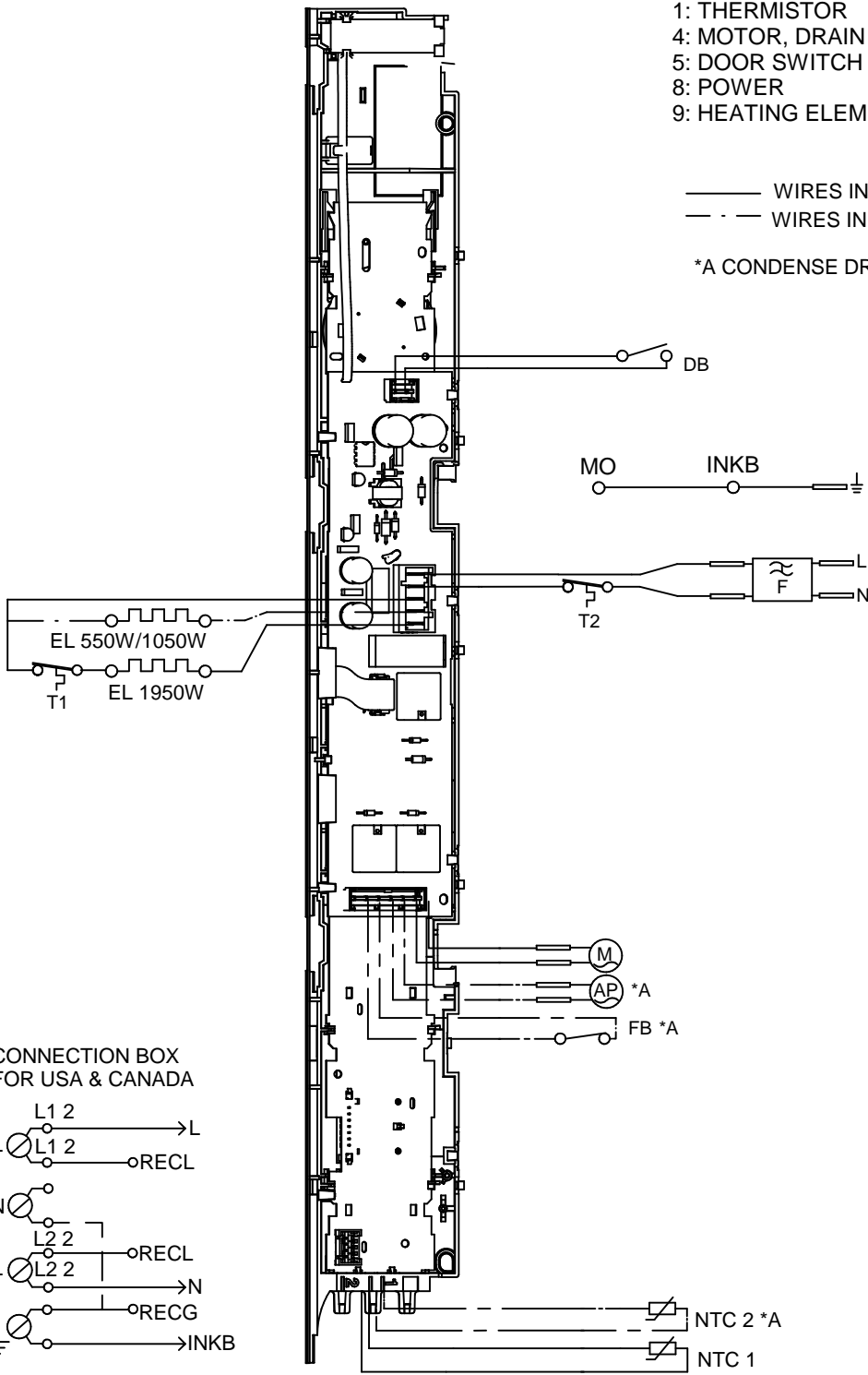
CABLE POSITIONS

- 1: THERMISTOR
- 4: MOTOR, DRAIN PUMP, FLOAT SWITCH
- 5: DOOR SWITCH
- 8: POWER
- 9: HEATING ELEMENT

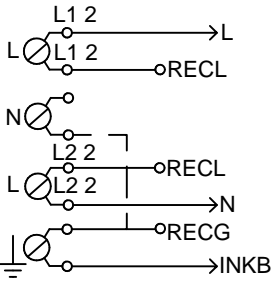
—— WIRES IN ALL MACHINES  
 - - - WIRES IN SOME MACHINES

\*A CONDENSE DRYER

RESISTA  
 VALUES  
 COMPON  
  
 F: R  
 NTC 1: T  
 NTC 2: T  
 AP: D  
 EL: H  
 EL: H  
 EL: H  
 EL: H  
 MO: M  
 T1: T  
 T2: T  
 FB: F  
 DB: D



CONNECTION BOX FOR USA & CANADA



**TOTAL RESET**

TURN OFF POWER (S1)  
 WAIT FOR AT LEAST 30 SECONDS  
 HOLD STOP (S11)  
 TURN ON POWER (S1)

**SERVICE MENU**

TURN OFF POWER (S1)  
 WAIT FOR AT LEAST 30 SECONDS  
 HOLD S10  
 TURN ON POWER (S1)  
 PRESS S10 5 TIMES TO ENTER SERVICE MENU

PRESS STOP (S7) TO EXIT SERVICE MENU  
 ROTATE DIAL TO CHANGE SETTINGS  
 PRESSING START (S1) WILL SAVE SETTINGS

CIRC

80