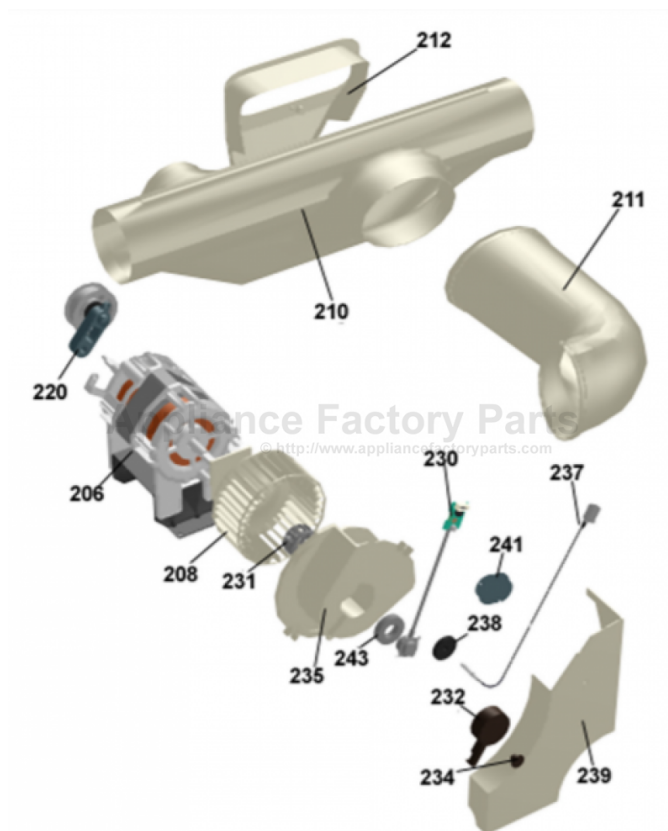


This Owner's Manual is provided and hosted by [Appliance Factory Parts](#).



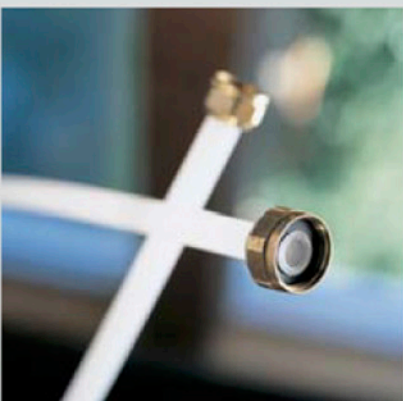
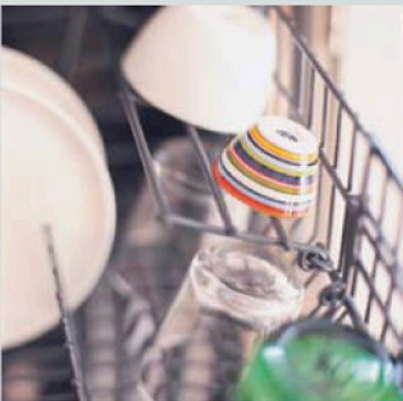
# ASKO T760 Owner's Manual

[Shop genuine replacement parts for ASKO T760](#)



[Find Your ASKO Dryer Parts - Select From 73 Models](#)

----- Manual continues below -----



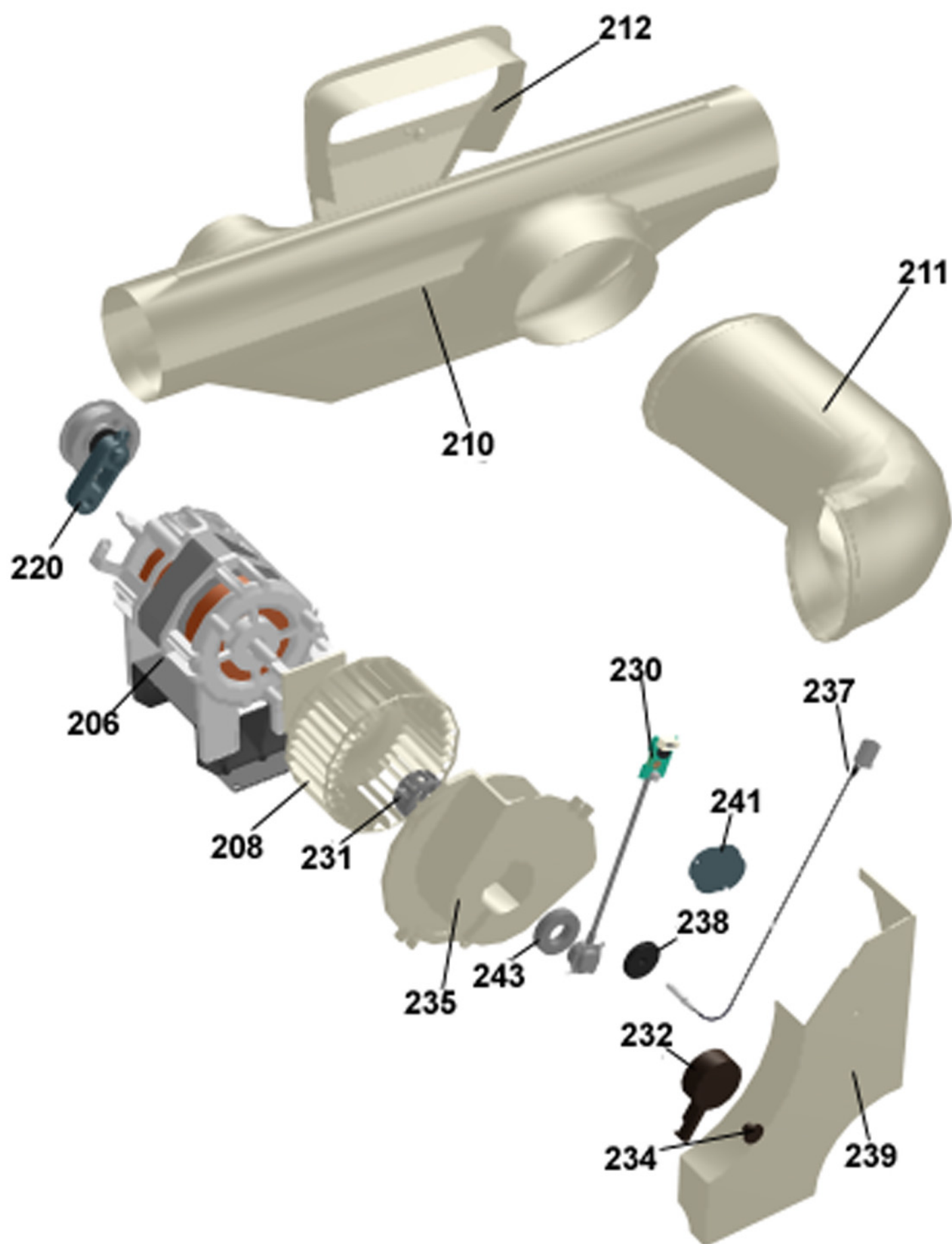
## Spare Parts Catalogue

Dryers \ 700 Series  
Type: TD33US  
Model: T760 US Stainless

Prod. No: 10776011  
December 22nd 2004

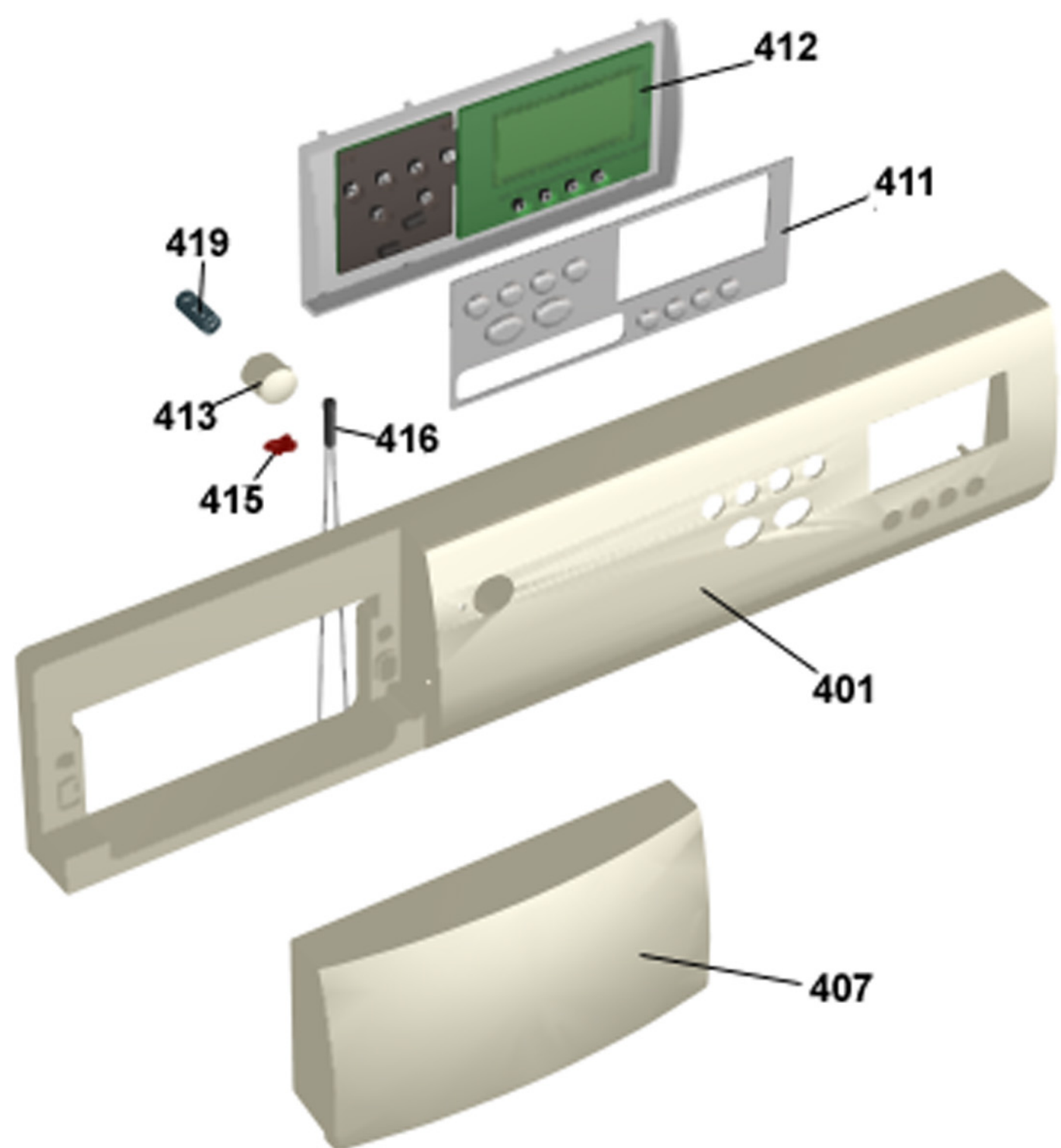
**AM Appliances Group**

P.O. Box 851805 • Richardson • TX 75085-1805  
789 N. Grove Road • Suite 103 • Richardson • TX 75081



**Lower session****ASKO, T760 US - Stainless (TD33US)**

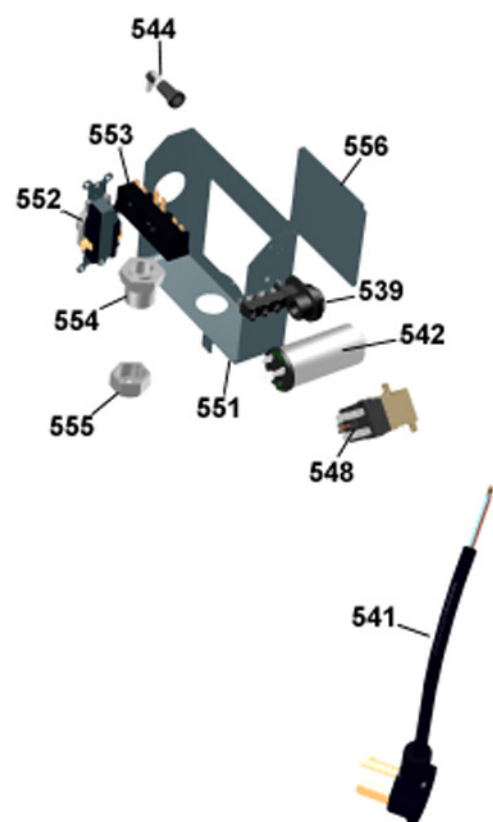
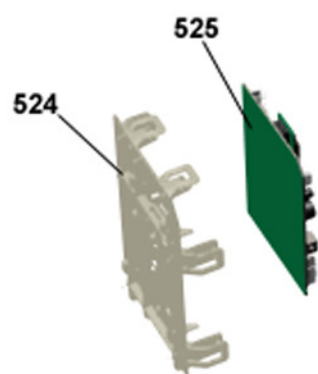
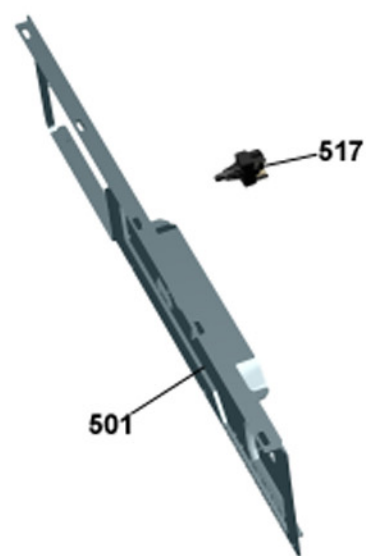
<b>Pos</b>	<b>Spare part No.</b>	<b>Description</b>	<b>Qty</b>	<b>Comment</b>
206	8061895	MOTOR COMPL 60HZ TD20	1 Pcs	
206-a	8901969	SCREW MRT-TT 5x12 FZB T20	4 Pcs	
208	8055200	FAN IMPELLER INT	1 Pcs	
208-a	8901192	NUT LOCKING 6 BH8 GALV	1 Pcs	
210	8057037	Repl by 805688	1 Pcs	
211	8052639	EXHAUSTCANAL BEND UL4	1 Pcs	
212	8061956	RECIRKULATION CAP TD20	1 Pcs	
212-a	8902087	SCREW PTK 40X14 WN1452 FZB T20	2 Pcs	
220	8801058	TENSION ARM Replby 8801214	1 Pcs	
228	33700183	TERMINAL ESPA	1 Pcs	
228-a	8901097	SCREW MRT-TT 4X12 FZB T20	1 Pcs	
228-b	8901413	LOCK WASHER AZ 43 GALV	1 Pcs	
230	8061855	HUMIDITY SENSOR TD20 UL4	1 Pcs	
230-a	8902042	SCREW PTK 35X10 WN1452 FZB T10	2 Pcs	
231	8061943	GUARD HUMIDITY SENSOR TD20	1 Pcs	
232	8061944	FRONT GUARD HUMIDITY SENSOR	1 Pcs	
234	8061959	PLUG HUMIDITY SENSOR/REAR PAN	2 Pcs	
235	8061899	FAN CASING LID TD20 UL4	1 Pcs	
235-a	8902042	SCREW PTK 35X10 WN1452 FZB T10	2 Pcs	
237	8061900	THERMISTOR UL4 TD20	1 Pcs	
238	8053050	GROMMET	1 Pcs	
239	8061942	GUARD FAN CASING TD20	1 Pcs	
239-a	8902042	SCREW PTK 35X10 WN1452 FZB T10	1 Pcs	
241	8050091	COVER PLATE FOR THERMOSTAT	1 Pcs	
241	8900369	SCREW RTS 48X13 FZB T25	1 Pcs	
242	8064184	SEALING COVER FAN HOUSE	1 Pcs	
243	8063897	SEALING HUMIDITY SENSOR	1 Pcs	
246	8058323	SHAFT SEAL DRYER	1 Pcs	



## **Control panel**

### **ASKO, T760 US - Stainless (TD33US)**

<b>Pos</b>	<b>Spare part No.</b>	<b>Description</b>	<b>Qty</b>	<b>Comment</b>
401	8063458-69-UL	PANEL WHANDLE T760 ASKO	1 Pcs	
401-a	8901591	BINDING CLIP SCO 5740	4 Pcs	
407	8061846-69-UL	HANDLE PANEL MECH WMD20	0 Pcs	
411	8061864-33	PUSHBUTTONS TD33/44	1 Pcs	
412	8063875	DISPLAYUNIT Replby 8064273UL4	1 Pcs	
413	8061902-69	PUSHBUTTON MAINSWITCH WMD20	1 Pcs	
415	8061822	DECOR LENS	1 Pcs	
416	8060478	INDLAMP (UL-RECONICED) UL4	1 Pcs	
419	8061857	SPRING MAIN SWITCH WMD20	1 Pcs	
490	8063857	INSTR GENERAL TD20 US/CA	1 Pcs	

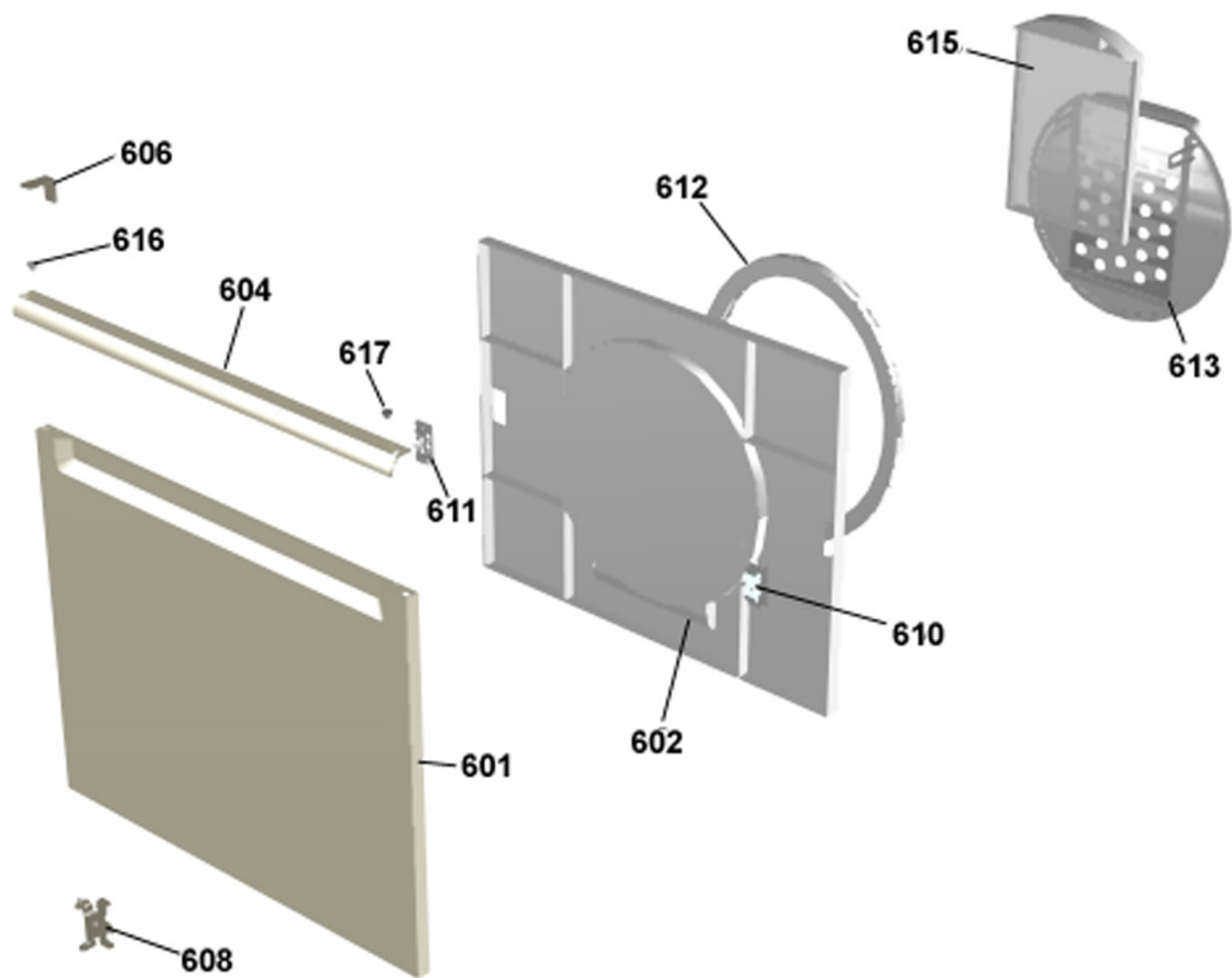


## Upper session

### ASKO, T760 US - Stainless (TD33US)

Pos	Spare part No.	Description	Qty	Comment
501	8061690	BEAM FRONT WMD20	1 Pcs	
501-a	8900338	SCREW RTK ST 42X95 FZB T20	2 Pcs	
501-b	8901413	LOCK WASHER AZ 43 GALV	2 Pcs	
501-c	8902087	SCREW PTK 40X14 WN1452 FZB T20	2 Pcs	
517	8061875	PUSHBUTTONSW 2-POLE CLOS	1 Pcs	
524	8061921	HOLDER PROGCONTROLLER WMD20	1 Pcs	
525	8061856	CONTROL UNIT TD33/44 UL4	1 Pcs	
529	8086600-1	CABLE HARNESS TD33/44	1 Pcs	
539	8061660	TERMINAL BLOCK 5-POLE	1 Pcs	
539-a	8901097	SCREW MRT-TT 4X12 FZB T20	1 Pcs	
542	8058558	RADIOINTERFSUPP FILTER	1 Pcs	
542-a	8901168	NUT Replby 8901155	1 Pcs	
542-b	8901419	LOCK WASHER AZ 84 GALV	1 Pcs	
544	8065573	FUSE HOLDER GREY 15A US/CA	2 Pcs	
544-a	8058140	FUSE 15AT 63X32	2 Pcs	
544-b	8055725	FUSE HOLDER INSERT STI	2 Pcs	
544-c	8054613	FUSE HOLDER HTB38	2 Pcs	
548	8064179	CONTACTOR 4S 50/60HZ	1 Pcs	
551	8901097	SCREW MRT-TT 4X12 FZB T20	1 Pcs	
551-a	8065734	EL. BOX USA TD21	1 Pcs	
552	8061033	RECEPTACLE 2-POL 3-WIRE 20/250	1 Pcs	
553	8061891	TERMINAL BLOCK DRYER US	1 Pcs	
554	8060462	GROMMET PG21	1 Pcs	
555	8060463	LOCK NUT PG21	1 Pcs	
556	8063756	LID ELBOX USA	1 Pcs	
556-a	8901097	SCREW MRT-TT 4X12 FZB T20	1 Pcs	

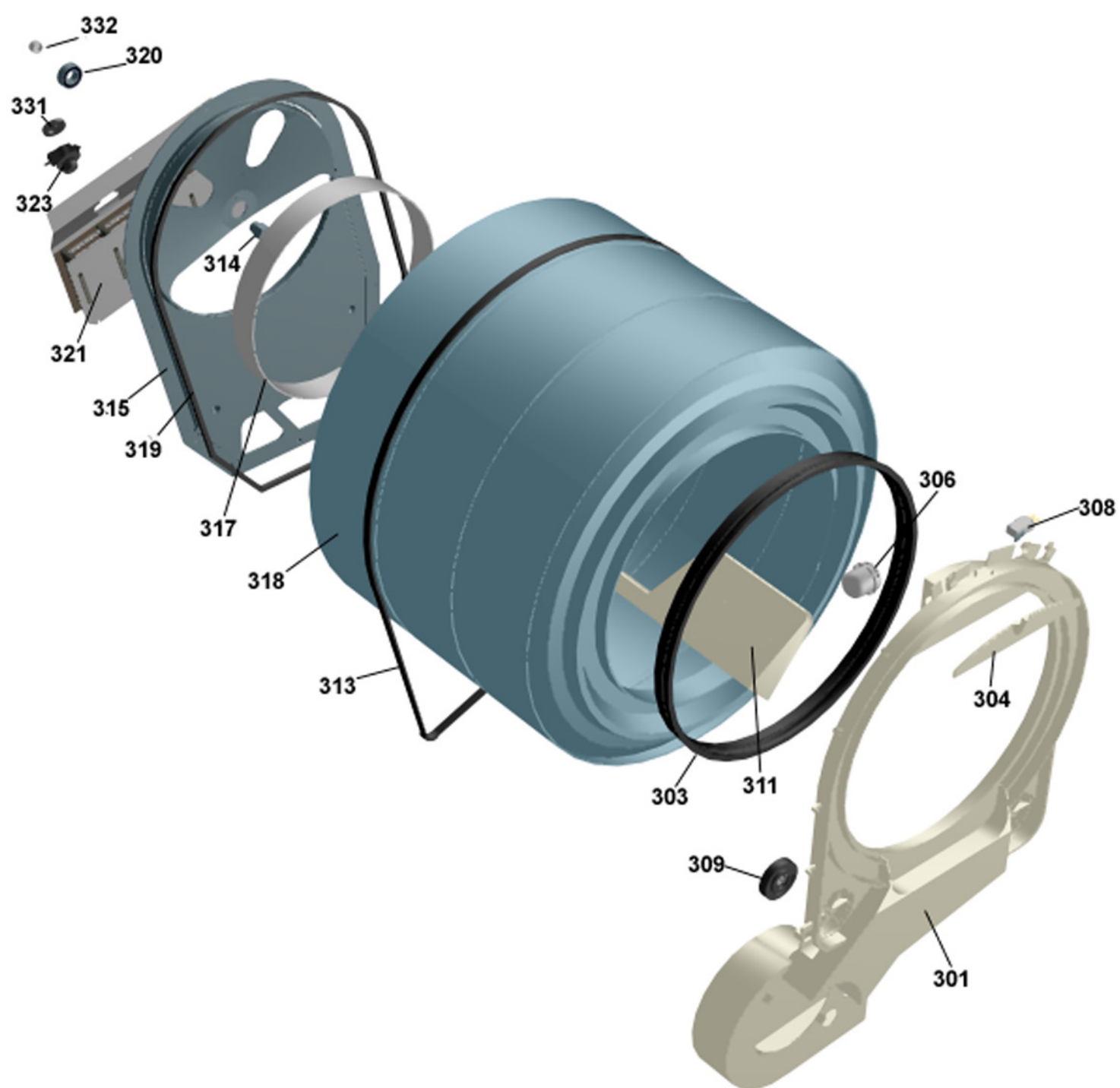




## Outer door

### ASKO, T760 US - Stainless (TD33US)

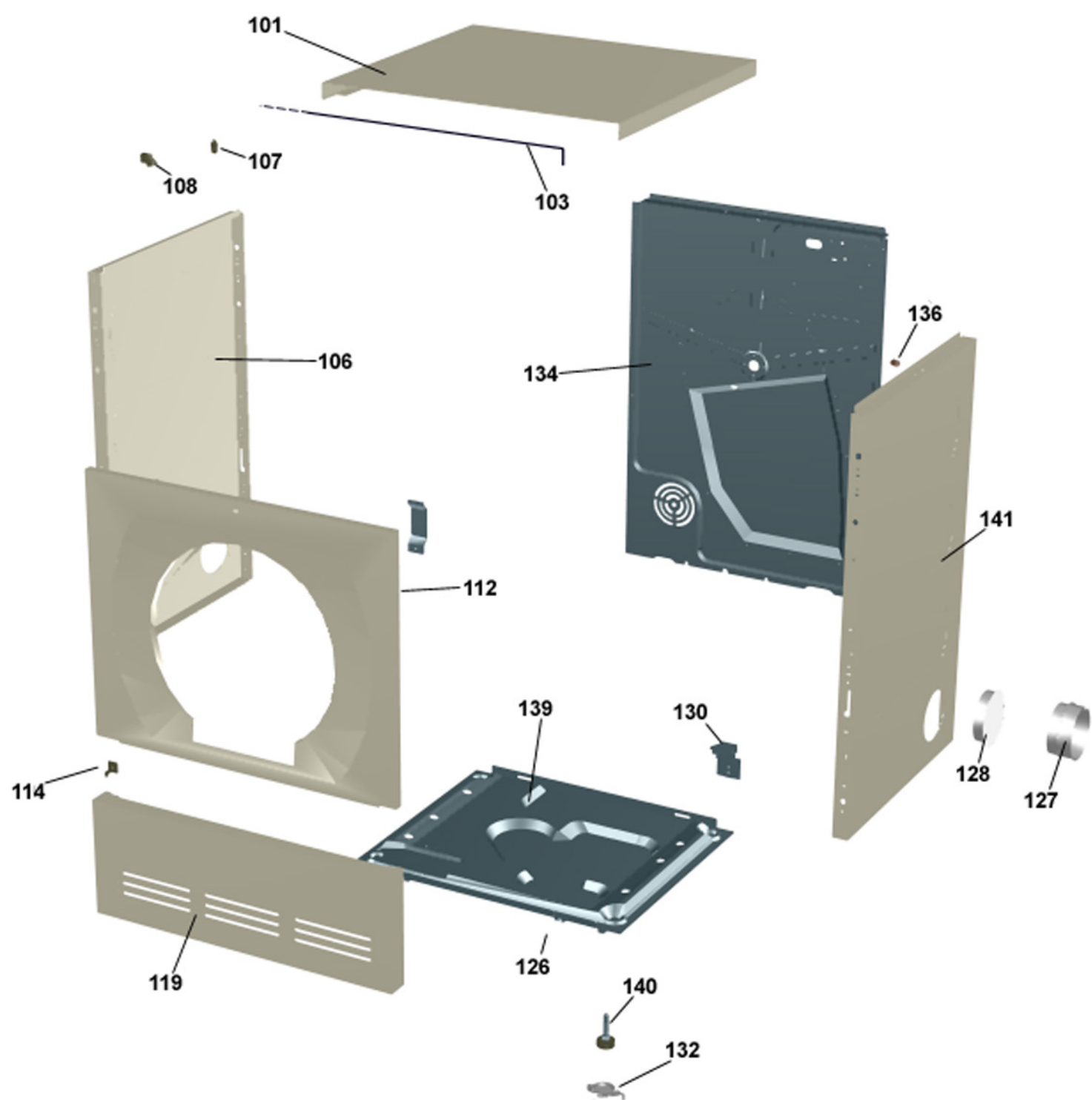
Pos	Spare part No.	Description	Qty	Comment
601	8061733-95	DOOR OUTER PART SS WMD20	1 Pcs	
602	8061810	DOOR INNER	1 Pcs	
602-a	8902068	SCREW PTK 40X14 WN1453 PF FZB	5 Pcs	
604	8061813-86	HANDLE DOOR BLACK	1 Pcs	
610	8063893	MAGNET LOCK SS COMPL	1 Pcs	
611	8061886	HOLDER MAGNET LOCK TD20	1 Pcs	
612	8061815	DOOR SEAL OUTER	1 Pcs	
613	8061811	Repl by 8065840	1 Pcs	
615	8061812	DOUBLE FLUFF FILTER	1 Pcs	
616	8061865-33	HINGE BEARING BLACK TD20	2 Pcs	
617	8061953-33	PLUG DOOR BLACK TD20	1 Pcs	



## Cylinder and related parts

### ASKO, T760 US - Stainless (TD33US)

Pos	Spare part No.	Description	Qty	Comment
301	8801216	FRONT FRAME COMPL TD20/21	1 Pcs	
301-a	8902066	SCREW A2-PTK 35X14 WN1453 PF	4 Pcs	
303	8061821	FELT SEAL FRONT	1 Pcs	
304	8061932	LAMPHOUSING LID WHITE TD20	1 Pcs	
306	8061887	LAMP CHIMNEY ULTEM TD20 UL4	1 Pcs	
308	8053107	MICROSWITCH DOOR	1 Pcs	
309	8052622	SUPPORT ROLLER COMPLETE	1 Pcs	
311	8052589	PADDLETT	2 Pcs	
311-a	8902099	SCREW PTK 50X14 WN1452 FZB T20	5 Pcs	
313	8061961	DRIVE BELT Replby 8065710	1 Pcs	
314	8052632	BEARING BUSH	1 Pcs	
315	8061851	REAR PANEL INNER TD20	1 Pcs	
315-a	8900369	SCREW RTS 48X13 FZB T25	13 Pcs	
317	8064440	FELTSEALING REAR	1 Pcs	
318	8061800	CYLINDER COMPL TD20	1 Pcs	
319	8059712	SPONGE RUBBER STRIP 6X9X1650	1 Pcs	
320	8004439	BALL BEARING SKF 6202-2Z/C3Q66	1 Pcs	
321	8063808	HEATING ELEMENT 2500W UL4	1 Pcs	
321-a	8900369	SCREW RTS 48X13 FZB T25	2 Pcs	
323	8008487	THERMOSTAT 26237430 150C	1 Pcs	
323-a	8900369	SCREW RTS 48X13 FZB T25	1 Pcs	
331	8052650	DIAPHRAGM OVERHEATPROTECTOR	1 Pcs	
332	8064151	CAP OF BOLT	1 Pcs	



## Outer casing

### ASKO, T760 US - Stainless (TD33US)

Pos	Spare part No.	Description	Qty	Comment
101	8061817-95	TOP COVER STAINLESS	1 Pcs	
101-a	8900338	SCREW RTK ST 42X95 FZB T20	3 Pcs	
101-b	8901413	LOCK WASHER AZ 43 GALV	2 Pcs	
103	8064062	STRIP TOP COVER WMD20 UL4	1 Pcs	
106	8801175-95	SIDE PLATE COMPLLEFT TD20 EXH	1 Pcs	
107	8061763	GUIDE FRONT PLATE/TOP COVER	2 Pcs	
108	8061916	CABLE HOLDER WMD20 UL4	2 Pcs	
112	8061847-95	FRONT PLATE TD20 STAINLESS	1 Pcs	
112-a	8900338	SCREW RTK ST 42X95 FZB T20	2 Pcs	
112-b	8901413	LOCK WASHER AZ 43 GALV	2 Pcs	
114	8064177	HOOK LOWER PANEL UL4	2 Pcs	
114-a	8900338	SCREW RTK ST 42X95 FZB T20	2 Pcs	
119	8801247-95	LOWER COVER COMPLWCLIPS TD20	1 Pcs	
127	8052641	STUB EXHAUSTCANAL UL4	1 Pcs	
128	8052640-33-UL	LID EXHAUST CANAL BLACK UL4	2 Pcs	
130	8053980	TIP GUARD SURFACE CONDITIONED	2 Pcs	
132	8064114	CUP SELF ADHESIVEIN BAG(2pcs)	1 Pcs	
134	8064196	REAR PANEL OUTER PUNCHED	1 Pcs	
134-a	8900338	SCREW RTK ST 42X95 FZB T20	10 Pcs	
136	8061915	CABLE HOLDER TD20	1 Pcs	
137	8063852	HOLDING PLATE MAGNET LOCK	1 Pcs	
137-a	8901619	POP-RIVET AL/ST 4X10	2 Pcs	
139	8061618	BOTTOM WMD20	1 Pcs	
140	8059334	RUBBER FOOT D35xM10 INC NUT	4 Pcs	
141	8801176-95	SIDE PLATE COMPLRIGHT TD20EXH	1 Pcs	