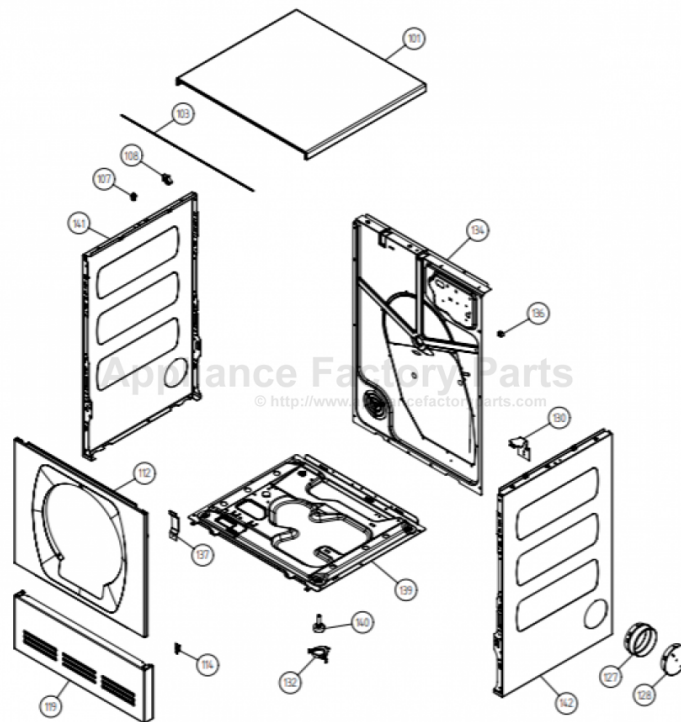


This Owner's Manual is provided and hosted by [Appliance Factory Parts](http://www.appliancefactoryparts.com).



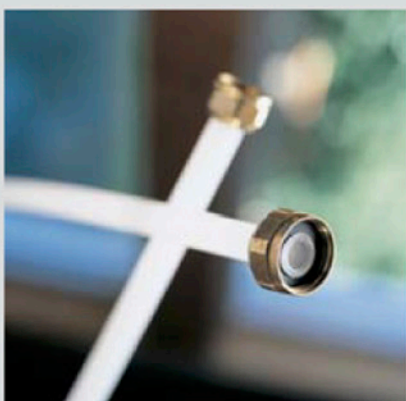
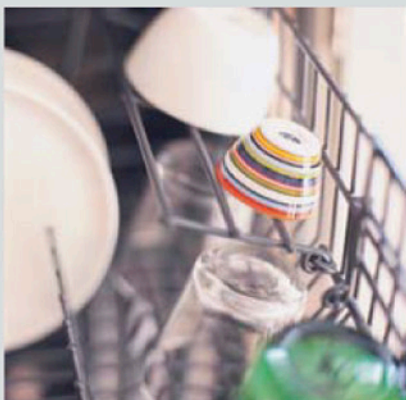
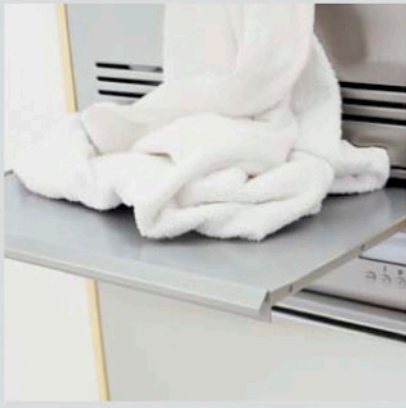
ASKO T761 Owner's Manual

[Shop genuine replacement parts for ASKO T761](#)



[Find Your ASKO Dryer Parts - Select From 73 Models](#)

----- Manual continues below -----



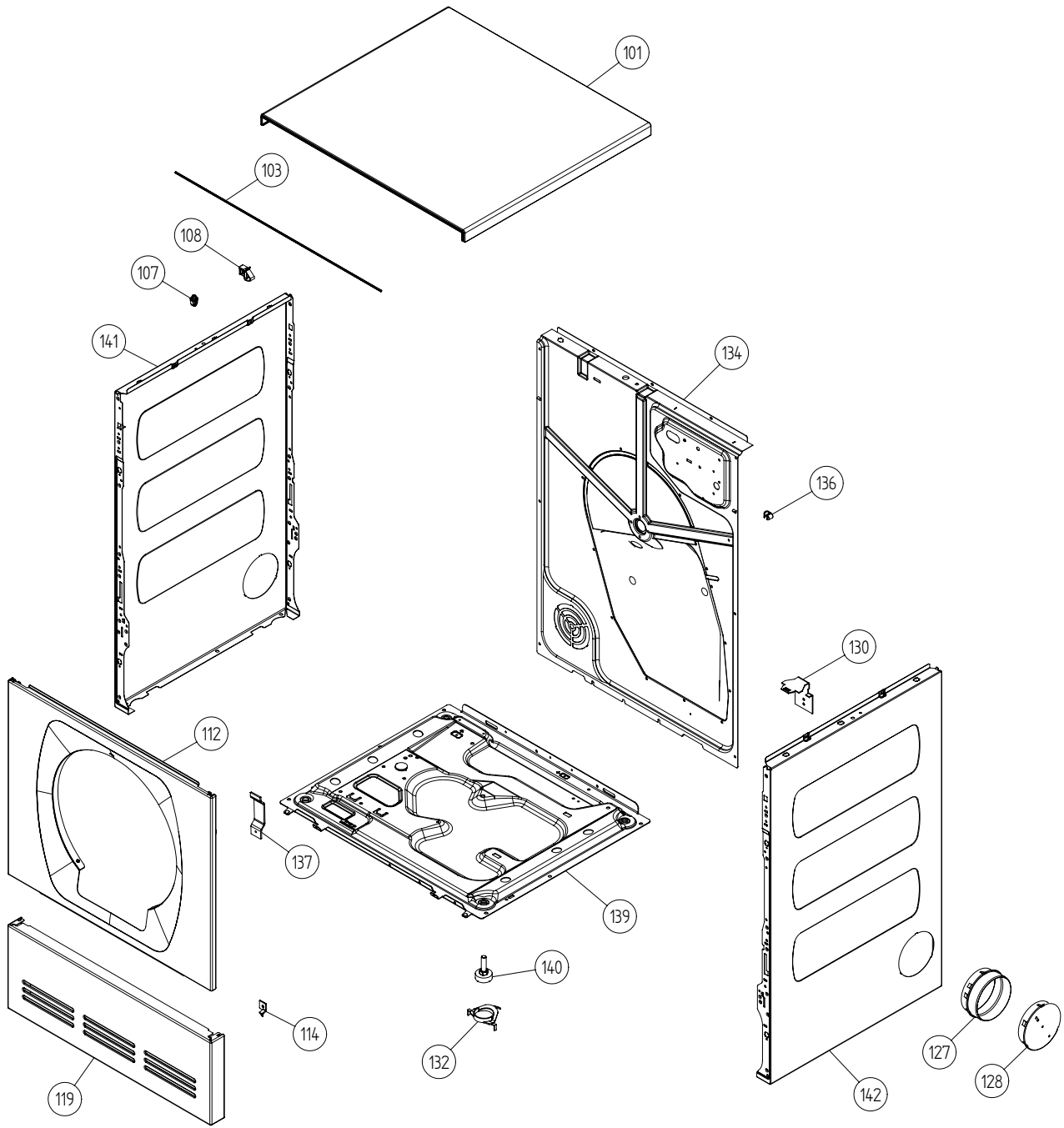
Spare Parts Catalogue

Dryers \ 700 Series
Type: TD33US
Model: T761 US Stainless

Prod. No: 10776111
December 22nd 2004

AM Appliances Group

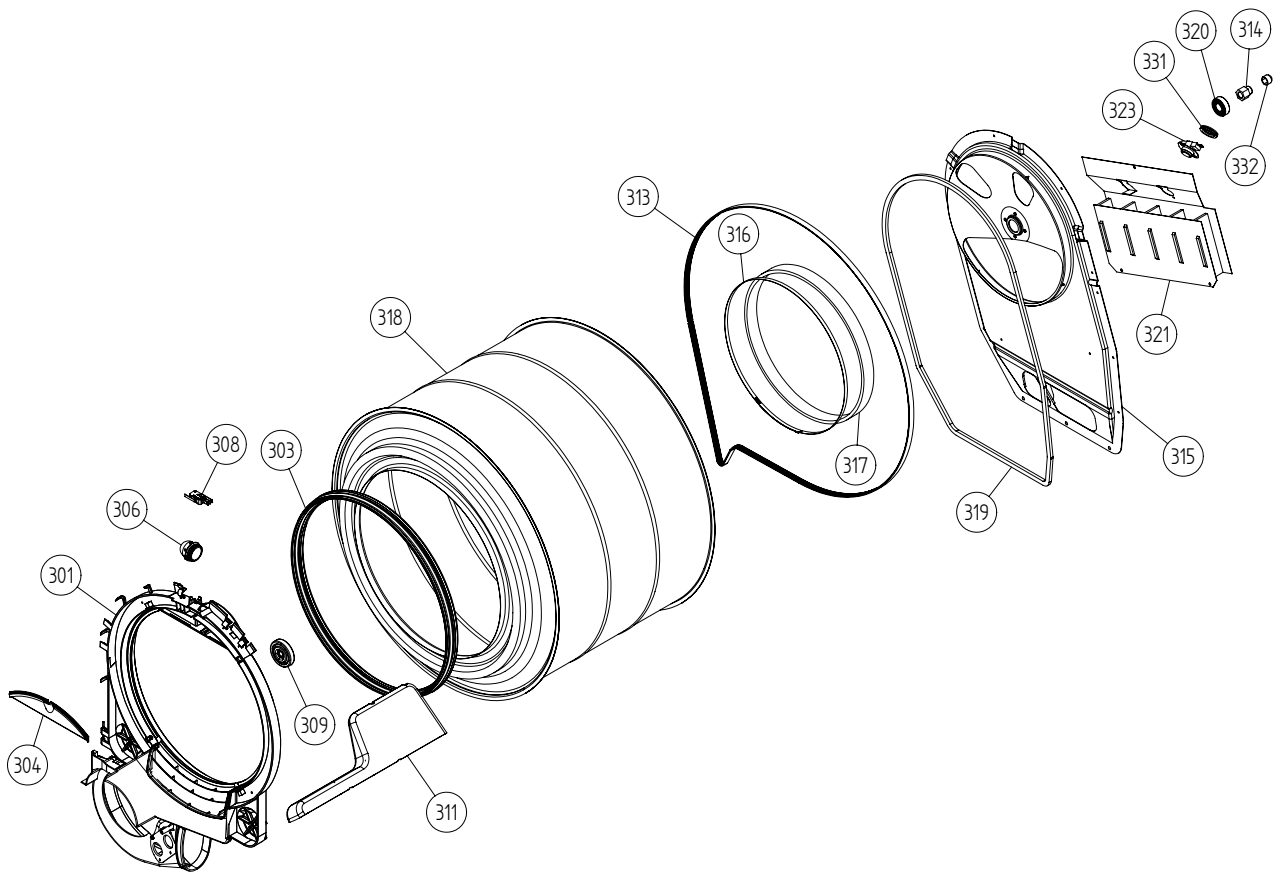
P.O. Box 851805 • Richardson • TX 75085-1805
789 N. Grove Road • Suite 103 • Richardson • TX 75081



Outer casing

ASKO, T761 US - Stainless (TD33US)

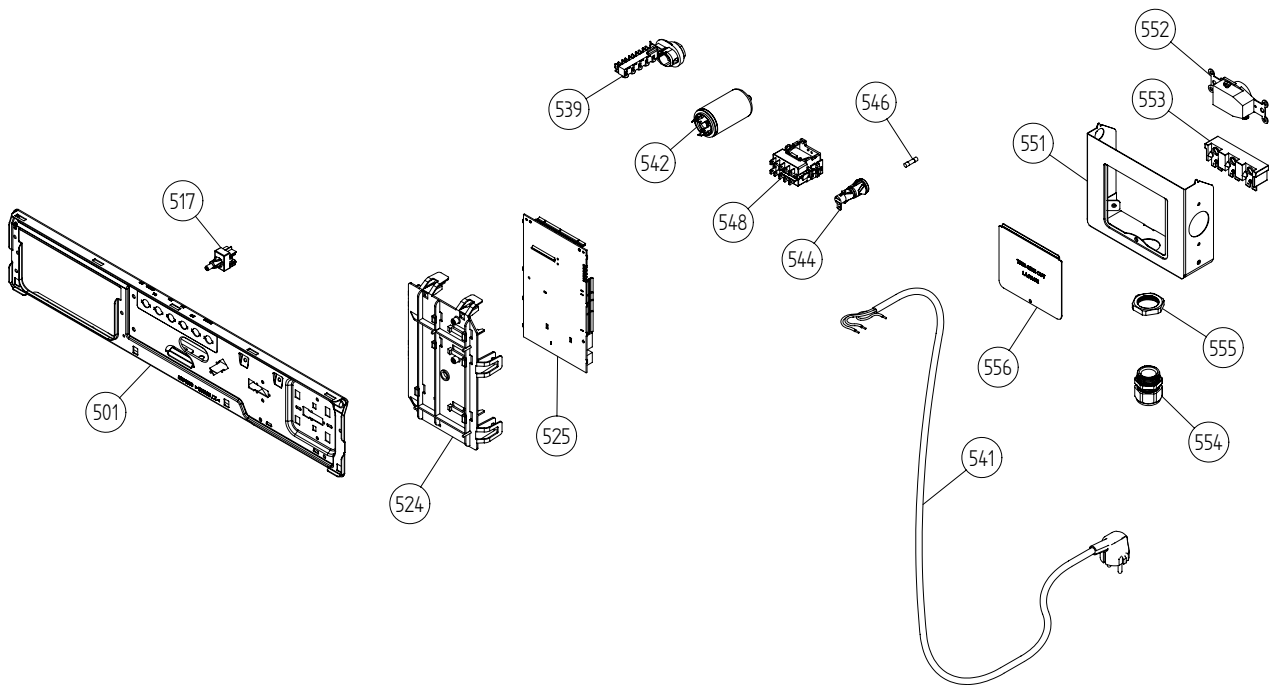
Pos	Spare part No.	Description	Qty	Comment
101	8061817-95	TOP COVER STAINLESS	1 Pcs	
101-a	8900338	SCREW RTK ST 42X95 FZB T20	3 Pcs	
101-b	8901413	LOCK WASHER AZ 43 GALV	2 Pcs	
103	8064062	STRIP TOP COVER WMD20 UL4	1 Pcs	
107	8061763	GUIDE FRONT PLATE/TOP COVER	2 Pcs	
108	8061916	CABLE HOLDER WMD20 UL4	2 Pcs	
112	8061847-95	FRONT PLATE TD20 STAINLESS	1 Pcs	
112-a	8900338	SCREW RTK ST 42X95 FZB T20	2 Pcs	
112-b	8901413	LOCK WASHER AZ 43 GALV	2 Pcs	
114	8064177	HOOK LOWER PANEL UL4	2 Pcs	
114-a	8900338	SCREW RTK ST 42X95 FZB T20	2 Pcs	
119	8801247-95	LOWER COVER COMPLWCLIPS TD20	1 Pcs	
127	8052641	STUB EXHAUSTCANAL UL4	1 Pcs	
128	8052640-81-UL	LID EXHAUST CANAL GREY UL4	2 Pcs	
128	8052640-33-UL	LID EXHAUST CANAL BLACK UL4	2 Pcs	
130	8053980	TIP GUARD SURFACE CONDITIONED	2 Pcs	
132	8064114	CUP SELF ADHESIVEIN BAG(2pcs)	1 Pcs	
134	8064196	REAR PANEL OUTER PUNCHED	1 Pcs	
134-a	8900338	SCREW RTK ST 42X95 FZB T20	10 Pcs	
136	8061915	CABLE HOLDER TD20	1 Pcs	
137	8063852	HOLDING PLATE MAGNET LOCK	1 Pcs	
137-a	8901619	POP-RIVET AL/ST 4X10	2 Pcs	
139	8061618	BOTTOM WMD20	1 Pcs	
140	8059334	RUBBER FOOT D35xM10 INC NUT	4 Pcs	
141	8801175-95	SIDE PLATE COMPLLEFT TD20 EXH	1 Pcs	
142	8801176-95	SIDE PLATE COMPLRIGHT TD20EXH	1 Pcs	



Cylinder and related parts

ASKO, T761 US - Stainless (TD33US)

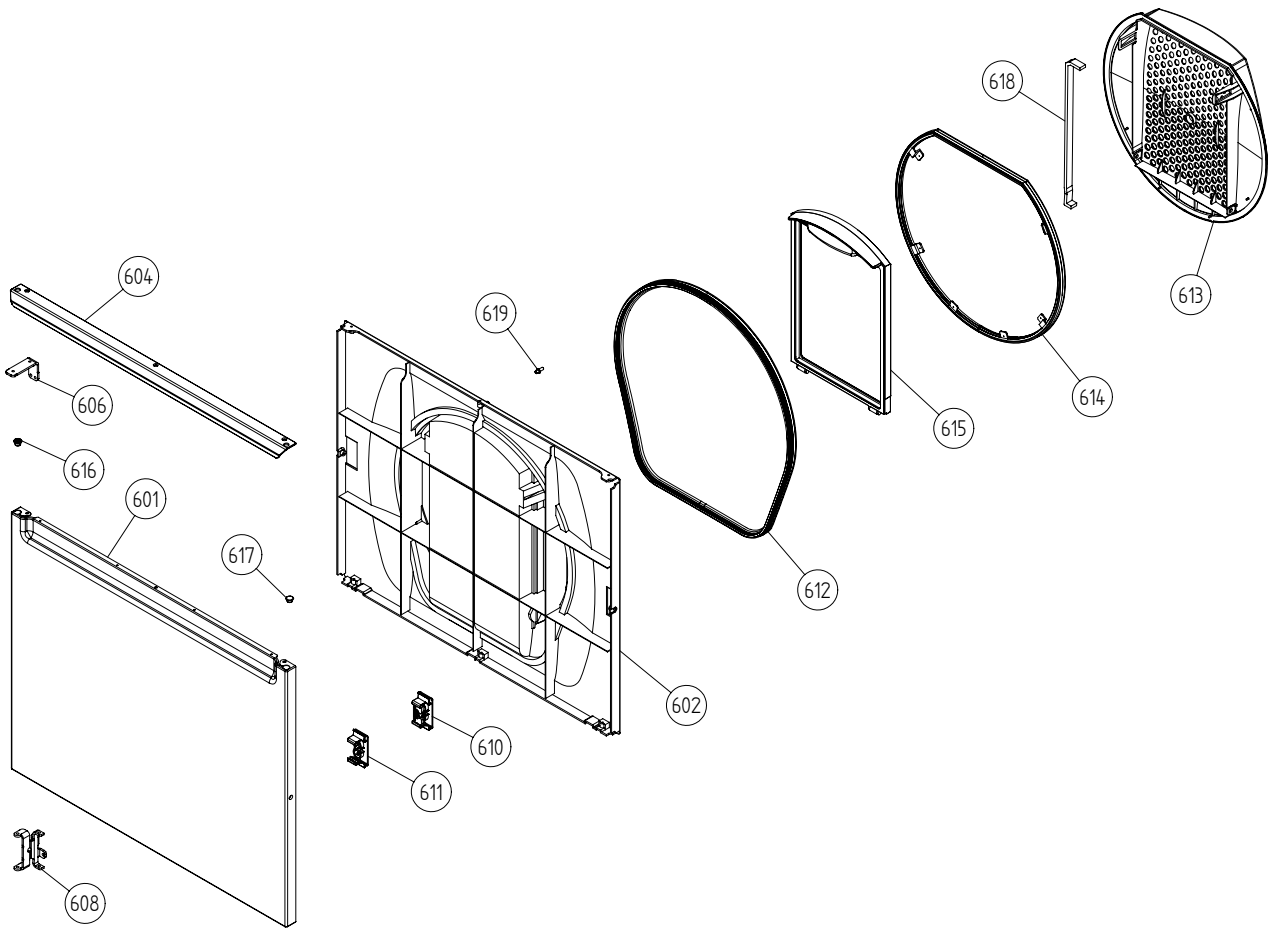
Pos	Spare part No.	Description	Qty	Comment
301	8801216	FRONT FRAME COMPL TD20/21	1 Pcs	
301-a	8902066	SCREW A2-PTK 35X14 WN1453 PF	4 Pcs	
303	8061821	FELT SEAL FRONT	1 Pcs	
304	8061932-49	LAMP HOUSING LID GREY UL4	1 Pcs	
306	8061887	LAMP CHIMNEY ULTEM TD20 UL4	1 Pcs	
308	8053107	MICROSWITCH DOOR	1 Pcs	
309	8052622	SUPPORT ROLLER COMPLETE	1 Pcs	
311	8052589	PADDLETT	2 Pcs	
311-a	8902099	SCREW PTK 50X14 WN1452 FZB T20	5 Pcs	
313	8065710	DRIVEBELT 7PH 1970 AS5B AIRBAG	1 Pcs	
314	8052632	BEARING BUSH	1 Pcs	
315	8061851	REAR PANEL INNER TD20	1 Pcs	
315-a	8900369	SCREW RTS 48X13 FZB T25	13 Pcs	
316	8055054	FELTSTRIP CLAMP REAR	1 Pcs	
317	8052649	FELT STRIP REAR SEWN	1 Pcs	
317	8064440	FELTSEALING REAR	1 Pcs	
318	8061800	CYLINDER COMPL TD20	1 Pcs	
319	8059712	SPONGE RUBBER STRIP 6X9X1650	1 Pcs	
320	8004439	BALL BEARING SKF 6202-2Z/C3Q66	1 Pcs	
321	8063808	HEATING ELEMENT 2500W UL4	1 Pcs	
321-a	8900369	SCREW RTS 48X13 FZB T25	2 Pcs	
323	8008487	THERMOSTAT 26237430 150C	1 Pcs	
323	8064905	THERMOSTAT 150C	1 Pcs	
323-a	8900369	SCREW RTS 48X13 FZB T25	1 Pcs	
331	8052650	DIAPHRAGM OVERHEATPROTECTOR	1 Pcs	
332	8064151	CAP OF BOLT	1 Pcs	



Upper session

ASKO, T761 US - Stainless (TD33US)

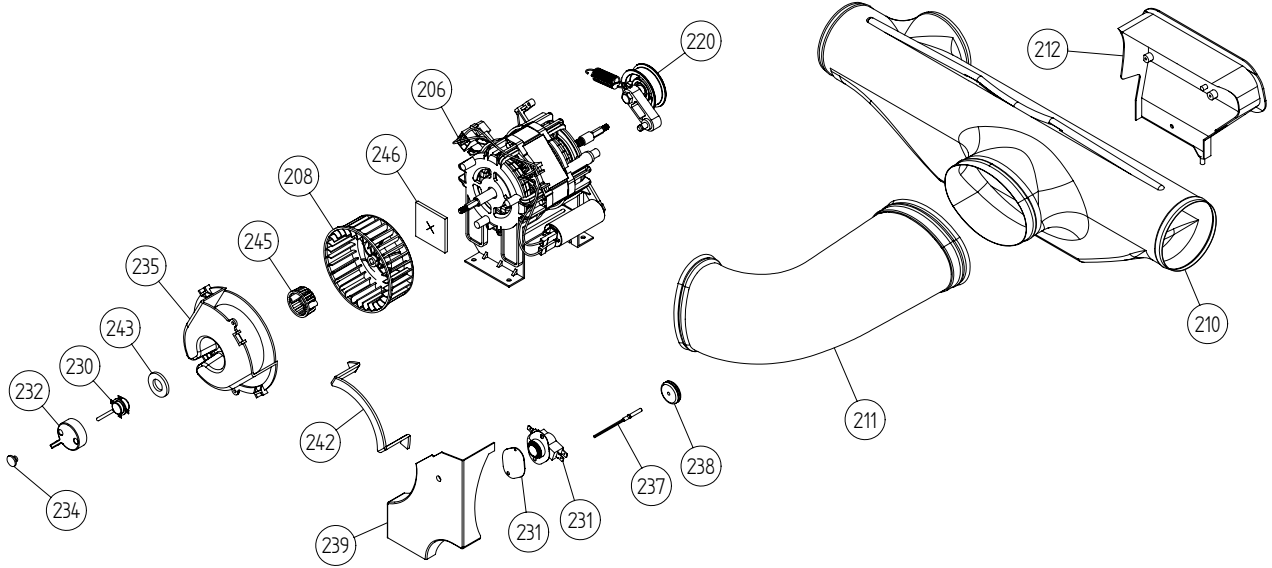
Pos	Spare part No.	Description	Qty	Comment
501	8061690	BEAM FRONT WMD20	1 Pcs	
501-a	8900338	SCREW RTK ST 42X95 FZB T20	2 Pcs	
501-b	8901413	LOCK WASHER AZ 43 GALV	2 Pcs	
501-c	8902087	SCREW PTK 40X14 WN1452 FZB T20	2 Pcs	
517	8061875	PUSHBUTTONSW 2-POLE CLOS	1 Pcs	
524	8061921	HOLDER PROGCONTROLLER WMD20	1 Pcs	
525	8065042	CONTROL UNIT TD21 UL4	1 Pcs	
529	8087500	CABLE KIT TD/30/33A/40/44A	1 Pcs	
539	8061660	TERMINAL BLOCK 5-POLE	1 Pcs	
539-a	8901097	SCREW MRT-TT 4X12 FZB T20	1 Pcs	
542	8058558	RADIOINTERFSUPP FILTER	1 Pcs	
542-a	8901168	NUT Replby 8901155	1 Pcs	
542-b	8901419	LOCK WASHER AZ 84 GALV	1 Pcs	
544	8054613	FUSE HOLDER HTB38	2 Pcs	
544	8065573	FUSE HOLDER GREY 15A US/CA	2 Pcs	
544-a	8058140	FUSE 15AT 63X32	2 Pcs	
544-b	8055725	FUSE HOLDER INSERT STI	2 Pcs	
545	8055725	FUSE HOLDER INSERT STI	2 Pcs	
546	8058140	FUSE 15AT 63X32	2 Pcs	
548	8064179	CONTACTOR 4S 50/60HZ	1 Pcs	
551	8063931	EL.BOX US/CA COMPL.	1 Pc's	
551	8076324	CONNECTION BOX EXCL. FUSES USA	1 Pc's	
551	8061849	EL.BOX USA TD20	1 Pc's	
551-a	8901097	SCREW MRT-TT 4X12 FZB T20	1 Pcs	
551-a	8065734	EL. BOX USA TD21	1 Pc's	
552	8061033	RECEPTACLE 2-POL 3-WIRE 20/250	1 Pcs	
553	8061891	TERMINAL BLOCK DRYER US	1 Pcs	
554	8060462	GROMMET PG21	1 Pcs	
555	8060463	LOCK NUT PG21	1 Pcs	
556	8063756	LID ELBOX USA	1 Pcs	
556-a	8901097	SCREW MRT-TT 4X12 FZB T20	1 Pcs	



Outer door

ASKO, T761 US - Stainless (TD33US)

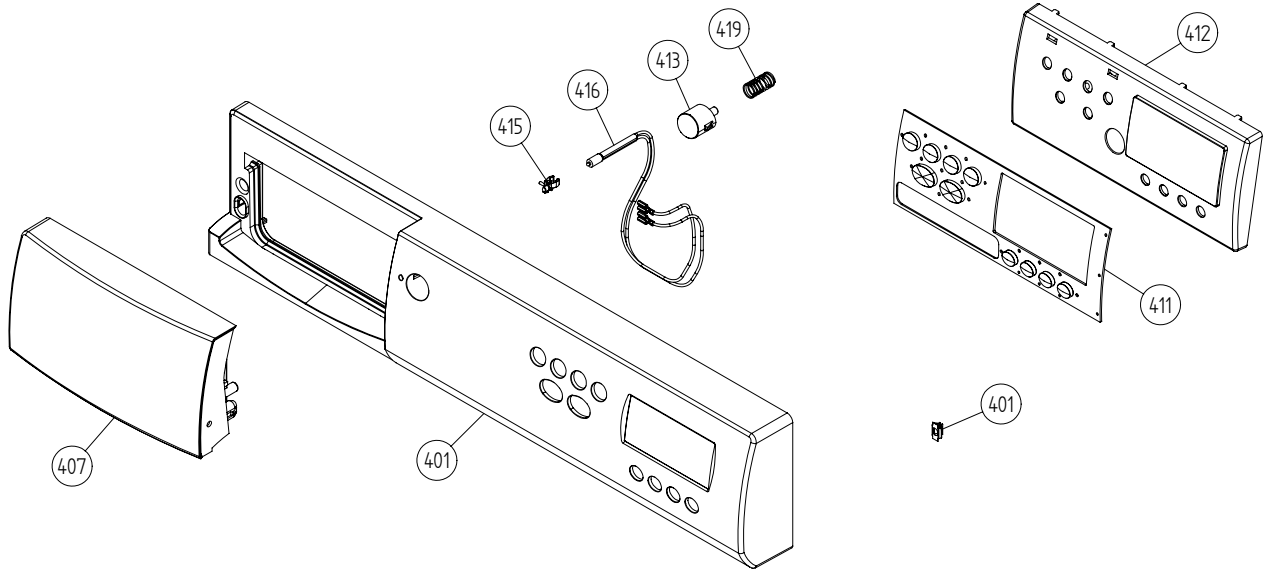
Pos	Spare part No.	Description	Qty	Comment
601	8061733-95	DOOR OUTER PART SS WMD20	1 Pcs	
602	8061810	DOOR INNER	1 Pcs	
602-a	8902068	SCREW PTK 40X14 WN1453 PF FZB	5 Pcs	
604	8061813-86	HANDLE DOOR BLACK	1 Pcs	
604	8061813-26	HANDLE Replby 8061813-86	1 Pcs	
604	8061813-81	HANDLE DOOR GREY METALLIC	1 Pcs	
606	8061803-86	HINGE UPPER COMPL BLACK	1 Pcs	
606	8061805-86	HINGE UPPER BLACK	1 Pcs	
606	8061805-26	HINGE UPPER BLACK	1 Pcs	
606	8061803-81	HINGE UPPER COMPL GREYMET	1 Pcs	
606	8061805	HINGE UPPER	1 Pc's	
606	8061803-26	HINGE UPPER COMPLETE BLACK	1 Pcs	
606	8061805-81	HINGE UPPER GREY METALLIC	1 Pcs	
606-a	8901097	SCREW MRT-TT 4X12 FZB T20	2 Pcs	
606-b	8901619	POP-RIVET AL/ST 4X10	1 Pcs	
608	8061807-26	HINGE LOWER COMPL BLACK	1 Pcs	
608	8061806-86	HINGE LOWER BLACK	1 Pcs	
608	8061807-86	HINGE LOWER COMPL BLACK	1 Pcs	
608	8061806-81	HINGE LOWER GREY METALLIC	1 Pcs	
608	8061807-81	HINGE LOWER COMPL GREYMET	1 Pcs	
608	8061806-26	HINGE LOWER BLACK	1 Pc's	
608-a	8900338	SCREW RTK ST 42X95 FZB T20	2 Pcs	
608-b	8901097	SCREW MRT-TT 4X12 FZB T20	1 Pcs	
610	8063893	MAGNET LOCK SS COMPL	1 Pcs	
611	8061886	HOLDER MAGNET LOCK TD20	0 Pcs	
612	8061815	DOOR SEAL OUTER	1 Pcs	
613	8065840	FILTER HOLDER COMPL	1 Pcs	
614	8065274	SEALING FILTER BRACKET	1 Pc's	
615	8061812	DOUBLE FLUFF FILTER	1 Pcs	
616	8061865-33	HINGE BEARING BLACK TD20	2 Pcs	
616	8061865-81	HINGE BEARING GREY	2 Pcs	
617	8061953-81	PLUG DOOR GREY	1 Pcs	
617	8061953-33	PLUG DOOR BLACK TD20	1 Pcs	
618	8801250	KIT SEALINGSTRIP FILTERHOLDER	1 Pc's	
619	8064240	PIN DOOR SWITCH DRYER	1 Pc's	



Lower session

ASKO, T761 US - Stainless (TD33US)

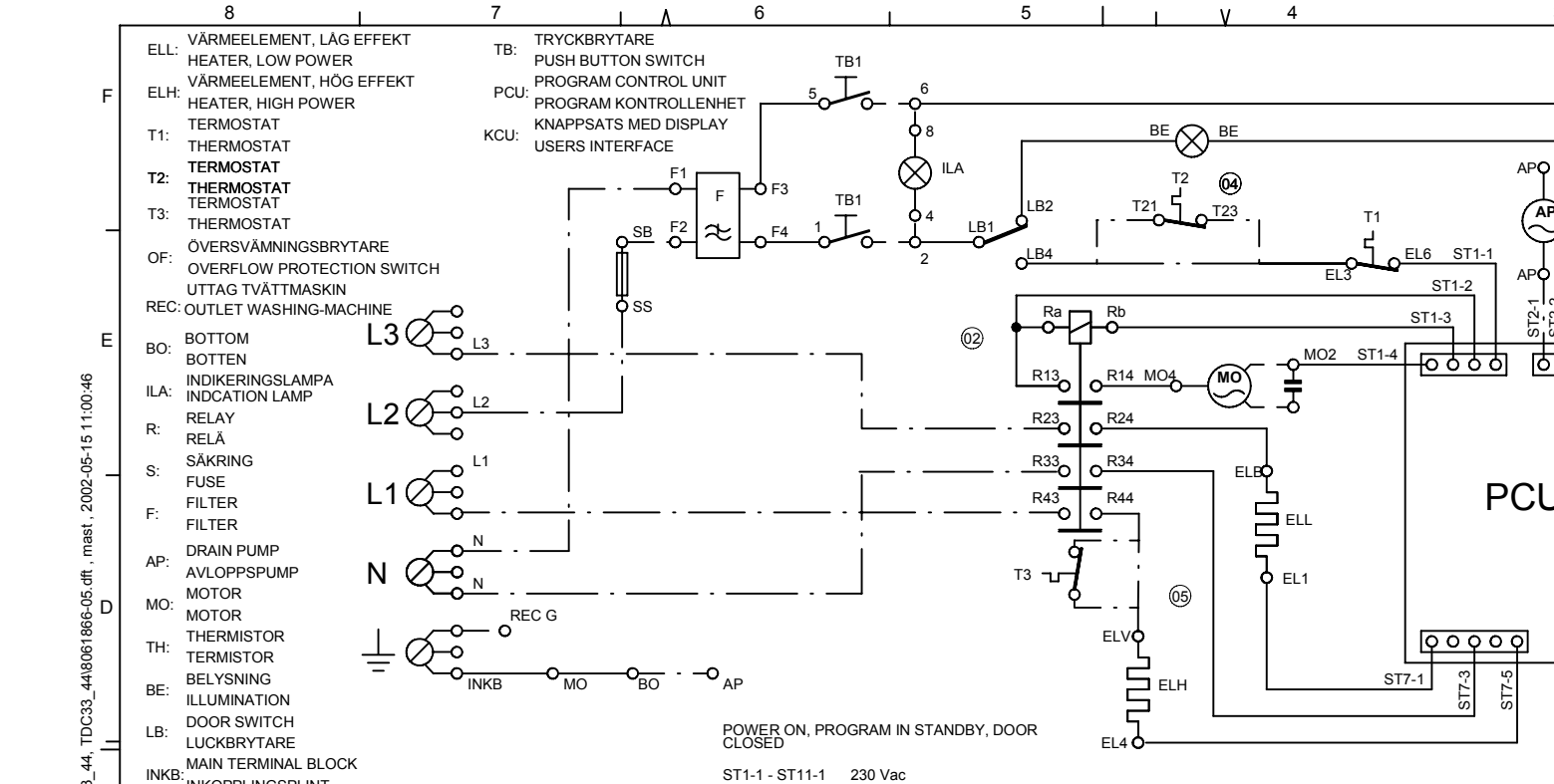
Pos	Spare part No.	Description	Qty	Comment
206	8061895	MOTOR COMPL 60HZ TD20	1 Pcs	
206-a	8901969	SCREW MRT-TT 5x12 FZB T20	4 Pcs	
206-b	8054268	CAPACITOR 8 UF 400V 85GR	1 Pcs	
208	8055200	FAN IMPELLER INT	1 Pcs	
208-a	8901192	NUT LOCKING 6 BH8 GALV	1 Pcs	
210	8052638	EXHAUSTCANAL T-TUBE UL4	1 Pcs	
210	8057037	Repl by 805688	1 Pcs	
211	8052639	EXHAUSTCANAL BEND UL4	1 Pcs	
212	8061956	RECIRKULATION CAP TD20	1 Pcs	
212-a	8902087	SCREW PTK 40X14 WN1452 FZB T20	2 Pcs	
220	8801058	TENSION ARM Replby 8801214	1 Pcs	
230	8061855	HUMIDITY SENSOR TD20 UL4	1 Pcs	
230-a	8902042	SCREW PTK 35X10 WN1452 FZB T10	2 Pcs	
231	8050091	COVER PLATE FOR THERMOSTAT	1 Pcs	
231	8056029	THERMOSTAT 70/59	1 Pcs	
231	8065306	THERMOSTAT 70	1 Pcs	
231-a	8902042	SCREW PTK 35X10 WN1452 FZB T10	1 Pcs	
231-a	8900369	SCREW RTS 48X13 FZB T25	1 Pcs	
232	8061944	FRONT GUARD HUMIDITY SENSOR	1 Pcs	
234	8061959	PLUG HUMIDITY SENSOR/REAR PAN	2 Pcs	
235	8061899	FAN CASING LID TD20 UL4	1 Pcs	
235	8076330-0	FAN CASING LID UL4	1 Pcs	
235-a	8902042	SCREW PTK 35X10 WN1452 FZB T10	2 Pcs	
237	8061900	THERMISTOR UL4 TD20	1 Pcs	
238	8053050	GROMMET	1 Pcs	
239	8061942	GUARD FAN CASING TD20	1 Pcs	
239-a	8902042	SCREW PTK 35X10 WN1452 FZB T10	1 Pcs	
242	8064184	SEALING COVER FAN HOUSE	1 Pcs	
243	8063897	SEALING HUMIDITY SENSOR	1 Pcs	
245	8061943	GUARD HUMIDITY SENSOR TD20	1 Pcs	
246	8058323	SHAFT SEAL DRYER	1 Pcs	



Control panel

ASKO, T761 US - Stainless (TD33US)

Pos	Spare part No.	Description	Qty	Comment
401	8064400-69-UL	PANEL W.HANDLE T761 ASKO UL1	1 Pcs	
401	8076307-81-UL	PANEL W.HANDLE T761 ASKO UL4	1 Pcs	
401-a	8901591	BINDING CLIP SCO 5740	4 Pcs	
407	8061846-69-UL	HANDLE PANEL MECH WMD20	0 Pcs	
407	8061846-81-UL	HANDLE PANEL MECH WMD20	0 Pcs	
411	8064276-33	PUSHBUTTONS W PRINT TD33/44	1 Pcs	
411	8064276-81	PUSHBUTTONS W PRINT TD33/44	1 Pcs	
412	8076271	DISPLAY UNIT WMD21 UL4 *ESD*	1 Pcs	
412	8065328	DISPLAY UNIT WMD21 UL4 *ESD*	1 Pcs	
413	8061902-81	PUSH BUTTON MAINSWITCH WMD20	1 Pcs	
413	8061902-69	PUSHBUTTON MAINSWITCH WMD20	1 Pcs	
415	8061822	DECOR LENS	1 Pcs	
416	8060478	INDLAMP (UL-RECONICED) UL4	1 Pcs	
419	8061857	SPRING MAIN SWITCH WMD20	1 Pcs	
490	8064638	INSTR. GENERAL TD21 US/CA	1 Pcs	
490	8065662	INSTRUCT TD21 ENGLISH US/CA	1 Pcs	
490	8065663	INSTRUCTIONS TD21 FRENCH US/CA	1 Pcs	
490	8065664	INSTRUCT TD21 SPANISH US/CA	1 Pcs	



Symbol	Swedish	English
ELL	VÄRMEELEMENT, LÅG EFFEKT	HEATER, LOW POWER
ELH	VÄRMEELEMENT, HÖG EFFEKT	HEATER, HIGH POWER
T1	TERMOSTAT	THERMOSTAT
T2	TERMOSTAT	THERMOSTAT
T3	TERMOSTAT	THERMOSTAT
OF	ÖVERSVÄMMINGSBRYTARE	OVERFLOW PROTECTION SWITCH
REC	UTTAG TVÄTTMASKIN	OUTLET WASHING-MACHINE
BO	BOTTEN	BOTTOM
ILA	INDIKERINGSLAMP	INDICATION LAMP
R	RELÄ	RELAY
S	SÄKRING	FUSE
F	FILTER	FILTER
AP	AVLOPPSPUMP	DRAIN PUMP
MO	MOTOR	MOTOR
TH	THERMISTOR	THERMISTOR
BE	BELYSNING	ILLUMINATION
LB	LUCKBRYTARE	DOOR SWITCH
INKB	MAIN TERMINAL BLOCK	INKOPPLINGSPLINT

Symbol	Swedish	English
PCU	PROGRAM KONTROLLENHET	PROGRAM CONTROL UNIT
KCU	KNAPPSATS MED DISPLAY	KNAPPSATS MED DISPLAY USERS INTERFACE
TB1	TRYCKBRYTARE	PUSH BUTTON SWITCH
PCU	PROGRAM KONTROLLENHET	PROGRAM CONTROL UNIT
KCU	KNAPPSATS MED DISPLAY	KNAPPSATS MED DISPLAY USERS INTERFACE

Symbol	Swedish	English
ST1-1 - ST11-1	230 Vac	POWER ON, PROGRAM IN STANDBY, DOOR CLOSED
ST2-1 - ST2-2	0 Vac (TD44)	
ST3-1 - ST3-2	0 V (TD44) CLOSED SWITCH	
ST3-1 - ST3-2	13 Vdc (TD44) OPEN SWITCH	
ST5-1 - ST5-4	15 Vdc	
ST5-2 - ST5-3	1-15 mVdc	DEPENDENT ON THE HUMIDITY
ST6-1 - ST6-2	5 Vdc	THERMISTOR DISCONNECTED
ST7-1 - ST7-3	0 V	
ST7-5 - ST7-3	0 v	
ST8-1 - ST8-2	13 Vdc	
ST8-3	DATA IN	
ST8-4	CLOCK	
ST8-5	DATA OUT	

Symbol	Swedish	English
ST1-1 - ST11-1	230 Vac	PROGRAM RUNNING
ST1-1 - ST1-3	230 Vac	
ST1-1 - ST1-4	230 Vac	
ST2-1 - ST2-2	230 Vac (TD44)	30 SECONDS
ST3-1 - ST3-2	0 V (TD44)	CLOSED SWITCH
ST3-1 - ST3-2	13 Vdc (TD44)	OPEN SWITCH
ST5-1 - ST5-4	15 Vdc	
ST5-2 - ST5-3	1-15 mVdc	DEPENDENT ON
ST6-1 - ST6-2	5 Vdc	THERMISTOR
ST7-1 - R24	230 Vac	HEATER ON
ST7-5 - R44	230 Vac	HEATER ON
ST8-1 - ST8-2	13 Vdc	
ST8-3	DATA IN	
ST8-4	CLOCK	
ST8-5	DATA OUT	



Pos.	Qty	Part No.	Name of item
05			Additional thermostat added
04			Additional thermostat added
03			TD44A/TD40 was TD44, TD33/44
02			Wiring Japan added, JS added, MO4 changed
01			ST2-1 - ST2-2 was 230

Pos.	Qty	Part No.	Name of item
05			Additional thermostat added
04			Additional thermostat added
03			TD44A/TD40 was TD44, TD33/44
02			Wiring Japan added, JS added, MO4 changed
01			ST2-1 - ST2-2 was 230