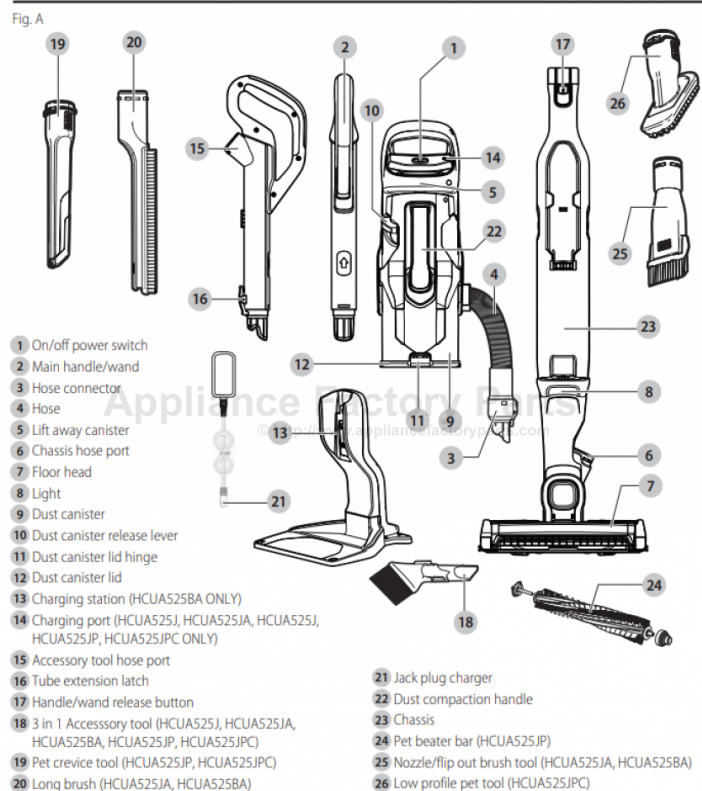


Black & Decker HCUA525J Owner's Manual

[Shop genuine replacement parts for Black & Decker HCUA525J](#)



[Find Your Black & Decker Vacuum Cleaner Parts - Select From 339 Models](#)

----- Manual continues below -----

BLACK+ **DECKER**TM

INSTRUCTION MANUAL
MODE D'EMPLOI
MANUAL DE INSTRUCCIONES

POWERSERIES PRO
2 in 1 Cordless Lithium Ion Vacuum
Aspirateur 2 dans 1 sans fil au
lithium-ion POWERSERIES PRO
Aspiradora de Ion de Litio Inalámbrica
2 en 1 POWERSERIES PRO

HCUA525J
HCUA525JA
HCUA525JP
HCUA525BA
HCUA525JPC

Please read before returning this product for any reason.
À lire avant de retourner ce produit pour quelque raison que
ce soit.
Lea el manual antes de devolver este producto por cualquier
motivo.

ENGLISH

English (*original instructions*)

1

Français (*traduction de la notice d'instructions originale*)

12

Español (*traducido de las instrucciones originales*)

23

Thank you for choosing BLACK+DECKER!

If you have a question or experience a problem with your BLACK+DECKER purchase, go to: <http://www.blackanddecker.com/instantanswers>

If you can't find the answer or do not have access to the Internet, call 1-800-544-6986 from 8 a.m. to 5 p.m. EST Mon. - Fri. to speak with an agent. Please have the CATALOG NUMBER available when you call.

**To register your new product, visit
www.BlackandDecker.com/NewOwner**

**Consulter le site Web www.BlackandDecker.com/NewOwner
pour enregistrer votre nouveau produit.**

**Visite www.BlackandDecker.com/NewOwner para registrar su
nuevo producto.**

DEFINITIONS: SAFETY ALERT SYMBOLS AND WORDS

This instruction manual uses the following safety alert symbols and words to alert you to hazardous situations and your risk of personal injury or property damage.

! **DANGER:** Indicates an imminently hazardous situation which, if not avoided, will result in death or serious injury.

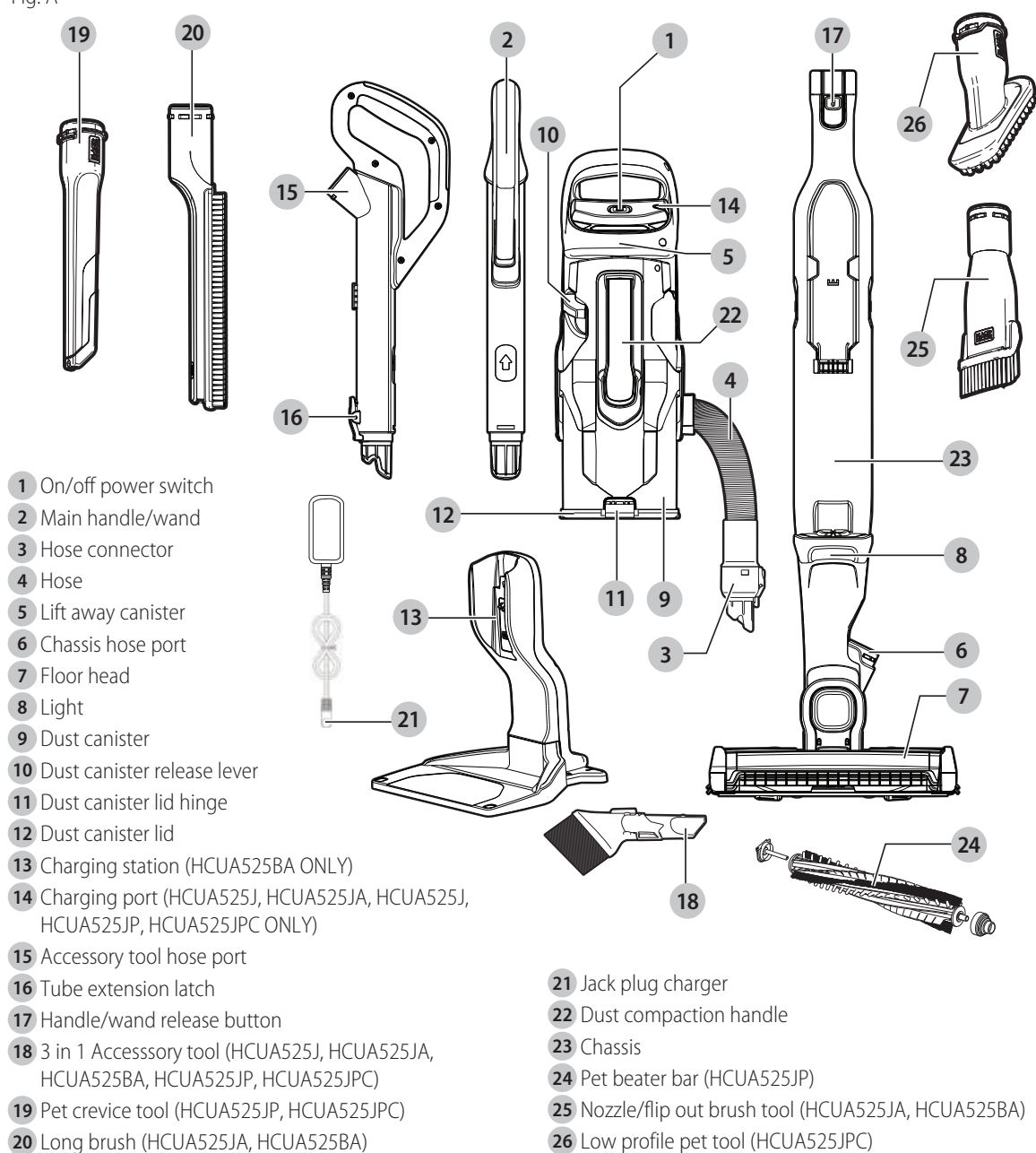
! **WARNING:** Indicates a potentially hazardous situation which, if not avoided, could result in death or serious injury.


! **CAUTION:** Indicates a potentially hazardous situation which, if not avoided, may result in minor or moderate injury.

! (Used without word) Indicates a safety related message.

NOTICE: Indicates a practice not related to personal injury which, if not avoided, may result in property damage.

Fig. A



 **WARNING!** *Read all safety warnings and all instructions. Failure to follow the warnings and instructions may result in electric shock, fire and/or serious injury.*


 **WARNING:** *To reduce the risk of injury, read the instruction manual.*

IMPORTANT SAFETY INSTRUCTIONS


When using an electrical appliances, basic precautions should always be followed, including the following:

READ ALL INSTRUCTIONS BEFORE USING THIS APPLIANCE.

 **WARNING:** *Read all safety warnings and all instructions. Failure to follow the warnings and instructions listed below may result in electric shock, fire and/or serious injury.*

 **WARNING:** *Some household dust contains chemicals known to the State of California to cause cancer, birth defects or other reproductive harm such as asbestos and lead in lead based paint.*

 **WARNING:** *Do not attempt to modify or repair the appliance.*

 **WARNING:** *Do not charge the battery at ambient temperatures below 39 °F (4 °C) or above 104 °F (40 °C). Follow all charging instructions and do not charge the appliance outside of the temperature range specified in the instructions. Charging improperly or at temperatures outside of the specified range may damage the battery and increase risk of fire.*

 **WARNING:** *To reduce the risk of fire, electrical shock or injury:*

- *Shock Hazard. To protect against risk of electrical shock, do not put charging base in water or other liquid.*
- *Do not allow to be used as a toy. Close attention is necessary when used by or near children.*
- *Use only as described in this manual. Use only manufacturer's recommended attachments.*
- *Do not use with damaged cord or plug. If appliance is not working as it should, has been dropped, damaged, left outdoors, or dropped into water, return it to a service center.*

- *Do not pull or carry by cord, use cord as a handle, close a door on cord, or pull cord around sharp edges or corners. Do not run appliance over cord. Keep cord away from heated surfaces.*
- *Do not unplug by pulling on cord. To unplug, grasp the plug, not the cord.*
- *Do not handle charger, including charger plug, and charger terminals with wet hands.*
- *Do not put any object into openings. Do not use with any opening blocked; keep free of dust, lint, hair, and anything that may reduce air flow.*
- *Keep hair, loose clothing, fingers, and all parts of body away from openings and moving parts.*
- *Use extra care when cleaning on stairs.*
- *Do not use to pick up flammable or combustible liquids, such as gasoline, or use in areas where they may be present.*
- *Do not pick up anything that is burning or smoking, such as cigarettes, matches, or hot ashes.*
- *Do not use without dust bag and/or filters in place.*
- *Do not charge the unit outdoors.*
- *Use only the charger supplied by the manufacturer to recharge.*
- *Do not incinerate the appliance even if it is severely damaged. The batteries can explode in a fire.*
- *This appliance is intended for household use only and not for commercial or industrial use.*
- *Do not allow the cord to hang over the edge of a table or counter or touch hot surfaces. The unit should be placed or mounted away from sinks and hot surfaces.*
- *Plug the charger directly into an electrical outlet.*
- *Use the charger only in a standard electrical outlet (120V/60Hz).*
- *Unplug the charger from outlet before any routine cleaning or maintenance.*
- *Do not look into the air vents when the unit is switched on, as sometimes there is a possibility of small debris being discharged from the air vents, especially after cleaning / replacement of the filters as debris inside the unit can be disturbed.*
- *Leaks from battery cells can occur under extreme conditions. If the liquid, which is a 20-35% solution of potassium hydroxide, gets on the skin (1) wash quickly with soap and water or (2) neutralize with a mild acid such as lemon juice or vinegar. If the liquid gets into the eyes, flush them immediately with clean water for a minimum of 10 minutes. Seek medical attention.*

ADDITIONAL SAFETY WARNINGS

- a) **Prevent unintentional starting. Ensure the switch is in the off-position before picking up or carrying the appliance.** *Carrying the appliance with your finger on the switch or energizing appliance that have the switch on invites accidents.*
- b) **Recharge only with the charger specified by the manufacturer.** *A charger that is suitable for one type of battery pack may create a risk of fire when used with another battery pack.*
- c) **Do not use a battery pack or appliance that is damaged or modified.** *Damaged or modified*

batteries may exhibit unpredictable behavior resulting in fire, explosion or risk of injury.

- d) **Do not expose a battery pack or appliance to fire or excessive temperature.** Exposure to fire or temperature above 266 °F (130 °C) may cause explosion.
- e) **Have servicing performed by a qualified repair person using only identical replacement parts.** This will ensure that the safety of the product is maintained.
- f) Only for use with S010QU2300040 and SSC-230040US chargers.

EMC requirements for all digital devices

This device complies with Part 15 of the FCC Rules and Industry Canada License-exempt RSS standard(s). Operation is subject to the following two conditions:

1. This device may not cause harmful interference, and
2. This device must accept any interference received, including interference that may cause undesired operation.

Changes or modifications not expressly approved by the party responsible for compliance could void the user's authority to operate the equipment.

This equipment has been tested and found to comply with the limits for a Class B digital device, pursuant to Part 15 of the FCC Rules. These limits are designed to provide reasonable protection against harmful interference in a residential installation. This equipment generates, uses, and can radiate radio frequency energy and, if not installed and used in accordance with the instructions, may cause harmful interference to radio communications. However, there is no guarantee that interference will not occur in a particular installation. If this equipment does cause harmful interference to radio or television reception, which can be determined by turning the equipment off and on, the user is encouraged to try to correct the interference by one of the following measures:

- Reorient or relocate the receiving antenna.
- Increase the separation between the equipment and receiver.
- Connect the equipment into an outlet on a circuit different from that to which the receiver is connected.
- Consult the dealer or an experienced radio/TV technician for help.

CAN ICES-3(B)/NMB-3(B)

SAVE THESE INSTRUCTIONS

SYMBOLS

The label on your tool may include the following symbols. The symbols and their definitions are as follows:

V	volts
A	amperes
Hz	hertz
W	watts
min	minutes
~ or AC	alternating current
— or DC	direct current
n ₀	no load speed
ⓘ	Class I Construction (grounded)
⊕	earthing terminal
⚠	safety alert symbol
Ⓜ	Class II Construction (double insulated)
.../min or rpm.	revolutions or reciprocation per minute
Wh	Watt Hours

ASSEMBLY

⚠ WARNING: Do not attempt to modify or repair the appliance.

Intended use

Your BLACK+DECKER lithium ion cordless 2 in 1 canister stick vacuum cleaner has been designed for light dry vacuum cleaning purposes. This appliance is intended for household use only.

Assembly (Fig. A, B–D)

1. Align the main handle/wand **2** to the chassis **23** as shown in Figure B.
2. Push the main handle/wand **2** into the chassis **23** as shown in Figure B.
3. Fit the lift away canister **5** to the chassis **23** so it locks into place as shown in Figure C.
4. Fit the hose **4** to the chassis hose port **6** as shown in Figure D.
5. To stand the unit upright, angle the chassis forward so that it is standing straight up. The floor head **7** will hold the chassis in place.

⚠ WARNING: When not in use position the upright unit with the rear of the chassis facing a wall so that any inadvertent fall of the unit would contact a wall and not people or pets.

Fig. B

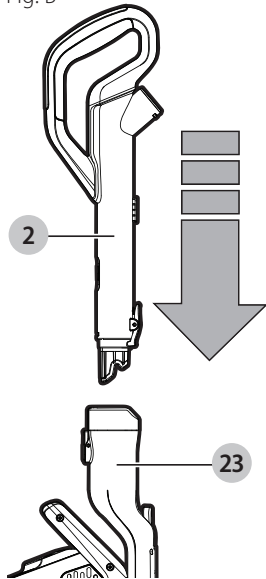


Fig. C

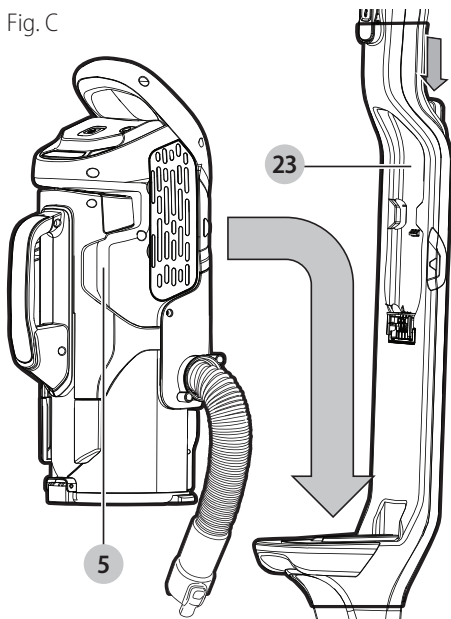
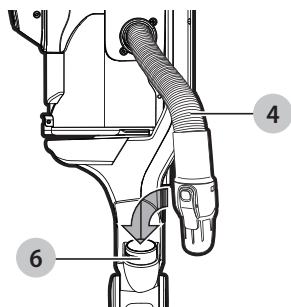


Fig. D



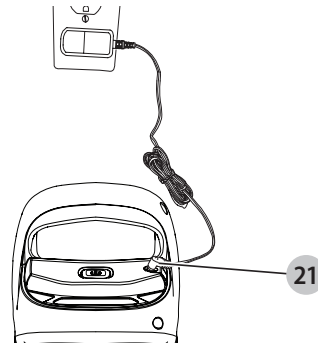
Charging the battery (HCUA525J, HCUA525JA, HCUA525J, HCUA525JP)

⚠ WARNING: For use only with the supplied charger.

From new, the rechargeable cells of the product need a minimum charge time of 6 hours to ensure full power.

- The unit must be turned off in order to charge.
- Figure E - Plug the jack plug **21** of the charger into the charging port **14** of the tool. Plug the charger into any standard 120 Volt 60 Hz electrical outlet.

Fig. E



- While charging, the charger may get warm, this is perfectly normal and safe. It is safe to leave the appliance connected to the charger indefinitely. The charger automatically reduces power consumption when charging is complete.

Battery Sensor LED Patterns	
	Battery Fault (All LEDs)
	Charger Fault (All LEDs)
	Battery Hot (All LEDs)

⚠ WARNING: Do not charge the battery at ambient temperatures below 39 °F (4 °C) or above 104 °F (40 °C). Follow all charging instructions and do not charge the appliance outside of the temperature range specified in the instructions. Charging improperly or at temperatures outside of the specified range may damage the battery and increase risk of fire.

Charging the battery (HCUA525BA)

⚠ WARNING: For use only with the supplied charger.

- Before first use, the battery must be charged for at least 6 hours.
- Place the appliance on the charging station **13** whenever it is not in use as shown in Figure F.

Plug the charger into any standard 120 Volt 60 Hz electrical outlet. The LED charging indicator will flash and increase in sections. LEDs go out when fully charged.

NOTE: The charging base is supplied with 2 screws and wall plugs for securing it to a wall, providing extra stability, as shown in Figure F.

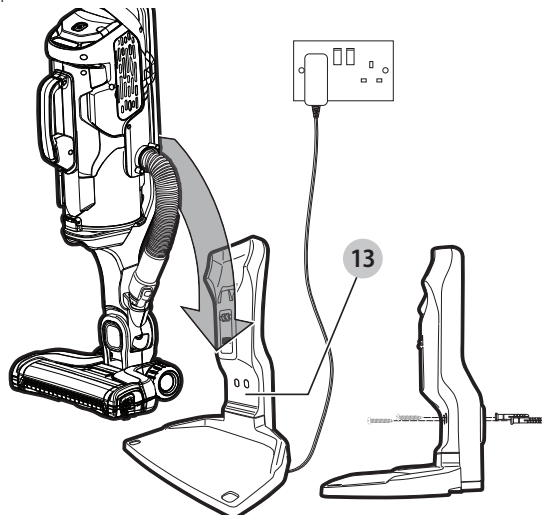
Battery Sensor LED Patterns	
	Battery Fault (All LEDs)
	Charger Fault (All LEDs)
	Battery Hot (All LEDs)

⚠ WARNING: Before charging, be sure to empty all contents and dry thoroughly if needed to avoid damage to your appliance.

- The unit must be turned off in order to charge.

NOTE: While charging, the charger may become warm. This is normal and does not indicate a problem. The appliance can be left connected to the charger indefinitely.

Fig. F



⚠ WARNING: Do not charge the battery at ambient temperatures below 39 °F (4 °C) or above 104 °F (40 °C). Follow all charging instructions and do not charge the appliance outside of the temperature range specified in the instructions. Charging improperly or at temperatures outside of the specified range may damage the battery and increase risk of fire.

USE

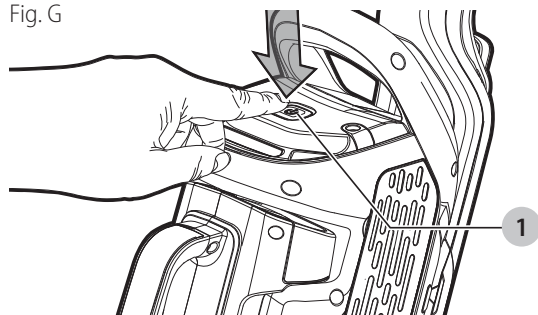
Switching on and off (Fig. G)

- To switch ON, press the on/off switch **1**. The state of charge indicator LEDs will illuminate and vacuum will begin in AUTOSENSE mode.

NOTE: Unit starts in mid performance setting.

- To switch OFF, press the on/off switch **1**.
- Return the product to the charger immediately after use so that it will be ready and fully charged for the next use. Ensure that the product is fully engaged with the charger plug and charger base.

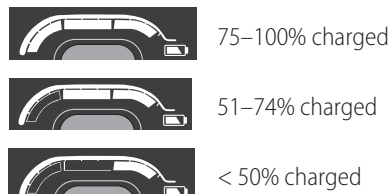
Fig. G



State of charge indicator

This appliance includes a state of charge indicator which consists of three white LED lights that indicate the level of charge remaining in the battery. This feature is only activated when the vacuum is powered on.

The state of charge indicator is an indication of approximate levels of charge remaining in the battery pack according to the following indicators:



The LED battery indicator displays the remaining charge and warns you when the battery is low. The final LED will flash continuously when there is only 1 minute of runtime remaining. All LEDs will flash when the unit is discharged.

NOTE: The state of charge indicator is only an indication of the charge left on the battery. It does not indicate tool functionality and is subject to variation based on product components, temperature and end-user application.

AUTOSENSE (Fig. H)

The appliance is fitted with a unique floor sense feature. It will automatically switch between low and high suction modes as it detects the surface that is being vacuumed.

- The appliance will default to using AUTOSENSE when you turn the unit ON.
- To turn off AUTOSENSE, first turn the unit ON then press the AUTOSENSE button **35** to deactivate the feature.

The features incorporated are:



FLOORSENSOR Touch Button

Intelligent floor sensor technology increases suction on carpets and switches to Economy Mode for lighter tasks, such as hard floor cleaning, thus optimising the battery run time. This feature is active when the LED is lit. In order to maximise runtime on all surfaces, switch this feature off by touching area.



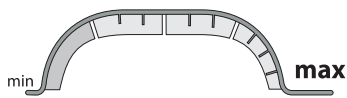
Power control Touch Slider

Touch button panel allows you to control the level of power to the unit from minimum to maximum by sliding finger along this area.



Beater bar Touch Button

Allows you to turn on and off the beater bar function by touching this area.



State of charge indicator

Allows you to monitor the level of power being used.



BATTERYSENSOR Indicator

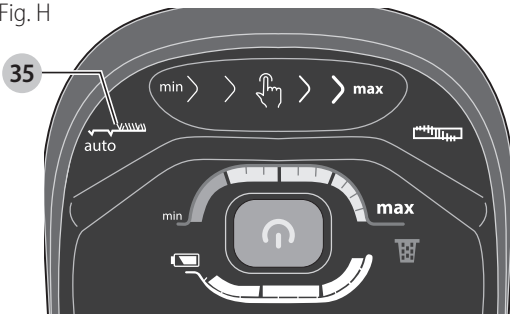
The LED battery indicator displays the remaining charge and warns you when the battery is low. The final LED will flash continuously when there is only 1 minute of runtime remaining. All LEDs will flash when the unit is discharged.



FILTERSENSOR

Smart sensor technology automatically detects (the symbol will light red) when the filter becomes clogged and needs to be cleaned.

Fig. H

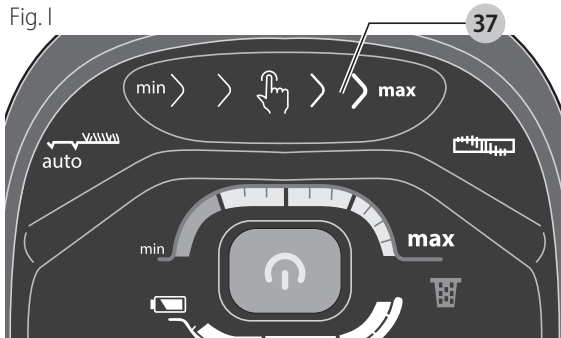


Adjustable suction force (Fig. I)

The appliance has an adjustable suction slider 37. The vacuum can be adjusted to operate at a lower suction level to extend run time or higher suction level to pick up debris that requires more power.

- To increase suction slide your finger on the adjustable suction slider 37 to the right as shown in Figure I. Corresponding LEDs on the min/max indicator will display the selected suction force.
- To decrease suction slide your finger on the adjustable suction slider 37 to the left.

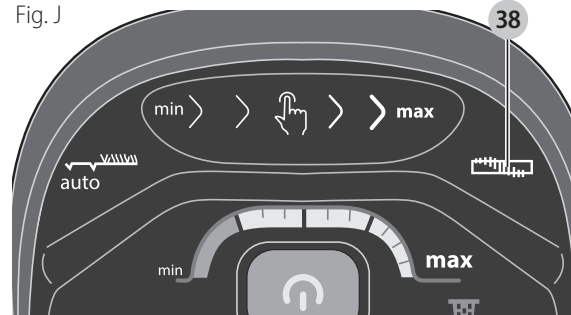
Fig. I



Powered rotary brush and LED (Fig. J, Z)

- To engage the rotary brush 39 (Fig. Z) inside the floor head 7, depress the rotary brush ON/OFF button 38 as shown in Figure J. When the rotary brush is ON the LED work light will illuminate to better see debris as you vacuum.
- To disengage the rotary brush 39, depress the rotary brush ON/OFF button 38 a second time.

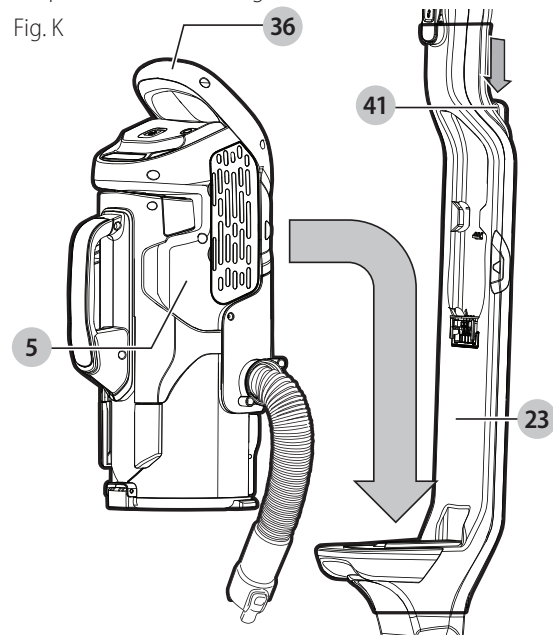
Fig. J



Removing and attaching the lift away canister (Fig. K, L)

- To remove the lift away canister from the chassis, press the lift away canister release button 41 to release the lift away canister 5 from the chassis 23 hold the lift away handle 36 and lift out the lift away canister 5 as shown in Figure K.
- Release the hose connector 3 from the chassis hose port 6 as shown in Figure L.
- To attach the lift away canister to the chassis, hold the main lift off handle 36 and place the lift away canister 5 onto the chassis and slide downward so the canister locks into position as shown in Figure K.
- Connect the hose connector 3 to the chassis hose port 6 as shown in Figure L.

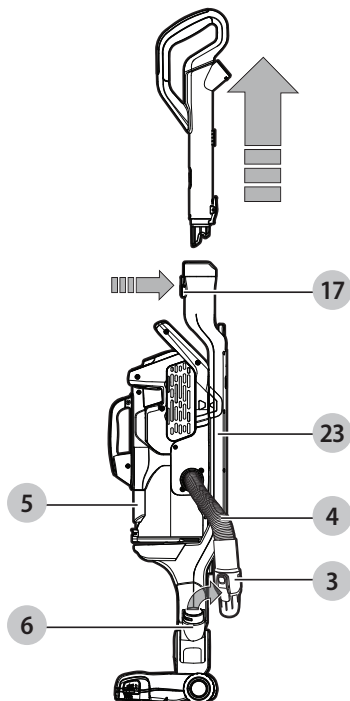
Fig. K



Using the accessory tool (Fig. L-0)

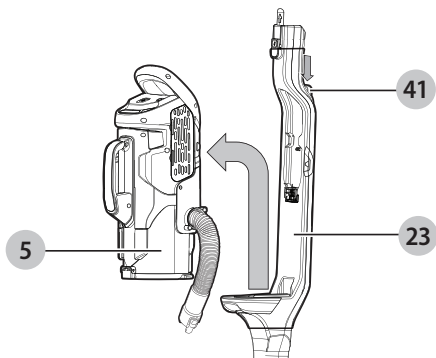
- Press the main handle/wand release button **17** to free the main handle/wand from the chassis **23**.
- Free the hose connector **3** from the main body hose port **6** as shown in Figure L.

Fig. L



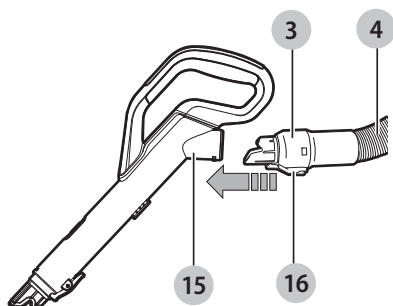
- Press the lift away canister release button **41** to release and remove the lift away canister **5** from the chassis **23** as shown in Figure M.

Fig. M



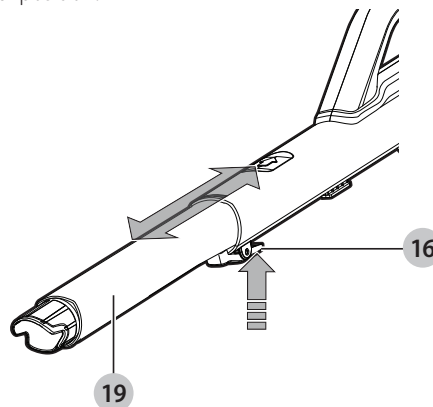
- Connect the HOSE CONNECTOR **3** TO THE ACCESSORY TOOL HOSE PORT **15** ENSURING THAT THE LATCH **16** CLICKS SECURELY INTO PLACE AS SHOWN in Figure N.

Fig. N



- Extend the crevice tool **19** as shown in Figure O, until it clicks in place.
- To retract the crevice tool **19** press the crevice tool release button **16** allowing it to return to its normal position.

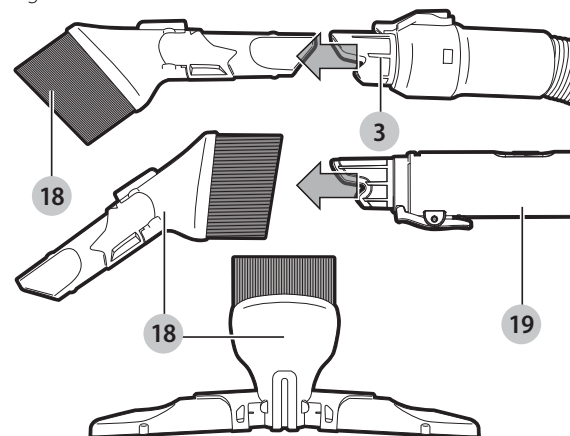
Fig. O



Using the 3 in 1 Accessory tool (Fig. P)

- The 3-in-1 accessory tool **18** has three configurations.
 - Brush mode.
 - Small crevice mode.
 - Upholstery mode.
- The 3-in-1 accessory tool can be fitted either directly to the hose connector **3** or to the pet crevice tool **19** as shown in Figure P.

Fig. P



Cleaning and emptying the vacuum

! WARNING: *Projectile/Respiratory Hazard: Never use the vac without its filter.*

NOTE: The filter is re-usable, do not confuse it with a disposable dust bag, and do not throw it away when the product is emptied. We recommend that you replace the filter every 6-9 months depending on frequency of use. There are two methods of cleaning the canister, a quick empty method and a thorough clean method.

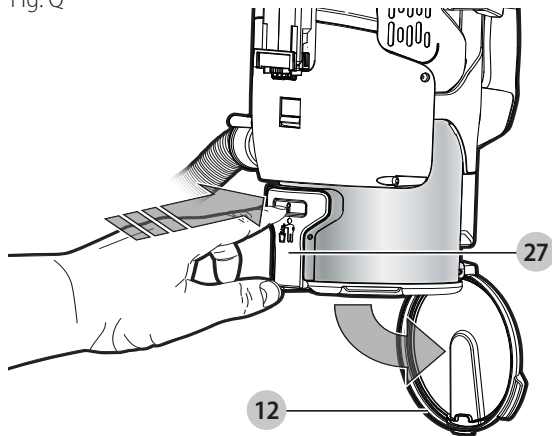
To empty the dust canister (Fig. L, M, Q, R)

- Press the life away canister release button **41** to release and remove the lift away canister **5** from the chassis **23** as shown in Figure M.

ENGLISH

- Release the hose connector **3** from the main body hose port **6** as shown in Figure L.

Fig. Q



- Place the dust canister over a trash bin and press the dust canister lid release button **27** to empty the canister as shown in Figure Q.
- Push the compaction handle **22** down to empty the contents of the dust canister **9** as shown in Figure R.

NOTE: The dust compaction handle **22** can also be used to compact the contents of the dust canister **9**, doubling the capacity of the dust canister.

- Close the dust canister lid **12**, until it “clicks” firmly into position.

Compacting the contents of the dust canister (Fig. R)

With the dust canister lid **12** closed, push the compacting handle **22** down to compact the contents of the dust canister **9** thus increasing its capacity as shown in Figure R.

Fig. R



Releasing the dust canister (Fig. R–T)

NOTE: The dust canister can be released either from the unit while it is in chassis mode, as shown in Figure S, or when being used in the lift away canister vac mode, as shown in Figure T.

- Press the dust canister release lever **10** down to release the dust bowl.
- Free the dust canister **9** from the lift away canister vac **5**.

NOTE: The catch **34** ensures that the unit will be unable to start when the dust canister **9** is not connected to the lift away canister vac **5** or when the compaction handle **22** is in operation.

- Using the dust canister handle **35** and holding the unit over a suitable waste receptacle, press the dust canister release button **27** to release the dust canister lid **12** and push the compacting handle **22** down to empty the contents of the dust canister **9** as shown in Figure R.

Fig. S

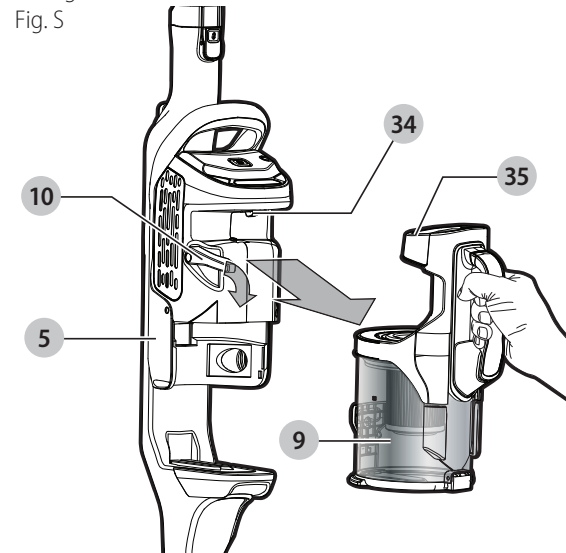
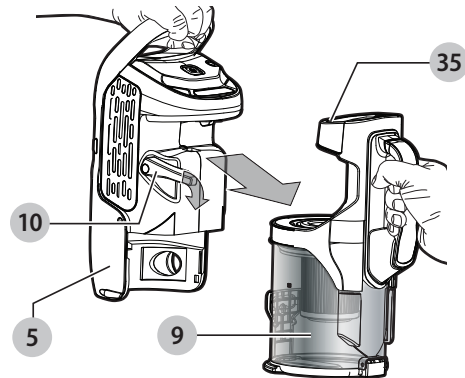


Fig. T



Cleaning the filters (Fig. S–X)

- Press the dust canister release lever **10** down to release the dust canister as shown in Figure S.
- While holding the compaction handle **22**, lift the filter assembly **28** from the dust canister **9** by rotating counter-clockwise as shown in Figure U.

NOTE: A scented disc will be provided in foil packaging. This is to be opened and the disc is to be placed in the bottom of the pre-filter allowing for a pleasing odor to be released when the appliance is in use.

- The filter **29** can now be removed from the pre filter **30** as shown in Figure V.
- The dust canister can be separated into two parts, **9** and **40**, for a more thorough cleaning as shown in Figure W.
- Shake or lightly brush any loose dust off filter.

- Rinse out the dust canister with warm soapy water.
- Wash the filters with warm soapy water (Fig. X).
- Make sure the filters are dry
- Refit the filters into the appliance.
- Close the dust canister lid, until it "clicks" firmly into position.

Fig. U

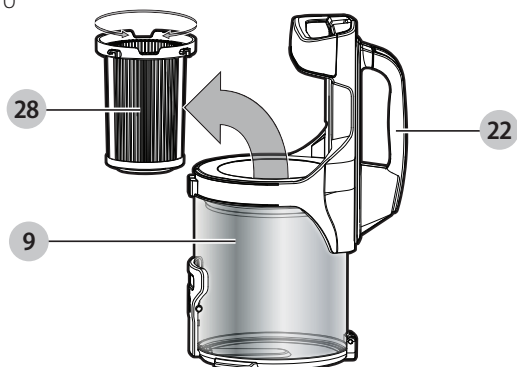


Fig. V

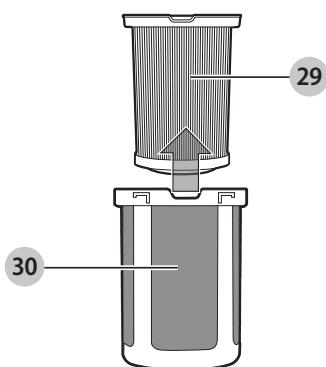
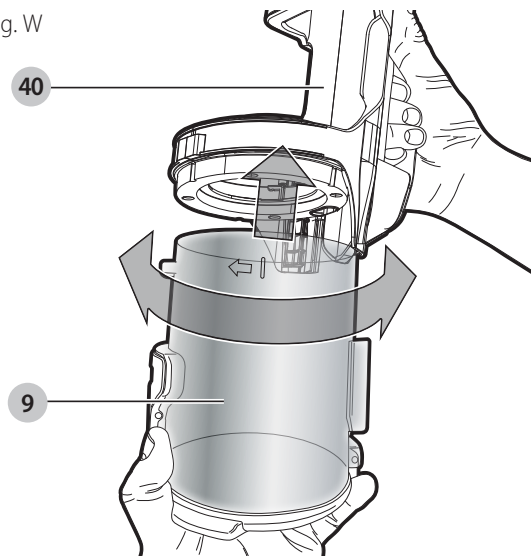
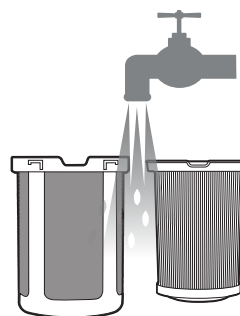


Fig. W



- The dust canister 9 and filter can be washed in warm soapy water. Allow to dry before placing back into the vac.

Fig. X



- Refit the filters into the appliance and ensure that they are correctly seated.
- To replace dust canister, place it back onto the handle until it "clicks" firmly into position.

IMPORTANT: Maximum dust collection will only be obtained with a clean filter and an empty dust canister. If dust begins to fall back out of the product after it is switched off, this indicates that the canister is full and requires emptying.

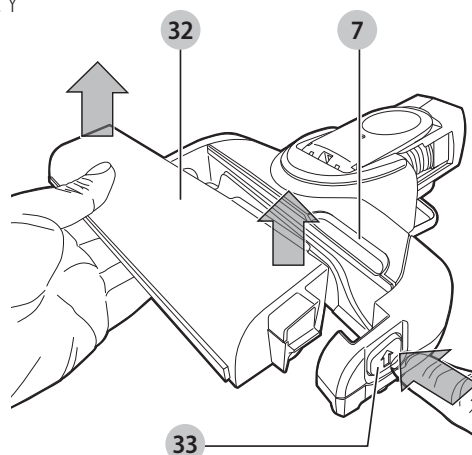
- Wash the filters regularly using warm, soapy water and ensure that it is completely dry before using again. The cleaner the filter is, the better the product will perform.
- It is very important that the filter is correctly in position before use.

Removing and clearing the rotary brushes (Fig. Y, Z)

CAUTION: To reduce the risk of injury from moving parts, disconnect lift away canister before cleaning or servicing.

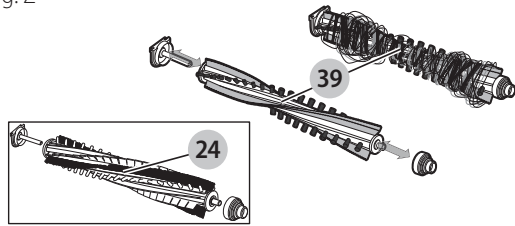
- To remove the rotary brush unit 32 from the floor head 7. Depress the release button 33 as shown in Figure Y. The rotary brush unit will pop up from its locked position.
- The rotary brush 39 can now be removed. The end pieces are also removable allowing you to clear the brushes from any hair or other debris that may have accumulated as shown in Figure Z.

Fig. Y



ENGLISH

Fig. Z



Replacing the filters

The filters should be replaced every 6 to 9 months and whenever worn or damaged. Replacement filters are available from your BLACK+DECKER dealer.

Visit www.blackanddecker.com to locate dealers.

- Remove the old filters as described in **Cleaning the Filters**.
- Fit the new filters as described in **Cleaning the Filters**.

(cat. no: VSPF10LC)

These fit all units. When these filters reach the end of their lifespan they must be disposed of at a local recycling center.

Filters are supplied in foil packaging which needs to be removed prior to use.

Scented filter

BEFORE FIRST USE - remove bag from the scented pre-filter. Reassemble per instructions above.

When the vacuum is turned on, the plastic scented filter will emit an aroma to freshen the air.

⚠ WARNING:

- Causes mild skin irritation
- Toxic to aquatic life
- Harmful to aquatic life with long lasting effects.
- Dispose of contents/ containers to an approved waste disposal plant.

NOTE: When the plastic scented filter no longer lets off the aroma, it can be an indication that the filter needs to be replaced.

MAINTENANCE

Use only mild soap and damp cloth to clean the vac. Never let any liquid get inside the vac; never immerse any part of the vac into a liquid.

⚠ WARNING: Make sure the vacuum is completely dry before using it.

IMPORTANT: To assure product SAFETY and RELIABILITY, repairs, maintenance and adjustment (other than those listed in this manual) should be performed by authorized service centers or other qualified service organizations, always using identical replacement parts.

TROUBLESHOOTING

If the product does not work, check the following:

- The charger was correctly plugged in for recharge. (It feels slightly warm to the touch.)
- The charger cord is not damaged and is correctly attached.
- The charger is plugged into a working electrical outlet.
- The switch is in the "OFF" position when charging.

For assistance with your product, visit our website www.blackanddecker.com for the location of the service center nearest you or call the BLACK+DECKER help line at **1-800-544-6986**.

ACCESSORIES

Recommended accessories for use with your appliance are available from your local dealer or authorized service center. If you need assistance regarding accessories, please call:

1-800-544-6986.

⚠ WARNING: The use of any accessory not recommended for use with this appliance could be hazardous.

SERVICE INFORMATION

All BLACK+DECKER Service Centers are staffed with trained personnel to provide customers with efficient and reliable power tool service. Whether you need technical advice, repair, or genuine factory replacement parts, contact the BLACK+DECKER location nearest you. To find your local service location, call: **1-800-544-6986** or visit www.blackanddecker.com

TWO-YEAR LIMITED WARRANTY

Black & Decker (U.S.) Inc. warrants this product to be free from defects in material or workmanship for a period of two (2) years following the date of purchase, provided that the product is used in a home environment. This limited warranty does not cover failures due to abuse, accidental damage or when repairs have been made or attempted by anyone other than BLACK+DECKER and its Authorized Service Centers. A defective product meeting the warranty conditions set forth herein will be replaced or repaired at no charge in either of two ways: The first, which will result in exchanges only, is to return the product to the retailer from whom it was purchased (provided that the store is a participating retailer). Returns should be made within the time period of the retailer's policy for exchanges. Proof of purchase may be required. Please check with the retailer for its specific return policy regarding time limits for returns or exchanges. The second option is to take or send the product (prepaid) to a BLACK+DECKER owned or authorized Service Center for repair or replacement at BLACK+DECKER's option. Proof of purchase may be required. BLACK+DECKER owned and authorized service centers are listed online at www.blackanddecker.com. This warranty does not apply to accessories. This warranty gives you specific legal rights and you may have other rights which vary from state to state. Should you have any questions, contact the manager of your nearest BLACK+DECKER Service Center. This product is not intended for commercial use, and accordingly, such commercial use of this product will void this warranty. All other guarantees, express or implied, are hereby disclaimed.

LATIN AMERICA: This warranty does not apply to products sold in Latin America. For products sold in Latin America, check country specific warranty information contained in the packaging, call the local company or see the website for such information.

Imported by Black & Decker (U.S.) Inc.,
701 E. Joppa Rd.
Towson, MD 21286



Définitions : symboles et termes d'alarmes sécurité

Ces guides d'utilisation utilisent les symboles et termes d'alarmes sécurité suivants pour vous prévenir de situations dangereuses et de risques de dommages corporels ou matériels.

⚠ DANGER : indique une situation dangereuse imminente qui, si elle n'est pas évitée, **entraînera la mort ou des blessures graves.**

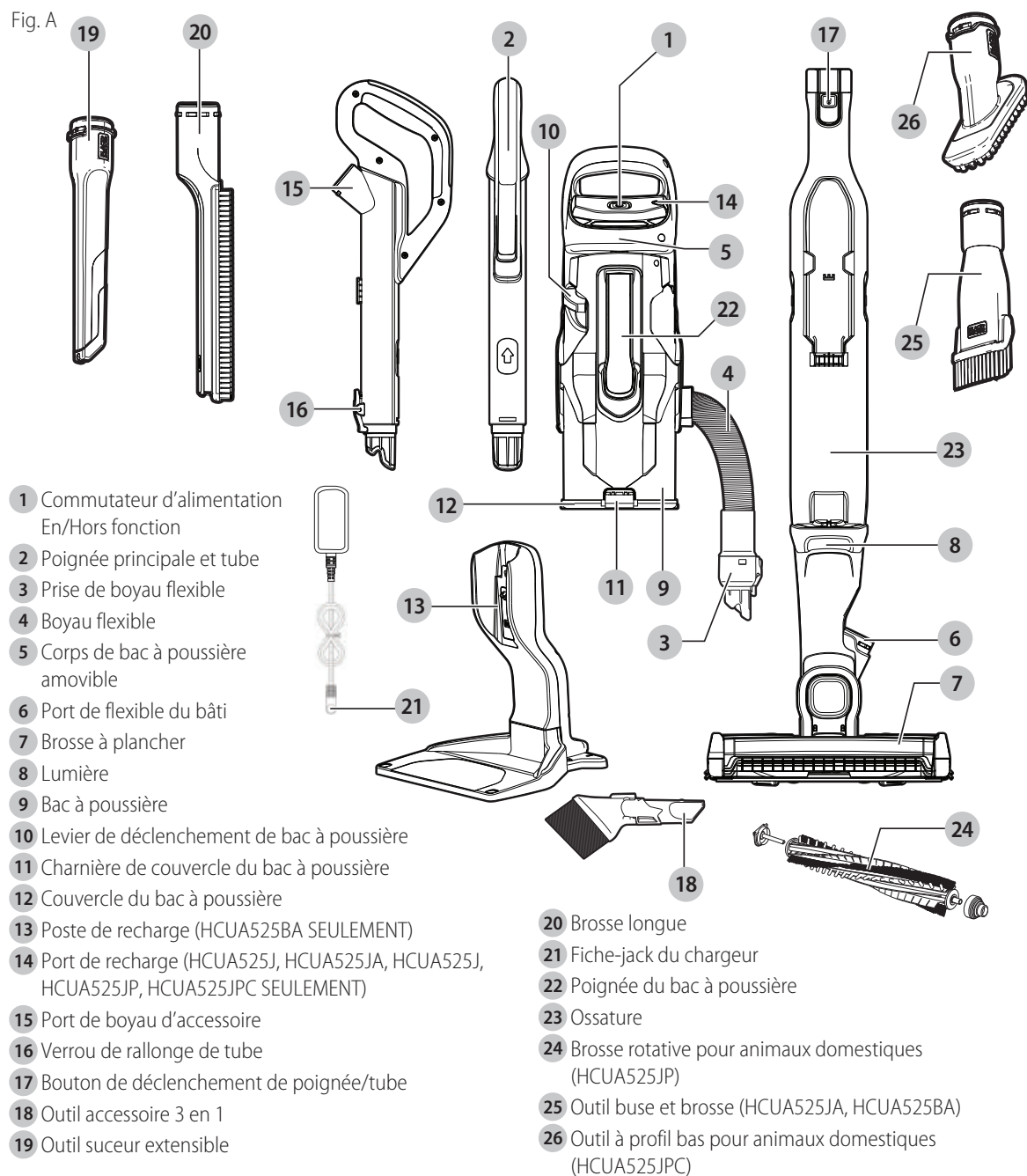
⚠ AVERTISSEMENT : indique une situation potentiellement dangereuse qui, si elle n'est pas évitée, **pourrait entraîner la mort ou des blessures graves.**

⚠ ATTENTION : indique une situation potentiellement dangereuse qui, si elle n'est pas évitée, **pourrait entraîner des blessures légères ou modérées.**

⚠ (Si utilisé sans aucun terme) Indique un message propre à la sécurité.

AVIS : indique une pratique ne posant **aucun risque de dommages corporels** mais qui par contre, si rien n'est fait pour l'éviter, **pourrait poser des risques de dommages matériels.**

Fig. A



⚠ AVERTISSEMENT! *lire tous les avertissements de sécurité et toutes les directives.* Le non-respect des avertissements et des directives pourrait se solder par un choc électrique, un incendie et/ou une blessure grave.

⚠ AVERTISSEMENT : *afin de réduire le risque de blessures, lire le mode d'emploi de l'outil.*

CONSIGNES DE SÉCURITÉ IMPORTANTES

Lors de l'utilisation d'appareils électriques, toujours observer des précautions de base, notamment les suivantes :

LIRE TOUTES LES CONSIGNES AVANT D'UTILISER L'APPAREIL ÉLECTRIQUE.

⚠ AVERTISSEMENT : *lire tous les avertissements de sécurité et toutes les consignes.* Le non-respect des avertissements et des directives ci-dessous peut entraîner des risques de choc électrique, d'incendie ou de blessures graves.

⚠ AVERTISSEMENT : *certaines poussières domestiques contiennent des produits chimiques identifiés par l'État de Californie comme pouvant causer le cancer, des anomalies congénitales et d'autres dangers pour la reproduction, tels que l'amiante et le plomb contenu dans les peintures au plomb.*

⚠ AVERTISSEMENT : *ne pas tenter de modifier ou réparer l'appareil.*

⚠ AVERTISSEMENT : *ne pas charger la batterie à des températures ambiantes inférieures à 4 °C (39 °F) ou supérieures à 40 °C (104 °F). Suivez les instructions de recharge et ne pas recharger l'appareil hors de la plage de températures indiquée dans les instructions. Recharger de façon inappropriée ou hors de la plage de températures indiquée peut endommager le bloc-piles et augmenter le risque d'incendie.*

⚠ AVERTISSEMENT : *afin de réduire le risque d'incendie, de choc électrique ou de blessure :*

- *Danger de choc électrique. Afin de vous protéger contre le danger de choc électrique, ne pas mettre le poste de recharge dans l'eau ou autre liquide.*
- *Ne pas permettre l'utilisation de l'appareil comme jouet. Une étroite surveillance est nécessaire si l'appareil est utilisé par des enfants ou près de ceux-ci.*
- *Utiliser l'appareil uniquement selon les indications données dans le présent manuel. Utiliser uniquement les accessoires recommandés par le fabricant.*
- *Ne pas utiliser l'appareil si sa fiche ou son cordon est endommagé. Si un appareil ne fonctionne pas comme il devrait, s'il est tombé au sol ou dans l'eau, s'il est endommagé ou s'il a été laissé à l'extérieur, l'envoyer à un centre de réparation.*
- *Ne pas tirer sur le cordon, ni transporter l'outil par le cordon, ne pas utiliser le cordon comme poignée, ni fermer une porte dessus, ni tirer le cordon contre des bords tranchants ou des coins. Ne pas passer l'appareil sur le cordon. Tenir le cordon éloigné des surfaces chauffées.*
- *Ne pas débrancher l'appareil en tirant sur son cordon. Pour le débrancher, saisir la fiche et non le cordon.*
- *Ne pas manipuler la fiche si vous avez les mains mouillées.*
- *Ne pas insérer d'objet dans les ouvertures de l'appareil. Ne pas utiliser l'appareil si ses ouvertures sont bouchées; les tenir exemptes de poussière, de peluche, de cheveux et de toute chose pouvant réduire la circulation d'air.*
- *Tenir les cheveux, les vêtements, les doigts et toutes les parties du corps à distance des ouvertures et des pièces mobiles.*
- *Être très prudent lors du nettoyage des escaliers.*
- *Ne pas utiliser cet appareil pour ramasser des liquides inflammables ou des combustibles comme de l'essence et ne pas l'utiliser dans les endroits où ces substances sont présentes.*
- *Ne pas ramasser de matières brûlantes ou fumantes comme des cigarettes, des allumettes ou des cendres chaudes.*
- *Utiliser uniquement l'appareil si le sac à poussière, les filtres ou les deux sont en place.*
- *Ne pas charger l'appareil à l'extérieur.*
- *Utilisez seulement le chargeur fourni par le fabricant pour recharger.*
- *Ne pas brûler l'appareil même s'il est gravement endommagé. Les piles peuvent exploser et causer un incendie.*
- *L'appareil est conçu pour une utilisation domestique seulement et non industrielle ou commerciale.*
- *Ne pas laisser le cordon pendre sur le bord d'une table ou d'un comptoir, ni toucher des surfaces chaudes. L'appareil doit être placé ou fixé loin de tout évier et de toute surface chaude.*
- *Brancher l'appareil directement dans une prise électrique.*
- *Brancher uniquement l'appareil dans une prise électrique d'automobile standard.*
- *Débrancher l'appareil avant tout nettoyage ou entretien de routine.*

FRANÇAIS

- Ne pas regarder dans les événements lorsque l'appareil est en marche, car il arrive parfois que de petits débris s'en échappent, surtout après un nettoyage ou un remplacement de filtre qui aurait tendance à les libérer.
- Sous conditions extrêmes, une fuite des cellules du bloc-piles peut se produire. Si le liquide (qui est une solution de 20 à 35 % d'hydroxyde de potassium) se retrouve sur l'épiderme, (1) laver sans attendre à l'eau et savon et (2) neutraliser avec un produit légèrement acide comme du jus de citron ou du vinaigre. Si de l'électrolyte atteint les yeux, rincer à l'eau courante sur le champ pour une durée minimum de 10 minutes.. Solliciter une attention médicale.

CONSIGNES DE SÉCURITÉ ADDITIONNELLES

- a) **Prévention le démarrage intempestif. S'assurer que le commutateur est en position Arrêt avant de manipuler l'appareil.** Transporter l'appareil avec votre doigt sur l'interrupteur ou mettre sous tension un appareil dont le commutateur de marche est fermé favorise les accidents.
- b) **Le recharger seulement avec le chargeur spécifié par le fabricant.** Un chargeur propre à un type de bloc-piles peut créer des risques d'incendie lorsqu'utilisé avec d'autres blocs-piles.
- c) **Ne pas utiliser un bloc-piles ou un appareil endommagé ou modifié.** Un bloc-piles endommagé ou modifié pourrait se comporter de façon imprévisible et poser des risques d'incendie, d'explosion ou de dommages corporels.
- d) **Ne pas exposer un bloc-piles ou un appareil au feu, ou à des températures excessives.** Toute exposition au feu ou à des températures supérieures à 130 °C (266 °F) pose des risques d'explosion.
- e) **Faire entretenir cet appareil par un réparateur qualifié qui n'utilisera que des pièces de rechange identiques.** Cela permettra d'assurer l'intégrité du produit et la sécurité de l'utilisateur.
- f) Uniquement pour utilisation avec le chargeur S010QU2300040 et SSC-230040US.

Exigences de la EMC pour tous les appareils numériques

Cet appareil est conforme à la Partie 15 des règles de la FCC et aux normes exemptes de licence RSS d'Industrie Canada. Le fonctionnement est assujéti à ces deux conditions :

1. Cet appareil ne doit pas provoquer d'interférences nuisibles et
2. Cet appareil doit accepter les interférences reçues, y compris les interférences susceptibles d'entraîner un fonctionnement indésirable.

Tout changement ou toute modification non expressément approuvé par la partie responsable de la conformité peut entraîner l'annulation du droit accordé à l'utilisateur d'opérer l'appareil.

Cette imprimante a été testée et est conforme aux limites des appareils numériques de classe B, en vertu de la Partie 15 des règles de la FCC. Ces limites sont prévues pour offrir une

protection raisonnable contre le brouillage préjudiciable dans une installation résidentielle. Cet équipement génère, utilise et peut émettre de l'énergie de radiofréquences et, s'il n'est pas installé conformément aux instructions, peut causer du brouillage préjudiciable aux communications radio. Cependant, il n'y a aucune garantie que le brouillage ne se produira pas durant une installation particulière. Si cet équipement cause un brouillage préjudiciable à la réception de la radio ou de la télévision, qui peut être déterminé en allumant et en éteignant l'équipement, nous encourageons l'utilisateur à corriger le brouillage par une des mesures suivantes :

- Réorientez ou déplacez l'antenne de réception.
- Augmentez la distance entre l'équipement et le récepteur.
- Branchez l'équipement dans une prise sur un circuit différent de celui auquel le récepteur est branché.
- Consultez le détaillant ou un technicien en radio/télévision expérimenté pour de l'aide.

CAN ICES-3(B)/NMB-3(B)

CONSERVER CES DIRECTIVES

SYMBOLES

L'étiquette apposée sur votre outil pourrait comprendre les symboles suivants. Les symboles et leurs définitions sont indiqués ci-après :

V.....	volts
A.....	ampères
Hz.....	hertz
W.....	watts
min.....	minutes
~ ou AC.....	courant alternatif
== ou DC.....	courant continu
n _o	sous vide
ⓘ.....	Construction de classe I
⊕.....	borne de mise à la minute (mis à la terre)
Ⓚ.....	Construction de classe II
⚠.....	symbole d'avertissement
.../min.....	tours à la minute
Wh.....	Watt Heures

ASSEMBLAGE

⚠ AVERTISSEMENT : ne pas tenter de modifier ou réparer l'appareil.

Usage Prévu

Votre aspirateur vertical sans fil au lithium-ion 2 dans 1 grande capacité BLACK + DECKER a été conçu pour nettoyage à sec. Cet appareil est conçu pour un usage domestique seulement.

Assemblage (Fig. A, B–D)

1. Aligner la poignée/tube 2 principale à l'ossature 23 comme montré à la Figure B.

2. Pousser la poignée/tube **2** principale dans le bâti **23** comme montré à la Figure B.
3. Ajuster le corps de bac à poussière amovible **5** au bâti **23** de sorte qu'il se verrouille en place comme montré à la Figure C.
4. Ajuster le flexible **4** au port de boyau flexible du bâti **6** comme montré à la Figure D.
5. Pour mettre l'unité debout, incliner le bâti vers l'avant pour qu'il soit à la verticale. La brosse à plancher **7** maintiendra le bâti.

⚠ AVERTISSEMENT : *lorsque non utilisé, placer le dos de l'unité face à un mur de sorte qu'elle ne tombe pas sur un enfant ou un animal domestique.*

Fig. B

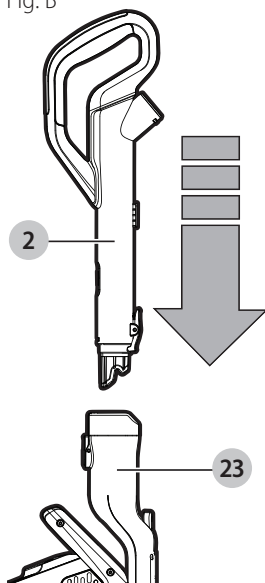


Fig. C

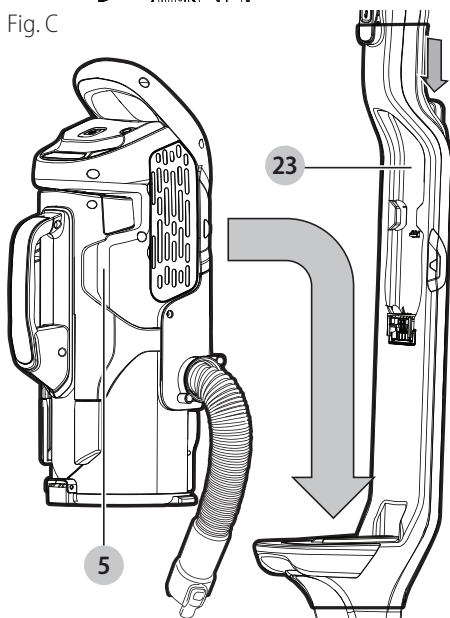
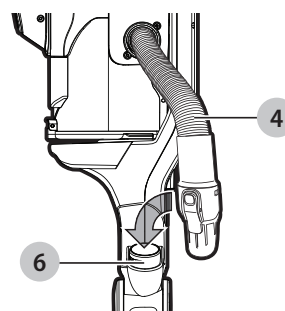


Fig. D



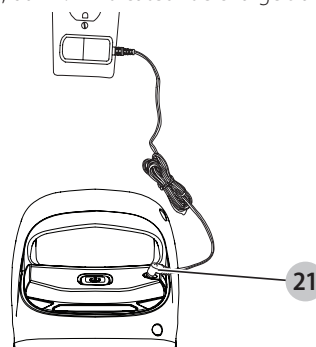
Charge de la batterie (HCUA525J, HCUA525JA, HCUA525J, HCUA525JP)

⚠ AVERTISSEMENT : *à n'utiliser qu'avec le chargeur fourni avec l'appareil.*

Les piles rechargeables neuves de ce dispositif doivent être chargées pendant au moins 6 heures afin d'assurer une puissance maximale.

- L'appareil doit être éteint pour pouvoir charger.
- Figure E - Brancher le connecteur mâle **21** du chargeur dans la prise femelle **14** de l'appareil. Brancher le chargeur dans une prise électrique standard de 120 volts, 60 Hz. L'indicateur de charge s'allume.

Fig. E



- Durant le chargement, le chargeur peut devenir chaud; ceci est tout à fait normal et ne présente aucun danger. Il est sécuritaire de laisser l'appareil branché au chargeur indéfiniment. Le chargeur réduit automatiquement la consommation électrique lorsque la charge est complète.

Modèles de DEL du capteur de bloc-piles

■ ■ ■ ■ ■ ■ ■ ■	Problèmes de bloc-piles (Tout DELs)
■ ■ ■ ■ ■ ■	Problèmes de chargeur (Tout DELs)
■ ■ ■ ■ ■	Bloc-piles chaud (Tout DELs)

⚠ AVERTISSEMENT : *Ne pas charger la batterie à des températures ambiantes inférieures à 4 °C (39 °F) ou supérieures à 40 °C (104 °F). Suivez les instructions de recharge et ne pas recharger l'appareil hors de la plage de températures*

FRANÇAIS

indiquée dans les instructions. Recharger de façon inappropriée ou hors de la plage de températures indiquée peut endommager le bloc-piles et augmenter le risque d'incendie.




Charge de la batterie (HCUA525BA)

! AVERTISSEMENT : pour utilisation avec le chargeur fourni seulement.

- Avant la première utilisation, le bloc-piles doit être chargé pendant au moins 6 heures.
- Lorsque non utilisé, placez l'appareil sur sa base de recharge **13** comme montré à la Figure F.

Brancher le chargeur dans une prise électrique 120 Volts 60 Hz standard. La bande témoin DEL d'indication de recharge clignotera et le nombre des témoins allumés sera en progression. Lorsque la recharge sera complétée, la bande lumineuse s'éteindra.

REMARQUE : Deux vis et goujons muraux sont fournis avec la base de recharge pour la fixer au mur, pour la maintenir plus fermement comme montré à la Figure F.

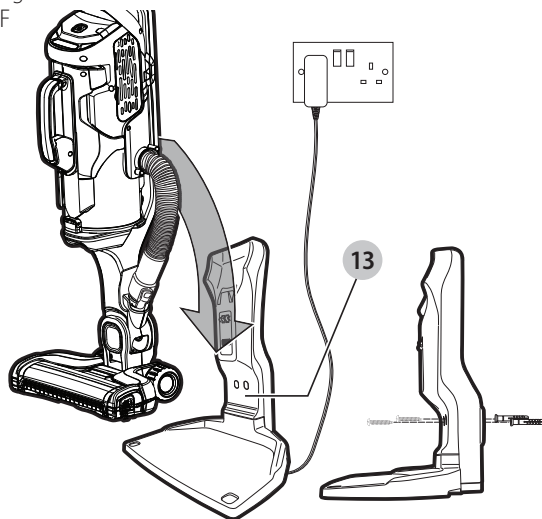
Modèles de DEL du capteur de bloc-piles	
	Problèmes de bloc-piles (Tout DELs)
	Problèmes de chargeur (Tout DELs)
	Bloc-piles chaud (Tout DELs)

! AVERTISSEMENT : avant la recharge, s'assurer de vider le bac à poussière et s'il y a des traces d'humidité ou d'éclaboussures, les essuyer pour éviter tout accident.

- L'appareil doit être éteint pour pouvoir charger.

REMARQUE : Lors de la recharge, le chargeur pourrait devenir chaud. C'est normal et cela n'indique pas un problème. L'appareil peut être laissé raccordé au chargeur indéfiniment.

Fig. F



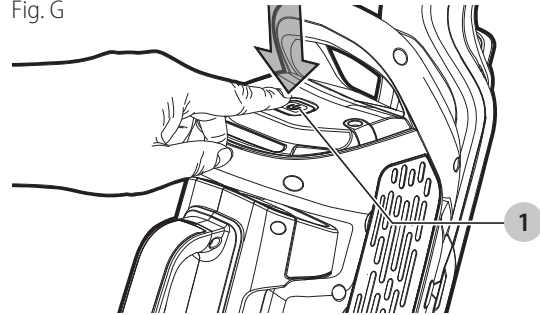
! AVERTISSEMENT : ne pas charger la batterie à des températures ambiantes inférieures à 4 °C (39 °F) ou supérieures à 40 °C (104 °F). Suivez les instructions de recharge et ne pas recharger l'appareil hors de la plage de températures indiquée dans les instructions. Recharger de façon inappropriée ou hors de la plage de températures indiquée peut endommager le bloc-piles et augmenter le risque d'incendie.

UTILISER

Mise en marche et arrêt (Fig. G)

- Pour mettre en MARCHÉ, appuyer sur le bouton on/off **1**. Les témoins DEL d'indication d'état de charge s'allumeront et l'aspirateur se mettra en marche en mode AUTOSENSE.
- **REMARQUE :** L'unité se mettra en marche lorsque le bloc-piles passera au-dessus de 50 % de recharge.
- Pour ARRÊTER l'appareil, appuyer sur le bouton on/off **1**.
- Replacer l'aspirateur dans son chargeur immédiatement après le travail pour qu'il soit prêt pour la prochaine utilisation. S'assurer que le chargeur est bien branché dans l'appareil ou que ses bornes font bien contact avec les bornes de sa base de recharge.




Fig. G



Indicateur d'état de charge

Le présent appareil comprend un indicateur d'état de charge de son bloc-piles comprenant trois témoins DEL blancs indiquant son niveau de charge. Cette fonction s'active seulement lorsque le commutateur d'alimentation est en position de marche.

L'indicateur d'état de charge est une indication du niveau approximatif de charge restant dans le bloc-piles selon les indicateurs suivants :

	Chargé de 75 à 100 %
	Chargé de 51 à 74 %
	Chargé de < 50 %

Les DEL de l'indicateur d'état de charge du bloc-piles affichent la charge résiduelle et vous avertissent d'un faible niveau de charge. La dernière DEL se mettra à clignoter une minute avant un niveau de décharge causant l'arrêt

de l'aspirateur. À ce moment toutes les DEL se mettront en clignotement.

REMARQUE : L'indicateur d'état de charge est seulement une indication du niveau de charge restant dans le bloc-piles. Il n'indique pas la fonctionnalité de l'appareil et peut varier selon les accessoires utilisés, la température et l'utilisation faite de l'appareil.

AUTOSENSE (Fig. H)

L'appareil est muni d'un dispositif de unique détection de type de plancher. Il commutera entre les modes de succion bas et élevé selon la surface détectée.

- Par défaut, l'appareil se mettra en détection AUTOSENSE à sa mise en MARCHÉ.
- Pour désactiver cette fonction, appuyez sur le bouton AUTOSENSE **35** alors que l'aspirateur sera en MARCHÉ.

Les attributs intégrés sont :



Bouton à effleurement DÉTECTEUR DE TYPE DE PLANCHER

La technologie de détection de type de plancher intelligente augmente la succion sur les tapis et commute en mode économique pour les tâches plus légères comme le nettoyage de couvre-planchers lisses et durs pour prolonger la durée d'utilisation du bloc-piles. Cet attribut est actif lorsque son témoin DEL est allumé. Pour désactiver cette fonction pour demeurer en Mode D'économie et prolonger la durée d'utilisation du bloc-piles, désactivez-la en touchant l'aire tactile.



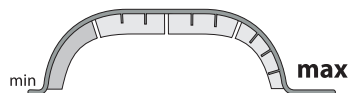
Bouton de contrôle de puissance à glissière

Le tableau à bouton tactile sur l'unité vous permet de contrôler la puissance d'aspiration du minimum au maximum en glissant un doigt sur cette surface.



Bouton tactile de la brosse rotative

Vous permet de mettre en marche et d'arrêter la brosse rotative en touchant cette icône.



Indicateur de puissance

Vous permet de surveiller la puissance utilisée.



Indicateur de CHARGE DU BLOC-PILES

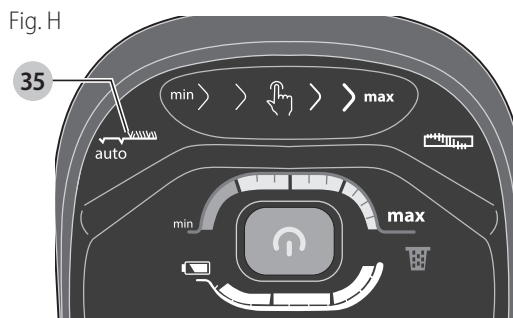
Les DEL de l'indicateur d'état de charge du bloc-piles affichent la charge résiduelle et vous avertissent d'un faible niveau de charge. La dernière DEL se mettra à clignoter une minute avant d'un niveau de décharge causant l'arrêt de l'aspirateur. À ce moment toutes les DEL se mettront en clignotement.



DÉTECTEUR DE FILTRE

La technologie de capteur intelligent détecte automatiquement la condition de filtre obstrué devant être nettoyé (l'icône s'allumera en rouge).

Fig. H

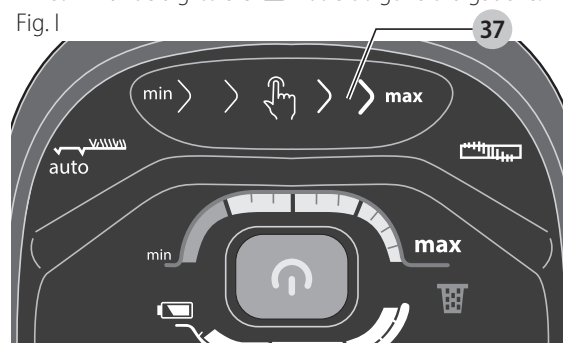


Force de succion ajustable (Fig. I)

L'appareil possède une commande à glissière **37** de réglage de la force de succion. La succion peut être ajustée à un niveau plus bas pour prolonger la durée du bloc-piles ou à un niveau plus élevé pour aspirer les plus gros débris.

- Pour augmenter la succion, glissez votre doigt sur la commande à glissière **37** vers la droite comme montré à la figure I et la DEL correspondante de l'indicateur de puissance min./max. s'allumera.
- Pour réduire la succion, glissez votre doigt sur la commande à glissière **37** votre doigt vers la gauche.

Fig. I



Brosse rotative et DEL (Fig. J, Z)

- Pour activer la brosse rotative **39** (Fig. Z) à l'intérieur de la brosse à plancher **7**, tapez sur l'icône de brosse rotative **38** comme montré à la Figure J. Lors de son

FRANÇAIS

fonctionnement, le phare de travail s'allumera pour mieux voir l'aire à nettoyer.

- Pour désactiver la brosse **39**, tapez sur l'icône de brosse rotative **38**.

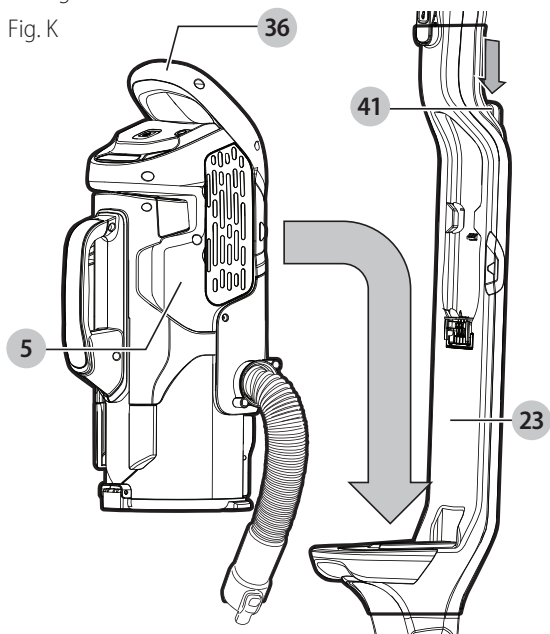
Fig. J



Déposer et reposer le corps de bac à poussière (Fig. K, L)

- **Pour déposer le corps du bac à poussière du bâti**, appuyez sur le bouton de désengagement **41** du corps **5** du bâti **23**, agrippez la poignée d'inclinaison **36** et soulevez le corps du bac à poussière **5** comme montré à la Figure K.
- Désengagez le connecteur du flexible **3** du port de boyau flexible du bâti **6** comme montré à la Figure L.
- **Pour reposer le corps du bac à poussière dans le bâti**, agrippez la poignée du corps **36** et le glissez vers le bas pour enclencher ses verrous comme montré à la Figure K.
- Raccordez à nouveau le connecteur du flexible **3** au port de boyau flexible **6** du bâti comme montré à la Figure L.

Fig. K

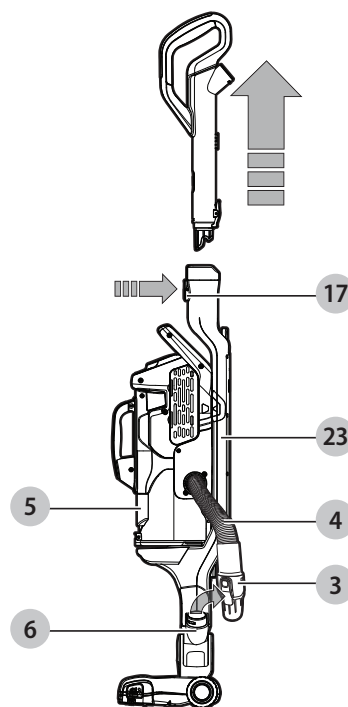


Utilisation de l'outil accessoire (Fig. L-0)

- Appuyer sur le bouton de désengagement **17** de la poignée/tube principale pour la libérer du bâti **23**.

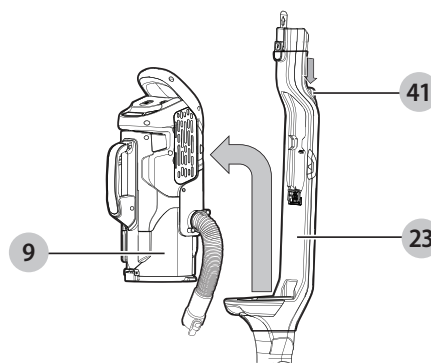
- Sortir le connecteur du flexible **3** du port de boyau flexible **6** du corps principal comme montré à la Figure L.

Fig. L



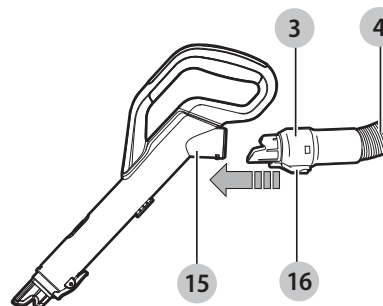
- Actionner le bouton de désengagement **41** du corps du bac à poussière **5** pour le déposer du bâti **23** comme montré à la Figure M.

Fig. M



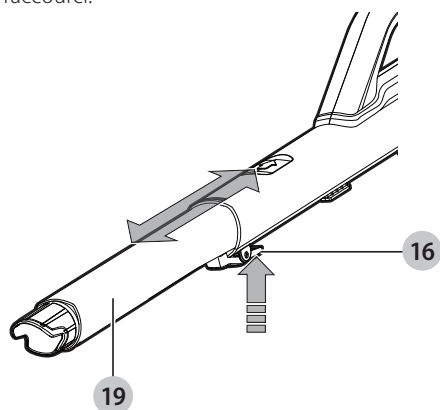
- Raccorder le connecteur du flexible **3** au port de l'outil accessoire **15** en s'assurant que le verrou **16** s'enclenche comme montré à la Figure N.

Fig. N



- Rallonger l'outil suceur **19** jusqu'à son enclenchement de verrouillage en place comme montré à la Figure O.
- Pour rétracter l'outil suceur **19**, appuyez sur son bouton de désengagement **16** pour lui permettre d'être raccourci.

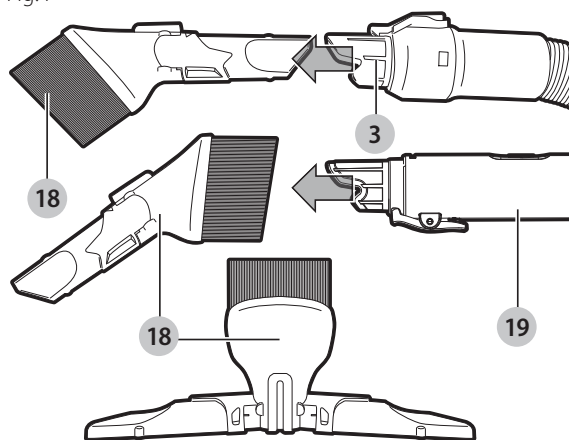
Fig. O



Utilisation de l'outil accessoire 3 dans 1 (Fig. P)

- L'outil accessoire 3 dans 1 **18** a trois configurations.
 - Mode brosse.
 - Mode petit suceur.
 - Mode ameublement rembourré.
- L'outil accessoire 3 dans 1 peut soit être monté directement sur le connecteur du boyau **3** ou sur l'outil suceur extensible **19** comme montré à la Figure P.

Fig. P



Vidange et nettoyage de l'aspirateur

⚠ AVERTISSEMENT : *Danger de projectiles/Danger pour les voies respiratoires : Ne jamais utiliser l'appareil sans filtre.*

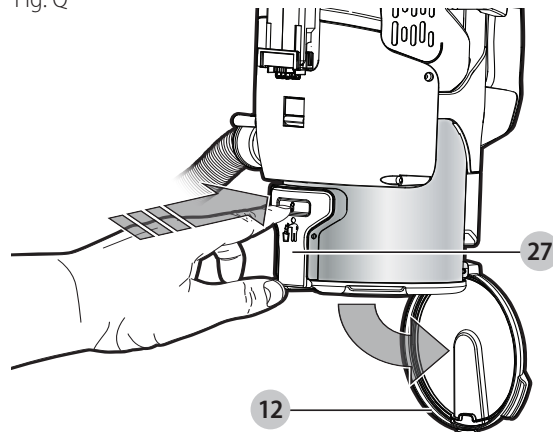
REMARQUE : Le filtre est réutilisable (ne pas confondre avec un sac à poussière jetable). Ne pas le jeter en vidant l'appareil. Il est recommandé de remplacer le filtre tous les 6-9 mois selon la fréquence d'utilisation.

Il existe deux méthodes de nettoyage du réservoir, à savoir une méthode de vidage rapide et une méthode de nettoyage en profondeur.

Pour vider le bac à poussière (Fig. L, M, Q, R)

- Actionner le bouton de désengagement **41** du bac à poussière pour pouvoir déposer le corps du bac **5** du bâti **23** comme montré à la Figure M.
- Sortir le connecteur du flexible **3** du port de boyau flexible **6** du corps principal comme montré à la Figure L.

Fig. Q



- Placer le bac à poussière au-dessus d'une poubelle et appuyer sur le bouton de désengagement **27** du couvercle du bac pour le vider comme montré à la Figure Q.
- Pousser la poignée de compactage **22** vers le bas pour vidanger le contenu du bac **9** comme montré à la Figure R.

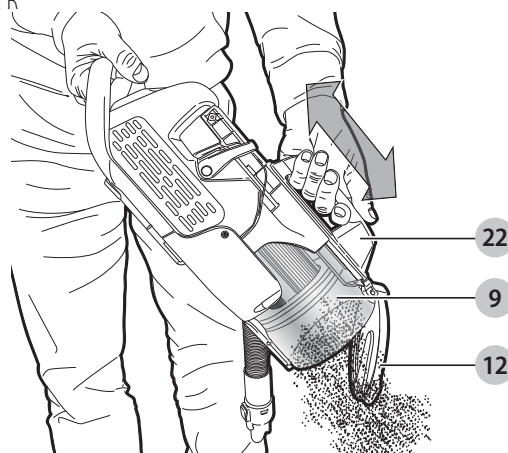
REMARQUE : La poignée de compactage de poussière **22** sert aussi à doubler la capacité du bac **9**.

- Refermer le couvercle **12** du bac à poussière en l'enclenchant en position fermée.

Compactage du contenu du bac à poussière (Fig. R)

Le couvercle **12** du bac à poussière **9** étant fermé, poussez la poignée de compactage **22** vers le bas pour comprimer son contenu comme montré à la Figure R, augmentant ainsi sa capacité.

Fig. R



Désengagement du bac à poussière (Fig. R-T)

REMARQUE : Le bac à poussière peut être retiré alors que le corps du bac est monté sur le bâti comme montré à la figure S ou lorsque le corps est déposé du bâti comme montré à la Figure T.

- Appuyer vers le bas sur le levier de désengagement **10** du bac pour le dégager.
- Tirer sur la poignée du bac **9** pour le sortir du corps **5**.

REMARQUE : Le contact **34** empêchera le fonctionnement de l'unité lorsque son bac à poussière **9** est sorti du corps **5** ou lorsque la poignée de compactage **22** est déplacée.

- À l'aide de la poignée **35** pour tenir le bac à poussière au-dessus d'une poubelle, actionner le bouton de désengagement **27** pour ouvrir le couvercle **12** du bac et pousser la poignée de compactage **22** pour vidanger le contenu du bac à poussière **9** comme montré à la Figure R.

Fig. S

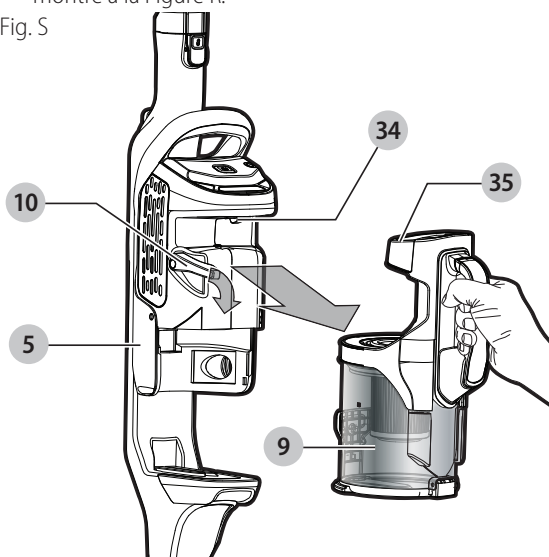
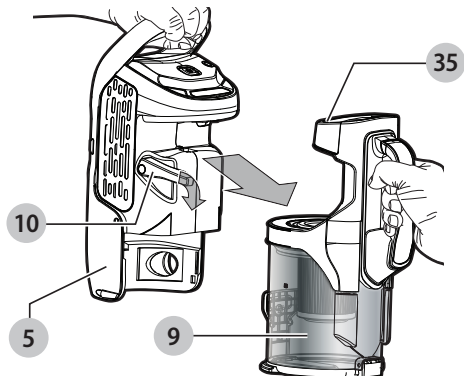


Fig. T



REMARQUE : Un disque odorant est fourni dans un emballage métallisé. Le sac devra être ouvert et le disque placé au fond du pré-filtre pour laisser une agréable odeur se répandre lors de l'utilisation de l'appareil.

- Le filtre **29** peut alors être déposé du pré-filtre **30** comme montré à la Figure V.
- Pour un nettoyage plus en profondeur, le bac à poussière peut être séparé en deux parties, **9** et **40** comme montré à la Figure W.
- Secouer ou brosser légèrement toute poussière hors du filtre.
- Laver le bac à poussière dans une eau tiède savonneuse et rincer à l'eau courante.
- Laver les filtres dans une eau tiède savonneuse (Fig. X).
- Attendre que les filtres soient bien asséchés.
- Remettre les filtres dans le bac.
- Refermer le couvercle du bac à poussière en l'enclenchant en position fermée.

Fig. U

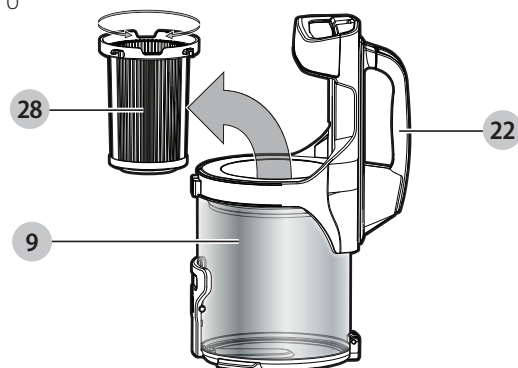
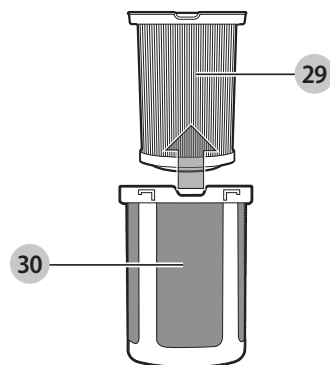


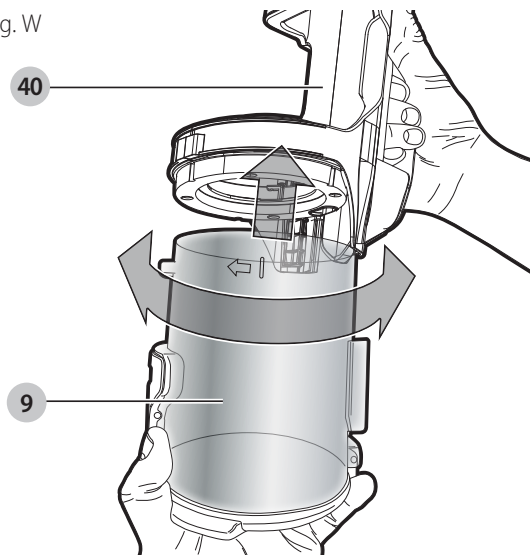
Fig. V



Nettoyage des filtres (Fig. S-X)

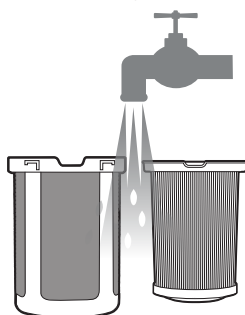
- Appuyer vers le bas sur le levier de désengagement **10** du bac à poussière pour le dégager comme montré à la Figure S.
- En tenant la poignée de compactage **22**, soulever l'ensemble filtre **28** du bac à poussière **9** en le pivotant en sens antihoraire comme montré à la Figure U.

Fig. W



- Le bac à poussière **9** et le filtre peuvent être lavés dans de l'eau tiède et savonneuse. Laisser sécher complètement avant de replacer dans le bac.

Fig. X



- Remettre les filtres dans le bac en s'assurant qu'ils reposent bien sur leurs assises.
- Pour remettre le bac à poussière en place, le pousser dans le corps de l'unité jusqu'à ce qu'il s'enclenche en position.

IMPORTANT : La succion maximale ne sera obtenue qu'avec un filtre propre et un bac à poussière vide. Si la poussière commence à s'échapper de l'unité après qu'elle est arrêtée, ceci indique que le bac à poussière est plein et qu'il doit être vidé.

- Laver les filtres régulièrement à l'eau tiède savonneuse et s'assurer qu'ils sont complètement secs avant de les utiliser à nouveau. Plus le filtre sera propre, meilleure sera la performance de l'aspirateur.
- Il est très important que le filtre soit installé correctement avant d'utiliser l'appareil.

Dépose et nettoyage des brosses rotatives (Fig. Y, Z)

⚠ ATTENTION : *pour réduire le risque de blessures causées par les pièces en mouvement, sortir le corps de bac à poussière de l'appareil avant tout nettoyage ou entretien.*

- Pour déposer l'ensemble de brosses rotatives **32** de la brosse à plancher **7**, appuyez sur le bouton de désengagement **33** comme montré à la Figure Y.

L'assemblage de brosses rotatives s'éjectera de son emplacement.

- Les brosses rotatives **39** peuvent alors être déposées. Les pièces d'extrémité sont également amovibles, vous permettant de dégager les longs cheveux ou autres débris que se seraient accumulés comme montré à la Figure Z.

Fig. Y

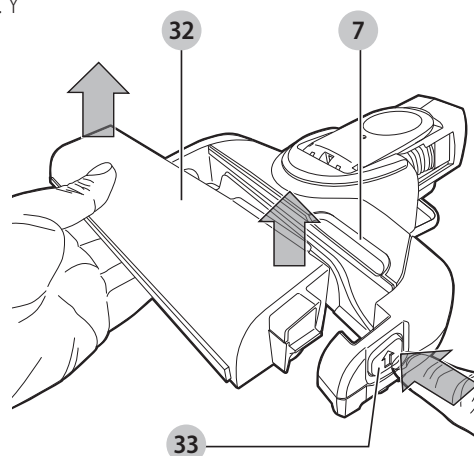
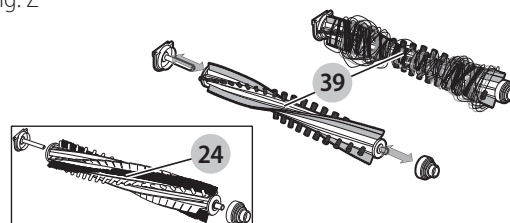


Fig. Z



Remplacement des filtres

Les filtres doivent être remplacés tous les 6–9 mois et chaque fois qu'ils sont usés ou endommagés. Des filtres de rechange sont offerts auprès du détaillant BLACK+DECKER local.

- Retirer les anciens filtres selon les indications in **Nettoyage des filtres**.
- Installer les filtres neufs selon les indications in **Nettoyage des filtres**.

(N° de cat. : VSPF10LC)

Ceux-ci s'ajustent à tous les modèles. À la fin de leur vie, ces filtres doivent être disposés dans votre centre de recyclage local.

Les filtres sont livrés dans un emballage à feuillard métallique qui doit être retiré avant leur utilisation.

Filtre parfumé

AVANT TOUTE PREMIÈRE UTILISATION, retirer le sac du pré-filtre parfumé. Réassembler l'ensemble en suivant les instructions ci-dessus. Lorsque l'aspirateur est en marche, le filtre parfumé en plastique diffusera un arôme pour rafraîchir l'air.

⚠ AVERTISSEMENT :

- Peut causer une irritation cutanée mineure
- toxique pour la vie aquatique

FRANÇAIS

- *Nocif pour la vie aquatique avec des effets à long terme.*
- *Jeter contenu/contenant dans les sites agréés d'élimination des déchets.*

REMARQUE : lorsque le filtre parfumé en plastique ne diffusera plus son arôme, cela pourra indiquer que le filtre doit être remplacé.

ENTRETIEN

N'utiliser qu'un détergent doux et un chiffon humide pour nettoyer l'aspirateur. Ne jamais laisser de liquide pénétrer dans l'aspirateur et n'immerger aucune partie de l'aspirateur dans un liquide.

⚠ AVERTISSEMENT : *s'assurer que l'aspirateur est complètement sec avant de l'utiliser.*

IMPORTANT : Pour garantir la SÉCURITÉ et la FIABILITÉ du produit, les réparations, l'entretien et le réglage (autre que ceux énumérés dans ce manuel) doivent être réalisés par un centre de réparation agréé ou tout autre centre de réparation professionnel, et des pièces de rechange identiques doivent être utilisées.

DÉPANNAGE

Si le produit ne fonctionne pas, vérifier les éléments suivants :

- Le chargeur était correctement branché lors de la charge (il est légèrement chaud au toucher).
- Le cordon d'alimentation du chargeur n'est pas endommagé et il est bien fixé.
- Le chargeur est branché dans une prise électrique qui fonctionne.
- L'interrupteur est en position « Arrêt » lorsqu'il est en charge.

Pour de l'aide avec l'outil, consulter notre site Web www.blackanddecker.com pour l'emplacement du centre de réparation le plus près ou communiquer avec l'assistance BLACK+DECKER au **1-800-544-6986**.

ACCESSOIRES

Les accessoires recommandés pouvant être utilisés avec l'appareil sont disponibles auprès du détaillant local ou du centre de réparation autorisé. Pour obtenir de l'aide concernant les accessoires, composer le : **1 800 544-6986**.

⚠ AVERTISSEMENT : *l'utilisation de tout accessoire non recommandé avec cet appareil pourrait s'avérer dangereuse.*

INFORMATION SUR LES RÉPARATIONS

Tous les centres de réparation BLACK+DECKER sont dotés de personnel qualifié en matière d'outillage électrique; ils sont donc en mesure d'offrir à leur clientèle un service efficace et fiable. Que ce soit pour un avis technique, une réparation ou des pièces de rechange authentiques installées en usine, communiquer avec l'établissement BLACK+DECKER le plus près de chez vous. Pour trouver

l'établissement de réparation de votre région, composer le numéro suivant : **1 800 544-6986** ou consulter le site www.blackanddecker.com

GARANTIE LIMITÉE DE DEUX ANS

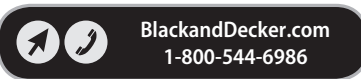
Black & Decker (É.-U.) Inc. garantit que le produit est exempt de défauts de matériau et de fabrication pendant deux(2) ans à partir de la date d'achat, à condition que le produit soit utilisé en milieu domestique. La présente garantie limitée ne couvre pas les défaillances provoquées par un abus, un dommage accidentel ou des réparations ou tentatives de réparations effectuées par toute autre personne que le personnel de BLACK+DECKER et de ses centres de réparation agréés. Un produit défectueux qui remplit les conditions stipulées par la présente garantie sera remplacé ou réparé sans frais d'une des deux façons suivantes :

La première façon consiste en un échange chez le détaillant où le produit a été acheté (à la condition que le magasin soit un détaillant participant). Tout retour doit se faire durant la période correspondant à la politique d'échange du détaillant. Une preuve d'achat peut être requise. Prière de vérifier la politique de retour du détaillant au sujet des délais impartis pour les retours ou les échanges.

La deuxième option est d'apporter ou d'envoyer le produit (en port payé) à un centre de réparation agréé ou à un centre de réparation BLACK+DECKER pour faire réparer ou échanger le produit, à la discrétion de BLACK+DECKER. Une preuve d'achat peut être requise. Les centres de réparation de BLACK+DECKER et les centres de réparation ou en ligne sur www.blackanddecker.com.

Cette garantie ne s'applique pas aux accessoires. Cette garantie accorde des droits légaux propres au propriétaire de l'outil. Ce dernier pourrait avoir d'autres droits selon l'État ou la province qu'il habite. Pour toute question, communiquer avec le directeur du centre de réparation BLACK+DECKER le plus près. Ce produit n'est pas destiné à un usage commercial. L'usage commercial de ce produit annule par conséquent cette garantie. Toutes autres garanties, expresses ou implicites, sont déclinées par la présente.

Importé par Black & Decker (U.S.) Inc.,
701 E. Joppa Rd.
Towson, MD 21286



Definiciones: Símbolos y palabras de alerta de seguridad

Este manual de instrucciones utiliza los siguientes símbolos y palabras de alerta de seguridad para alertarle de situaciones peligrosas y del riesgo de lesiones corporales o daños materiales.

⚠ PELIGRO: Indica una situación de peligro inminente que, si no se evita, provocará **la muerte o lesiones graves**.

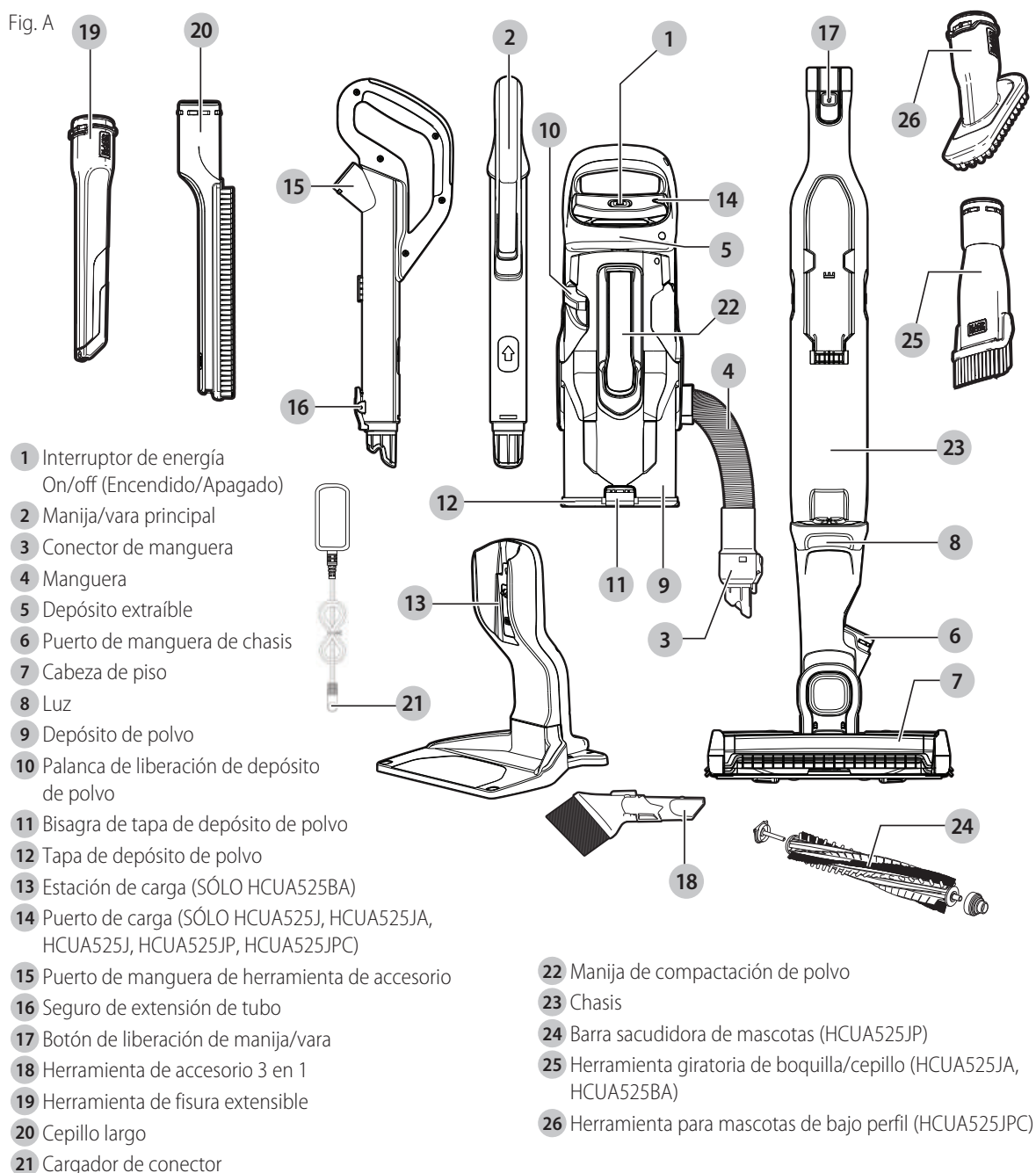
⚠ ADVERTENCIA: Indica una situación de peligro potencial que, si no se evita, **podría provocar la muerte o lesiones graves**.

⚠ ATENCIÓN: Indica una situación de peligro potencial que, si no se evita, **posiblemente provocaría lesiones leves o moderadas**.

⚠ (Utilizado sin palabras) indica un mensaje de seguridad relacionado.

AVISO: Se refiere a una práctica **no relacionada a lesiones corporales** que de no evitarse **puede resultar en daños a la propiedad**.

Fig. A



⚠ ¡ADVERTENCIA! *Lea todas las advertencias de seguridad e instrucciones. El incumplimiento de las advertencias e instrucciones puede provocar descargas eléctricas, incendios o lesiones graves.*

⚠ ADVERTENCIA: *Para reducir el riesgo de lesiones, lea el manual de instrucciones.*

INSTRUCCIONES DE SEGURIDAD IMPORTANTES

Al utilizar aparatos eléctricos, siempre deben seguirse algunas precauciones básicas, entre las que se incluyen:

LEA TODAS LAS INSTRUCCIONES ANTES DE UTILIZAR ESTE APARATO.

⚠ ADVERTENCIA: *lea todas las advertencias de seguridad y todas las instrucciones. El incumplimiento de cualquiera de las advertencias e instrucciones indicadas a continuación puede provocar una descarga eléctrica, un incendio y/o lesiones graves.*

⚠ ADVERTENCIA: *Algunos tipos de polvo doméstico contienen sustancias químicas, como el asbesto y el plomo de las pinturas a base plomo, reconocidas por el Estado de California como causantes de cáncer, defectos de nacimiento u otros problemas reproductivos.*

⚠ ADVERTENCIA: *No intente modificar o reparar el aparato.*

⚠ ADVERTENCIA: *No cargue la batería a temperaturas ambientales inferiores 4 °C (39 °F) o superiores a 40 °C (104 °F). Siga todas las instrucciones de carga y no cargue el aparato fuera del rango de temperatura especificado en las instrucciones. Cargar inadecuadamente o en una temperatura fuera del rango especificado puede dañar la batería e incrementar el riesgo de incendio.*

⚠ ADVERTENCIA: *Para reducir el riesgo de incendios, descarga eléctrica, o lesiones:*

- *Riesgo de descarga eléctrica. Para protegerse contra riesgo de descarga eléctrica, no coloque la base de carga en agua u otro líquido*

- *No permita que se utilice como juguete. Debe prestar especial atención cuando los niños la utilicen o al utilizarla cerca de ellos.*
- *Utilícela únicamente como se describe en este manual. Utilice únicamente aditamentos recomendados por el fabricante.*
- *No utilice la unidad con el cable o el enchufe dañados. Si el aparato no funciona como corresponde, se ha caído, dañado, dejado al aire libre o sumergido en agua, devuélvalo a un centro de mantenimiento.*
- *No arrastre ni transporte la unidad por el cable, no utilice el cable como un mango, no cierre una puerta sobre el cable ni tire de este cerca de bordes o esquinas filosas. No pase sobre el cable con el aparato funcionando. Mantenga el cable alejado de superficies calientes.*
- *No desenchufe la unidad tirando del cable. Para desenchufarla, sujete el enchufe, no el cable.*
- *No manipule el enchufe con las manos mojadas.*
- *No inserte ningún objeto en los orificios de la unidad. No la utilice si alguno de los orificios está bloqueado, manténgala libre de polvo, pelusas, pelos y cualquier cosa que pueda reducir el flujo de aire.*
- *Mantenga el cabello, las ropas holgadas, los dedos y todas las partes del cuerpo alejados de los orificios y de las piezas en movimiento.*
- *Tenga mucho cuidado al limpiar en escaleras.*
- *No utilice la unidad para recoger líquidos inflamables o combustibles, como gasolina, ni la utilice en áreas en las que estas sustancias puedan estar presentes.*
- *No recoja ninguna cosa que esté quemándose o humeante, como cigarrillos, fósforos o cenizas calientes.*
- *No utilice la unidad sin la bolsa para polvo y/o los filtros en su lugar.*
- *No cargue la unidad en exteriores.*
- *Sólo use el cargador incluido por el fabricante para recargar.*
- *No incinere el aparato incluso si está severamente dañado. Las baterías pueden explotar en el fuego.*
- *Este aparato está diseñado para uso doméstico solamente y no para uso comercial o industrial.*
- *No permita que el cable cuelgue sobre el borde de una mesa o mostrador, o toque superficies calientes. La unidad debe colocarse o montarse lejos de fregaderos y superficies calientes.*
- *Enchufe la unidad directamente en un tomacorriente.*
- *Enchufe la unidad solo en un tomacorriente estándar de automóvil.*
- *Desenchufe la unidad del tomacorriente antes de realizar una limpieza o mantenimiento de rutina.*
- *No mire por los orificios de ventilación mientras la unidad esté encendida, ya que a veces existe la posibilidad de que pequeños residuos salgan disparados por dichos orificios, especialmente después de limpiar/reemplazar los filtros, ya que los residuos dentro de la unidad pueden desplazarse.*

- Pueden ocurrir fugas de las celdas de la batería bajo condiciones extremas. Si el líquido, que es una solución de 20-35% de hidróxido de potasio, tiene contacto con la piel (1) lave rápidamente con agua y jabón o (2) neutralice con un ácido suave tal como jugo de limón o vinagre. Si el líquido entra en los ojos, lávelos de inmediato con agua limpia por un mínimo de 10 minutos. Busque atención médica

ADVERTENCIAS DE SEGURIDAD ADICIONALES

- Evite el arranque no intencional. Asegure que el interruptor esté en la posición apagada antes de recoger o transportar el aparato.** Transportar el aparato con su dedo en el interruptor o energizar el aparato que tenga el interruptor encendido puede provocar accidentes
- Recárguese sólo con el cargador especificado por el fabricante.** Un cargador que sea adecuado para un tipo de batería puede ocasionar un riesgo de incendio si se utiliza con otra batería.
- No utilice una batería o aparato que esté dañado o modificado.** Las baterías dañadas o modificadas pueden funcionar de forma imprevisible y ocasionar un incendio, explosión o riesgo de lesión.
- No exponga una batería o aparato al fuego ni a una temperatura excesiva.** La exposición al fuego o a una temperatura superior a los 130°C (266°F) puede ocasionar una explosión.
- La reparación debe realizarse por una persona calificada para realizar reparaciones que use solamente repuestos idénticos.** Así se asegurará que se mantenga la seguridad del producto.
- Solo para su uso con el cargador S010QU2300040 y SSC-230040US.

Requerimientos EMC para todos los dispositivos digitales

Este dispositivo cumple con la Parte 15 de las Reglas FCC y las normas RSS exentas de Licencia de la Industria de Canadá. La operación está sujeta a las siguientes dos condiciones:

1. Este dispositivo no puede causar interferencia dañina, y
2. Este dispositivo debe aceptar cualquier interferencia recibida, incluyendo interferencia que puede causar operación indeseada.

Los cambios o modificaciones no aprobados expresamente por la parte responsable por el cumplimiento podrían anular la autoridad del usuario para operar el equipo.

Este equipo se probó y se encontró que cumple con los límites para un dispositivo digital Clase B, en conformidad con la Parte 15 de las Reglas FCC. Estos límites están diseñados para proporcionar protección razonable contra interferencia dañina en una instalación residencial. Este equipo genera, usa, y puede transmitir energía de radio frecuencia y, si no se instala y usa de acuerdo con las instrucciones, puede causar interferencia dañina a las comunicaciones de radio. Sin embargo, no existe garantía que no ocurra la interferencia en una instalación particular. Si este equipo causa interferencia dañina a la recepción de radio o televisión, que se puede

determinar al apagar o encender el equipo, se alienta al usuario que intente corregir la interferencia por medio de una de las siguientes medidas:

- Reoriente o reubique la antena de recepción.
- Incremente la separación entre el equipo y el receptor.
- Conecte el equipo en un tomacorriente en un circuito diferente al que esté conectado el receptor.
- Consulte al distribuidor o un técnico de radio/TV experimentado respecto a ayuda.

CAN ICES-3(B)/NMB-3(B)

CONSERVE ESTE MANUAL

SÍMBOLOS

La etiqueta de su herramienta puede incluir los siguientes símbolos. Los símbolos y sus definiciones son los siguientes:

V.....	voltios
A.....	amperios
Hz.....	hertz
W.....	vatios
min.....	minutos
~ o AC.....	corriente alterna
— o DC.....	corriente directa
n _o	no velocidad sin carga
⚠.....	Construcción Clase I
⊕.....	terminal a tierra
⊕.....	(mis à la terre)
⊞.....	Construcción de clase II
⚠.....	símbolo de alerta
.../min.....	revoluciones o minuto seguridad
Wh.....	Watt Horas

ENSAMBLAJE

⚠ ADVERTENCIA: No intente modificar o reparar el aparato.

Uso Debido

Su aspiradora de bastón de depósito 2 en 1 inalámbrica de ion de litio BLACK+DECKER se diseñó para propósitos de aspirado en seco ligero. Este aparato está diseñado para uso doméstico únicamente.

Ensamble (Fig. A, B–D)

1. Alinee la manija/vara principal **2** al chasis **23** como se muestra en la Figura B.
2. Empuje la manija/vara principal **2** dentro del chasis **23** como se muestra en la Figura B.
3. Coloque el depósito extraíble **5** al chasis **23** de forma que se asegure en su lugar como se muestra en la Figura C.
4. Coloque la manguera **4** al puerto de manguera del chasis **6** como se muestra en la Figura D.
5. Para parar la unidad verticalmente, coloque en ángulo el chasis hacia el frente de forma que se pare de forma recta. La cabeza de piso **7** sostendrá el chasis en su lugar.

! ADVERTENCIA: Cuando no esté en uso, coloque la unidad vertical con la parte trasera del chasis viendo a una pared de forma que cualquier caída inadvertida de la unidad haga contacto con la pared y no con personas o mascotas

Fig. B

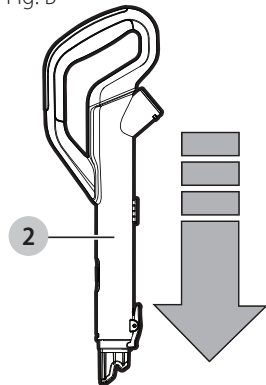


Fig. C

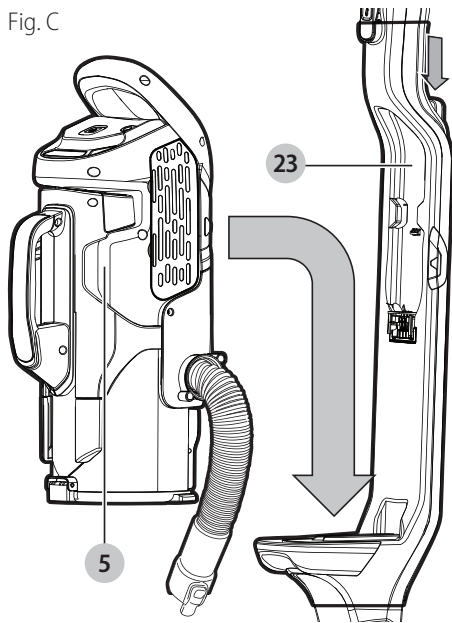
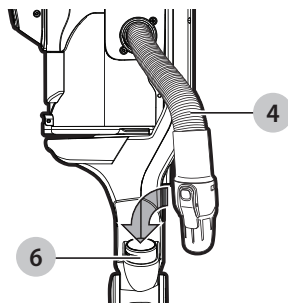


Fig. D



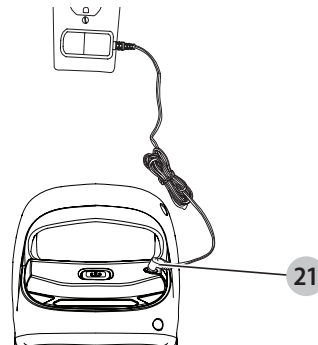
Carga de la batería (HCUA525J, HCUA525JA, HCUA525J, HCUA525JP)

! ADVERTENCIA: Para ser utilizado únicamente con el cargador suministrado.

Cuando nuevas, las celdas recargables del producto necesitan un tiempo mínimo de carga de 6 horas para asegurar la potencia completa.

- La unidad debe estar apagada para cargar.
- Figura E - Inserte la clavija **21** del cargador en el enchufe de carga **14** de la herramienta. Enchufe el cargador en cualquier tomacorriente estándar de 120 voltios, 60 Hz. El indicador de carga se encenderá.

Fig. E



- Durante la carga, el cargador puede calentarse; esto es perfectamente normal y seguro. Es seguro dejar el aparato conectado al cargador indefinidamente. El cargador reduce automáticamente el consumo de energía cuando la carga está completa.

Patrones del LED del sensor de la batería

	Fallo de la batería (Todas LEDs)
	Fallo de carga (Todas LEDs)
	Battery Hot (Todas LEDs)

! ADVERTENCIA: No cargue la batería a temperaturas ambientales inferiores 4 °C (39 °F) o superiores a 40 °C (104 °F). Siga todas las instrucciones de carga y no cargue el aparato fuera del rango de temperatura especificado en las instrucciones. Cargar inadecuadamente o en una temperatura fuera del rango especificado puede dañar la batería e incrementar el riesgo de incendio.

Carga de la batería (HCUA525BA)

! ADVERTENCIA: Sólo para uso con el cargador incluido.

- Antes del primer uso, la batería se debe cargar por lo menos 6 horas.
- Coloque el aparato en la base de carga **13** siempre que no esté en uso como se muestra en la Figura F.

Conecte el cargador en cualquier tomacorriente de 120 Volts 60 Hz estándar. El indicador de carga LED parpadeará y se incrementará en secciones. Los LEDs se apagarán cuando esté completamente cargado.

NOTA: La base de carga se suministra con 2 tornillos y taquetes para asegurarla a una pared, proporcionando estabilidad adicional, como se muestra en la Figura F.

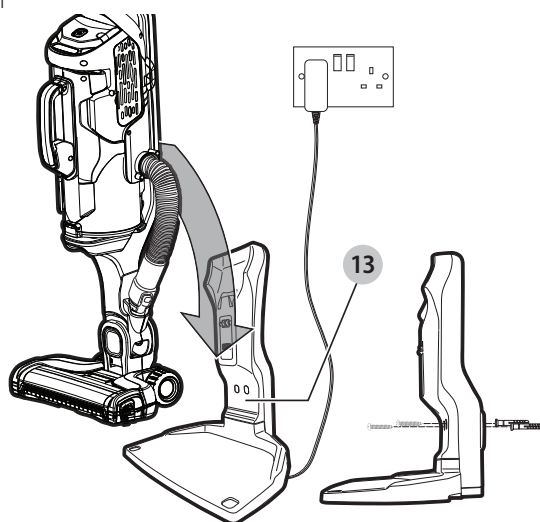
Patrones del LED del sensor de la batería	
	Fallo de la batería (Todas LEDs)
	Fallo de carga (Todas LEDs)
	Battery Hot (Todas LEDs)

⚠ ADVERTENCIA: Antes de cargar, asegúrese de vaciar todo el contenido y seque minuciosamente para evitar daño a su aparato.

- La unidad debe estar apagada para cargar.

NOTA: Mientras carga, el cargador puede volverse caliente al tacto. Esto es normal y no indica un problema. El aparato se puede dejar conectado al cargador

Fig. F



⚠ ADVERTENCIA: No cargue la batería a temperaturas ambientales inferiores 4 °C (39 °F) o superiores a 40 °C (104 °F). Siga todas las instrucciones de carga y no cargue el aparato fuera del rango de temperatura especificado en las instrucciones. Cargar inadecuadamente o en una temperatura fuera del rango especificado puede dañar la batería e incrementar el riesgo de incendio.

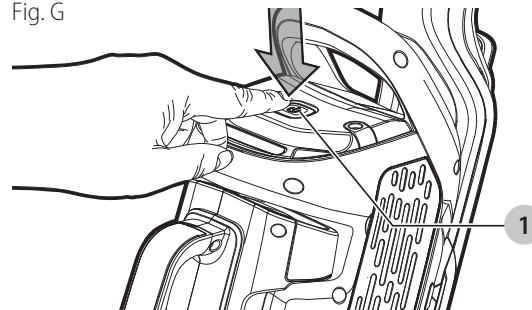
USO

Encendido y apagado (Fig. G)

- Para ENCENDER, presione el interruptor on/off 1. El estado de los LED del indicador de carga se iluminarán y la aspiradora comenzará en modo AUTOSENSE.

- **NOTA:** La unidad arranca en el ajuste de desempeño intermedio.
- Para APAGAR, presione el interruptor on/off 1.
- Regrese el producto al cargador de inmediato después de cada uso de forma que esté listo y completamente cargado para el siguiente uso. Asegúrese que el producto esté completamente conectado con el enchufe del cargador y la base del cargador.

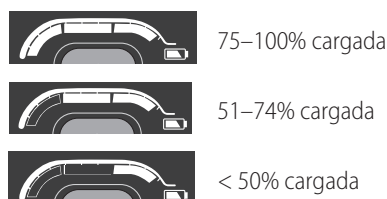
Fig. G



Indicador de estado de carga

Este aparato incluye un indicador de estado de carga que consiste en tres luces LED bancas que indican el nivel de carga restante en la batería. Esta función sólo está activa cuando la aspiradora está encendida.

El indicador de estado de carga es una indicación de los niveles aproximados de carga restantes en el paquete de batería de acuerdo con los siguientes indicadores:



El indicador de batería LED muestra la carga restante y le advierte cuando la batería es baja. El LED final parpadeará continuamente cuando sólo falta 1 minuto de tiempo de operación. Todos los LEDs parpadearán cuando se descargue la unidad.

NOTA: El indicador de estado de carga sólo es una indicación de la carga que queda en la batería. No indica la funcionalidad de la herramienta y está sujeto a variación en base a los componentes del producto, la temperatura y la aplicación del usuario final.

AUTOSENSE (Fig. H)

El aparato está equipado con una función de detección de piso única. Cambiará automáticamente entre los modos de succión alta y baja conforme detecta la superficie que se está aspirando.

- El aparato se predeterminará para usar AUTOSENSE cuando ENCIENDE la unidad.
- Para APAGAR AUTOSENSE, primero ENCIENDA la unidad y presione el botón AUTOSENSE 35 para desactivar la función.

ESPAÑOL

Las funciones incorporadas son:



Botón de toque FLOORENSOR

La tecnología de sensor de piso inteligente incrementa la succión en alfombras y cambia a Modo de Economía para tareas más ligeras, tales como limpieza de piso, al optimizar así el tiempo de operación de la batería esta función está activa cuando el LED está iluminado. Para maximizar el tiempo de operación en todas las superficies, apaga esta función al tocar el área.



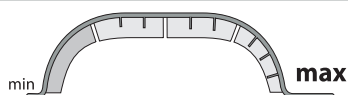
Deslizador de toque de control de energía

El tablero de botón de toque le permite controlar el nivel de energía a la unidad de mínimo a máximo al deslizar el dedo a lo largo de esta área.



Botón de toque de barra de sacudidor

Le permite encender y apagar la función de barra de sacudidor al tocar esta área.



Indicador de energía

Le permite monitorear el nivel de energía que se usa.



Indicador BATTERYSENSOR

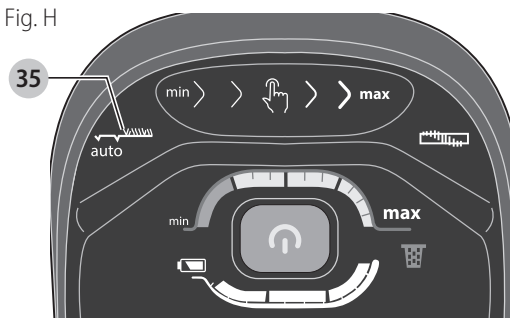
El indicador de batería LED muestra la carga restante y le advierte cuando la batería es baja. El LED final parpadeará continuamente cuando sólo falta 1 minuto de tiempo de operación. Todos los LEDs parpadearán cuando se descargue la unidad.



FILTERSENSOR

La tecnología de sensor inteligente detecta automáticamente (el símbolo se iluminará en rojo) cuando el filtro se obstruya y se necesita limpiar.

Fig. H

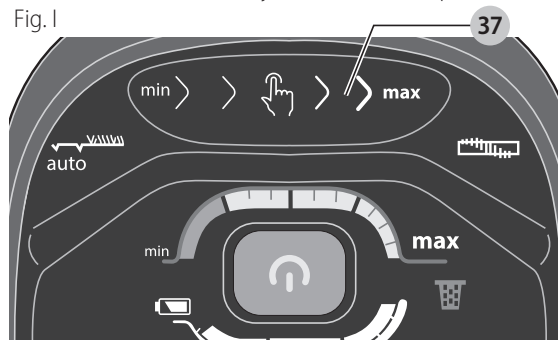


Fuerza de succión ajustable (Fig. I)

Este aparato tiene un deslizador de succión ajustable **37**. La aspiradora se puede ajustar para operar en el menor nivel de succión para extender el tiempo de operación o el mayor nivel de succión para recoger desechos que requieran más potencia.

- Para incrementar la succión, deslice su dedo sobre el deslizador de succión ajustable **37** a la derecha como se muestra en la Figura I. Los LEDs correspondientes en el indicador mín/máx mostrará la fuerza de succión seleccionada.
- Para disminuir la succión, deslice su dedo en el deslizador de succión ajustable **37** a la izquierda.

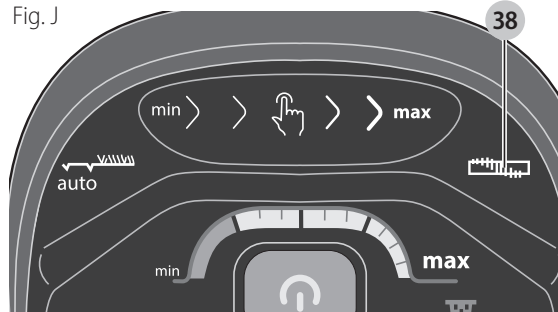
Fig. I



Cepillo giratorio energizado y LED (Fig. J, Z)

- Para activar el cepillo giratorio **39** (Fig. Z) dentro de la cabeza de piso **7**, presione el botón ON/OFF del cepillo giratorio **38** como se muestra en la Figura J. Cuando el cepillo giratorio está encendido, la luz de trabajo LED se iluminará para ver mejor los desechos conforme aspira.
- Para desactivar el cepillo giratorio **39**, presione el botón ON/OFF del cepillo giratorio **38** una segunda vez.

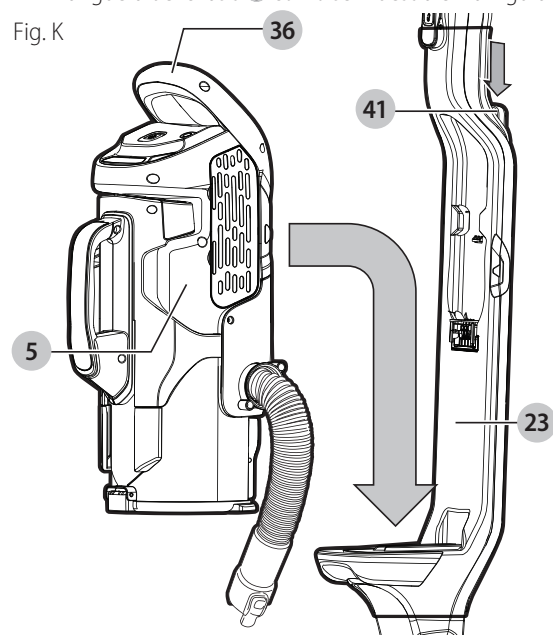
Fig. J



Desinstalación y conexión de depósito extraíble (Fig. K, L)

- Para retirar el depósito extraíble del chasis, presione el botón de liberación del depósito 41 para liberar el depósito extraíble 5 del chasis 23 sostenga la manija extraíble 36 y levante el depósito extraíble 5 como se muestra en la Figura K.
- Libere el conector de la manguera 3 del puerto de manguera del chasis 6 como se muestra en la Figura L.
- Para conectar el depósito extraíble al chasis, sostenga la manija de levantamiento principal 36 y coloque el depósito extraíble 5 sobre el chasis y deslice hacia abajo de forma que el depósito se bloquee en posición como se muestra en la Figura K.
- Conecte el conector de la manguera 3 al puerto de manguera del chasis 6 como se muestra en la Figura L.

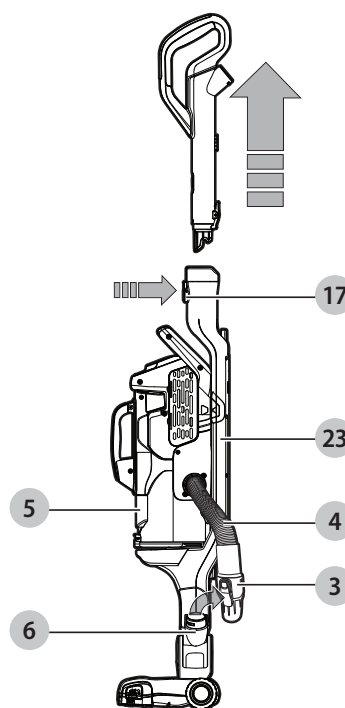
Fig. K



Uso de herramienta de accesorio (Fig. L–O)

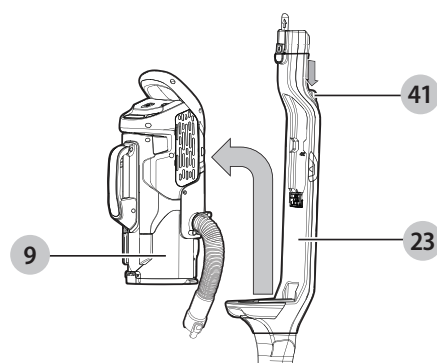
- Presione el botón de liberación de manija/vara principal 17 para liberar la manija/vara principal del chasis 23.
- Libere el conector de la manguera 3 del puerto de manguera del cuerpo principal 6 como se muestra en la Figura L.

Fig. L



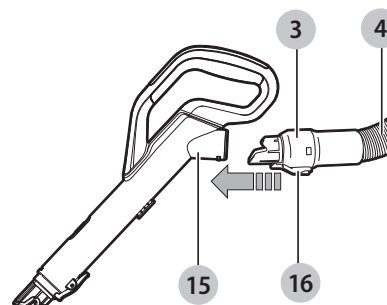
- Presione el botón de liberación del depósito extraíble 41 para liberar y retirar el depósito extraíble 5 del chasis 23 como se muestra en la Figura M.

Fig. M



- Conecte el conector de la manguera 3 al puerto de manguera de herramienta de accesorios 15 asegurando que el seguro 16 haga clic firmemente en su lugar como se muestra en la Figura N.

Fig. N

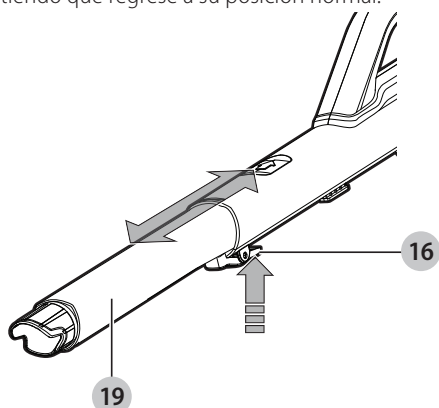


- Extienda la herramienta de fisura 19 como se muestra en la Figura O, hasta que haga clic en su lugar.

ESPAÑOL

- Para retraer la herramienta de fisura **19** presione el botón de liberación de la herramienta de fisura **16** permitiendo que regrese a su posición normal.

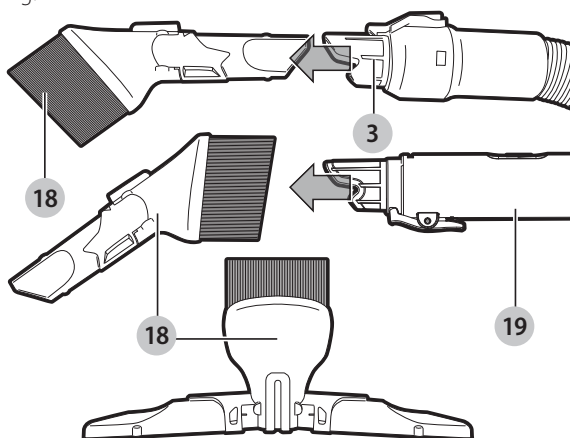
Fig. O



Uso de herramienta de accesorio 3 en 1 (Fig. P)

- La herramienta de accesorio 3 en 1 **18** tiene tres configuraciones.
 - Modo de cepillo.
 - Modo de fisura pequeña.
 - Modo de tapicería.
- La herramienta de accesorio 3 en 1 se puede colocar directamente al conector de la manguera **3** o a la herramienta de fisura extensible **19** como se muestra en la Figura P.

Fig. P



Limpieza y vaciado de aspiradora

⚠ ADVERTENCIA: Peligro de eyección/ para las vías respiratorias: Nunca utilice la aspiradora sin su filtro.

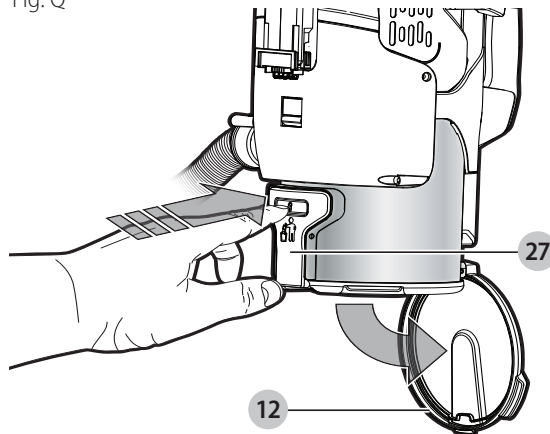
NOTA: El filtro es reutilizable, no lo confunda con una bolsa recolectora de polvo desechable y no lo tire al vaciar el producto. Le recomendamos reemplazar el filtro cada 6 a 9 meses según la frecuencia de uso.

Existen dos métodos de limpieza para el depósito, un método de vaciado rápido y un método de limpieza minuciosa.

Para vaciar el depósito de polvo (Fig. L, M, Q, R)

- Presione el botón de liberación del depósito de polvo **41** para liberar y retirar el depósito extraíble **5** del chasis **23** como se muestra en la Figura M.
- Libere el conector de la manguera **3** del puerto de manguera del cuerpo principal **6** como se muestra en la Figura L

Fig. Q



- Coloque el depósito de polvo sobre una cesta de basura y presione el botón de liberación de la tapa del depósito de polvo **27** para vaciar el depósito como se muestra en la Figura Q.
- Presione la manija de compactación **22** hacia abajo para vaciar el contenido del compartimento de polvo **9** como se muestra en la Figura R.

NOTA: La manija de compactación de polvo **22** también se puede usar para compactar el contenido del depósito de polvo **9**, duplicando la capacidad del depósito de polvo.

- Cierre la tapa del depósito de polvo, hasta que "haga clic" firmemente en posición.

Compactación de contenido de tazón de polvo (Fig. R)

Con la tapa del tazón de polvo **12** cerrada, empuje la manija de compactación **22** hacia abajo para compactar el contenido del tazón de polvo **9** incrementando así la capacidad como se muestra en la Figura R.

Fig. R



Liberación de tazón de polvo (Fig. R-T)

NOTA: El tazón de polvo se puede liberar de la unidad mientras está en el modo de chasis, como se muestra en la Figura S, o cuando se usa en el modo de aspirado del depósito extraíble, como se muestra en la Figura T.

- Presione la palanca de liberación del tazón de polvo **10** hacia abajo para liberar el tazón de polvo.
- Libere el tazón de polvo **9** de la aspiradora de tazón extraíble **5**.

NOTA: El cerrojo **34** asegura que la unidad no pueda arrancar cuando el tazón de polvo **9** no está conectado a la aspiradora de depósito extraíble **5** o cuando la manija de compactación **22** está en operación.

- Utilizando la manija del tazón de polvo **35** y sosteniendo la unidad sobre un receptáculo de desperdicio adecuado, presione el botón de liberación del tazón de polvo **27** para liberar la tapa del tazón de polvo **12** y empujar la manija de compactación **22** hacia abajo para vaciar el contenido del tazón de polvo **9** como se muestra en la Figura R.

Fig. S

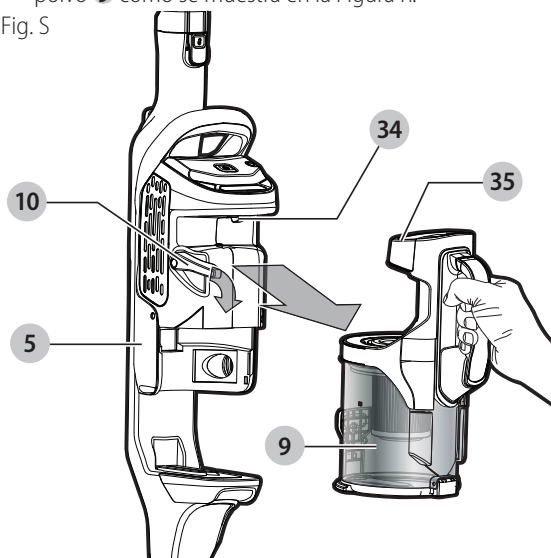
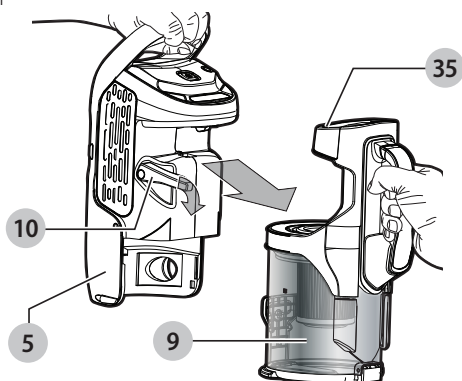


Fig. T



Limpieza de filtros (Fig. S-X)

- Presione la palanca de liberación del compartimento de polvo **10** hacia abajo para liberar el compartimento de polvo como se muestra en la Figura S.
- Mientras sostiene la manija de compactación **22**, levante el ensamble de filtro **28** del tazón de polvo **9**

girando en sentido contrario a las manecillas del reloj como se muestra en la Figura U.

NOTA: Se proporciona un disco con esencia en el empaque de aluminio. Se debe abrir y el disco se debe colocar en la parte inferior del pre-filtro para permitir que se libere un olor placentero cuando el aparato esté en uso.

- El filtro **29** ahora se puede retirar del pre-filtro **30** como se muestra en la Figura V.
- El tazón de polvo se puede separar en dos partes, **9** y **40**, para una limpieza más minuciosa como se muestra en la Figura W.
- Agite o cepille ligeramente cualquier filtro de sacudidor suelto.
- Enjuague el tazón de polvo con agua jabonosa tibia.
- Lave los filtros con agua jabonosa tibia (Fig. X).
- Asegúrese que los filtros estén secos.
- Vuelva a instalar los filtros en el aparato.
- Cierre la tapa del depósito de polvo, hasta que "haga clic" firmemente en posición.

Fig. U

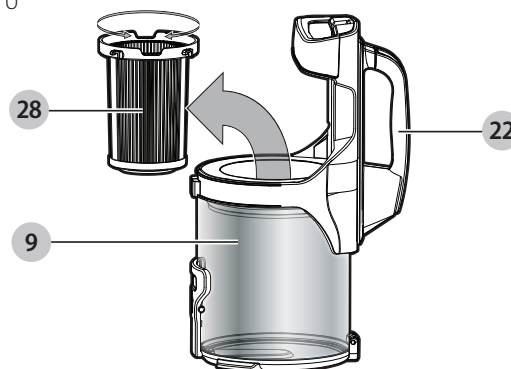


Fig. V

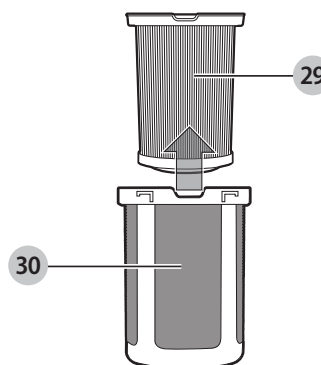
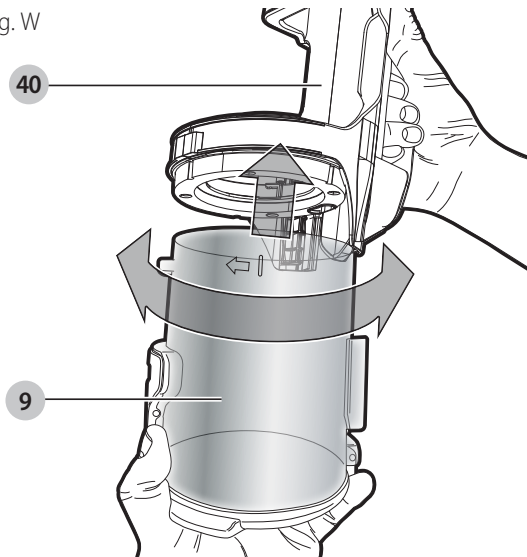
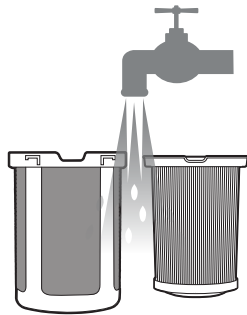


Fig. W



- El depósito de polvo **9** y el filtro se pueden lavar en agua jabonosa tibia. Permite que seque antes de volverlo a poner en la aspiradora.

Fig. X



- Vuelva a instalar los filtros en el aparato y asegúrese que estén asentados correctamente.
- Para volver a colocar el depósito de polvo, colóquelo de nuevo sobre la manija hasta que "haga clic" firmemente en posición.

IMPORTANTE: La recolección máxima de polvo sólo se obtendrá con un filtro limpio y un depósito para polvo vacío. Si el polvo comienza a caer del producto después que se apaga, esto indica que el depósito está lleno y requiere que se vacíe.

- Lave los filtros regularmente utilizando agua jabonosa tibia y asegúrese que estén completamente secos antes de usarlos de nuevo. Mientras más limpio esté el filtro, mejor se desempeñará el producto.
- Es muy importante que el filtro esté correctamente en posición antes del uso.

Retiro y limpieza de cepillos giratorios (Fig. Y, Z)

⚠ ATENCIÓN: Para reducir el riesgo de lesiones a partir de partes móviles, desconecte el depósito extraíble antes limpiar o dar servicio.

- Para retirar la unidad de cepillo giratorio **32** de la cabeza de piso **31** presione el botón de liberación **33** como se muestra en la Figura Y. La unidad del cepillo giratorio saldrá de su posición asegurada.

- El cepillo giratorio **39** ahora se puede retirar. Las piezas de extremo también son removibles para permitirle limpiar los cepillos de cualquier cabello u otros desechos que se puedan haber acumulado como se muestra en la Figura Z.

Fig. Y

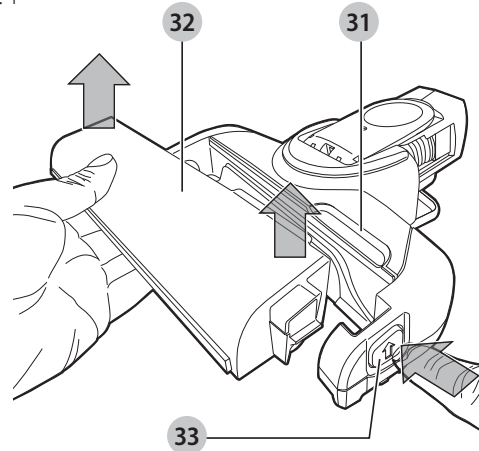
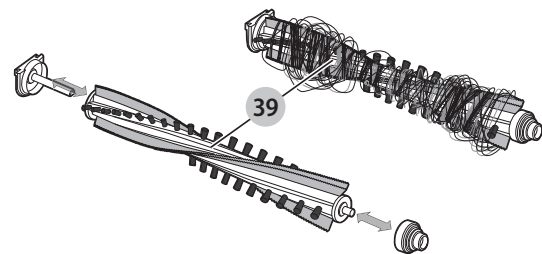


Fig. Z



Reemplazo de los filtros

Los filtros se deben reemplazar cada 6 a 9 meses y cuando estén gastados o dañados. Los filtros de repuesto pueden encontrarse en su distribuidor BLACK+DECKER :

- Retire los filtros viejos como en **Limpieza de filtros**.
- Coloque los filtros nuevos como en **Limpieza de filtros**.

(cat. no: VSPF10LC)

Éstos se ajustan a todas las unidades. Cuando estos filtros alcanzan el fin de su vida útil se deben desechar en un centro de reciclaje local.

Los filtros se suministran en empaque de aluminio que se necesita retirar antes del uso.

Filtro perfumado

ANTES DEL PRIMER USO - saque la bolsa del prefiltro perfumado. Vuelva a montar conforme a las instrucciones indicadas anteriormente. Cuando la aspiradora esté encendida, el filtro de plástico perfumado emitirá un aroma para refrescar el aire.

⚠ ADVERTENCIA:

- Provoca una ligera irritación de la piel
- Tóxico para la vida acuática
- Dañino para la vida acuática con efectos duraderos.

- *Deseche el contenido/los recipientes en una planta aprobada para la eliminación de desechos.*

NOTA: Cuando el filtro de plástico perfumado deje de desprender aroma, puede ser una indicación de que debe cambiarse el filtro.

MANTENIMIENTO

Para limpiar la aspiradora, utilice solo jabón suave y un paño húmedo. Nunca permita que penetre líquido dentro de la aspiradora; nunca sumerja ninguna pieza de la aspiradora en un líquido.

! **ADVERTENCIA:** *Asegúrese de que la aspiradora esté completamente seca antes de utilizarla.*

IMPORTANTE: Para garantizar la SEGURIDAD y CONFIABILIDAD del producto, las reparaciones, el mantenimiento y el ajuste (que no sean aquellos indicados en este manual) deben ser realizados por los centros de mantenimiento autorizados u otras organizaciones de mantenimiento calificadas, siempre utilizando piezas de repuesto idénticas.

DETECCIÓN DE PROBLEMAS

Si el producto no funciona, verifique lo siguiente:

- El cargador se enchufó correctamente para la recarga. (Se siente ligeramente tibio al tacto).
- El cable del cargador no está dañado y está conectado correctamente.
- El cargador está enchufado en un tomacorriente eléctrico que funciona.
- El interruptor está en la posición "OFF" (Apagado) al cargar.

Solamente para Propósitos de México

Para conocer la ubicación del centro de servicio más cercano a fin de recibir ayuda con su producto, visite nuestro sitio Web www.blackanddecker.com.mx o llame a la línea de ayuda BLACK+DECKER al **01 800 847 2309/01 800 847 2312**.

ACCESORIOS

Los accesorios recomendados para uso con el artefacto están disponibles en su distribuidor o centro de mantenimiento autorizado local. Si necesita ayuda con respecto a los accesorios, llame al: **1-800-544-6986**.

! **ADVERTENCIA:** *El empleo de cualquier accesorio no recomendado para uso con este artefacto puede ser peligroso.*

INFORMACIÓN DE MANTENIMIENTO

Todos los Centros de servicio de BLACK+DECKER cuentan con personal altamente capacitado dispuesto a brindar a todos los clientes un servicio eficiente y confiable en la reparación de herramientas eléctricas. Si necesita consejo técnico, reparaciones o piezas de repuesto originales de fábrica, póngase en contacto con el centro de servicio de BLACK+DECKER más cercano a su domicilio. Para ubicar su centro de servicio local, llame al 1-800-544-6986 o visite nuestro sitio www.blackanddecker.com.

GARANTÍA LIMITADA DE DOS AÑOS

Black & Decker (U.S.) Inc. garantiza que este producto está libre de defectos de material o mano de obra durante un período de dos (2) años desde la fecha de compra, siempre y cuando el producto se utilice en un entorno doméstico. Esta garantía limitada no cubre contra fallas debidas a mal uso, daño accidental o cuando se han realizado o intentado reparaciones por parte de cualquier otra persona ajena a BLACK+DECKER y sus centros de mantenimiento autorizados. Un producto defectuoso que cumple con las condiciones de la garantía establecidas en el presente documento será reemplazado o reparado sin costo de una dos maneras:

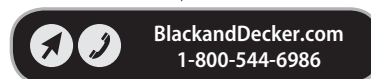
La primera, que únicamente dará lugar a intercambios, consiste en devolver el producto al comerciante minorista donde fue comprado (siempre y cuando la tienda sea un comerciante minorista participante). Las devoluciones deben realizarse dentro del período establecido en la política para intercambios del comerciante minorista. Es posible que se requiera el comprobante de compra. Consulte al comerciante minorista sobre su política específica de devoluciones con respecto a los límites de tiempo para devoluciones o intercambios.

La segunda opción es llevar o enviar (pagado por adelantado) el producto a un centro de mantenimiento de propiedad o con autorización de BLACK+DECKER para su reparación o reemplazo a discreción de BLACK+DECKER. Es posible que se requiera un comprobante de compra. Los centros de mantenimiento de propiedad o con autorización de BLACK+DECKER en línea en www.blackanddecker.com.

Esta garantía no se aplica a los accesorios. Esta garantía le otorga derechos legales específicos y es posible que tenga otros derechos que varían de un estado a otro. En caso de que tenga alguna pregunta, comuníquese con el gerente del centro de mantenimiento de BLACK+DECKER más cercano a usted. Este producto no está diseñado para uso comercial y, en consecuencia, dicho uso comercial de este producto anulará la garantía. Por medio del presente documento, se declina la responsabilidad de todas las demás garantías, explícitas o implícitas.

AMÉRICA LATINA: Esta garantía no se aplica a productos vendidos en América Latina. Para los productos que se venden en América Latina, consulte la información de garantía específica del país contenida en el empaque, llame a la compañía local o visite el sitio web para obtener dicha información.

Importado por Black & Decker (U.S.) Inc.,
701 E. Joppa Rd.
Towson, MD 21286



**· GARANTÍA BLACK+DECKER · BLACK+DECKER WARRANTY
· SOLAMENTE PARA PROPOSITOS DE MEXICO**

Distributor Name · **Sello firma del distribuidor**

Date of purchase · **Fecha de compra**

Invoice No. · No. de factura

PRODUCT INFORMATION · IDENTIFICACIÓN DEL PRODUCTO

Cat. No. · **Catalogo ó Modelo**

Serial Number · No. de serie

Name · **Nombre**

Last Name · Apellido

Address · **Dirección**

City · **Ciudad**

State · Estado

Postal Code · **Código Postal**

Country · País

Telephone · **No. Teléfono**

2 AÑOS DE GARANTIA

Este producto cuenta con dos años de garantía a partir de la fecha de compra contra cualquier defecto de su funcionamiento, así como cualquier falla debido a materiales empleados para su fabricación ó mano de obra defectuosa.

Nuestra garantía incluye la reparación o reposición del producto y/o componentes sin cargo alguno para el cliente incluyendo la mano de obra, esta incluye los gastos de trasportación erogados para lograr cumplimiento de esta garantía en los domicilios diversos señalados.

Para hacer efectiva esta garantía deberá presentar su herramienta y esta póliza sellada por el establecimiento comercial donde se adquirió el producto.

Nos comprometemos a entregar el producto en un lapso no mayor a 30 días hábiles contados a partir de la fecha de recepción del mismo en nuestros talleres de servicio autorizados.

ESTA GARANTIA NO APLICA CUANDO:

El producto se hubiese utilizado en condiciones distintas a las normales.

El producto no hubiese sido operado de acuerdo con el instructivo de uso que se acompaña.

El producto hubiese sido alterado o reparado por personas no autorizadas por nosotros.

Importador: Black & Decker S.A. de .C.V

Bosque de Cidros Acceso Radiatas No.42

3ra.Seccion de Bosques de las lomas

C.P.05120, Mexico, D.F. Tel: (01 55) 5326 7100

SOLAMENTE PARA PROPOSITOS DE MEXICO

Grupo Realsa en herramientas, S.A. de C.V.

Súper Manzana 69 MZ.01 Lote 30
(Av. Torcasita)
Col. Puerto Juárez
Cancún, Quintana Roo
Tel. 01 998 884 72 27

Ferre Pat de Puebla, S.A. de C.V.

16 de Septiembre No. 6149
Col. El Cerrito
Puebla, Puebla
Tel. 01 222 264 12 12

Ferre Pat de Puebla, S.A. de C.V.

Ejército Mexicano No. 15
Col. Ejido 1ro. de Mayo
Boca del Rio, Veracruz
Tel. 01 229 167 89 89

Servicio de Fabrica BLACK+DECKER, S.A. de C.V.

Lázaro Cardenas No. 18
Col. Obrera
Distrito Federal
Tel. 55 88 95 02

Representaciones Industriales Robles, S.A. de C.V.

Tezozomoc No. 89
Col. La Preciosa
Distrito Federal
Tel. 55 61 86 82

Gpo. Comercial de Htas. y Refacciones de Occidente, S.A. de C.V.

Av. La Paz No. 1779
Col. Americana, S. Juárez
Guadalajara, Jalisco
Tel. 01 33 38 25 69 78

Herramientas y Equipos Profesionales

Av. Colón 2915 Ote.
Col. Francisco I. Madero
Monterrey, Nvo. León
Tel. 01 81 83 54 60 06

Htas. Portátiles de Chihuahua, S.A. de C.V.

Av. Universidad No. 2903
Col. Fracc. Universidad
Chihuahua, Chihuahua
Tel. 01 614 413 64 04

Fernando González Armenta

Bolivia No. 605
Col. Felipe Carrillo Puerto
Cd. Madero, Tamaulipas
Tel. 01 833 221 34 50

Perfiles y Herramientas de Morelia

Gertrudis Bocanegra No. 898
Col. Ventura Puente
Morelia, Michoacán
Tel. 01 443 313 85 50

Enrique Robles

Av. de la Solidaridad No. 12713
Col. La Pradera
Irapuato, Guanajuato
Tel. 01 462 626 67 39

Hernández Martinez Jeanette

Prolongación Corregidora Nte. No. 1104
Col. Arboledas
Queretaro, Qro.
Tel. 01 442 245 25 80

PARA OTRAS LOCALIDADES LLAME AL 01 800 847 2309 o 01 800 847 2312.

BLACK & DECKER S.A. DE C.V.
BOSQUES DE CIDROS ACCESO RADIATAS NO. 42
COL. BOSQUES DE LAS LOMAS.
05120 MÉXICO, D.F
TEL. (01 55) 5326 7100
01 800 847 2309/01 800 847 2312

Black & Decker (U.S.) Inc.
701 East Joppa Road, Towson, MD 21286
Part No. N493459rev02
HCUA525J, HCUA525JA, HCUA525JP, HCUA525BA, HCUA525JPC
JULY 2017

Copyright © 2017 BLACK+DECKER