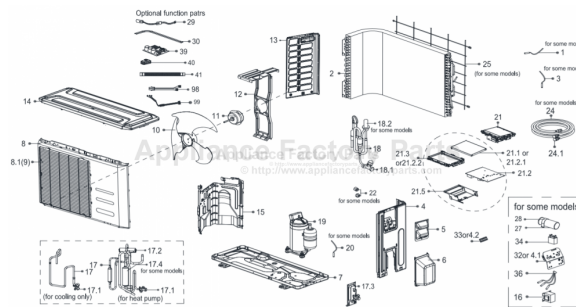


This Owner's Manual is provided and hosted by Appliance Factory Parts.



COMFORT-AIRE A-DVH12SG-1 Owner's Manual

**Shop genuine replacement parts for COMFORT-AIRE
A-DVH12SG-1**



Find Your COMFORT-AIRE HVAC Parts - Select From 1486 Models

----- Manual continues below -----

Comfort-Aire®

Century®

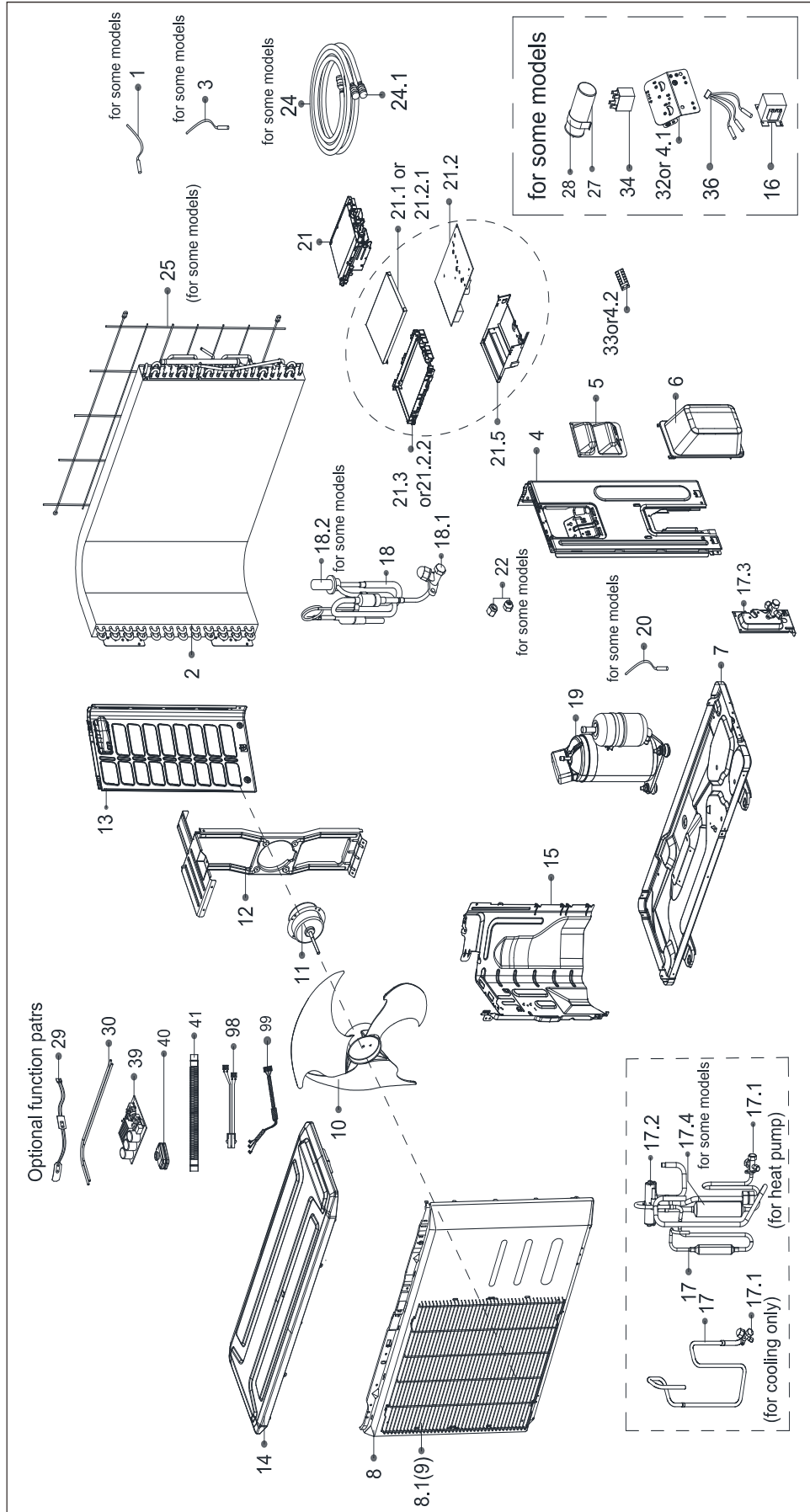
MARS
Delivering Confidence

REPLACEMENT PARTS LIST

**Single Zone Inverter Mini-Split
Outdoor Condenser**

A-DVH12SG-1

EXPLODED VIEW



REPLACEMENT PARTS

Location	Part Name	Quantity	Part No.
2	Condenser assembly	1	15822000008251
4	Right clapboard assembly	1	12222000005745
5	Big handle assembly	1	12222000010966
6	Water collector	1	12122000007150
7	Chassis assembly	1	12222000005062
8	Front panel assembly	1	12222000004463
9	Air outlet grille	1	12222000007424
10	Axial flow fan	1	12100105000003
11	Brushless DC Motor	1	11002015008264
12	Supporter subassembly of fan motor	1	12222000009444
13	Left side plate assembly of cabinet	1	12222000008484
14	Top cover assembly	1	12222000002451
15	Partition board assembly	1	12222000003984
17	4-way valve assembly	1	15422000018294
17.1	Gas valve	1	15500204000058
17.2	4-way valve	1	15500216000028
17.3	Valve plate	1	12222000002571
17.4	Muffler subassembly	1	15122000026896
18	Liquid valve assembly	1	15422000004913
18.1	Liquid valve	1	15500208000028
19	DC Inverter rotary compressor	1	11103020005082
21	Electronic control box subassembly	1	17222000029825
21.2	Outdoor main control board subassembly	1	17122000044663
21.2.1	Cover of electronic control box	1	12222000001455
21.2.2	Support of electronic control box	1	12122000006913
21.5	Electronic installing box subassembly	1	12222000001311
22	Copper nut	1	15500406000012
22	Copper nut	1	15500406000016
25	Rear net	1	12222000003622
29	Crankcase electric heating strip	1	17402001000600
30	Electric heating tube	1	17402002000464
32	Terminal board	1	12222000002259
33	Terminal	1	17400401000075
36	Combination Sensor	1	11201011000067
41	Drain pipe	1	12100509000059
99	Compressor wire subassembly	1	17401203000802

Due to ongoing product improvements, specifications and dimensions are subject to change and correction without notice or incurring obligations. Determining the application and suitability for use of any product is the responsibility of the installer. Additionally, the installer is responsible for verifying dimensional data on the actual product prior to beginning any installation preparations.

Incentive and rebate programs have precise requirements as to product performance and certification. All products meet applicable regulations in effect on date of manufacture; however, certifications are not necessarily granted for the life of a product. Therefore, it is the responsibility of the applicant to determine whether a specific model qualifies for these incentive/rebate programs.

Comfort-Aire®  **Century**®

1900 Wellworth Ave., Jackson, MI 49203 • Ph. 517-787-2100 • www.marsdelivers.com

