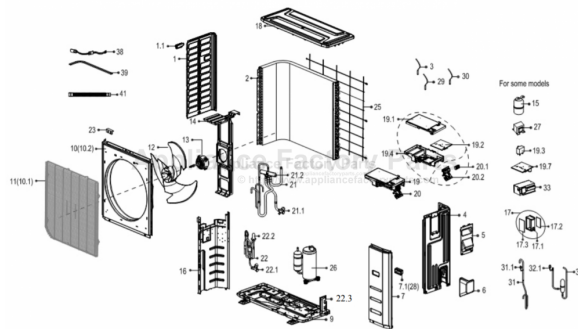


This Owner's Manual is provided and hosted by [Appliance Factory Parts](#).



COMFORT-AIRE A-VMH24SU-1 Owner's Manual

[Shop genuine replacement parts for COMFORT-AIRE
A-VMH24SU-1](#)



[Find Your COMFORT-AIRE HVAC Parts - Select From 1486 Models](#)

----- Manual continues below -----

Comfort-Aire®

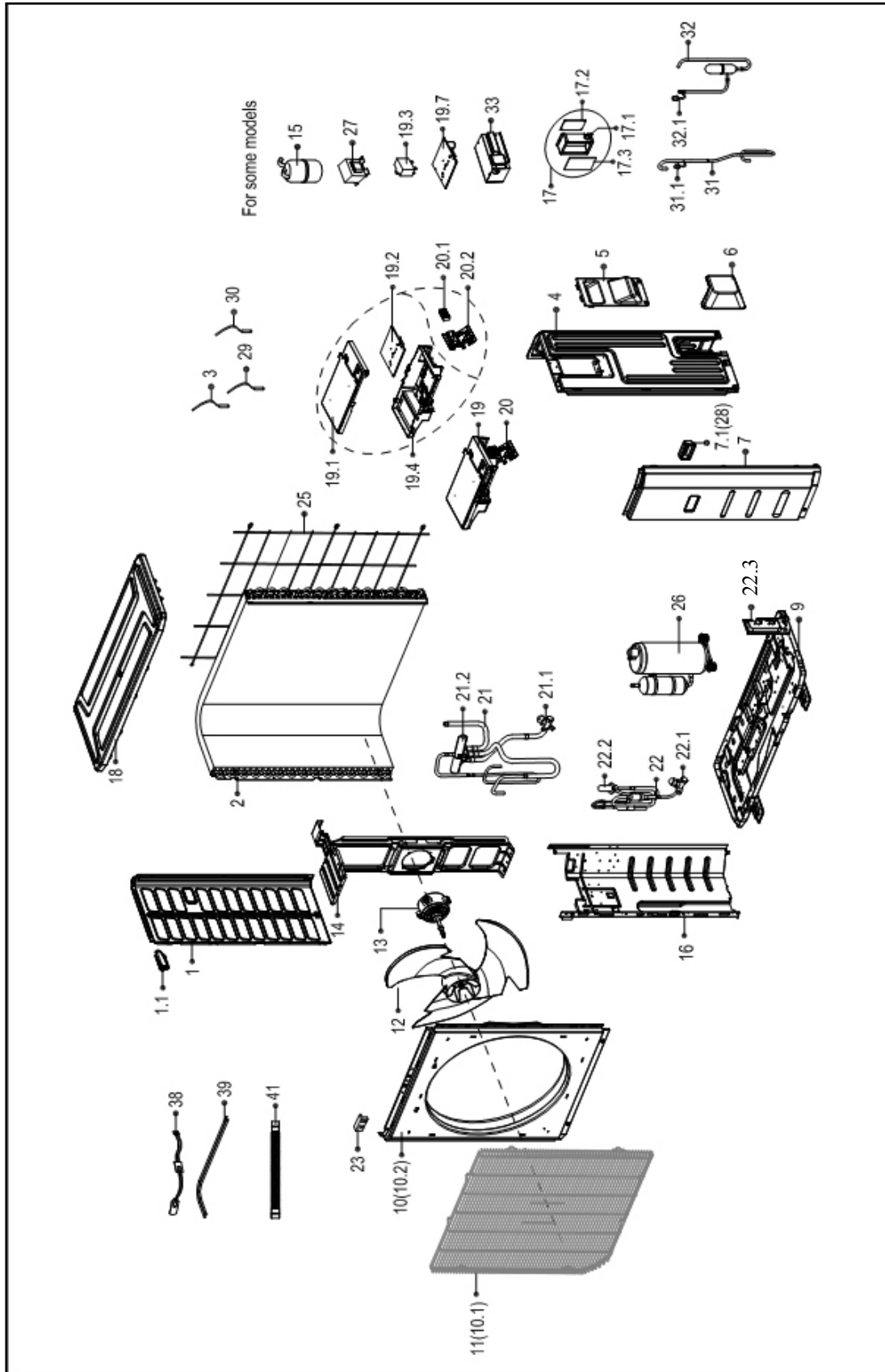
Century®

PARTS LIST

**Inverter Single Zone
Outdoor Ductless Mini-Split**

A-VMH24SU-1

EXPLODED VIEW



REPLACEMENT PARTS

| Location | Part Name | Quantity | Part No. |
|----------|---------------------------------------|----------|----------------|
| 1 | Left side plate assembly of cabinet | 1 | 12222000006665 |
| 1.1 | Small handle | 1 | 12100701000033 |
| 2 | Condenser assembly | 1 | 15822300000086 |
| 3 | Pipe temperature sensor assembly | 1 | 11201007000006 |
| 4 | Rear right clapboard assembly | 1 | 12222000006664 |
| 5 | Big handle | 1 | 12222000004019 |
| 6 | Line set connection cover | 1 | 12122200002695 |
| 7 | Front right clapboard assembly | 1 | 12222500000633 |
| 7.1 | Handle | 1 | 12100702000038 |
| 9 | Chassis assembly | 1 | 12222000004762 |
| 10 | Front panel | 1 | 12222000004983 |
| 11 | Air outlet grille | 1 | 12222200000907 |
| 12 | Axial flow fan | 1 | 12100105000084 |
| 13 | Fan motor | 1 | 11002015000247 |
| 14 | Supporter assembly of fan motor | 1 | 12222000005162 |
| 16 | Partition board assembly | 1 | 12222200001158 |
| 18 | Top cover assembly | 1 | 12222500000587 |
| 19 | Electronic control box assembly | 1 | 17222000007413 |
| 19.1 | Cover of electronic control box | 1 | 12122200002719 |
| 19.2 | Outdoor main control board assembly | 1 | 17122000016001 |
| 19.4 | Electronic installing box | 1 | 12122200002715 |
| 19.7 | Inverter control board assembly | 1 | 17122000015997 |
| 20 | Terminal board assembly | 1 | 17222000014908 |
| 20.1 | Wire joint | 1 | 17400401000037 |
| 20.2 | Terminal board | 1 | 12222200001476 |
| 21 | 4-way valve assembly | 1 | 15422000003952 |
| 21.1 | Gas valve | 1 | 15500204000025 |
| 21.2 | 4-way valve | 1 | 15500216000361 |
| 21.4 | Suction assembly | 1 | 15122000010254 |
| 21.5 | Discharge assembly | 1 | 15122000010256 |
| 22 | liquid valve assembly | 1 | 15422000003309 |
| 22.1 | Liquid valve | 1 | 15500204000021 |
| 22.2 | Electronic expansion valve | 1 | 15500213000265 |
| 22.3 | Valve plate | 1 | 12222200002110 |
| 23 | Clamp of front net | 8 | 12122000006844 |
| 25 | Rear net | 1 | 12222000006604 |
| 26 | Compressor | 1 | 11103020000179 |
| 29 | Discharge temperature sensor assembly | 1 | 11201007000157 |
| 30 | Ambient temperature sensor assembly | 1 | 11201007000039 |
| 38 | Crankcase electric heater | 1 | 17402001000119 |
| 39 | Electric heater of chassis | 1 | 17402002000043 |
| 41 | Drain pipe | 1 | 12100509000059 |

Due to ongoing product improvements, specifications and dimensions are subject to change and correction without notice or incurring obligations. Determining the application and suitability for use of any product is the responsibility of the installer. Additionally, the installer is responsible for verifying dimensional data on the actual product prior to beginning any installation preparations.

Incentive and rebate programs have precise requirements as to product performance and certification. All products meet applicable regulations in effect on date of manufacture; however, certifications are not necessarily granted for the life of a product. Therefore, it is the responsibility of the applicant to determine whether a specific model qualifies for these incentive/rebate programs.

Comfort-Cire®  **Century**®

1900 Wellworth Ave., Jackson, MI 49203 • Ph. 517-787-2100 • www.marsdelivers.com


Delivering Confidence