

This Owner's Manual is provided and hosted by [Appliance Factory Parts](#).



FANTECH FTC463854 Owner's Manual

**[Shop genuine replacement parts for FANTECH
FTC463854](#)**

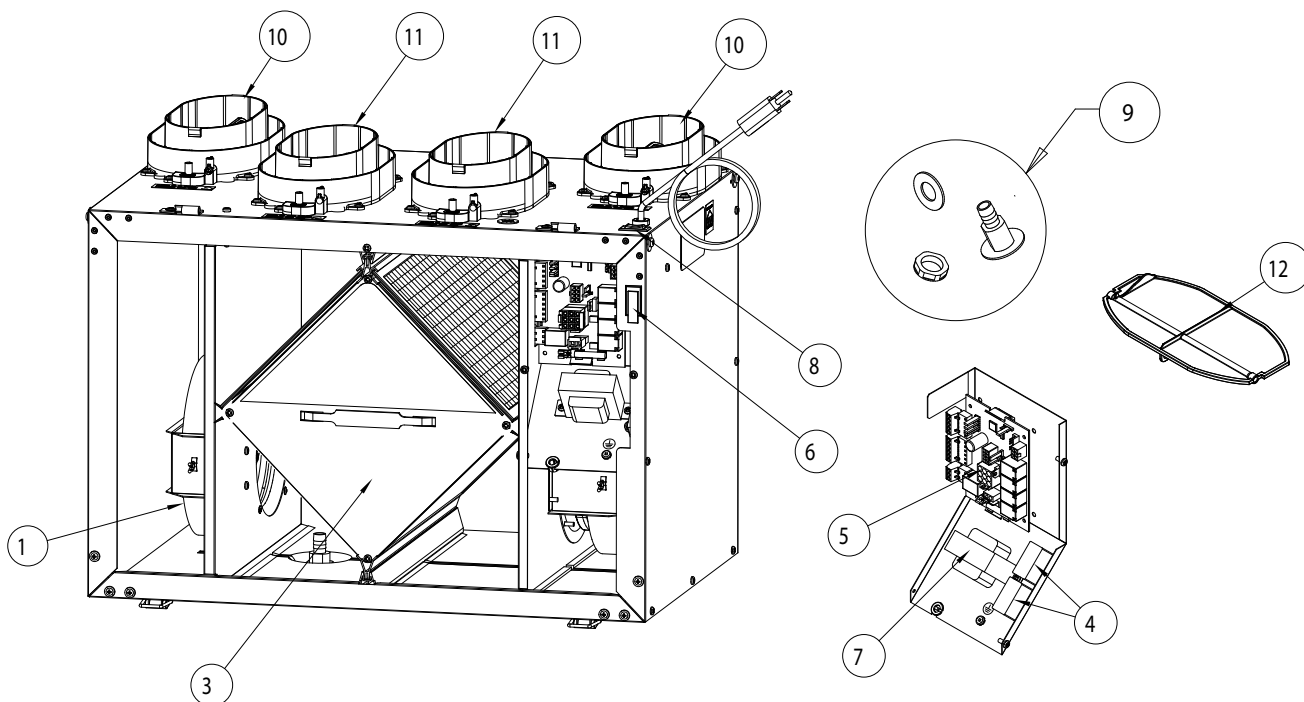


[Find Your FANTECH Fan Parts - Select From 108 Models](#)

----- Manual continues below -----

VHR150 - 463854

Heat Recovery Ventilator/Ventilateur récupérateur de chaleur



BOM #	Description	VHR150 (463854)
1	R2E190 Radical,Mini,Rep.Kit	428515
2	Electrostatic Filters Kit 8.5" x 15"	402041
3	Heat Recovery Cell 9" x 9" x 15"	427675
4	Capacitors 8uF	410012
5	Kit,RV-CTRL Replacement,Board	428252
6	Door Switch	410867
7	Auto-Transformer	411963
8	Control Switch	410213
9	Kit Drain Plug	40315
10	Collar 6", Oval, w/Stop	413893
11	Collar 6", Oval, wo/Stop	413894
12	Damper Door, VHR150R	420462
	Temperature Probe	40286
	Door Assembly	445100
	Kit, Chain	404261
	Kit, Wall Bracket	426466
	KIT, FILTER, 2XMERV6, 8.5"X15	414647
	Wiring Diagram	445299
	Installation Manual	445305