

This Owner's Manual is provided and hosted by [Appliance Factory Parts](#).



FANTECH FTC40304 Owner's Manual

[Shop genuine replacement parts for FANTECH
FTC40304](#)



[Find Your FANTECH Fan Parts - Select From 108 Models](#)

----- Manual continues below -----

FB 6 Inline Filter Box MERV13

6" inline filter box w/MERV13 filter

Item #: 40304

Variant: MERV13

- MERV13 filter
- Used for airflows up to 176 cfm
- 6" diameter plastic duct connections
- Neoprene door seal
- Access door removed with thumb screws

Application

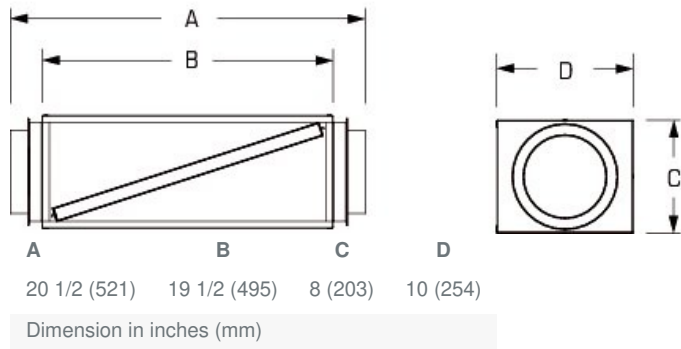
Building sciences research has shown that highly efficient filtration of the outside air before it is delivered to the home is one of the best ways to reduce the level of particles suspended in your home's air. The FB6 unit features an 80-90% efficiency filter designed to meet the air filtration efficiency criteria required to gain points toward certification in the Leadership in Energy and Environmental Design (LEED) Green Building rating system.



Technical parameters

FILTER	
Filter class, supply air	MERV13
Dimensions and weights	
Duct dimension; Circular, inlet	6 in.
Duct dimension; Circular, outlet	6 in.
Weight	11.5 lb
Optional	
Duct connection type	Circular

Dimensions



Accessories

- Filter, MERV13, FB6, Repl.kit (40390)

Documents

- 402690 FB6 Spec Sheet EN.pdf