

This Owner's Manual is provided and hosted by [Appliance Factory Parts](#).



FANTECH FTC463870 Owner's Manual

[Shop genuine replacement parts for FANTECH
FTC463870](#)

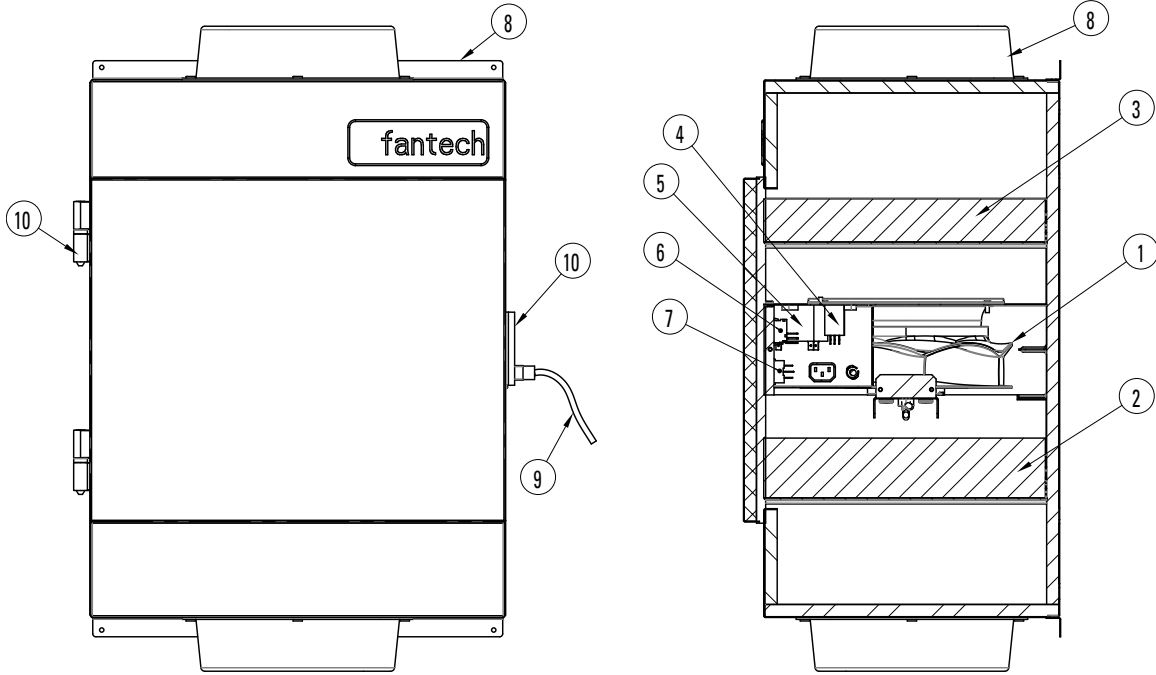


[Find Your FANTECH Fan Parts - Select From 108 Models](#)

----- Manual continues below -----

HERO HS300

Whole House Filtration/Système de filtration central



BOM #	Description	HERO HS300 (463870)
1	Motor Assembly	463137
2	HEPA Filter	463048
3	Pre-filter with Carbon	463046
4	Capacitor, 10µF	410040
5	Capacitor, 30µF	412303
6	Door Switch	463114
7	Rocker Switch	463138
8	8" Collar Mount Kit	463085
9	Power Cord	463104
10	Door Hinge & Latch kit	463090
	Wiring Diagram	463832
	Installation Manual	463882