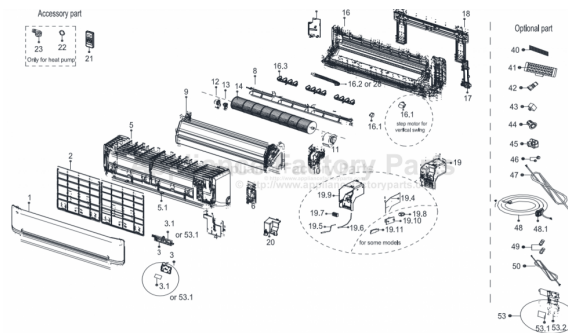


This Owner's Manual is provided and hosted by [Appliance Factory Parts](#).



COMFORT-AIRE B-DVH24SG-1 Owner's Manual

[Shop genuine replacement parts for COMFORT-AIRE
B-DVH24SG-1](#)



[Find Your COMFORT-AIRE HVAC Parts - Select From 1486 Models](#)

----- Manual continues below -----

Comfort-Aire®

Century®

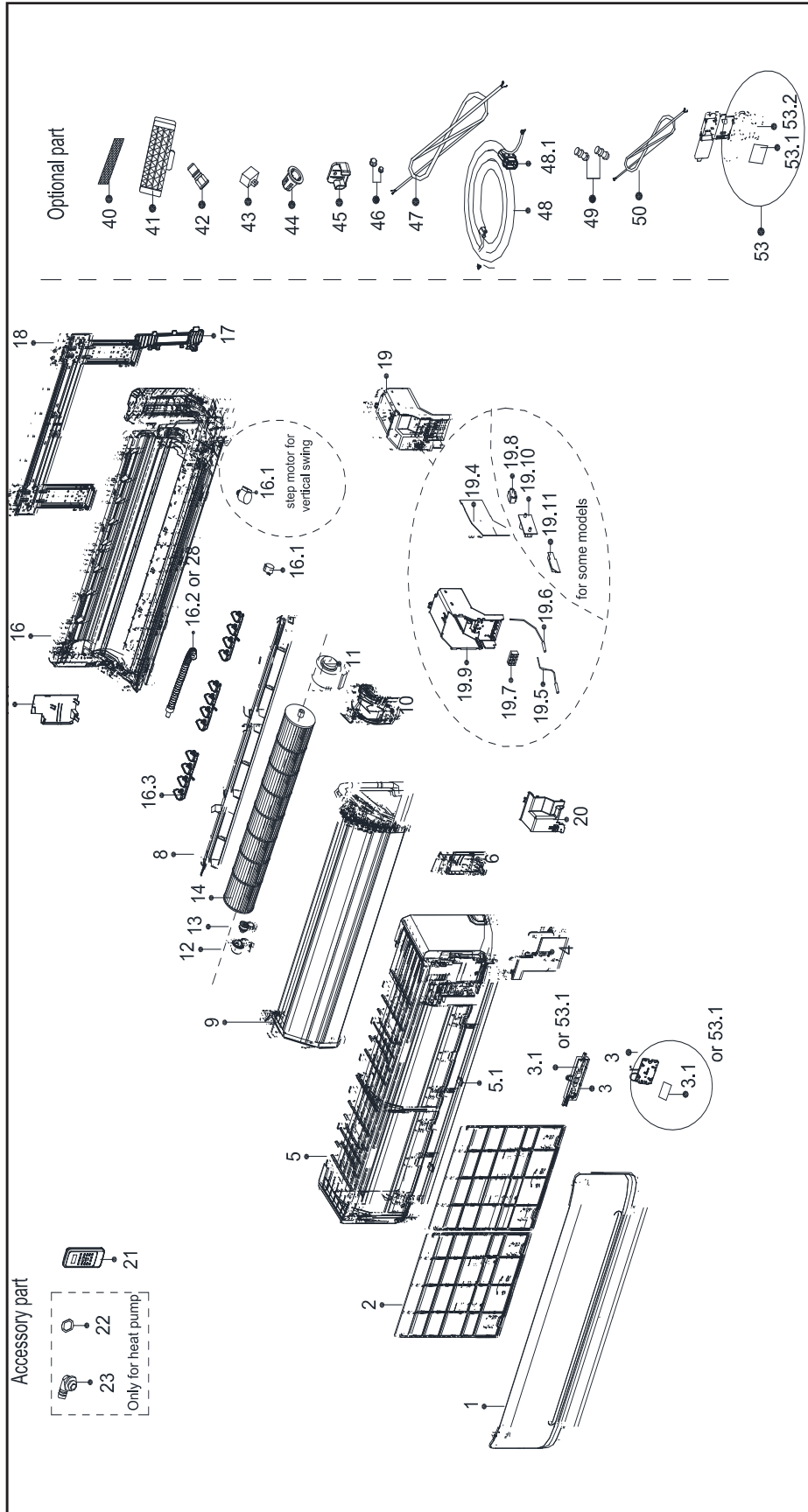
MARS®
Delivering Confidence

REPLACEMENT PARTS LIST

Single Zone Ductless Mini-Split with Inverter Technology

B-DVH24SG-1

EXPLODED VIEW



REPLACEMENT PARTS

Location	Part Name	Quantity	Part No.
1	Panel assembly	1	12122000A78231
2	Air filter	2	12100204000461
4	Cover of electrical equipment	1	12122000006733
5	Panel frame assembly	1	12122000001956
5.1	Screw Cap	2.0	12122000008242
6	Front cover of chassis(right)	1	12122000004608
8	Horizontal louver	1	12122000006335
9	Evaporator assembly	1	15822000008721
10	Fan motor cover	1	12122000005512
11	Brushless DC Motor	1	11002015008646
12	Bearing holder	1	12122000000350
13	Bearing base	1	12622000000006
14	Cross flow fan	1	12100102000018
16	Chassis assembly	1	12122000011879
16.1	Stepper motor	1.0	11002010000049
16.3	Horizontal louver	3.0	12122000000135
16.4	Front cover of chassis	1.0	12122000004614
17	pipe clamp board	1	12122000012942
18	Installation Plate	1	12222000003595
19	Electronic control box subassembly (Mid-and low-end)	1	17222000028514
19.4	Main control board subassembly	1.0	17122000045121
19.5	Room temperature sensor	1.0	11201007003425
19.6	Pipe Temperature Sensor	1.0	11201007003445
19.7	Terminal	1.0	17400401000006
19.9	Electronic control box	1.0	12122000020327
20	Cover of electronic control box	1	12122000005024
21	Remote controller	1	17317000A51872
22	seal ring	1	12600701000039
23	Drain hose	1	12100509000061
28	Drain hose	1	12100501000032
40	Filter	2	12100207000131
42	Detection valve	1	15500209000002
45	Bracket of remote Controller	1	12117000002114
46	Copper nut	1	15500406000010
46	Copper nut	1	15500406000003
53	Display box subassembly	1	17222000A07066
53.1	Display board subassembly	1.0	17122000A07845
53.2	Display box	1.0	12122000A03192
53.1	Display board subassembly	1.0	17122000A07845
53.2	Display box	1.0	12122000A03192

Due to ongoing product improvements, specifications and dimensions are subject to change and correction without notice or incurring obligations. Determining the application and suitability for use of any product is the responsibility of the installer. Additionally, the installer is responsible for verifying dimensional data on the actual product prior to beginning any installation preparations.

Incentive and rebate programs have precise requirements as to product performance and certification. All products meet applicable regulations in effect on date of manufacture; however, certifications are not necessarily granted for the life of a product. Therefore, it is the responsibility of the applicant to determine whether a specific model qualifies for these incentive/rebate programs.



1900 Wellworth Ave., Jackson, MI 49203 • Ph. 517-787-2100 • www.marsdelivers.com

